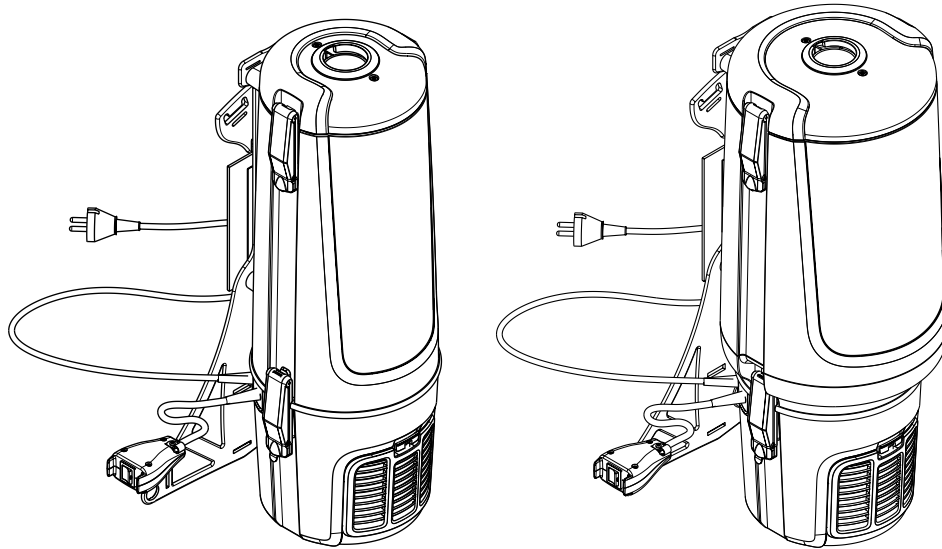


08-02	Clarke Comfort Pak 6, Comfort Pak 10	823 0101 020	
TABLE OF CONTENTS SERVICE KIT / SPARE PARTS			1



DESCRIPTION	PLAN
Motor and motor parts	2
Electrical parts	4
Container parts	6
Straps	8
Filters	10
Nozzles 1.5 Inch, 38 mm	12
Tubes, 1.5 Inch, 38 mm	14
Wiring diagram	16
Service information	17
Warranty information	18

WHEN ORDERING PARTS

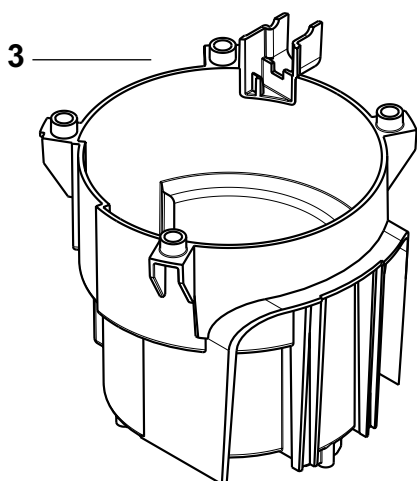
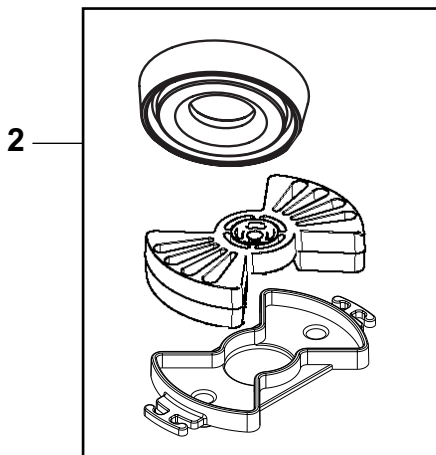
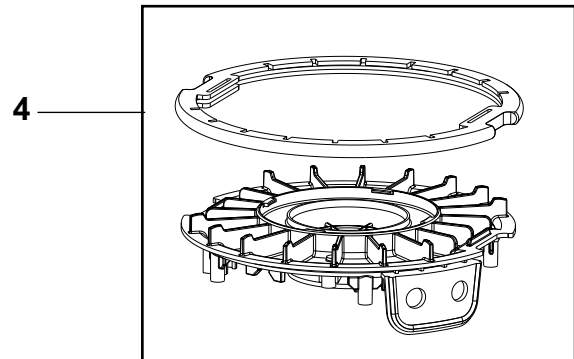
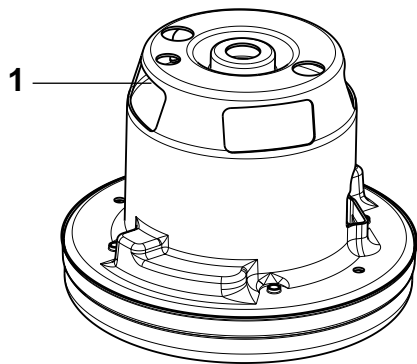
- * Use the digit numbers from the "Part No." columns in this spare parts list.
- * Specify the model and serial number of the machine.
- * Use the space below to record the model and serial number for future reference.

Model _____ Serial no. _____

Clarke reserves the right to make changes or improvements to its machine without notice.
Always use genuine Clarke Parts for repair.

Clarke® , 2100 Highway 265, Springdale, Arkansas 72764.

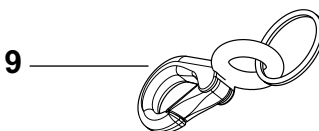
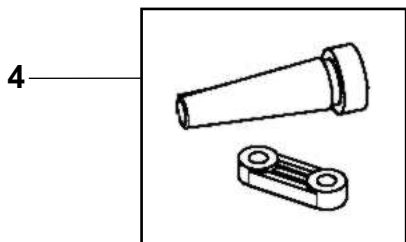
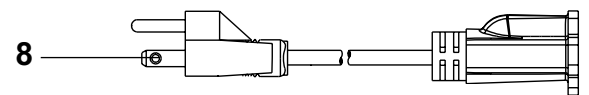
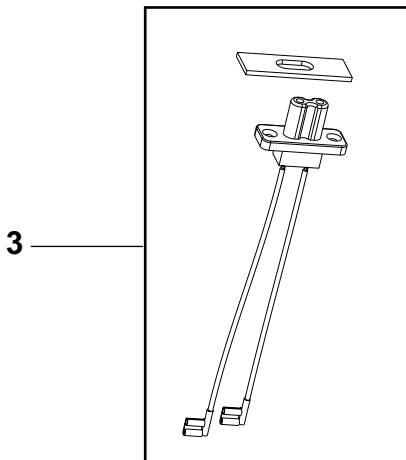
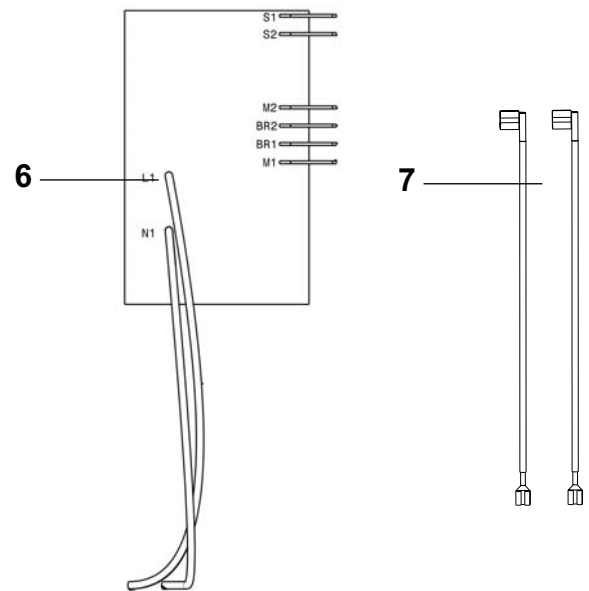
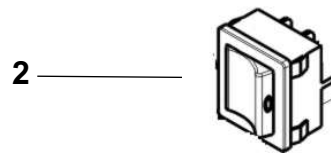
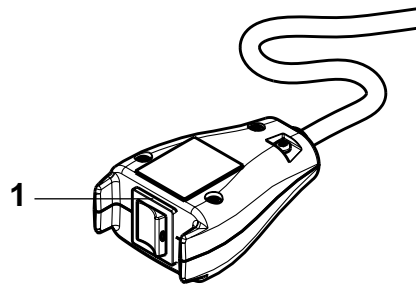




08-02	Clarke Comfort Pak 6, Comfort Pak 10	823 0101 020		
	MOTOR AND MOTOR PARTS			3

Item	Part No.	Qty.	Description	Note
1	147 1109 500	1	Fan unit 100 -120V, 1300W	
2	147 1111 500	1	Motor suspension kit	
3	147 1088 510	1	Motor cover, UL-approved	
4	147 1086 510	1	Chassis, UL-approved	



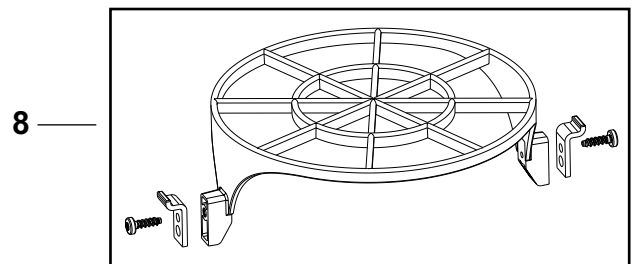
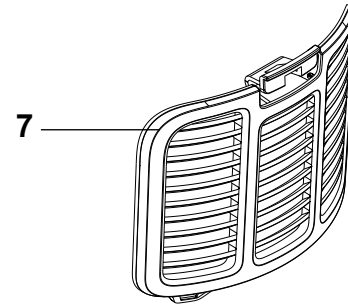
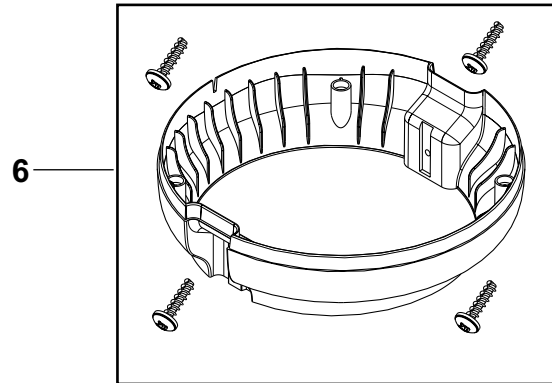
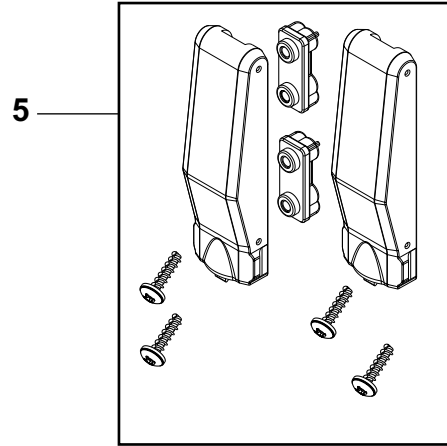
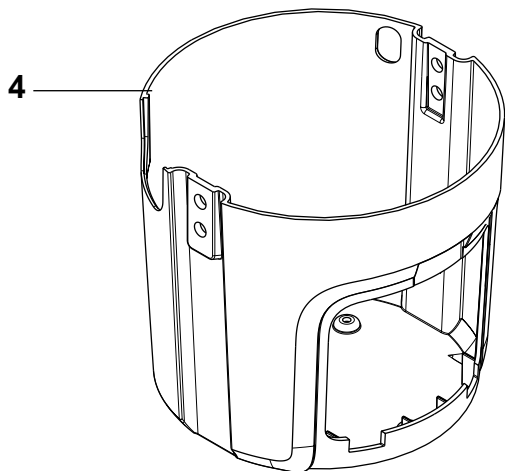
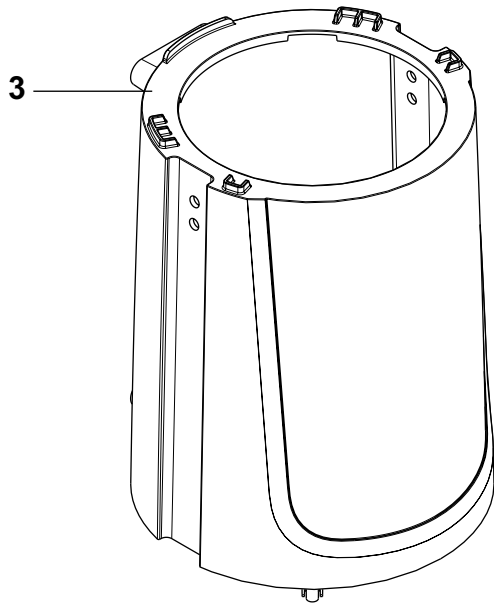
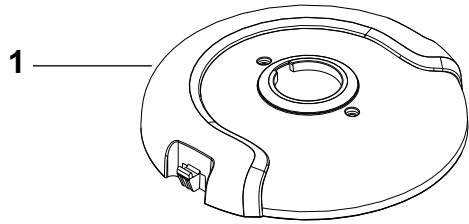


08-02	Clarke Comfort Pak 6, Comfort Pak 10	823 0101 020		
	ELECTRICAL PARTS			5

Item	Part No.	Qty.	Description	Note
1	147 1105 500	1	Switch cpl.	
2	140 5496 510	1	Switch	
3	140 8497 530	1	Connector	
4	140 7035 510	1	Sleeve kit	Anti strain clip incl.
5	140 3859 500	1	Cord set US/TW plug, machine end	1.3 ft (400 mm)
6	147 1231 510	1	Curcuit board 100-120V	
7	140 7042 520	1	Internal wire kit	2 Wires incl.
8	147 1243 500	1	Cord extension	50 ft (15.5 m) Colour: Yellow. 16 AWG
9	147 1346 500	1	Anti strain snap hook	

Clarke[®]

CONTAINER PARTS

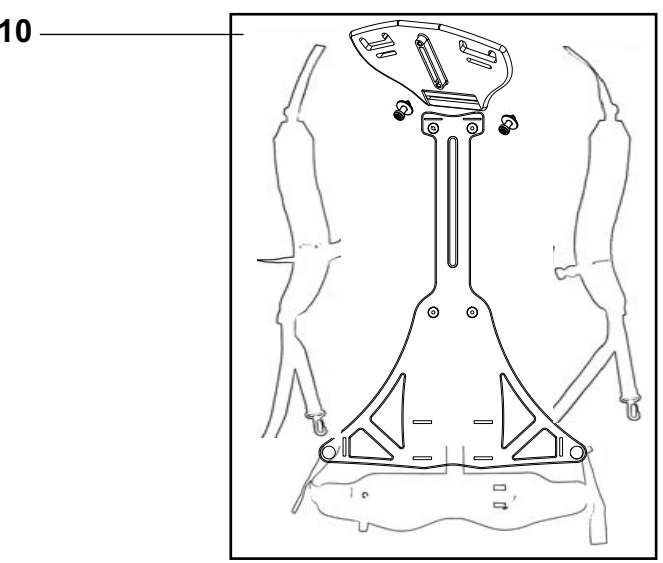
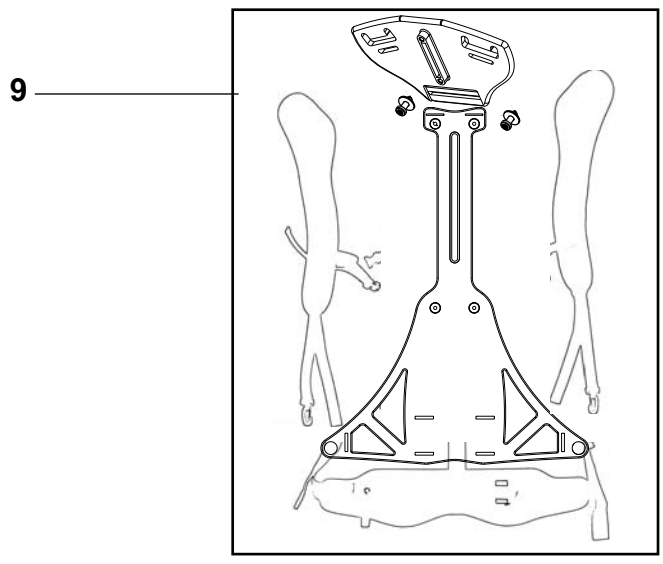
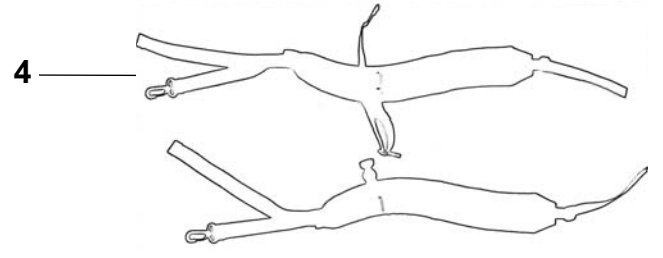
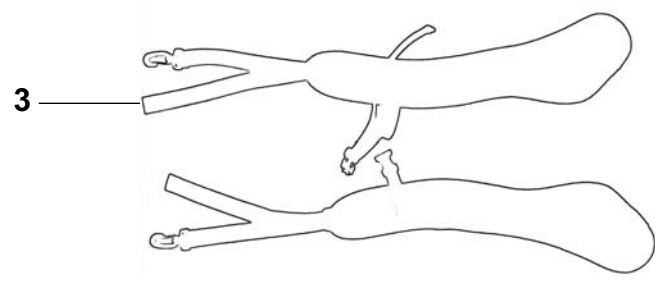
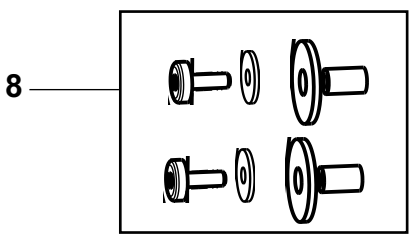
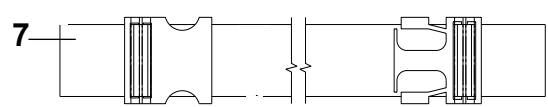
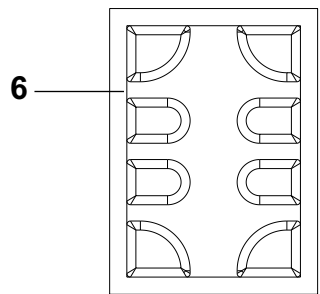
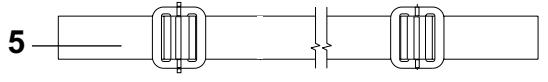
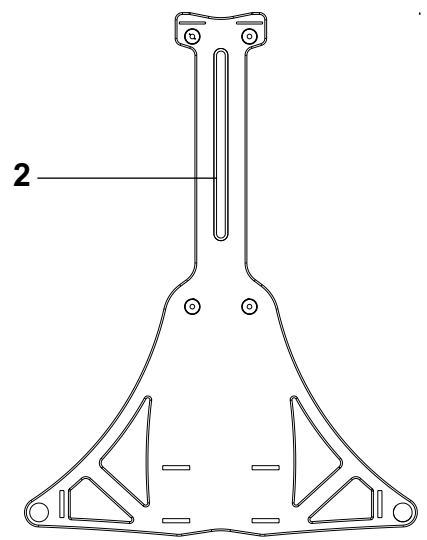
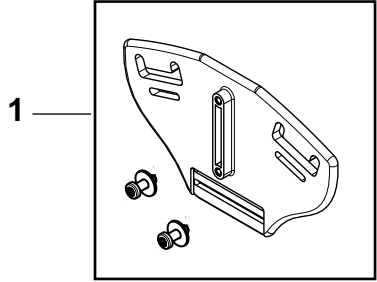


08-02	Clarke Comfort Pak 6, Comfort Pak 10	823 0101 020		
	CONTAINER PARTS			7

Item	Part No.	Qty.	Description	Note
1	147 1077 510	1	Outer lid, for Comfort Pak 6	Blue
1	147 1080 510	1	Outer lid, for Comfort Pak 10	Blue
3	147 1076 510	1	Container, for Comfort Pak 6	Blue
3	147 1079 510	1	Container, for Comfort Pak 10	Blue
4	147 1075 540	1	Cover outer, UL-approved	
4	147 1075 550	1	Cover outer, power outlet, UL-approved	Gasket incl.
5	147 1101 500	1	Latch kit	2 latches, screws and screw towers.
6	147 1078 510	1	Adapter, for Comfort Pak 10	Blue. Screws incl.
7	147 1082 510	1	Grid exhaust	Blue
8	147 1115 500	1	Basket sack filter	Hooks and screws incl.

Clarke[®]

STRAPS PARTS

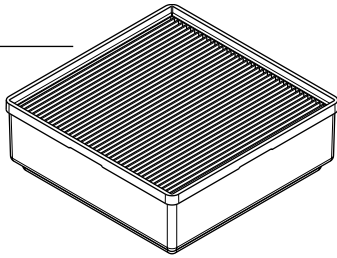


08-02	Clarke Comfort Pak 6, Comfort Pak 10	823 0101 020		
	STRAPS PARTS			9

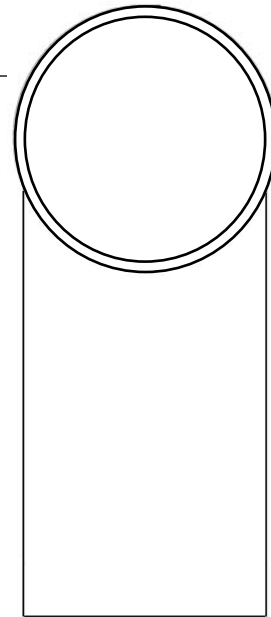
Item	Part No.	Qty.	Description	Note
1	147 1092 500	1	Adjusting plate	
2	147 1091 500	1	Harness support	
3	147 1246 500	1	Harness premium	Screws and washers incl.
4	147 1090 500	1	Harness standard	
5	147 1247 500	1	Lifting strap	
6	147 1248 500	1	Padding, back plate	
7	147 1249 500	1	Extension belt	L=400 mm
8	147 1246 600	1	Screw kit	For harness premium
9	147 1246 510	1	Harness premium cpl.	
10	147 1090 510	1	Harness standard cpl.	

Clarke[®]

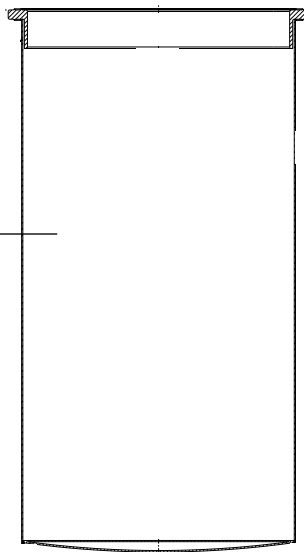
1



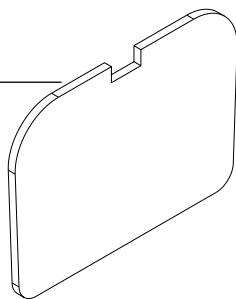
4



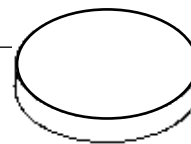
2



3



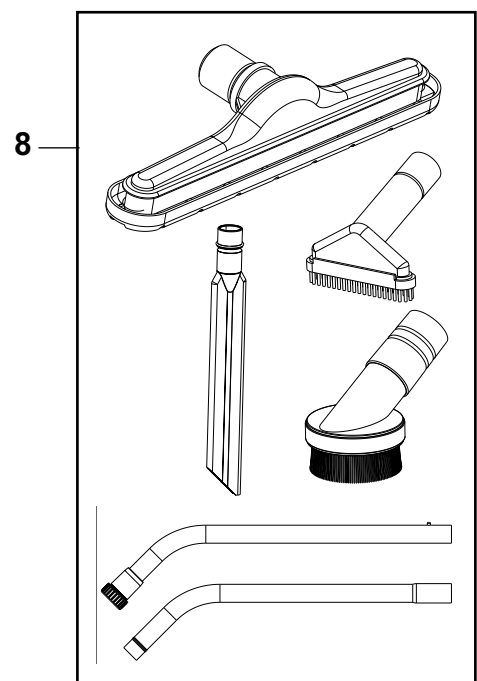
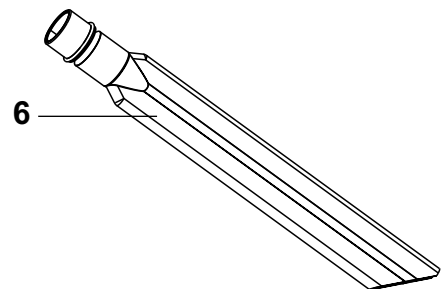
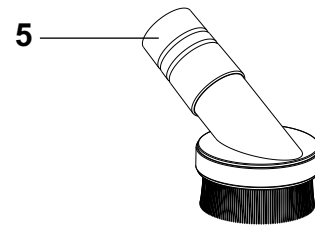
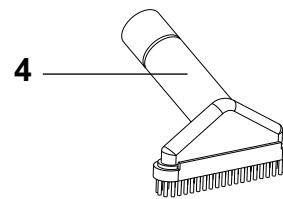
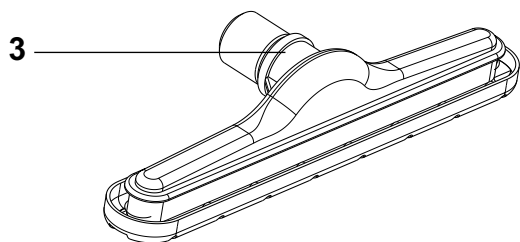
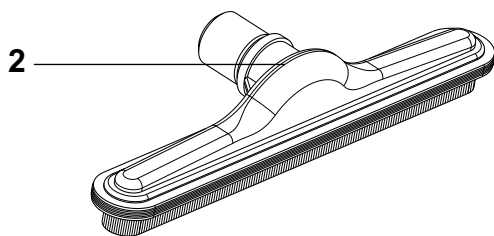
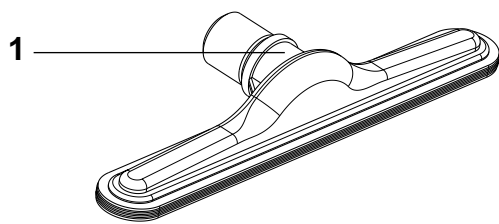
5



08-02	Clarke Comfort Pak 6, Comfort Pak 10	823 0101 020		
	FILTERS			11

Item	Part No.	Qty.	Description	Note
1	147 1104 500	1	HEPA-filter cpl.	
2	147 1100 500	1	Sack filter, for Comfort Pak 6	
2	147 1099 500	1	Sack filter, for Comfort Pak 10	
3	147 1089 500	1	Exhaust filter	3 pcs.
4	147 1098 500	1	Dustbag, for 6XP (1.3 Gallon, 5L)	5 pcs.
4	147 1097 500	1	Dustbag, for Comfort Pak 10 (2.6 Gallon, 10 L)	5 pcs.
5	147 1095 500	1	Prefilter	3 pcs.

Clarke[®]



08-02	Clarke Comfort Pak 6, Comfort Pak 10	823 0101 020		
	NOZZLES Ø 1.5 Inch, 38 mm			13

Item	Part No.	Qty.	Description	Note
1	147 1383 520	1	Scallop carpet floor tool	
2	147 1383 510	1	Hard floor brush tool	
3	147 1383 500	1	Quick-Glide multi surface floor tool	
4	147 1384 500	1	Upholstery tool	
5	147 1385 500	1	Dust tool	
6	147 1386 500	1	Crevice tool	
7	140 7547 500	1	Paddle nozzle	
8	147 1388 500	5	Standard accessory kit	Kit with Item # 3,4,5,6 and a S-wand.

Clarke[®]

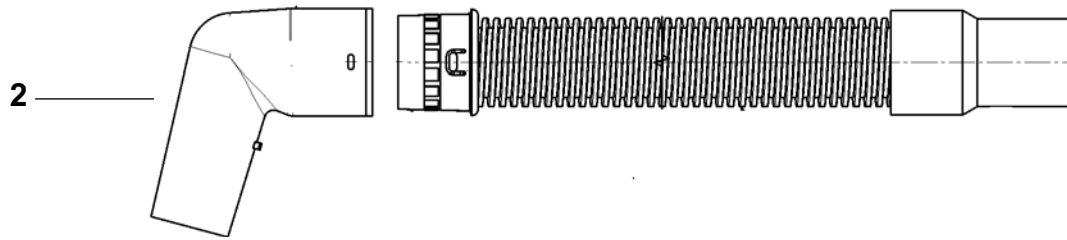
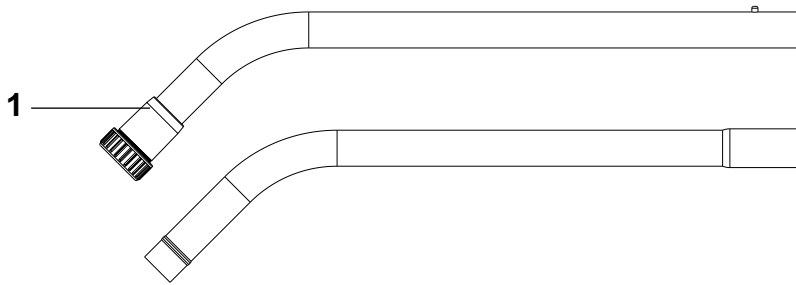
823 0101 020

Clarke Comfort Pak 6, Comfort Pak 10

08-02

14

TUBE, HOSE Ø 1.5 Inch, 38 mm



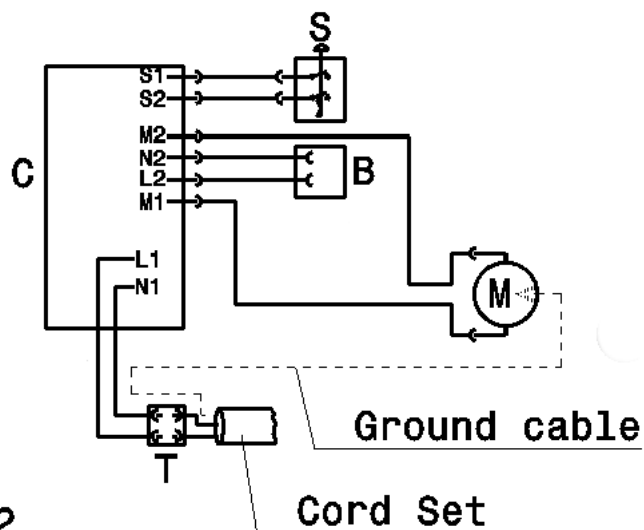
08-02	Clarke Comfort Pak 6, Comfort Pak 10	823 0101 020		
	TUBES, HOSE Ø 1.5 Inch, 38 mm			15

Item	Part No.	Qty.	Description	Note
1	147 1387 500	1	S-wands	Aluminium
2	147 1237 500	1	Hose cpl. 49 in. (1250 mm)	



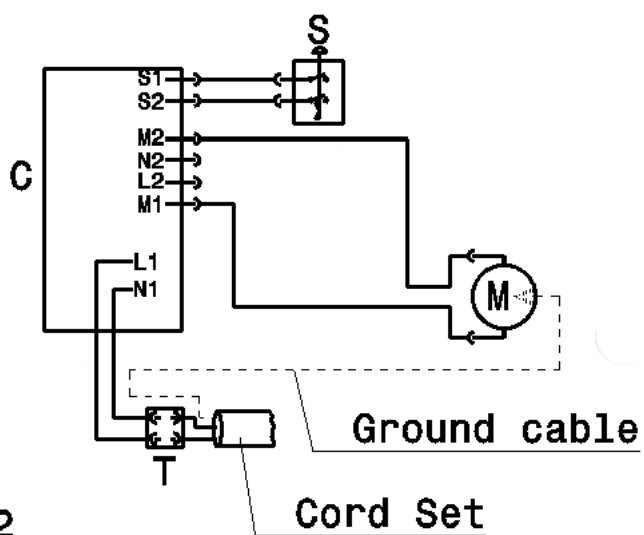


- M Fan Unit
- S Switch
- T Terminal Block
- B Power Outlet
- C Circuit Board S2



Model Comfort Pak 10, with power outlet

- M Fan Unit
- S Switch
- T Terminal Block
- B Power Outlet
- C Circuit Board S2



Model Comfort Pak 6, no power outlet

08-02	Clarke Comfort Pak 6, Comfort Pak 10	823 0101 020		
	Service information			17

U. S. A. Locations

PRODUCTION FACILITIES

Clarke®, Springdale, Arkansas
 2100 Highway 265
 Springdale, Arkansas 72764
 (479) 750-1000
Customer Service - 1-800-253-0367
Technical Service - 1-800-356-7274

American Lincoln®, Bowling Green, Ohio 43402
 1100 Haskins Road

SERVICE FACILITIES

Clarke®, Elk Grove, Illinois 60007
 2280 Elmhurst Road
 (847) 956-7900

Clarke®, Denver, Colorado 80204
 1955 West 13th Ave.
 (303) 623-4367

Clarke®, Houston, Texas 77040
 7215 North Gessner Road
 713-937-7717

SERVICE AND SALES FACILITY

American Lincoln® / Clarke, Madison Heights,
 Michigan 48071-0158
 29815 John R.
 (810) 544-6300

American Lincoln® / Clarke, Marietta, Georgia 30066
 1455 Canton Road
 (770) 973-5225

SALES AND DISTRIBUTION CENTER

Clarke®, Secaucus, NJ 07094
 74 Henry Street
 (201) 864-5503

Clarke®
Clarke American Sanders
A.L. Cook
Customer Service Headquarters and Factory
 2100 Highway 265
 Springdale, Arkansas 72764
 (479) 750-1000

Technical Service
 1-800-356-7274

European Locations

PRODUCTION FACILITIES

ALTO Danmark A/S, Aalborg
 Blytaekkervej 2
 DK-9000 Aalborg
 +45 72 18 21 00

ALTO Danmark A/S, Hadsund
 Industriksvarteret
 DK-9560 Hadsund
 +45 72 18 21 00

SALES SUBSIDIARIES

ALTO U.S. - Canada, Ontario (Canada)
 4080 B Sladeview Crescent Unit 1
 Mississauga, Ontario L5L 5Y5
 (905) 569-0266

ALTO Overseas Inc., Sydney (Australia)
 1B/8 Resolution Drive
 Caringbah NSW 2229
 +61 2 9524 6122

ALTO Cleaning Systems Asia Pte Ltd., Singapore
 No. 17 Link Road
 Singapore 619034
 +65 268 1006

ALTO Deutschland GmbH, Bellenberg (Germany)
 Guido-Oberdorfer-Straße 2-8
 89287 Bellenberg
 +49 0180 5 37 37 37

ALTO Cleaning Systems (UK) Ltd., Penrith
 Gilwilly Industrial Estate
 Penrith
 Cumbria CA11 9BN
 +44 1768 868 995

ALTO France S.A. Strasbourg
 B.P. 44, 4 Place d'Ostwald
 F-67036 Strasbourg
 Cedex 2
 +33 3 8828 8400

ALTO Nederland B.V.
 Postbus 65
 3370 AB Hardinxveld-Giessendam
 The Netherlands
 +31 184 677 200

ALTO Sverige AB, Molndal (Sweden)
 Aminogatan 18
 Box 4029
 S-431 04 Molndal
 +46 31 706 73 00

ALTO Norge A/S, Oslo (Norway)
 Bjørnerudveien 24
 N-1266
 +47 2275 1770

Clarke®

Clarke® US WARRANTY

This Clarke Industrial/Commercial Product is warranted to be free from defects in materials and workmanship under normal use and service for a period of two years (tank warranted for 5 years) from the date of purchase, when operated and maintained in accordance with Clarke's Maintenance and Operations instructions.

This warranty is extended only to the original purchaser for use of the product. It does not cover normal wear parts such as electrical cable, rubber parts, hoses and motor brushes.

If difficulty develops with the product, you should:

- (a). Contact the nearest authorized Clarke repair location or contact the Clarke Service Operations Department, 2100 Highway 265, Springdale, Arkansas 72764, for the nearest authorized Clarke repair location. Only these locations are authorized to make repairs to the product under this warranty.
- (b). Return the product to the nearest Clarke repair location. Transportation charges to and from the repair location must be prepaid by the purchaser.
- (c). Clarke will repair the product and or replace any defective parts without charge within a reasonable time after receipt of the product.

Clarke's liability under this warranty is limited to repair of the product and/or replacement of parts and is given to purchaser in lieu of all other remedies, including INCIDENTAL AND CONSEQUENTIAL DAMAGES.

THERE ARE NO EXPRESS WARRANTIES OTHER THAN THOSE SPECIFIED HEREIN. THERE ARE NO WARRANTIES WHICH EXTEND BEYOND THE DESCRIPTION OF THE FACE HEREOF. NO WARRANTIES, INCLUDING BUT NOT LIMITED TO WARRANTY OF MERCHANTABILITY, SHALL BE IMPLIED. A warranty registration card is provided with your Clarke product. Return the card to assist Clarke in providing the performance you expect from your new floor machine.

**Clarke reserves the right to make changes or improvements to its machine without notice.
Always use genuine Clarke Parts for repair.**

Clarke®

2100 Highway 265
Springdale, Arkansas, 72764

08-02	Clarke Comfort Pak 6, Comfort Pak 10	823 0101 020		
				19

Clarke[®]

**Clarke reserves the right to make changes or improvements to its machine without notice.
Always use genuine Clarke Parts for repair.**

Clarke[®]

**2100 Highway 265
Springdale, Arkansas, 72764**