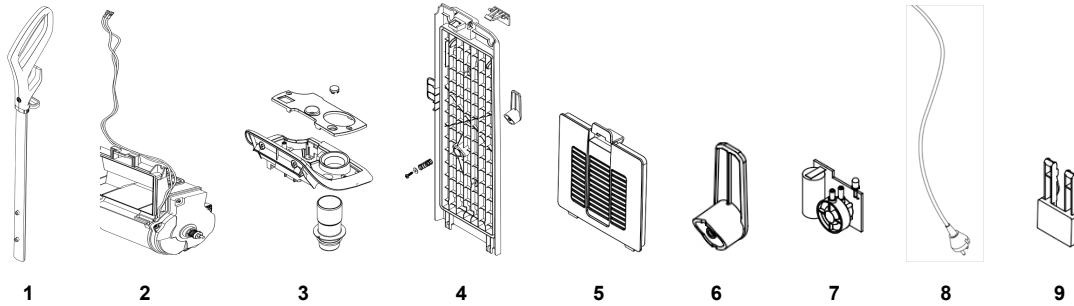


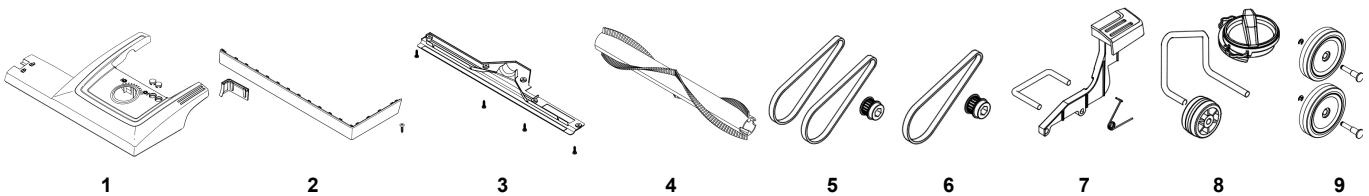


# CarpetMaster® Upright Vacuums



## BODY

#	Description	CarpetMaster 112	CarpetMaster 115	CarpetMaster 212	CarpetMaster 215	CarpetMaster 218
		Parts Number				
1	Handle			147 0833 500		
2	Motor Cassette			147 0984 510		
3	Top Cover - Carrying Handle			147 0842 510		
4	Dust Lid			147 0857 510		
5	Cover Exhaust Filter Blue			147 0965 510		
6	Cord Hook			147 0852 500		
7	"Dust Bag Full" Indicator			147 0987 500		
8	Yellow 15M Cord Set			147 3859 640		
9	Main Power Switch			140 5496 510		

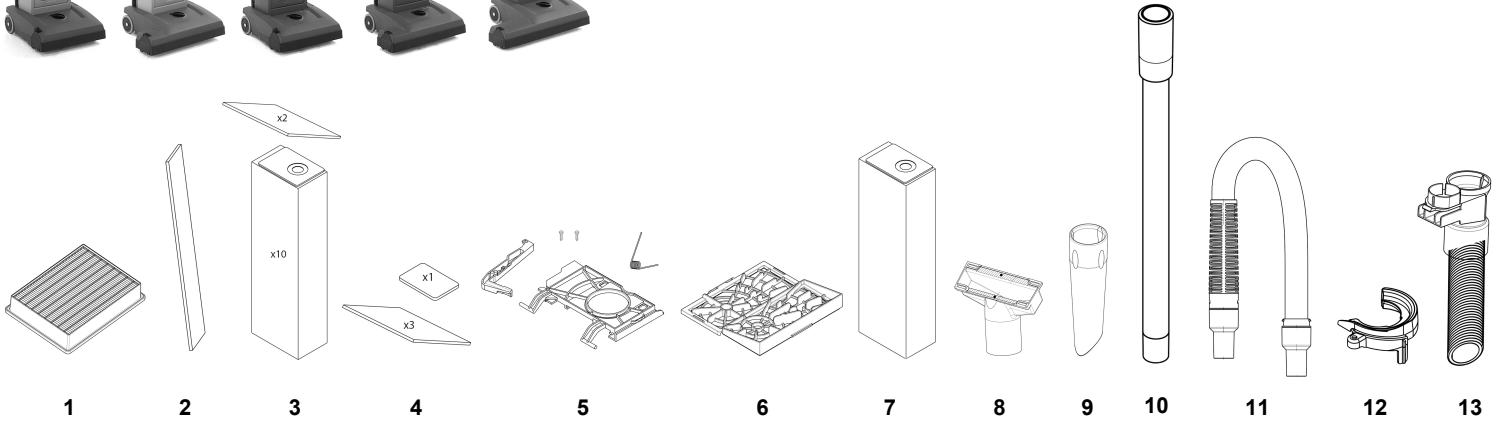


## BASE

#	Description	CarpetMaster 112	CarpetMaster 115	CarpetMaster 212	CarpetMaster 215	CarpetMaster 218
		Parts Number				
1	Cover Brush House Blue	147 0924 510	147 0925 510	147 0924 610	147 0925 610	147 0926 510
2	Bumper Kit	147 0886 500	147 0889 500	147 0886 500	147 0889 500	147 0892 500
3	Brush Shoe	147 0988 500	147 0989 500	147 0988 500	147 0989 500	147 0990 500
4	Brush	147 0930 500	147 0930 510	147 0930 500	147 0930 510	147 0930 520
5	Drive Belt		147 0905 500			
6	Drive Belt				147 0905 510	
7	Pedal			147 0935 500		
8	Brush Height Adjustment			147 0901 500		
9	Wheel Kit			147 0898 500		



## CarpetMaster® Upright Vacuums



### BAGS, FILTERS AND TOOLS

#	Description	CarpetMaster 112	CarpetMaster 115	CarpetMaster 212	CarpetMaster 215	CarpetMaster 218
		Parts Number				
1	HEPA Filter, H13			147 1250 600		
2	Exhaust Filter			147 0966 500		
3	Dust Bag - 10 pcs, 2 Pre-Filters, 1 Exhaust Filter			147 1058 500		
4	Pre-Filter Kit			147 0960 500		
5	Holder Dust Bag, Kit			147 0854 500		
6	Holder Pre-Filter, Kit			147 0958 500		
7	Dust Bag, Cloth Re-Usable			147 1059 500		
8	Upholstery Nozzle			147 1205 500		
9	Crevice Tool			147 1203 500		
10	Extension Tube			147 0851 500		
11	Hose			147 0950 500		
12	Tube Holder			147 1062 500		
13	Wand			147 0919 500		