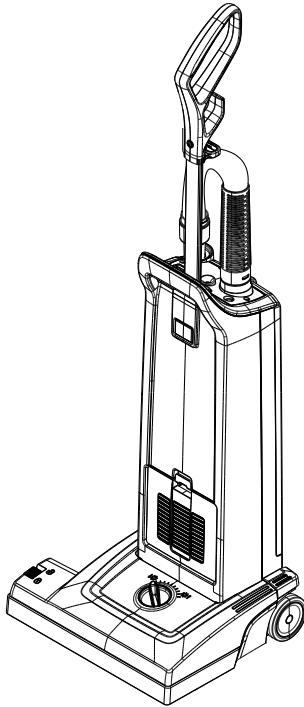


SPARE PARTS LIST

CarpetMaster[®]**WHEN ORDERING PARTS**

- * Use the digit numbers from the "Part No." columns in this spare parts list.
- * Specify the model and serial number of the machine.
- * Use the space below to record the model and serial number for future reference.

Model _____ Serial no. _____

Clarke reserves the right to make changes or improvements to its machine without notice.
Always use genuine Clarke Parts for repair.

Nilfisk-Advance, 14600 21st Avenue North, Plymouth, MN 55447

CarpetMaster[®]

DESCRIPTION**PLAN**

Wiring diagrams

3

Motors and electrical parts

4

Brush parts

6

Container parts

8

Filters

10

Nozzle and tube

12

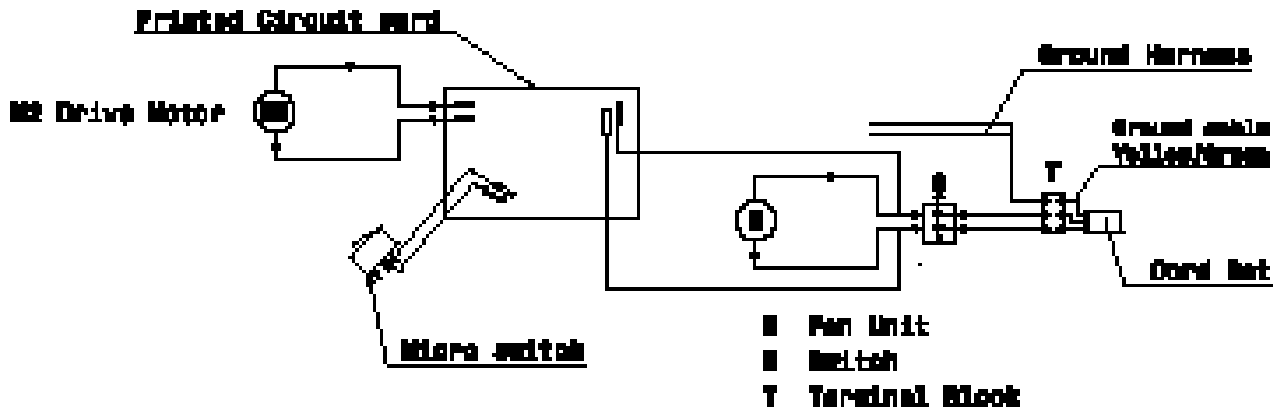
Locations

15

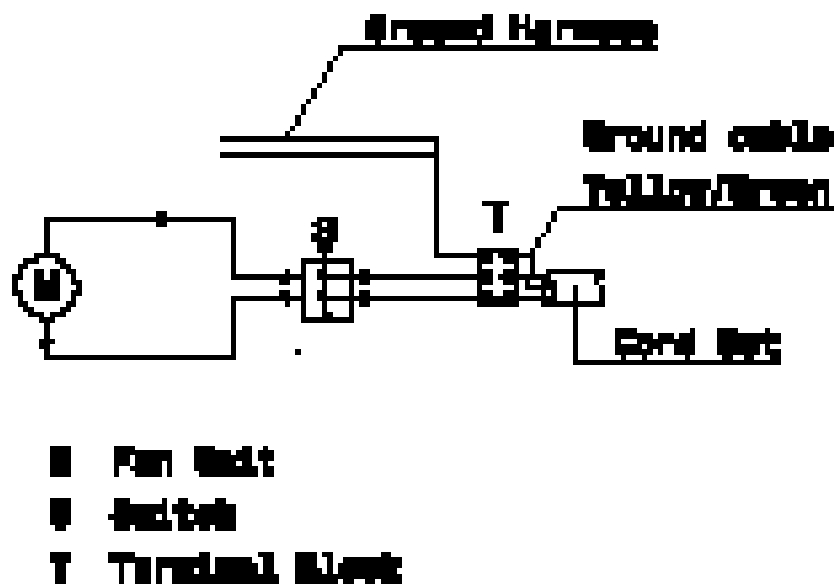
Warranty information

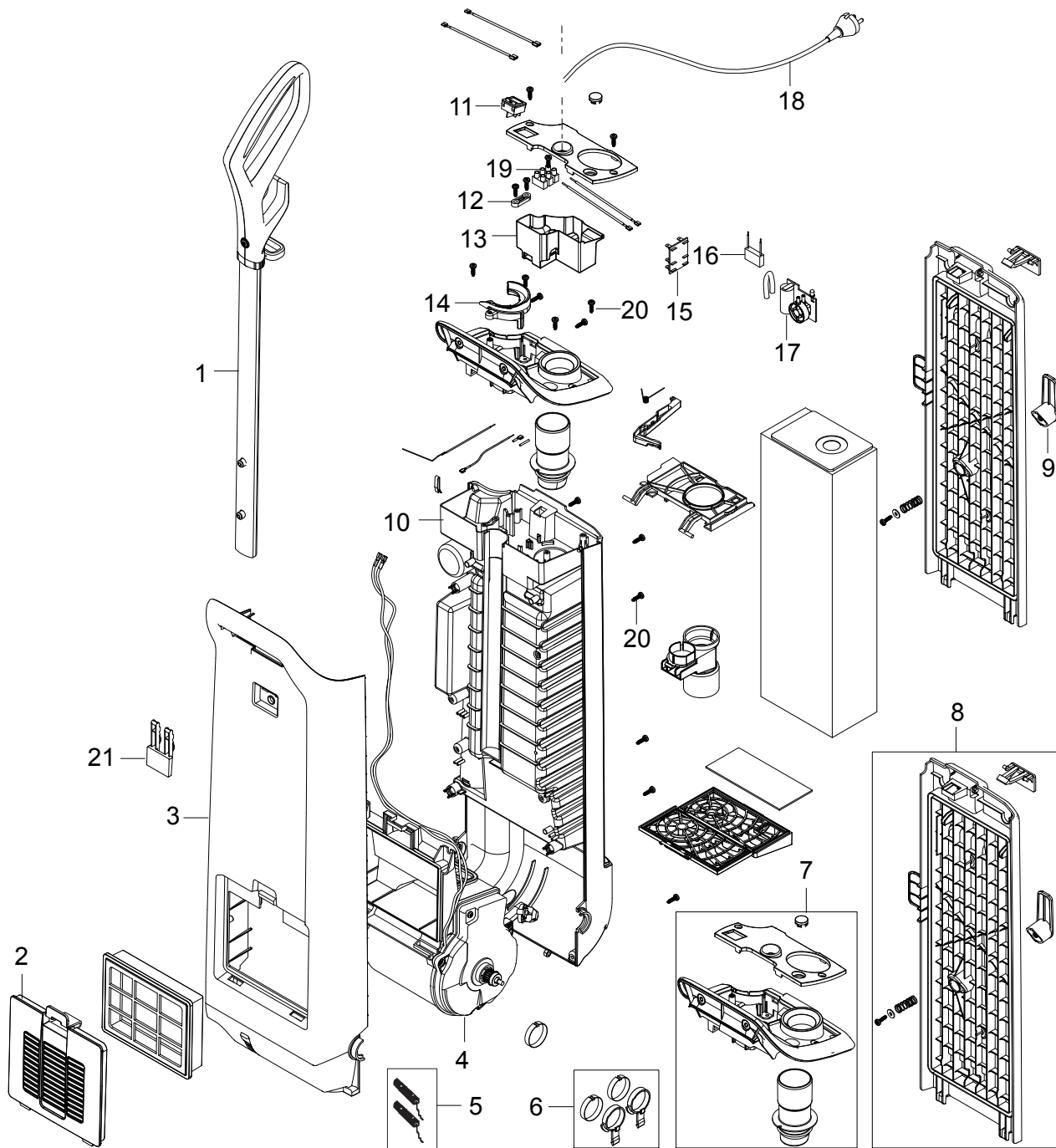
16

Double motor version 212, 215, 218 - Grounded



Single motor version 112, 115 - Grounded



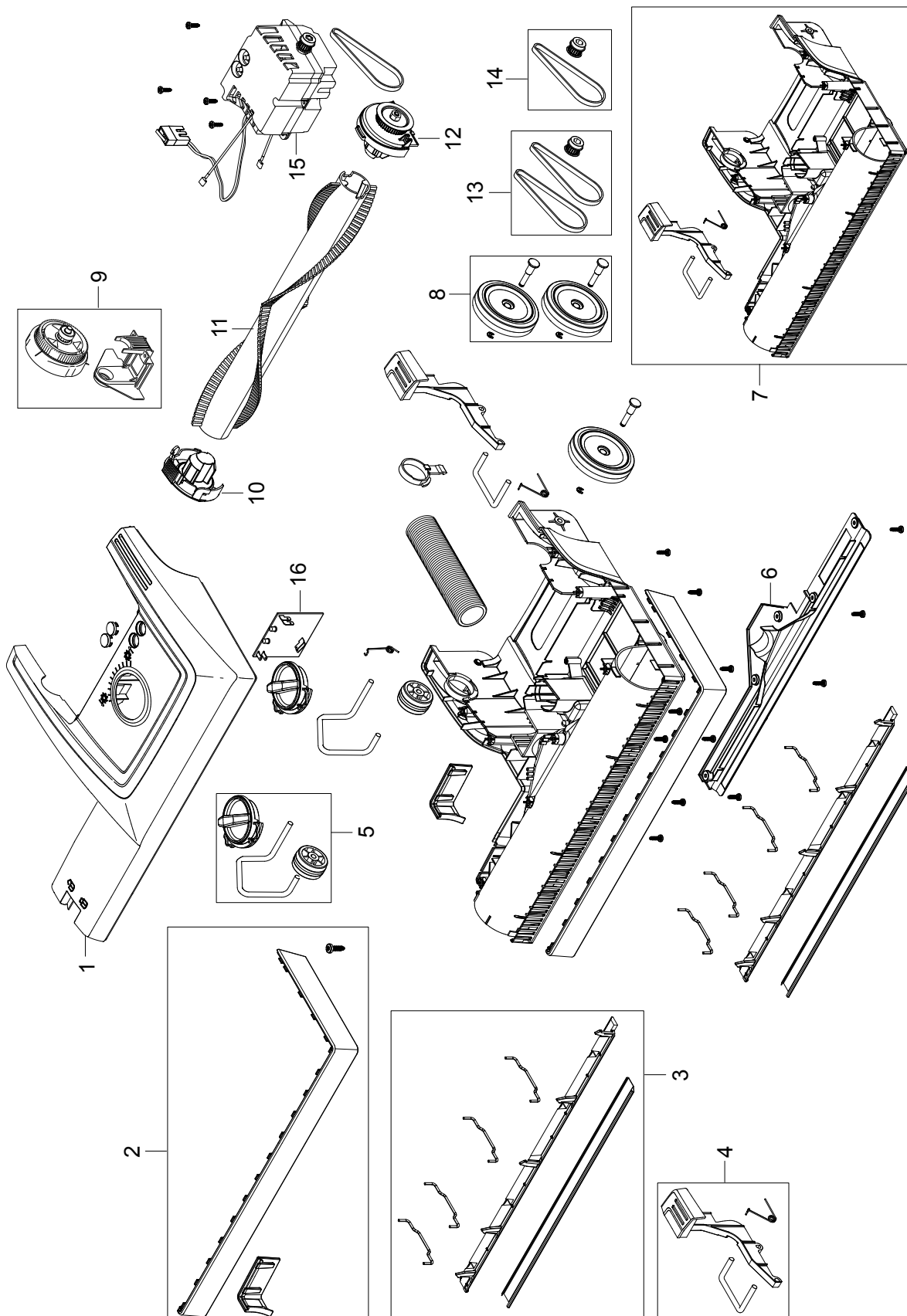


09-03	Carpetmaster 112, 115, 212, 215, 218	823 0103 020		
11-12	BODY			5

Item	Part No.	Qty.	Description	Note	EAN Code
1	147 0833 500	1	HANDLE COMPLETE		7319519663266
2	147 0965 510	1	COVER EXHAUST FILTER BLUE		7319519663310
3	147 0847 510	1	COVER BODY FRONT BLUE		7319519664546
4	147 0864 510	1	MOTOR CASSETTE 110-120V		7319519662924
5	147 1326 500	1	CARBON BRUSH KIT	2 pcs.	7319519664591
6	147 0927 500	1	JOINT BASE TO BODY W RING		7319519670639
7	147 0842 510	1	COVER TOP KIT. BLUE		7319519664485
8	147 0857 510	1	LID CPL. BLUE		7319519663334
9	147 0852 500	1	HOOK FOR CORD		7319519663341
10	147 0850 510	1	COVER BODY REAR, BLUE		7319519663297
11	140 5496 510	1	SWITCH UL KIT		7319519631739
12	056 1014 060	1	ANTI-STRAIN CLIP BLACK		7319519352368
13	147 0843 500	1	ELECTRIC BOX		7319519662979
14	147 1062 500	1	HOLDER TUBE		7319519663587
15	140 7024 500	1	BOARD ANTI STATIC	Not for US versions	7319519632590
16	140 8166 010	1	CAPACITOR	Not for US versions	7319519603712
17	147 0987 500	1	BAG FULL DEVICE		7319519675108
18	140 3859 640	1	CORD SET US/TW 15M YELLOW		7319519663570
19	82240100	1	TERMINAL BLOCK 3-POLE	For grounded versions	7319519493078
20	140 9214 040	1	SCREW PTK TORX 40x14MM FZB	Packet contains 22 screws	7319519418606
21	107401794	1	MUSTANG BUTTON BLACK		5703887107569

Note!

> Means: New or changed part number or and changed specification

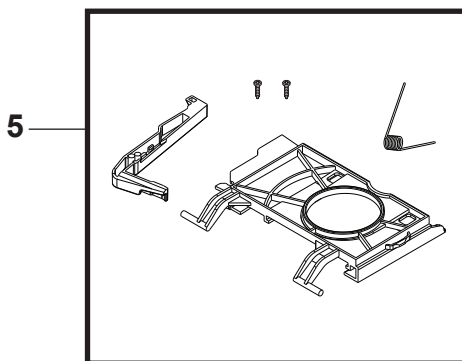
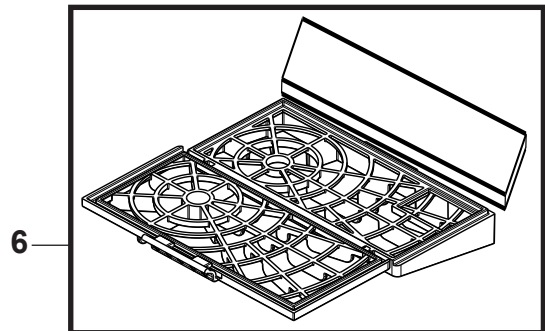
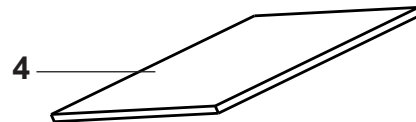
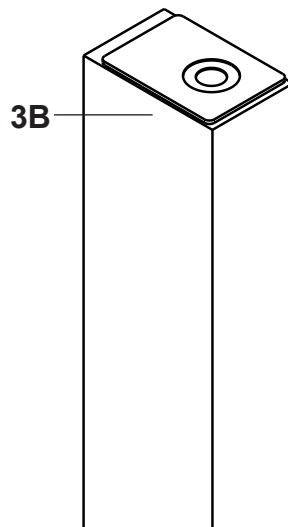
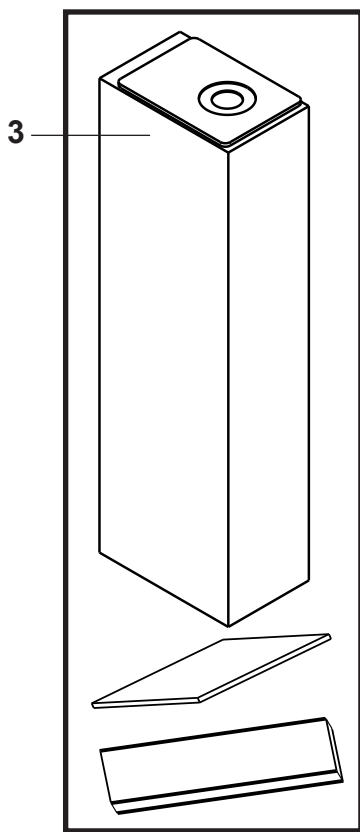
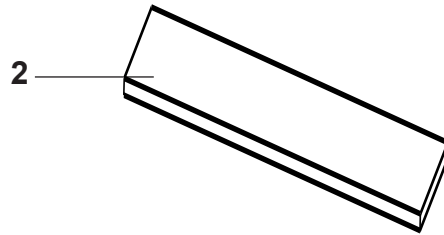
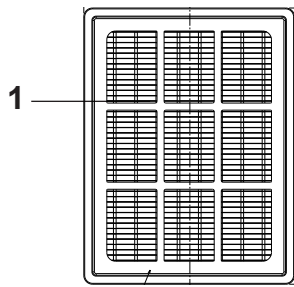


09-03	Carpetmaster 112, 115, 212, 215, 218	823 0103 020		
11-12	BASE			7

Item	Part No.	Qty.	Description	Note	EAN Code
1	147 0924 510	1	COVER BRUSH HOUSE BLUE	112	7319519664492
1	147 0924 610	1	COVER BRUSH HOUSE BLUE	212 incl. lens	7319519664508
1	147 0925 510	1	COVER BRUSH HOUSE BLUE	115	7319519663105
1	147 0925 610	1	COVER BRUSH HOUSE BLUE	215 incl. lens	7319519663624
1	147 0926 510	1	COVER BRUSH HOUSE BLUE	218	7319519664515
2	147 0886 500	1	BUMPER KIT 12 INCH/305		7319519663211
2	147 0889 500	1	BUMPER KIT 15 INCH/355		7319519663136
2	147 0892 500	1	BUMPER KIT 18 INCH/455		7319519663235
3	147 0992 500	1	SUPPORT BRUSH KIT 12INCH		7319519663150
3	147 0992 510	1	SUPPORT BRUSH KIT 15INCH		7319519663167
3	147 0992 520	1	SUPPORT BRUSH KIT 18INCH		7319519663174
4	147 0935 500	1	PEDAL W SHAFT AND SPRING		7319519670646
5	147 0901 500	1	ROLLER KIT		7319519663242
6	147 0988 500	1	BRUSH SHOE 12 INCH/305		7319519663181
6	147 0989 500	1	BRUSH SHOE 15/355		7319519663198
6	147 0990 500	1	BRUSH SHOE 18/455		7319519663204
7	147 0885 500	1	CHASSIS 12 INCH /305	112, 212	7319519663129
7	147 0888 500	1	CHASSIS 15 INCH/355	115, 215	7319519663228
7	147 0891 500	1	CHASSIS 18 INCH/455	218	7319519663143
8	147 0898 500	1	WHEEL KIT		7319519663259
9	147 0906 500	1	CLUTCH AND BEARING KIT		7319519663068
10	147 0944 500	1	COVER		7319519663037
11	147 0930 500	1	BRUSH 12 INCH/305		7319519663006
11	147 0930 510	1	BRUSH 15 INCH/355		7319519663013
11	147 0930 520	1	BRUSH 18 INCH/455		7319519663020
12	147 0913 500	1	BEARING		7319519663044
13	147 0905 500	1	DRIVE BELT KIT		7319519663051
14	147 0905 510	1	DRIVE BELT KIT DOUBLE MOTOR		7319519664881
15	147 0984 510	1	MOTOR CASSETTE 100-120V	With Circuit Board and Micro Switch	7319519662955
>15A	147 1170 500	1	MICRO SWITCH KIT	for motor 147 0984 510	5715492087617
16	107401947	1	PCB 120V KIT		5703887108900

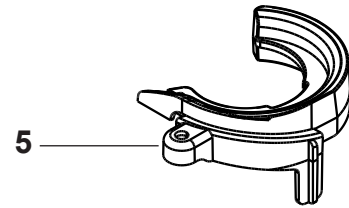
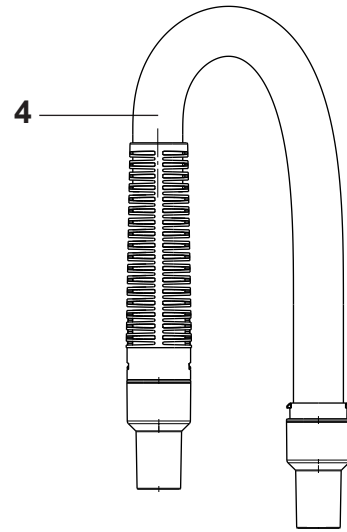
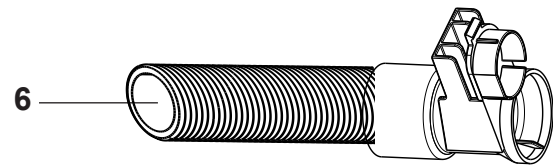
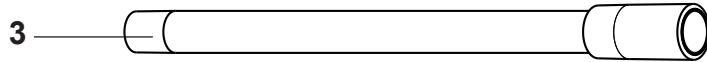
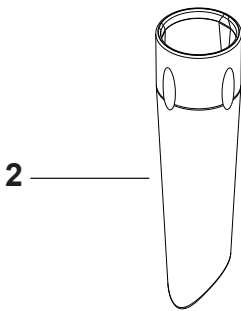
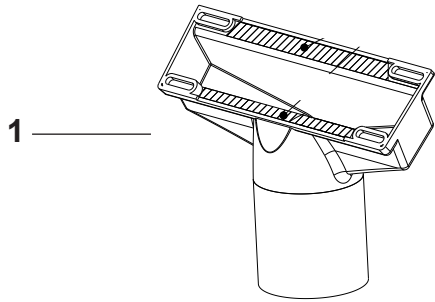
Note!

> Means: New or changed part number or and changed specification



09-03	Carpetmaster 112, 115, 212, 215, 218	823 0103 020		
08-04	FILTERS			9

Item	Part No.	Qty.	Description	Note	EAN code
1	147 1250 600	1	HEPA-filter, H13		7319519664522
2	147 0966 500	1	Exhaust filter		7319519663365
3	147 1058 500	1	Dust bags 10-pcs. with 2 pre filters and 1 exhaust filter	Material: Paper	7319519663372
3B	147 1059 500	1	Dust bag, re-usable	Material: Cloth	7319519664577
4	147 0960 500	1	Pre filter kit	2 psc. with anti smell paper	7319519663389
5	147 0854 500	1	Holder dust bag, kit		7319519663396
6	147 0958 500	1	Holder pre filter, kit	With 1 pre filter	7319519663402



09-03	Carpetmaster 112, 115, 212, 215, 218	823 0103 020		
08-08	NOZZLES AND TUBE			11

Item	Part No.	Qty.	Description	Note	EAN code
1	147 1205 500	1	Upholstery nozzle Ø 35 mm		7319519663419
2	147 1203 500	1	Crevice nozzle Ø 35 mm	Soft	7319519663426
3	147 0851 500	1	Extension tube Ø 35 mm		7319519664478
4	147 0950 500	1	Hose stretchable		7319519663440
5	147 1062 500	1	Tube holder	For the extension tube	7319519663587
6	147 0919 500	1	Adapter, base to tube w.hose	Hose from the base	

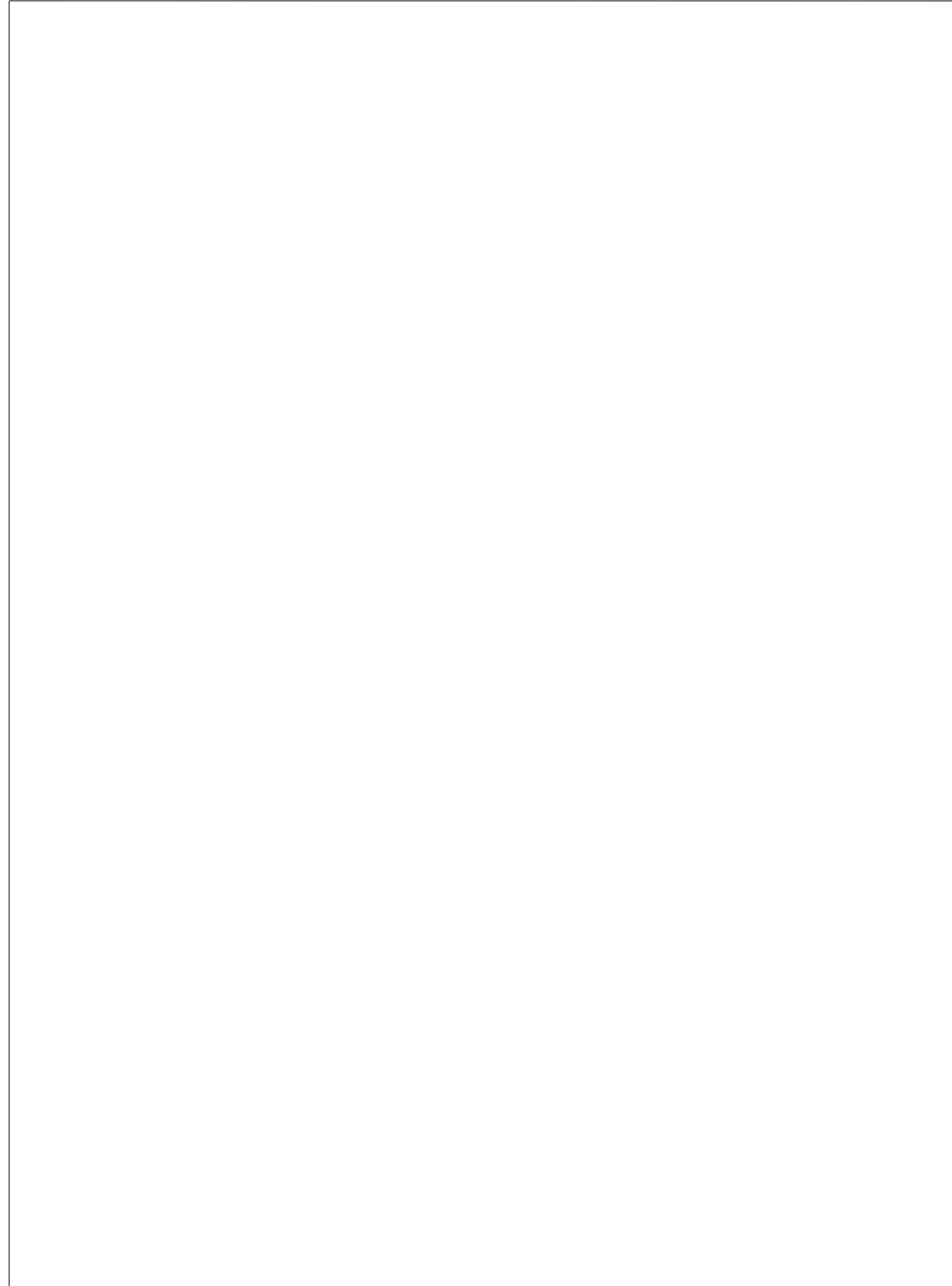
Note!
>> Means: New or changed part number or and changed specification

823 0103 020

Carpetmaster 112, 115, 212, 215, 218

09-03

12



CLARKE PRODUCT SUPPORT BRANCHES**U.S. A. Locations****PRODUCTION FACILITIES**

Clarke*, Springdale, Arkansas
2100 Highway 265
Springdale, Arkansas 72764
(479) 750-1000
Customer Service - 1-800-253-0367
Technical Service - 1-800-356-7274

American Lincoln*, Bowling Green, Ohio 43402
1100 Haskins Road

SERVICE FACILITIES

Clarke*, Elk Grove, Illinois 60007
2260 Elmhurst Road
(847) 956-7900

Clarke*, Denver, Colorado 80204
1955 West 13th Ave.
(303) 623-4367

Clarke*, Houston, Texas 77040
7215 North Gessner Road
713-937-7717

SERVICE AND SALES FACILITY

American Lincoln*/ Clarke, Madison Heights,
Michigan 48071-0158
29615 John R.
(810) 544-6300

American Lincoln*/ Clarke, Marietta, Georgia 30066
1455 Canton Road
(770) 973-5225

SALES AND DISTRIBUTION CENTER

Clarke*, Secaucus, NJ 07094
74 Henry Street
(201) 864-5503

Clarke® US WARRANTY

This Clarke Commercial Product is warranted to be free from defects in materials and workmanship under normal use and service for a period of one year covering parts and labour (Motors and Belts warranted for two years) from the date of purchase, when operated and maintained in accordance with Clarke's Maintenance and Operations instructions.

This warranty is extended only to the original purchaser for use of the product. It does not cover normal wear parts such as electrical cable, rubber parts, hoses and motor brushes.

If difficulty develops with the product, you should:

(a). Contact the nearest authorized Clarke repair location or contact the Clarke Service Operations Department, 2100 Highway 265, Springdale, Arkansas 72764, for the nearest authorized Clarke repair location. Only these locations are authorized to make repairs to the product under this warranty.

(b). Return the product to the nearest Clarke repair location. Transportation charges to and from the repair location must be prepaid by the purchaser.

(c). Clarke will repair the product and or replace any defective parts without charge within a reasonable time after receipt of the product.

Clarke's liability under this warranty is limited to repair of the product and/or replacement of parts and is given to purchaser in lieu of all other remedies, including INCIDENTAL AND CONSEQUENTIAL DAMAGES.

THERE ARE NO EXPRESS WARRANTIES OTHER THAN THOSE SPECIFIED HEREIN. THERE ARE NO WARRANTIES WHICH EXTEND BEYOND THE DESCRIPTION OF THE FACE HEREOF. NO WARRANTIES, INCLUDING BUT NOT LIMITED TO WARRANTY OF MERCHANTABILITY, SHALL BE IMPLIED. A warranty registration card is provided with your Clarke product. Return the card to assist Clarke in providing the performance you expect from your new floor machine.

Clarke reserves the right to make changes or improvements to its machine without notice.
Always use genuine Clarke Parts for repair.

Clarke®

Nilfisk-Advance, 14600 21st Avenue North, Plymouth, MN 55447
www.advance-us.com