



IPC Integrated Professional Cleaning

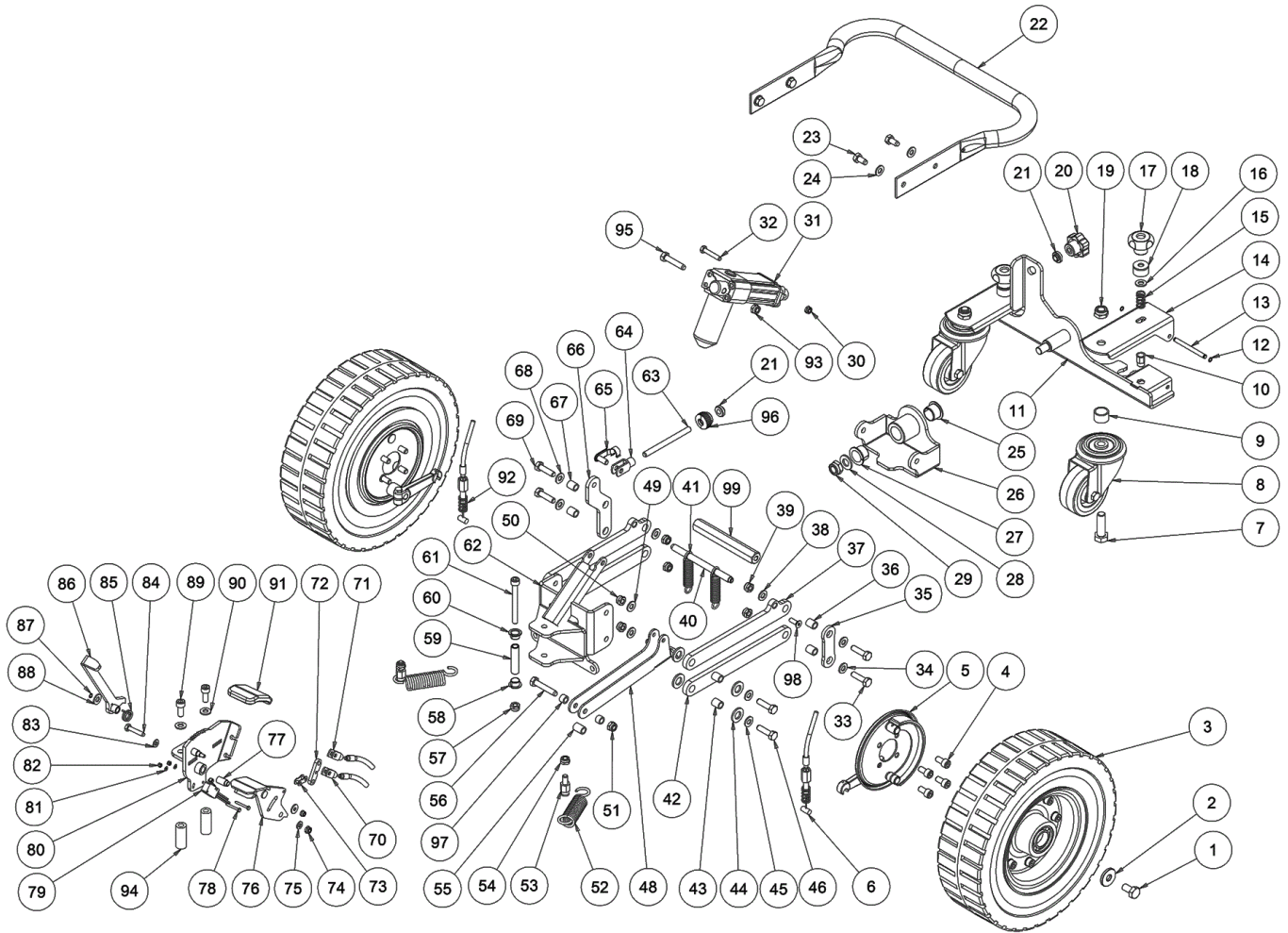
IPC Gansow

Spare Parts List

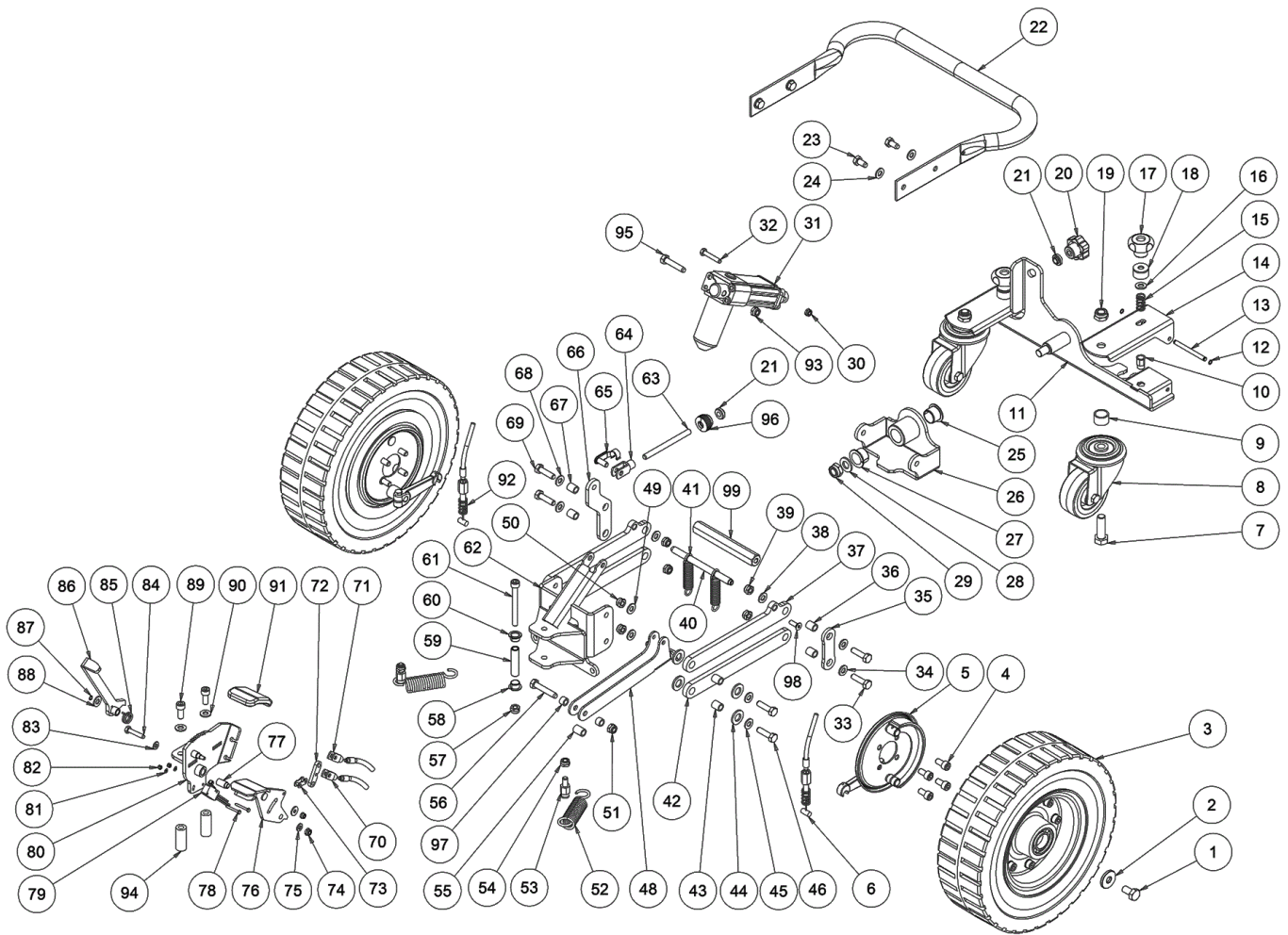
IPC EAGLE

Ref: LPTB01521

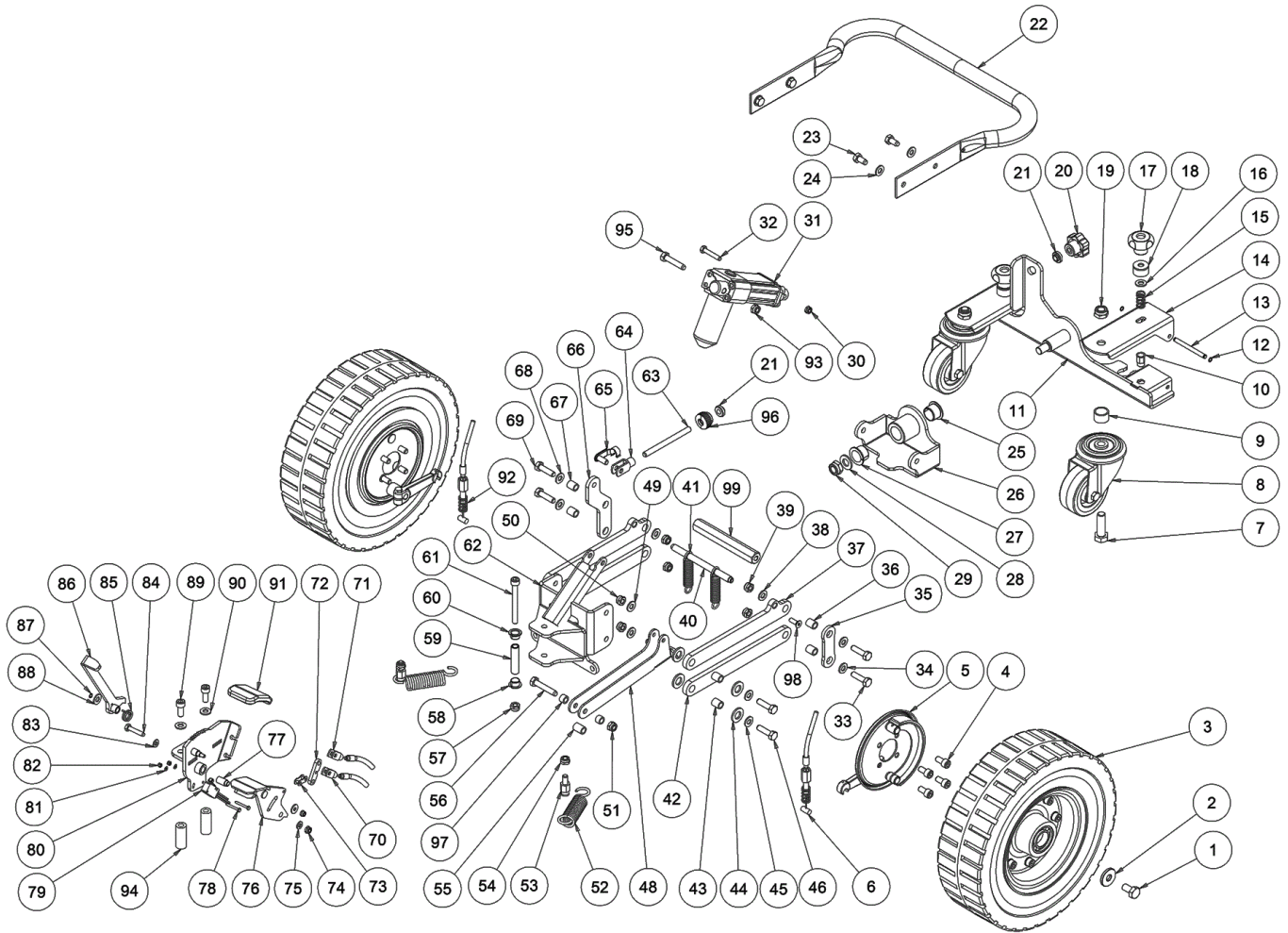
Model: CT230 BT100R SW GR/VE



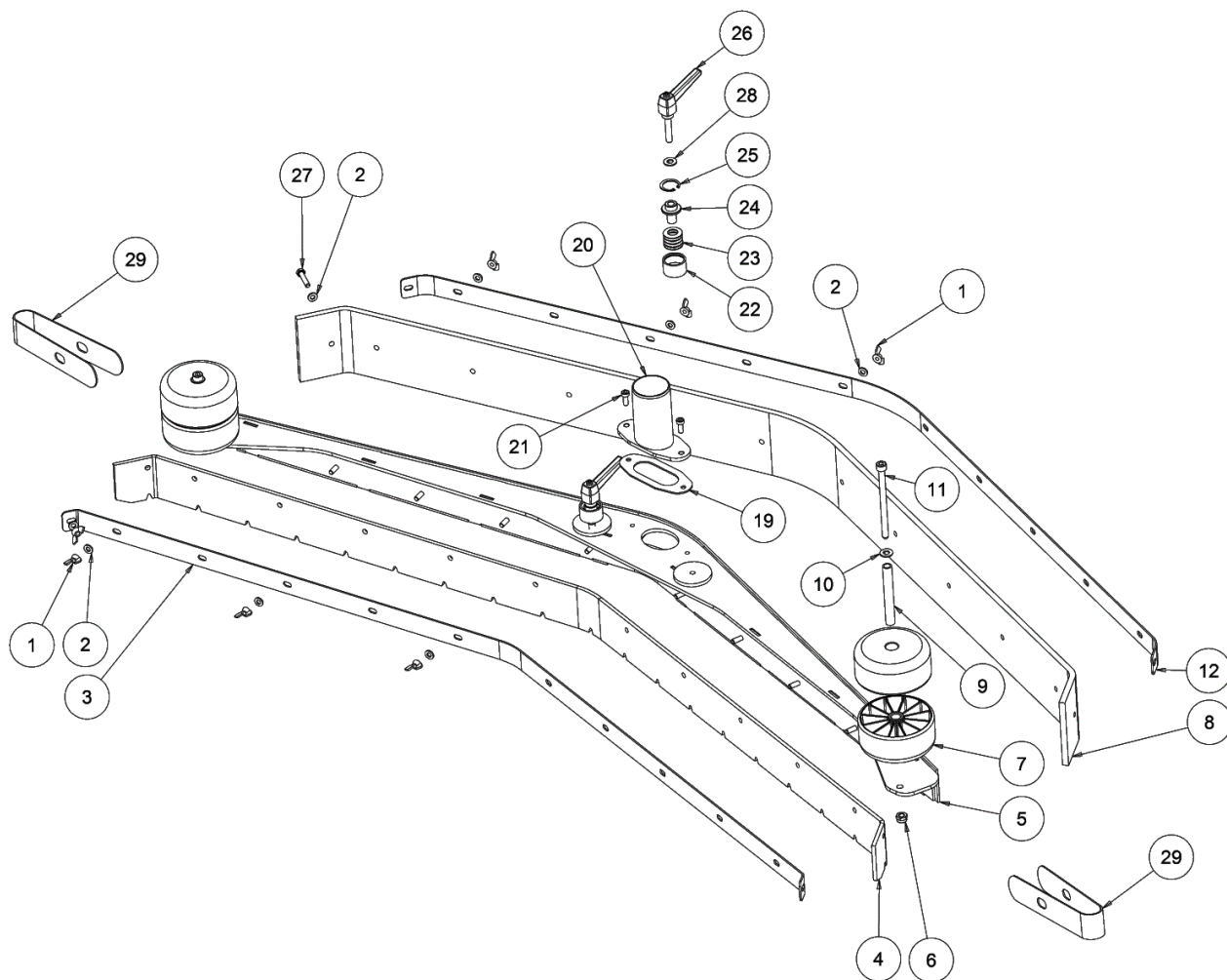
Ref. K	Part N.	Customer Part N.	Description	Qty	Validity:		Price
					From	To	
0001	VTVT13936		SCREW TE M 10X 20	2,00			--
0002	LAFN04144		WASHER RUOTE POSTERIORI	2,00			--
0003	RTRT00538		WHEEL REAR 4.00-6 PU CT230	2,00			--
0004	VTVT00876		SCREW TCEI M.8-16	8,00			--
0005	RTRT45090		BLOCK BRAKE D.125 TK	2,00			--
0006	CMCV00335		CABLE 4x	1,00			--
0007	VTVT28885		SCREW TE M 12X 50 UNI 5739 INOX	2,00			--
0008	RTRT00396		WHEEL -	2,00		01/2014	--
0008	RTRT00518		WHEEL CASTOR D.80X30	2,00	01/2014		--
0009	LAFN09002		THICKNESS -	2,00			--
0010	VTVR00022		INSERT FILETTATO ESAGONALE M8	2,00			--
0011	LAFN08810		SUPPORT -	1,00			--
0012	VTAE48552		CIRCLIP D. 6 UNI 7435	4,00			--
0013	LAFN04150		PIN BRACCIO RUOTA TERGI P185	2,00			--
0014	LAFN08993		ARM PORTARUOTA TERGI P185	2,00			--
0015	MLML00239		SPRING PER RUOTE TERGI P185	2,00			--
0016	VTRS13947		WASHER D. 8 INX UNI 6592	2,00			--
0017	VTVR35378		HANDWHEEL F 8MAX20 D.40	2,00			--
0018	ABGO00042		VIBRATION DAMP.REGOLAZIONE TERGI CLT160	2,00			--
0019	VTDD00176		NUT M.12 INOX A2 BASSO AUTOB.	2,00			--
0020	VTVT00207		HANDWHEEL M8	1,00			--
0021	LAFN08811		BUSHING -	2,00			--
0022	LAFN06275		TUBE ROLL BAR POSTER.CLT160	1,00			--
0023	VTVT15916		SCREW TE M 8X 16 UNI 5739 A2	4,00			--
0024	VTRS13947		WASHER D. 8 INX UNI 6592	4,00			--
0025	CUVR44216		BUSHING CB 85 2015 31T	1,00			--
0026	LAFN08812		BRACKET -	1,00			--
0027	CUVR44216		BUSHING CB 85 2015 31T	1,00			--
0028	VTRS15978		WASHER D.12X24 UNI 6592 INX	1,00			--
0029	VTDD00176		NUT M.12 INOX A2 BASSO AUTOB.	1,00			--
0030	VTDD01694		NUT M6 INOX	1,00			--
0031	MOCC00394		ATUATOR	1,00			--
0032	VTVT00433		SCREW TE M 6X 30 UNI 5739 INX	1,00			--
0033	VTVT13937		SCREW TE M 8X 30 INX UNI 5739	2,00			--
0034	VTRS13947		WASHER D. 8 INX UNI 6592	2,00			--
0035	LAFN08806		CONNECTING ROD -	1,00			--
0036	LAFN04151		BUSHING X PARALLELOGRAMMA	2,00			--
0037	LAFN08804		SPACER -	2,00			--
0038	VTRS13947		WASHER D. 8 INX UNI 6592	2,00			--



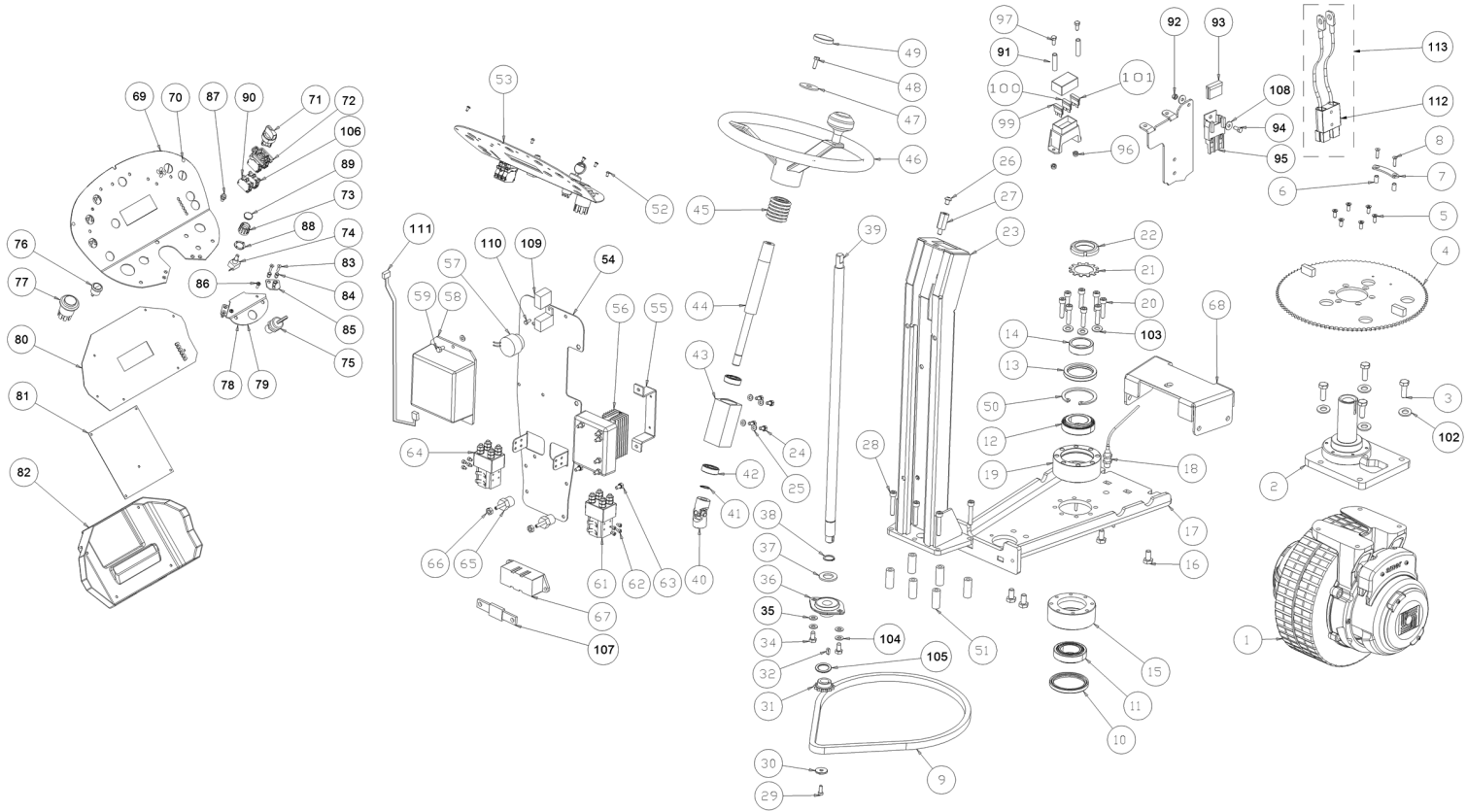
Ref.	K	Part N.	Customer Part N.	Description	Qty	Validity:		Price
						From	To	
0039		VTDD01695		NUT M 8 INX	2,00			--
0040		LAFN08808		PIN -	1,00			--
0041		MLML00022		SPRING GANCIO ARPIONE	2,00			--
0042		LAFN08805		ARM -	2,00			--
0043		LAFN04151		BUSHING X PARALLELOGRAMMA	4,00			--
0044		VTRS15978		WASHER D.12X24 UNI 6592 INX	8,00			--
0045		VTRS13947		WASHER D. 8 INX UNI 6592	4,00			--
0046		VTVT01050		SCREW TE M 8X30 INX UNI 5737	4,00			--
0048		LAFN05777		LEVER SOLLEVAMENTO TERGI	1,00			--
0049		VTRS13947		WASHER D. 8 INX UNI 6592	4,00			--
0050		VTDD01695		NUT M 8 INX	4,00			--
0051		VTDD01695		NUT M 8 INX	1,00			--
0052		MLML00241		SPRING TESTATA SPAZZOLA P185	2,00			--
0053		LAFN04143		PIN FISSA MOLLA	2,00			--
0054		VTDD01695		NUT M 8 INX	2,00			--
0055		LAFN04139		SPACER SNODO TERGI	1,00			--
0056		VTVT15371		SCREW TE M 8X45 INOX A2 UNI	1,00			--
0057		VTDD01695		NUT M 8 INX	1,00			--
0058		CUVR00130		BEARING STRISCIAMENTO	1,00			--
0059		LAFN07879		BUSHING -	1,00			--
0060		CUVR00130		BEARING STRISCIAMENTO	1,00			--
0061		VTVT01148		SCREW TCEI M8X70	1,00		04/2014	--
0061		VTVT01701		STUD BOLT M8X90	1,00	04/2014		--
0062		LAFN08809		ARTICULATION -	1,00			--
0063		CMCV00181		TIE ROD M8X100	1,00			--
0064		CMCV00001		FORK UNI 1676 M8X16	1,00			--
0065		CMCV75718		CLIP UNI 1676 M8	1,00			--
0066		LAFN08807		CONNECTING ROD -	1,00			--
0067		LAFN04151		BUSHING X PARALLELOGRAMMA	2,00			--
0068		VTRS15146		WASHER D. 8 INX GRW UNI 1751	2,00			--
0069		VTVT00410		SCREW TE M8x35 UNI5739 INOX	2,00			--
0072		LAFN05769		BALANCER PER CAVI FRENO	1,00			--
0073		MTCR47037		WARP KNITTING 3/8	1,00			--
0074		VTDD15518		NUT M 6 INX	1,00			--
0075		VTRS13945		WASHER D. 6X18 INX UNI 6593	1,00			--
0076		LAFN05767		ASSEMBLED PEDALE FRENO	1,00			--
0077		LAFN04142		PIN PEDALE FRENO	1,00			--
0078		VTVT01350		SCREW M3-20 INOX	2,00			--
0079		MECI44780		MICROSWITCH D2VW-5L2A-1M OMR	1,00			--



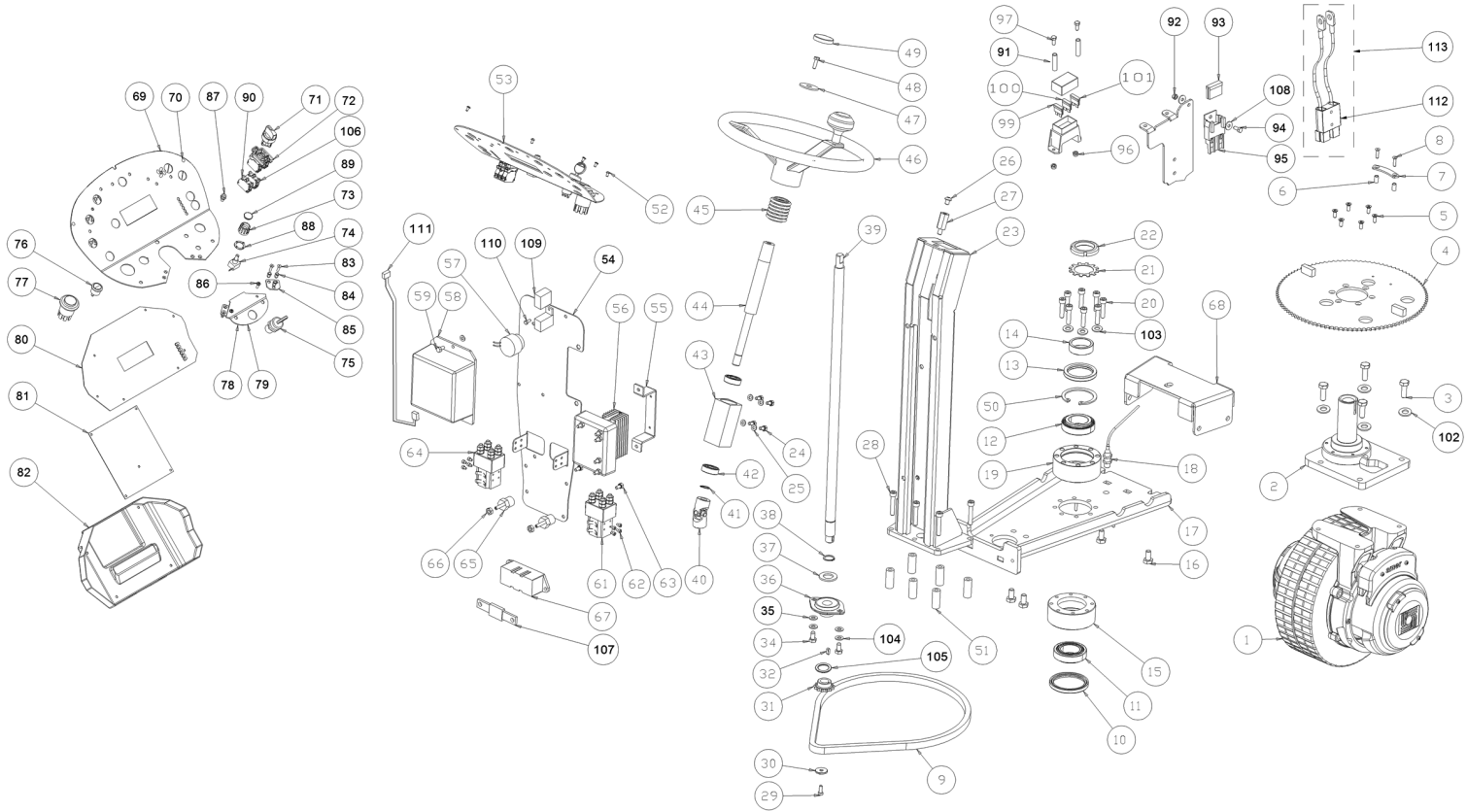
Ref.	K	Part N.	Customer Part N.	Description	Qty	Validity:		Price
						From	To	
0080		LAFN05766		SUPPORT PEDALE CPL	1,00			--
0081		VTRS21116		WASHER D. 3 INX	4,00			--
0082		VTDD21115		NUT M 3 INOX	2,00			--
0084		VTVT00433		SCREW TE M 6X 30 UNI 5739 INX	1,00			--
0085		MLML00237		SPRING RICHIAMO PEDALE B.F. P185	1,00			--
0086		LAFN51019		PEDALE BLOCCO	1,00			--
0087		VTAE14096		CIRCLIP D. 8 UNI 7435	1,00			--
0088		VTRS13947		WASHER D. 8 INX UNI 6592	1,00			--
0089		VTVT01310		SCREW TCEI 8X60 INOX UNI5931	2,00			--
0090		VTRS13947		WASHER D. 8 INX UNI 6592	2,00			--
0091		MPVR45096		RUBBER V 1201 GR.	1,00			--
0092		CMCV00334		CABLE 4x	1,00			--
0092		VTVT00708		SCREW TE M. 8-40	1,00			--
0093		VTDD01695		NUT M 8 INX	1,00			--
0094		LAFN08885		SPACER -	2,00			--
0095		VTVT00708		SCREW TE M. 8-40	1,00			--
0096		MPVR05839		KNOB -	1,00			--
0097		LAFN04157		BUSHING SNODO FINALE	2,00			--
0098		VTVT01317		SCREW M 5X 12 TSPEI UNI 5933	2,00			--
0099		LAFN09239		SPACER CT230	1,00	12/2012		--



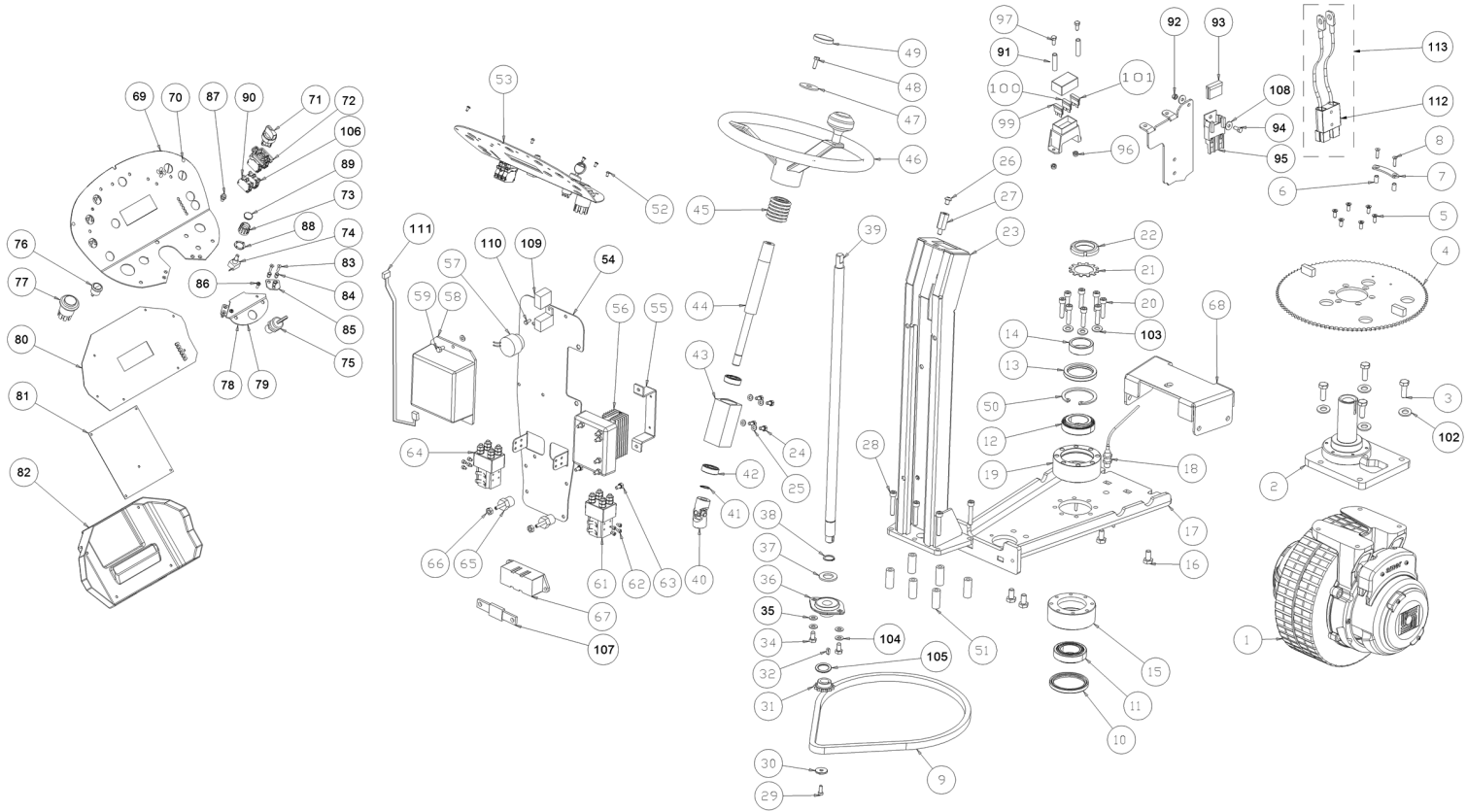
Ref. K	Part N.	Customer Part N.	Description	Qty	Validity:		Price
					From	To	
0001	VTDD00171		NUT M6 INOX	14,00			--
0002	VTRS00245		WASHER D.6 UNI 6592 INOX	16,00			--
0003	LAFN08930		BRACKET -	1,00			--
0004	MPVR05885		BLADE SQUEEGEE FRONT CT230-105	1,00			--
0005	LAFN08929		FLOOR WIPER -	1,00			--
0006	VTDD01695		NUT M 8 INX	2,00			--
0007	RTRT00510		WHEEL ANTIRIBALTAMENTO	4,00			--
0008	MPVR05886		BLADE SQUEEGEE REAR LATEX CT230	1,00			--
0009	LAFN04127		PIN RULLO PARACOLPI	2,00			--
0010	VTRS13946		WASHER D. 8 X24 INX UNI 6593	2,00			--
0011	VTVT67560		SCREW TCEI M8X110 INOX AISI 304	2,00			--
0012	LAFN08931		BRACKET -	1,00			--
0019	GUGO06700		GASKET SQUEEGEE	1,00			--
0020	LAFN08938		CONNECTOR -	1,00			--
0021	VTVT00717		SCREW TCEI M. 6-16	2,00			--
0022	LAFN04137		CONTAINER MOLLE A TAZZA	2,00			--
0023	MLML00245		SPRING A TAZZA	12,00			--
0024	LAFN04121		PIN MOLLE A TAZZA	2,00			--
0025	VTAE13513		CIRCLIP D. 26 UNI 7437	2,00			--
0026	CHVR00500		HANDLE A RIPRESA M8x40	2,00			--
0027	VTVT00433		SCREW TE M 6X 30 UNI 5739 INX	2,00			--
0028	VTRS13947		WASHER D. 8 INX UNI 6592	2,00			--
0029	MPVR06002		DUCT LOCK FLAP CT230	2,00			--



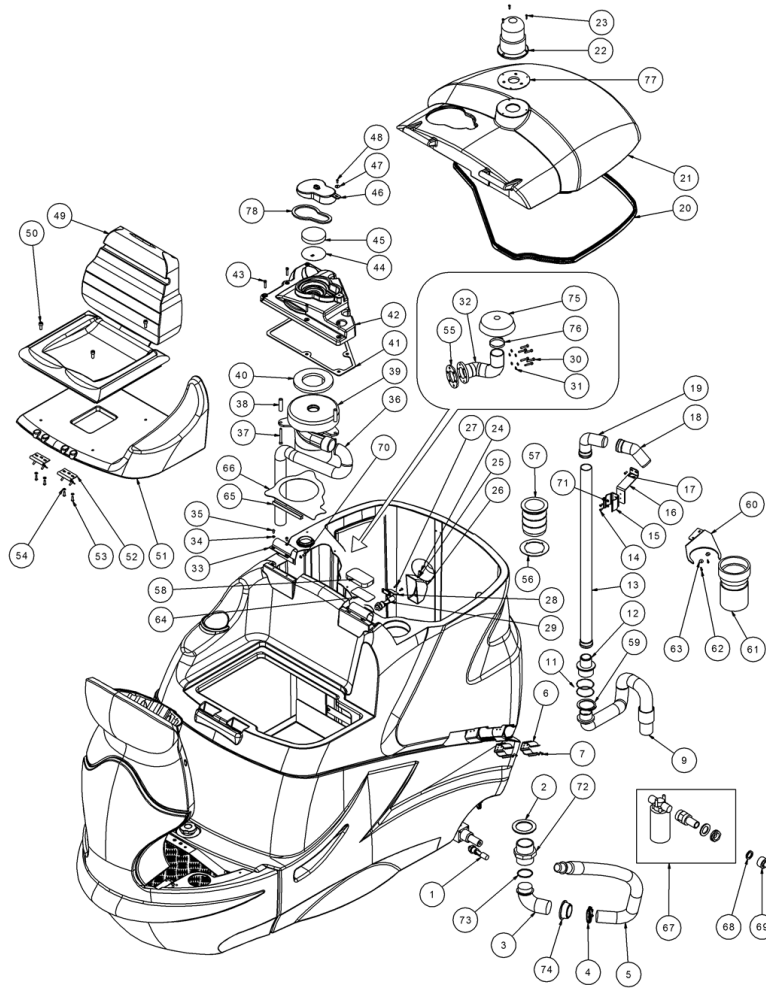
Ref.	K	Part N.	Customer Part N.	Description	Qty	Validity: From	To	Price
0001		MCCC00407		MOTOR ELECTRIC TRAC.-WHEEL 230	1,00			--
0001		RTRT00442		WHEEL PU BLUE CT230 300x100	1,00			--
0001		MEVR34439		CARBON 10X18X19	4,00			--
0001		MCCC00385		DRIVE ASSEMBLY -	1,00			--
0002		LAFN06994		SPACER -	1,00			--
0003		VTVT01541		SCREW TE M 10x30 INOX UNI5739	4,00			--
0004		LAFN06995		BRAKE -	1,00			--
0005		VTVT13940		SCREW M 6X 20 TSPEI UNI 5933	6,00			--
0006		LAFN03742		SPACER SILENZIATORE	2,00			--
0007		LAFN08836		BRACKET -	1,00			--
0008		VTVT15962		SCREW M 5X 25 TSPEI UNI 5933	2,00			--
0009		MTCR00085		CHAIN 3/8"	1,00			--
0010		PVVR00044		GASKET -	1,00			--
0011		CUVR00187		BEARING -	1,00			--
0012		CUVR00187		BEARING -	1,00			--
0013		PVVR00045		GASKET -	1,00			--
0014		LAFN08828		BUSHING -	1,00			--
0015		LAFN08830		BUSHING -	1,00			--
0016		VTVT13936		SCREW TE M 10X 20	4,00			--
0017		LAFN06993		PLATE -	1,00			--
0018		MECI00535		SENSOR -	1,00			--
0019		LAFN08829		RING -	1,00			--
0020		VTVT01310		SCREW TCEI 8X60 INOX UNI5931	8,00			--
0021		VTRS00572		WASHER -	1,00			--
0022		VTVR00563		RING NUT -	1,00			--
0023		LAFN05787		ASSEMBLED PIANTONE	1,00			--
0024		VTVT15906		SCREW TE 6X 12 A2 UNI 5739	4,00			--
0025		VTRS00245		WASHER D.6 UNI 6592 INOX	4,00			--
0026		VTVT47025		SCREW TBEI M 10X 16 ISO 7380 ZB	1,00			--
0027		LAFN00474		PIN FISS.COFANURE SIRIO L.45	1,00			--
0028		VTVT01310		SCREW TCEI 8X60 INOX UNI5931	6,00			--
0029		VTVT00717		SCREW TCEI M. 6-16	1,00			--
0030		LAFN04134		WASHER PIGNONE STERZO	1,00			--
0031		MTCR00070		PINION ALBERO STERZO P185	1,00			--
0032		VTVR00229		KEY 5X5X12	1,00			--
0034		VTVT15916		SCREW TE M 8X 16 UNI 5739 A2	2,00			--
0035		VTRS13947		WASHER D. 8 INX UNI 6592	2,00			--
0036		CUVR00105		SUPPORT -	1,00			--
0037		LAFN07029		SPACER -	1,00			--



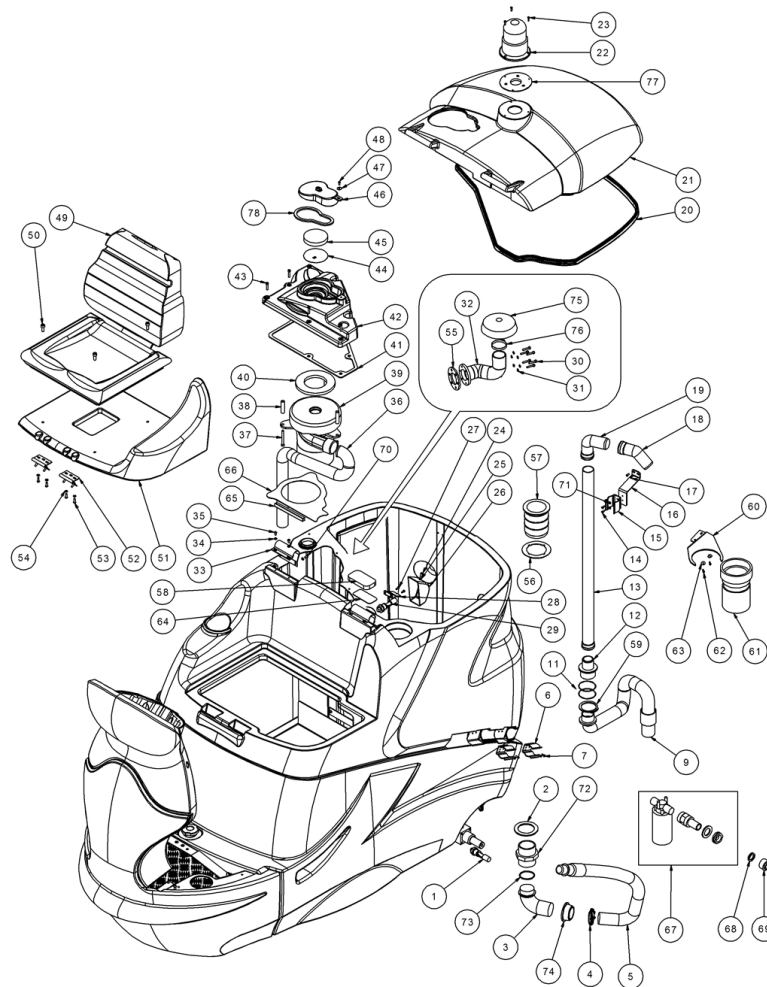
Ref.	K	Part N.	Customer Part N.	Description	Qty	Validity: From To	Price
0038		VTAE06193		CIRCLIP D. 20 UNI 7435	1,00		--
0039		LAFN08820		SHAFT -	1,00		--
0040		VTVR00057		ARTICULATION CARDANICO	1,00		--
0041		VTAE17003		CIRCLIP D. 15 UNI 7435	1,00		--
0042		CUVR17004		BALL BEARING 6202 -2RS1	2,00		--
0043		LAFN04133		HUB ALBERO STERZO	1,00		--
0044		LAFN04076		SHAFT STERZO SUPERIORE P185	1,00		--
0045		MPVR51068		PROTECTOR STERZO CLT 160	1,00		--
0046		MPVR01517		STEERING WHEEL	1,00		--
0047		VTRS44254		WASHER D.10 X40X2.5 UNI6593	1,00		--
0048		VTVT47025		SCREW TBEI M 10X 16 ISO 7380 ZB	1,00		--
0049		MPVR47026		BLACK CAP L.14	1,00		--
0050		VTAE00081		CIRCLIP -	1,00		--
0051		LAFN08885		SPACER -	6,00		--
0052		VTVT00881		SCREW TC+ M4x6 TRILOBATA INOX	4,00		--
0053		MECE00522		BOARD PANEL CT160-CT230 CURTIS	1,00		--
0054		LAFN08876		SUPPORT -	1,00		--
0055		LAFN08877		SUPPORT -	1,00		--
0056		MECE00526		BOARD POWER SERVICE CT160-CT230	1,00		--
0057		MEVR01436		BUZZER -	1,00		--
0058		MECE00525		BOARD TRACTION CURTIS 36V 160A	1,00		--
0059		VTVT07725		SCREW TE 5X16 UNI5739 INX	3,00		--
0061		METT00086		CONTACTOR 100A	1,00		--
0062		VTVT00881		SCREW TC+ M4x6 TRILOBATA INOX	4,00		--
0063		VTVT15906		SCREW TE 6X 12 A2 UNI 5739	2,00		--
0064		METT00086		CONTACTOR 100A	1,00		--
0065		MEVR47082		INSULATOR M6 35-CH32	2,00		--
0067		MEVR00146		FUSE-HOLDER MEGA	1,00		--
0068		LAFN08813		PLATE -	1,00		--
0069		ETET01663		LABEL -	1,00		--
0070		LAFN08851		SUPPORT -	1,00		--
0071		MEVR02011		SELECTOR -	1,00		--
0072		MEVR02038		SUPPORT	1,00		--
0073		MEVR01575		CAP 2202	1,00		--
0074		MEVR01941		POTENTIOMETER 100K	1,00		--
0075		MECI75805		SWITCH TK	1,00		--
0076		MECI00556		SWITCH -	1,00		--
0077		MECI00028		BUTTON DI EMERGENZA TK1400 24V	1,00		--
0078		ETET01664		LABEL -	1,00		--



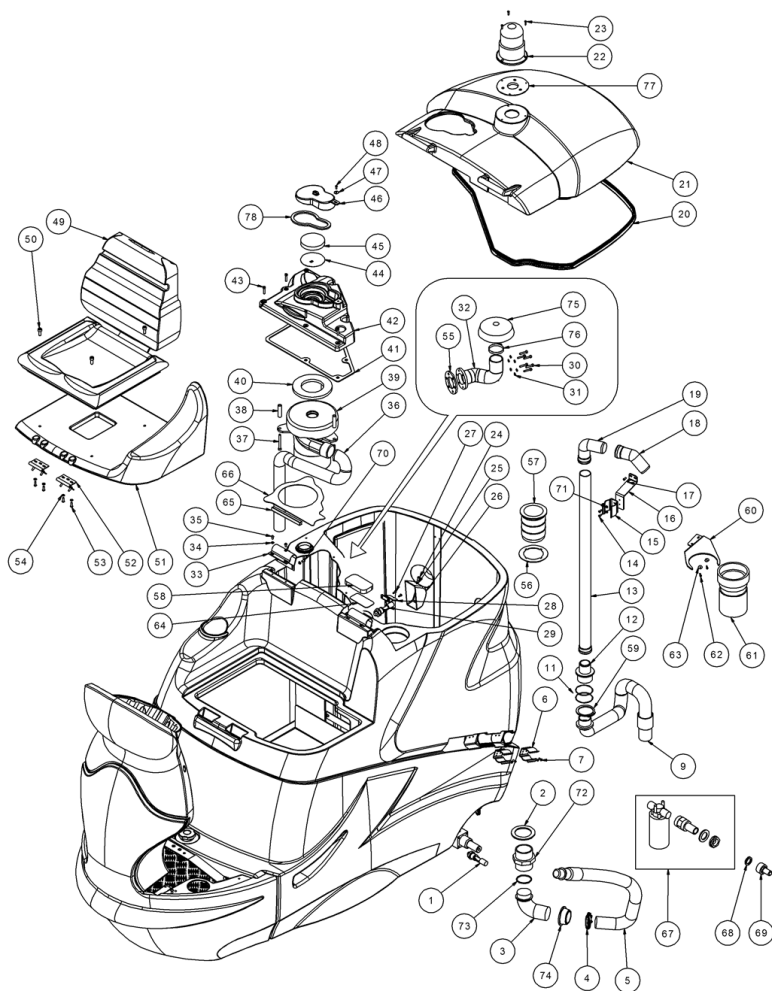
Ref.	K	Part N.	Customer Part N.	Description	Qty	Validity: From To	Price
0079		LAFN08869		SUPPORT -	1,00		--
0080		MECE00531		BOARD DISPLAY CT160-CT230	1,00		--
0081		MECE00532		BOARD LOGIC CT160-CT230 CURTIS	1,00		--
0082		MPVR05840		COVERING -	1,00		--
0083		VTVT16939		SCREW M 4X 16 TSPEI UNI 5933	4,00		--
0084		VTVR00306		INSERT FILETTATO ESAGONALE M5	6,00		--
0085		LAFN08870		BRACKET -	2,00		--
0086		VTVT15965		SCREW TCB-TC 4X12 UNI7687 INX	2,00		--
0087		MEVR01974		LED DIAGNOSTIC CURTIS BOARD	1,00		--
0088		MEVR01574		RING NUT 2204	1,00		--
0089		MEVR01573		SMALL KNOB 2200 V6	1,00		--
0090		MEVR02012		CONTACT -	2,00		--
0091		LAFN06735		SPACER 6-8 H31.5	2,00		--
0092		VTDD01693		NUT M 5 INX	1,00		--
0093		MEVR00644		FUSE MAXIVAL 30A	1,00	10/2011	--
0093		MEVR02048		FUSE 40A	1,00	10/2011	--
0094		VTVT01300		SCREW TE M5X12 INOX	1,00		--
0095		MEVR00613		FUSE CARRIER MAXIVAL with cover	1,00		--
0096		VTDD01693		NUT M 5 INX	2,00		--
0097		VTVT15926		SCREW TE 5X40 UNI5739 INOX	2,00		--
0099		MEVR31185		FUSE 3 A VL.	1,00		--
0100		MEVR01559		FUSE RESETTABLE 4A -ETA-	1,00		--
0101		MEVR01559		FUSE RESETTABLE 4A -ETA-	1,00		--
0102		VTRS15523		WASHER D.10 X21 INOX UNI 6592	4,00		--
0103		VTRS13947		WASHER D. 8 INX UNI 6592	8,00		--
0104		VTRS15146		WASHER D. 8 INX GRW UNI 1751	2,00		--
0105		LAFN07030		SPACER -	1,00		--
0106		MEVR02039		CONTACT	2,00		--
0107		MEVR01925		FUSE 150A	1,00		--
0108		VTRS00516		WASHER D. 5 INX	2,00		--
0109		MECE00456		RELAY CT110	1,00	10/2011	--
0110		VTVT01300		SCREW TE M5X12 INOX	1,00	10/2011	--
0111		MECB01319		WIRING CURTIS	1,00	12/2012	--
0112		MEVR01148		SOCKET	1,00		--
0113		MECB07611		PLUG	1,00		--



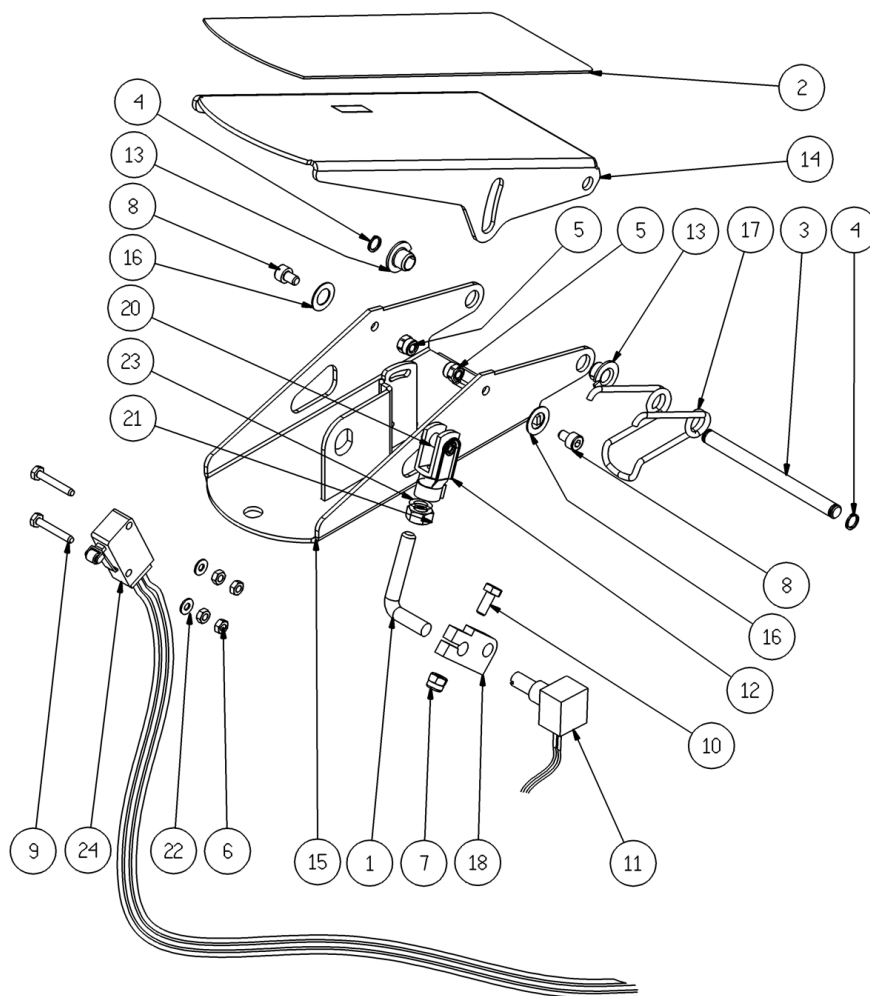
Ref. K	Part N.	Customer Part N.	Description	Qty	Validity:		Price
					From	To	
0001	MECI00533		SENSOR VS303-51N	1,00			--
0002	GUGO00216		GASKET ACQUA SPORCA	1,00			--
0003	RCVR00718		REDUCTION MASCHIO/MASCHIO	1,00		07/2011	--
0003	RCVR00774		CONNECTOR 90°	1,00	07/2011		--
0004	FSVR00095		CLAMP 30-45	1,00			--
0005	TBBP00391		TUBE -	1,00			--
0006	MPVR46988		CLIP LAV. SHK	2,00			--
0007	VTVT15965		SCREW TCB-TC 4X12 UNI7687 INX	4,00			--
0009	KTRI04701		KIT REPLACEMENT TBFX00364	1,00	05/2013		--
0009	TBFX00300		TUBE	1,00		05/2013	--
0011	GUGO00445		O-RING -	2,00			--
0012	LAFN07017		CONNECTOR -	1,00			--
0013	TBBP00480		TUBE -	1,00			--
0014	VTVT00817		SCREW TE M4x12 UNI 5739 INOX	2,00			--
0015	FSVR44166		HOSE CLIP D.50	1,00			--
0016	LAFN07009		BRACKET -	1,00			--
0017	VTVT15961		SCREW M 5X 16 TCB TC UNI 7687	2,00			--
0018	RCVR00765		CONNECTOR -	1,00			--
0019	RCVR00764		CONNECTOR -	1,00			--
0020	GUVR00268		GASKET CT230	1,00			--
0021	MPVR05026		COVER RECOVERY TANK LID CT230	1,00			--
0022	MELF00040		FLASHING LIGHT	1,00		12/2013	--
0022	MELF00053		LAMP -	1,00	12/2013		--
0023	VTVT00752		SCREW TC+ M.4,8-19	3,00			--
0024	VTVT01150		SCREW 4x10	1,00			--
0025	VTRS00570		WASHER -	1,00			--
0026	MPVR05596		PROTECTION -	1,00			--
0027	VTVT07725		SCREW TE 5X16 UNI5739 INX	2,00			--
0028	LAFN08835		BRACKET -	1,00			--
0029	MECI00566		SENSOR -	1,00			--
0030	VTVT07725		SCREW TE 5X16 UNI5739 INX	6,00			--
0031	VTRS00516		WASHER D. 5 INX	6,00			--
0032	MPVR05025		TUBE -	1,00		11/2011	--
0032	MPVR06012		TUBE CT230	1,00	11/2011		--
0033	LAFN06998		HINGE -	2,00			--
0034	VTRS13750		WASHER D. 5X14 INX	8,00			--
0035	VTVT00805		SCREW TBEI M. 5-10	4,00			--
0036	TBFX00344		TUBE CT230	1,00			--
0037	VTVT01310		SCREW TCEI 8X60 INOX UNI5931	3,00			--



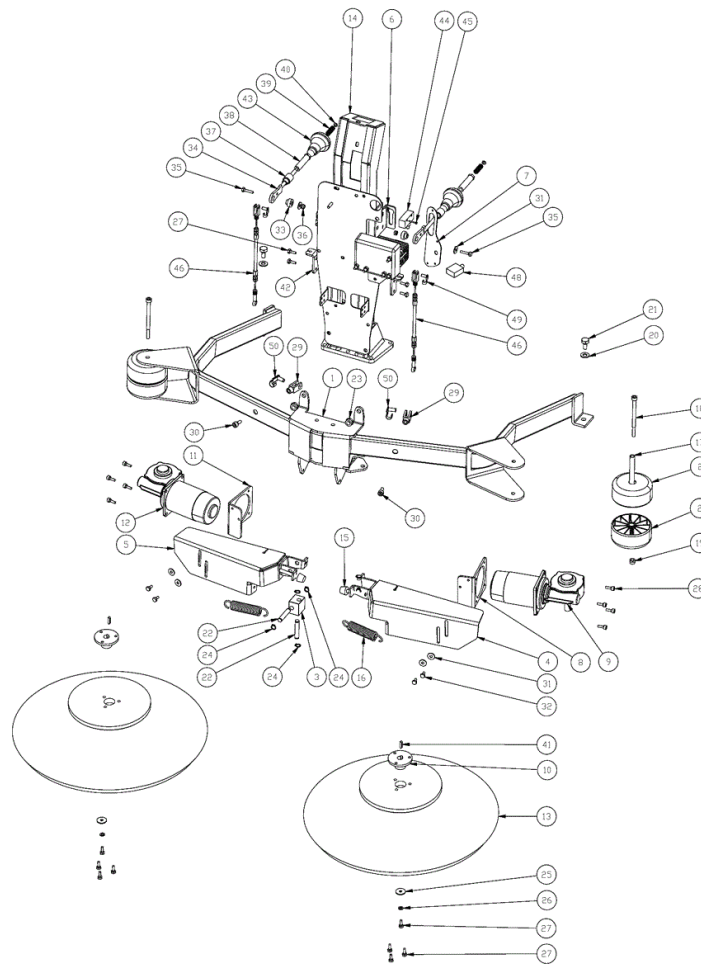
Ref.	K	Part N.	Customer Part N.	Description	Qty	Validity:		Price
						From	To	
0038		LAFN03760		SPACER RUOTA	3,00			--
0039		MOCC00271		MOTOR ASPIR.BIST.36V E-12416-2	1,00			--
0040		GUGO00272		GASKET VACUUM MOTOR CT	1,00			--
0041		GUVR00269		GASKET -	1,00			--
0042		MPVR05027		COVER	1,00			--
0043		VTVT00657		SCREW TCEI M. 5-30	5,00			--
0044		LAFN06999		NET -	1,00			--
0045		FTDP00186		FILTER	1,00			--
0046		MPVR05031		CAP -	1,00			--
0047		VTRS00251		WASHER 4-16 INOX A2	1,00			--
0048		VTVT15965		SCREW TCB-TC 4X12 UNI7687 INX	1,00			--
0049		SESD45981		SEAT SC 73 L.14	1,00			--
0050		VTVT13938		SCREW TE 8X20 UNI5739 INX	2,00			--
0051		MPVR05029		COVERING UNDER SEAT CT230	1,00			--
0052		CEVR00060		HINGE PORTA SEDILE P185	2,00			--
0053		VTVT01300		SCREW TE M5X12 INOX	8,00			--
0054		VTRS13750		WASHER D. 5X14 INX	8,00			--
0055		GUGO00307		GASKET TENUTA TAPPO	1,00			--
0056		GUGO00267		GASKET FILTRO	1,00			--
0057		FTAC48857		FILTER ASP. ACQUA SERB. LAVAP.	1,00			--
0058		GUVR01010		GASKET -	1,00			--
0059		VTAE00082		CIRCLIP D. 50 UNI 7435	1,00			--
0060		LAFN08976		BRACKET -	1,00			--
0061		KTRI15043		WATER FILTER DIRTY INLET TANK	1,00			--
0062		VTVT00727		SCREW TE M. 4-20	2,00			--
0063		VTRS00251		WASHER 4-16 INOX A2	2,00			--
0064		LAFN09008		SHEET METAL PA.-	1,00			--
0065		KTRI02014		KIT -	1,00			--
0066		LAFN08923		BULKWARD -	1,00			--
0067		RCVR00766		SENSOR ACQUASTOP AUTO FILLING	1,00			--
0068		GUVR01011		GASKET 1/2"	1,00			--
0069		RCVR00103		JOINT R 1/2"	1,00			--
0070		VTVT01300		SCREW TE M5X12 INOX	4,00			--
0071		VTRS00515		WASHER D. 4 INX	2,00			--
0072		RCVR00778		NIPPLE 1"1/2	1,00	07/2011		--
0073		GUGO00319		O-RING 1"1/2	1,00	07/2011		--
0074		RCVR00776		CONNECTION 1" 1/2	1,00	07/2011		--
0075		MPVR06015		COVERING -	1,00	11/2011		--
0076		FSVR00033		CLAMP 45-60	1,00	11/2011		--



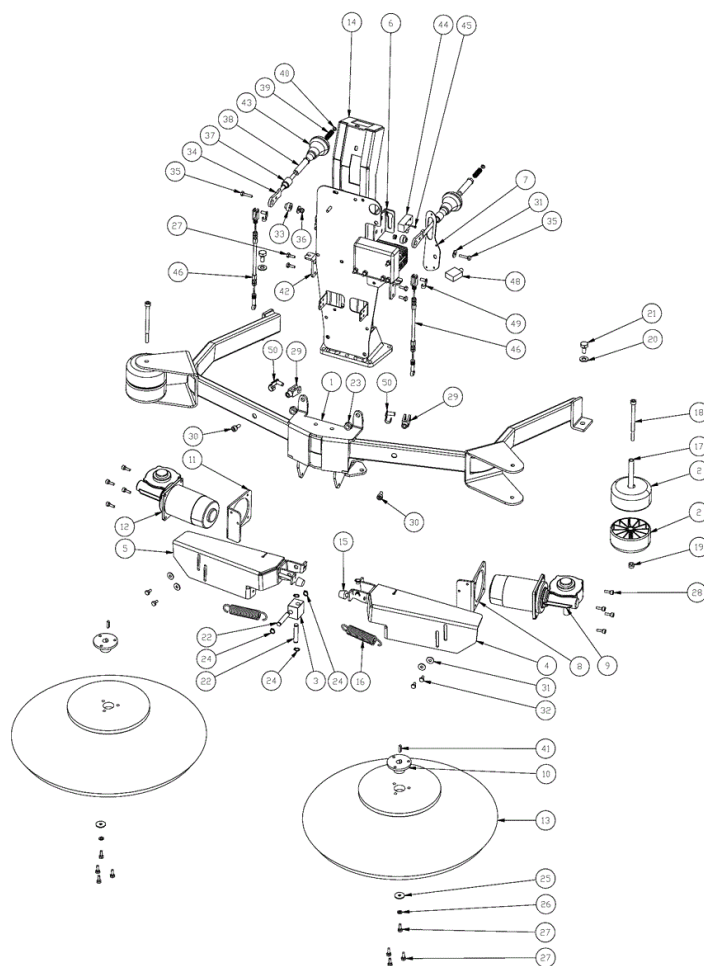
Ref.	K	Part N.	Customer Part N.	Description	Qty	Validity:		Price
						From	To	
0077		MPVR06103		BRACKET -	1,00	12/2013		--
0078		GUVR00320		GASKET -	1,00	11/2014		--



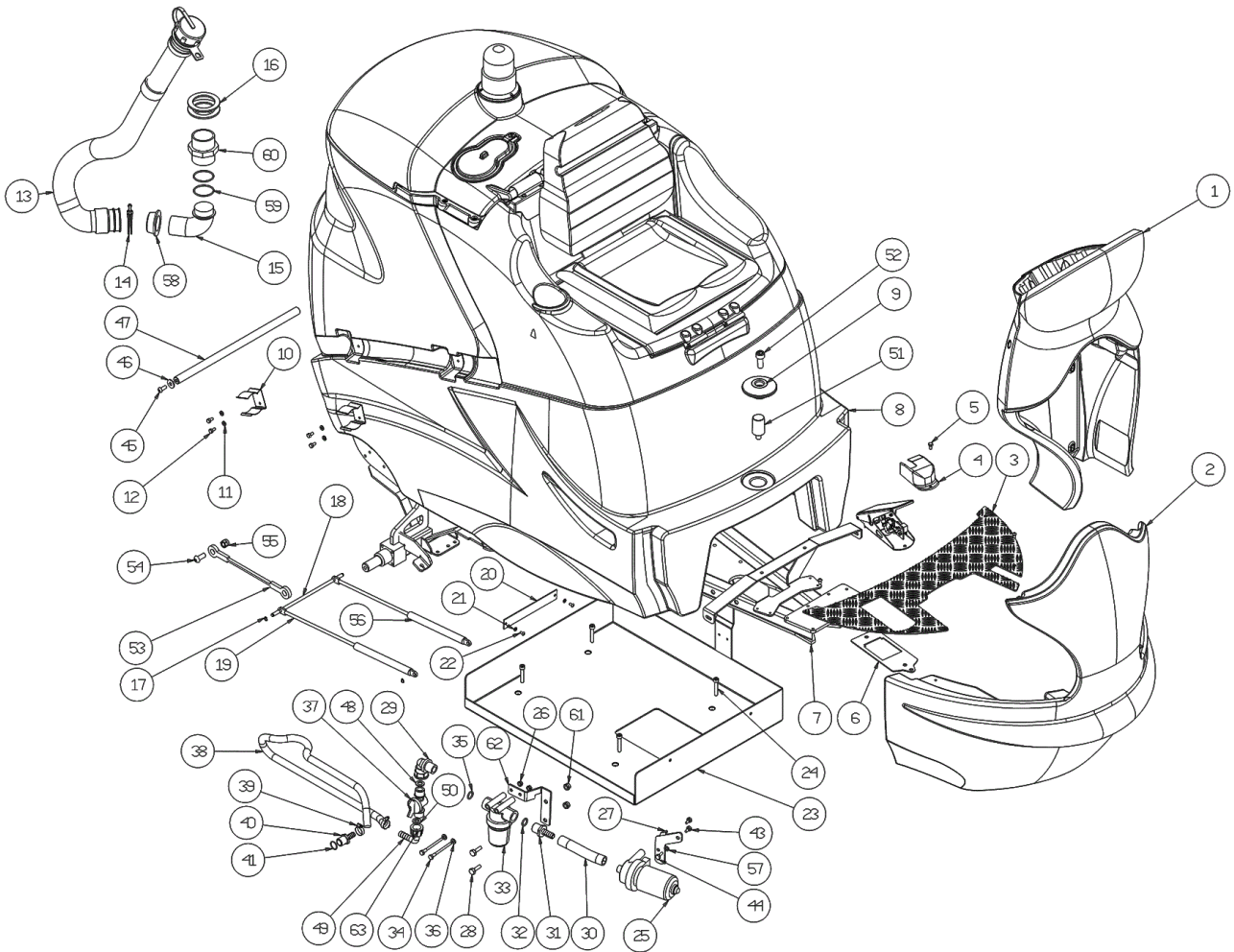
Ref.	K	Part N.	Customer Part N.	Description	Qty	Validity:		Price
						From	To	
0001		LAFN00909		BRACKET BIELLETTA PEDALE	1,00			--
0002		MPVR00866		PLANE ANTISDRUCCIOLO G1050	1,00			--
0003		LAFN00524		PIN PEDALE TK 1050	1,00			--
0004		VTAE48552		CIRCLIP D. 6 UNI 7435	2,00			--
0005		VTDD04369		NUT M 4 TEF UNI 7473	2,00			--
0006		VTDD21115		NUT M 3 INOX	2,00			--
0007		VTDD04369		NUT M 4 TEF UNI 7473	1,00			--
0008		VTVT00089		SCREW TCCE UNI 5931 4X10 ZB	2,00			--
0009		VTVT00654		SCREW TC+ M.3-20	2,00			--
0010		VTVT00727		SCREW TE M. 4-20	1,00			--
0011		MECB01227		WIRING ACCELERATOR	1,00			--
0012		CMCV75717		CLIP UNI 1676 M6	1,00			--
0013		CUVR00183		BUSHING -	2,00			--
0014		LAFN06474		SHEET METAL PA.PEDALE	1,00			--
0015		LAFN07532		BUSHING -	1,00			--
0016		MPVR05528		WASHER -	2,00			--
0017		MLML00034		SPRING PEDALE AVANZAMENTO G1050	1,00			--
0018		LAFN01149		CONNECTING ROD PEDALE AVANZAMENTO G1050	1,00			--
0020		CMCV76639		FORK M 6 UNI 1676	1,00			--
0021		VTDD00482		NUT M 6 ZIN UNI 5588	1,00			--
0022		VTRS00117		WASHER 3.2X7 UNI6592	2,00			--
0023		VTRS01079		WASHER D. 6 GROWER	1,00			--
0024		MECB01228		WIRING -	1,00			--



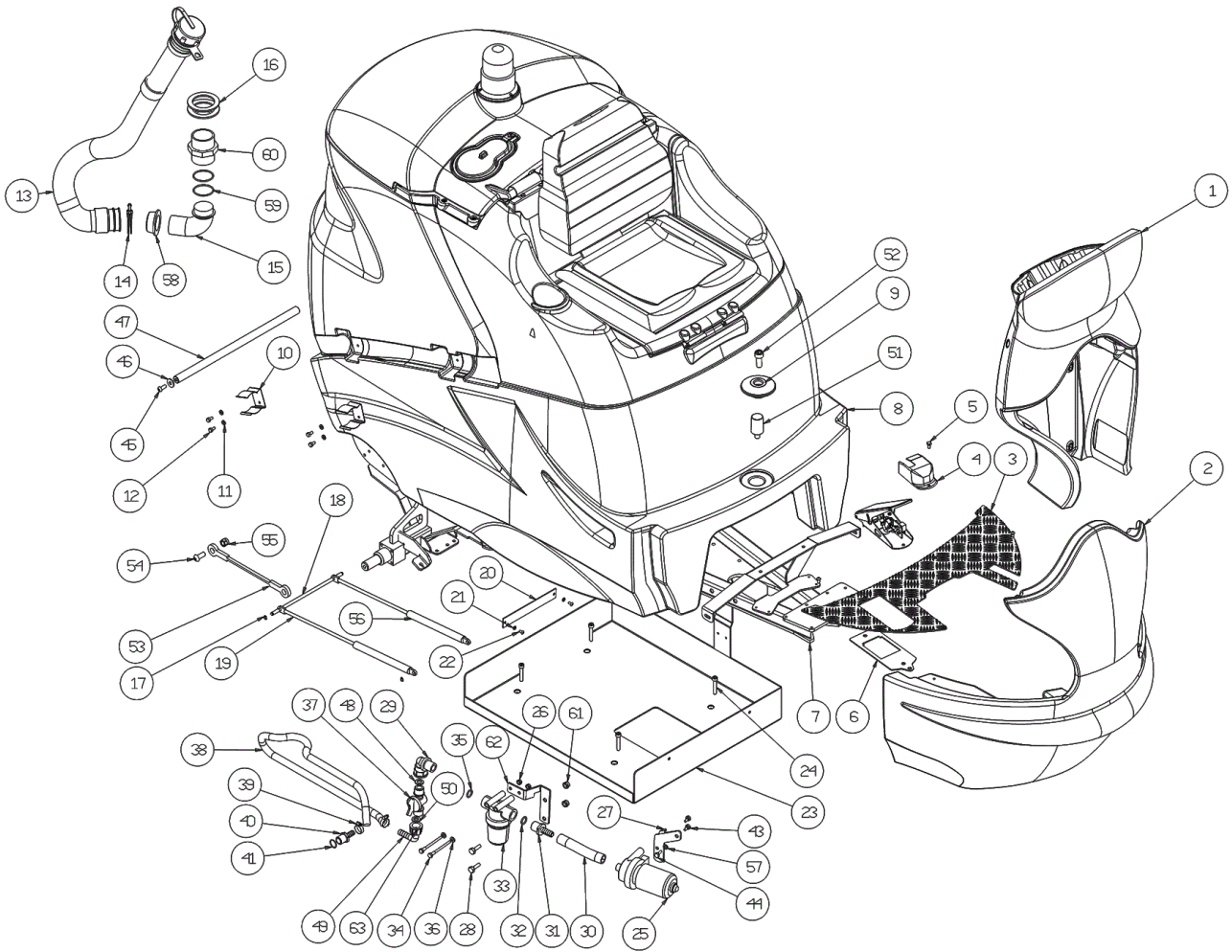
Ref. K	Part N.	Customer Part N.	Description	Qty	Validity:		Price
					From	To	
0001	LAFN08098		BUMPER CT230R	1,00			--
0002	RTRT00510		WHEEL ANTIRIBALTAMENTO	4,00			--
0003	LAFN00154		BLOCK BRACCI SPAZ.LAT.TK1050	2,00			--
0004	LAFN08100		SUPPORT MOTOR	1,00			--
0005	LAFN08099		SUPPORT MOTOR	1,00			--
0006	LAFN07597		BRACKET -	2,00			--
0007	LAFN07599		COVER -	2,00			--
0008	LAFN00809		PLATE PORTASPAZZ.LAT.SX TK1050	1,00			--
0009	MOCC00367		MOTOR -	1,00			--
0010	LAFN45010		FLANGE L.1400 LT.	2,00			--
0011	LAFN00808		PLATE PORTASPAZZ.LAT.DX TK1050	1,00			--
0012	MOCC00366		MOTOR -	1,00			--
0013	SPPV00018		BRUSH LATERALE TK1300/TK1200	2,00			--
0014	LAFN05787		ASSEMBLED PIANTONE	1,00			--
0015	ABGO00055		VIBRATION DAMP.-	2,00			--
0016	MLML45102		SPRING TR	2,00			--
0017	LAFN04127		PIN RULLO PARACOLPI	2,00			--
0018	VTVT67560		SCREW TCEI M8X110 INOX AISI 304	2,00			--
0019	VTDD01695		NUT M 8 INX	2,00			--
0020	VTRS15523		WASHER D.10 X21 INOX UNI 6592	2,00			--
0021	VTVT13936		SCREW TE M 10X 20	2,00			--
0022	LAFN01148		PIN SPAZZOLE LATERALI	4,00			--
0023	VTDD10310		NUT AUTOBL.M10 INOX DIN 985	2,00			--
0024	VTAE87276		SEEGER EXT. D10 DIN471	8,00			--
0025	VTRS63242		WASHER D. 6 X24 ZC	2,00			--
0026	VTRS15144		WASHER D. 6 INX GRW UNI 1751	2,00			--
0027	VTVT15143		SCREW TE 6X16 UNI5739	12,00			--
0028	VTVT09913		SCREW TCEI 6X16 UNI5931	8,00			--
0029	CMCV00001		FORK UNI 1676 M8X16	2,00			--
0030	VTVT00876		SCREW TCEI M.8-16	2,00			--
0031	VTRS13945		WASHER D. 6X18 INX UNI 6593	8,00			--
0032	VTVT15906		SCREW TE 6X 12 A2 UNI 5739	4,00			--
0033	LAFN00153		BUSHING LEVA ALZA SPAZ.LAT.ZINC.	2,00			--
0034	LAFN00803		ARM ALZASPAZZOLA LATER.1050	2,00			--
0035	VTVT15141		SCREW TE M 6X 25 UNI 5739 INX	2,00			--
0036	VTDD01694		NUT M6 INOX	2,00			--
0037	LAFN07612		BUSHING -	2,00			--
0038	LAFN00523		DOOR MOLLA ALZA SPAZZOLA	2,00			--
0039	MLML00027		SPRING POMOLO SPAZZ.CENTRALE	2,00			--



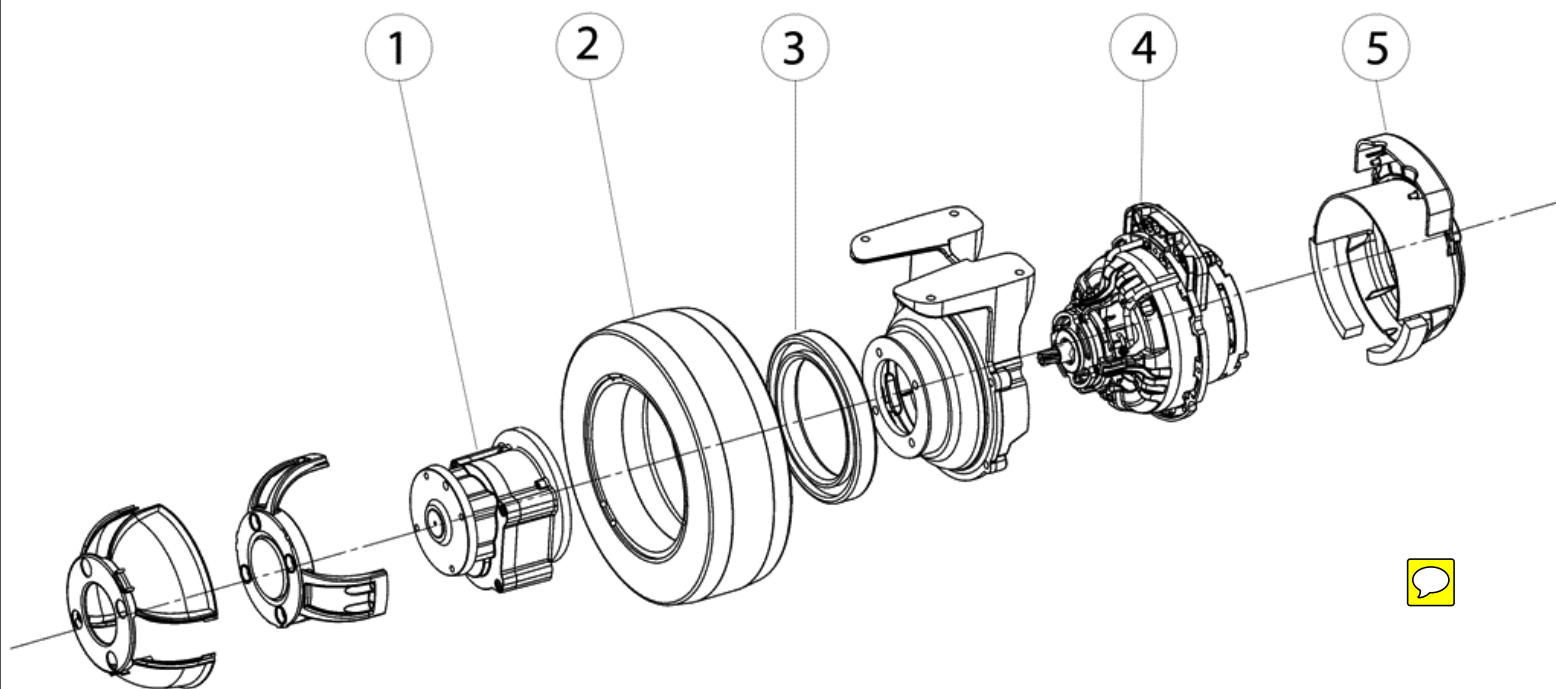
Ref. K	Part N.	Customer Part N.	Description	Qty	Validity:		Price
					From	To	
0040	VTRS00502		WASHER D. 5 0.466 UNI 6592	2,00			--
0041	VTVR13165		KEY 5X5X20	2,00			--
0042	LAFN09211		BRACKET CT230 R	2,00			--
0043	MPVR00868		KNOB ALZASPazzOLA LAT.G1050	2,00			--
0044	MECI75801		MICROSWITCH TK	2,00			--
0045	VTVT01350		SCREW M3-20 INOX	4,00			--
0046	CMCV00458		CABLE -	2,00			--
0049	CMCV75717		CLIP UNI 1676 M6	2,00			--
0050	CMCV75718		CLIP UNI 1676 M8	2,00			--



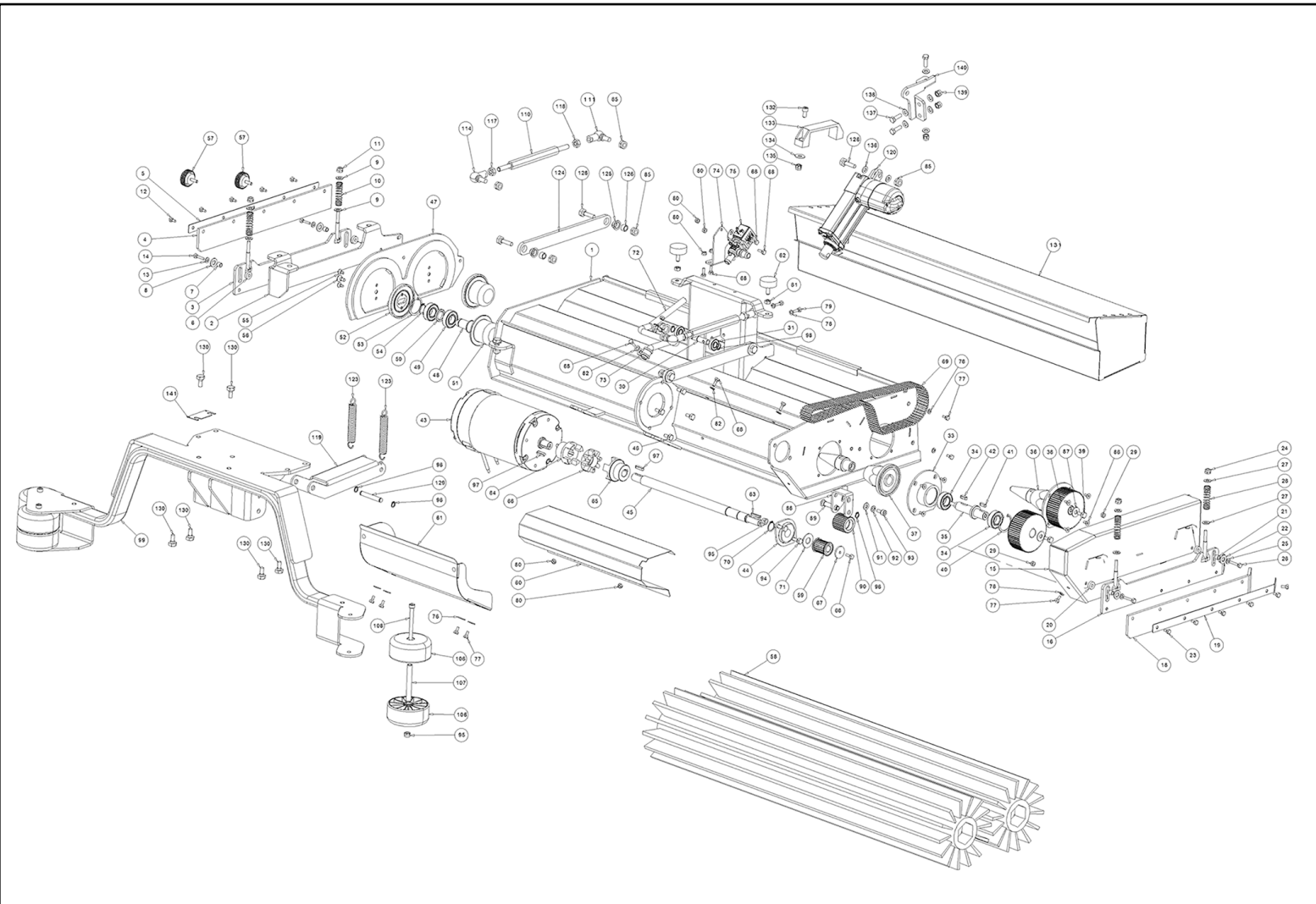
Ref.	K	Part N.	Customer Part N.	Description	Qty	Validity:		Price
						From	To	
0001		MPVR05819		SIDE PANEL -	1,00			--
0002		MPVR05028		BODY SIDE	1,00			--
0003		LAFN07015		PLANE -	1,00			--
0004		MPVR00302		CRANKCASE PEDALE AVANZAMENTO	1,00			--
0005		VTVT15906		SCREW TE 6X 12 A2 UNI 5739	2,00			--
0006		LAFN07001		FLANGE -	1,00			--
0007		LAFN06991		FRAME -	1,00			--
0008		KTRI02057		KIT TANK 230	1,00			--
0009		MPVR05949		FLANGE CT230	1,00			--
0010		FSVR44166		HOSE CLIP D.50	2,00			--
0011		VTRS00245		WASHER D.6 UNI 6592 INOX	4,00			--
0012		VTVT15906		SCREW TE 6X 12 A2 UNI 5739	4,00			--
0013		TBBP00388		TUBE -	1,00		10/2012	--
0013		TBBP00487		TUBE DRAIN PU CT230	1,00	10/2012		--
0014		FSVR00033		CLAMP 45-60	1,00			--
0015		RCVR00719		REDUCTION MASCHIO/MASCHIO	1,00		07/2011	--
0015		RCVR00775		CONNECTOR 90°	1,00	07/2011		--
0016		GUVR00271		GASKET X RACCORDO 2"	2,00			--
0017		VTAE00083		CIRCLIP D. 8	6,00			--
0018		LAFN07011		PIN -	1,00			--
0019		MLML00296		PISTON -	1,00			--
0020		LAFN07010		BRACKET -	3,00			--
0021		VTRS13750		WASHER D. 5X14 INX	6,00			--
0022		VTVT15961		SCREW M 5X 16 TCB TC UNI 7687	6,00			--
0023		LAFN06992		CONTAINER -	1,00			--
0024		VTVT00889		SCREW TCEI M. 8-45	4,00			--
0025		PPEL00025		PUMP EST. 36V	1,00			--
0026		VTDD01694		NUT M6 INOX	2,00			--
0027		LAFN09210		BRACKET CT230 R	1,00			--
0028		VTVT15907		SCREW TE 8X25 UNI5739 INX	2,00			--
0029		RCVR00541		CURVED CONNECT.M/F G1/2 COD.126-2022	1,00			--
0031		RCVR00547		CONNECTOR PORTAG. DIRIT	1,00			--
0032		GUGO36290		O-RING D. 17.04 X 3.53 NBR 70SH	1,00			--
0033		FTAC00038		FILTER G1/2 INOX	1,00			--
0034		VTVT00699		SCREW TE M. 6-70	2,00			--
0035		GUGO36290		O-RING D. 17.04 X 3.53 NBR 70SH	1,00			--
0036		VTRS00245		WASHER D.6 UNI 6592 INOX	2,00			--
0037		RCGR00078		VALVE WATER	1,00			--
0040		RCVR00542		CURVED CONNECT.M G1/2 PORTAG. 113-2213	1,00			--



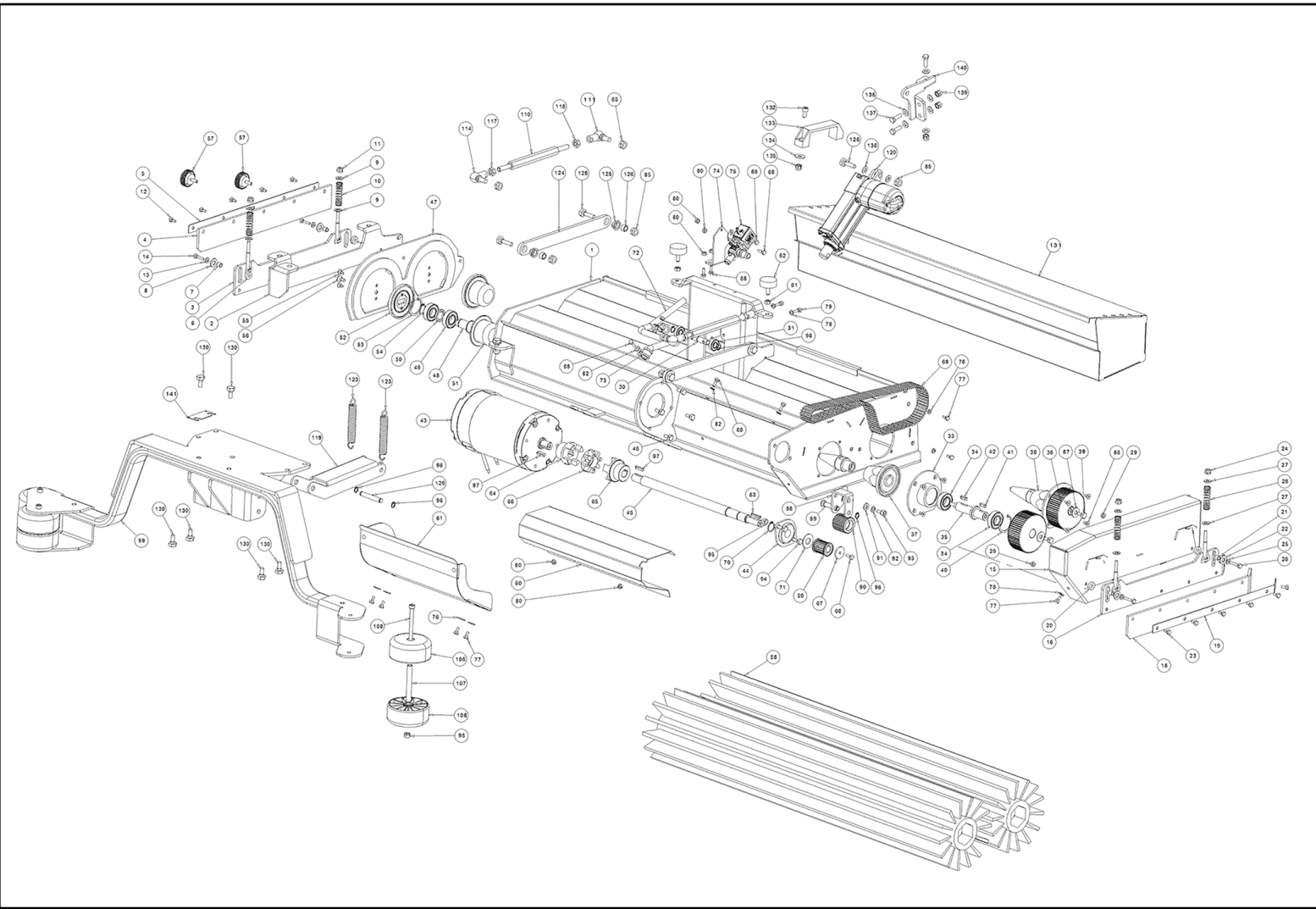
Ref.	K	Part N.	Customer Part N.	Description	Qty	Validity:		Price
						From	To	
0041		GUGO31088		O-RING D. 12 X 2.50 NBR 70SH	1,00			--
0042		VTVT00640		SCREW TBEI M 6-12 INOX	4,00			--
0043		VTVT15906		SCREW TE 6X 12 A2 UNI 5739	2,00			--
0044		VTVT15143		SCREW TE 6X16 UNI5739	1,00			--
0045		VTVT00779		SCREW TBEI M.8-16	2,00			--
0046		VTRS16323		WASHER D. 8 X32 UNI 6593 INX	2,00			--
0047		LAFN07007		PIN -	1,00			--
0048		GUGO00427		GASKET -	1,00			--
0049		RCVR00752		CONNECTOR G1/2"G	1,00			--
0050		GUGO00427		GASKET -	1,00			--
0051		LAFN07014		PIN -	1,00			--
0052		VTVT00307		SCREW TCEI M10X30	1,00			--
0053		CMCV00455		CABLE -	2,00			--
0054		VTVT01195		SCREW TBEI M 8X 25 ISO 7380 IX	2,00			--
0055		VTDD01695		NUT M 8 INX	2,00			--
0056		MLML00330		SPRING -	1,00			--
0057		VTRS15144		WASHER D. 6 INX GRW UNI 1751	1,00			--
0058		RCVR00777		CONNECTION 2"	1,00	07/2011		--
0059		GUGO00320		O-RING 2"	2,00	07/2011		--
0060		RCVR00779		NIPPLE 2"	1,00	07/2011		--
0061		VTDD01695		NUT M 8 INX	2,00			--
0062		LAFN09209		BRACKET FILTER CT230 R	1,00			--
0063		MPVR05240		RING NUT G1/2	1,00			--



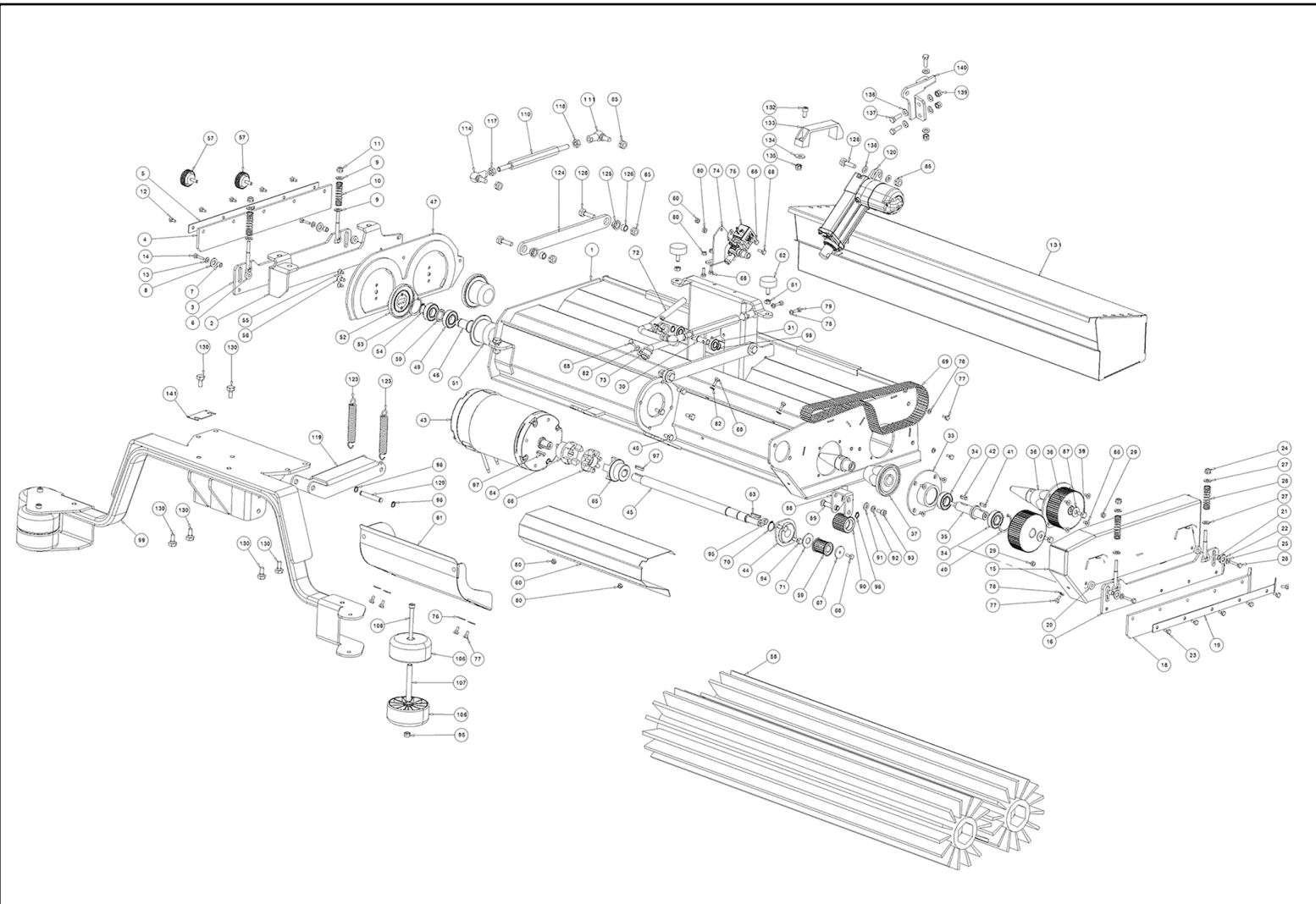
Ref. K	Part N.	Customer Part N.	Description	Qty	Validity:		Price
					From	To	
0001	RDGR00039		REDUCTION UNIT -	1,00			--
0002	RTRT00442		WHEEL PU BLUE CT230 300x100	1,00			--
0003	CUVR00194		BEARING 61926 2RS	1,00			--
0004	MOCC00407		MOTOR ELECTRIC TRAC.-WHEEL 230	1,00			--
0005	MPVR04999		CAP	1,00			--



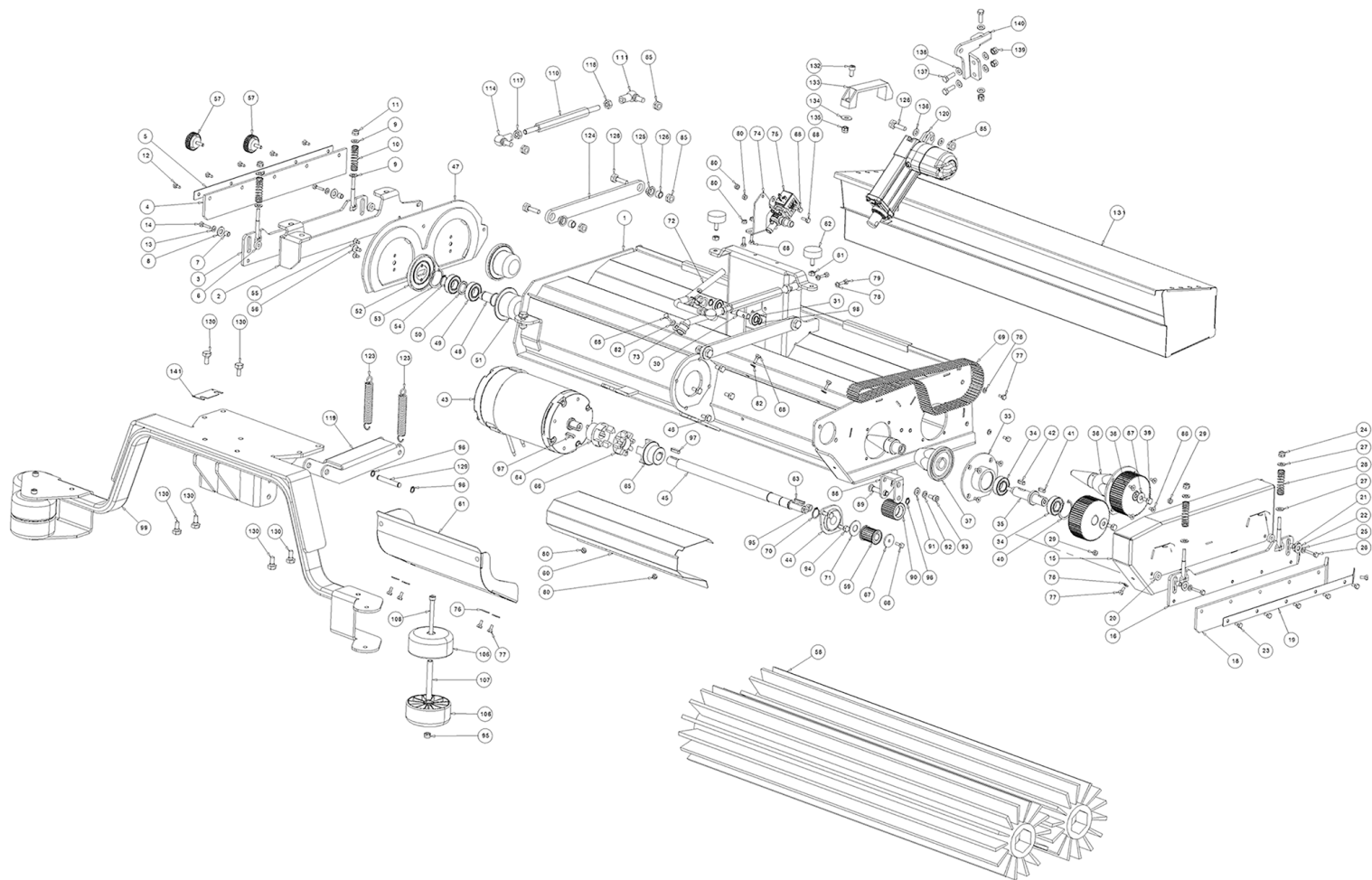
Ref.	K	Part N.	Customer Part N.	Description	Qty	Validity:		Price
						From	To	
0001		LAFN08056		HEAD CT230	1,00			--
0002		LAFN09219		SUPPORT DX	1,00			--
0003		LAFN08076		SUPPORT DX	1,00			--
0004		MPVR06262		FLAP DX CT230	1,00			--
0005		LAFN08077		BRACKET DX	1,00			--
0006		LAFN06396		SPACER FLAP SX	1,00			--
0007		LAFN04184		BUSHING P185 ROLL.	2,00			--
0008		VTRS15523		WASHER D.10 X21 INOX UNI 6592	2,00			--
0009		VTRS13947		WASHER D. 8 INX UNI 6592	4,00			--
0010		MLML00302		SPRING REGISTRAZIONE FLAP	2,00			--
0011		VTDD01695		NUT M 8 INX	2,00			--
0012		VTVT15906		SCREW TE 6X 12 A2 UNI 5739	5,00			--
0013		VTRS00503		WASHER D. 6 TE UNI 6798	2,00			--
0014		VTVT15141		SCREW TE M 6X 25 UNI 5739 INX	2,00			--
0015		LAFN08074		PLANE SX	1,00			--
0016		LAFN08075		SUPPORT SX	1,00			--
0018		MPVR06263		FLAP SX CT230	1,00			--
0019		LAFN08079		BRACKET SX	1,00			--
0020		LAFN06396		SPACER FLAP SX	2,00			--
0021		LAFN04184		BUSHING P185 ROLL.	2,00			--
0022		VTRS15523		WASHER D.10 X21 INOX UNI 6592	2,00			--
0023		VTVT15906		SCREW TE 6X 12 A2 UNI 5739	6,00			--
0024		VTDD01695		NUT M 8 INX	2,00			--
0025		VTRS00503		WASHER D. 6 TE UNI 6798	2,00			--
0026		VTVT00433		SCREW TE M 6X 30 UNI 5739 INX	2,00			--
0027		VTRS13947		WASHER D. 8 INX UNI 6592	4,00			--
0028		MLML00302		SPRING REGISTRAZIONE FLAP	2,00			--
0029		VTDD01694		NUT M6 INOX	2,00			--
0030		LAFN08082		PIN -	2,00			--
0031		CUVR46942		BALL BEARING 6001-2RS1 -SKF	2,00			--
0033		LAFN08057		FLANGE .	1,00			--
0034		CUVR19846		BALL BEARING 6004 2RS1	2,00			--
0035		ALTR00092		SHAFT -	1,00			--
0036		LAFN10125		SHAFT INSERIMENTO SPAZZOLE	1,00			--
0037		LAFN08059		DRIVE DISK .	1,00			--
0038		MTPL00210		PULLEY -	1,00			--
0039		VTVT15916		SCREW TE M 8X 16 UNI 5739 A2	1,00			--
0040		VTAE14086		CIRCLIP D. 42 UNI 7437	1,00			--
0041		VTVR00053		KEY UNI 6604 6X6X18	1,00			--



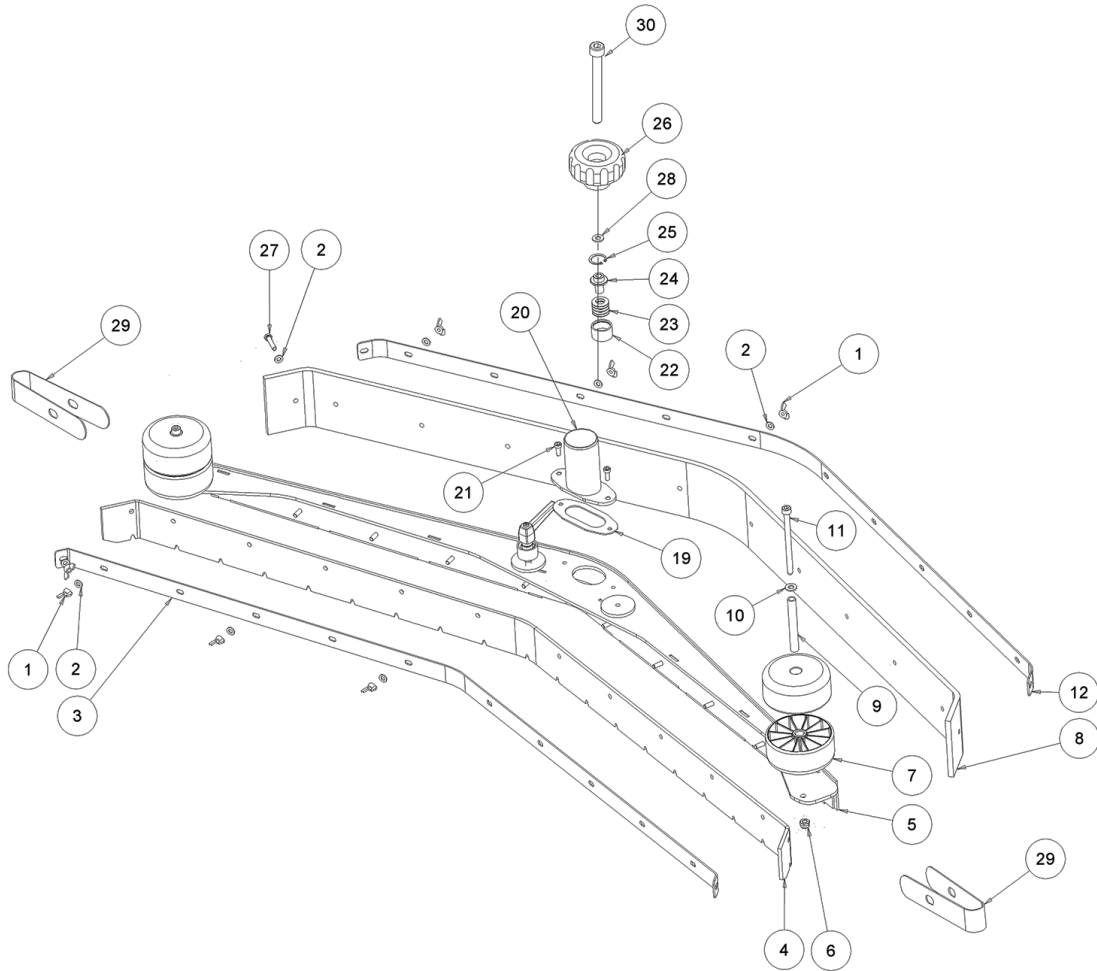
Ref.	K	Part N.	Customer Part N.	Description	Qty	Validity:		Price
						From	To	
0042		VTVR28706		KEY 6X 6X20 UNI 6604A	1,00			--
0043		MOCC00421		MOTOR -	1,00			--
0044		CUVR00105		SUPPORT	1,00			--
0045		ALTR00093		SHAFT -	1,00			--
0046		VTVT15916		SCREW TE M 8X 16 UNI 5739 A2	4,00			--
0047		LAFN08097		PLANE DX	1,00			--
0048		LAFN08089		PIN -	2,00			--
0049		CUVR19846		BALL BEARING 6004 2RS1	4,00			--
0050		LAFN08088		SPACER -	2,00			--
0051		LAFN08087		ROLLER -	2,00			--
0052		LAFN08086		PROTECTION -	2,00			--
0053		VTAE14086		CIRCLIP D. 42 UNI 7437	2,00			--
0054		VTAE06193		CIRCLIP D. 20 UNI 7435	2,00			--
0055		VTVT00678		SCREW	4,00			--
0056		VTVT00790		SCREW TSPEI M8X16	2,00			--
0057		VTVT00125		HANDWHEEL D.40 M6X15	2,00			--
0058		SPPV01330		ROLLER D180X984	2,00			--
0059		MTPL00154		PULLEY MOTORE TESTATA P185	1,00			--
0060		LAFN08081		CRANKCASE -	1,00			--
0061		LAFN08080		PROTECTION MOTOR	1,00			--
0062		ABGO00026		VIBRATION DAMP.	2,00			--
0063		VTVR13164		KEY 5X5X30	1,00			--
0064		ALTR00094		HUB -	1,00			--
0065		ALTR00094		HUB -	2,00			--
0066		MPVR06304		RING -	1,00			--
0067		VTRS00573		WASHER 30x6x3	1,00			--
0068		VTVT15143		SCREW TE 6X16 UNI5739	10,00			--
0069		MTCG00137		BELT -	1,00			--
0070		VTAE06193		CIRCLIP D. 20 UNI 7435	1,00			--
0071		LAFN36058		WASHER INOX Ø15,3X35 SP2	1,00			--
0073		FSVR00043		CLAMP d.16	1,00			--
0074		LAFN08101		SUPPORT EV	1,00			--
0075		MEEV00043		SOLENOID VALVE	1,00			--
0076		VTRS13945		WASHER D. 6X18 INX UNI 6593	4,00			--
0077		VTVT15906		SCREW TE 6X 12 A2 UNI 5739	7,00			--
0078		VTRS15144		WASHER D. 6 INX GRW UNI 1751	5,00			--
0079		VTVT13939		SCREW TE 6X20 UNI5739 INX	2,00			--
0080		VTDD01694		NUT M6 INOX	7,00			--
0081		VTDD15521		NUT M 8 INX A2 UNI 5588	2,00			--



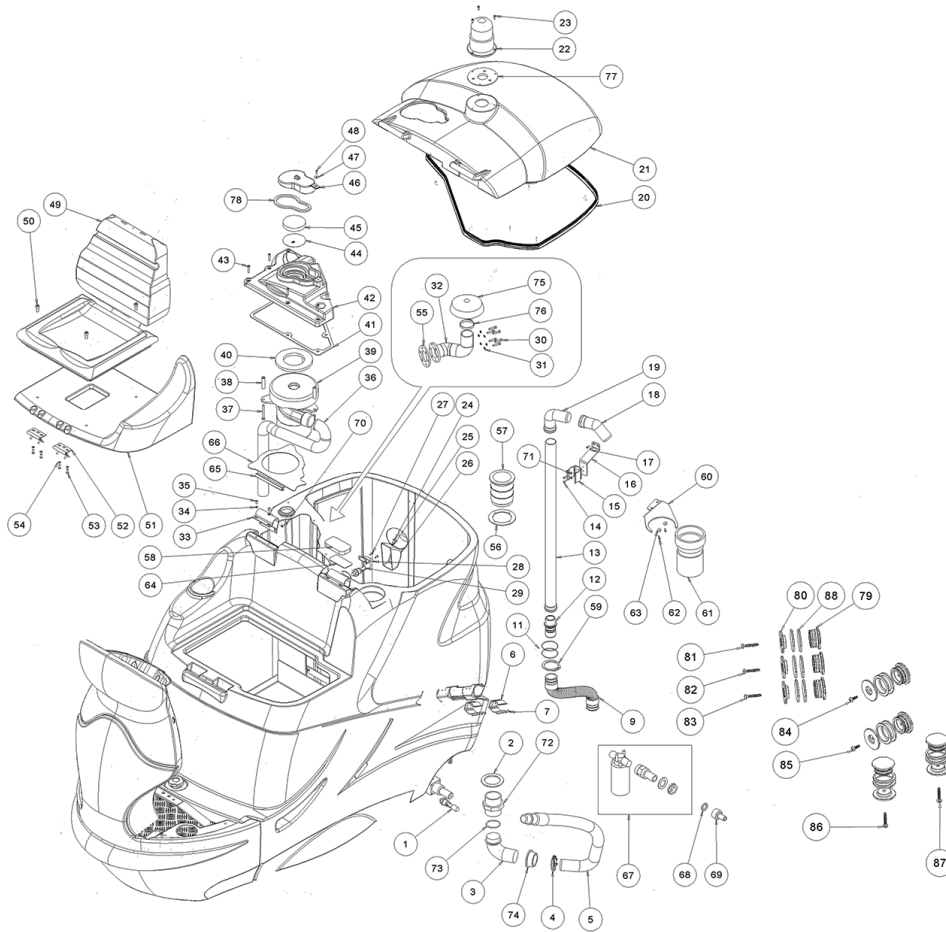
Ref.	K	Part N.	Customer Part N.	Description	Qty	Validity:		Price
						From	To	
0082		VTRS00245		WASHER D.6 UNI 6592 INOX	4,00			--
0085		VTDD10310		NUT AUTOBL.M10 INOX DIN 985	10,00			--
0086		VTVT00678		SCREW	8,00			--
0087		VTRS13946		WASHER D. 8 X24 INX UNI 6593	2,00			--
0088		LAFN06848		SUPPORT TENDICINGHIA	1,00			--
0089		LAFN06847		PIN TENDICINGHIA	1,00			--
0090		MTPL00193		ROLLER Z26	1,00			--
0091		VTRS13947		WASHER D. 8 INX UNI 6592	2,00			--
0092		VTRS15146		WASHER D. 8 INX GRW UNI 1751	2,00			--
0093		VTVT00876		SCREW TCEI M.8-16	2,00			--
0094		VTVT13938		SCREW TE 8X20 UNI5739 INX	2,00			--
0095		VTDD01695		NUT M 8 INX	5,00			--
0096		VTAE87276		SEEGER EXT. D10 DIN471	3,00			--
0097		VTVR23472		KEY 6X6X25	1,00			--
0098		VTAE14016		CIRCLIP D. 12 UNI 7435	2,00			--
0099		LAFN08096		BRACKET CT230 R	1,00			--
0106		RTRT00510		WHEEL ANTIRIBALTAMENTO	6,00			--
0107		LAFN04127		PIN RULLO PARACOLPI	3,00			--
0108		VTVT67560		SCREW TCEI M8X110 INOX AISI 304	3,00			--
0110		LAFN09238		PIN CT230	1,00			--
0111		VTVR00133		ARTICULATION RIGHT THREAD M10	1,00			--
0114		VTVR00118		ARTICULATION LEFT THREAD M10	1,00			--
0117		VTDD00211		NUT UNI 5589 M16 THREAD LEFT	1,00			--
0118		VTDD15522		NUT M10 INOX UNI5588	1,00			--
0119		LAFN09208		BRACKET CT230 R	1,00			--
0120		MOCC00388		ATUATOR BRUSH HEAD 36V 1500N	1,00			--
0123		MLML31130		SPRING D. 17.5 X110 N38	2,00			--
0124		LAFN08102		ARM CT230R	2,00			--
0125		CUVR00192		BUSHING -	3,00			--
0126		LAFN09249		BUSHING -	3,00			--
0128		VTVT00715		SCREW TE M.10-35	5,00			--
0129		LAFN08092		PIN -	1,00			--
0130		VTVT13936		SCREW TE M 10X 20	6,00			--
0131		LAFN08073		DRAWER CT230	1,00			--
0132		VTVT00876		SCREW TCEI M.8-16	2,00			--
0133		MPVR01499		HANDLE	1,00			--
0134		VTRS13946		WASHER D. 8 X24 INX UNI 6593	2,00			--
0135		VTDD01695		NUT M 8 INX	2,00			--
0136		VTRS15523		WASHER D.10 X21 INOX UNI 6592	2,00			--



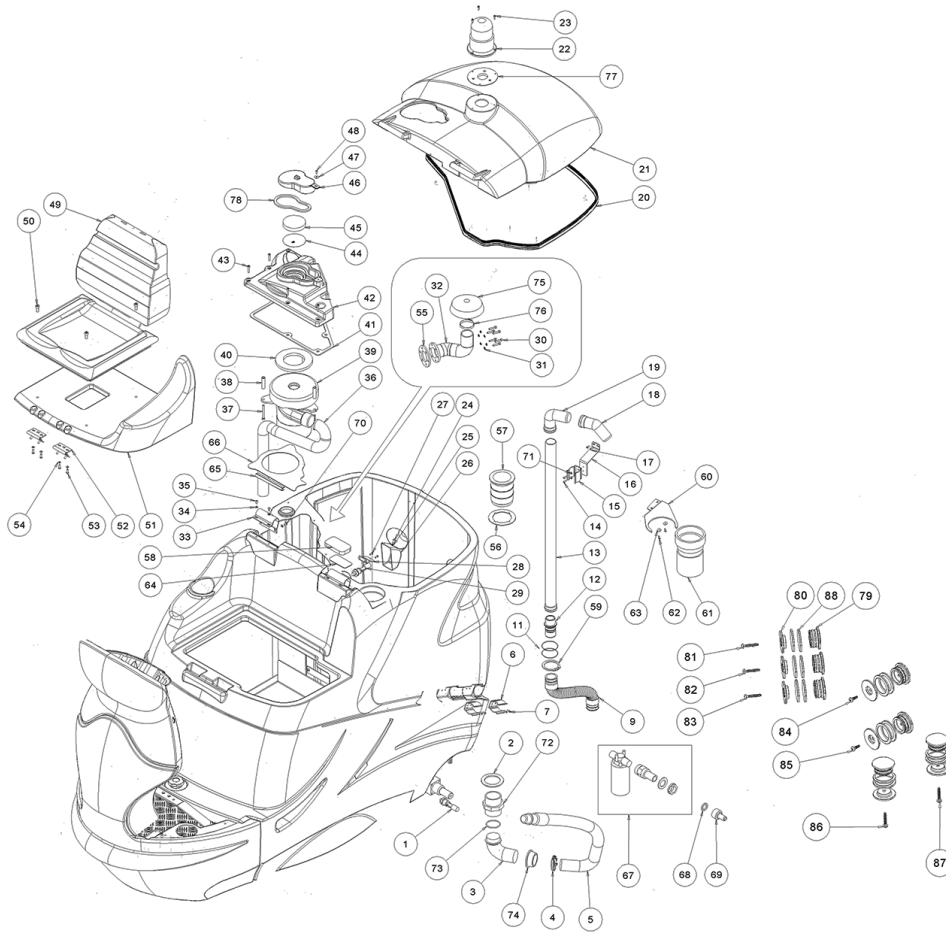
Ref. K	Part N.	Customer Part N.	Description	Qty	Validity:		Price
					From	To	
0137	VTVT15907		SCREW TE 8X25 UNI5739 INX	3,00			--
0138	VTRS13947		WASHER D. 8 INX UNI 6592	6,00			--
0139	VTDD01695		NUT M 8 INX	3,00			--
0140	LAFN07877		BRACKET -	1,00			--
0141	LAFN08164		THICKNESS -	3,00	01/2015		--



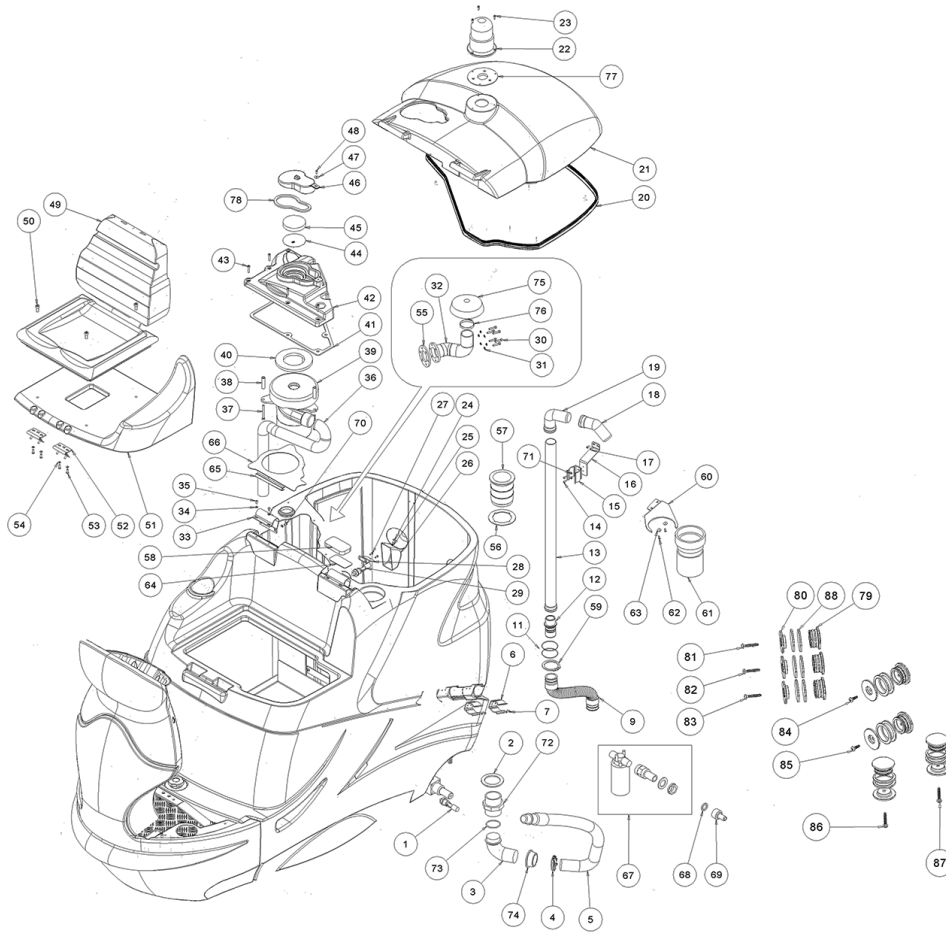
Ref. K	Part N.	Customer Part N.	Description	Qty	Validity:		Price
					From	To	
0001	VTDD00171		NUT M6 INOX	14,00			--
0002	VTRS00245		WASHER D.6 UNI 6592 INOX	16,00			--
0003	LAFN08930		BRACKET -	1,00			--
0004	MPVR05885		BLADE SQUEEGEE FRONT CT230-105	1,00			--
0005	LAFN08929		FLOOR WIPER -	1,00			--
0006	VTDD01695		NUT M 8 INX	2,00			--
0007	RTRT00510		WHEEL ANTIRIBALTAMENTO	4,00			--
0008	MPVR05886		BLADE SQUEEGEE REAR LATEX CT230	1,00			--
0009	LAFN04127		PIN RULLO PARACOLPI	2,00			--
0010	VTRS13946		WASHER D. 8 X24 INX UNI 6593	2,00			--
0011	VTVT67560		SCREW TCEI M8X110 INOX AISI 304	2,00			--
0012	LAFN08931		BRACKET -	1,00			--
0019	GUGO06700		GASKET SQUEEGEE	1,00			--
0020	LAFN08938		CONNECTOR -	1,00			--
0021	VTVT00717		SCREW TCEI M. 6-16	2,00			--
0022	LAFN04137		CONTAINER MOLLE A TAZZA	2,00			--
0023	MLML00245		SPRING A TAZZA	12,00			--
0024	LAFN07939		PLATE XS	2,00			--
0025	VTAE13513		CIRCLIP D. 26 UNI 7437	2,00			--
0026	VTVR00047		HANDWHEEL D.50 M8	2,00			--
0027	VTVT00433		SCREW TE M 6X 30 UNI 5739 INX	2,00			--
0028	VTRS13947		WASHER D. 8 INX UNI 6592	2,00			--
0029	MPVR06002		DUCT LOCK FLAP CT230	2,00			--
0030	VTVT01198		SCREW TCEI M8X70	2,00			--



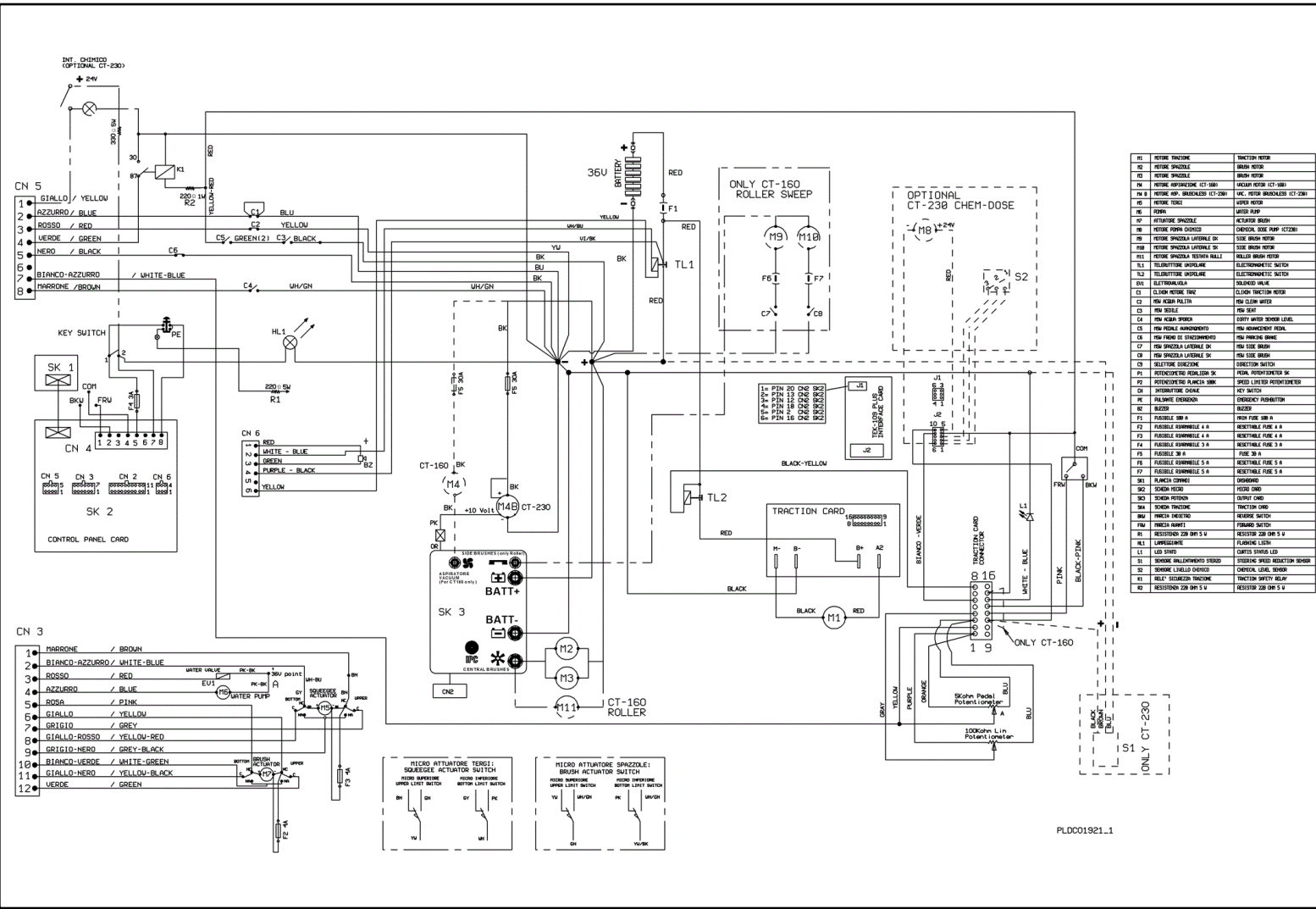
Ref. K	Part N.	Customer Part N.	Description	Qty	Validity:		Price
					From	To	
0001	MECI00533		SENSOR VS303-51N	1,00			--
0002	GUGO00216		GASKET ACQUA SPORCA	1,00			--
0003	RCVR00774		CONNECTOR 90°	1,00			--
0004	FSVR00095		CLAMP 30-45	1,00			--
0005	TBBP00391		TUBE -	1,00			--
0006	MPVR46988		CLIP LAV. SHK	2,00			--
0007	VTVT15965		SCREW TCB-TC 4X12 UNI7687 INX	4,00			--
0009	TBFX01098		TUBE -	1,00			--
0011	GUGO00445		O-RING -	2,00			--
0012	RCVR01107		CONNECTOR CT230	1,00			--
0013	TBFX01097		TUBE -	1,00			--
0014	VTVT00817		SCREW TE M4x12 UNI 5739 INOX	2,00			--
0015	FSVR44166		HOSE CLIP D.50	1,00			--
0016	LAFN07009		BRACKET -	1,00			--
0017	VTVT15961		SCREW M 5X 16 TCB TC UNI 7687	2,00			--
0018	RCVR00765		CONNECTOR -	1,00			--
0019	RCVR00764		CONNECTOR -	1,00			--
0020	GUVR00268		GASKET CT230	1,00			--
0021	MPVR05026		COVER RECOVERY TANK LID CT230	1,00			--
0022	MELF00053		LAMP -	1,00			--
0023	VTVT00752		SCREW TC+ M.4,8-19	3,00			--
0024	VTVT01150		SCREW 4x10	1,00			--
0025	VTRS00570		WASHER -	1,00			--
0026	MPVR05596		PROTECTION -	1,00			--
0027	VTVT07725		SCREW TE 5X16 UNI5739 INX	2,00			--
0028	LAFN08835		BRACKET -	1,00			--
0029	MECI00566		SENSOR -	1,00			--
0030	VTVT07725		SCREW TE 5X16 UNI5739 INX	6,00			--
0031	VTRS00516		WASHER D. 5 INX	6,00			--
0032	MPVR06012		TUBE CT230	1,00			--
0033	LAFN06998		HINGE -	2,00			--
0034	VTRS13750		WASHER D. 5X14 INX	8,00			--
0035	VTVT00805		SCREW TBEI M. 5-10	4,00			--
0036	TBFX00344		TUBE CT230	1,00			--
0037	VTVT01310		SCREW TCEI 8X60 INOX UNI5931	3,00			--
0038	LAFN03760		SPACER RUOTA	3,00			--
0039	MOC00271		MOTOR ASPIR.BIST.36V E-12416-2	1,00			--
0040	GUGO00272		GASKET VACUUM MOTOR CT	1,00			--
0041	GUVR00269		GASKET -	1,00			--



Ref.	K	Part N.	Customer Part N.	Description	Qty	Validity:		Price
						From	To	
0042		MPVR05027		COVER	1,00			--
0043		VTVT00657		SCREW TCEI M. 5-30	5,00			--
0044		LAFN06999		NET -	1,00			--
0045		FTDP00186		FILTER	1,00			--
0046		MPVR05031		CAP -	1,00			--
0047		VTRS00251		WASHER 4-16 INOX A2	1,00			--
0048		VTVT15965		SCREW TCB-TC 4X12 UNI7687 INX	1,00			--
0049		SESD45981		SEAT SC 73 L.14	1,00			--
0050		VTVT13938		SCREW TE 8X20 UNI5739 INX	2,00			--
0051		MPVR05029		COVERING UNDER SEAT CT230	1,00			--
0052		CEVR00060		HINGE PORTA SEDILE P185	2,00			--
0053		VTVT01300		SCREW TE M5X12 INOX	8,00			--
0054		VTRS13750		WASHER D. 5X14 INX	8,00			--
0055		GUGO00307		GASKET TENUTA TAPPO	1,00			--
0056		GUGO00267		GASKET FILTRO	1,00			--
0057		FTAC48857		FILTER ASP. ACQUA SERB. LAVAP.	1,00			--
0058		GUVR01010		GASKET -	1,00			--
0059		VTAE00082		CIRCLIP D. 50 UNI 7435	1,00			--
0060		LAFN08976		BRACKET -	1,00			--
0061		KTRI15043		WATER FILTER DIRTY INLET TANK	1,00			--
0062		VTVT00727		SCREW TE M. 4-20	2,00			--
0063		VTRS00251		WASHER 4-16 INOX A2	2,00			--
0064		LAFN09008		SHEET METAL PA.-	1,00			--
0065		KTRI02014		KIT -	1,00			--
0066		LAFN08923		BULKWARD -	1,00			--
0067		RCVR00766		SENSOR ACQUASTOP AUTO FILLING	1,00			--
0068		GUVR01011		GASKET 1/2"	1,00			--
0069		RCVR00103		JOINT R 1/2"	1,00			--
0070		VTVT01300		SCREW TE M5X12 INOX	4,00			--
0071		VTRS00515		WASHER D. 4 INX	2,00			--
0072		RCVR00778		NIPPLE 1"1/2	1,00			--
0073		GUGO00319		O-RING 1"1/2	1,00			--
0074		RCVR00776		CONNECTION 1" 1/2	1,00			--
0075		MPVR06015		COVERING -	1,00			--
0076		FSVR00033		CLAMP 45-60	1,00			--
0077		MPVR06103		BRACKET -	1,00			--
0078		GUVR00320		GASKET -	1,00			--
0079		MPVR10814		CAP 2"	8,00			--
0080		MPVR10813		CAP 2"	8,00			--



Ref.	K	Part N.	Customer Part N.	Description	Qty	Validity:		Price
						From	To	
0081		VTVT01708		SCREW STS-plus KN6038 8x50	1,00			--
0082		VTVT01708		SCREW STS-plus KN6038 8x50	1,00			--
0083		VTVT01708		SCREW STS-plus KN6038 8x50	1,00			--
0084		VTVT01709		SCREW STS-plus KN6039 8x25	1,00			--
0085		VTVT01709		SCREW STS-plus KN6039 8x25	1,00			--
0086		VTVT01708		SCREW STS-plus KN6038 8x50	1,00			--
0087		VTVT01708		SCREW STS-plus KN6038 8x50	1,00			--
0088		GUGO00506		O-RING OR158	16,00			--



Ref.	K	Part N.	Customer Part N.	Description	Qty	Validity: From To	Price
EV1		MEEV00021		SOLENOID VALVE RIF. D160SS10/K20Z	1,00		--
M1		MOCC00385		DRIVE ASSEMBLY -	1,00		--
M2		MOCC00195		MOTOR	1,00		--
M3		MOCC00195		MOTOR	1,00		--
M5		MOCC00394		ATUATOR	1,00		--
M7		MOCC00388		ATUATOR BRUSH HEAD 36V 1500N	1,00		--
SK2		MECE00532		BOARD LOGIC CT160-CT230 CURTIS	1,00		--
SK3		MECE00526		BOARD POWER SERVICE CT160-CT230	1,00		--
TC		MECE00525		BOARD TRACTION CURTIS 36V 160A	1,00		--
TL1		METT00086		CONTACTOR 100A	1,00		--
TL2		METT00086		CONTACTOR 100A	1,00		--