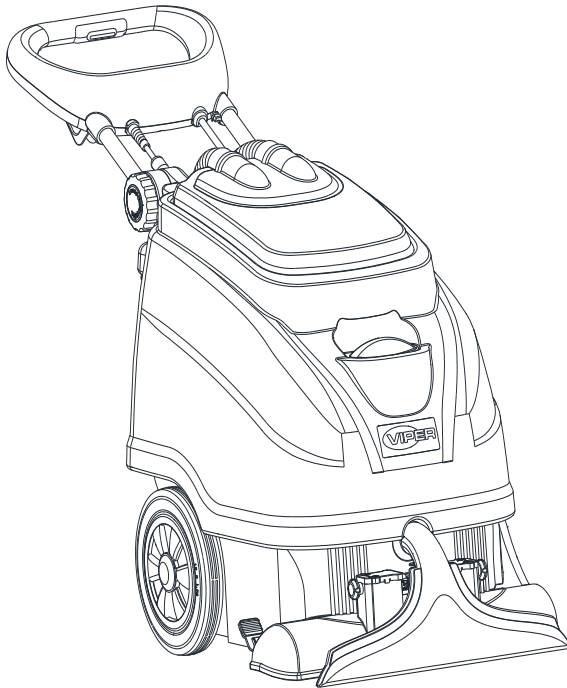




CEX410 Carpet Extractor

Owner's manual



Model: CEX410-US/CN

REV A (2018/5/30)

Form No: VV81312

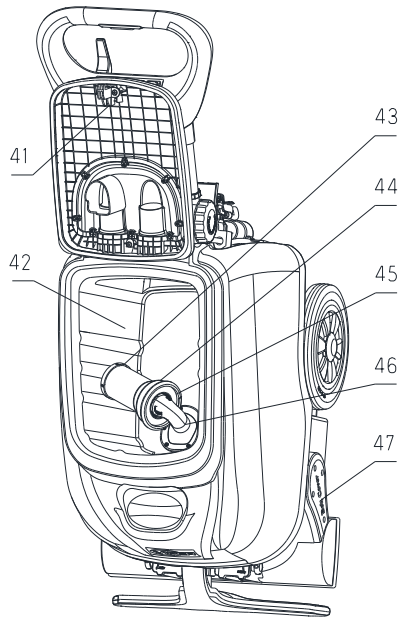
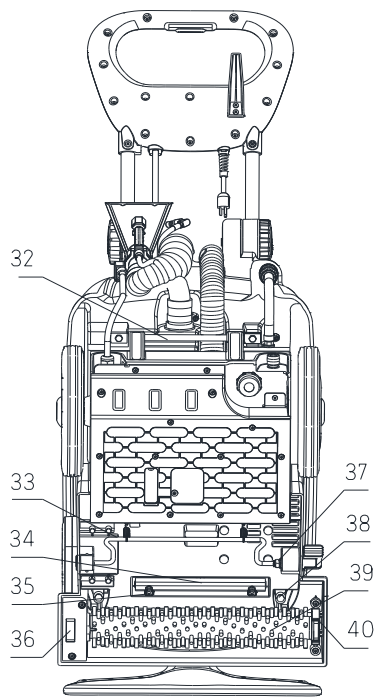
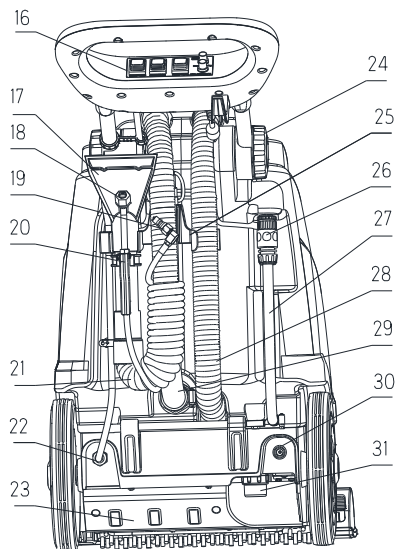
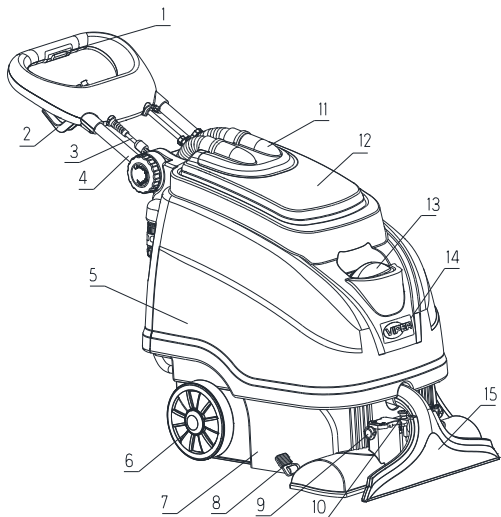
Nilfisk

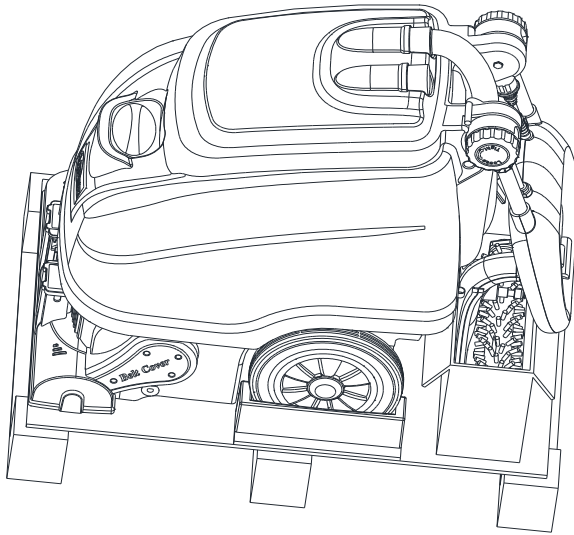
9435 Winnetka Ave. N

Brooklyn Park, MN 55445

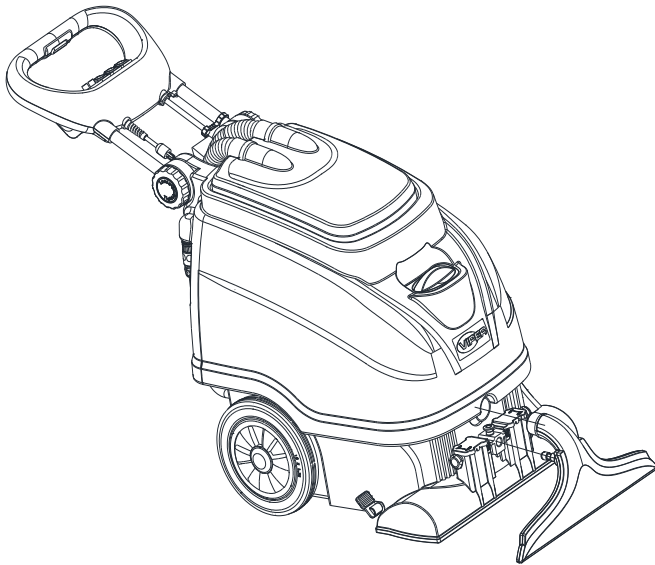
TABLE OF CONTENTS

ENGLISH.....	1-17
FRANÇAIS.....	18-22
ESPAÑOL.....	23-27
中文	28-32

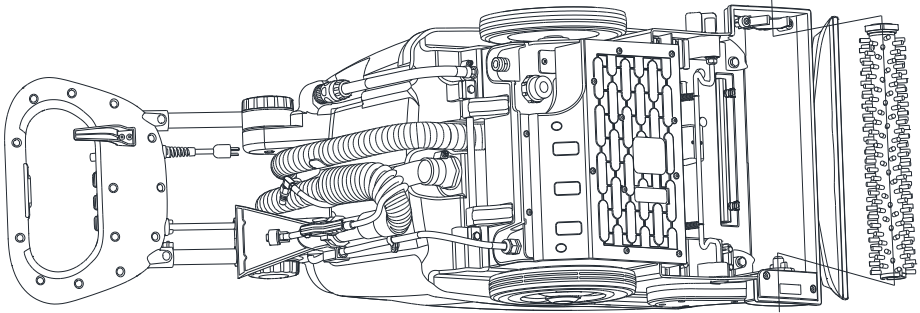




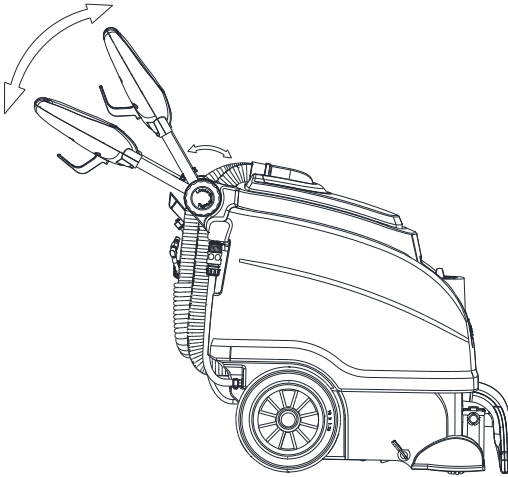
F1



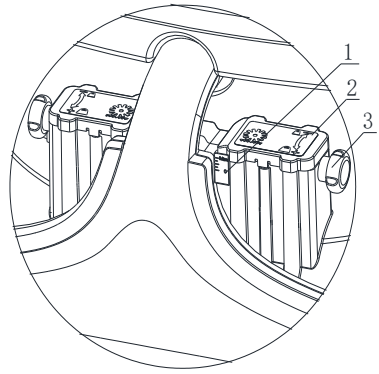
F2



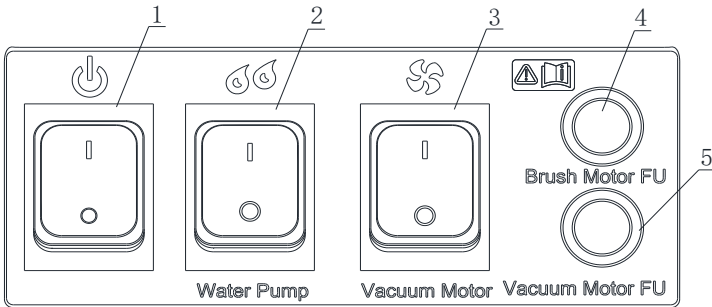
F3



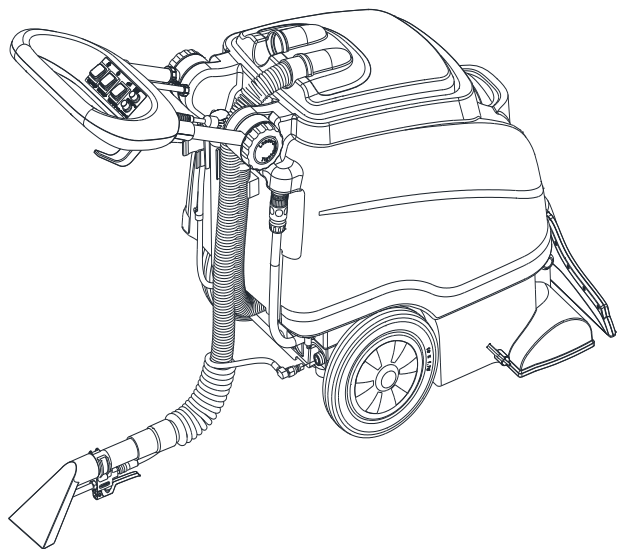
F4



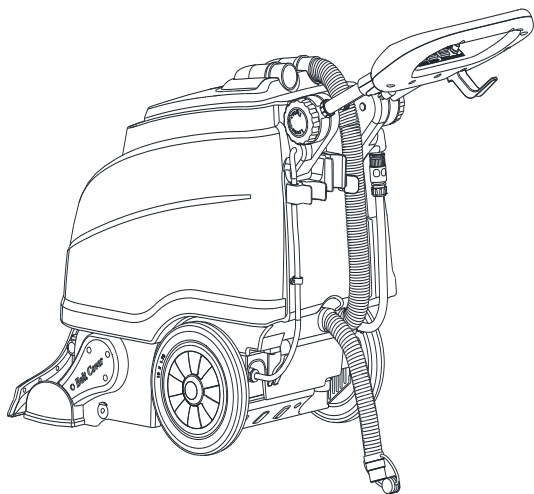
F5



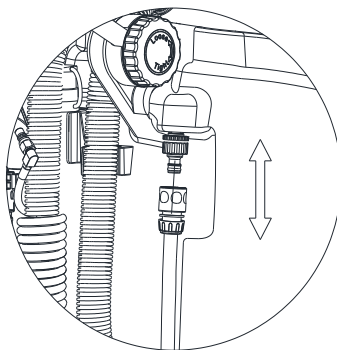
F6



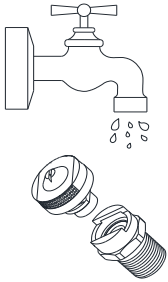
F7



F8



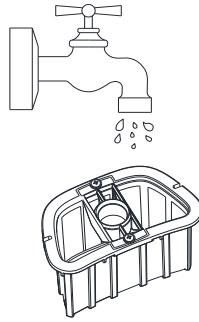
F9



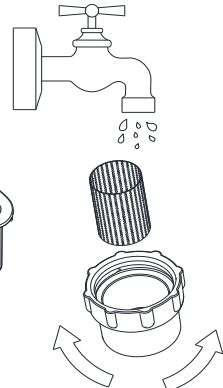
F10



F11

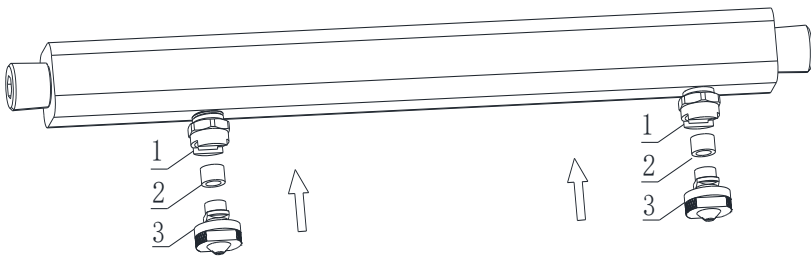


F12

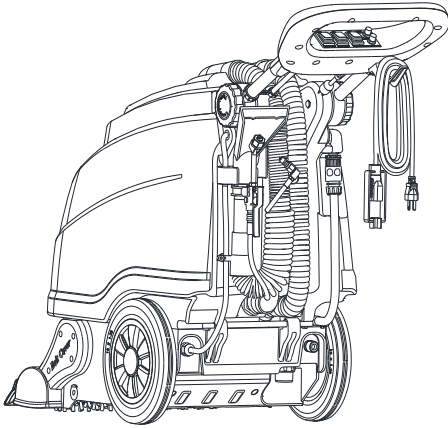


Loose Tighten

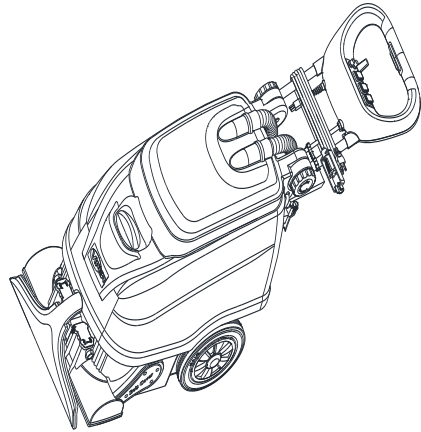
F13



F14



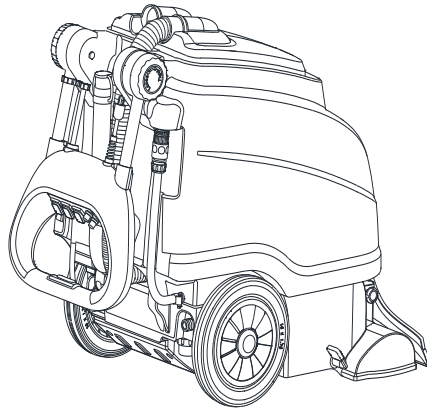
F15



F16

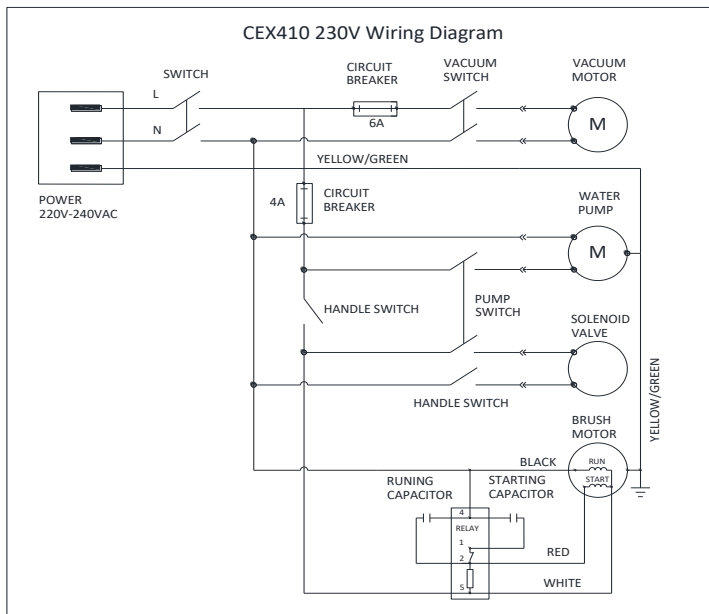
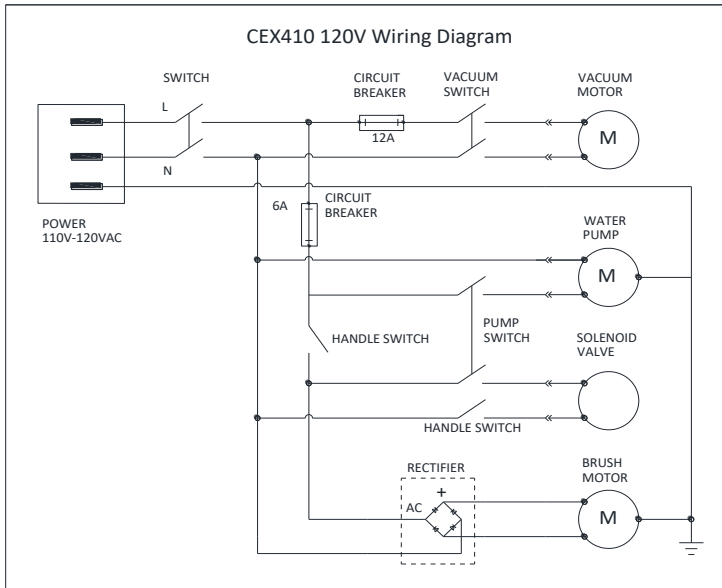


F17



F18

Wiring diagram (F19)



Technical specifications (F20)

CEX410-US Technical Specification		
Performance data	Nominal voltage(V)	110 -120
	Frequency(Hz)	50/60
	Rated current (A)	14.6
	Pump pressure(PSI)	100
	Nozzle water flow	2.6 L/min. 0.6 Gal/min.
	Solution tank volume	35L/9Gal
	Recovery tank volume	23L/6Gal
Dimensions and weights	Machine Width	460mm/18 Inches
	Machine Length	850mm/22.5 Inches
	Power cord length	15M/50 Feet
	Height without handle	740mm/29 Inches
	Machine weight	88Kg/194 Pounds
	Roller brush size	40.6 cm/16 Inches
	Vacuum shoe size	46 cm/18 Inches
CEX410-CN Technical Specification		
Performance data	Nominal voltage(V)	220-240
	Frequency(Hz)	50/60
	Rated power Max.(W)	1850
	Pump pressure(PSI)	120
	Nozzle water flow (L/Min)	2.6
	Solution tank volume	35L/9Gal
	Recovery tank volume	23L/6Gal
Dimensions and weights	Machine Width (mm)	460
	Machine Length (mm)	850
	Power cord length	15M/50 Feet
	Height without handle (mm)	740
	Machine weight (kg)	88
	Roller brush size	16"/40.6 cm
	Vacuum shoe size	18"/46 cm
Noise	A-weighted sound pressure	LpA=70±3dB(A)
Vibration	Cutting wood	ah,w=0.74m/s ²

SCRAPPING

Have the machine scrapped by a qualified scrapper

Before scrapping the machine,remove and separate the following materials,which must be disposed of property according to the Law in force:

- Batteries
- Brushes
- Plastic hoses and components
- Electrical and electronic components(*)

(*) Refer to the nearest Nilfisk Center especially when scrapping electronic components.

CEX410 machine material composition and recyclability (F21)

Type	Recyclable percentage	weight percentage
Aluminium	100%	6%
Electric motors-various	35%	25%
Ferrous materials	100%	8%
Wiring harness	78%	5%
Liquids	0%	0%
Plastic-non-recyclable material	0%	2%
Plastic-recyclable material	100%	44%
Polyethylene	70%	6%
Rubber	20%	4%

Introduction: This appliance provides a smart and efficient cleaning solution for carpeted floors. The machine is intended for commercial use, in hotels, schools, hospitals, factories, shops, offices and rental businesses. It is constructed for use in an indoor environment. The purpose of this Manual is to provide the operator with necessary information to use the machine properly and safely. Read it through carefully before performing any operation and maintenance.

⚠ Important safety instructions

The machine needs to be grounded during operation. To reduce the risk of fire, electric shock, or injury, pay attention to these important warnings. Failure to follow these safety instructions could result in damage to the machine, damage to property or bodily injury.

- 1) Use this machine only as described in this manual. Do not use it in ways it was not intended. Use only manufacturer's recommended accessories.
- 2) Do not leave the machine unattended when it is plugged in. Turn off all switches and unplug the electrical cord when not in use and before servicing.
- 3) The appliance is not intended for use by persons (including children) with reduced physical, sensory or mental capabilities, or lack of experience and knowledge, unless they have been given supervision or instruction concerning use of the appliance by a person responsible for their safety.
- 4) If the machine is not working as it should, has been dropped, damaged, or left outdoors, return it to a service center before using.
- 5) Avoid electrical shock, do not handle the plug or machine with wet hands. To unplug the cord, grasp the plug. Do not pull on the cord.
- 6) Do not use extension cords or outlets with inadequate current carrying capacity. Do not use with damaged cord or plug. Connect the machine only to a properly grounded outlet.

Avoid damaging cord (closing doors on cord, pulling around sharp edges or corners, hot surfaces, or running machine over cord).

7) This machine creates suction and contains a revolving brush. Keep hair, loose clothing, fingers, and all other parts of the body away from openings and moving parts. Do not insert any object into any of the openings in the machine.

8) Do not pick up anything that is burning or smoking, such as cigarettes, matches, or hot ashes.

9) Do not use the machine to pick up flammable or combustible liquids such as gasoline.

10) Do not use in areas where flammable and/or explosive vapor or dust is present to avoid the possibility of fire or explosion. Some cleaning fluids can produce such vapors. This machine is not suitable for picking up health endangering dust.

11) Use extra care when cleaning on stairs.

12) Do not use the machine outdoors.

13) Store the machine in the ventilated, dry area.

Unpacking

When the machine is delivered, carefully inspect the shipping carton and the machine for damage. If any damage, make the carrier aware of the damage and before accepting the goods, reserve the right in compensation of the damage.

The packaging carton includes the following items:

Contents (refer to F1):

- Carpet Extractor
- Vacuum shoe
- Rolling brush
- 50' extension power cable

Machine identification data

The machine serial number and model name are marked on the serial label.

This information is useful. Use the following table to write down the machine identification data when requiring spare parts for the machine.

Machine model

Machine serial number.....

Machine components (refer to page 3)

1. Spray mode switch
2. Power cable hook
3. Power cord
4. Handle tube (stainless)
5. Solution tank
6. Rear wheel
7. Machine Base
8. "Kickstand" pedal
9. Base height adjusting knob
10. Vacuum shoe knob
11. Vacuum hose input
12. Dome
13. Filling port
14. Viper logo
15. Vacuum shoe
16. Control panel
17. Hand tool (Optional)
18. Hand tool spray nozzle
19. Hand tool quick connector
20. Hand tool valve handle
21. Hand tool vacuum hose
22. Cable clamp
23. Base panel
24. Handle adjusting knob
25. Hose clamp
26. Sight tube coupling
27. Sight tube/drain tube for solution tank
28. Vacuum hose
29. Recovery tank drain hose
30. Accessory quick coupler
31. Solution filter
32. Shaft
33. "Kickstand" machine holder
34. Nozzle base
35. Spray nozzle
36. Wear plate
37. "Kickstand" nut
38. Machine assembly bolt
39. Rolling brush
40. Rolling brush holder

41. Recovery tank dome catch
42. Recovery tank
43. Float filter cover
44. Float cover
45. Foam filter
46. Foam filter holder
47. V-belt cover

Vacuum shoe and rolling brush installation**Vacuum shoe installation (refer to F2):**

- 1) First, place the machine upright on the floor.
- 2) Lift the vacuum shoe knob.
- 3) Insert the vacuum shoe to suction hose and mounting base in correct position
- 4) Release the vacuum shoe knob.
- 5) Pull back the vacuum shoe, if it doesn't move, the installation is complete

Rolling brush installation (refer to F3):

- 1) Place the machine to side position.
- 2) Install one side of the rolling brush with the locating slot to bearing mounting rack and press in the other side to rolling brush holder.
Tip: First , squeeze one side of brush and ensure the end with a groove has been installed in place and then install the other side.
- 3) If the rolling brush rotates smoothly, the installation is complete.

Handle direction and Vacuum shoe/rolling brush height adjustment**Handle direction adjustment (refer to F4)**

- 1) The appliance can adjust the height of the handle according to user's height or personal operation habit.
- 2) Hold the handle adjusting knob and rotate in the opposite direction to loosen the handle.
- 3) Adjust the handle to the appropriate position and tighten the knob.

Vacuum shoe/rolling brush adjustment

When the machine is working in different piles of carpet or the rolling brush has a certain

amount of wear and tear, the operators can increase the cleaning performance of the machine by adjusting the height of the vacuum shoe and rolling brush (**refer to F5**).

- 1) Machine running speed label (0 → MAX indicates the machine speed from slow to fast).
- 2) Rolling brush pressure label (- → + Indicates the pressure on the brush is increasing)
- 3) Vacuum shoe adjustment knob.

Holding the vacuum shoe adjustment knob and rotate it in the same direction, move the vacuum shoe up or down to the appropriate position.

Control panel (refer to F6).

1. Power switch
2. Water pump switch
3. Vacuum motor switch
4. Fuse (circuit breaker) for roller brush motor
5. Fuse (circuit breaker) for vacuum motor

Machine operation

Prior to operation

- 1) Inspect power cable and extension cable for damage. Replace cable if damage is found.
- 2) Vacuum the area to be cleaned to remove most of the solid debris before using the machine to clean.

Operation

⚠ Warning: Do not allow the cord to come into contact with the rotating brushes.

- 1) Using a hose or bucket, fill the solution tank with hot water. (max. 120°F/50°C, capacity 9 Gal./35L).
- 2) Add distributor recommended detergent.
- 3) Connect the supplied extension power cord to the machine. Plug cord into a grounded wall outlet.
- 4) Turn on power switch and vacuum / pump switch.
- 5) To start cleaning, press the spray mode switch and begin to pull the machine backwards. (Note: appliance will only spray

when the pump switch is ON and the spray mode switch is pressed.)

- 6) Release spray button at the end of the path and continue to pull machine back to pick up excess solution.
- 7) Tilt machine back onto the transport wheels and push forward to begin next path.

⚠ Cleaning tips :

- 1) Run across the surface to be cleaned in overlapping paths.
- 2) Let the detergent solution soak for 5 to 10 minutes on heavily soiled areas and repeat cleaning several times.
- 3) Work away from power outlet and power cable in order to avoid damage to the power cable.
- 4) Continually check for foam buildup in recovery tank. Use a distributor recommended foam control solution. (**Note: Excessive foam buildup will not activate the float shut-off and may cause damage to the vacuum motor.**)
- 5) If the brush stops spinning, there may be an obstruction in the brush. Unplug the power cable, check the brush and remove the obstruction.
- 6) When recovery tank is full, or the solution tank is empty, you must drain the recovery tank. (refer to draining reservoir)

Operation with accessory tools

(Only recommended/authorized parts and accessories should be used).

An optional accessory hand tool can be attached to clean upholstery and stairs.

Operation with hand tool (**refer to F7**):

- 1) Disconnect the normal vacuum hose out of the dome.
- 2) Insert the accessory vacuum hose into the dome instead of the normal vacuum hose.
- 3) Connect the accessory quick connector to the quick coupler located on the back of the machine.
- 4) Turn on power switch and vacuum motor/

water pump switch.

- 5) Use the lever on the hand tool to spray on detergent solution
- 6) When cleaning is completed, turn off water pump /vacuum motor switch and then squeeze trigger 3 seconds to relieve water pressure from solution lines.

Shutting down

- 1) Turn off machine, unplug and remove power cable.
- 2) Empty the recovery tank and solution tank. (refer to Draining tanks)

Draining tanks

Draining recovery tank (refer to F8):

- 1) Move the machine to an appropriate draining location. (Please consider the environment)
- 2) Hold the drain hose for the recovery tank and lower it over the drain. Open the drain hose cover for recovery tank draining.
- 3) Replace the drain hose back onto machine.

Draining solution tank (refer to F9):

- 1) Move the machine to an appropriate draining location. (Please consider the environment)
- 2) Disconnect the hose coupling and lower the hose for solution tank draining.
- 3) Connect the hose coupling back onto the machine.

Machine maintenance

⚠ Warning: To avoid the risk of electrical shock please always confirm that the machine is unplugged prior to performing any maintenance or repairs.

To keep the machine performing well and prolong its life time, please perform the following maintenance procedures.

Daily maintenance

- 1) Drain and rinse the recovery tank and solution tank.
- 2) Check quick couplers and nozzles. Clean if required (Note: Never use a pointed object to clean nozzles, only rinse them with hot water)

(refer to F10).

- 3) Remove float filter from the recovery tank and clean it with water (refer to F11).
- 4) Check filling port filter and clean it with water (refer to F12).
- 5) Check water pump filter below the machine and clean it with water (refer to F13).
- 6) Check rolling brush and remove any debris or carpet fibers.
- 7) Check vacuum shoe and remove any debris or carpet fibers.
- 8) Clean machine with a soft after use.
- 9) Check power cable, extension cord and hoses for damage before each use of the machine.

Monthly maintenance

- 1) Check the rolling brush for any wear and tear. Replace if necessary.
- 2) Check hoses and seals to see if there are damages. Replace if necessary.
- 3) Check the machine for water leaks.
- 4) Lubricate wheels.
- 5) Check machine for loose or missing nuts, screws , bolts and replace if necessary.
- 6) Check the V-belt for any wear and tear. Replace if necessary.

Nozzle installation (refer to F14).

1. Nozzle base
 2. Rubber seal ring
 3. Spray tip nozzle
- After the nozzle is cleaned, the nozzle needs to be installed on the base. First, install the rubber ring to the correct position, then press down and rotate the nozzle for 90 degrees aligning the nozzle in a horizontal direction, the installation is complete.

Storage

Power cord storage

- 1) Bind the power cord by cable ties and store on the power cord hook (refer to F15).

2) The power cord can also be wound around the handle tube (**refer to F16**).

Machine storage



Note: Empty the recovery tank and solution tank prior to storing the machine to keep the tanks fresh, and in case of freezing temperatures. This machine should be stored indoors only.

1) Store the machine in an upright position in a dry area and depress the pedal to keep the rolling brush off the floor (**refer to F17**).

2) Fold the handle to the rear of the machine in order to reduce the storage space (**refer to F18**).

3) Remove the recovery tank dome to allow for air circulation.

Wiring diagram refer to F19

Technical specifications refer to F20

Machine material composition and recyclability refer to F21

Basic trouble shooting

⚠ Notice: Disconnect the main plug before performing any maintenance.

If your problems are not mentioned in this table or your machine still doesn't work properly, please contact an authorized customer service person for help.

Trouble	Countermeasure
Machine doesn't work at all	Plug the power cord into a grounded outlet
	Try a replacement extension power cable
Vacuum motor doesn't work	Turn on the vacuum motor switch
	Reset the vacuum motor protection fuse (Circuit breaker) on control panel
Roller brush motor doesn't work	Turn on the roller brush motor switch
	Reset the roller brush motor protection fuse (Circuit breaker) on control panel
Insufficient vacuum performance	Check the sealing ring of the recovery tank, clean or replace it if necessary
	Drain the recovery tank
	Ensure vacuum hose is inserted properly
	Check the vacuum hose if any damage, replace it if necessary
	Slow down cleaning operation
No water spray from nozzle	Re-fill the solution tank
	Turn on the water pump switch
	Rinse the nozzle with hot water (max. 120°F/50°C)
	Clean or replace solution filter at the bottom of the machine
Roller brush doesn't work	Turn on roller brush motor switch
	Check the V-belt if any damage, replace it if necessary
	Check the assembly of roller brush
	Check the roller brush for carpet fibers, threads, or debris that are preventing the brush from turning properly.

Introduction: Cet appareil fournit une solution de nettoyage efficace pour les sols recouverts de moquette. La machine est destinée à un usage commercial, pour les hôtels, les écoles, les hôpitaux, les usines, les magasins, les bureaux et les entreprises de location. Il est conçu pour une utilisation dans un environnement intérieur. Le but de ce manuel est de fournir à l'opérateur les informations nécessaires pour utiliser la machine correctement et en toute sécurité. Lisez-le attentivement avant d'effectuer toute opération ou entretien.

A Consignes de sécurité importantes

La machine doit être mise à la terre pendant le fonctionnement. Pour réduire les risques d'incendie, d'électrocution ou de blessure, faites attention à ces avertissements importants. Le non-respect de ces consignes de sécurité peut endommager la machine, provoquer des dégâts matériels ou des blessures corporelles.

- 1) Utilisez cette machine uniquement comme décrit dans ce manuel. Ne l'utilisez pas d'une autre manière que celle qui est prévue. Utilisez uniquement les accessoires recommandés par le fabricant.
- 2) Ne laissez pas la machine sans surveillance quand elle est branchée. Éteignez tous les interrupteurs et débranchez le cordon électrique lorsqu'elle n'est pas utilisée et avant toute réparation.
- 3) L'appareil n'est pas destiné à être utilisé par des personnes (y compris les enfants) ayant des capacités physiques, sensorielles ou mentales réduites, ou ayant un manque d'expérience et de connaissances, à moins que ces personnes soient supervisées ou instruites, en ce qui concerne l'utilisation de l'appareil, par une personne responsable de leur sécurité.
- 4) Si la machine ne fonctionne pas correctement comme elle le devrait, si on l'a fait tomber, si elle est endommagée ou si on l'a laissée à l'extérieur, retournez-la à un centre de service avant de l'utiliser.
- 5) Évitez les chocs électriques : ne manipulez pas la fiche ou la machine avec les mains mouillées. Pour débrancher le cordon, saisissez la prise. Ne tirez pas sur le cordon.
- 6) N'utilisez pas de rallonges ou de prises qui ne conviennent pas à l'intensité du courant électrique. Ne pas l'utiliser avec un cordon défectueux ou une prise endommagée. Connectez la machine

uniquement à une prise correctement mise à la terre.

Évitez d'endommager le cordon (en fermant les portes sur le cordon, en tirant le cordon sur des arêtes ou des coins pointus, sur des surfaces chaudes ou en faisant fonctionner la machine sur le cordon).

7) Cette machine crée une aspiration et contient une brosse rotative. Maintenez les cheveux, les vêtements amples, les doigts et toutes autres parties du corps éloignées des ouvertures et des pièces mobiles. N'insérez aucun objet dans les ouvertures de la machine.

8) Ne ramassez avec la machine aucun objet qui brûle ou qui fume, par exemple des cigarettes, des allumettes ou des cendres chaudes.

9) N'utilisez pas la machine pour ramasser des liquides inflammables ou des combustibles tels que de l'essence.

10) Ne pas utiliser dans des zones où sont présentes des vapeurs et des poussières inflammables et / ou explosives afin d'éviter tout risque d'incendie ou d'explosion. Certains fluides de nettoyage peuvent produire de telles vapeurs. Cette machine ne convient pas pour ramasser de la poussière nuisible pour la santé.

11) Soyez particulièrement prudent lorsque vous nettoyez les escaliers avec les accessoires.

12) N'utilisez pas la machine à l'extérieur.

13) Rangez la machine dans un endroit ventilé et sec.

Déballage

A la livraison de la machine, inspectez soigneusement le carton d'expédition et la machine pour vérifier s'il y a des dommages.

En cas de dommages, informez le transporteur sur ces dommages et avant d'accepter la marchandise, mettez en application votre droit de réparation des dommages.

Le carton d'emballage comprend les éléments suivants:

Contenu (**voir F1**):

- Extracteur de tapis
- Sabot d'aspiration
- Brosse à rouleau
- Câble de rallonge de l'alimentation de 50 pieds (15 mètres environ)

Données d'identification de la machine

Le numéro de série et le nom du modèle de la machine sont indiqués sur l'étiquette de série.

Cette information est utile. Utilisez le tableau suivant pour noter les données d'identification de la machine lorsque vous avez besoin de pièces de rechange pour la machine.

Modèle de la machine.....
Numéro de série de la machine

Composants de la machine (voir page 3)

1. Interrupteur de mode de pulvérisation 2. Crochet de câble d'alimentation 3. Cordon d'alimentation 4. Tube de la poignée (inox) 5. Réservoir de la solution 6. Roue arrière 7. Base de la machine 8. Pédale "Kickstand" 9. Bouton de réglage de la hauteur de la hauteur du sabot 10. Bouton du patin d'aspiration 11. Entrée du tuyau d'aspiration 12. Dôme 13. Orifice de remplissage 14. Logo Viper 15. Sabot d'aspiration 16. Panneau de commande 17. Outil à main (facultatif) 18. Buse de pulvérisation de l'outil manuel 19. Connecteur rapide de l'outil manuel 20. Poignée de l'outil main 21. Tuyau d'aspiration de l'outil manuel 22. Serre-câble 23. Panneau de base 24. Bouton de réglage de la poignée 25. Collier de serrage 26. Raccord du flexible d'eau propre 27. Tube de visée 28. Tuyau d'aspiration 29. Tuyau de vidange du réservoir de récupération 30. Raccord rapide d'accessoire 31. Filtre eau propre 32. Axe 33. Support de la machine "Kickstand" 34. Base de la buse 35. Buse de pulvérisation 36. Plaque d'usure 37. Écrou "Kickstand" 38. Boulon d'assemblage de la machine 39. Brosse à rouleau 40. Support de la brosse à rouleau 41. Prise du dôme du bac de récupération 42. Bac de récupération 43. Couvercle du filtre à flotteur 44. Couvercle du flotteur 45. Filtre en mousse 46. Support du filtre à flotteur 47. Couvercle de la courroie trapézoïdale

Installation du sabot d'aspiration et de la brosse à rouleau

Installation du sabot d'aspiration (voir F2):

- 1) Tout d'abord, placez la machine à la verticale sur le sol.
- 2) Soulevez le bouton sabot d'aspiration.
- 3) Insérez le sabot d'aspiration sur le tuyau d'aspiration et la base de montage dans la bonne position.
- 4) Relâchez le bouton du sabot d'aspiration.
- 5) Tirez le sabot d'aspiration, s'il ne bouge pas, l'installation est terminée.

Installation de la brosse de roulement (voir F3):

- 1) Placez la machine en position latérale.
- 2) Installez un côté de la brosse à rouleau avec la fente de positionnement sur le support de montage du roulement et appuyez de l'autre côté sur le support de la brosse à rouleau. Astuce: Tout d'abord, pressez un côté de la brosse et assurez-vous que l'extrémité avec une rainure a été installée en place, ensuite installez l'autre côté.

- 3) Si la brosse à rouleau tourne doucement, l'installation est terminée.

Direction de la poignée et sabot à vide / réglage de la hauteur de la brosse à rouleau Réglage de la direction de la poignée (voir F4)

- 1) L'appareil permet d'ajuster la hauteur de la poignée en fonction de la taille de l'utilisateur ou de l'habitude d'utilisation personnelle.
- 2) Tenir le bouton de réglage de la poignée et tournez-le dans le sens opposé pour desserrer la poignée.
- 3) Ajustez la poignée à la position appropriée et serrez le bouton.

Réglage du sabot d'aspiration /brosse à rouleau

Lorsque la machine est utilisée avec différentes épaisseurs de tapis ou si la brosse à rouleau présente une certaine usure, les utilisateurs peuvent augmenter les performances de nettoyage de la machine en ajustant la hauteur du sabot d'aspiration et celle de la brosse (voir F5).

- 1) Étiquette de vitesse de fonctionnement de la machine (0 \square MAX indique la vitesse de la machine depuis lente jusqu'à rapide).
- 2) Étiquette de pression de la brosse à rouleau (- \square + Indique que la pression sur la brosse augmente).
- 3) Bouton de réglage du sabot d'aspiration. En tenant le bouton de réglage du sabot d'aspiration et faites-le tourner dans le même sens, déplacez le sabot d'aspiration vers le haut ou vers le bas jusqu'à obtenir la bonne position.

Panneau de contrôle (voir F6).

1. Interrupteur d'alimentation 2. Interrupteur de la pompe à eau 3. Interrupteur du moteur à vide 4. Fusible du moteur de la brosse à rouleau 5. Fusible pour moteur d'aspiration

Fonctionnement de la machine

Avant de la faire fonctionner

- 1) Vérifiez que le câble d'alimentation et le câble de la rallonge ne sont pas endommagés.

Remplacez le câble en cas de dommage.
2) Passez l'aspirateur sur la zone à nettoyer pour enlever la plupart des débris solides avant d'utiliser la machine pour nettoyer.

Fonctionnement



Avertissement: Ne laissez pas le cordon toucher les brosses rotatives.

- 1) À l'aide d'un tuyau ou d'un seau, remplissez le réservoir de solution avec de l'eau chaude. (max 120 ° F / 50 ° C, capacité 9 Gal./35L).
- 2) Ajoutez un détergent recommandé par le distributeur.
- 3) Connectez la rallonge d'alimentation fournie à la machine. Branchez le cordon à une prise murale reliée à la terre.
- 4) Mettez en marche l'interrupteur d'alimentation et l'interrupteur d'aspiration / pompe.
- 5) Pour commencer le nettoyage, appuyez sur l'interrupteur du mode de pulvérisation et commencez à tirer la machine vers l'arrière. (Remarque: l'appareil ne pulvérisera que lorsque l'interrupteur de la pompe est en marche et que l'interrupteur du mode de pulvérisation est enfoncé.)
- 6) Relâchez le bouton de pulvérisation à la fin du trajet et continuez à tirer la machine pour ramasser l'excès de solution.
- 7) Renversez la machine sur les roues de transport et poussez vers l'avant pour commencer le prochain trajet.



Conseils de nettoyage:

- 1) Parcourez la surface à nettoyer en effectuant des déplacements qui se chevauchent.
- 2) Laissez tremper la solution détergente pendant 5 à 10 minutes sur des zones très sales et répétez le nettoyage plusieurs fois.
- 3) Travaillez loin de la prise de courant et du câble d'alimentation afin d'éviter d'endommager le câble d'alimentation.
- 4) Vérifiez continuellement l'accumulation de mousse dans le réservoir de récupération. Utilisez une solution de contrôle de mousse recommandée par le distributeur. **(Remarque: Une accumulation excessive de mousse ne provoque pas l'arrêt du flotteur et peut endommager le moteur d'aspiration.)**
- 5) Si la brosse s'arrête de tourner, la brosse pourrait être obstruée. Débranchez le câble d'alimentation, vérifiez la brosse et enlevez toute obstruction.
- 6) Lorsque le réservoir de récupération est

plein ou que le réservoir de solution est vide, vous devez vider le réservoir de récupération. (se référer à vidange du réservoir)

Fonctionnement avec des outils accessoires (seules les pièces et accessoires recommandés / autorisés doivent être utilisés).

On peut attacher un outil accessoire à main, en option, pour nettoyer la tapisserie d'ameublement et les escaliers.

Fonctionnement avec un outil à main **(voir F7):**

- 1) Débranchez le tuyau d'aspiration normal du dôme.
- 2) Insérez le tuyau accessoire d'aspiration dans le dôme au lieu du tuyau d'aspiration normal.
- 3) Connectez le connecteur accessoire rapide au coupleur rapide situé à l'arrière de la machine.
- 4) Mettez l'interrupteur d'alimentation et l'interrupteur du moteur d'aspiration / pompe à eau en marche.
- 5) Utilisez le levier de l'outil à main pour pulvériser une solution détergente.
- 6) Une fois le nettoyage terminé, fermez l'interrupteur de la pompe à eau / du moteur d'aspiration, puis appuyez sur la gâchette pendant 3 secondes pour faire diminuer la pression de l'eau dans le circuit d'eau..

Mise hors tension

- 1) Eteignez la machine, débranchez et retirez le câble d'alimentation.
- 2) Vider le réservoir de récupération et le réservoir de solution. (se référer à Vidange des réservoirs)

Vidange des réservoirs

Vidange du réservoir de récupération (voir F8):

- 1) Déplacez la machine vers un endroit approprié pour la vidange. (Veuillez tenir compte de l'environnement)
- 2) Prenez le tuyau de vidange du réservoir de récupération et dirigez-le vers l'endroit de vidange. Ouvrez le couvercle du tuyau de vidange pour vidanger le réservoir de récupération.
- 3) Remettez en place le tuyau de vidange de la machine.

Vidange du réservoir de solution (voir F9):

- 1) Déplacez la machine vers un endroit approprié pour la vidange. (Veuillez tenir compte de l'environnement)
- 2) Débranchez le raccord du tuyau et abaissez le tuyau pour vidanger le réservoir

de solution.

3) Remettez en place, sur la machine, le raccord du tuyau.

Entretien de la machine



Avertissement: Pour éviter tout risque d'électrocution, assurez-vous toujours que la machine est débranchée avant toute opération d'entretien ou de réparation.

Pour que la machine continue de bien fonctionner pendant longtemps et pour prolonger sa durée de vie, veuillez suivre les procédures de maintenance suivantes.

Maintenance quotidienne

1) Vidangez et rincez le réservoir de récupération et le réservoir de solution.

2) Vérifiez les raccords rapides et les buses. Nettoyez-les si nécessaire (Remarque: ne jamais utiliser un objet pointu pour nettoyer les buses, les rincer uniquement avec de l'eau chaude) **(voir F10)**.

3) Retirez le filtre à flotteur du réservoir de récupération et nettoyez-le avec de l'eau **(voir F11)**.

4) Vérifiez le filtre du port de remplissage et nettoyez-le avec de l'eau **(voir F12)**.

5) Vérifiez le filtre de la pompe à eau sous la machine et nettoyez-le avec de l'eau **(voir F13)**.

6) Vérifiez la brosse à rouleau et enlevez les débris ou les fibres de tapis.



Avertissement: Eteignez l'interrupteur d'alimentation et débranchez la prise secteur avant de vérifier la brosse à rouleau.

7) Vérifiez le sabot d'aspiration et enlevez les débris ou les fibres du tapis qui peuvent s'y trouver.

8) Après utilisation, nettoyez la machine avec un chiffon doux.

9) Vérifiez que le câble d'alimentation, la rallonge et les flexibles ne sont pas endommagés avant chaque utilisation de la machine.

Entretien mensuel

1) Vérifiez la brosse à rouleau si elle ne présente pas d'usure. Remplacez-la si nécessaire.

2) Vérifiez les tuyaux et les joints pour voir s'il y a des dommages. Remplacez-les si nécessaire.

3) Vérifiez la machine pour voir s'il y a des fuites d'eau.

4) Lubrifiez les roues.

5) Vérifiez que les écrous, les vis et les boulons ne sont pas desserrés et qu'il n'en manque pas. Remplacez-les si nécessaire.

6) Vérifiez que la courroie trapézoïdale n'est pas usée. Remplacez-la si nécessaire.

Installation de la buse (voir F14).

1. Base de buse 2. Bague d'étanchéité en caoutchouc

3. Extrémité de la buse de pulvérisation
Après le nettoyage de la buse, l'extrémité de la buse doit être installée sur la base.

Tout d'abord, installez l'anneau en caoutchouc dans la bonne position, puis appuyez et faites pivoter la buse sur 90 degrés en alignant la buse dans une direction horizontale, l'installation est alors terminée.

Rangement

Rangement du cordon d'alimentation

1) Attachez le cordon d'alimentation à l'aide d'attaches et rangez-le à l'aide du crochet du cordon d'alimentation **(voir F15)**.

2) Le cordon d'alimentation peut également être enroulé tout autour du tube de la poignée **(voir F16)**.

Stockage de la machine



Remarque: Videz le réservoir de récupération et le réservoir de solution avant de stocker la machine pour maintenir les réservoirs au frais et pour prévenir le risque de gel. Cette machine doit être stockée uniquement à l'intérieur.

1) Stockez la machine dans une position verticale (debout), dans un endroit sec et enfoncez la pédale pour empêcher la brosse à rouleau de toucher le sol **(voir F17)**.

2) Repliez la poignée vers l'arrière de la machine afin de réduire l'espace de stockage **(voir F18)**.

3) Retirez le dôme du réservoir de récupération pour permettre la circulation de l'air

1) Une utilisation incorrecte ou inadéquate de la machine.

2) Les pièces endommagées par une mauvaise utilisation ou une négligence.

3) La structure de la machine endommagée en raison d'une mauvaise utilisation ou d'une négligence.

Schéma de câblage, se référer à F19

Les spécifications techniques, se référer à F20

La composition et la recyclabilité de la machine, se référer à F21

Dépannage de base



Remarque: Débranchez la fiche secteur avant d'effectuer toute opération d'entretien.

Si vos problèmes ne sont pas mentionnés dans ce tableau ou si votre appareil ne fonctionne toujours pas correctement, veuillez contacter une personne agréée par le service à la clientèle.

Problème	Solution
La machine ne fonctionne pas du tout	Branchez le cordon d'alimentation à une prise reliée à la terre Essayez avec une autre rallonge d'alimentation
Le moteur à vide ne fonctionne pas	Activez l'interrupteur du moteur d'aspiration Réinitialisez le fusible de protection du moteur d'aspiration (disjoncteur) sur le panneau de commande
Le moteur de la brosse à rouleau ne fonctionne pas	Activez l'interrupteur du moteur de la brosse à rouleau Réinitialisez le fusible de protection du moteur de la brosse à rouleau (disjoncteur) sur le panneau de commande
Performances sous vide insuffisantes	Vérifiez la bague d'étanchéité du réservoir de récupération, nettoyez-la ou remplacez-la si nécessaire
	Vider le réservoir de récupération
	Assurez-vous que le tuyau d'aspiration est inséré correctement
	Vérifiez si le tuyau d'aspiration n'est pas endommagé, remplacez-le si nécessaire
Pas de pulvérisation d'eau de la buse	Allez-y doucement avec le nettoyage
	Remplissez à nouveau le réservoir de solution
	Activez l'interrupteur de la pompe à eau
	Rincez la buse avec de l'eau chaude (max 120 ° F / 50 ° C) Nettoyez ou remplacez le filtre de solution au bas de la machine
La brosse à rouleau ne fonctionne pas	Activez l'interrupteur du moteur de la brosse à rouleau
	Vérifiez la courroie trapézoïdale si elle n'est pas endommagée, remplacez-la si nécessaire
	Vérifiez l'assemblage de la brosse à rouleau
	Vérifiez si des fibres de tapis, des fils ou des débris empêchent la brosse à rouleau de tourner correctement.

Introducción: Esta máquina proporciona una solución de limpieza inteligente y eficiente para suelos con moqueta. La máquina está diseñada para uso profesional, en hoteles, escuelas, hospitales, fábricas, tiendas, oficinas y negocios de alquiler. Está fabricada para su utilización en interiores. El propósito de este manual es proporcionar al usuario la información necesaria para usar la máquina de manera adecuada y segura. Léalo cuidadosamente antes de realizar cualquier operación y mantenimiento.

A Instrucciones Importantes de Seguridad

La máquina debe estar conectada a tierra durante su funcionamiento. Para reducir el riesgo de incendio, descarga eléctrica o lesiones, preste atención a estas importantes advertencias. El incumplimiento de estas instrucciones de seguridad puede ocasionar daños a la máquina, daños a la propiedad o lesiones corporales.

- 1) Use esta máquina solo como se describe en este manual. No la use de forma no intencionada. Use sólo los accesorios recomendados por el fabricante.
- 2) No deje la máquina desatendida cuando esté enchufada. Apague todos los interruptores y desenchufe el cable eléctrico cuando no esté en uso y antes realizar reparaciones.
- 3) Esta máquina no debe ser utilizada por personas (incluidos niños) con capacidades físicas, sensoriales o mentales reducidas, o sin experiencia y conocimiento, a menos que una persona responsable de su seguridad les supervise e instruya en el uso del aparato.
- 4) Si la máquina no funciona adecuadamente, se ha caído, dañado o se ha dejado en el exterior, llévela a un centro de servicio antes de usarla.
- 5) Evite descargas eléctricas, no manipule el enchufe ni la máquina con las manos mojadas. Para desconectar el cable, sujete el enchufe. No tire del cable.
- 6) No use cables de extensión o enchufes con una capacidad inadecuada de carga de corriente. No lo use con un cable o enchufe dañado. Conecte la máquina solo a una toma de corriente con conexión a tierra. Evite dañar el cable (cerrando puertas sobre

el cable, tirando de bordes afilados o esquinas, superficies calientes o pasando la máquina por el cable).

- 7) Esta máquina crea succión y contiene un cepillo giratorio. Mantenga el cabello, la ropa holgada, los dedos y todas las demás partes del cuerpo alejadas de las aberturas y las piezas móviles. No inserte ningún objeto en ninguna de las aberturas de la máquina.
- 8) No recoja nada que esté ardiendo o humeando, como cigarrillos, fósforos o cenizas calientes.
- 9) No use la máquina para recoger líquidos inflamables o combustibles, como gasolina.
- 10) No lo use en áreas donde haya vapor o polvo inflamable y / o explosivo para evitar la posibilidad de incendio o explosión. Algunos líquidos de limpieza pueden producir dichos vapores. Esta máquina no es adecuada para recoger polvo que ponga en peligro la salud.
- 11) Tenga especial cuidado cuando limpie escaleras.
- 12) No use esta máquina en exteriores.
- 13) Almacene la máquina en una zona seca y ventilada.

Desembalaje

Cuando reciba la máquina, inspeccione cuidadosamente la caja de envío y la máquina para detectar daños. En caso de daño, informe al transportista del daño y antes de aceptar la mercancía, resérvese el derecho de compensación por daños. La caja de embalaje incluye los siguientes artículos:

Contenidos (consultar F1):

- Máquina de inyección-extracción
- Boquilla de aspiración
- Cepillo giratorio
- Cable de extensión de alimentación de 50 inches

datos de identificación de la máquina

El número de serie de la máquina y el nombre del modelo están marcados en la etiqueta de serie. Esta información es útil. Utilice la siguiente tabla para anotar los datos de identificación de la máquina cuando requiera piezas de repuesto.

Modelo de máquina
Número de serie de la máquina.....

Componentes de la máquina (consultar página 3)

1. Interruptor de modo de pulverización 2. Gancho del cable de alimentación 3. Cable de alimentación 4. Tubo del mango (inoxidable) 5. Tanque de solución 6. Rueda trasera 7. Base de la máquina 8. Pedal de Soporte 9. Regulador de ajuste de la altura de la base 10. Regulador de la boquilla de aspiración 11. Entrada de la manguera de aspiración 12. Tapa superior 13. Abertura de llenado 14. Logo de Viper 15. Boquilla de aspiración 16. Panel de control 17. Boquilla de aspiración (opcional) 18. Boquilla de pulverización del accesorio manual 19. Conector rápido del accesorio manual 20. Mango de válvula del accesorio manual 21. Manguera de aspiración del accesorio manual 22. Abrazadera del cable 23. Panel base 24. Regulador de ajuste del mango 25. Abrazadera de la manguera 26. Acoplamiento del tubo de mira 27. Tubo de visión 28. Manguera de vaciado 29. Manguera de drenaje del tanque de recogida 30. Acoplador rápido de accesorios 31. Filtro de solución 32. Eje 33. Soporte de pie de la máquina 34. Base de boquilla 35. Boquilla de pulverización 36. Placa protectora 37. Tuerca de soporte 38. Tornillo de ensamblaje de la máquina 39. Cepillo giratorio 40. Soporte de cepillo giratorio 41. Depósito de tanque de recogida 42. Depósito de recogida 43. Cubierta del filtro 44. Cubierta del flotador 45. Filtro de espuma 46. Soporte del filtro 47. Cubierta de correa en V

Instalación de la boquilla de aspiración y cepillo giratorio

Instalación de boquilla de aspiración (consultar F2):

- 1) Primero, coloque la máquina en posición vertical sobre el suelo.
- 2) Eleve el regulador de la boquilla de aspiración.
- 3) Inserte la zapata de vacío para la manguera de aspiración y la base de montaje en la posición correcta.
- 4) Suelte regulador de la boquilla de aspiración.
- 5) Tire hacia atrás la zapata de vacío, si no se mueve, la instalación ha sido completada.

Instalación del cepillo giratorio (consultar

F3):

- 1) Colocar la máquina de lado.
- 2) Instale un lado del cepillo giratorio con la ranura de ubicación en la cremallera de montaje del cojinete y presione en el otro lado hacia el soporte del cepillo giratorio. Consejo: Primero, apriete un lado del cepillo y asegúrese de que el extremo con una ranura se haya instalado en su lugar y luego instale el otro lado.
- 3) Si el cepillo giratorio gira sin problemas, la instalación está completa.

Dirección del mango y boquilla de aspiración / ajuste de altura de cepillo rotatorio Ajuste de mango de dirección (consultar F4)

- 1) El aparato puede ajustar la altura del mango según la estatura del usuario o la costumbre personal de operación personal.
- 2) Sujete el regulador de ajuste del mango y girando en la dirección opuesta para aflojar el mango.
- 3) Ajuste el mango a la posición apropiada y apriete el regulador.

Boquilla de aspiración/ ajuste de cepillo rotatorio

Cuando la máquina trabaja en diferentes altura del pelo de la moqueta o el cepillo giratorio tiene cierto desgaste, los operarios pueden aumentar el rendimiento de limpieza de la máquina ajustando la altura de la boquilla de aspiración el cepillo giratorio **(consulte F5).**

- 1) Etiqueta de velocidad de funcionamiento de la máquina(0 → MAX indica la velocidad de la máquina de lento a rápido).
- 2) Etiqueta de presión del cepillo giratorio (- → + indica que la presión del cepillo aumenta).
- 3) Regulador de ajuste de a boquilla de aspiración.

Sujetando el regulador de ajuste de la boquilla de aspiración girándola en la misma dirección, mueva la boquilla de aspiración hacia arriba o hacia abajo hasta la posición adecuada.

Panel de control (consulte F6).

1. Interruptor de encendido 2. Interruptor de bomba de agua 3. Interruptor de motor de vacío 4. Fusible para motor de cepillo giratorio 5. Fusible para motor de vacío

Funcionamiento de la máquina

Antes de operar

- 1) Inspeccione el cable de alimentación y el cable de extensión para detectar daños. Reemplace el cable si está dañado.
- 2) Aspire la zona a limpiar para eliminar la mayor parte de los residuos sólidos antes de usar la máquina para limpiar.

Funcionamiento

Advertencia: no permita que el cable entre en contacto con las escobillas giratorias.

- 1) Usando una manguera o cubo, llene el tanque de solución con agua caliente. (máximo 120 ° F / 50 ° C, capacidad 9 Gal./35 L).
- 2) Agregue el detergente recomendado por el distribuidor.
- 3) Conecte el cable extensor de alimentación suministrado a la máquina. Enchufe el cable en una toma de corriente con conexión a tierra.
- 4) Encienda el interruptor de encendido y el interruptor de vacío / bomba.
- 5) Para comenzar a limpiar, pulse el interruptor del modo de pulverización y comience a tirar de la máquina hacia atrás. (Nota: el aparato solo pulverizará cuando el interruptor de la bomba esté ENCENDIDO y el interruptor del modo de pulverización esté pulsado).
- 6) Suelte el botón de pulverización al final del recorrido y continúe tirando de la máquina hacia atrás para recoger el exceso de solución.
- 7) Incline la máquina hacia atrás sobre las ruedas de transporte y avance para comenzar la siguiente ruta.

**Consejos de limpieza:**

- 1) Recorra la superficie a limpiar en rutas superpuestas.
- 2) Deje que la solución de detergente se remoje de 5 a 10 minutos en zonas muy sucias y repita la limpieza varias veces.
- 3) Trabaje lejos de la toma de corriente y del cable de alimentación para evitar dañar el cable de alimentación.
- 4) Compruebe continuamente la acumulación de espuma en el tanque de recogida. Use una solución de control de espuma recomendada por el distribuidor.

(Nota: una acumulación excesiva de espuma no activará la desconexión del flotador y puede dañar el motor de aspiración).

- 5) Si el cepillo deja de girar, puede que haya una obstrucción en el cepillo. Desenchufe el cable de alimentación, revise el cepillo y elimine la obstrucción.
- 6) Cuando el tanque de recogida está lleno, o el tanque de solución está vacío, debe vaciar el tanque de recogida. (Consulte el vaciado del depósito).

Operación con herramientas accesorias (sólo se deben usar piezas y accesorios recomendados / autorizados).

Se puede instalar un accesorio manual opcional para limpiar tapizado y escaleras. Operación con accesorio manual (**consulte F7**):

- 1) Desconecte la manguera de aspirado del depósito.
- 2) Inserte la manguera de aspirado de del accesorio manual en el depósito en lugar de la manguera de vacío normal.
- 3) Conecte el accesorio de conexión rápida al acoplador rápido ubicado en la parte trasera de la máquina.
- 4) Encienda el interruptor de alimentación y el interruptor de la bomba de motor / agua de aspiración.
- 5) Use la palanca en la herramienta de mano para pulverizar sobre la solución de detergente.
- 6) Cuando se complete la limpieza, apague el interruptor de la bomba de agua / motor de aspiración y luego apriete el gatillo durante 3 segundos para aliviar la presión del agua de las líneas de solución.

Apagado

- 1) Apague la máquina, desenchufe y retire el cable de alimentación.
- 2) Vacíe el tanque de recogida y el tanque de solución. (consulte el vaciado de depósitos)

Vaciado de los depósitos

Vaciado del depósito de recogida de recogida (consultar F8):

- 1) Mueva la máquina a una ubicación adecuada para el vaciado. (Por favor, tenga en cuenta el medio ambiente)
- 2) Sostenga la manguera de vaciado para el tanque de recogida y bájela para vaciar. Abra

la tapa de la manguera de vaciado para vaciar el tanque de recogida.

3) Recolecte la manguera de nuevo en la máquina.


Vaciado de tanque de solución (consultar F9):

1) Mueva la máquina a una ubicación adecuada para el vaciado. (Por favor, tenga en cuenta el medio ambiente).

2) Desconecte el acople de la manguera y baje la manguera para vaciar el tanque de solución.

3) Conecte el acople de la manguera de nuevo en la máquina.

Mantenimiento de la máquina

 **Advertencia: para evitar el riesgo de descarga eléctrica, siempre confirme que la máquina esté desenchufada antes de realizar cualquier mantenimiento o reparación.**

Para mantener la máquina funcionando correctamente y prolongar su vida útil, realice los siguientes procedimientos de mantenimiento.

Mantenimiento diario

1) Vacíe y enjuague el tanque de recogida y el tanque de solución..


2) Compruebe los acoples rápidos y las boquillas. Limpiar si es necesario (Nota: Nunca use objetos punzantes para limpiar las boquillas, sólo enjuáguelas con agua) **(consultar F10).**

3) Retirar el filtro flotante del tanque de recogida y límpielo con agua **(consultar F11).**

4) Compruebe el filtro del puerto y límpielo con agua **(consultar F12).**

5) Comprobar el filtro de la bomba debajo de la máquina y límpielo con agua **(consultar F13).**

6) Comprobar cepillo giratorio y eliminar cualquier residuo o fibras de alfombras.

 **Advertencia: apague el interruptor de alimentación y desconecte el enchufe antes de revisar el cepillo giratorio.**

7) Comprobar la boquilla de aspiración eliminar cualquier residuo o fibras de moqueta.

8) Limpiar la máquina con un paño suave tras el uso.

9) Antes de cada uso, compruebe si hay

daños en el cable de alimentación.

Mantenimiento mensual

1) Revise el desgaste del cepillo giratorio. Reemplazar si es necesario.

2) Compruebe si hay daños en las mangueras y el sellado. Cambiar si es necesario.

3) Comprobar si hay fugas de agua en la máquina.

4) Lubrique las ruedas.

5) Compruebe si la máquina tiene tuercas, tornillos o pernos sueltos o faltantes y cámbielos si es necesario.

6) Compruebe si hay daños y desgaste en la correa en V. Cambiar si es necesario.

Instalación de la boquilla (consultar F14).

1. Base de boquilla 2. anillo de goma de sellado 3. Boquilla de punta de pulverización. Después de limpiar la boquilla, ésta debe instalarse en la base. Primero, instale el anillo de goma en la posición correcta, luego presione hacia abajo y gire la boquilla 90 grados alineando la boquilla en una dirección horizontal, la instalación habrá finalizado..


Almacenamiento

Almacenamiento de cable de alimentación

1) Ate el cable de alimentación con sujetacables y guárdelo en el gancho del cable de alimentación. **(consultar F15).**

2) El cable de alimentación también se puede enrollar alrededor del tubo del mango **(consultar F16)**

Almacenamiento de la máquina

 **Nota: Vacíe el tanque de recogida y el tanque de solución antes de guardar la máquina para mantener los tanques ventilados y en caso de temperaturas bajo cero. Esta máquina debe almacenarse sólo en interiores.**

1) Guarde la máquina en una posición vertical en un área seca y presione el pedal para mantener el cepillo giratorio alejado del suelo **(consulte F17).**

2) Pliegue el mango a la parte posterior de la máquina para reducir el espacio de almacenamiento **(consulte F18).**

3) Retire la cúpula del tanque para permitir la circulación de aire.

Diagrama de cableado (consultar F19)

Especificaciones técnicas (consultar F20)

Composición y reciclado del material de la máquina: consultar F21.

Resolución de problemas básicos



Aviso; Desconectar de la corriente antes de realizar trabajos de mantenimiento.

Si sus problemas no se mencionan en esta tabla o si su máquina aún no funciona correctamente, por favor póngase en contacto con un servicio técnico autorizado para obtener ayuda.

Problema	Medida de corrección
La máquina no funciona en absoluto	Enchufe el cable a un enchufe con toma de tierra
	Pruebe un cable extensor de suministro de repuestos
El motor de aspiración no funciona	Encienda el interruptor del motor de aspiración
	Restablezca el fusible de protección del motor de aspiración (interruptor) en el panel de control
El motor del cepillo giratorio no funciona	Encienda el interruptor del motor del cepillo giratorio
	Restablezca el fusible de protección del motor del cepillo giratorio (interruptor) en el panel de control.
Rendimiento insuficiente de la aspiradora	Compruebe el anillo de sellado del tanque de recogida, límpielo o cámbielo si es necesario
	Vacíe el tanque de recogida
	Asegúrese de que la manguera de vacío esté bien insertada
	Compruebe si hay daños en la manguera de aspiración, cámbiela si es necesario
La boquilla no pulveriza agua	Reduzca la velocidad de la operación de limpieza
	Rellene el tanque de recogida
	Encienda el interruptor de la bomba de agua
	Enjuague la boquilla con agua caliente (max. 120°F/50°C)
El cepillo giratorio no funciona	Limpie o cambie el filtro de solución en la parte inferior de la máquina
	Encienda el interruptor del motor del cepillo giratorio
	Compruebe si hay daños en la correa en V, cámbiela si es necesario
	Comprobar el ensamblaje del cepillo giratorio
El cepillo giratorio no funciona	Compruebe si el cepillo del rodillo tiene fibras de alfombras, hilos o residuos que impiden que gire correctamente.

本地毯机是一款高效和快捷的地毯清洁设备，本机主要做商业用途，用于酒店，学校，医院，工厂，商场，办公室或者商业出租等。仅限于室内使用。

为了让操作者正确和安全的使用本机，请在机器运行和维护之前，仔细阅读本说明书。

▲ 安全指引：

本机器运行前需要接地，为了减少触电，火灾，或者受伤的危险，为了避免由于不当操作而损伤机器，请遵守以下安全指引：

- 1) 按照本说明书的要求使用机器，仅使用供应商推荐的配件。
- 2) 机器运行时不要离开机器，在使用完后关闭所有开关并拔掉电源线。
- 3) 本机器不适用于缺少经验，安全认知（包括小孩）的人使用。
- 4) 如果本机不能正常工作，请将此机器送到服务中心维修。
- 5) 为了避免被电击，不要用湿手接触电源线或者机器，断电时不要拉扯电源线，要拔插头。
- 6) 不要使用未经核准的延伸线或者电源插座，不要使用受损的电源线或者插头，连接的电源插座要接地。以下行为可能会损坏电源线：关门时夹住电源线；沿着边角处拉扯电源线；将电源线放在发热的表面上；拉扯电源线来移动机器。
- 7) 本机器带吸耙和滚刷，确保不要将头发，衣服，手指和其他身体部位靠近机器运行的部位，不要插入任何物体到运行的部位。
- 8) 不要吸取燃烧物，如香烟，火柴或者灰烬等。
- 9) 不要吸取易燃物或者易燃液体如汽油等。
- 10) 为了避免可能造成火灾或者爆炸不要吸取易燃易爆的灰尘或者气体。本机器不能用于吸取对人身有害的灰尘。
- 11) 在清洁楼梯时要采取额外的保护措施。
- 12) 不要在户外使用本机器。
- 13) 将机器储存在通风的干燥的区域。

机器开箱：

当机器收到之后，仔细检查外部包装纸箱和内部机器是否有破损，如有损坏，立即向运送货物人员反映。

纸箱内包含以下物件（参照 F1）：

- 地毯机
- 吸耙
- 滚刷
- 50' 延长电源线

机器识别码

本机器的序列号和型号都标记在序列号贴上。

这个信息很重要，请在以下表格上写上机器的识别码以便后续需要配件时使用。

机器型号.....
机器序列号.....

机器零部件（参照第 3 页）

1. 喷水开关
2. 电源线挂钩
3. 电源线
4. 手柄钢管（不锈钢）
5. 清水箱
6. 后大轮
7. 机器底座
8. 支撑架踏板
9. 吸耙高度调节旋钮
10. 吸耙释放旋钮
11. 吸管座
12. 污水箱盖
13. 清水箱入水口
14. 威霸标牌
15. 吸耙
16. 控制面板
17. 手提耙（选配）
18. 手提耙子喷头
19. 手提耙快速接头
20. 手提把手柄开关
21. 手提耙吸管
22. 电源线套
23. 消音盖板
24. 手柄调节旋钮
25. 管夹
26. 水位显示连接器

- 27.水位显示管/清水箱排水管
- 28.吸耙
- 29.排污管
- 30.手提耙快速接头
- 31.过滤器
- 32.转轴
- 33.支撑架
- 34.喷嘴底座
- 35.喷嘴
- 36.耐磨板
- 37.支撑架螺母
- 38.机器组装螺杆
- 39.滚刷
- 40.滚刷架
- 41.污水箱盖扣钩
- 42.污水箱
- 43.浮杯盖
- 44.浮杯套筒
- 45.过滤海绵
- 46.浮杯架
- 47.V带盖

吸耙和滚刷组装:

吸耙组装 (参照 F2):

- 1) 首先, 将机器正立放在地板上。
- 2) 提起吸耙释放按钮。
- 3) 将吸耙上端套入吸管, 下端插入到底座正确的位置上。
- 4) 松开吸耙释放按钮。
- 5) 向后拉吸耙, 如果吸耙不移动, 安装完成。

滚刷组装 (参照 F3)

- 1) 将机器侧放在地毯上。
- 2) 先将滚刷有凹槽的一端安装到有轴承的一字架上, 然后将另外一端用力压紧到滚刷安装架上。(贴士: 首先确保滚刷有凹槽的一端已经安装到位后再安装另外一端)
- 3) 用手转动滚刷, 如果滚刷转动顺畅, 安装完成。如果不顺畅则需要重新安装。

手柄方向调节和吸耙/滚刷高度调节

手柄方向调节 (参照 F4)

- 1) 本机器可以根据使用者的身高和操作

习惯来调节手柄高度。

- 2) 握住手柄高度调节旋钮, 向相反的方向旋转, 松开手柄。
- 3) 调节手柄高度到合适的位置后拧紧调节旋钮。

吸耙/滚刷高度调节

当机器在不同地毯上工作或者滚刷已经有明显的磨损, 使用者可以通过调节吸耙和滚刷的高度来提高机器的清洁性能 (参照 F5)

- 1) 机器移动速度标贴 (0 → MAX 表示机器移动的速度从低到高)
- 2) 滚刷压力标贴 (- → + 表示滚刷压力在增加)
- 3) 吸耙调节旋钮

将两个吸耙调节旋钮同时朝同一个方向旋转, 使吸耙上升或者下降到合适的位置。

控制面板 (参照 F6)


- 1.电源开关
- 2.水泵开关
- 3.吸力泵开关
- 4.滚刷电流保护器
- 5.吸力泵电流保护器

机器运行

机器运行前

- 1) 检查电源线和延伸线是否有损坏, 如果有损坏及时更换。
- 2) 清洁之前, 先将地毯上的固体碎片杂物清扫一遍。

运行机器

 **警告: 不要让电源线接触到旋转的滚刷。**

- 1) 用水管或者桶向清水箱注入热水。(最高温度 50°C, 最大容量 35L)
- 2) 加入供应商推荐的清洁液。
- 3) 将延长电源线连接到机器上, 将电源线插头插入带接地的电源插座内。
- 4) 打开电源开关, 打开吸力泵和水泵开关。
- 5) 按住手柄上的喷水开关并向后拉机器, 开始清洁。(注意: 机器只会在水泵开关和喷水开关同时打开的情况下才会喷水)
- 6) 清洁完后释放喷水开关, 继续向后拉机

器吸取剩余的清洁液。

- 7) 机器往后倾斜,向前推动机器开始清洗另外的区域。

▲ 操作提示:

- 1) 清洗道之间需要交叠清洗。
- 2) 在特别脏的区域先喷上清洁液,然后浸泡 5-10 分钟后再重复清洁。
- 3) 远离电源插座与电源线以免损坏电源线。
- 4) 不断的检查污水箱是否有过多的泡沫,使用代理商推荐的除泡剂。(注意:过多的泡沫将会使机器的浮球装置不能起作用,而且会损坏吸力马达)
- 5) 如果滚刷停止转动,刷子上可能有堵塞物,关掉电源开关并拔掉电源线,检查刷子并移除堵塞物。
- 6) 当污水箱满了或者清水箱空了,必须对污水箱排水(参照污水箱排污)

手提耙的使用:

(只能使用供应商推荐和授权的配件)

本机提供一种可以用来清洁家具和楼梯的手提耙作为选配件。

操作手提耙(参照 F7):

- 1) 将机器的吸力喉管从污水箱盖上取下。
- 2) 将手提耙上的吸管插入此位置。
- 3) 连接手提耙上的快接公插头和位于机器后面的快接母插头。
- 4) 打开电源开关,吸力泵开关和水泵开关。
- 5) 使用手提耙上的控制阀喷清洁液来进行清洗。
- 6) 清洗完毕,关掉水泵和吸力泵开关然后按住控制阀扳机 3 秒释放清水管内的水压。

关机

- 1) 关闭机器电源开关,拔掉并取走电源线。
- 2) 将清水箱和污水箱内的水排干净(参照机器排水)

机器排水

污水箱排水(参照 F8):

- 1) 将机器移动到适当的排污位置。(请考虑环境的保护)
- 2) 取下机器后面的放污管,使其低于下水

道,开打喉管塞子排水。

- 3) 用水冲洗污水箱内残留的泡沫或者污垢。
- 4) 装上喉管塞子,并将喉管附在机器后面。

清水箱排水(参照 F9):

- 1) 将机器移动到适当的排污位置。(请考虑环境的保护)
- 2) 打开清水箱排水管快速接头,进行排水。
- 3) 用水冲洗水箱内残留的清洁液。
- 4) 排完水后,将排水管接头装回机器上

机器的维护和保养:

▲ 警告: 为了避免被电击的危险,请确保在机器保养和维修之前已经脱离电源为了能够保持机器良好的性能和延长机器使用寿命,请按照以下方式保养本机。

每日的维护与保养

- 1) 在每日清洗完毕后,需对污水箱和清水箱排水,并冲洗污水箱和清水箱。
- 2) 检查快速接头和喷嘴,必要时清洗。(注意:不要使用尖锐的物体来清洁喷嘴,只能用热水冲洗)(参照 F10)
- 3) 从污水箱内取下浮杯过滤棉并用水清洗。(参照 F11)
- 4) 检查清水箱入水口过滤网内是否有堵塞物并用水清洗。(参照 F12)
- 5) 检查机器底部的水泵过滤器并用水来清洗。(参照 F13)
- 6) 检查滚刷是否有缠有纺织物或者地毯毛并移除。

▲ 警告: 在检查滚刷之前请关闭电源开关并拔掉电源线插头。

- 7) 检查吸耙是否附有碎片或者地毯毛并移除
- 8) 在每次使用机器之前,检查电源线,延长线和喉管是否有破损。

每月的维护与保养

- 1) 检查滚刷是否有磨损,必要时更换。
- 2) 检查喉管与密封条是否有损坏,必要时更换。
- 3) 检查机器是否有漏水。
- 4) 润滑轮子。
- 5) 检查机器是否有丝母,螺丝,螺杆松动

或松脱。

6) 检查 V 带是否有损坏，必要时更换。

喷头的安装 (参照 F14)

1. 喷头底座
2. 橡胶圈
3. 喷头

在清洗完喷头之后，喷头需要重新安装在喷头底座上，首先，将橡胶圈放到底座正确的位置上，然后向下压喷头并且旋转 90°使喷嘴处于水平位置，安装完成。

储存方式

电源线的储存

- 1) 将电源线用电缆绳索捆扎起来然后挂在手柄的电源线挂钩上。(参照 F15)
- 2) 电源线也可以绕在手柄上储存。(参照 F16)

机器的储存

▲ 注意：在储存机器之前要清空污水箱和清水箱以免机器里面残留的溶液在低温下结冰对机器造成损坏。本机器只能储存在室内。

- 1) 确保机器直立存放与干燥的场所，踩下踏板使滚刷悬空。(参照 F17)
- 2) 向后折叠手柄，减少储存空间。(参照 F18)
- 3) 打开污水箱盖，以便空气流通。

电路图参考 F19

技术参数参考 F20

机器材料成分与再循环能力参照 F21

基本故障排除

⚠ 注意:在保养和维修之前拔掉电源线插头。

如果您的问题在本章节没有提及或者在排除故障后机器仍不能正常工作，请联系售后服务人员获取帮助。

故障	解决办法
机器不能运行	电源线插头插到接地的插座上
	更换一条新的延长电源线
吸力泵不工作	打开吸力泵开关
	重置控制面板上的吸力泵电流保护器
滚刷马达不工作	打开滚刷马达开关
	重置控制面板上的滚刷马达电流保护器
吸水性能差	检查污水箱密封条是否脱落或者损坏，必要时清洁或者更换
	污水箱排水
	确保吸力喉管链接到位
	检查吸力喉管是否有破损，必要时更换
喷头不喷水	放慢机器移动吸水速度
	重新将清水箱加满水
	打开水泵开关
	用热水冲洗喷头（最大 50° C）
滚刷不旋转	清洗或者更换机器底部的清水箱过滤器
	打开滚刷马达开关
	检查 V 带是否损坏，必要时更换
	检查滚刷是否装配到位
	检查滚刷上是否缠有地毯毛，纺线或者碎片，这些都会阻止滚刷正常旋转。



Company information

Nilfisk Inc.9435

Winnetka Avenue North

Minneapolis ,MN 55445

www.usviper.com