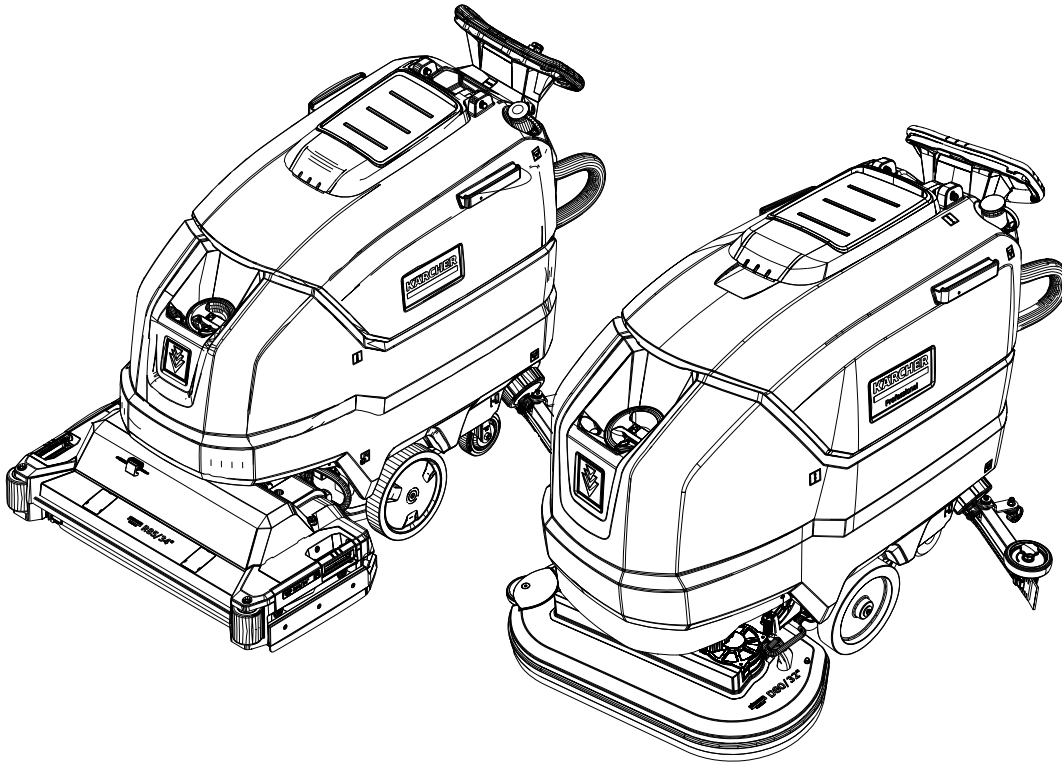


BD 70/75 W Classic Bp (NA)
BD 80/100 W Classic Bp
BR 75/75 W Classic Bp
BR 85/100 W Classic Bp

English	6
Español	16
Français	26

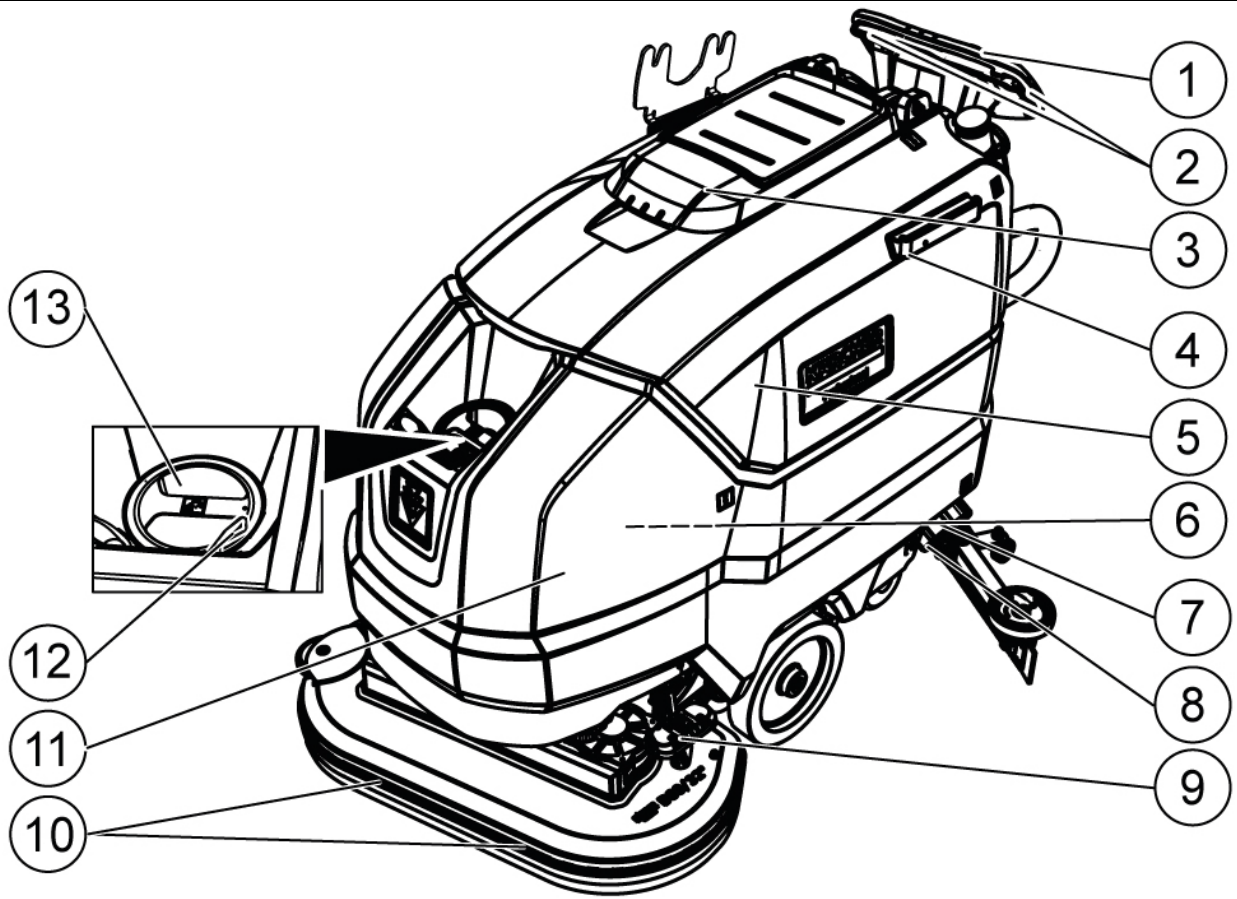


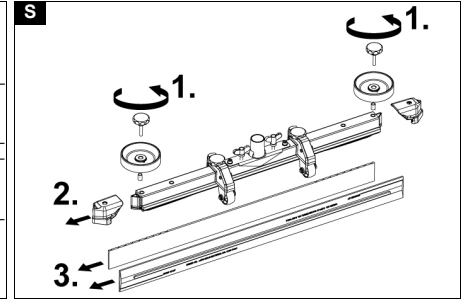
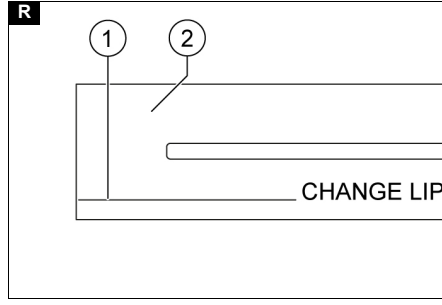
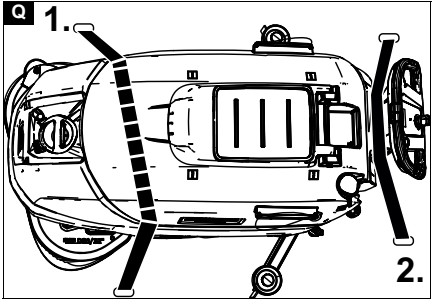
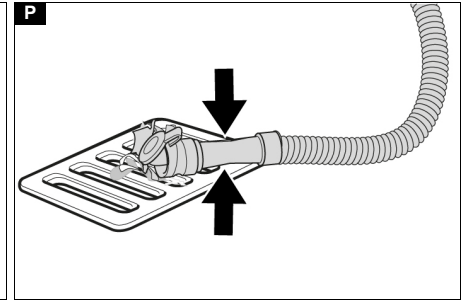
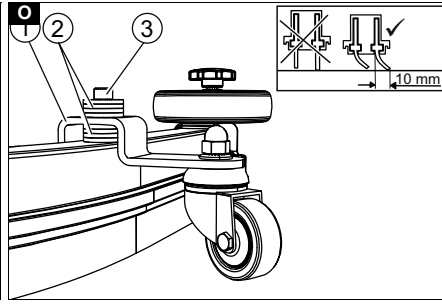
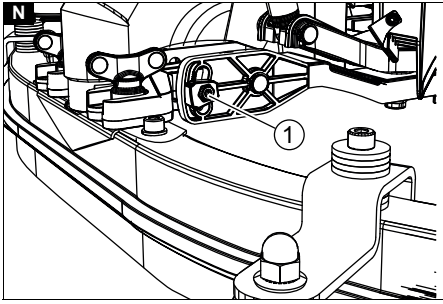
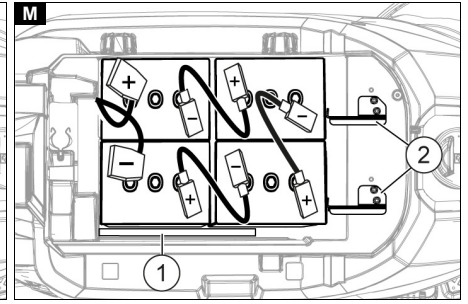
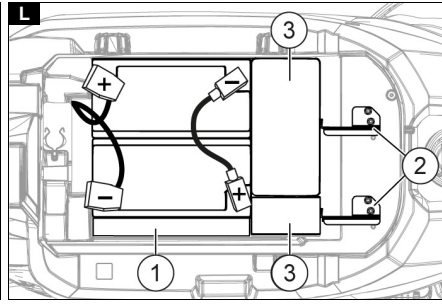
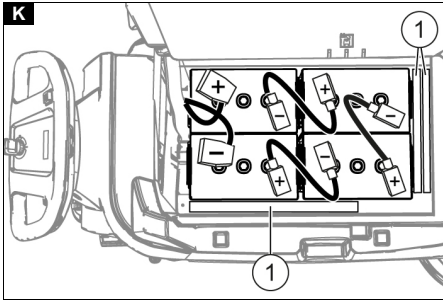
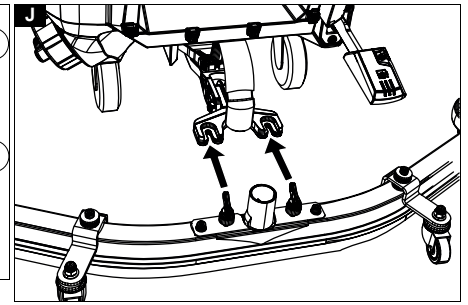
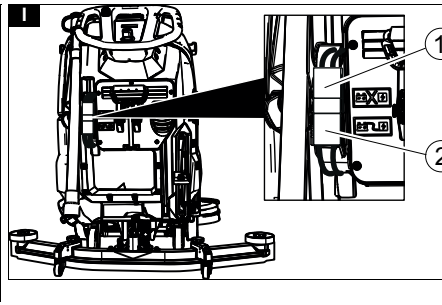
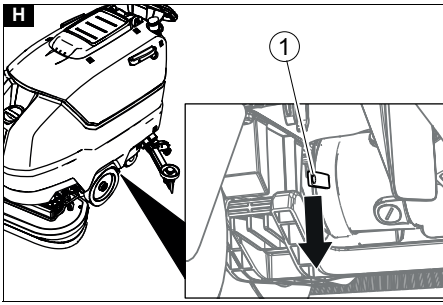
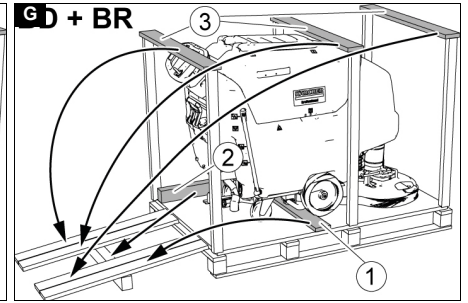
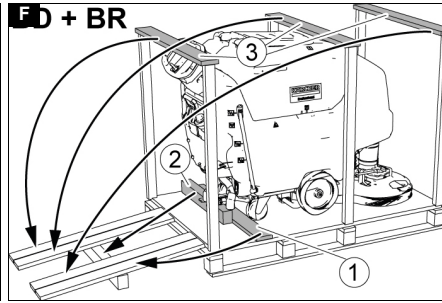
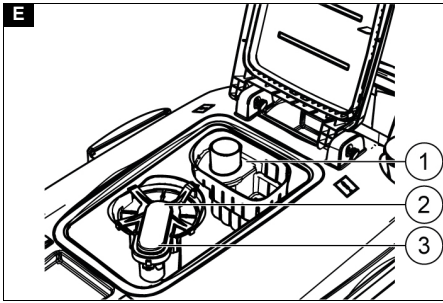
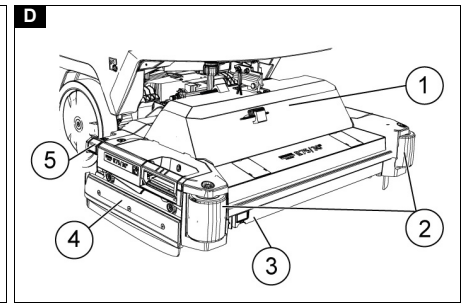
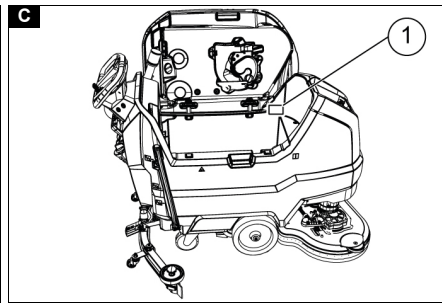
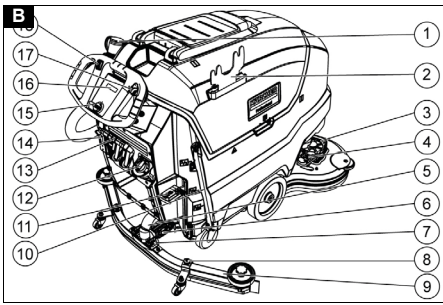
**Register
your product**
www.kaercher.com/welcome

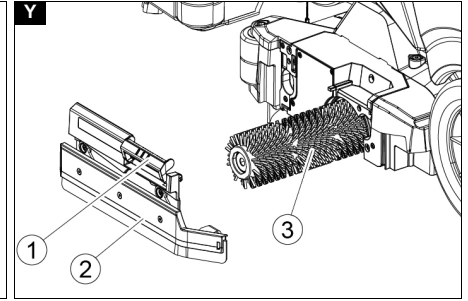
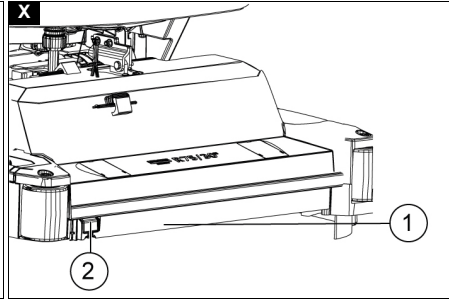
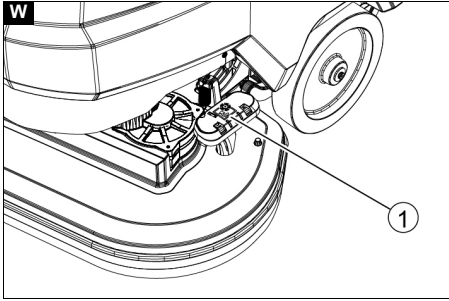
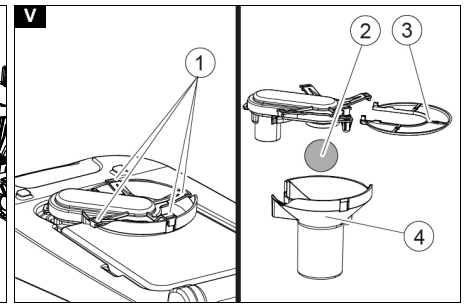
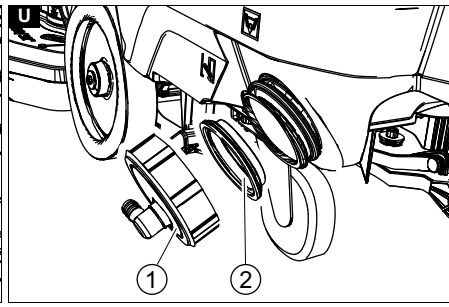
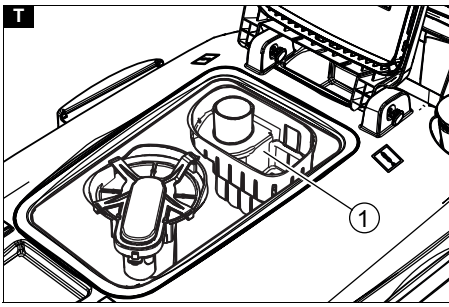


BD 70/75 W Classic Bp
BD 70/75 W Classic Bp Pack 170Ah
BD 70/75 W Classic Bp Pack 115Ah
BD 70/75 W Classic Bp*SAR
BD 80/100 W Classic Bp
BD 80/100 W Classic Bp Pack 285Ah
BD 80/100 W Classic Bp Pack 170Ah
BR 75/75 W Classic Bp
BR 75/75 W Classic Bp Pack 170Ah
BR 85/100 W Classic Bp
BR 85/100 W Classic Bp Pack 170Ah
BR 85/100 W Classic Bp Pack 285Ah
BD 70/75 W Classic Bp NA
BD 70/75 W Classic Bp Pack 115Ah NA
BD 70/75 W Clasic Bp Pack 170Ah NA

A







Contents

IMPORTANT SAFETY INSTRUCTIONS	6
OPERATING SAFETY RULES AND PRACTICES	6
MAINTENANCE AND REBUILD PRACTICES	7
FIRE SAFETY STANDARD	7
General notes	7
Function	7
Intended use	7
Environmental protection	7
Warranty	7
Accessories and spare parts.....	7
Scope of delivery	7
Safety instructions	8
Description of the unit.....	8
Installation.....	9
Initial startup	10
Operation	10
Transport.....	12
Storage	12
Care and maintenance	12
Troubleshooting guide	14
Accessories BD variant.....	14
Accessories BR variant.....	14
Accessories BD and BR variants.....	15
Technical data.....	15

IMPORTANT SAFETY INSTRUCTIONS

READ ALL INSTRUCTIONS BEFORE USING THIS APPLIANCE

⚠ **WARNING**

To reduce the risk of fire, electric shock, or injury:
DO NOT LEAVE appliance unattended when plugged in. Unplug from outlet when not in use and before servicing.

⚠ **WARNING**

TO REDUCE THE RISK OF ELECTRIC SHOCK-USE IN-DOORS ONLY

- Do not allow to be used as a toy. Close attention is necessary when used by or near children.
- Use only as described in this manual. Use only manufacturer's recommended attachments.
- Do not use with damaged cord or plug. If the unit is not working as it should, has been dropped, damaged, left outdoors, or dropped into water, return it to a service center.
- Do not pull or carry by the cord, do not use cord as a handle, do not close a door on the cord, or pull cord around sharp edges or corners. Do not run appliance over cord. Keep cord away from heated surfaces.
- DO NOT UNPLUG BY PULLING CORD. To unplug, grasp plug, not cord.
- Do not handle plug or appliance with wet hands.
- Do not put any objects into openings. Do not use if openings are blocked; keep free of dust, lint, hair, and anything that may reduce air flow.
- KEEP HAIR, CLOTHING, LOOSE JEWELRY, FINGERS and all parts of the body away from openings and moving parts.
- Turn off all controls before unplugging.
- Use extra care when cleaning on stairs.
- Do not use to pick up flammable or combustible liquids, such as gasoline, or use in areas where they may be present.
- Connect to a properly grounded outlet only. See Grounding Instructions.
- Always disconnect cord from electrical outlet before servicing appliance.
- Never sweep off explosive liquids, combustible gases or undiluted acids and solvents. This includes petrol, paint thinner or heating oil which can generate explosive fumes or mixtures upon contact with the air. Acetone, undiluted acids and sol-

vents must also be avoided as they can harm the materials on the machine.

- Do not vacuum up burning or smouldering objects!

GROUNDING INSTRUCTIONS

This device must be grounded. If it should malfunction or break down, grounding provides a path of least resistance for electric current to reduce the risk of electric shock.

This device is equipped with a cord having an equipment grounding conductor and ground plug.

The plug must be plugged into an appropriate outlet that is properly installed and grounded in accordance with all local codes and ordinances.

⚠ **DANGER**

Improper connection of the equipment grounding conductor can result in a risk of electrocution.

Check with a qualified electrician or service personnel if you are in doubt as to whether the outlet is properly grounded.

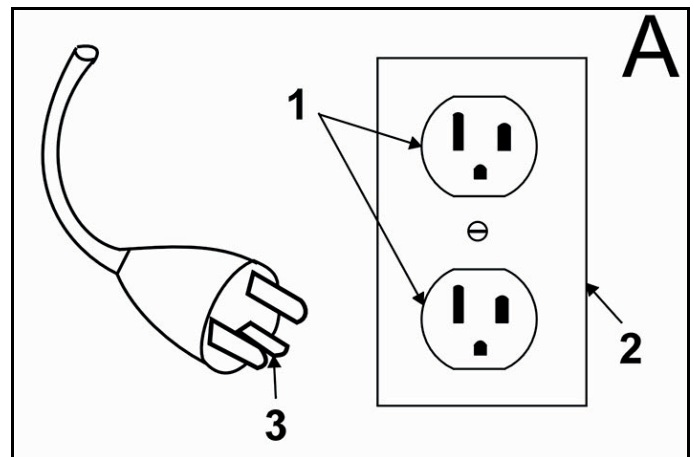
Do not modify the plug provided with the product - if it will not fit the outlet, have a proper outlet installed by a qualified electrician. Do not use any type of adapter with this product.

This appliance is for use on a nominal 120-volt circuit and has a grounding attachment plug that looks like the plug illustrated in sketchpicture A.

Make sure that the appliance is connected to an outlet having the same configuration as the plug.

No adaptor should be used with this appliance.

CONNECT TO A PROPERLY GROUNDED OUTLET ONLY



- ① Grounded outlet
- ② Grounded outlet box
- ③ Grounded pin

OPERATING SAFETY RULES AND PRACTICES

Owner/User Responsibility

The owner and/or user must have an understanding of the manufacturer's operating instructions and warnings before using this device.

Warning information should be emphasized and understood.

If the operator is not fluent in English, the manufacturer's instructions and warnings shall be read to and discussed with the operator in the operator's native language by the purchaser/ owner, making sure that the operator comprehends its contents.

Owner and/or user must study and maintain for future reference the manufacturers' instructions.

General

Before starting operation, the device must be in the operating position.

Do not start or operate the device, any of its functions or attachments, from any place other than from the designated operator's position.

Before leaving the operator's position:

- 1 bring the device to a complete stop;

2 if the device must be on an incline, block the wheels. Maintain a safe distance from the edge of ramps, platforms, and other similar working surfaces. Do not add to, or modify the device. Do not block access to fire aisles, stairways or fire equipment.

Traveling

Yield the right of way to pedestrians and emergency vehicles such as ambulances and fire trucks. Cross railroad tracks at an angle wherever possible. Do not park closer than 6 ft (1800 mm) to the nearest rail of a railroad track. Keep a clear view of the path of travel and observe for other traffic, personnel, and safe clearances. Under all travel conditions, operate the device at a speed that will permit it to be brought to a stop in a safe manner. Do not indulge in stunt driving or horseplay. Slow down for wet and slippery floors. Before driving over a dockboard or bridge plate, be sure that it is properly secured. Drive carefully and slowly across the dockboard or bridge plate, and never exceed its rated capacity. When negotiating turns, reduce speed to a safe level consistent with the operating environment. Make the turns smoothly.

Operator care of the device

If the device is found to be in need of repair or in any way unsafe, or contributes to an unsafe condition, the matter shall be reported immediately to the user's designated authority, and the device shall not be operated until it has been restored to safe operating condition. If during operation the device becomes unsafe in any way, the matter shall be reported immediately to the user's designated authority, and the device shall not be operated until it has been restored to safe operating condition. Do not make repairs or adjustments unless specifically authorized to do so.

MAINTENANCE AND REBUILD PRACTICES

Operation of the device may be hazardous if maintenance is neglected or repairs, rebuilds, or adjustments are not performed in accordance with the manufacturer's design criteria. Therefore, maintenance facilities (on or off premises), trained personnel, and detailed procedures shall be provided.

Maintenance and inspection of the device shall be performed in conformance with the following practices:

- 1 a scheduled planned maintenance, lubrication, and inspection system shall be followed; consult the manufacturer's recommendations.
- 2 Only trained and authorized persons shall be permitted to operate a powered floor scrubber. Operators of powered floor scrubbers shall be qualified as to visual, auditory, physical, and mental ability to operate the equipment safely.

Avoid fire hazards and have fire protection equipment present in the work area. Do not use open pans of fuel or flammable cleaning fluids for cleaning parts.

FIRE SAFETY STANDARD

Any device not in safe operating condition shall be removed from service.

Repairs shall not be made in Class I, Class II, and Class III locations.

Fire Prevention. The device shall be kept in a clean condition and reasonably free of lint, excess oil, and grease.

Noncombustible agents are preferred for cleaning the device. Flammable liquids [those having flash points at or above 100°F (37,8°C)] are not allowed. Precautions regarding toxicity, ventilation, and fire hazard shall be appropriate for the agent or solvent used.

Nameplate Visibility. The device type designations as shown on the nameplate and the type markers shall not be covered over with paint so that their identification information is obscured.

General notes



Read these original operating instructions and the enclosed safety instructions before using the device for the first time. Proceed accordingly. Keep both books for future reference or for future owners.

Function

This scouring and vacuum machine is used for wet cleaning of level floors.

The device can be adjusted to suit the respective cleaning task by setting the water volume and detergent volume appropriately. The detergent dosing is adjusted via the amount added to the tank.

The working width and the capacity of the fresh and waste water tanks (see chapter " *Technical data* ") enable effective cleaning with a long working time.

The device has a drive motor.

Note

The device can be equipped with various accessories to suit the respective cleaning task. Request a copy of our catalogue or visit our Internet website at www.kaercher.com.

Intended use

This device is suitable for commercial and industrial use, e.g. in hotels, schools, hospitals, factories, shops, offices, and rental companies. Use the device only in accordance with the information in these operating instructions.

- The device may only be used for cleaning smooth surfaces that are insensitive to water and polishing.
- The device is not suitable for cleaning frozen floors (e.g. in cold stores).
- The device is not suitable for use in potentially explosive environments.
- The device is approved for operation on surfaces with a maximum slope (see chapter *Technical data*).

Environmental protection



The packing materials can be recycled. Please dispose of packaging in accordance with the environmental regulations.



Electrical and electronic appliances contain valuable, recyclable materials and often components such as batteries, rechargeable batteries or oil, which - if handled or disposed of incorrectly - can pose a potential threat to human health and the environment. However, these components are required for the correct operation of the appliance. Appliances marked by this symbol are not allowed to be disposed of together with the household rubbish.

Notes on the content materials (REACH)

Current information on content materials can be found at: www.kaercher.com/REACH

Warranty

The warranty conditions issued by our relevant sales company apply in all countries. We shall remedy possible malfunctions on your appliance within the warranty period free of cost, provided that a material or manufacturing defect is the cause. In a warranty case, please contact your dealer (with the purchase receipt) or the next authorised customer service site.

(See overleaf for the address)

Accessories and spare parts

Only use original accessories and original spare parts. They ensure that the appliance will run fault-free and safely. Information on accessories and spare parts can be found at www.kaercher.com.

Scope of delivery

Check the contents for completeness when unpacking. If any accessories are missing or in the event of any shipping damage, please notify your dealer.

Safety instructions

Before using the device for the first time, read and observe these operating instructions and the accompanying brochure: Safety information for brush cleaning units spray retraction devices, No. 5.956-251.0.

The device is approved for operation on surfaces with a specified limited slope (see Chapter *Technical data*).

⚠ **WARNING**

Risk of injury!

Device may tip over on sloping surfaces.

Do not operate the device on sloping surfaces.

The device may only be operated when the hood and all covers are closed.

Safety devices

⚠ **CAUTION**

Missing or modified safety devices!

Safety devices are provided for your own protection.

Do not bypass, remove or render ineffective any safety devices.

Safety switch


The device switches off when the safety switch is released.

Key-operated switch

Pulling the key out of the key-operated switch secures the device against unauthorised use.

Warning symbols

Observe the following warnings when handling the batteries:

	Observe notes in the instructions for the battery, on the battery and in these operating instructions.
	Wear eye protection.
	Keep acids and batteries away from children.
	Risk of explosion
	Fire, sparks, open flames and smoking are prohibited.
	Risk of acid burns
	First aid.
	Warning
	Disposal
	Do not throw batteries in the bin.

Description of the unit

Overview of front side

- ① Push handle
 - ② Safety switch
 - ③ Waste water tank cap
 - ④ Homebase retaining rail
 - ⑤ Waste water tank
 - ⑥ ** Battery
 - ⑦ Fresh water filter
 - ⑧ Fresh water tank lock
 - ⑨ Pedal for brush replacement
 - ⑩ Disc brush
 - ⑪ Fresh water tank
 - ⑫ Hose holder
 - ⑬ Fresh water tank filling hole
- ** Not in scope of delivery

Overview of rear

- ① Waste water drain hose with dosing unit
- ② Cleaning head
- ③ Pedal for brush replacement
- ④ Suction hose
- ⑤ Suction bar inclination adjustment
- ⑥ Wing nuts for fastening the suction bar
- ⑦ Suction bar height adjustment
- ⑧ Suction bar
- ⑨ Fresh water filling level indicator
Fresh water drain hose
- ⑩ Cleaning head lever
- ⑪ Water volume regulation knob
- ⑫ Suction bar lever
- ⑬ Battery plug connector
- ⑭ Key-operated switch
- ⑮ Display
- ⑯ Working speed rotary knob
- ⑰ Driving direction switch

Overview of R head

Illustration D

- ① R head
- ② Scraper roll
- ③ Water distribution strip
- ④ Side skirt
- ⑤ Sweep bin

Overview of waste water tank

Illustration E

- ① Coarse dirt filter
- ② Fluff filter
- ③ Float

Type plate



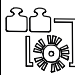
Illustration C



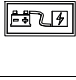
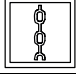


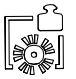
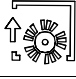
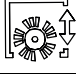

- ① Type plate

Colour coding

- Control elements for the cleaning process are yellow.
- Control elements for maintenance and servicing are light grey.

Symbols on the appliance

	Fresh water tank drain opening
	Waste water tank drain opening
	Increased cleaning head contact pressure

	Battery access
	Fresh water tank filling level (50%)
	Insert the charger plug here
	Lashing point
	* Mop holder
	ATTENTION Incorrect socket <i>Risk of damage</i> DO NOT insert the charger plug here
	Normal cleaning head contact pressure
	Raise the cleaning head
	Pedal for raising/lowering the cleaning head
	Brush replacement pedal

* optional

Installation

Unloading

1. Remove the carton.
2. Remove the straps.
3. Remove the wooden blocks fastened to the pallet by screws.
4. Using the 3 upper reinforcing boards of the carton packaging and the securing board screwed laterally on the pallet, place a ramp in front of the pallet and secure it using board pallet screws.

Illustration F

Illustration G

- ① Securing board
 - ② Beam
 - ③ Reinforcing board
5. Push the beam which has been unscrewed from the pallet under the ramp for support and screw into place.
 6. Press the cleaning head lever down and latch it in place.
 7. **Only for BD 80/100 and BR 85/100:** Press the brake lever down.

Illustration H

- ① Brake lever

Note

For BD 70/75 and BR 75/75, there is no brake. Releasing the brake is not necessary with this device.

8. Pull the device backwards off the pallet.
9. **Only for BD 80/100 and BR 85/100:** Press the brake lever up.

Installing the suction bar

1. Insert the suction bar in the suction bar mount.

Illustration J

2. Tighten the wing nuts.
3. Fit the suction hose.

Batteries

Recommended battery sets BD 70/75 and BR 75/75

Description	Order no.	Volume (m ³)*	Airflow (m ³ /h)**
Only BD 70/75 W 115 Ah - maintenance-free	2.815-091.0 ¹⁾	1.98	0.792
170 Ah - maintenance-free	2.815-092.0 ²⁾	2.31	0.924
180 Ah - maintenance-free	2.815-101.0 ³⁾	4.785	1.914

* Minimum volume of the battery charging room

** Minimum airflow between battery charging room and environment

For initial installation, an additional battery installation kit is required:

- 1 2638-198.0
- 2 2638-162.0
- 3 2638-106.0

Recommended battery sets BD 80/100 and BR 85/100

Description	Order no.	Volume (m ³)*	Airflow (m ³ /h)**
170 Ah - maintenance-free	2.815-092.0 ¹⁾	2.31	0.924
180 Ah - maintenance-free	2.815-101.0 ²⁾	4.785	1.914
240 Ah - maintenance-free	2.815-102.0 ²⁾	6.27	2.508
285 Ah - maintenance-free	2.815-095.0 ³⁾	11.88	4.752

* Minimum volume of the battery charging room

** Minimum airflow between battery charging room and environment

For initial installation, an additional battery installation kit is required:

- 1 2638-162.0
- 2 2638-106.0
- 3 2638-197.0

Low-maintenance batteries (wet batteries)

⚠ DANGER

Danger of burns due to acid leakage!

Only fill the battery with water when it is discharged.

When handling battery acid, use safety goggles and immediately rinse out any acid splashes on the skin or clothing with water.

ATTENTION

Risk of damage to the batteries!

Using water with additives will void the battery's warranty.

Top up the batteries using only distilled or desalinated water (EN 50272-T3).

Do not use any foreign additives or touch-up agents.

1. Add distilled water one hour before the charging process comes to an end. Observe the correct acid level according to the battery label.
All cells must produce gas at the end of the charging process.

Maintenance-free batteries (AGM and gel batteries)

ATTENTION

Risk of damage from AGM and gel batteries!

Opening or drilling the battery housing will damage an AGM or gel battery. It must then be replaced.

Do not open the battery housing and do not drill any holes. Do not cover the pressure relief valve and do not change it.

1. Only charge AGM and gel batteries using the specified chargers, see chapter: *Charging the battery.*

Installing and connecting batteries

⚠ WARNING

Risk of injury due to the device tipping over!

Device may tip over when removing and installing batteries. Ensure that the device is positioned stably when removing and installing the batteries.

ATTENTION

Risk of damage to the control electronics!

The control electronics can be destroyed by reversing the polarity of the battery connections.

Take care to ensure the correct polarity when connecting the batteries.

⚠ WARNING

Danger to life from fire or explosion if batteries are deeply discharged!

Incorrect charging of deeply discharged batteries can cause a fire.

Do not start the device if the battery is deeply discharged.

Make sure that the battery is charged before starting the system.

1. Drain the waste water.
2. Pivot the waste water tank upwards.
3. Place the battery in the device as shown. **Important:** Push the batteries all the way back!

BD 80/100 and BR 85/100

Illustration K

170 Ah, 2.815-092.0
180 Ah, 2.815-101.0
240 Ah, 2.815-105.0
285 Ah, 2.815-095.0

- ① Spacers

Illustration L

BD 70/75 and BR 75/75

115 Ah, 2.815-091.0
170 Ah, 2.815-092.0
180 Ah, 2.815-101.0

- ① Spacers
- ② Battery holder
- ③ Additional weights
4. Insert a spacer between the right batteries and the fresh water tank,
 - a **for 115 Ah battery set:** 1 piece lengthwise flat.
 - b **for battery sets other than 115 Ah:** 2 pieces lengthwise upright on top of each other.
5. **For BD 70/75 with 115 Ah battery set:** Insert the 4 additional weights.
6. Attach the battery fastener, to do so
 - a **for BD 70/75:** Install the 2 battery holders and **for 115 Ah:** Tighten at the left and middle threaded holes. **For BR 75/75 and BD 70/75: 170 Ah / 180 Ah:** Tighten at the right and middle threaded holes.
 - b **For BD 80/100 and BR 85/100:** Insert one or two spacers flat lengthwise or vertically between the front batteries and the fresh water tank so that the batteries cannot slip forward.
7. Connect the poles to the connection cables from the battery installation kit.
8. Clamp the connecting cables on the (+) and (-) battery terminals that are still free.
9. Connect the device-side battery connector to the battery-side battery connector.
10. Pivot the waste water tank downwards.

Removing the batteries

⚠ WARNING

Risk of injury due to the device tipping over!

Device may tip over when removing and installing batteries. Ensure that the device is positioned stably when removing and installing the batteries.

1. Turn the key-operated switch to "0" and remove the key.
2. Disconnect the battery plug.
3. Drain the waste water.
4. Pivot the waste water tank upwards.
5. Disconnect the device-end cable from the negative terminal of the battery.
6. Disconnect the remaining cables from the batteries.
7. **For BD 80/100:** Remove the spacer(s) between the front batteries and the fresh water tank.
8. **For 115 Ah battery set:** Take out the additional weights.
9. Remove the batteries.
10. Dispose of the used batteries in accordance with statutory provisions.

Initial startup

Charging the battery

⚠ DANGER

Risk of injury from charger!

Electric shock due to improper use of the charger!

Adhere to the mains voltage and fuse values specified on the device type plate.

Only use the charger in dry rooms with sufficient ventilation.

ATTENTION

Danger of explosion due to battery!

Gases accumulate under the tank during the charging process. Pivot the waste water tank upwards before charging low-maintenance batteries.

ATTENTION

Risk of damage due to unsuitable charger!

Do not connect the charger to the device-side battery connector. Use only a charger suitable for the type of battery installed.

Read the operating instructions of the charger manufacturer and observe the safety instructions in particular.

Battery set	Capacity	Charger
2.815-091.0	115 Ah	6654-367.0
2815-092.0	170 Ah	6654-436.0
2815-101.0	180 Ah	6654-434.0
2815-105.0	240 Ah	6654-437.0
2815-095.0	285 Ah	6654-419.0

The average charging time is approx. 10-15 hours.

The device cannot be used during the charging process.

Note

The device has deep discharge protection, i.e. the brush motor and turbine are switched off automatically when the permitted minimum capacity level is reached.

1. Drive the device directly to the charger and do not drive on slopes.
2. Pull out the device-side battery connector.

Illustration I

- ① Battery plug, device side
- ② Battery plug, battery side
3. Connect the battery-side battery connector to the charger.
4. Plug the mains plug of the charger into the socket.
5. Carry out the charging process in accordance with the operating instructions for the charger.
6. Connect the device-side battery connector to the battery-side battery connector.

Operation

ATTENTION

Risks during operation

Danger of injury

Release the safety switch in the case of danger.

Filling with operating materials

Filling fresh water

1. Open the fresh water tank cap.
2. Fill fresh water (maximal 122 °F (50 °C)) to the lower edge of the filling nozzle.
Note: The fresh water hose can be clamped with the hose holder during filling.
3. Close the fresh water tank lock.

Notes on detergents

⚠ **WARNING**

Risk of damage to the device!

If unsuitable detergents are used, the device may get damaged. Use only recommended detergents. The operator carries all increased risks relating to operational safety and increased risk of accidents if using other detergents.

Use only detergents free of solvents, salt and hydrofluoric acid. Adhere to the safety instructions stated on the detergent packaging.

Note

Do not use heavily foaming detergent.

Recommended detergents

Application	Detergent
Floor maintenance cleaner extra low foaming with EU Ecolabel	APPROX. 50 C
Highly wetting universal cleaner	RM 756
Intensive alcohol cleaner for floors and surfaces. Well-suited for hard rock such as granite	RM 755
Fine stone cleaner, surfactant-free	RM 753
Universal decoater, suitable for linoleum	RM 754
Acidic vending machine basic cleaner. Suitable for sanitary areas and construction cleaning	RM 751
Industrial maintenance cleaner	RM 69
Industrial basic cleaner and alkaline decoater	RM 752
Surface disinfectant cleaner	RM 732

Detergent

1. Fill the detergent into the fresh water tank.
Note: The cap for the fresh water tank filling hole can be used for measuring the correct quantity of detergent. It has a measuring scale marked on the inner side.

Adjusting the water volume

1. Adjust the water volume via the regulating knob to suit the degree of soiling of the floor covering.

Note

Perform initial cleaning tests with a low water volume. Increase the water volume step by step until achieving the desired cleaning result.

Note

The cleaning head continues operating without a liquid supply if the fresh water tank is empty.

Adjusting the suction bar

Adjusting the inclination

The inclination must be adjusted so that the suction lips of the suction bar make even contact with the floor over the entire length of the suction bar.

1. Loosen the screw.

Illustration N

- ① Screw
2. Adjust the inclination of the suction bar.
3. Tighten the screw.

Adjusting the height

The height adjustment affects the bending of the suction lips on contact with the floor.

1. Push the device a small distance forwards.
2. Compare the bending of the suction lips with the figure below.

Illustration O

- ① Spacer roller with holder
- ② Washer
- ③ Screw
3. Unscrew the screw.
4. Insert a sufficient number of washers between the suction bar and spacer roller to create the correct bending of the suction lip.
5. Fit the remaining unused washers above the spacer roller.
6. Screw in and tighten the screw.
7. Repeat the entire procedure at the second spacer roller.
8. Push the device a small distance forwards.
9. Check the bending of the suction lips over the entire length.
10. Repeat the adjustment procedure if necessary.

Cleaning

Switching on the device

1. Turn the key-operated switch to "1".
The display shows the following one after the other:
 - Period of time until the next after-sales Customer Service
 - Software version, control panel
 - Charging state of the battery and number of operating hours

Driving

Note

The direction of travel can be changed during the cleaning operation. This way, a certain position can be intensively cleaned by driving back and forth several times.

1. Set the driving direction switch to "forward".

Note

To reduce the vehicle width, the suction bar can be mounted on the transport holder. Narrow passages can be easily passed through in this way.

Cleaning

Note

The inclination and height of the suction bar can be adjusted to improve the vacuuming results (see chapter Adjusting the suction bar).

Note

When the waste water tank is full, the float switch closes the suction opening and the suction turbine runs at a higher speed. In this case, raise the suction bar and drive to the location for emptying the waste water tank.

1. Turn the working speed rotary knob to the desired value.
The speed is shown on the display during the adjustment. The display is shown in percentage of the maximum speed.
2. Set the water volume at the regulating valve.
3. Press the suction bar lever downwards.
The suction bar lowers.
Vacuuming begins.
4. Press the cleaning head lever downwards, unlatch it and allow it to move upwards.
5. Pull the safety switch towards the push handle.
The cleaning head starts up and the device moves at the set speed.

Increasing brush contact pressure (BD variant only)

1. Let go of the safety switch.
2. Lift the cleaning head lever up with your hand and latch it towards the right.

Finishing operation

Finishing cleaning

1. Let go of the safety switch.
2. Press the cleaning head lever down and latch it in place.
3. Continue moving a short distance.
The residual water is vacuumed up.
4. Lift the suction bar.
The suction continues to run for 10 seconds.
5. Turn the key-operated switch to "0".
6. Charge the battery if necessary.

Draining the waste water

⚠ **WARNING**

Environmental pollution!

Environmental pollution due to improper disposal in waste water. Observe the local waste water treatment regulations.

1. Remove the drain hose from the support and lower it over a suitable collecting device.

Illustration P

2. Press the dosing unit together or kink the hose.
3. Open the dosing unit cover.
4. Drain the waste water. Regulate the water volume by pressing or kinking.
5. Rinse the waste water tank with clear water.

Draining fresh water

1. Pull off the filling level indicator hose and swivel it down.

Quickly draining fresh water

1. Unscrew the fresh water tank cap.
2. Allow the fresh water to drain away.
3. Fit the fresh water tank cap and screw into place.

Note: Take care to ensure that the hose connection in the fresh water tank cap is positioned at the lowest point in the tank after screwing the cap in place.

Transport

⚠ **DANGER**

Driving on slopes

Risk of injury

Observe the maximum permissible inclination when driving the device on slopes for loading and unloading purposes (see chapter "Technical data").

Drive slowly.

⚠ **CAUTION**

Failure to observe the weight

Risk of injury and damage

Be aware of the weight of the device during transport.

Only load the device with the assistance of another person or by using the drive.

1. Press the cleaning head lever down and latch it in place.
2. Raise the suction bar.
3. Turn the key-operated switch to "1".
4. Select the travel direction at the travel direction switch.
5. Pull the safety switch towards the push handle.
6. When transporting in vehicles, secure the device against slipping and tipping over according to the applicable guidelines.

Illustration Q

7. First fit the strap under the waste water tank.

Storage

⚠ **CAUTION**

Failure to observe the weight

Risk of injury and damage

Be aware of the weight of the device during storage.

ATTENTION

Frost

Destruction of the device through freezing water

Drain all water from the device.

Store the device in a frost-free location.

- This device may only be stored indoors.

- Fully charge the batteries before storing them for a long period.
- Fully charge the batteries at least every month during storage.

Care and maintenance

⚠ **DANGER**

Risk of injury!

The device may start moving unexpectedly and cause injury.

Turn the key-operated switch to "0" and remove the key before performing any work on the device.

Pull out the charger mains plug.

- Drain and dispose of the waste water and fresh water.

Safety inspection/maintenance contract

You can agree on regular safety inspections or close a maintenance contract with your dealer. Please seek advice on this.

Maintenance intervals

Each time after use

ATTENTION

Risk of damage!

Risk of damage to the device due to improper cleaning.

Do not spray the device with water and do not use aggressive detergents.

A detailed description of the individual maintenance work is provided in Chapter *Maintenance work*.

- Drain the waste water.
- Rinse the waste water tank with clear water.
- Clean the exterior of the device using a damp cloth, wetted with a mild washing lye.
- Check the fluff filter and clean if required.
- Clean the coarse dirt filter.
- Clean the coarse dirt filter.
- **Only BR variants:** Remove and empty the coarse dirt receptacle.
- **Only BR variants:** Clean the water distribution channel.
- Clean the suction lips, check for wear and adjust the height or replace if necessary.
- Check the disc brushes for wear and replace if necessary.
- Charge the battery.
 - If the charging state of the battery is below 50%, charge the battery fully and without interruption.
 - If the charging state of the battery is above 50%, only recharge the battery if the entire operating duration will be required when next used.

Weekly

- When used regularly, charge the battery fully and without interruption at least once a week.

Monthly

A detailed description of the individual maintenance work is provided in Chapter *Maintenance work*.

1. Drain the fresh water tank and flush out deposits.
2. Clean the fresh water filter.
3. Clean the float and fluff filter.
4. Check battery poles for oxidation, brush off if necessary. Make sure the connection cables are firmly in place.
5. Clean the seals between the waste water tank and the cover, check for leaks and replace if necessary.
6. Check the acid density of the cells if the batteries are not maintenance-free.
7. If the device is not used for a longer period of time, shut down the device when the batteries are fully charged. Fully charge the battery at least once a month.

Annually

- Have the prescribed inspection performed by Customer Service.

Maintenance work

Turn over or replace the worn suction lips

The suction lips must be turned over or replaced when they have worn down to the wear mark.

Illustration R

- ① Wear mark
- ② Suction lip
1. Remove the suction bar.
2. Unscrew the star handles.

Illustration S

3. Pull off the plastic parts.
4. Pull off the suction lips.
5. Push in the turned over or new suction lips.
6. Push on the plastic parts.
7. Screw in and tighten the star handles.

Cleaning the fresh water filter

1. Drain the fresh water (see Chapter *Draining fresh water*).
2. Unscrew the fresh water tank lock.

Illustration U

- ① Fresh water tank lock
- ② Fresh water filter
3. Pull out the fresh water filter and rinse with clean water.
4. Insert the fresh water filter.
5. Fit the fresh water tank lock.

Note: Take care to ensure that the hose connection in the fresh water tank cap is positioned at the lowest point in the tank after screwing the cap in place.

Cleaning the coarse dirt filter

1. Open the waste water tank cover.

Illustration T

- ① Coarse dirt filter
2. Pull the coarse dirt filter upwards and off.
3. Rinse off the coarse dirt filter under running water.
4. Reinsert the coarse dirt filter into the waste water tank.

Clean the float and fluff filter

1. Open the waste water tank cover.

Illustration V

- ① Latching hooks
- ② Float
- ③ Fluff filter
- ④ Float housing
2. Release the latching hooks.
3. Pull the float housing downwards and off.
4. Remove the float from the float housing and clean it.
5. Remove the fluff filter and clean it.
6. Assemble all parts in the reverse order.

Replacing the disc brushes

1. Raise the cleaning head.
2. Press the brush replacement pedal down, beyond the zone of resistance.

Illustration W

- ① Brush replacement pedal
3. Pull the 1st disc brush sideways and out from underneath the cleaning head.
4. Hold the new disc brush under the cleaning head, then press upwards and latch it into position.
5. Repeat the procedure for the 2nd disc brush.

Replacing the roller brushes

1. Raise the cleaning head.
2. Pull out the brush replacement handle.

Illustration Y

- ① Brush replacement handle
- ② Bearing cover with squeegee blade
- ③ Roller brush

3. Remove the bearing cover including the squeegee blade.
4. Pull out the roller brush.
5. Fit the new roller brush and centre it on the driver.
6. Install the bearing cover with the squeegee blade.

Note

Make sure the roller brush sits on the mounting mandrel and not underneath.

7. Pivot the brush replacement handle upwards and latch it into place.
8. Repeat the entire procedure at the other side.

Cleaning the water distribution strip

Illustration X

- ① Water distribution strip
- ② Unlocking button
1. Press lock in the direction of the arrow and hold it there.
2. Pivot water distribution strip forward.
3. Pull out water distribution strip lengthways.
4. Clean the water distribution strip.
5. Fit water distribution strip back into the cleaning head and snap the lock into place.

Troubleshooting guide

⚠ DANGER

Risk of injury!

The device may start moving unexpectedly and cause injury.
Turn the key-operated switch to "0" and remove the key before performing any work on the device.

Pull out the charger mains plug.

- Drain and dispose of the waste water and fresh water.
- Contact Customer Service in the case of malfunctions that cannot be corrected using this table.

Malfunction	Rectification
The device cannot be started	<ol style="list-style-type: none"> 1. Turn the key-operated switch to "1". 2. Unlock the emergency stop button on the control panel by turning it. (Note: not all device versions are equipped with an emergency stop button) 3. Actuate the safety switch. 4. Insert the battery plug. 5. Check the battery and charge if necessary. 6. Check that the battery terminals are correctly connected.
The water volume is insufficient	<ol style="list-style-type: none"> 1. Check the fresh water filling level and fill the tank if necessary. 2. Increase the water volume at the water volume regulating knob. 3. Pull off the water distribution strip on the cleaning head and clean the water channel (BR variant only). 4. Clean the fresh water filter. 5. Check the hoses for clogging and clean if necessary.
The suction performance is too low	<ol style="list-style-type: none"> 1. Shut down the device and drain the waste water. 2. Clean the seals between the waste water tank and the cover, check for leaks and replace if necessary. 3. Check that the suction hose is correctly connected to the waste water tank. 4. Check the fluff filter for soiling and clean if necessary. 5. Clean the suction lips at the suction bar, turn over or replace if necessary. 6. Check that the cap on the waste water drain hose is closed. 7. Check the adjustment of the suction bar. 8. Check the suction hose for clogging and clean if necessary. The white marking on the hose must lie at the retaining clip when the suction hose is re-inserted. 9. Check the suction hose for leaks and replace if necessary.
The cleaning results are unsatisfactory	<ol style="list-style-type: none"> 1. Reduce the driving speed. 2. Check the brushes for wear and replace if necessary. 3. Check the suitability of the brush type and detergent used.
The suction turbine runs at an increased speed	<ol style="list-style-type: none"> 1. Drain the waste water. 2. Clean the float. 3. Check the fluff filter and clean if necessary. 4. Check the suction hose for clogging and clean if necessary. 5. Check the suction bar for clogging and remove any clogging if necessary
The brushes do not rotate	<ol style="list-style-type: none"> 1. Check if the brushes are blocked by a foreign body and remove the foreign body if necessary.
The device vibrates during cleaning	<ol style="list-style-type: none"> 1. Use a softer brush.

Accessories BD variant

Description	BD 70/75 part no.	BD 80/100 part no.	Description
Disc brush, white (soft)	4.905-011.0	4905-030.0	For cleaning lightly soiled or sensitive floors
Disc brush, natural colour (soft)	4905-012.0	4905-031.0	Made of natural fibres for cleaning and polishing
Disc brush, red (medium, standard)	4905-010.0	4.905-000.0	For use in all common cleaning tasks
Disc brush, black (hard)	4905-013.0	4905-032.0	For heavy soiling and basic cleaning, only for non-sensitive surfaces
Pad drive board	4762-590.0	4762-447.0	For cleaning with pads, with quick-change coupling and centre-lock
Pad, white	–	6.371-331.0	For polishing floors
Pad, red (medium soft)	6.369-003.0	6371-147.0	For cleaning all floors
Pad, green (medium hard)	6.369-002.0	6371-148.0	For cleaning heavily soiled floors and for basic cleaning
Pad, black (hard)	6.369-001.0	6371-169.0	For stubborn soiling and for basic cleaning
Pad, brown (SPP)	2.639-290.0	2639-288.0	For protective film application on hard and elastic surfaces

Accessories BR variant

Description	BR 75/75 part no.	BR 85/100 part no.	Description
Roller brush, white	6.907-771.0	6907-772.0	For polishing and maintenance cleaning of sensitive floors.
Roller brush, red	4.035-605.0	4.035-606.0	For maintenance cleaning of heavily soiled floors.
Roller brush, orange	6.907-730.0	6907-734.0	For scrubbing structural floors (safety tiles, etc.).
Roller brush, green	6.907-732.0	6907-735.0	For basic cleaning of heavily soiled floors and for coating removal
Roller brush, black	6.907-732.0	6907-736.0	(e.g. waxes, acrylates).

Description	BR 75/75 part no.	BR 85/100 part no.	Description
Pad roller shaft	4762-627.0	4762-628.0	For holding roller pads.
Microfiber roller	4114-007.0	4114-008.0	For maintenance cleaning of smooth floors.

Accessories BD and BR variants

Description	BD 70/75 W Classic Bp NA Part no.	BD 70/75 + BR 75/75 part no.	BD 80/100 + BR 85/100 part no.	Description
Suction bar, 950 mm, curved	4.777-111.0	–	–	For narrow passage widths
Suction bar, 1030 mm, curved	–	4.777-108.0	–	Standard
Suction bar, 1160 mm, curved	–	–	4.777-102.0	Standard
Suction lip set, natural rubber	4.037-174.0	4.037-144.0	4.037-138.0	Standard
PU suction lip set	4.037-173.0	4.037-145.0	4.037-140.0	Oil-proof
Suction lip set, Linatex	4.037-175.0	4.181-011.0	4.181-006.0	Tear-proof

Technical data

		BD 70/75 W Classic Bp	BR 75/75 W Classic Bp	BD 80/100 W Classic Bp	BR 85/100 W Classic Bp
Device performance data					
Nominal voltage	V	24	24	24	24
Battery capacity	Ah	115 / 170 / 180	170 / 180	170 / 180 / 240 / 285	170 / 180 / 240 / 285
Mean power input	W	1270	800	1320	1150
Driving motor power	W	250	250	300	300
Suction turbine power	W	500	500	500	500
Brush drive power	W	2 x 500	2 x 600	2 x 500	2 x 750
Theoretical surface performance	ft ² /h (m ² /h)	37674.7 (3500)	40364.7 (3.750)	43000 (4000)	45746.6 (4.250)
Fresh water tank capacity	gal (l)	19.8 (75)	19.8 (75)	26.4 (100)	26.4 (100)
Waste water tank capacity	gal (l)	19.8 (75)	19.8 (75)	26.4 (100)	26.4 (100)
Water temperature max.	°F (°C)	122 (50)	122 (50)	122 (50)	122 (50)
Water pressure max.	psi (bar)	0.87 (0.06)	0.87 (0.06)	0.87 (0.06)	0.87 (0.06)
Aisle turning width	in (mm)	61 (1550)	61 (1550)	65 (1650)	65 (1650)
Max. working area slope	%	2	2	2	2
Vacuuming					
Suction performance, air quantity	CFM (l/s)	50.8 (24)	50.8 (24)	50.8 (24)	50.8 (24)
Suction performance, vacuum	psi (kPa)	2.3 (16)	2.3 (16)	2.3 (16)	2.3 (16)
Cleaning brushes					
Working width	in (mm)	27.6 (700)	29.5 (750)	31.5 (800)	31.5 (800)33.5 (850)
Brush diameter	in (mm)	14 (356)	4.1 (105)	16.2 (410)	4.1 (105)
Brush speed	1/min	140	1200	140	1200
Brush contact pressure	lbf (N)	67.4 / 112.4 (300 / 500)	90 (400)	90 / 152.9 (400 / 680)	89.9 (400)
Dimensions and weights					
Approved total weight	lbs (kg)	959 (435)	727.5 (330)	959 (435)	970 (440)
Net weight (transport weight)	lbs (kg)	716 (325)	496 (225)	716 (325)	749.6 (340)
Battery compartment dimensions	in (mm)	24.5 x 15.1 (622 x 384)	22.6 x 15 (575 x 380)	24.5 x 15.1 (622 x 384)	24.5 x 15.1 (622 x 384)
Determined values in acc. with EN 60335-2-72					
Overall vibration value	m/s ²	<2.5	<2.5	<2.5	<2.5
Uncertainty K	dB(A)	0.2	0.2	0.2	0.2
Sound pressure level L _{pA}	dB(A)	65	65	65	65
Uncertainty K _{pA}	dB(A)	2	2	2	2
Sound power level L _{WA} + K uncertainty _{WA}	dB(A)	81	81	81	81

Subject to technical modifications.

Índice de contenidos

INSTRUCCIONES IMPORTANTES DE SEGURIDAD	16
NORMAS Y PRÁCTICAS DE SEGURIDAD PARA EL FUNCIONAMIENTO	16
MANTENIMIENTO Y PRÁCTICAS DE RECONSTRUCCIÓN	17
NORMA DE SEGURIDAD CONTRA INCENDIOS	17
Avisos generales.....	17
Funcionamiento	17
Uso previsto.....	17
Protección del medioambiente.....	17
Garantía.....	18
Accesorios y recambios.....	18
Alcance de suministro.....	18
Instrucciones de seguridad.....	18
Descripción del equipo.....	18
Montaje	19
Puesta en funcionamiento	20
Funcionamiento	21
Transporte.....	22
Almacenamiento.....	22
Conservación y mantenimiento.....	23
Ayuda en caso de fallos.....	24
Accesorios variante BD.....	25
Accesorios de la variante BR.....	25
Accesorios de las variantes BD y BR.....	25
Datos técnicos	25

INSTRUCCIONES IMPORTANTES DE SEGURIDAD

LEER TODAS LAS INSTRUCCIONES ANTES DE USAR ESTE APARATO

⚠ ADVERTENCIA

Para reducir el peligro de incendio, choque eléctrico o lesión:

NO DEJAR el aparato sin vigilancia cuando se enchufe. Desenchufar de la toma cuando no se esté usando y antes del mantenimiento.

⚠ ADVERTENCIA

PARA REDUCIR EL PELIGRO DE CHOQUE ELÉCTRICO UTILIZAR ÚNICAMENTE EN INTERIORES

- No deje que el equipo se utilice como si fuera un juguete. Cuando niños usan el equipo o cuando el equipo se encuentra cerca de niños, hay que extremar la precaución.
- Utilizar únicamente como se describe en este manual. Utilizar únicamente los accesorios recomendados por el fabricante.
- No utilizar con un cable o conector dañados. Si la unidad no está funcionando como debería, se ha caído, dañado, dejado al aire libre o caído al agua, devolver a un centro de servicio.
- No tirar del cable o llevar mediante el cable, no usar el cable como asa, no cerrar una puerta en el cable o tirar del cable alrededor de bordes o esquinas afilados. No pasar el aparato por encima del cable. Mantener el cable alejado de superficies calientes.
- **NO TIRAR DEL CONECTOR DE RED TIRANDO DE LA TOMA DE TIERRA DEL CABLE DE CONEXIÓN DE RED.** Para desconectar la red eléctrica, tirar del conector de red, no del cable de conexión de red.
- No manipular el conector o el aparato con las manos mojadas.
- No introduzca objetos en las aberturas. No utilice el equipo si las aberturas están obstruidas. Asegúrese de mantenerlas libres de polvo, pelusa, pelo y cualquier cosa que pueda obstruir el flujo de aire.
- Mantener alejado PELO, ROPA, SUCIEDAD SUELTA, DEDOS y todas partes del cuerpo de las aberturas y piezas móviles.
- Desconectar todos los controles antes de desenchufar.
- Tenga especial cuidado cuando limpie escaleras.

- No utilice el equipo para absorber líquidos inflamables o combustibles, como gasolina, y no lo utilice en áreas donde dichos líquidos puedan estar presentes.
- Conectar únicamente a una toma que esté puesta a tierra correctamente. Véanse las Instrucciones de puesta a tierra.
- Desconectar siempre el cable de la toma eléctrica antes de realizar el mantenimiento del dispositivo.
- No barrer nunca líquidos explosivos, gases combustibles o ácidos y disolventes no diluidos. Esto incluye gasolina, disolvente o gasóleo que pueden generar humos o mezclas explosivas al entrar en contacto con el aire. También se deben evitar la acetona, los ácidos sin diluir y los disolventes porque pueden dañar los materiales de la máquina.
- No aspirar objetos ardiendo o humeantes.

INSTRUCCIONES DE PUESTA A TIERRA

Este dispositivo debe estar puesto a tierra. En caso de un fallo de funcionamiento o avería, la conexión a tierra proporciona un camino de menor resistencia para que la corriente eléctrica reduzca el peligro de choque eléctrico.

Este dispositivo está equipado con un cable que tiene un conductor de puesta a tierra y un conector de puesta a tierra.

El conector debe estar conectado a una toma apropiada que esté instalada y puesta a tierra correctamente conforme a todos los códigos y ordenanzas locales.

⚠ PELIGRO

Una conexión incorrecta del conductor de puesta a tierra puede provocar riesgo de electrocución.

Consultar con un electricista o personal de servicio en caso de dudas acerca la puesta a tierra correcta de la toma.

No modificar el conector que se suministra con el producto. Si no encaja en la toma, contratar a un electricista para instalar correctamente la toma.

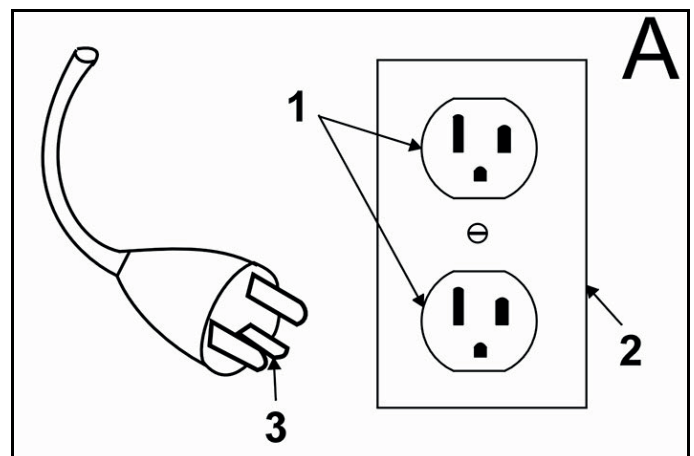
No usar ningún tipo de adaptador con este producto.

Este aparato es para uso en un circuito nominal de 120 voltios y tiene un conector de puesta a tierra parecido al conector que se ilustra en el dibujo A.

Garantizar que el aparato está conectado a una toma que tenga la misma configuración que el conector.

No se debe usar ningún adaptador con este aparato.

CONECTAR ÚNICAMENTE A UNA TOMA PUESTA A TIERRA CORRECTAMENTE



- ① Toma puesta a tierra
- ② Caja de distribución puesta a tierra
- ③ Pivote puesto a tierra

NORMAS Y PRÁCTICAS DE SEGURIDAD PARA EL FUNCIONAMIENTO

Responsabilidades del propietario/usuario

El propietario y/o el usuario deben comprender bien las instrucciones de servicio y advertencias del fabricante antes de empezar a utilizar este limpiador de alta presión.

Debe prestarse especial atención y tener muy claras las advertencias.

Si el operador no habla bien el español, el propietario/comprador debe responsabilizarse de leer y comentar las instrucciones y las advertencias en su lengua natal, y asegurarse de que entienda a la perfección su contenido.

El propietario y/o el usuario deben leer y guardar como referencia para el futuro las instrucciones del fabricante.

Generalidades

Antes de poner en funcionamiento la unidad, ésta deberá encontrarse en la posición de servicio.

No arrancar ni poner en funcionamiento la unidad, cualquiera de sus funciones o complementos, en otro sitio que no sea la posición designada de operario.

Antes de dejar la posición del operario:

- 1 para completamente el equipo;
- 2 si el equipo tiene que estar en una inclinación, bloquear las ruedas.

Mantenerse a una distancia segura del borde de rampas, plataformas y otras superficies de trabajo.

No realice modificaciones ni añadidos al equipo.

No bloquear el acceso a las salidas de emergencias de incendios, escaleras o equipo antiincendios.

Conducción

Ceder el paso a peatones y vehículos de emergencias como ambulancias o camiones de bomberos.

Cruce vías de tren en ángulo siempre que sea posible. No aparcar a menos de 1800 mm de la vía del tren.

Mantener una buena vista del camino por el que conduce y prestar atención al tráfico, personal y seguridad.

Operar el equipo siempre a una velocidad que permita parar de manera segura.

No permita realizar escenas peligrosas ni jugar con el equipo.

Reducir la velocidad en suelos húmedos y resbaladizos. Antes de conducir sobre un muelle o puente, asegúrese de que esté bien seguro. Conduzca con cuidado y lentamente por el muelle o puente, y no exceda nunca la capacidad indicada.

Al sortear curvas, reduzca la velocidad a un nivel seguro de acuerdo con el ambiente de funcionamiento. Sortear las curvas con cuidado.

Cuidados del equipo realizados por el operario

Si el equipo necesita ser reparado o es inseguro, o favorece una situación insegura, se deberá informar del problema inmediatamente al encargado designado por el usuario, y no se pondrá en funcionamiento el equipo hasta que se recupere el estado de funcionamiento seguro.

Si el equipo se vuelve inseguro de cualquier modo durante su funcionamiento, se deberá informar del problema inmediatamente al encargado designado por el usuario, y no se pondrá en funcionamiento el equipo hasta que se recupere el estado de funcionamiento seguro.

No realizar reparaciones o ajustes a no ser que se autorizó específicamente.

MANTENIMIENTO Y PRÁCTICAS DE RECONSTRUCCIÓN

El funcionamiento del equipo puede resultar peligroso si no realiza el mantenimiento o se llevan a cabo reparaciones, reconstrucciones o ajustes que no correspondan con los criterios de diseño del fabricante. Por lo tanto, se deben poner a disposición lugares de mantenimiento (en el mismo local o en otro lugar), personal cualificado, y procedimientos detallados.

El mantenimiento e inspección de la unidad se realizará de acuerdo con las siguientes prácticas:

- 1 a un mantenimiento planificado, le seguirán lubricación e inspección del sistema: consulte las recomendaciones del fabricante.
- 2 Sólo se permitirá operar un aparato para limpieza de suelos motorizado a personas formadas y autorizadas. Los operarios

de aparatos de limpieza de suelos motorizados deberán estar cualificados y tener la capacidad visual, auditiva, física y mental para operar equipos de forma segura.

Evitar los riesgos de incendios y tener equipo de protección de incendios en el área de trabajo. No usar recipientes abiertos de fuel o líquidos inflamables de limpieza para las limpiar las piezas.

NORMA DE SEGURIDAD CONTRA INCENDIOS

Cualquier unidad que no esté en un estado de funcionamiento seguro será retirada de servicio.

No se realizarán reparaciones en ubicaciones de clase I, clase II y clase III.

Prevención de incendios. Se mantendrá el equipo limpio y sin pelusas, exceso de aceite y grasa en la medida de lo posible.

Es preferible utilizar productos no combustibles para limpiar el equipo. No está permitido utilizar líquidos inflamables [aquellos que tengan puntos de inflamación de o superior a 37,8°C (100°F)]. Se deberá tomar precauciones ante la toxicidad, ventilación e incendios con el producto o disolvente usado.

Visibilidad de la placa identificadora. Las denominaciones de tipo de equipo se indican en la placa identificadora y no se deben cubrir las marcas de tipo con pintura para que no se vea la información de identificación.

Avisos generales



Antes de poner en marcha por primera vez el equipo, lea este manual de instrucciones y las instrucciones de seguridad adjuntas. Actúe conforme a estos documentos. Conserve estos dos manuales para su uso posterior o para propietarios ulteriores.

Funcionamiento

La presente fregadora aspiradora sirve para limpiar en húmedo suelos llanos.

El equipo puede adaptarse a la tarea de limpieza correspondiente mediante el ajuste de la cantidad de agua y detergente. La dosificación del detergente se ajusta mediante adición al depósito. El ancho útil y el volumen útil de los depósitos de agua fresca y sucia (ver el capítulo "Datos técnicos") permiten una limpieza efectiva en tiempos de aplicación prolongados.

El equipo está equipado con un motor.

Nota

El equipo puede equiparse con diferentes accesorios en función de la tarea de limpieza en cuestión. Solicite nuestro catálogo o visítenos en internet en la página www.kaercher.com.

Uso previsto

Este equipo es apto para el uso profesional e industrial, por ejemplo, en hoteles, escuelas, hospitales, fábricas, tiendas, oficinas y negocios de alquiler. Utilice este equipo únicamente de conformidad con las indicaciones de este manual de instrucciones.

- El equipo solo puede utilizarse para la limpieza de suelos planos resistentes a la humedad y al pulido.
- El equipo no es apto para la limpieza de suelos congelados (p. ej., en almacenes frigoríficos).
- El equipo no es apto para su utilización en entornos potencialmente explosivos.
- El equipo está autorizado para su uso sobre superficies con una pendiente máxima (véase el capítulo *Datos técnicos*).

Protección del medioambiente



Los materiales del embalaje son reciclables. Elimine los embalajes de forma respetuosa con el medioambiente.



Los equipos eléctricos y electrónicos contienen materiales reciclables y, a menudo, componentes, como baterías, acumuladores o aceite, que suponen un riesgo potencial para la salud de las personas o el medioambiente en caso de manipularse o eliminarse de forma inadecuada. Sin embargo, dichos componentes son necesarios para un servicio adecuado del equipo.

Los equipos identificados con este símbolo no pueden eliminarse con la basura doméstica.

Avisos sobre sustancias contenidas (REACH)

Encontrará información actual sobre las sustancias contenidas en: www.kaercher.com/REACH

Garantía

En cada país se aplican las condiciones de garantía indicadas por nuestra compañía distribuidora autorizada. Subsananos cualquier fallo en su equipo de forma gratuita dentro del plazo de garantía siempre que la causa se deba a un fallo de fabricación o material. En caso de garantía, póngase en contacto con su distribuidor o con el servicio de postventa autorizado más próximo presentando la factura de compra.
(Dirección en el reverso)

Accesorios y recambios

Utilice únicamente accesorios y recambios originales, estos garantizan un servicio seguro y fiable del equipo. Encontrará información sobre los accesorios y recambios en www.kaercher.com.

Alcance de suministro

Compruebe la integridad del alcance de suministro durante el desembalaje. Póngase en contacto con su distribuidor si faltan accesorios o en caso de daños de transporte.

Instrucciones de seguridad

Antes de utilizar por primera vez el equipo, lea y tenga en cuenta el presente manual de instrucciones y el folleto adjunto relativo a las instrucciones de seguridad para equipos de limpieza con cepillos y equipos de pulverización y aspiración combinadas, n.º 5.956-251.0, y respételas.

El equipo está autorizado para su uso sobre superficies con una pendiente limitada (véase el capítulo *Datos técnicos*).

⚠ ADVERTENCIA

Peligro de lesiones

El equipo puede volcar en superficies inclinadas.

No utilice el equipo sobre superficies en pendiente.

El equipo solo debe utilizarse cuando todas las cubiertas y tapas están cerradas.

Dispositivos de seguridad

⚠ PRECAUCIÓN

Dispositivo de seguridad faltantes o modificados

Los dispositivos de seguridad velan por su seguridad.

No anule, retire o deje sin efecto ningún dispositivo de seguridad.

Interruptor de seguridad

Si se suelta el interruptor de seguridad, el equipo se desconecta.

Interruptor de llave

Si se extrae el interruptor de llave, el equipo queda protegido contra usos no autorizados.

Símbolos de los avisos

A la hora de manipular baterías debe tener en cuenta los siguientes avisos:

	Tenga en cuenta los avisos de las instrucciones de uso de la batería, los avisos impresos sobre la propia batería y los avisos de este manual de instrucciones.
	Utilice protección para los ojos.
	Mantenga alejados a los niños de la batería y el ácido.

	Peligro de explosión
	Prohibido encender fuego, originar chispas, aplicar luz directa y fumar.
	Peligro de quemadura por ácido
	Primeros auxilios.
	Aviso
	Eliminación de residuos
	No deseche la batería en el cubo de basura.

Descripción del equipo

Vista general de la parte delantera

- ① Asa de empuje
- ② Interruptor de seguridad
- ③ Tapa del depósito de agua sucia
- ④ Riel de soporte para Homebase
- ⑤ Depósito de agua sucia
- ⑥ **Batería
- ⑦ Filtro de agua fresca
- ⑧ Cierre del depósito de agua fresca
- ⑨ Pedal para el cambio de cepillos
- ⑩ Cepillo circular
- ⑪ Depósito de agua fresca
- ⑫ Portamangueras
- ⑬ Boca de llenado del depósito de agua fresca

** No incluido en el alcance del suministro

Vista general de la parte trasera

- ① Manguera de desagüe de agua sucia con dispositivo de dosificación
- ② Cabezal de limpieza
- ③ Pedal para el cambio de cepillos
- ④ Manguera de aspiración
- ⑤ Ajuste de inclinación de la barra de aspiración
- ⑥ Tuerca de mariposa para la fijación de la barra de aspiración
- ⑦ Ajuste de altura de la barra de aspiración
- ⑧ Barra de aspiración
- ⑨ Indicador del nivel de llenado de agua fresca
Manguera de desagüe de agua fresca
- ⑩ Palanca del cabezal de limpieza
- ⑪ Botón de regulación de la cantidad de agua
- ⑫ Palanca de la barra de aspiración
- ⑬ Conector de la batería
- ⑭ Interruptor de llave
- ⑮ Display
- ⑯ Botón giratorio de velocidad de trabajo
- ⑰ Interruptor de dirección de marcha

Vista general del cabezal R

Figura D

- ① Cabezal R
- ② Rodillo de barrera
- ③ Barra de distribución de agua
- ④ Faldón lateral
- ⑤ Cajón de barrido

Vista general del depósito de agua sucia

Figura E

- ① Filtro de partículas de suciedad gruesas
- ② Filtro de pelusas
- ③ Flotador

Placa de características

Figura C

- ① Placa de características

Código de colores

- Los elementos de control de la limpieza se muestran en amarillo.
- Los elementos de control del mantenimiento se muestran en gris claro.

Símbolos en el equipo

	Boca de salida del depósito de agua fresca
	Boca de salida del depósito de agua sucia
	Presión de empuje aumentada del cabezal de limpieza
	Acceso a la batería
	Nivel de llenado del depósito de agua fresca (50 %)
	Conectar aquí el conector del cargador
	Punto de amarre
	*Portafregonas
	¡CUIDADO! Puesto de enchufe incorrecto <i>Peligro de daños</i> NO conectar aquí el conector del cargador
	Presión de empuje normal del cabezal de limpieza
	Cabezal de limpieza elevado
	Pedal para elevar/bajar el cabezal de limpieza
	Pedal del cambio de cepillos

* opcional

Montaje

Descarga

1. Retirar la caja de cartón.
2. Retirar las cintas de sujeción.

3. Desatornillar los bloques de madera fijados sobre la paleta con tornillos.
4. Colocar una rampa delante de la paleta con las 3 tablas de refuerzo del embalaje de cartón y con la tabla de fijación atornillada transversalmente en la paleta y fijar con tornillos para tableros de aglomerado.

Figura F

Figura G

- ① Tabla de fijación
- ② Madera escuadrada
- ③ Tabla de refuerzo
5. Empujar la madera escuadrada desatornillada de la paleta hasta colocarla debajo de la rampa como soporte y atornillarla.
6. Presionar hacia abajo la palanca del cabezal de limpieza y encajarla a la derecha.
7. **Solo para BD 80/100 y BR 85/100:** Presionar hacia abajo la palanca de freno.

Figura H

- ① Palanca de freno

Nota

Para BD 70/75 y BR 75/75 no hay freno disponible. La liberación del freno no es necesaria con este equipo.

8. Sacar hacia atrás el equipo de la paleta.
9. **Solo para BD 80/100 y BR 85/100:** Presionar hacia arriba la palanca de freno.

Montaje de la barra de aspiración

1. Insertar la barra de aspiración en la suspensión para la barra de aspiración.

Figura J

2. Apretar las tuercas de mariposa.
3. Conectar la manguera de aspiración.

Baterías

Juegos de baterías recomendados BD 70/75 y BR 75/75

Descripción	N.º de pedido	Volumen (m ³)*	Flujo de aire (m ³ /h)**
Solo BD 70/75 W 115 Ah - sin mantenimiento	2.815-091.0 ¹⁾	1,98	0,792
170 Ah - sin mantenimiento	2.815-092.0 ²⁾	2,31	0,924
180 Ah - sin mantenimiento	2.815-101.0 ³⁾	4,785	1,914

* Volumen mínimo del espacio de carga de batería

** Flujo de aire mínimo entre el espacio de carga de batería y el entorno

En la primera instalación también es necesario un juego de montaje de baterías:

- 1 2.638-198.0
- 2 2.638-162.0
- 3 2.638-106.0

Juegos de baterías recomendados BD 80/100 y BR 85/100

Descripción	N.º de pedido	Volumen (m ³)*	Flujo de aire (m ³ /h)**
170 Ah - sin mantenimiento	2.815-092.0 ¹⁾	2,31	0,924
180 Ah - sin mantenimiento	2.815-101.0 ²⁾	4,785	1,914
240 Ah - sin mantenimiento	2.815-102.0 ²⁾	6,27	2,508
285 Ah - sin mantenimiento	2.815-095.0 ³⁾	11,88	4,752

* Volumen mínimo del espacio de carga de batería

** Flujo de aire mínimo entre el espacio de carga de batería y el entorno

En la primera instalación también es necesario un juego de montaje de baterías:

- 1 2.638-162.0
- 2 2.638-106.0
- 3 2.638-197.0

Baterías de bajo mantenimiento (baterías húmedas)

⚠ PELIGRO

Peligro de quemaduras por fuga de ácido

Llene la batería con agua solo cuando esté descargada.

Utilice gafas de protección al manipular el ácido de la batería y enjuague inmediatamente con agua cualquier salpicadura de ácido que haya alcanzado la piel o la ropa.

⚠ CUIDADO

Peligro de daños en las baterías

El uso de agua con aditivos anulará la garantía de la batería.

Utilizar únicamente agua destilada o desionizada (EN 50272-T3) para rellenar las baterías.

No usar aditivos ajenos o agentes de mejora.

1. Añadir agua destilada una hora antes de que finalice el proceso de carga. Prestar atención al nivel de ácido correcto conforme al marcado de la batería.

Al final del proceso de carga deben gasear todas las celdas.

Baterías sin mantenimiento (baterías AGM y de gel)

⚠ CUIDADO

Peligro de daños al abrir baterías AGM y baterías de gel

Abrir o perforar la carcasa de la batería dañará la batería AGM o de gel y deberá reemplazarse.

No abra la carcasa de la batería y no taladre ningún agujero.

No cubra ni cambie la válvula de sobrepresión.

1. Cargue baterías AGM y de gel solo con los cargadores indicados, consulte el capítulo: *Carga de la batería*.

Colocación y conexión de las baterías

⚠ ADVERTENCIA

Peligro de lesiones por vuelco del equipo

El equipo puede volcar durante el desmontaje y montaje de las baterías.

Preste atención a que el equipo esté en una posición segura durante el desmontaje y el montaje de las baterías.

⚠ CUIDADO

Peligro de daños en la electrónica de control

La electrónica de control puede destruirse si se intercambia la polaridad de las conexiones de la batería.

Preste atención a la polaridad correcta al conectar la batería.

⚠ ADVERTENCIA

Peligro de muerte por incendio o explosión si las baterías están muy descargadas

La carga incorrecta de baterías completamente descargadas puede causar incendios.

No ponga en funcionamiento el equipo si batería está completamente descargada.

Asegúrese de que la batería está cargada antes de poner en funcionamiento el sistema.

1. Purgar el agua sucia.
2. Girar hacia arriba el depósito de agua sucia.
3. Colocar las baterías en el equipo tal y como se muestra. **Importante:** ¡Empujar las baterías completamente hacia atrás!

BD 80/100 y BR 85/100

Figura K

- 170 Ah, 2.815-092.0
- 180 Ah, 2.815-101.0
- 240 Ah, 2.815-105.0
- 285 Ah, 2.815-095.0

- ① Distanciador

Figura L

BD 70/75 y BR 75/75

115 Ah, 2.815-091.0

170 Ah, 2.815-092.0

180 Ah, 2.815-101.0

- ① Distanciador

- ② Soporte de la batería

- ③ Pesos adicionales

4. Colocar distanciadores entre las baterías de la derecha y el depósito de agua fresca,
 - a **en juegos de baterías de 115 Ah:** 1 distanciador plano y en horizontal.
 - b **en juegos de baterías que no sean de 115 Ah:** 2 distanciadores en cruz.
5. **En BD 70/75 con juego de baterías de 115 Ah:** colocar los 4 pesos adicionales.
6. Montar la fijación de la batería, para hacerlo
 - a **en BD 70/75:** Instalar los 2 soportes de la batería y a **115 Ah:** atornillar en los agujeros roscados de la izquierda y del medio. **En BR 75/75 y BD 70/75: 170 Ah/180 Ah:** atornillar el agujero roscado derecho y el del medio.
 - b **En BD 80/100 RS y BR 85/100 RS:** Inserte uno o dos distanciadores longitudinal o verticalmente entre las baterías delanteras y el depósito de agua fresca para que las baterías no puedan deslizarse hacia adelante.
7. Conectar los polos con los cables de conexión del juego de montaje de baterías.
8. Embornar los cables de conexión a los polos de batería todavía libres (+) y (-).
9. Conectar el conector de la batería del lado del equipo con el conector de la batería del lado de la batería.
10. Girar hacia abajo el depósito de agua sucia.

Desmontaje de las baterías

⚠ ADVERTENCIA

Peligro de lesiones por vuelco del equipo

El equipo puede volcar durante el desmontaje y montaje de las baterías.

Preste atención a que el equipo esté en una posición segura durante el desmontaje y el montaje de las baterías.

1. Poner el interruptor de llave a "0" y extraer la llave.
2. Desconectar las clavijas de las baterías.
3. Purgar el agua sucia.
4. Girar hacia arriba el depósito de agua sucia.
5. Desembornar el cable del lado del equipo del polo negativo de la batería.
6. Desembornar el resto de cables de las baterías.
7. **En BD 80/100:** Retirar el distanciador o los distanciadores de entre las baterías frontales y el depósito de agua fresca.
8. **En juegos de baterías de 115 Ah:** extraer los pesos adicionales.
9. Extraer las baterías.
10. Eliminar las baterías usadas de conformidad con las disposiciones vigentes.

Puesta en funcionamiento

Carga de la batería

⚠ PELIGRO

Peligro de lesiones causadas por el cargador

Descarga eléctrica debida al uso incorrecto del cargador.

Respete la tensión de red y la protección por fusible de la placa de características del equipo.

Use el cargador únicamente en entornos secos con una ventilación adecuada.

CUIDADO

Peligro de explosión causada por la batería

Los gases se acumulan bajo el depósito durante el proceso de carga.

Antes de cargar las baterías de bajo mantenimiento, gire hacia arriba el depósito de agua sucia.

CUIDADO

Peligro de daños causados por un cargador inadecuado

No conecte el cargador con el conector de la batería del lado del equipo.

Use únicamente un cargador compatible con el tipo de baterías montado.

Lea el manual de instrucciones del fabricante del cargador y tenga en cuenta, en particular, las instrucciones de seguridad.

Juego de baterías	Capacidad	Cargador
2.815-091.0	115 Ah	6.654-367.0
2.815-092.0	170 Ah	6.654-436.0
2.815-101.0	180 Ah	6.654-434.0
2.815-105.0	240 Ah	6.654-437.0
2.815-095.0	285 Ah	6.654-419.0

El tiempo de carga medio asciende a aprox. 10-15 horas. No se puede utilizar el equipo durante el proceso de carga.

Nota

El equipo dispone de una protección contra descarga completa; es decir, si se alcanza el nivel mínimo admisible de capacidad, se desconecta el motor de cepillos y la turbina.

- Llevar el equipo directamente al cargador evitando pendientes.
- Extraer el conector de la batería del lado del equipo.

Figura I

- Conector de la batería, lado del equipo
- Conector de la batería, lado de la batería
- Conectar el conector de la batería del lado de la batería con el cargador.
- Enchufar el conector de red del cargador en una caja de enchufe.
- Ejecutar el proceso de carga siguiendo las indicaciones del manual de instrucciones del cargador.
- Conectar el conector de la batería del lado del equipo con el conector de la batería del lado de la batería.

Funcionamiento

CUIDADO

Situación de peligro durante el funcionamiento

Peligro de lesiones

En caso de peligro suelte el interruptor de seguridad.

Llenado de materiales necesarios

Llenado de agua limpia

- Abrir el cierre del depósito de agua limpia.
- Añadir agua limpia (máximo 122 °F —50 °C—) hasta el borde inferior de la tubuladura de llenado.

Aviso: El tubo flexible de agua limpia puede engancharse con el portamangueras durante el llenado.

- Cerrar el cierre del depósito de agua limpia.

Indicaciones sobre los detergentes

⚠ ADVERTENCIA

Peligro de daños al equipo

El equipo puede sufrir daños si se usan productos de limpieza inadecuados.

Use únicamente detergentes recomendados. Si se utilizan otros detergentes, el operador asume un elevado riesgo en cuanto a la seguridad operacional y de accidentes.

Use únicamente detergentes que no contengan disolventes, ácido fluorhídrico ni ácido clorhídrico.

Tenga en cuenta las instrucciones de seguridad del detergente.

Nota

No utilice detergentes muy espumosos.

Detergentes recomendados

Uso	Detergente
Limpiador para el mantenimiento de suelos que genera muy poca espuma con etiqueta ecológica de la UE	CA 50 C
Limpiador universal altamente humectante	RM 756
Limpiador intensivo a base de alcohol para suelos y superficies; muy adecuado para piedras duras brillantes, como el granito	RM 755
Limpiador para gres cerámico fino, sin tensioactivos	RM 753
Decapante universal, apto para linóleo	RM 754
Detergente básico ácido; adecuado para la limpieza de áreas sanitarias y de la construcción	RM 751
Detergente para la limpieza de mantenimiento industrial	RM 69
Detergente básico industrial y decapante alcalino	RM 752
Limpiador de superficies con efecto desinfectante	RM 732

Detergente

- Introducir el detergente en el depósito de agua limpia.

Aviso: Se puede utilizar la tapa del orificio de llenado del depósito de agua limpia para medir la cantidad de detergente. Dispone de una escala en el lado interior.

Ajuste de la cantidad de agua

- Ajustar la cantidad de agua con el botón regulador en función de la suciedad del recubrimiento del suelo.

Nota

Realizar los primeros intentos de limpieza con poca cantidad de agua. Aumentar gradualmente la cantidad de agua hasta alcanzar el resultado de limpieza deseado.

Nota

Si el depósito de agua limpia está vacío, el cabezal de limpieza sigue funcionando sin suministro de fluido.

Ajuste de la barra de aspiración

Ajuste de la inclinación

La inclinación debe ajustarse de modo que los labios de aspiración de la barra de aspiración se apoyen sobre el suelo en toda su longitud y de forma uniforme.

- Aflojar el tornillo.

Figura N

- Tornillo
- Ajustar la inclinación de la barra de aspiración.
- Apretar el tornillo.

Ajuste de la altura

El ajuste de altura influye en la flexión de los labios de aspiración en contacto con el suelo.

- Deslizar un poco el equipo hacia delante.
- Comparar la flexión de los labios de aspiración con la figura inferior.

Figura O

- Rueda distanciadora con soporte
- Arandela
- Tornillo
- Desenroscar el tornillo.
- Colocar las arandelas necesarias entre la barra de aspiración y la rueda distanciadora para alcanzar la flexión correcta del labio de aspiración.
- Colocar el resto de arandelas sobre la rueda distanciadora.
- Enroscar y apretar el tornillo.

7. Repetir el proceso en la segunda rueda distanciadora.
8. Deslizar un poco el equipo hacia delante.
9. Volver a comprobar la flexión de los labios de aspiración en toda su longitud.
10. En caso necesario, repetir el proceso de ajuste.

Limpeza

Conexión del equipo

1. Colocar el interruptor de llave en "1".
La pantalla muestra sucesivamente:
 - El periodo hasta el próximo servicio técnico.
 - La versión de software, parte de manejo.
 - El estado de carga de la batería y la cantidad de horas de servicio.

Circulación

Nota

Se puede cambiar la dirección de marcha durante la limpieza. De esta manera se puede avanzar y retroceder en zonas que haya que limpiar de forma intensiva.

1. Colocar el interruptor de dirección de marcha en "hacia delante".

Nota

Para reducir la anchura del vehículo, la barra de aspiración se puede fijar en el soporte de transporte. De este modo es posible el paso por lugares estrechos sin problemas.

Limpeza

Nota

Es posible ajustar la inclinación y la altura de la barra de aspiración para mejorar el resultado de aspiración (véase el capítulo Ajuste de la barra de aspiración).

Nota

Si se llena el depósito de agua sucia, el flotador cierra el orificio de aspiración y la turbina de aspiración funciona a revoluciones elevadas. En ese caso, elevar la barra de aspiración y circular hasta el vaciado del depósito de agua sucia.

1. Girar el botón giratorio de velocidad de trabajo al valor deseado.
La velocidad se muestra en la pantalla durante el ajuste. La indicación aparece en porcentaje de la velocidad máxima.
2. Ajustar la cantidad de agua en la válvula de control.
3. Presionar hacia abajo la palanca de la barra de aspiración.
Desciende la barra de aspiración.
Se inicia la aspiración.
4. Presionar hacia abajo la palanca del cabezal de limpieza, des-enclavarla y dejarla subir.
5. Tirar del interruptor de seguridad para el asa de empuje.
Se pone en marcha el cabezal de limpieza y el equipo circula con la velocidad ajustada.

Aumento de la presión de aplicación de cepillos (solo variante BD)

1. Soltar el interruptor de seguridad.
2. Levantar con la mano la palanca del cabezal de limpieza y encajarla a la derecha.

Finalización del servicio

Finalización de la limpieza

1. Soltar el interruptor de seguridad.
2. Presionar hacia abajo la palanca del cabezal de limpieza y encajarla a la derecha.
3. Seguir circulando durante una distancia corta.
Se aspira el agua restante.
4. Elevar la barra de aspiración.
La aspiración sigue funcionando durante 10 segundos.
5. Colocar el interruptor de llave en "0".
6. En caso necesario, cargar la batería.

Purga de agua sucia

⚠ ADVERTENCIA

Contaminación del medio ambiente

Contaminación del medio ambiente debido a la eliminación inadecuada de las aguas residuales.
Tenga en cuenta las normativas locales en materia de tratamiento de aguas residuales.

1. Retirar la manguera de desagüe de la sujeción y bajarla sobre una instalación de recogida adecuada.

Figura P

2. Presionar o torcer el dispositivo de dosificación.
3. Abrir la tapa del dispositivo de dosificación.
4. Purgar el agua sucia. Regular la cantidad de agua aplicando presión o doblando.
5. Enjuagar el depósito de agua sucia con agua limpia.

Purga de agua limpia

1. Extraer la manguera del indicador del nivel de llenado y girarla hacia abajo.

Purga rápida de agua limpia

1. Desenroscar el cierre del depósito de agua limpia.
2. Dejar que salga el agua limpia.
3. Colocar el cierre del depósito de agua limpia y apretarlo.
Aviso: Prestar atención a que la conexión de manguera en el cierre del depósito de agua limpia esté en el punto más bajo tras el apretado.

Transporte

⚠ PELIGRO

Circulación por superficies inclinadas

Peligro de lesiones

Utilice el equipo para la carga y descarga únicamente sobre superficies inclinadas de hasta el valor máximo (véase el capítulo "Datos técnicos").

Circular a baja velocidad.

⚠ PRECAUCIÓN

Inobservancia del peso

Peligro de lesiones y daños

Tenga en cuenta el peso del equipo durante el transporte.

Cargue el equipo solo con la ayuda de otra persona o utilizando el motor.

1. Presionar hacia abajo la palanca del cabezal de limpieza y encajarla a la derecha.
2. Elevar la barra de aspiración.
3. Colocar el interruptor de llave en "1".
4. Seleccionar la dirección de marcha en el interruptor de dirección de marcha.
5. Tirar del interruptor de seguridad para el asa de empuje.
6. Al transportar el equipo en vehículos, asegurarlo para evitar que resbale y vuelque conforme a las directivas vigentes.

Figura Q

7. Colocar en primer lugar la correa de sujeción bajo el depósito de agua sucia.

Almacenamiento

⚠ PRECAUCIÓN

Inobservancia del peso

Peligro de lesiones y daños

Tenga en cuenta el peso del equipo para su almacenamiento.

CUIDADO

Helada

Destrucción del equipo debido a agua congelada

Vacíe todo el agua del equipo.

Conserve el equipo en un lugar sin heladas.

- Este equipo solo debe almacenarse en interiores.
- Cargar las baterías completamente antes de guardarlas durante mucho tiempo.
- Cargar completamente las baterías una vez al mes como mínimo mientras estén guardadas.

Conservación y mantenimiento

⚠ PELIGRO

Peligro de lesiones

El equipo puede ponerse en movimiento de manera imprevista y causar lesiones.

Antes de realizar cualquier trabajo en el equipo, coloque el interruptor de llave en "0" y extraiga la llave.

Extraiga el conector de red del cargador.

- Purgar y eliminar el agua sucia y el agua fresca.

Inspección de seguridad/contrato de mantenimiento

Puede acordar con su distribuidor una inspección de seguridad periódica o firmar un contrato de mantenimiento. Obtenga asesoramiento.

Intervalos de mantenimiento

Tras cada servicio

CUIDADO

Peligro de daños

Peligro de daños al equipo debido a una limpieza inadecuada.

No pulverice el equipo con agua y no use detergentes agresivos. Para la descripción detallada de los diferentes trabajos de mantenimiento, véase el capítulo *Trabajos de mantenimiento*.

- Purgar el agua sucia.
- Enjuagar el depósito de agua sucia con agua limpia.
- Limpiar el exterior del equipo con un paño humedecido en lejía.
- Comprobar el filtro de pelusas y limpiarlo en caso necesario.
- Limpiar el filtro de partículas de suciedad gruesas.
- Limpiar el filtro de partículas de suciedad gruesas.
- **Solo variante BR:** extraer el recipiente de suciedad gruesa y vaciarlo.
- **Solo variante BR:** limpiar el canal de distribución de agua.
- Limpiar los labios de aspiración, comprobar el desgaste y, en caso necesario, reajustar la altura o sustituirlos.
- Comprobar el desgaste de los cepillos circulares y sustituirlos en caso necesario.
- Cargar la batería.
 - Si el estado de carga es inferior al 50 %, cargar completamente la batería sin interrupción.
 - Si el estado de carga es superior al 50 %, recargar la batería solo si se necesita un tiempo de funcionamiento completo durante la próxima utilización.

Semanalmente

- Con un servicio regular, cargar la batería por completo y sin interrupción una vez por semana como mínimo.

Mensualmente

Para la descripción detallada de los diferentes trabajos de mantenimiento, véase el capítulo *Trabajos de mantenimiento*.

1. Vaciar el depósito de agua fresca y limpiar las incrustaciones.
2. Limpiar el filtro de agua fresca.
3. Limpiar el flotador y el filtro de pelusas.
4. Comprobar la oxidación de los polos de la batería y cepillarlos en caso necesario. Comprobar que el cable de conexión está bien fijado.
5. Limpiar las juntas entre el depósito de agua sucia y la tapa y comprobar la estanqueidad. Sustituir en caso necesario.
6. Si se trata de baterías que necesitan mantenimiento, comprobar la densidad del ácido de las celdas.
7. Durante largos tiempos de inactividad, desconectar el equipo con la batería completamente cargada. Cargar completamente la batería una vez al mes como mínimo.

Anualmente

- Solicitar al servicio técnico la inspección obligatoria.

Trabajos de mantenimiento

Giro o sustitución de los labios de aspiración.

Si los labios de aspiración están desgastados hasta la marca de desgaste, deben girarse o sustituirse.

Figura R

- ① Marca de desgaste
- ② Labio de aspiración
1. Retirar la barra de aspiración.
2. Desenroscar las empuñaduras de estrella.

Figura S

3. Extraer las piezas de plástico.
4. Extraer los labios de aspiración.
5. Introducir los labios de aspiración girados o nuevos.
6. Colocar las piezas de plástico.
7. Enroscar y atornillar las empuñaduras de estrella.

Limpieza del filtro de agua limpia

1. Purgar el agua limpia (véase el capítulo *Purga de agua limpia*).
2. Desenroscar el cierre del depósito de agua limpia.

Figura U

- ① Cierre del depósito de agua limpia
- ② Filtro de agua limpia
3. Extraer el filtro de agua limpia y enjuagarlo con agua limpia.
4. Colocar el filtro de agua limpia.
5. Colocar el cierre del depósito de agua limpia.

Aviso: Prestar atención a que la conexión de manguera en el cierre del depósito de agua limpia esté en el punto más bajo tras el apretado.

Limpieza del filtro de partículas de suciedad gruesas

1. Abrir la tapa del depósito de agua sucia.

Figura T

- ① Filtro de partículas de suciedad gruesas
2. Extraer hacia arriba el filtro de partículas de suciedad gruesas.
3. Enjuagar el filtro de partículas de suciedad gruesas con agua corriente.
4. Introducir el filtro de partículas de suciedad gruesas en el depósito de agua sucia.

Limpieza del flotador y el filtro de pelusas

1. Abrir la tapa del depósito de agua sucia.

Figura V

- ① Gancho de enclavamiento
- ② Flotador
- ③ Filtro de pelusas
- ④ Carcasa del flotador
2. Soltar los ganchos de enclavamiento.
3. Extraer hacia abajo la carcasa del flotador.
4. Extraer el flotador de la carcasa del flotador y limpiarlo.
5. Retirar y limpiar el filtro de pelusas.
6. Realice el montaje de todos los componentes en el orden contrario.

Sustitución de los cepillos circulares

1. Elevar el cabezal de limpieza.
2. Presionar hacia abajo el pedal de cambio de cepillos completamente.

Figura W

- ① Pedal del cambio de cepillos
3. Extraer el primer cepillo circular lateralmente por debajo del cabezal de limpieza.
4. Mantener el nuevo cepillo circular bajo el cabezal de limpieza, presionar hacia arriba y encajarlo.
5. Repetir el proceso en el segundo cepillo circular.

Sustitución de los cilindros de cepillos

1. Elevar el cabezal de limpieza.
2. Sacar la empuñadura del cambio de cepillos.

Figura Y

- ① Empuñadura del cambio de cepillos
 - ② Tapa del cojinete con labio rascador
 - ③ Cilindro de cepillos
3. Retirar la tapa del cojinete, incluido el labio rascador.
 4. Sacar el cilindro de cepillos.
 5. Insertar el nuevo cilindro de cepillos y centrarlo en el dispositivo de arrastre.
 6. Instalar la tapa del cojinete con el labio rascador.

Nota

Asegurarse de que el cilindro de cepillos esté sobre el mandril y no debajo.

7. Mover la empuñadura del cambio de cepillos hacia arriba y encajarla.
8. Repetir el proceso en el lado opuesto.

Limpieza de la barra de distribución de agua

Figura X

- ① Barra de distribución de agua
 - ② Desbloqueo
1. Presionar el desbloqueo en la dirección de la flecha y mantenerlo.
 2. Girar la barra de distribución de agua hacia adelante.
 3. Sacar la barra de distribución de agua en dirección longitudinal.
 4. Limpiar la barra de distribución de agua.
 5. Volver a colocar la barra de distribución de agua en el cabezal de limpieza y encajar el cierre.

Ayuda en caso de fallos

⚠ PELIGRO

Peligro de lesiones

El equipo puede ponerse en movimiento de manera imprevista y causar lesiones.

Antes de realizar cualquier trabajo en el equipo, coloque el interruptor de llave en "0" y extraiga la llave.

Extraiga el conector de red del cargador.

- Purgar y eliminar el agua sucia y el agua fresca.
- En caso de fallos que no puedan subsanarse con la ayuda de esta tabla, ponerse en contacto con el servicio de postventa.

Fallo	Solución
El equipo no se puede encender	<ol style="list-style-type: none"> 1. Colocar el interruptor de llave en "1". 2. Girar el pulsador de parada de emergencia del panel de control para desbloquearlo. (Aviso: no todas las versiones del equipo incluyen un pulsador de parada de emergencia.) 3. Accionar el interruptor de seguridad. 4. Conectar el conector de la batería. 5. Comprobar las baterías y recargar en caso necesario. 6. Comprobar si los polos de la batería están conectados.
La cantidad de agua es insuficiente	<ol style="list-style-type: none"> 1. Comprobar el nivel de llenado de agua fresca y rellenar el depósito en caso necesario. 2. Aumentar la cantidad de agua con el botón de regulación de la cantidad de agua. 3. Extraer la barra de distribución de agua del cabezal de limpieza y limpiar el canal de agua (solo variante BR). 4. Limpiar el filtro de agua fresca. 5. Comprobar si las mangueras están obstruidas y limpiarlas en caso necesario.
La potencia de aspiración es insuficiente	<ol style="list-style-type: none"> 1. Desconectar el equipo y evacuar el agua sucia. 2. Limpiar las juntas entre el depósito de agua sucia y la tapa y comprobar la estanqueidad. Sustituir en caso necesario. 3. Comprobar si la manguera de aspiración está conectada correctamente con el depósito de agua sucia. 4. Comprobar si el filtro de pelusas está sucio y limpiarlo en caso necesario. 5. Limpiar los labios de aspiración en la barra de aspiración y, en caso necesario, girarlos o sustituirlos. 6. Comprobar si la tapa de la manguera de desagüe de agua sucia está cerrada. 7. Comprobar el ajuste de la barra de aspiración. 8. Comprobar si la manguera de aspiración está obstruida y limpiarla en caso necesario. Al volver a colocar la manguera de aspiración, la marca blanca de la manguera debe estar en el clip de sujeción. 9. Comprobar la estanqueidad de la manguera de aspiración y sustituirla en caso necesario.
El resultado de limpieza es deficiente	<ol style="list-style-type: none"> 1. Reducir la velocidad. 2. Comprobar el desgaste de los cepillos y sustituirlos en caso necesario. 3. Comprobar que el tipo de cepillos y el detergente sean adecuados.
La turbina de aspiración funciona a revoluciones elevadas	<ol style="list-style-type: none"> 1. Purgar el agua sucia. 2. Limpiar el flotador. 3. Comprobar el filtro de pelusas y limpiarlo en caso necesario. 4. Comprobar si la manguera de aspiración está obstruida y limpiarla en caso necesario. 5. Comprobar si la barra de aspiración está obstruida y subsanar la obstrucción.
El cepillo no gira	<ol style="list-style-type: none"> 1. Comprobar si hay algún cuerpo extraño que bloquea el cepillo y retirar el cuerpo extraño en caso necesario.
El equipo vibra durante la limpieza	<ol style="list-style-type: none"> 1. Utilizar un cepillo más suave.

Accesorios variante BD

Denominación	BD 70/75 n.º ref.	BD 80/100 n.º ref.	Descripción
Cepillo circular, blanco (muy suave)	4.905-011.0	4.905-030.0	Para la limpieza de suelos poco sucios o delicados
Cepillo circular, natural (suave)	4.905-012.0	4.905-031.0	De fibras naturales para la limpieza por pulverización y el pulido
Cepillo circular, rojo (medio, estándar)	4.905-010.0	4.905-000.0	Para uso en todas las tareas de limpieza habituales
Cepillo circular, negro (duro)	4.905-013.0	4.905-032.0	Para suciedad incrustada y para limpieza a fondo, solo en superficies resistentes
Plato impulsor de cepillo de esponja	4.762-590.0	4.762-447.0	Para la limpieza con cepillos de esponja, con acoplamiento de acción rápida y Centerlock
Cepillo de esponja, blanco	–	6371-331,0	Para el pulido de suelos
Cepillo de esponja, rojo (medio suave)	6.369-003.0	6.371-147.0	Para la limpieza y la limpieza por pulverización de todos los suelos
Cepillo de esponja, verde (medio duro)	6.369-002.0	6.371-148.0	Para la limpieza de suelos muy sucios y la limpieza a fondo
Cepillo de esponja, negro (duro)	6.369-001.0	6.371-169.0	Para suciedad difícil de eliminar y la limpieza a fondo
Cepillo de esponja, marrón (SPP)	2.639-290.0	2.639-288.0	Para el saneamiento de la película de mantenimiento de superficies duras y elásticas

Accesorios de la variante BR

Denominación	BR 75/75 n.º ref.	BR 85/100 n.º ref.	Descripción
Cilindro de cepillos, blanco	6.907-771.0	6.907-772.0	Para el pulido y la limpieza de mantenimiento de suelos delicados.
Cilindro de cepillos, rojo	4.035-605.0	4.035-606.0	Para la limpieza de mantenimiento de suelos muy sucios.
Cilindro de cepillos, naranja	6.907-730.0	6.907-734.0	Para frotar suelos estructurales (baldosas de seguridad, etc.).
Cilindro de cepillos, verde	6.907-732.0	6.907-735.0	Para la limpieza básica de suelos muy sucios y para el decapado (por ejemplo, ceras, acrilatos)
Cilindro de cepillos, negro	6.907-732.0	6.907-736.0	
Eje de accionamiento del rodillo cilíndrico de esponja	4.762-627.0	4.762-628.0	Para el alojamiento de cepillos cilíndricos de esponja.
Rodillo de microfibra	4.114-007.0	4.114-008.0	Para la limpieza de mantenimiento de suelos lisos.

Accesorios de las variantes BD y BR

Denominación	BD 70/75 W Classic Bp NA N.º de referencia	BD 70/75 + BR 75/75 n.º ref.	BD 80/100 + BR 85/100 n.º ref.	Descripción
Labio trasero de aspiración, 950 mm, curvada	4.777-111.0	–	–	Para anchos de paso estrechos
Labio trasero de aspiración, 1030 mm, curvada	–	4.777-108.0	–	Estándar
Labio trasero de aspiración, 1160 mm, curvada	–	–	4.777-102.0	Estándar
Juego de labios de aspiración, caucho natural	4.037-174.0	4.037-144.0	4.037-138.0	Estándar
Juego de labios de aspiración, PU	4.037-173.0	4.037-145.0	4.037-140.0	Resistente al aceite
Juego de labios de aspiración, Linatex	4.037-175.0	4.181-011.0	4.181-006.0	A prueba de desgarros

Datos técnicos

		BD 70/75 W Classic Bp	BR 75/75 W Classic Bp	BD 80/100 W Classic Bp	BR 85/100 W Classic Bp
Datos de potencia del equipo					
Tensión nominal	V	24	24	24	24
Capacidad de la batería	Ah	115 / 170 / 180	170 / 180	170 / 180 / 240 / 285	170 / 180 / 240 / 285
Consumo medio de energía	W	1270	800	1320	1150
Potencia del motor	W	250	250	300	300
Potencia de la turbina de aspiración	W	500	500	500	500
Potencia del accionamiento de cepillos	W	2 x 500	2 x 600	2 x 500	2 x 750
Rendimiento teórico en superficie	ft ² /h (m ² /h)	37674.7 (3500)	40364.7 (3.750)	43000 (4000)	45746.6 (4.250)
Volumen del depósito de agua limpia	gal (l)	19.8 (75)	19.8 (75)	26.4 (100)	26.4 (100)
Volumen del depósito de agua sucia	gal (l)	19.8 (75)	19.8 (75)	26.4 (100)	26.4 (100)

		BD 70/75 W Classic Bp	BR 75/75 W Classic Bp	BD 80/100 W Classic Bp	BR 85/100 W Classic Bp
Temperatura del agua máx.	°F (°C)	122 (50)	122 (50)	122 (50)	122 (50)
Presión del agua máx.	psi (bar)	0.87 (0.06)	0.87 (0.06)	0.87 (0.06)	0.87 (0.06)
Anchura de giro de pasillo	in (mm)	61 (1550)	61 (1550)	65 (1650)	65 (1650)
Pendiente máx. de la zona de trabajo	%	2	2	2	2
Aspirar					
Potencia de aspiración, volumen de aire	CFM (l/s)	50.8 (24)	50.8 (24)	50.8 (24)	50.8 (24)
Potencia de aspiración, baja presión	psi (kPa)	2.3 (16)	2.3 (16)	2.3 (16)	2.3 (16)
Cepillos de limpieza					
Ancho útil	in (mm)	27.6 (700)	29.5 (750)	31.5 (800)	31.5 (800)33.5 (850)
Diámetro de cepillos	in (mm)	14 (356)	4.1 (105)	16.2 (410)	4.1 (105)
Velocidad de rotación de cepillos	1/min	140	1200	140	1200
Presión de aplicación de cepillos	lbf (N)	67.4 / 112.4 (300 / 500)	90 (400)	90 / 152.9 (400 / 680)	89.9 (400)
Peso y dimensiones					
Peso total admisible	lbs (kg)	959 (435)	727.5 (330)	959 (435)	970 (440)
Tara (peso para el transporte)	lbs (kg)	716 (325)	496 (225)	716 (325)	749.6 (340)
Dimensiones del compartimiento de baterías	in (mm)	24.5 x 15.1 (622 x 384)	22.6 x 15 (575 x 380)	24.5 x 15.1 (622 x 384)	24.5 x 15.1 (622 x 384)
Valores calculados conforme a EN 60335-2-72					
Nivel de vibraciones total	m/s ²	<2,5	<2,5	<2,5	<2,5
Inseguridad K	dB(A)	0.2	0.2	0.2	0.2
Nivel de presión acústica L _{pA}	dB(A)	65	65	65	65
Inseguridad K _{pA}	dB(A)	2	2	2	2
Intensidad acústica L _{WA} + Inseguridad K _{WA}	dB(A)	81	81	81	81

Reservado el derecho de realizar modificaciones técnicas.

Contenu

CONSIGNES DE SÉCURITÉ IMPORTANTES	26
REGLES DE SECURITE ET PRATIQUES RELATIVES A L'UTILISATION	27
PROCEDURES D'ENTRETIEN ET DE REMISE EN ETAT	28
NORMES DE SECURITE INCENDIE.....	28
Remarques générales.....	28
Fonction	28
Utilisation conforme	28
Protection de l'environnement	28
Garantie	28
Accessoires et pièces de rechange	28
Étendue de livraison	28
Consignes de sécurité	28
Description de l'appareil.....	29
Montage.....	30
Mise en service	31
Fonctionnement	31
Transport.....	33
Stockage.....	33
Entretien et maintenance	33
Aide en cas de défauts	34
Accessoires variante BD.....	35
Accessoires variante BR.....	35
Accessoires variantes BD et BR.....	36
Caractéristiques techniques.....	36

CONSIGNES DE SÉCURITÉ IMPORTANTES

LIRE TOUTES LES INSTRUCTIONS AVANT D'UTILISER CET APPAREIL

△ AVERTISSEMENT

Pour réduire les risques d'incendie, de choc électrique ou de blessures :

NE PAS LAISSER l'appareil sans surveillance lorsqu'il est branché. Débrancher la fiche de la prise en cas de non utilisation et d'entretien.

△ AVERTISSEMENT

POUR RÉDUIRE LE RISQUE DE CHOC ÉLECTRIQUE - UTILISATION EN INTÉRIEUR UNIQUEMENT

- N'autorisez pas que l'appareil serve de jouet. Lors de l'utilisation de l'appareil par des enfants ou à proximité d'enfants, la plus grande attention est requise.
- Utilisation uniquement comme cela est décrit dans ce manuel. Utiliser uniquement les accessoires recommandés par le fabricant.
- Ne pas utiliser avec un câble ou une prise endommagés. Si l'unité ne fonctionne pas comme elle le devrait, si elle est tombée, est endommagée, a été laissée dehors ou est tombée dans l'eau, la renvoyer à un centre de SAV.
- Ne pas tirer ou porter l'appareil avec le câble, ne pas utiliser de câble comme poignée, ne pas fermer une porte sur le câble ou faire passer le câble au niveau de coins ou d'angles coupants. Ne faire passer aucun appareil sur le câble. Maintenir le câble à distance des surfaces chaudes.
- **NE PAS DEBRANCHER LA FICHE SECTEUR DE LA PRISE DE COURANT EN TIRANT SUR LE CÂBLE DE BRANCHEMENT AU SECTEUR.** Pour débrancher le secteur, tirer sur la fiche secteur, pas sur le câble de branchement au secteur.
- Ne pas brancher la fiche ou l'appareil avec des mains humides.
- N'introduisez pas d'objet dans les ouvertures. N'utilisez pas l'appareil lorsque les ouvertures sont colmatées. Veillez à les

garder exempts de poussière, cheveux, peluches ainsi que de tout ce qui serait susceptible d'entraver le flux d'air.

- Maintenir les CHEVEUX, VETEMENTS, BIJOUX PENDANTS, DOIGTS et tous les membres du corps éloignés des ouvertures et des pièces mobiles.
- Eteindre toutes les commandes avant de débrancher.
- Soyez particulièrement prudents lors du nettoyage dans les escaliers.
- N'utilisez pas l'appareil pour aspirer des liquides inflammables ou combustibles, par exemple de l'essence, et ne placez pas l'appareil dans des endroits dans lesquels de tels liquides pourraient se trouver.
- Raccordement uniquement à une prise mise à la terre correctement. Voir Instructions de mise à la terre.
- Débrancher toujours le câble de la prise électrique avant d'entretenir l'appareil.
- Ne jamais balayer des liquides explosifs, des gaz combustibles ou des acides et des solvants non dilués. Cela comprend l'essence, les diluants de peinture ou le fuel domestique qui peuvent générer des fumées ou des mélanges explosifs au contact de l'air. L'acétone, les acides non dilués et les solvants doivent également être évités car ils peuvent abîmer les matériaux sur la machine.
- Ne pas aspirer des objets qui brûlent ou se consomment.

INSTRUCTIONS DE MISE À LA TERRE

Cet appareil doit être mis à la terre. En cas de dysfonctionnement ou de panne, la mise à la terre fournit un chemin de moindre résistance pour le courant électrique afin de réduire le risque de choc électrique.

Cet appareil est équipé d'un câble disposant d'un connecteur de mise à la terre de l'équipement et d'une fiche de terre.

La fiche doit être branchée dans une prise appropriée installée correctement et mise à la terre conformément à toutes les normes et ordonnances locales.

⚠ DANGER

Tout raccordement inapproprié du conducteur de mise à la terre de l'équipement peut entraîner un risque d'électrocution.

En cas de doute concernant la mise à la terre correcte d'une prise de courant, faire appel à un électricien qualifié ou au personnel de service.

Ne pas modifier la fiche fournie avec le produit - si elle ne correspond pas à la prise de courant, faire installer une prise de courant appropriée par un électricien qualifié.

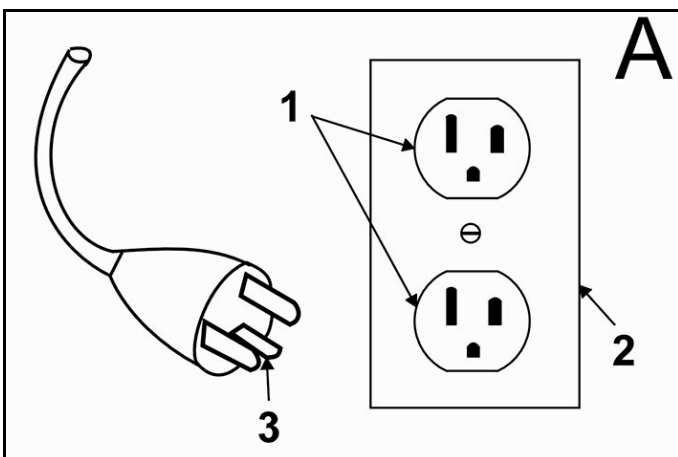
Ne pas utiliser d'adaptateur avec ce produit.

Cet appareil est prévu pour être utilisé sur un circuit 120 V nom. et dispose d'une fiche de branchement de terre qui ressemble à la fiche illustrée sur la figure A.

Vérifier que l'appareil est raccordé à une prise de courant ayant la même configuration que la fiche.

Aucun adaptateur ne doit être utilisé avec cet appareil.

RACCORDER UNIQUEMENT À UNE PRISE MISE À LA TERRE CORRECTEMENT



- ① Prise de terre
- ② Boîtier prise de terre
- ③ Broche à la masse

REGLES DE SECURITE ET PRATIQUES RELATIVES A L'UTILISATION

Responsabilité du propriétaire/de l'utilisateur

Avant d'utiliser ce nettoyeur pression, le propriétaire et/ou l'utilisateur doit impérativement avoir pris connaissance des consignes d'utilisation et mises en garde du fabricant. Il est nécessaire d'insister sur les avertissements et de les comprendre.

Si l'utilisateur ne parle pas couramment l'anglais, l'acheteur/le propriétaire doit lire les consignes et mises en garde du fabricant l'utilisateur dans la langue maternelle de ce dernier et s'assurer qu'il en comprend bien le contenu.

Le propriétaire et/ou l'utilisateur doit se familiariser avec les consignes du fabricant et les conserver afin de pouvoir s'y référer ultérieurement.

Généralités

Avant de commencer à faire fonctionner l'unité, soyez dans une position d'opération.

Ne pas démarrer ou utiliser l'appareil, ni aucune de ses fonctions ou accessoires, à partir d'un autre endroit que celui réservé à l'utilisateur.

Avant de quitter le poste de l'utilisateur :

- 1 arrêter l'appareil ;
- 2 si l'appareil doit stationner sur une pente, caler les roues.

Conservé une distance de sécurité avec les bords des rampes, des plates-formes et de toutes les autres surfaces de travail du même type.

Ne pas ajouter d'accessoires à l'appareil ni le modifier de quelque manière que ce soit.

Ne pas stationner à un endroit où l'appareil risque d'entraver les issues de secours, les cages d'escaliers ou les équipements de lutte contre l'incendie.

Conduite

Céder la priorité aux piétons ainsi qu'aux véhicules d'urgence comme les ambulances et les camions de pompiers.

Traverser les voies ferrées à angle droit lorsque c'est possible. Ne pas garer l'appareil à moins de 1,8 m de la voie ferrée ou du rail le plus proche.

Veiller à conserver une vue bien dégagée du trajet à emprunter et être attentif à la circulation des autres véhicules, aux déplacements des membres du personnel, ainsi qu'aux espaces de dégagement.

Quelles que soient les conditions de circulation, conserver une vitesse permettant d'arrêter l'appareil en toute sécurité.

Ne jamais adopter de conduite dangereuse (cascades, acrobaties etc.)

Ralentir sur les sols mouillés et glissants. Avant de déplacer l'appareil sur un pont de chargement ou un pont de liaison, s'assurer que celui-ci est correctement sécurisé. Avancer prudemment et lentement sur le pont de chargement ou pont de liaison. Ne jamais dépasser la charge maximale autorisée.

Dans les virages, ralentir et adopter une vitesse de sécurité adaptée à l'environnement d'utilisation. Les virages doivent être abordés sans à-coups.

Entretien de l'appareil par l'utilisateur

Si le véhicule a besoin d'être réparé ou présente un risque quelconque, l'utilisateur doit le signaler immédiatement à son responsable et ne pas utiliser l'appareil avant résolution du problème.

Si, en cours d'utilisation, le véhicule s'avère dangereux de quelque façon que ce soit, signaler immédiatement le problème au responsable concerné et cesser l'utilisation de l'appareil avant résolution du problème.

Ne pas effectuer de réparations ou réglages à moins d'y être expressément autorisé.

PROCEDURES D'ENTRETIEN ET DE REMISE EN ETAT

L'utilisation de l'appareil peut devenir dangereuse si l'entretien est négligé ou si la remise en état ou les réglages nécessaires ne sont pas effectués en conformité avec les recommandations du fabricant. Par conséquent, il est nécessaire de prévoir des ateliers de maintenance, à l'intérieur ou l'extérieur des bâtiments, avec du personnel dûment formé, ainsi que d'établir des procédures détaillées.

La maintenance et l'inspection de l'appareil doivent être effectuées conformément aux procédures suivantes :

- 1 Les intervalles prescrits pour la maintenance, la lubrification et le contrôle du système doivent être respectés; se reporter aux instructions du fabricant.
- 2 Seules les personnes formées et habilitées sont autorisées à utiliser les autolaveuses motorisées. Les utilisateurs de ces appareils doivent avoir les aptitudes visuelles et auditives ainsi que les capacités physiques et mentales requises pour utiliser cet équipement en toute sécurité.

Eviter les risques d'incendie et s'assurer que les locaux sont dotés des équipements nécessaires pour la lutte contre l'incendie. Ne jamais utiliser de bacs ouverts contenant du carburant ou des produits de nettoyage inflammables pour nettoyer les composants de l'autolaveuse motorisée.

NORMES DE SECURITE INCENDIE

Tout appareil dont le fonctionnement représente un risque doit être mis hors service.

Les réparations ne doivent pas être effectuées dans les zones de classe I, II et III.

Prévention des incendies : L'autolaveuse motorisée doit être tenue propre et dans la mesure du possible, protégée des peluches, des déversements d'huile et de la graisse.

L'utilisation de produits non inflammables est recommandée pour le nettoyage de l'autolaveuse motorisée. Les liquides inflammables dont le point d'ignition est égal ou supérieur à 37,8 °C (100 °F) ne sont pas autorisés. Prendre les mesures appropriées concernant la toxicité, l'aération, et les risques d'incendie selon le produit ou solvant utilisé.

Visibilité de la plaque signalétique : Les données techniques figurant sur la plaque signalétique de l'appareil ne doivent pas être recouvertes de peinture et les informations d'identification doivent rester visibles.

Remarques générales



Veillez lire le présent le manuel d'instructions original et les consignes de sécurité jointes avant la première utilisation de l'appareil. Suivez ces instructions.

Conservez les deux manuels pour une utilisation ultérieure ou pour le propriétaire suivant.

Fonction

Cette autolaveuse est utilisée pour le nettoyage à l'eau de sols plats.

L'appareil peut être adapté à chaque de tâche de nettoyage en réglant la quantité d'eau et de détergent. Le dosage du détergent est adapté par ajout dans le réservoir.

La largeur de travail et la capacité des réservoirs d'eau douce et du bac d'eau sale (voir chapitre « *Caractéristiques techniques* ») permettent un nettoyage efficace avec une longue durée d'utilisation.

L'appareil est équipé d'un entraînement de traction.

Remarque

L'appareil peut être équipé de différents accessoires en fonction des tâches de nettoyage souhaitées. Demandez notre catalogue ou visitez notre site internet www.kaercher.com.

Utilisation conforme

Cet appareil est conçu pour une utilisation professionnelle et industriels, p. ex. dans les hôtels, les écoles, les hôpitaux, les

usines, les bureaux et les magasins de loueurs. Utilisez cet appareil uniquement suivant les indications dans cette notice d'utilisation.

- Utiliser l'appareil uniquement pour le nettoyage de sols plats résistants à l'humidité et au polissage.
- L'appareil n'est pas adapté au nettoyage de sols gelés (p.ex. dans les chambres froides).
- L'appareil n'est pas adapté à une utilisation dans des environnements à risque d'explosion.
- L'appareil est autorisé pour un fonctionnement sur des surfaces d'une inclinaison maximale (voir le chapitre *Caractéristiques techniques*).

Protection de l'environnement



Les matériaux d'emballage sont recyclables. Veuillez éliminer les emballages dans le respect de l'environnement.



Les appareils électriques et électroniques contiennent des matériaux précieux recyclables et souvent des composants tels que des piles, batteries ou de l'huile représentant un danger potentiel pour la santé humaine et l'environnement, s'ils ne sont pas manipulés ou éliminés correctement. Ces composants sont cependant nécessaires pour le fonctionnement correct de l'appareil. Les appareils marqués par ce symbole ne doivent pas être jetés dans les ordures ménagères.

Remarques concernant les matières composantes (REACH)

Les informations actuelles concernant les matières composantes sont disponibles sous : www.kaercher.com/REACH

Garantie

Les conditions de garantie publiées par notre société commerciale compétente s'appliquent dans chaque pays. Nous remédions gratuitement aux défauts possibles sur votre appareil dans la durée de garantie dans la mesure où la cause du défaut est un vice de matériau ou de fabrication. En cas de garantie, veuillez vous adresser à votre distributeur ou au point de service après-vente autorisé le plus proche avec la facture d'achat. (Voir l'adresse au dos)

Accessoires et pièces de rechange

Utiliser exclusivement des accessoires et pièces de rechange originaux. Ceux-ci garantissent le fonctionnement sûr et sans défaut de votre appareil.

Des informations sur les accessoires et pièces de rechange sont disponibles sur le site Internet www.kaercher.com.

Étendue de livraison

Lors du déballage, vérifiez que le contenu de la livraison est complet. Si des accessoires manquent ou en cas de dommage dû au transport, veuillez informer votre distributeur.

Consignes de sécurité

Avant la première utilisation de l'appareil, veuillez lire et observer cette notice d'utilisation la brochure de consignes de sécurité fournie pour les appareils de nettoyage à brosses et les appareils d'injection-extraction, n° 5.956-251.0 et agir en conséquence.

L'appareil est autorisé pour un fonctionnement sur des surfaces d'une inclinaison limitée (voir le chapitre *Caractéristiques techniques*).

⚠ AVERTISSEMENT

Risque de blessures !

L'appareil peut basculer sur des surfaces inclinées.

N'utilisez pas l'appareil sur des surfaces inclinées.

Utilisez l'appareil uniquement si le capot et tous les couvercles sont fermés.

Dispositifs de sécurité

⚠ PRÉCAUTION

Dispositifs de sécurité manquants ou modifiés !

Les dispositifs de sécurité servent à vous protéger.

Ne pas contourner, enlever ou rendre inopérants les dispositifs de sécurité

Interrupteur de sécurité

Lorsque vous relâchez l'interrupteur de sécurité, l'appareil s'éteint.

Interrupteur à clé

Si vous retirez l'interrupteur à clé, l'appareil est protégé contre toute utilisation non autorisée.

Symboles d'avertissements

Respecter les avertissements suivants lors de la manipulation de batteries :

	Observer les remarques dans le manuel d'utilisation de la batterie et sur la batterie ainsi que dans ce manuel d'utilisation.
	Porter une protection oculaire.
	Tenir les enfants éloignés d'acides et de batteries.
	Risque d'explosion
	Le feu, les étincelles, les flammes nues et fumer sont interdits.
	Risque de brûlure chimique
	Premiers secours.
	Avertissement
	Élimination
	Ne pas jeter la batterie à la poubelle.

Description de l'appareil

Aperçu de la face avant

- ① Guidon
- ② Interrupteur de sécurité
- ③ Couvercle du bac d'eau sale
- ④ Rail de retenue pour la station d'accueil
- ⑤ Bac d'eau sale
- ⑥ ** Batterie
- ⑦ Filtre d'eau propre
- ⑧ Fermeture du réservoir d'eau propre
- ⑨ Pédale pour le changement de brosse
- ⑩ Disque brosse
- ⑪ Réservoir d'eau propre
- ⑫ Porte-flexible
- ⑬ Ouverture de remplissage du réservoir d'eau propre

** Non inclus dans l'étendue de livraison

Aperçu de l'arrière

- ① Flexible de vidange d'eau sale avec dispositif de dosage
- ② Tête de nettoyage
- ③ Pédale pour le changement de brosse
- ④ Tuyau d'aspiration
- ⑤ Réglage de l'inclinaison de la barre d'aspiration
- ⑥ Écrou papillon pour la fixation de la barre d'aspiration
- ⑦ Réglage en hauteur de la barre d'aspiration
- ⑧ Barre d'aspiration
- ⑨ Indicateur du niveau de remplissage en eau propre
Flexible de vidange de l'eau propre
- ⑩ Levier de la tête de nettoyage
- ⑪ Bouton de réglage de la quantité d'eau
- ⑫ Levier de la barre d'aspiration
- ⑬ Fiche de la batterie
- ⑭ Interrupteur à clé
- ⑮ Écran
- ⑯ Molette de réglage de la vitesse de travail
- ⑰ Interrupteur du sens de la marche

Aperçu de la tête R

Illustration D

- ① Tête R
- ② Roulette déflectrice
- ③ Barrette de distribution d'eau
- ④ Jupe latérale
- ⑤ Tiroir de balayage

Aperçu du réservoir d'eau sale

Illustration E

- ① Filtre à impuretés grossières
- ② Filtre anti-peluches
- ③ Flotteur

Plaque signalétique



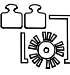



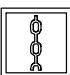
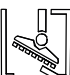
Illustration C


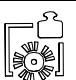
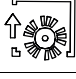
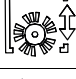

- ① Plaque signalétique

Code couleur

- Les éléments de commande pour le processus de nettoyage sont jaunes.
- Les éléments de commande pour la maintenance et le service sont gris clair.

Symboles sur l'appareil

	Ouverture de vidange du réservoir d'eau propre
	Ouverture de vidange du bac d'eau sale
	Pression d'appui augmentée de la tête de nettoyage
	Accès à la batterie
	Niveau de remplissage du réservoir d'eau propre (50%)
	Brancher ici la fiche du chargeur
	Point d'arrimage
	* Support du balai laveur

	ATTENTION Mauvais emplacement <i>Risque d'endommagement</i> NE PAS brancher la fiche du chargeur ici
	Pression d'appui normale de la tête de nettoyage
	Tête de nettoyage levée
	Pédale lever / baisser la tête de nettoyage
	Pédale de changement de brosse

* en option

Montage

Déchargement

1. Retirer le carton.
2. Retirer les bandes de serrage.
3. Dévisser les cales de bois fixées à l'aide de vis sur la palette.
4. Avec les 3 planches de rigidité supérieures de l'emballage en carton et la planche de sûreté vissée à la transversale sur la palette, poser une rampe devant la palette et la fixer à l'aide de vis pour contreplaqué.

Illustration F

Illustration G

- ① Planche fusible
- ② Bois
- ③ Planche de rigidité
5. Pousser le bois équerri dévissé de la palette sous la rampe, pour supporter, et le visser.
6. Baisser à la main le levier de la tête de nettoyage et l'enclencher à droite.
7. **Uniquement pour BD 80/100 et BR 85/100** : Appuyer le levier du frein vers le bas.

Illustration H

- ① Levier du frein

Remarque

Sur le BD 70/75 et le BR 75/75, il n'y a pas de frein. Le desserrage du frein n'est pas nécessaire avec cet appareil.

8. Retirer l'appareil en marche arrière de la palette.
9. **Uniquement pour BD 80/100 et BR 85/100** : Appuyer le levier du frein vers le haut.

Monter la barre d'aspiration

1. Accrocher la barre d'aspiration dans la suspension pour la barre d'aspiration.

Illustration J

2. Serrer les écrous papillon.
3. Brancher le tuyau d'aspiration.

Batteries

Jeux de batteries recommandés BD 70/75 et BR 75/75

Description	Référence	Volume (m ³)*	Flux d'air (m ³ /h)**
Uniquement BD 70/75 W 115 Ah - aucun entretien	2.815-091.0 ¹⁾	1,98	0,792
170 Ah - aucun entretien	2.815-092.0 ²⁾	2,31	0,924
180 Ah - aucun entretien	2.815-101.0 ³⁾	4,785	1,914

* Volume minimal de la pièce de chargement des batteries
** Flux d'air minimal entre la pièce de chargement des batteries et l'environnement

Lors de la première installation, un kit d'installation de batterie supplémentaire est requis:

- 1 2638-198,0
- 2 2638-162,0
- 3 2638-106,0

Jeux de batteries recommandés BD 80/100 et BR 85/100

Description	Référence	Volume (m ³)*	Flux d'air (m ³ /h)**
170 Ah - aucun entretien	2.815-092.0 ¹⁾	2,31	0,924
180 Ah - aucun entretien	2.815-101.0 ²⁾	4,785	1,914
240 Ah - aucun entretien	2.815-102.0 ²⁾	6,27	2,508
285 Ah - aucun entretien	2.815-095.0 ³⁾	11,88	4,752

* Volume minimal de la pièce de chargement des batteries

** Flux d'air minimal entre la pièce de chargement des batteries et l'environnement

Lors de la première installation, un kit d'installation de batterie supplémentaire est requis:

- 1 2638-162,0
- 2 2638-106,0
- 3 2638-197,0

Batteries sans maintenance (batteries à éléments humides)

⚠ DANGER

Risque de brûlure par acide !

Ne remplir la batterie d'eau que lorsqu'elle est déchargée.

Utiliser des lunettes de protection lors de la manipulation de l'acide de batterie et rincer immédiatement à l'eau les éventuelles projections d'acide sur la peau ou les vêtements.

ATTENTION

Risque d'endommager les batteries !

L'utilisation d'eau avec des additifs entraîne la perte de la garantie de la batterie.

Pour remplir les batteries, utilisez uniquement de l'eau distillée ou de l'eau déminéralisée (EN 50272-T3).

Ne pas utiliser d'additifs étrangers ou d'agents améliorants.

1. Ajouter de l'eau distillée une heure avant la fin du processus de charge. Ce faisant, observer le niveau d'acide sur le repère de la batterie.

Toutes les cellules doivent expulser du gaz à la fin du processus de charge.

Batteries sans entretien (batteries AGM et gel)

ATTENTION

Risque d'endommagement des batteries AGM et gel !

L'ouverture ou le perçage du logement de la batterie endommagera une batterie AGM ou gel qui doit alors être remplacée.

Ne pas ouvrir pas le logement de la batterie et ne percer aucun trou.

Ne pas couvrir ni modifier la soupape de surpression.

1. Charger les batteries AGM et gel uniquement avec les chargeurs spécifiés, voir le chapitre: *Chargement de la batterie.*

Insérer et raccorder les batteries

⚠ AVERTISSEMENT

Risque de blessure dû au renversement de l'appareil !

L'appareil peut se renverser lors du retrait et de l'installation des batteries.

Attention à la bonne stabilité de l'appareil lors du démontage et du montage des batteries.

ATTENTION

Risque d'endommager l'électronique de commande !

L'électronique de commande peut être détruite en inversant la polarité des connexions de la batterie.

Respectez la polarité lorsque vous raccordez la batterie.

⚠ AVERTISSEMENT

Danger de mort par incendie ou explosion si les batteries sont en décharge profonde !

Un incendie peut se produire en cas de recharge incorrecte de batteries en décharge profonde.

Ne pas utiliser l'appareil si la batterie est en décharge profonde. Avant de mettre le système en service, s'assurer que la batterie est chargée.

1. Vidanger l'eau sale.
2. Pivoter le bac d'eau sale vers le haut.
3. Placer les batteries dans l'appareil comme illustré.

Important : Pousser les batteries tout au fond !

BD 80/100 et BR 85/100

Illustration K

- 170 Ah, 2.815-092.0
- 180 Ah, 2.815-101.0
- 240 Ah, 2.815-105.0
- 285 Ah, 2.815-095.0

- ① Entretoises

Illustration L

BD 70/75 et BR 75/75

- 115 Ah, 2.815-091.0
- 170 Ah, 2.815-092.0
- 180 Ah, 2.815-101.0

- ① Entretoises
- ② Support de batterie
- ③ Poids supplémentaires

4. Placer une entretoise entre les batteries à droite et le réservoir d'eau propre,
 - a **sur jeu de batteries 115 Ah:** 1 pièce dans le sens de la longueur à plat.
 - b **sur jeu de batteries autre que 115 Ah:** 2 pièces dans le sens de la longueur les unes sur les autres.
5. **Sur BD 70/75 avec jeu de batterie 115 Ah:** Insérer les 4 poids supplémentaires.
6. Poser le support de batterie, pour ce faire
 - a **sur BD 70/75:** Installer les 2 supports de batterie et **sur 115 Ah :** Visser sur les trous filetés à gauche et au centre. **Sur BR 75/75 et BD 70/75 : 170 Ah / 180 Ah :** Visser sur les trous filetés à droite et au centre.
 - b **sur BD 80/100 dans BR 85/100 :** Placer une ou deux entretoises dans le sens de la longueur, à plat ou verticalement entre les batteries avant et le réservoir d'eau propre afin que les batteries ne puissent pas glisser vers l'avant.
7. Connecter les pôles aux câbles de connexion du kit d'installation de la batterie.
8. Brancher le câble de raccordement aux pôles encore libres de la batterie (+) et (-).
9. Raccorder la fiche de la batterie côté appareil à la fiche de la batterie côté batterie.
10. Faire pivoter le bac d'eau sale vers le bas.

Démontage des batteries

⚠ AVERTISSEMENT

Risque de blessure dû au renversement de l'appareil !

L'appareil peut se renverser lors du retrait et de l'installation des batteries.

Attention à la bonne stabilité de l'appareil lors du démontage et du montage des batteries.

1. Mettre l'interrupteur à clé à « 0 » et retirer la clé.
2. Débrancher le connecteur de batterie.
3. Vidanger l'eau sale.
4. Pivoter le bac d'eau sale vers le haut.

5. Débrancher le câble du pôle moins de la batterie, côté appareil.
6. Débrancher les autres câbles des batteries.
7. **Sur BD 80/100:** Retirer l'entretoise ou les entretoises entre les batteries avant et le réservoir d'eau propre.
8. **Sur jeu de batteries 115 Ah:** Retirer les poids supplémentaires.
9. Sortir les batteries.
10. Éliminer les batteries usagées conformément aux directives en vigueur.

Mise en service

Chargement de la batterie

⚠ DANGER

Risque de blessure par le chargeur !

Choc électrique dû à une utilisation non conforme du chargeur ! Respectez la tension du secteur et le fusible sur la plaque signalétique de l'appareil.

N'utiliser le chargeur que dans les pièces sèches et suffisamment aérées.

ATTENTION

Risque d'explosion dû à la batterie !

Pendant le processus de chargement, des gaz s'accumulent sous le réservoir.

Avant de charger les batteries sans maintenance, pivotez le bac d'eau sale vers le haut.

ATTENTION

Risque d'endommagement dû à un chargeur inadapté !

Ne raccordez pas le chargeur à la fiche de la batterie côté appareil.

Utilisez uniquement un chargeur adapté au type de batterie installée.

Veillez lire la notice d'utilisation du fabricant du chargeur et respecter, en particulier, les consignes de sécurité.

Jeu de batteries	Capacité	Chargeur
2815-091,0	115 Ah	6654-367,0
2815-092,0	170 Ah	6654-436,0
2815-101,0	180 Ah	6654-434,0
2815-105,0	240 Ah	6654-437,0
2815-095,0	285 Ah	6654-419,0

La durée de charge est d'env. 10-15 heures.

Ne pas utiliser l'appareil pendant le processus de charge.

Remarque

L'appareil dispose d'une protection contre la décharge complète, c'est à dire que lorsque la valeur minimale autorisée de capacité est atteinte, le moteur de brosse et la turbine sont éteints.

1. Déplacer l'appareil directement jusqu'au chargeur en évitant les pentes.
2. Retirer la fiche de la batterie côté appareil.

Illustration I

- ① Fiche de la batterie, côté appareil
- ② Fiche de la batterie, côté batterie
3. Raccorder la fiche de la batterie côté batterie au chargeur.
4. Brancher la fiche secteur du chargeur dans la prise de courant.
5. Exécuter le processus de charge suivant les instructions dans la notice d'utilisation du chargeur.
6. Raccorder la fiche de la batterie côté appareil à la fiche de la batterie côté batterie.

Fonctionnement

ATTENTION

Situation à risque pendant le fonctionnement

Risque de blessures

Relâcher l'interrupteur de sécurité en cas de danger.

Remplissage en fluides de fonctionnement

Remplissage en eau propre

1. Ouvrir la fermeture du réservoir d'eau propre.
2. Remplir en eau du robinet (122 °F (50 °C maximum) jusqu'au bord inférieur de la tubulure de remplissage.
Remarque : Le flexible d'eau propre peut être coincé avec le porte-flexible pendant le remplissage.
3. Fermer la fermeture du réservoir d'eau propre.

Consignes pour les détergents

⚠ **AVERTISSEMENT**

Risque d'endommager l'appareil !

L'utilisation de produits de nettoyage inappropriés peut endommager l'appareil.

Utilisez uniquement les détergents recommandés. En cas d'utilisation d'autres détergents, l'utilisateur est responsable du risque élevé envers la sécurité de fonctionnement et le risque d'accident.

Utilisez uniquement des détergents sans solvant, sans acide chlorhydrique ni acide fluorhydrique.

Respectez les consignes de sécurité sur les détergents.

Remarque

N'utilisez pas de détergents fortement moussants.

Détergents recommandés

Utilisation	Détergents
Nettoyant d'entretien des sols extra peu moussant avec Ecolabel européen	CA 50 C
Nettoyant universel à haut pouvoir mouillant	RM 756
Nettoyant intensif à base d'alcool pour les sols et les surfaces. Convient bien aux roches dures comme le granit	RM 755
Nettoyant pour grès cérame fin, sans tensioactif	RM 753
Décapant universel, convient au linoléum	RM 754
Nettoyant de base acide pour automates. Convient pour les sanitaires et les nettoyages de fin de chantier	RM 751
Nettoyant d'entretien industriel	RM 69
Nettoyant industriel de base et décapant alcalin	RM 752
Nettoyant désinfectant pour surfaces	RM 732

Détergents

1. Verser le détergent dans le réservoir d'eau propre.
Remarque : Vous pouvez utiliser le couvercle de l'ouverture de remplissage du réservoir d'eau propre pour doser le détergent. Il est équipé d'une échelle à l'intérieur.

Régler la quantité d'eau

1. Régler la quantité d'eau sur la molette de réglage en fonction de l'encrassement du revêtement de sol.

Remarque

Réaliser les premiers essais de nettoyage avec une faible quantité d'eau. Augmenter petit à petit la quantité d'eau jusqu'à l'obtention du résultat de nettoyage souhaité.

Remarque

Lorsque le réservoir d'eau propre est vide, la tête de nettoyage continue à fonctionner sans apport en liquide.

Régler la barre d'aspiration

Régler l'inclinaison

régler l'inclinaison de manière à ce que les lèvres d'aspiration de la barre d'aspiration soient appuyées régulièrement sur le sol, sur toute leur longueur.

1. Desserrer la vis.

Illustration N

- ① Vis
2. Régler l'inclinaison de la barre d'aspiration.
3. Serrer la vis.

Réglage de la hauteur

Le réglage de la hauteur adapte le pli des lèvres d'aspiration lors du contact avec le sol.

1. Pousser l'appareil légèrement vers l'avant.
2. Comparer le pli des lèvres d'aspiration au schéma ci-dessus.

Illustration O

- ① Rouleau d'écartement avec support
- ② Rondelle
- ③ Vis
3. Desserrer la vis.
4. Placer autant de rondelles entre la barre d'aspiration et le rouleau d'écartement pour obtenir le pli de la lèvre d'aspiration souhaité.
5. Placer les autres rondelles au-dessus du rouleau d'écartement.
6. Insérer et serrer la vis.
7. Répéter la procédure sur le deuxième rouleau d'écartement.
8. Pousser l'appareil légèrement vers l'avant.
9. Contrôler de nouveau le pli des lèvres d'aspiration sur toute leur longueur.
10. Répéter le réglage si besoin.

Nettoyer

Démarrer l'appareil

1. Mettre l'interrupteur à clé sur « 1 ».
L'écran affiche successivement :
 - La durée avant le prochain service après-vente
 - La version du logiciel, l'élément de commande
 - L'état de charge de la batterie et le nombre d'heures de service

Conduite

Remarque

Vous pouvez modifier le sens de la marche pendant le nettoyage. En avançant et en reculant plusieurs fois, il est alors possible de nettoyer intensément l'emplacement choisi.

1. Mettre l'interrupteur du sens de la marche sur « avance ».

Remarque

Pour réduire la largeur du véhicule, le suceur peut être monté sur le support de transport. Ainsi, les goulots d'étranglement peuvent être facilement traversés.

Nettoyer

Remarque

Pour améliorer le résultat de l'aspiration, vous pouvez régler l'inclinaison et la hauteur de la barre d'aspiration (voir le chapitre Régler la barre d'aspiration).

Remarque

Dès que le bac d'eau sale est plein, le flotteur ferme l'ouverture d'aspiration et la vitesse de rotation de la turbine augmente. Dans ce cas, soulever la barre d'aspiration et la déplacer pour vider le bac d'eau sale.

1. Tourner la molette de réglage de la vitesse de travail sur la valeur souhaitée.
La vitesse est indiquée à l'écran pendant le réglage. L'affichage est représenté en pour-cent de la vitesse maximum.
2. Régler la quantité d'eau sur la vanne de régulation.
3. Appuyer le levier de la barre d'aspiration vers le bas.
La barre d'aspiration s'abaisse.
L'aspiration débute.
4. Appuyer le levier de la tête de nettoyage vers le bas, le déclencher et le laisser remonter.
5. Tirer l'interrupteur de sécurité vers le guidon.
La tête de nettoyage démarre et l'appareil se déplace à la vitesse réglée.

Augmenter la pression des brosses (variante BD uniquement)

1. Relâcher l'interrupteur de sécurité.
2. Lever à la main le levier de la tête de nettoyage et l'enclencher à droite.

Terminer l'utilisation

Terminer le nettoyage

1. Relâcher l'interrupteur de sécurité.
2. Baisser à la main le levier de la tête de nettoyage et l'enclencher à droite.
3. Réaliser encore un petit déplacement.
L'eau résiduelle est aspirée.
4. Lever la barre d'aspiration.
L'aspiration continue encore pendant 10 secondes.
5. Mettre l'interrupteur à clé sur « 0 ».
6. Charger la batterie le cas échéant.

Vidange de l'eau sale

⚠ **AVERTISSEMENT**

Pollution !

Pollution de l'environnement par l'élimination inappropriée dans les eaux usées.

Respectez les prescriptions locales de traitement des eaux usées.

1. Sortir le flexible de vidange du support et l'abaisser au-dessus d'un bac de collecte adapté.

Illustration P

2. Presser ou plier le dispositif de dosage.
3. Ouvrir le couvercle du dispositif de dosage.
4. Vidanger l'eau sale. Réguler la quantité d'eau en pressant ou en pliant.
5. Rincer le bac d'eau sale à l'eau claire.

Vidanger l'eau propre

1. Retirer le flexible de l'indicateur de niveau de remplissage et le pivoter vers le bas.

Vidanger rapidement l'eau propre

1. Dévisser la fermeture du réservoir d'eau propre.
2. Laisser l'eau propre s'écouler.
3. Poser et visser la fermeture du réservoir d'eau propre.

Remarque : Veiller à ce que le raccord de flexible dans la fermeture du réservoir d'eau propre soit placé au point le plus bas après le vissage.

Transport

⚠ **DANGER**

Conduite en pente

Risque de blessures

Utilisez l'appareil pour le chargement et le déchargement uniquement sur des pentes d'une valeur maximale de (voir le chapitre "Caractéristiques techniques").

Conduisez lentement.

⚠ **PRÉCAUTION**

Non-observation du poids

Risque de blessure et d'endommagement

Observer le poids de l'appareil pour le transport.

Chargez l'appareil uniquement avec l'aide d'une autre personne ou en utilisant la commande de traction.

1. Baisser à la main le levier de la tête de nettoyage et l'enclencher à droite.
2. Soulever la barre d'aspiration.
3. Mettre l'interrupteur à clé sur « 1 ».
4. Sélectionner le sens de la marche sur l'interrupteur du sens de la marche.
5. Tirer l'interrupteur de sécurité vers le guidon.
6. En cas de transport de l'appareil dans des véhicules, le bloquer contre le glissement et le basculement suivant les normes en vigueur.

Illustration Q

7. Poser d'abord la sangle de serrage sous le bac d'eau sale.

Stockage

⚠ **PRÉCAUTION**

Non-observation du poids

Risque de blessure et d'endommagement

Tenir compte du poids de l'appareil pour le stockage.

ATTENTION

Gel

Destruction de l'appareil par le gel d'eau

Videz complètement l'appareil de toute son eau.

Rangez l'appareil à un endroit hors gel.

- Stocker cet appareil uniquement à l'intérieur.
- Charger complètement les batteries avant de les stocker longtemps.
- Charger complètement les batteries au moins une fois par mois pendant le stockage.

Entretien et maintenance

⚠ **DANGER**

Risque de blessures !

L'appareil peut être mis en mouvement de manière inattendue et causer des blessures.

Avant les travaux, mettre l'interrupteur à clé de l'appareil à « 0 » et retirer la clé.

Débranchez la fiche secteur du chargeur.

- Vidanger et éliminer l'eau sale et l'eau propre.

Inspection de sécurité/contrat de maintenance

Vous pouvez convenir d'une inspection de maintenance régulière ou conclure un contrat de maintenance avec votre distributeur. Demandez conseil.

Intervalles de maintenance

Après chaque fonctionnement

ATTENTION

Risque d'endommagement !

Risque d'endommager l'appareil en cas de nettoyage inapproprié.

Ne pas asperger l'appareil avec de l'eau et ne pas utiliser de produits de nettoyage agressifs.

Pour la description détaillée des différents travaux de maintenance, voir le chapitre *Travaux de maintenance*.

- Vidanger l'eau sale.
- Rincer le bac d'eau sale à l'eau claire.
- Nettoyer l'extérieur de l'appareil à l'aide d'un chiffon humide imbibé d'une solution basique de nettoyage.
- Contrôler le filtre à peluches, le nettoyer si besoin.
- Nettoyer le filtre à impuretés grossières.
- Nettoyer le filtre à impuretés grossières.
- **Variante BR uniquement :** Retirer et vider le réservoir de déchets volumineux.
- **Variante BR uniquement :** Nettoyer la gouttière de distribution d'eau.
- Nettoyer les lèvres d'aspiration, en vérifier l'usure, si besoin régler la hauteur ou remplacer.
- Vérifier l'usure des brosses à vitre, les remplacer si besoin.
- Charger la batterie.
 - Si le niveau de charge est inférieur à 50%, charger complètement et sans interruption la batterie.
 - Si le niveau de charge est supérieur à 50%, charger la batterie uniquement si la prochaine utilisation requiert la durée de fonctionnement complète.

Toutes les semaines

- En cas d'utilisation fréquente, charger la batterie complètement et sans interruption au moins une fois par semaine.

Tous les mois

Pour la description détaillée des différents travaux de maintenance, voir le chapitre *Travaux de maintenance*.

1. Vider le réservoir d'eau propre et rincer les dépôts.
2. Nettoyer le filtre d'eau propre.

3. Nettoyer le flotteur et le filtre à peluches.
4. Vérifier l'oxydation des pôles de la batterie, les brosser si besoin. Vérifier la bonne fixation des câbles de liaison.
5. Nettoyer les joints entre le bac d'eau sale et le couvercle et en vérifier l'étanchéité, les remplacer si besoin.
6. Sur les batteries sans maintenance, vérifier l'étanchéité à l'acide des cellules.
7. Après des arrêts prolongés, ranger l'appareil avec les batteries complètement chargées. Charger la batterie complètement au moins une fois par mois.

Tous les ans

- Faire réaliser l'inspection prescrite par le service après-vente.

Travaux de maintenance

Retourner ou remplacer les lèvres d'aspiration

Lorsque les lèvres d'aspiration sont usées jusqu'au repère d'usure, elles doivent être retournées ou remplacées.

Illustration R

- ① Repère d'usure
 - ② Lèvre d'aspiration
1. Retirer la barre d'aspiration.
 2. Dévisser les poignées étoiles.

Illustration S

3. Retirer les pièces en plastique.
4. Retirer les lèvres d'aspiration.
5. Insérer les lèvres d'aspiration retournées ou neuves.
6. Placer les pièces en plastique.
7. Visser et serrer les poignées étoiles.

Nettoyer le filtre d'eau propre

1. Vidanger l'eau propre (voir le chapitre *Vidanger l'eau propre*).
2. Dévisser la fermeture du réservoir d'eau propre.

Illustration U

- ① Fermeture du réservoir d'eau propre
 - ② Filtre d'eau propre
3. Sortir le filtre d'eau propre et le rincer à l'eau claire.
 4. Insérer le filtre d'eau propre.
 5. Poser la fermeture du réservoir d'eau propre.

Remarque : Veiller à ce que le raccord de flexible dans la fermeture du réservoir d'eau propre soit placé au point le plus bas après le vissage.

Nettoyer le filtre à impuretés grossières

1. Ouvrir le couvercle du bac d'eau sale.

Illustration T

- ① Filtre à impuretés grossières
2. Sortir le filtre à impuretés grossières vers le haut.
 3. Rincer le filtre à impuretés grossières sous l'eau courante.
 4. Insérer le filtre à impuretés grossières dans le bac d'eau sale.

Nettoyer le flotteur et le filtre anti-peluches

1. Ouvrir le couvercle du bac d'eau sale.

Illustration V

- ① Cran
- ② Flotteur
- ③ Filtre anti-peluches
- ④ Logement du flotteur

2. Défaire le cran.
3. Sortir le logement du flotteur vers le bas.
4. Sortir le flotteur du logement du flotteur et le nettoyer.
5. Retirez le filtre anti-peluches et nettoyez-le.
6. Remonter toutes les pièces dans l'ordre inverse.

Remplacer les disques brosses

1. Soulever la tête de nettoyage.
2. Appuyer la pédale de changement de brosse vers le bas au-delà de la résistance.

Illustration W

- ① Pédale de changement de brosse
3. Sortir le 1er disque brosse sur le côté, sous la tête de nettoyage.
 4. Maintenir le nouveau disque brosse sous la tête de nettoyage, l'appuyer vers le haut et l'enclencher.
 5. Répéter la procédure pour le 2e disque brosse.

Remplacement des brosses-rouleaux

1. Soulever la tête de nettoyage.
 2. Retirer la poignée de changement de brosse.
- ##### Illustration Y
- ① Poignée de changement de brosse
 - ② Couvercle de palier avec joint racleur
 - ③ Brosse-rouleau
3. Retirer le couvercle de palier avec le joint racleur.
 4. Retirer la brosse-rouleau.
 5. Insérer la nouvelle brosse-rouleau et la centrer sur l'entraîneur.
 6. Poser le couvercle de palier avec le joint racleur.

Remarque

S'assurer que la brosse-rouleau se trouve sur le mandrin de porte-pièce et non en dessous.

7. Faire pivoter la poignée de changement de brosse vers le haut et l'enclencher.
8. Répéter la procédure du côté opposé.

Nettoyage de la règle de distribution d'eau

Illustration X

- ① Barrette de distribution d'eau
 - ② Déverrouillage
1. Appuyer sur le déverrouillage dans le sens de la flèche et le maintenir.
 2. Faire pivoter la règle de distribution d'eau vers l'avant.
 3. Retirer la règle de distribution d'eau dans le sens de la longueur.
 4. Nettoyage de la règle de distribution d'eau
 5. Réinsérer la règle de distribution d'eau dans la tête de nettoyage et enclencher le verrouillage.

Aide en cas de défauts

⚠ DANGER

Risque de blessures !

L'appareil peut être mis en mouvement de manière inattendue et causer des blessures.

Avant les travaux, mettre l'interrupteur à clé de l'appareil à « 0 » et retirer la clé.

Débranchez la fiche secteur du chargeur.

- Vidanger et éliminer l'eau sale et l'eau propre.
- En cas de défauts ne pouvant pas être résolus à l'aide de ce tableau, contacter le service après-vente.

Défaut	Solution
Impossible de démarrer l'appareil	<ol style="list-style-type: none"> 1. Mettre l'interrupteur à clé sur « 1 ». 2. Déverrouiller le bouton d'arrêt d'urgence sur le tableau de commande en le tournant. (Remarque : toutes les versions de l'appareil ne sont pas équipées d'un bouton d'arrêt d'urgence) 3. Actionner l'interrupteur de sécurité. 4. Brancher la fiche de la batterie. 5. Vérifier les batteries, les charges si besoin. 6. Vérifier que les pôles de la batterie sont raccordés.
La quantité d'eau est insuffisante	<ol style="list-style-type: none"> 1. Vérifier le niveau de remplissage du réservoir d'eau propre, remplir le réservoir si besoin. 2. Augmenter la quantité d'eau sur la molette de réglage de quantité d'eau. 3. Retirer la règle de distribution d'eau sur la tête de nettoyage et nettoyer le conduit d'eau (uniquement variante BR). 4. Nettoyer le filtre d'eau propre. 5. Vérifier les éventuels colmatages des flexibles, les nettoyer si besoin.
La puissance d'aspiration est trop faible	<ol style="list-style-type: none"> 1. Arrêter l'appareil et vidanger l'eau sale. 2. Nettoyer les joints entre le bac d'eau sale et le couvercle et en vérifier l'étanchéité, les remplacer si besoin. 3. Vérifier que le flexible d'aspiration est bien raccordé avec le bac d'eau sale. 4. Vérifier l'encrassement du filtre anti-peluches, le nettoyer si besoin. 5. Nettoyer les lèvres d'aspiration sur la barre d'aspiration, les retourner ou remplacer si besoin. 6. Vérifier que le couvercle du flexible de vidange de l'eau sale est fermé. 7. Vérifier le réglage de la barre d'aspiration. 8. Vérifier les éventuels colmatages du flexible d'aspiration, le nettoyer si besoin. Lors de la remise en place du flexible d'aspiration, le repère blanc du flexible doit se trouver sur les agrafes de maintien. 9. Vérifier l'étanchéité du flexible d'aspiration, le remplacer si besoin.
Le résultat de nettoyage est insuffisant	<ol style="list-style-type: none"> 1. Réduire la vitesse. 2. Vérifier l'usure des brosses, les remplacer si besoin. 3. Vérifier l'aptitude du type de brosse et du détergent.
La turbine d'aspiration fonctionne à vitesse augmentée	<ol style="list-style-type: none"> 1. Vidanger l'eau sale. 2. Nettoyer le flotteur. 3. Vérifier le filtre anti-peluches, le nettoyer si besoin. 4. Vérifier les éventuels colmatages du flexible d'aspiration, le nettoyer si besoin. 5. Vérifier les éventuels colmatages de la barre d'aspiration, éliminer les colmatages si besoin
Le brosse ne tourne pas	<ol style="list-style-type: none"> 1. Vérifier qu'aucun corps étranger ne bloque la brosse, retirer le corps étranger si besoin.
L'appareil vibre pendant le nettoyage	<ol style="list-style-type: none"> 1. Utiliser une brosse plus douce.

Accessoires variante BD

Désignation	BD 70/75 réf.	BD 80/100 réf.	Description
Brosse à vitre, blanche (très douce)	4905-011,0	4905-030,0	Pour le nettoyage de sols peu encrassés ou fragiles
Disque brosse, nature (doux)	4905-012,0	4905-031,0	En fibres naturelles pour le nettoyage et le polissage
Disque brosse, rouge (moyen, standard)	4905-010,0	4.905-000,0	À utiliser pour toutes les tâches de nettoyage conventionnelles
Disque brosse, noir (dur)	4905-013,0	4905-032,0	Pour les encrassements profonds et le nettoyage de fond, uniquement pour les revêtements non fragiles
Porte-disque de pad	4762-590,0	4762-447,0	Pour le nettoyage avec des pads, avec accouplement rapide et Centerlock
Pad, blanc	–	6.371-331,0	Pour le polissage de sols
Pad, rouge (moyennement doux)	6369-003,0	6371-147,0	Pour le nettoyage et le dégraisage de tous les sols
Pad, vert (moyennement dur)	6369-002,0	6371-148,0	Pour le nettoyage de sols fortement encrassés et pour le nettoyage de fond
Pad, noir (dur)	6369-001,0	6371-169,0	Pour les encrassements tenaces et pour le nettoyage de fond
Pad, marron (SPP)	2639-290,0	2639-288,0	Pour l'assainissement de film d'entretien de surfaces dures et élastiques

Accessoires variante BR

Désignation	BR 75/75 réf.	BR 85/100 réf.	Description
Brosse-rouleau, blanc	6907-771,0	6907-772,0	Pour le lustrage et le nettoyage d'entretien de sols fragiles.
Rouleau-brosse, rouge	4035-605,0	4.035-606-0	Pour le nettoyage d'entretien de sols même très encrassés.
Rouleau-brosse, orange	6907-730,0	6907-734,0	Pour le récurage de sols structuraux (dalles de sécurité, etc.).
Rouleau-brosse, vert	6907-732,0	6907-735,0	Pour le nettoyage puissant de sols très encrassés et pour la désincrustation (par ex. cires, acrylates)
Rouleau-brosse, noir	6907-732,0	6907-736,0	

Désignation	BR 75/75 réf.	BR 85/100 réf.	Description
Axe pour rouleau pad	4762-627,0	4762-628,0	Pour le support de rouleaux pads.
Rouleau en microfibre	4114-007,0	4114-008,0	Pour le nettoyage d'entretien des sols lisses.

Accessoires variantes BD et BR

Désignation	BD 70/75 W Classic Bp NA N° de pièce	BD 70/75 + BR 75/75 réf.	BD 80/100 + BR 85/100 réf.	Description
Barre d'aspiration, 950 mm, cintrée	4.777-111.0	–	–	Pour les passages étroits
Barre d'aspiration, 1030 mm, cintrée	–	4.777-108.0	–	Standard
Barre d'aspiration, 1160 mm, cintrée	–	–	4.777-102.0	Standard
Jeu de lèvres d'aspiration, caoutchouc naturel	4.037-174.0	4.037-144.0	4.037-138.0	Standard
Jeu de lèvres d'aspiration, PU	4.037-173.0	4.037-145.0	4.037-140.0	Résistant à l'huile
Jeu de lèvres d'aspiration, Linatex	4.037-175.0	4.181-011.0	4.181-006.0	Indéchirable

Caractéristiques techniques

		BD 70/75 W Classic Bp	BR 75/75 W Classic Bp	BD 80/100 W Classic Bp	BR 85/100 W Classic Bp
Caractéristiques de puissance de l'appareil					
Tension nominale	V	24	24	24	24
Capacité de la batterie	Ah	115 / 170 / 180	170 / 180	170 / 180 / 240 / 285	170 / 180 / 240 / 285
Puissance moyenne absorbée	W	1270	800	1320	1150
Puissance du moteur de traction	W	250	250	300	300
Puissance de la turbine d'aspiration	W	500	500	500	500
Puissance de l'entraînement de la brosse	W	2 x 500	2 x 600	2 x 500	2 x 750
Rendement surfacique théorique	ft ² /h (m ² /h)	37674.7 (3500)	40364.7 (3.750)	43000 (4000)	45746.6 (4.250)
Volume du réservoir d'eau propre	gal (l)	19.8 (75)	19.8 (75)	26.4 (100)	26.4 (100)
Volume du bac d'eau sale	gal (l)	19.8 (75)	19.8 (75)	26.4 (100)	26.4 (100)
Température max. de l'eau	°F (°C)	122 (50)	122 (50)	122 (50)	122 (50)
Pression max. de l'eau	psi (bar)	0.87 (0.06)	0.87 (0.06)	0.87 (0.06)	0.87 (0.06)
Largeur de rotation de pas	in (mm)	61 (1550)	61 (1550)	65 (1650)	65 (1650)
Inclinaison max. de la zone de travail	%	2	2	2	2
Aspiration					
Puissance d'aspiration, débit d'air	CFM (l/s)	50.8 (24)	50.8 (24)	50.8 (24)	50.8 (24)
Puissance d'aspiration, dépression	psi (kPa)	2.3 (16)	2.3 (16)	2.3 (16)	2.3 (16)
Brosses de nettoyage					
Largeur de travail	in (mm)	27.6 (700)	29.5 (750)	31.5 (800)	31.5 (800)33.5 (850)
Diamètre de la brosse	in (mm)	14 (356)	4.1 (105)	16.2 (410)	4.1 (105)
Vitesse de rotation de la brosse	1/min	140	1200	140	1200
Pression d'appui au sol de la brosse	lbf (N)	67.4 / 112.4 (300 / 500)	90 (400)	90 / 152.9 (400 / 680)	89.9 (400)
Dimensions et poids					
Poids total autorisé	lbs (kg)	959 (435)	727.5 (330)	959 (435)	970 (440)
Poids à vide (poids de transport)	lbs (kg)	716 (325)	496 (225)	716 (325)	749.6 (340)
Dimensions du compartiment des batteries	in (mm)	24.5 x 15.1 (622 x 384)	22.6 x 15 (575 x 380)	24.5 x 15.1 (622 x 384)	24.5 x 15.1 (622 x 384)
Valeurs déterminées selon EN 60335-2-72					
Valeur de vibration totale	m/s ²	<2,5	<2,5	<2,5	<2,5
Incertitude K	dB(A)	0.2	0.2	0.2	0.2
Niveau de pression acoustique L _{pA}	dB(A)	65	65	65	65
Incertitude K _{pA}	dB(A)	2	2	2	2
Niveau de puissance acoustique L _{WA} + incertitude K _{WA}	dB(A)	81	81	81	81

Sous réserve de modifications techniques.



THANK YOU!
MERCI! DANKE! ¡GRACIAS!



Registrieren Sie Ihr Produkt und profitieren Sie von vielen Vorteilen.

Register your product and benefit from many advantages.

Enregistrez votre produit et bénéficiez de nombreux avantages.

Registre su producto y aproveche de muchas ventajas.

www.kaercher.com/welcome

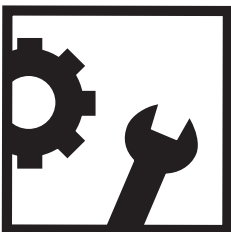


Bewerten Sie Ihr Produkt und sagen Sie uns Ihre Meinung.

Rate your product and tell us your opinion.

Évaluer votre produit et dites-nous votre opinion.

Reseñe su producto y díganos su opinión.



2-2-SC-A4-GS-aw19869

www.kaercher.com/dealersearch

Alfred Kärcher SE & Co. KG
Alfred-Kärcher-Str. 28-40
71364 Winnenden (Germany)
Tel.: +49 7195 14-0
Fax: +49 7195 14-2212

