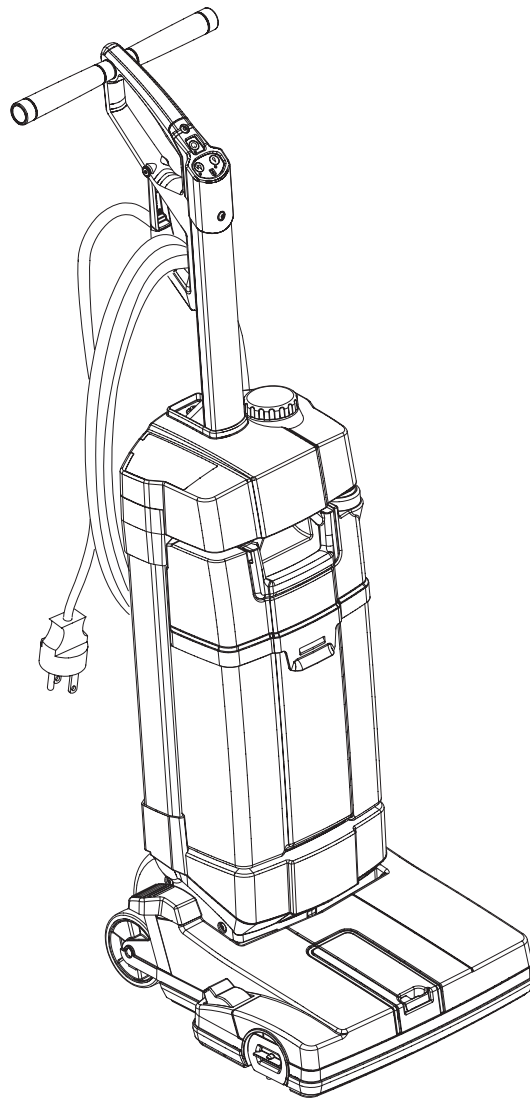


# SC100

---



---

## PARTS LIST

**Model:** 107408120 - 107408121 - 107416213



# Advance



**TABLE OF CONTENTS**

GENERAL VIEW .....	2
NOZZLE HEAD .....	4
BODY .....	6
RECOVERY TANK .....	8
SOLUTION TANK .....	10
HANDLE .....	12
WIRING DIAGRAM .....	14
RECOMMENDED PARTS - ACCESSORIES/OPTIONAL.....	15

**WHEN ORDERING PARTS**

- Use the part numbers from the “REF. NO.” columns in this parts list. If the “REF. NO.” column is blank; look under the “KIT” column to identify which kit contains the part in question, then use the kit callout, for example “K1”, to find the “REF. NO.” for that kit.
- Specify the model and serial number of the machine.
- Use the space below to record the model and serial number for future reference.

Model

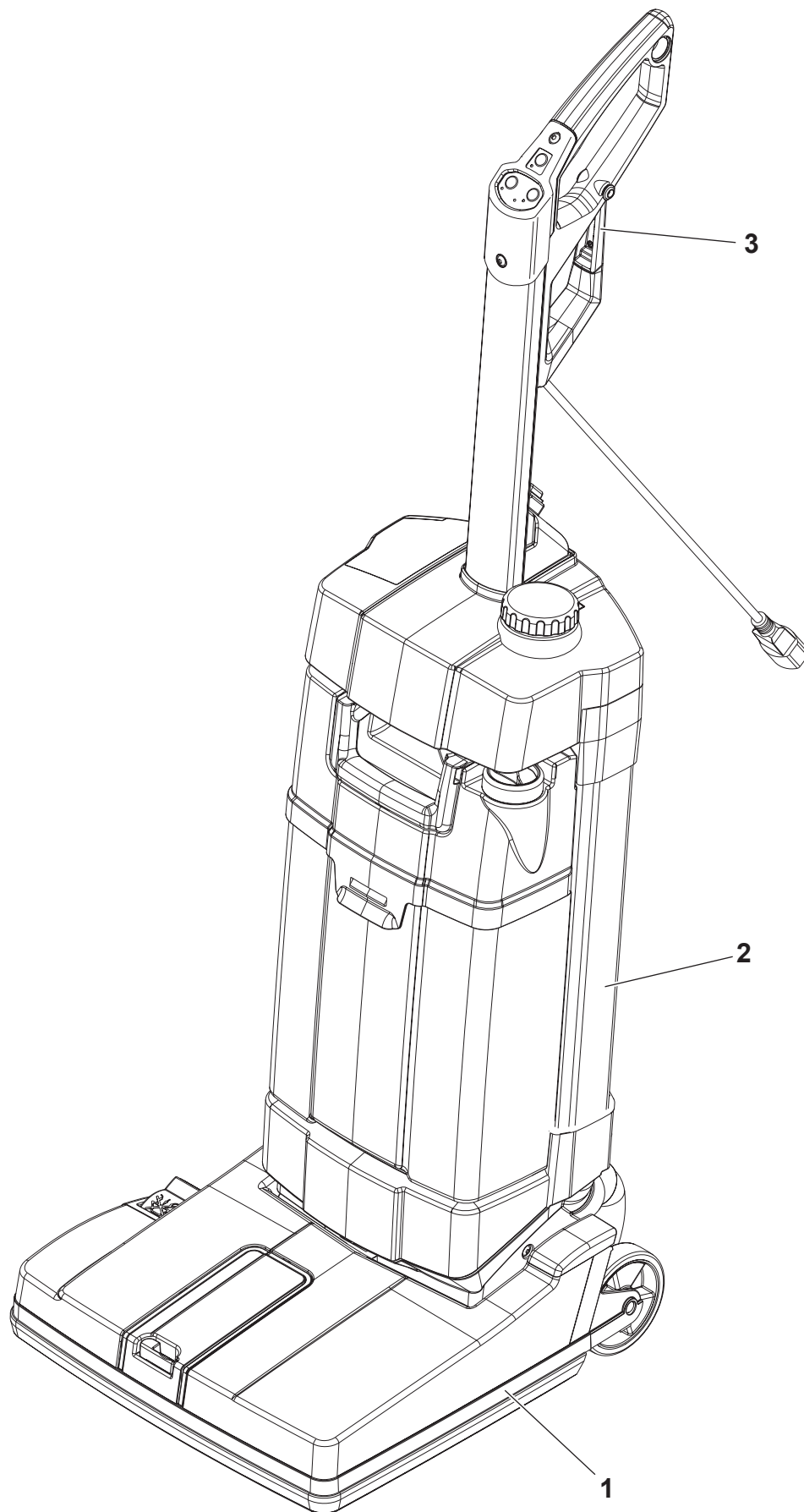
Serial No.

\* = Optional

# = Modified item No. or New item No.

[] = Not shown

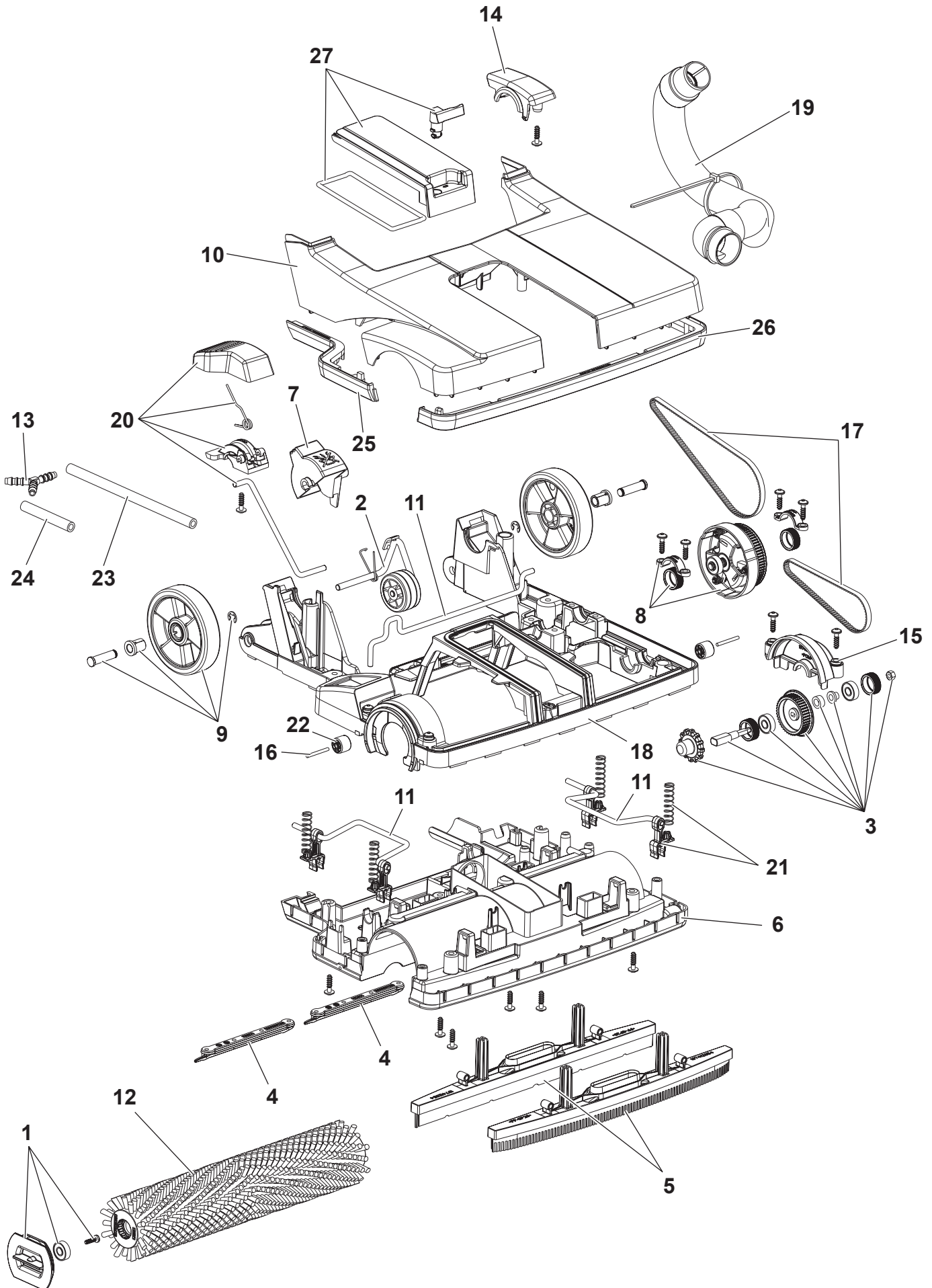
GENERAL VIEW



**GENERAL VIEW**

KIT	ITEM	REF. NO.	QTY	DESCRIPTION
	1		1	NOZZLE HEAD CPL
	2		1	BODY CPL. NILFISK 230V
	3		1	HANDLE CPL. NILFISK
	[4]	107411864	1	MANUAL SUCTION HOSE KIT
	[5]	107411865	1	CARPET COMPLETE KIT
	[6]	107414568	1	ACCESSORY BAG KIT
	[7]	107416424	1	DETACHABLE CORD 15M US

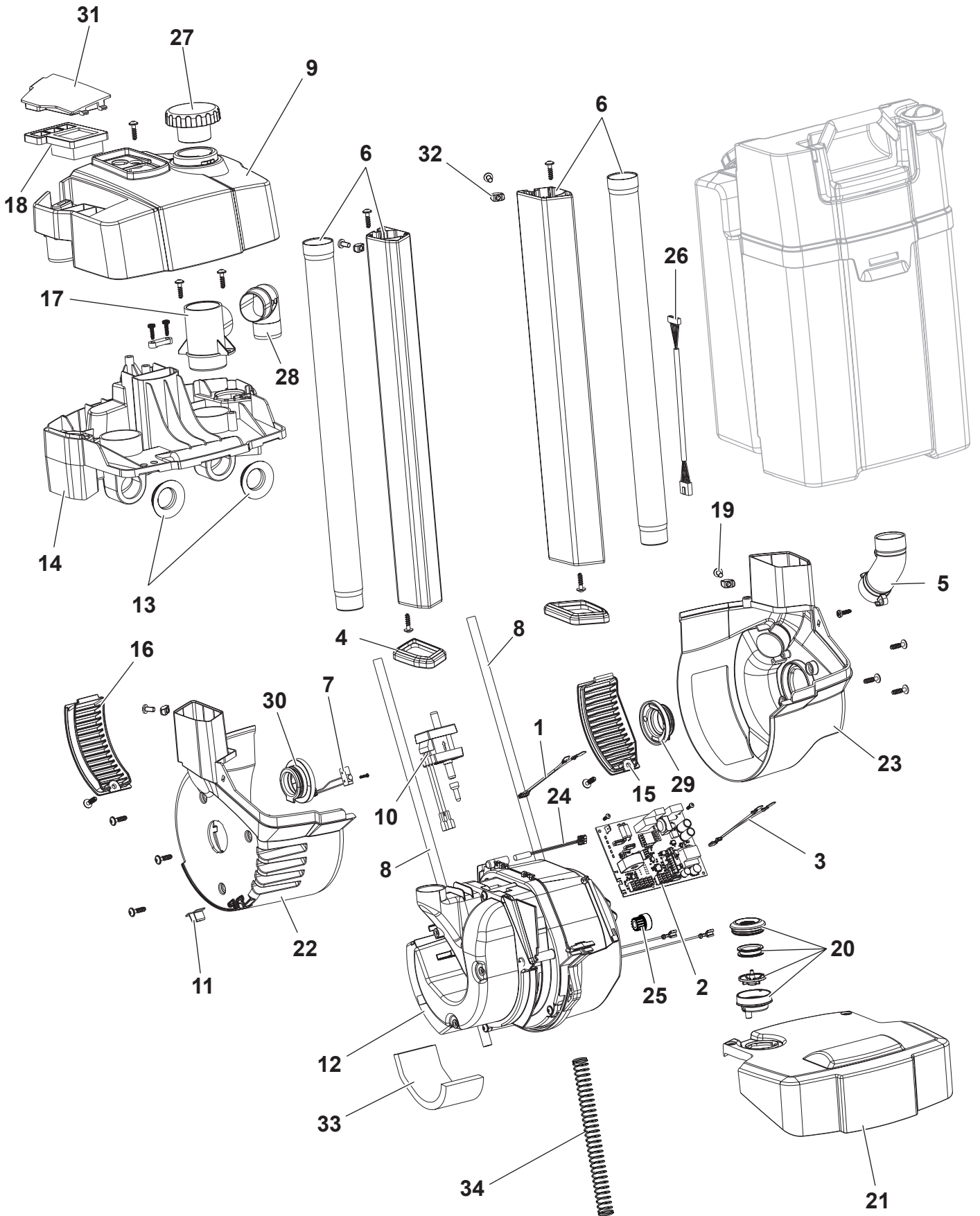
## NOZZLE HEAD



## NOZZLE HEAD

KIT	ITEM	REF. NO.	QTY	DESCRIPTION
	1	107413503	1	KEY LOCK BRUSH JET BLACK
	2	107413471	1	AXLE HIGHT ADJUSTMENT ROLLER
	3	107413495	1	BRUSH MOUNTING
	4	107413493	2	DOSING BRIDGE
	<b>5</b>	<b>107411867</b>	<b>1</b>	<b>SQUEEGEE 321MM 13 KIT</b>
	<b>5</b>	<b>107411868</b>	<b>1</b>	<b>SQUEEGEE 321MM 13 CARPET KIT</b>
K1	6		1	NOZZLE HEAD CHASSIS
	7	107413522	1	SQUEEGEE PEDAL JET BLACK
	8	107413487	1	CLUTCH OVERLOAD CPL
	9	107413515	1	REAR WHEEL Ø90 WITH AXLE CPL.
K2	10		1	TOP COVER CHASSIS RAL 7001
	11	107413520	1	SQUEEGEE LIFTER
	<b>12</b>	<b>107411860</b>	<b>1</b>	<b>BRUSH CYL 310MM 12.5 MEDIUM PPL WHITE</b>
	<b>12</b>	<b>107411861</b>	<b>1</b>	<b>BRUSH CYL 310MM 12.5 HARD PPL BLACK</b>
	<b>12</b>	<b>107411862</b>	<b>1</b>	<b>BRUSH CYL 310MM 12.5 MICROFIBRE</b>
	<b>12</b>	<b>107411863</b>	<b>1</b>	<b>BRUSH CYL 310MM 12.5 CARPET</b>
K2	13		1	Y-CONNECTOR FOR Ø6/Ø10 TUBE
	14	107414818	1	BEARING COVER LEFT JET BLACK
	15	107413476	1	BRUSH BEARING COVER
K1	16		2	AXLE FOR SUPPORT ROLLER
	17	107413477	1	BANDO BELT (BRUSH)
K1	18		1	FRAME FOR CHASSIS
	19	107413478	1	HOSE AIRCHANNEL
	20	107413512	1	PARKING PEDAL ORANGE
	21	107413521	4	SQUEEGEE LIFTER, BODY
K1	22		2	SUPPORT ROLLOR
K2	23		1	SILICONE HOSE 10X6
K2	24		1	SILICONE HOSE 10X6
K1	25		1	BUMPER RIGHT
K1	26		1	BUMPER, LEFT
	27	107413488	1	COVER FOR SQUEEGEE CHANNEL JET BLACK
	[K1]	107413509	1	NOZZLE HEAD
	[K2]	107413525	1	TOP COVER CHASSIS GREY

BODY

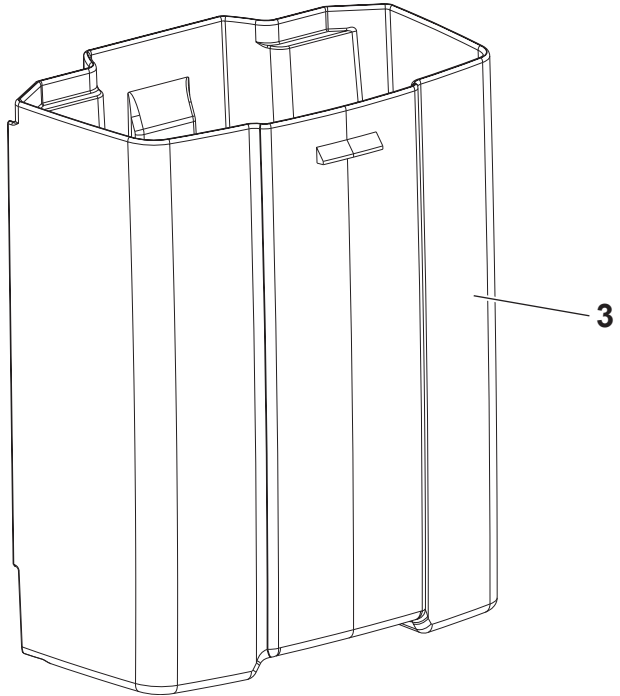
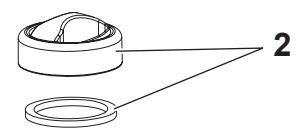
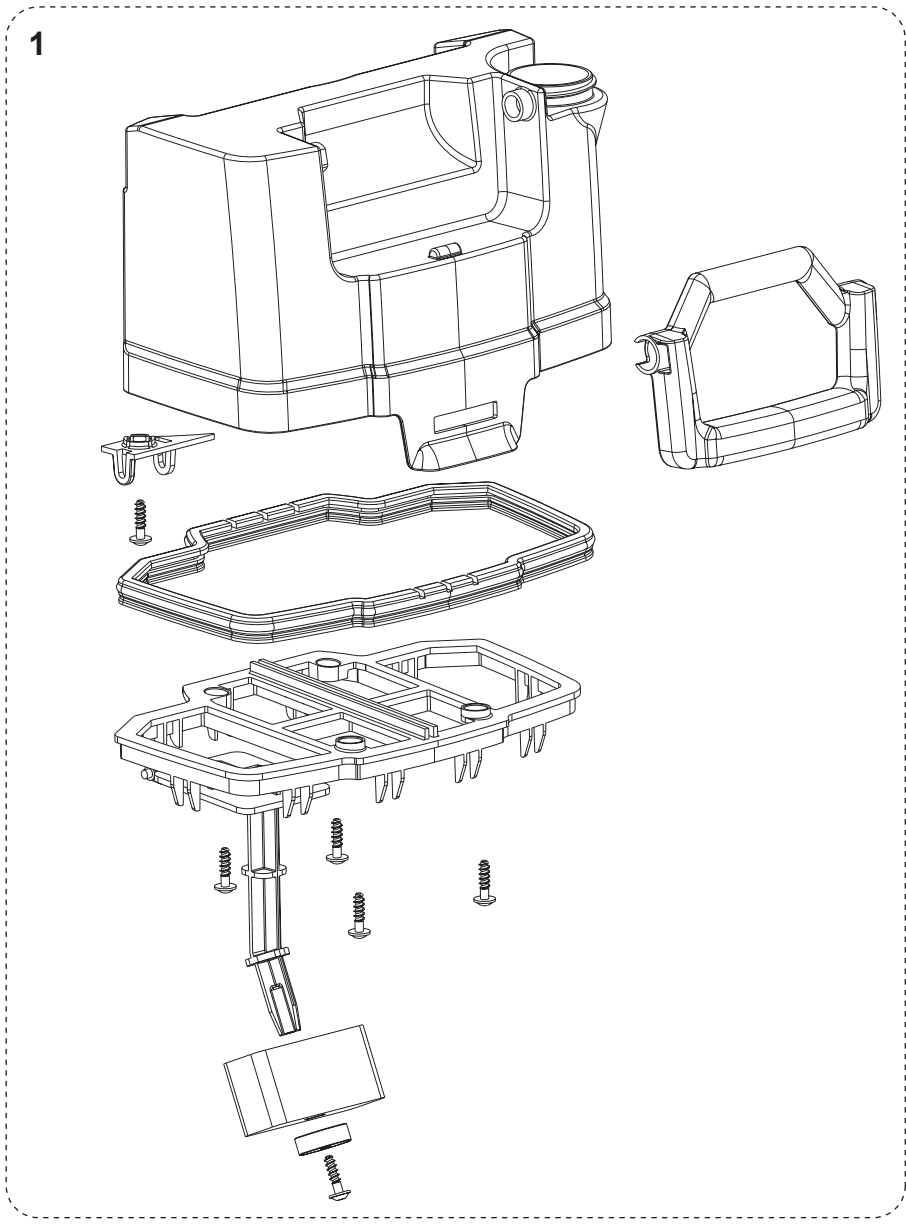




**BODY**

KIT	ITEM	REF. NO.	QTY	DESCRIPTION
	1	107414819	1	WIRE FOR PUMP
	2	107413511	1	PCBA DELTA UP 220-240V
	3	107414814	1	WIRE W. FASTONS
	4	107414820	2	SEALING F. PROFILE, LEFT RIGHT
K2	5	107413479	1	BEND FOR SUCTION HOSE
	6	107414816	2	PROFIL ALUMINIUM WITH TUBES
	7	107414815	1	PARKING SWITCH
	8	107413523	1	SILICONE HOSE 10X6
K3	9		1	TOPCOVER, NILFISK SC100
	10	107413492	1	DOSING PUMP, NILFISK
K1	11		1	P-CLIP
	12	107416434	1	MOTOR HOUSING US
	13	107413499	1	GASKET IN/OUT
K3	14		1	FLOW BASE RAL 7016
K2	15		1	LID FOR OUTLET, MOTOR
K1	16		1	LID FOR OUTLET, TURBINE
K3	17		1	ADAPTER TOP COVER
	18	107413496	1	FILTER
	19	107413508	1	M5X10 BOLT
	20	107413497	1	SOLUTION FILTER
	21	107416439	1	TOP COVER BASE ADVANCE
K1	22		1	BODY RIGHT RAL 7016
K2	23		1	BODY LEFT RAL 7016
	24	107413533	1	WIRE W. JST3POL
	25	107413535	1	COG WHEEL M3 14 T
	26	107413481	1	CABLE F. USER-INTERFACE
	27	107413486	1	CAP FOR SPOT CLEANING BLACK
K3	28		1	ADAPTER TUBE 90°
K2	29		1	POM BEARING LEFT
K1	30		1	POM BEARING RIGHT
	31	107413504	1	LID FOR FILTER GREY
	32	107413529	1	T-NUT, M5
	33#	107414825	1	SOUND INSULATION PLATE - KIT
	34#	55940010	1	SPRING
	[K1]	107416425	1	BODY RIGHT RAL 7016
	[K2]	107416426	1	BODY LEFT RAL 7016
	[K3]	107416431	1	FLOW BASE RAL 7016 US

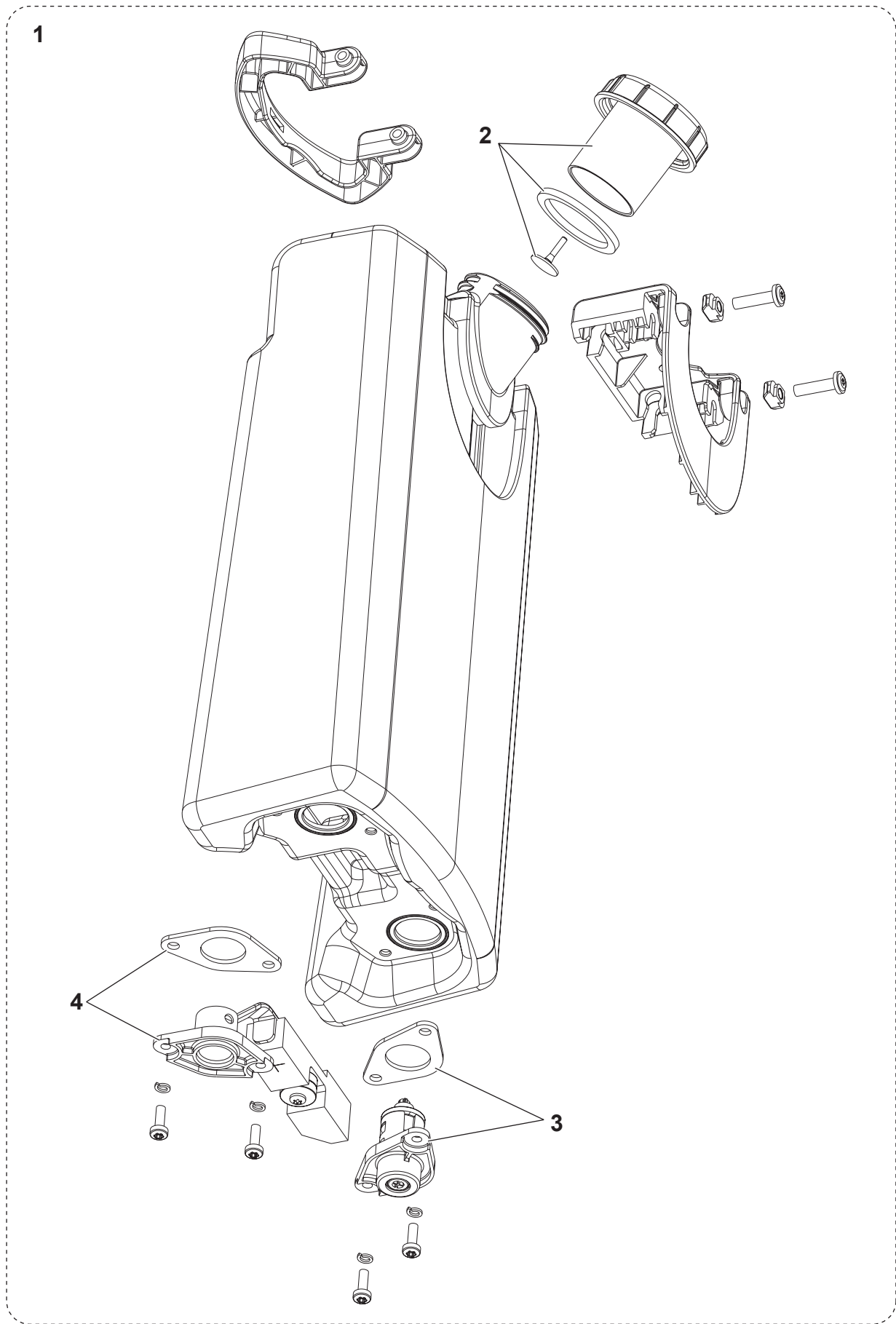
RECOVERY TANK



**RECOVERY TANK**

KIT	ITEM	REF. NO.	QTY	DESCRIPTION
	1	107413527	1	TOP RECOVERY TANK GREY
	2	107413484	1	CAP FOR RECOVERY TANK
	3	107413513	1	RECOVERY TANK GREY

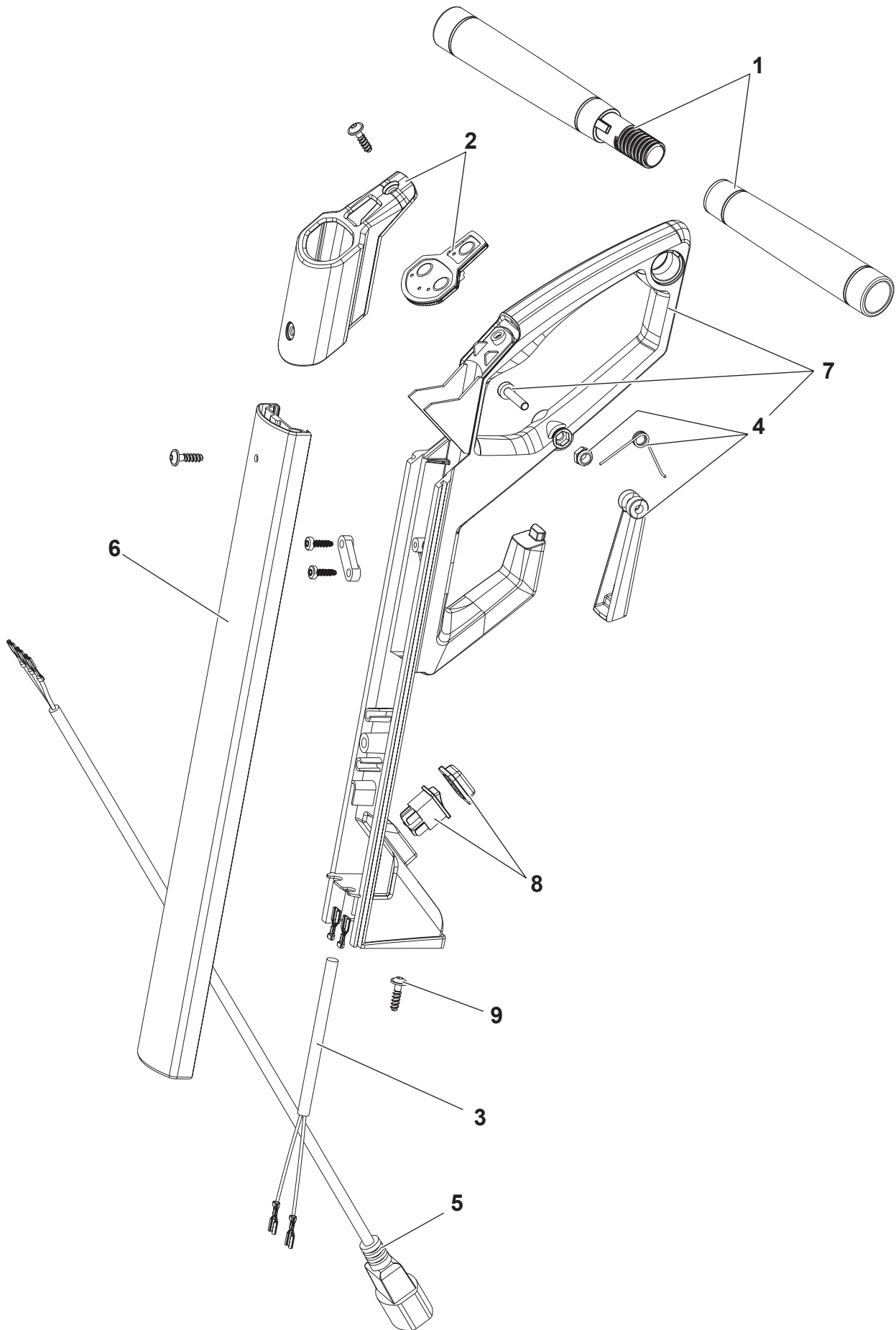
SOLUTION TANK



**SOLUTION TANK**

KIT	ITEM	REF. NO.	QTY	DESCRIPTION
	1	107413519	1	SOLUTION TANK NATURAL
	2	107413485	1	CAP SOLUTION TANK JET BLACK
	3	107413532	1	VALVE FOR SOLUTION TANK CPL.
	4	107413506	1	LEVEL INDICATION

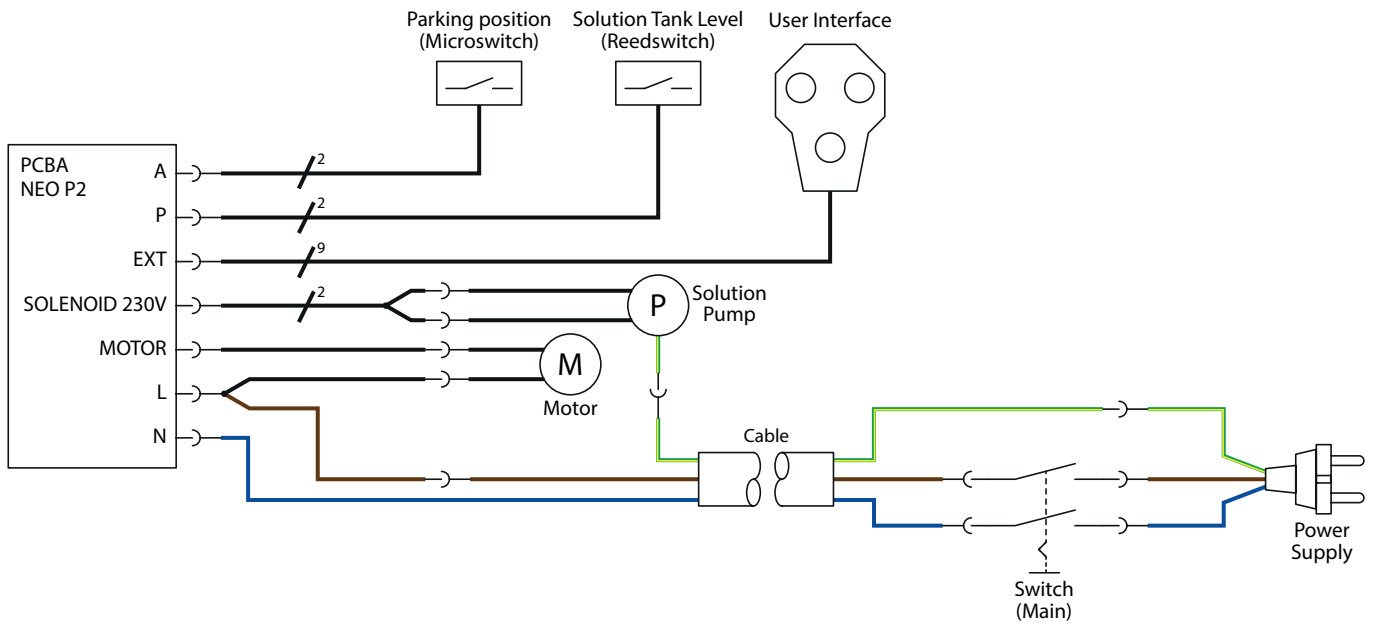
HANDLE



**HANDLE**

KIT	ITEM	REF. NO.	QTY	DESCRIPTION
	1	107413470	1	2-HAND HANDLE
	2	107413510	1	NILFISK USER INTERFACE
	3	107414817	1	WIRE, MAIN SWITCH
	4	107413480	1	CARABINA AND SPRING FOR HANDLE
	5	107413491	1	DETACHABLE CORD MALE PLUG
	6	107413472	1	ALUMINUM TUBE (HANDRAIL)
	7	107413501	1	HANDLE SCRUBBER NILFISK
	8	107413516	1	SWITCH, MAIN
	9#	107141838	1	SCREW K50X18 WN 1451 BLACK TORX20

WIRING DIAGRAM





**RECOMMENDED PARTS**

REF. NO.	QTY	DESCRIPTION
<b>NORMAL WEAR</b>		
107411867	1	SQUEEGEE 321MM 13 KIT
107411860	1	BRUSH CYL 310MM 12.5 MEDIUM PPL WHITE
<b>ORDINARY MAINTENANCE</b>		
107413503	1	KEY LOCK BRUSH JET BLACK
107413471	1	AXLE HIGHT ADJUSTMENT ROLLER
107413515	1	REAR WHEEL Ø90 WITH AXLE CPL.
107413477	1	BANDO BELT (BRUSH)
107413478	1	HOSE, AIRCHANNEL
107416434	1	MOTOR HOUSING US
107413496	1	FILTER
107416427	1	DETACHABLE CORD MALE PLUG US
107413532	1	VALVE FOR SOLUTION TANK CPL.
<b>EXTRAORDINARY MAINTENANCE</b>		
107413493	2	DOSING BRIDGE
107413509	1	NOZZLE HEAD
107413525	1	TOP COVER CHASSIS GREY
107413487	1	CLUTCH OVERLOAD CPL
107413488	1	COVER FOR SQUEEGEE CHANNEL JET BLACK
107413511	1	PCBA DELTA UP 220-240V
107413535	1	COG WHEEL M3 14 T
107413504	1	LID FOR FILTER GREY
107416426	1	BODY LEFT RAL 7016
107416425	1	BODY RIGHT RAL 7016
107413492	1	DOSING PUMP, NILFISK
107413499	1	GASKET IN/OUT
107413497	1	SOLUTION FILTER
107413486	1	CAP FOR SPOT CLEANING BLACK
107413525	1	TOP COVER CHASSIS GREY
107413484	1	CAP FOR RECOVERY TANK
107413513	1	RECOVERY TANK GREY
107413527	1	TOP RECOVERY TANK GREY
107416433	1	HANDLE SCRUBBER ADVANCE
107416435	1	NILFISK USER INTERFACE
107413519	1	SOLUTION TANK NATURAL

**ACCESSORIES/ OPTIONAL**

REF. NO.	QTY	DESCRIPTION
107411864	1	MANUAL SUCTION HOSE KIT
107411865	1	CARPET COMPLETE KIT
107414568	1	ACCESSORY BAG KIT
107416424	1	DETACHABLE CORD 15M US
107411867	1	SQUEEGEE 321MM 13 KIT
107411868	1	SQUEEGEE 321MM 13 CARPET KIT
107411860	1	BRUSH CYL 310MM 12.5 MEDIUM PPL WHITE
107411861	1	BRUSH CYL 310MM 12.5 HARD PPL BLACK
107411862	1	BRUSH CYL 310MM 12.5 MICROFIBRE
107411863	1	BRUSH CYL 310MM 12.5 CARPET
107413489	1	DETACHABLE CORD MALE PLUG







9435 Winnetka Avenue North  
Brooklyn Park, MN 55445  
[www.advance-us.com](http://www.advance-us.com)  
Phone: 800-989-2235  
Fax: 800-989-6566  
©2017 Nilfisk, Inc.