**DESCRIPTION****PLAN**

|                             |    |
|-----------------------------|----|
| Motor and motor parts       | 2  |
| Electrical parts            | 4  |
| Container parts             | 6  |
| Straps                      | 8  |
| Filters                     | 10 |
| Nozzles 1.5 Inch, 38 mm     | 12 |
| Wands, hose 1.5 Inch, 38 mm | 14 |
| Wiring diagram              | 15 |

**WHEN ORDERING PARTS**

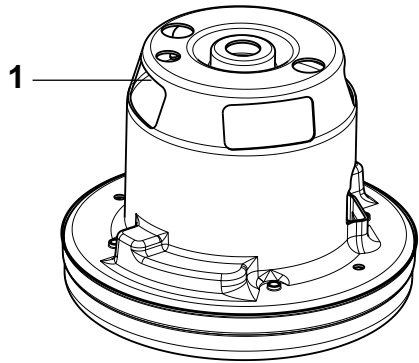
- \* Use the digit numbers from the "Part No." columns in this spare parts list.
- \* Specify the model and serial number of the machine.
- \* Use the space below to record the model and serial number for future reference.

Model \_\_\_\_\_ Serial no. \_\_\_\_\_

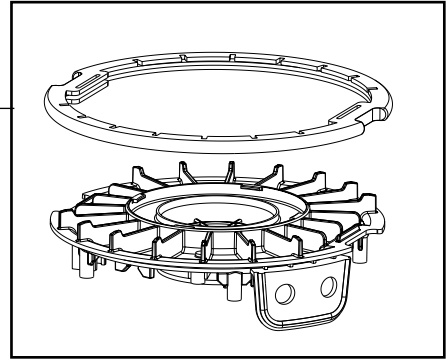
**USA**  
 Nilfisk-Advance Inc.  
 14600 21st Avenue North  
 Plymouth, MN 55447-3408  
 Tel.: (763) 745 3500  
 Fax : (763) 745 3718

**Canada**  
 Nilfisk-Advance Canada Company  
 396 Watline Avenue  
 Mississauga  
 Ontario, L4Z 1X2  
 Tel.: 905-712-3260  
 Fax: 905-712-3255

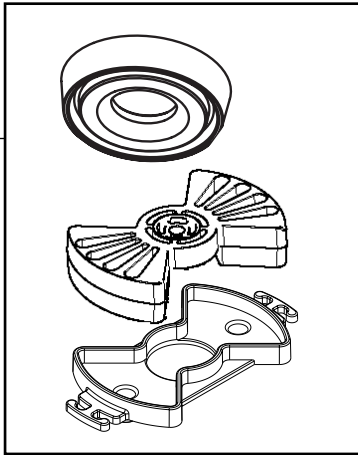
[www.mn.nilfisk-advance.com](http://www.mn.nilfisk-advance.com)



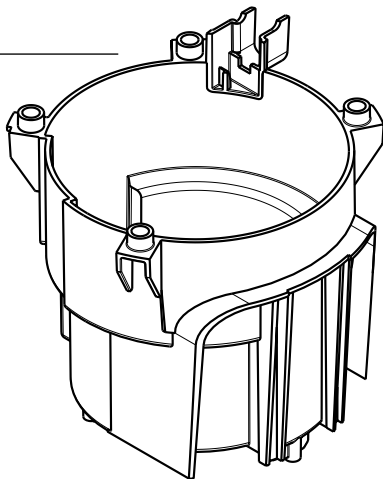
4



2

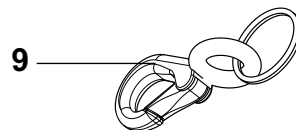
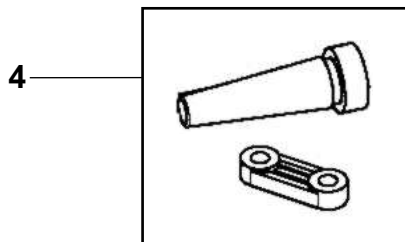
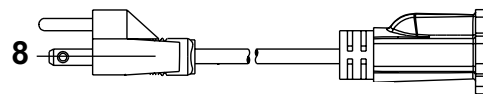
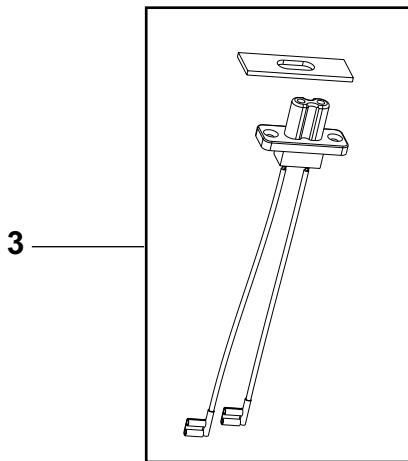
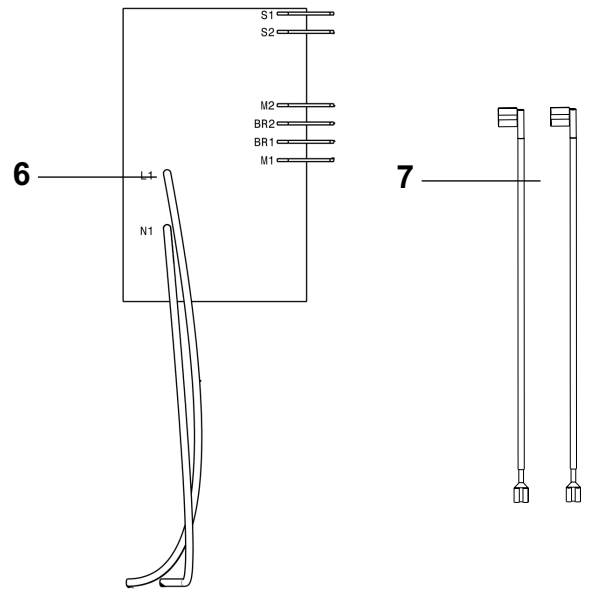
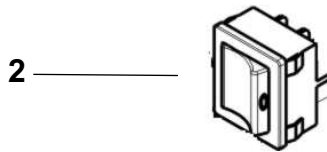
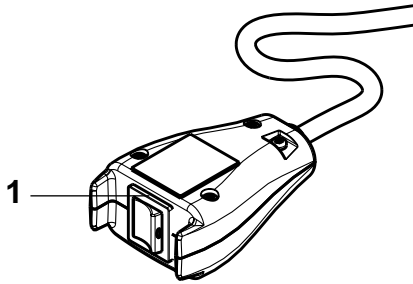


3



|       |                              |                     |  |          |
|-------|------------------------------|---------------------|--|----------|
| 08-02 | Advance Adgility 6XP, 10XP   | <b>823 0101 000</b> |  |          |
|       | <b>MOTOR AND MOTOR PARTS</b> |                     |  | <b>3</b> |

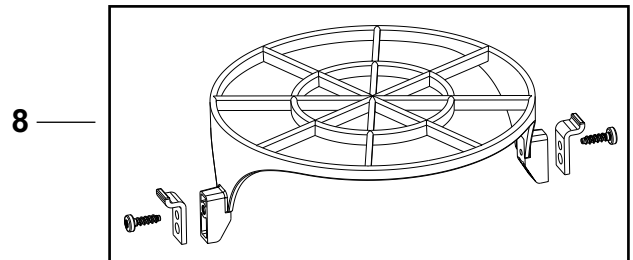
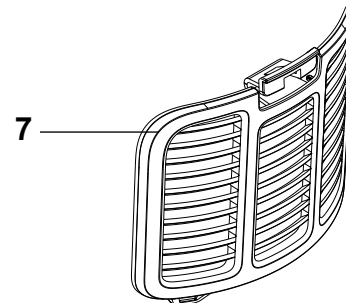
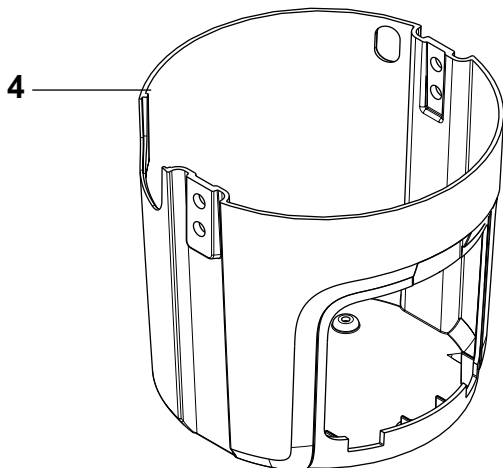
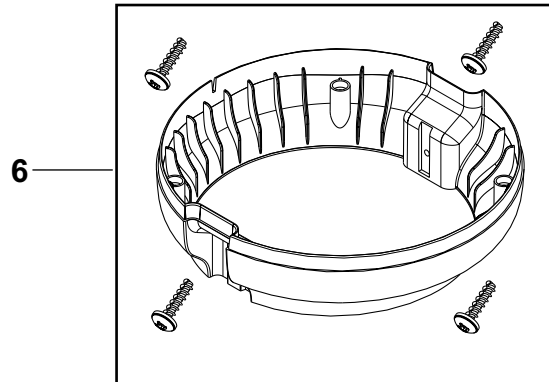
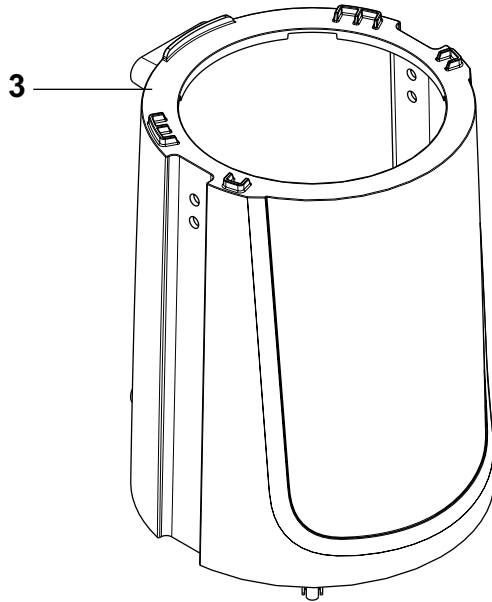
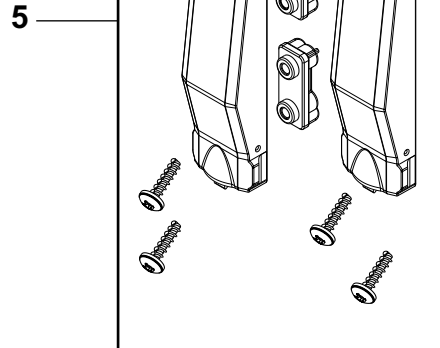
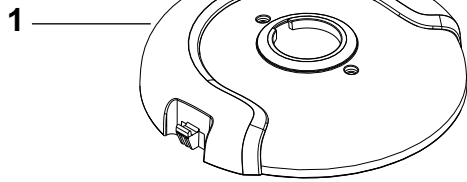
| Item | Part No.     | Qty. | Description               | Note |
|------|--------------|------|---------------------------|------|
| 1    | 147 1109 500 | 1    | Fan unit 100 -120V, 1300W |      |
| 2    | 147 1111 500 | 1    | Motor suspension kit      |      |
| 3    | 147 1088 510 | 1    | Motor cover, UL-approved  |      |
| 4    | 147 1086 510 | 1    | Chassis, UL-approved      |      |



|       |                            |                     |  |          |
|-------|----------------------------|---------------------|--|----------|
| 08-02 | Advance Adgility 6XP, 10XP | <b>823 0101 000</b> |  |          |
|       | <b>ELECTRICAL PARTS</b>    |                     |  | <b>5</b> |

| Item | Part No.     | Qty. | Description                          | Note  |
|------|--------------|------|--------------------------------------|---|
| 1    | 147 1105 500 | 1    | Switch cpl.                          |   |
| 2    | 140 5496 510 | 1    | Switch                               |   |
| 3    | 140 8497 530 | 1    | Connector                            |   |
| 4    | 140 7035 510 | 1    | Sleeve kit                           | Anti strain clip<br>incl.                   |
| 5    | 140 3859 500 | 1    | Cord set US/TW plug,<br>machine end. | 1.3 ft (400 mm)                             |
| 6    | 147 1231 510 | 1    | Curcuit board 100-120V               |   |
| 7    | 140 7042 520 | 1    | Internal wire kit                    | 2 Wires incl.                               |
| 8    | 147 1243 500 | 1    | Cord extension                       | 50 ft (15.5 m)<br>Colour: Yellow.<br>16 AWG |
| 9    | 147 1346 500 | 1    | Anti strain snap hook                |   |

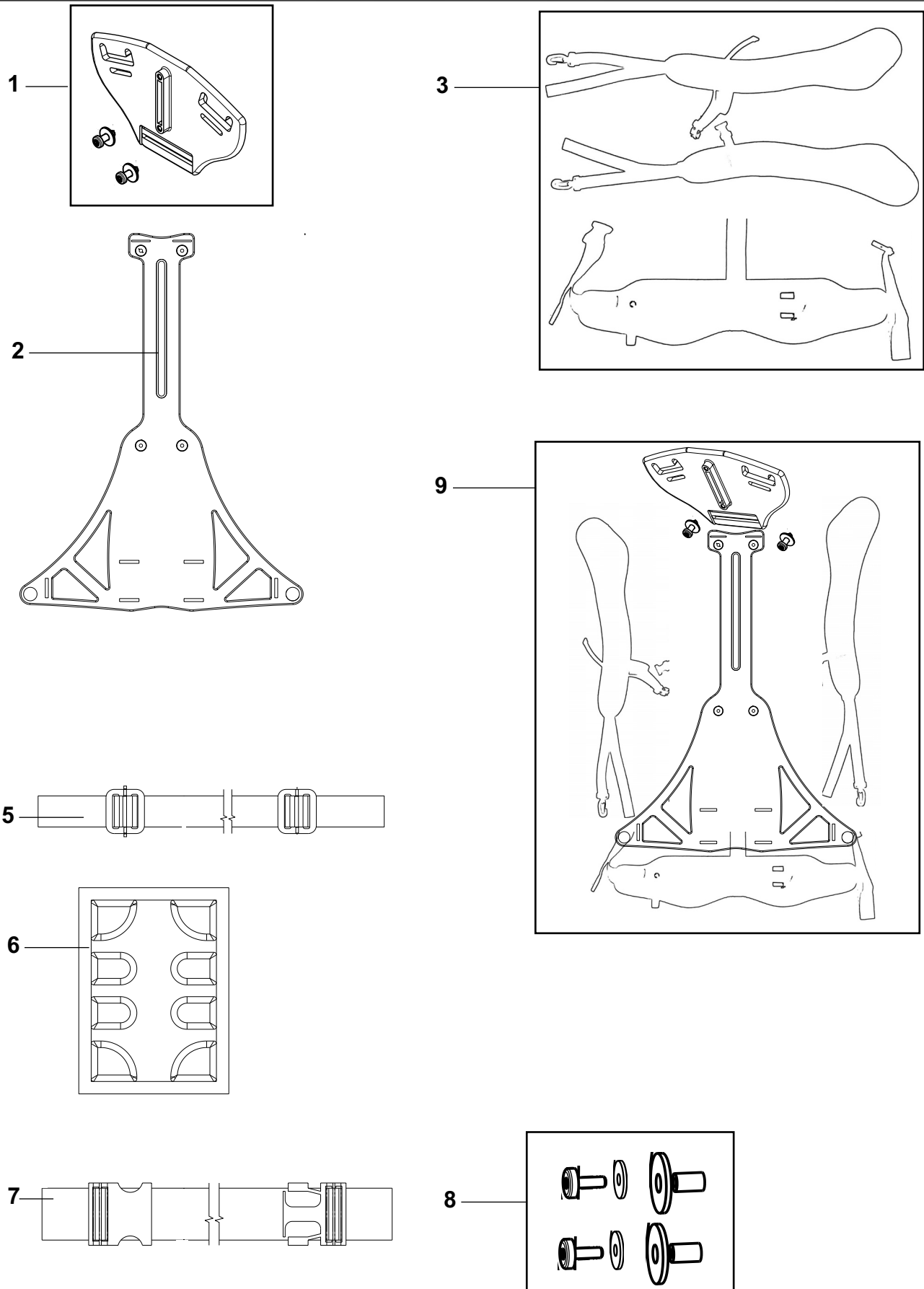
CONTAINER PARTS



|              |                                   |                     |  |          |
|--------------|-----------------------------------|---------------------|--|----------|
| <b>08-02</b> | <b>Advance Adgility 6XP, 10XP</b> | <b>823 0101 000</b> |  |          |
|              | <b>CONTAINER PARTS</b>            |                     |  | <b>7</b> |

| <b>Item</b> | <b>Part No.</b> | <b>Qty.</b> | <b>Description</b>        | <b>Note</b>                               |
|-------------|-----------------|-------------|---------------------------|---|
| 1           | 147 1077 500    | 1           | Outer lid, for 6XP        | Grey                                      |
| 1           | 147 1080 500    | 1           | Outer lid, for 10XP       | Grey                                      |
| 3           | 147 1076 500    | 1           | Container, for 6XP        | Grey                                      |
| 3           | 147 1079 500    | 1           | Container, for 10XP       | Grey                                      |
| 4           | 147 1075 520    | 1           | Cover outer               |   |
| 4           | 147 1075 530    | 1           | Cover outer, power outlet | Gasket incl.                              |
| 5           | 147 1101 500    | 1           | Latch kit                 | 2 latches,<br>screws and<br>screw towers. |
| 6           | 147 1078 500    | 1           | Adapter, for 10XP         | Screws incl.                              |
| 7           | 147 1082 500    | 1           | Grid exhaust              |   |
| 8           | 147 1115 500    | 1           | Basket sack filter        | Hooks and<br>screws incl.                 |

STRAPS PARTS

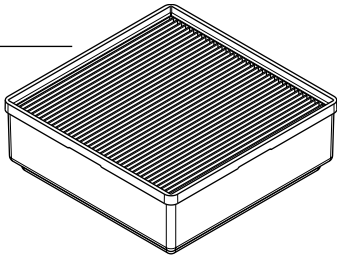




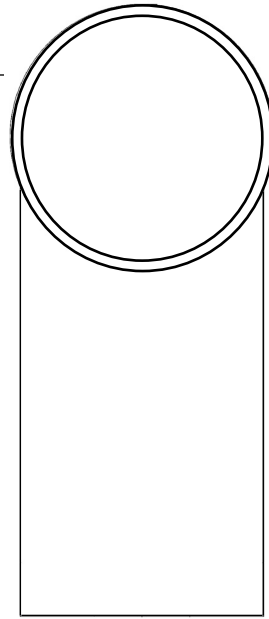
|              |                                   |                     |  |          |
|--------------|-----------------------------------|---------------------|--|----------|
| <b>08-02</b> | <b>Advance Adgility 6XP, 10XP</b> | <b>823 0101 000</b> |  |          |
|              | <b>STRAPS PARTS</b>               |                     |  | <b>9</b> |

| <b>Item</b> | <b>Part No.</b> | <b>Qty.</b> | <b>Description</b>   | <b>Note</b>              |
|-------------|-----------------|-------------|----------------------|--------------------------|
| 1           | 147 1092 500    | 1           | Adjusting plate      |                          |
| 2           | 147 1091 500    | 1           | Harness support      |                          |
| 3           | 147 1246 500    | 1           | Harness premium      | Screws and washers incl. |
| 5           | 147 1247 500    | 1           | Lifting strap        |                          |
| 6           | 147 1248 500    | 1           | Padding, back plate  |                          |
| 7           | 147 1249 500    | 1           | Extension belt       | L=400 mm                 |
| 8           | 147 1246 600    | 1           | Screw kit            | For harness premium      |
| 9           | 147 1246 510    | 1           | Harness premium cpl. |                          |

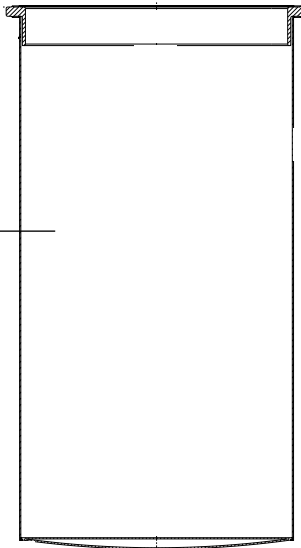
1



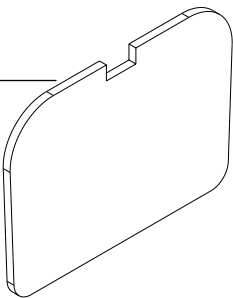
4



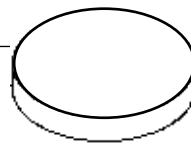
2



3



5



|       |                            |                     |  |           |
|-------|----------------------------|---------------------|--|-----------|
| 08-02 | Advance Adgility 6XP, 10XP | <b>823 0101 000</b> |  |           |
|       | <b>FILTERS</b>             |                     |  | <b>11</b> |

| Item | Part No.     | Qty. | Description                             | Note   |
|------|--------------|------|---|--------|
| 1    | 147 1104 500 | 1    | HEPA-filter cpl.                        |        |
| 2    | 147 1100 500 | 1    | Sack filter, for 6XP                    |        |
| 2    | 147 1099 500 | 1    | Sack filter, for 10XP                   |        |
| 3    | 147 1089 500 | 1    | Exhaust filter                          | 3 pcs. |
| 4    | 147 1098 500 | 1    | Dustbag, for 6XP<br>(1.3 Gallon, 5L)    | 5 pcs. |
| 4    | 147 1097 500 | 1    | Dustbag, for 10XP<br>(2.6 Gallon, 10 L) | 5 pcs. |
| 5    | 147 1095 500 | 1    | Prefilter                               | 3 psc. |

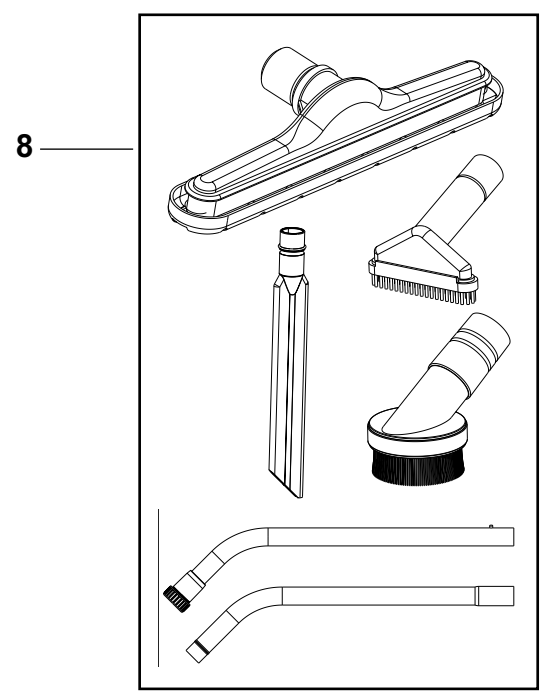
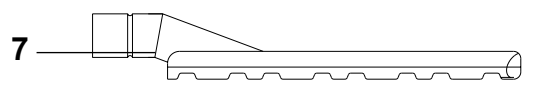
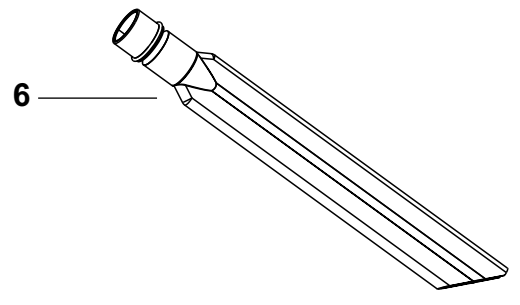
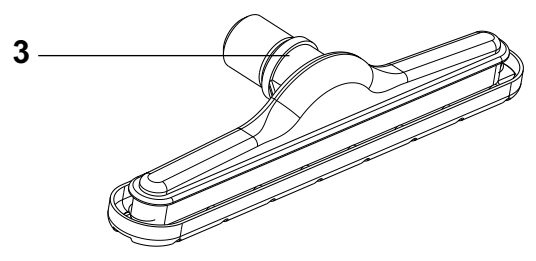
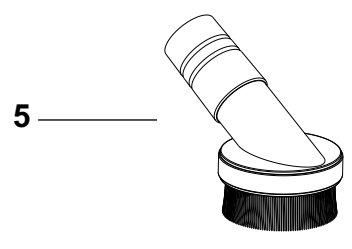
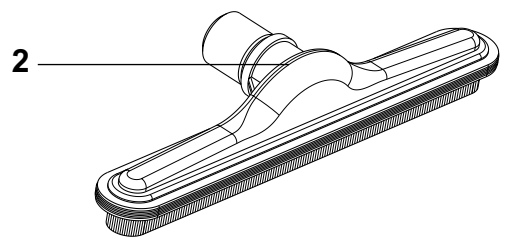
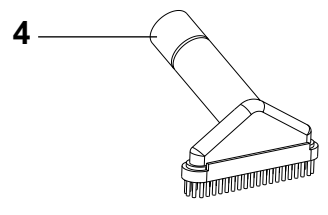
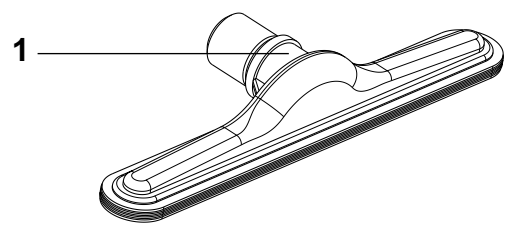
823 0101 000

Advance Adgility 6XP, 10XP

08-02

12

NOZZLES Ø 1.5 Inch, 38 mm



|       |                            |                     |  |    |
|-------|----------------------------|---------------------|--|----|
| 08-02 | Advance Adgility 6XP, 10XP | <b>823 0101 000</b> |  |    |
|       | NOZZLES Ø 1.5 Inch, 38 mm  |                     |  | 13 |

| Item | Part No.     | Qty. | Description                          | Note                                  |
|------|--------------|------|--------------------------------------|---------------------------------------|
| 1    | 147 1383 520 | 1    | Scallop carpet floor tool            |                                       |
| 2    | 147 1383 510 | 1    | Hard floor brush tool                |                                       |
| 3    | 147 1383 500 | 1    | Quick-Glide multi surface floor tool |                                       |
| 4    | 147 1384 500 | 1    | Upholstery tool                      |                                       |
| 5    | 147 1385 500 | 1    | Dust tool                            |                                       |
| 6    | 147 1386 500 | 1    | Crevice tool                         |                                       |
| 7    | 140 7547 500 | 1    | Paddle nozzle                        |                                       |
| 8    | 147 1388 500 | 5    | Standard accessory kit               | Kit with Item # 3,4,5,6 and a S-wand. |

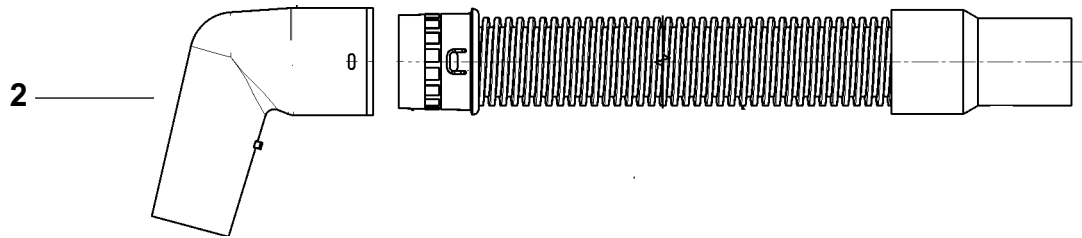
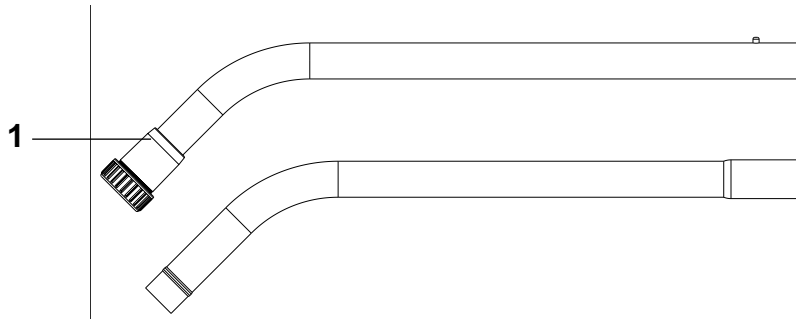
823 0101 000

Advance Adgility 6XP, 10XP

08-02

14

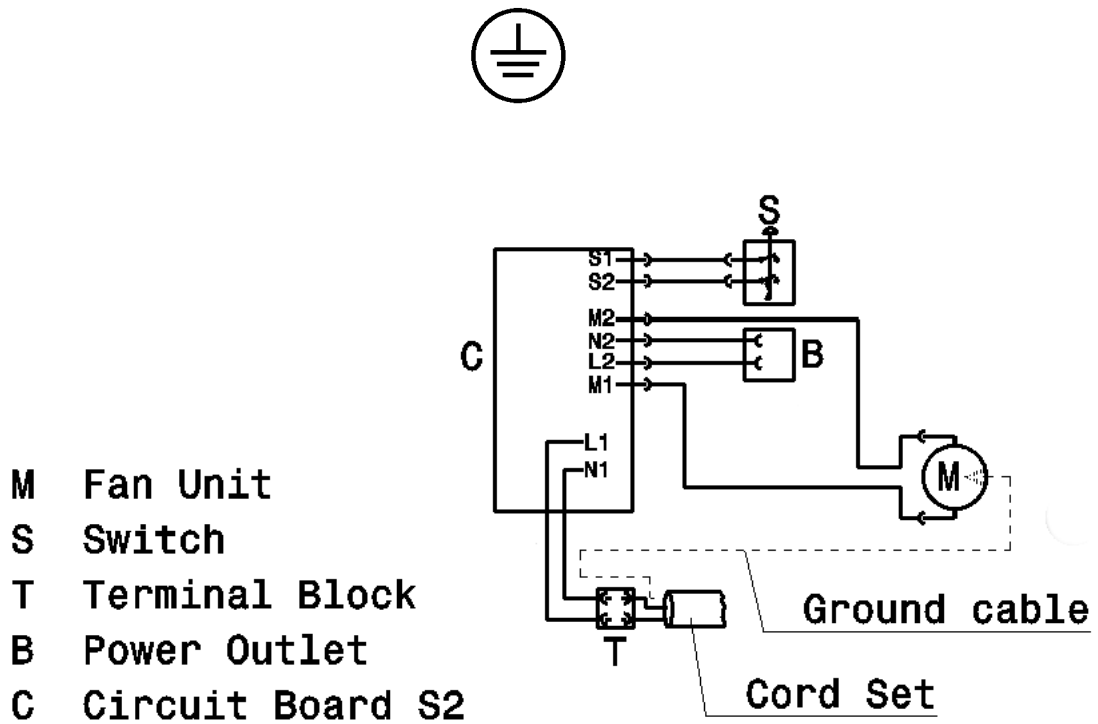
WANDS AND HOSE Ø 1.5 Inch, 38 mm



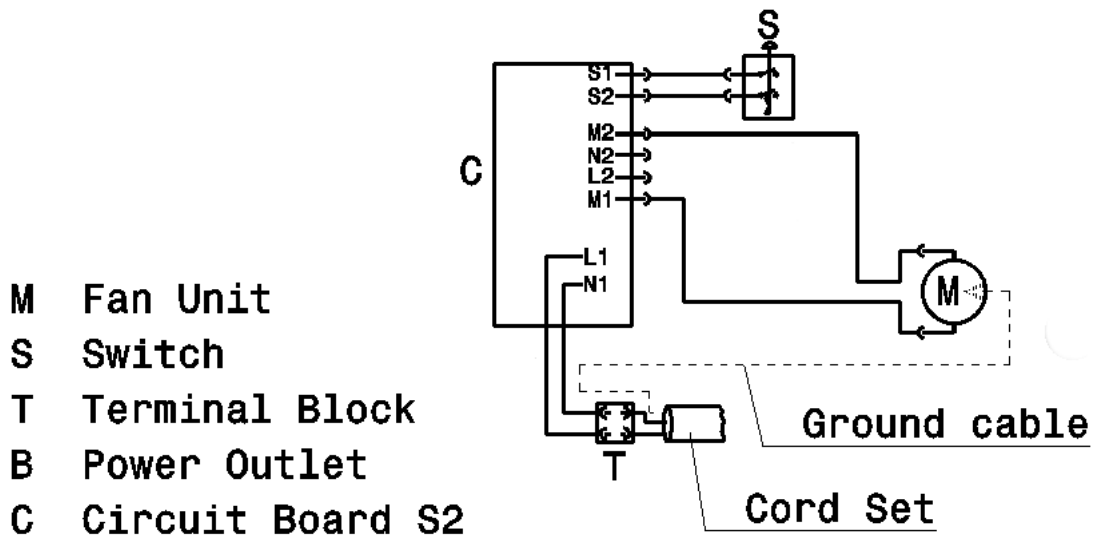
|       |                                  |                     |  |    |
|-------|----------------------------------|---------------------|--|----|
| 08-02 | Advance Adgility 6XP, 10XP       | <b>823 0101 000</b> |  |    |
|       | WANDS AND HOSE Ø 1.5 Inch, 38 mm |                     |  | 15 |

| Item | Part No.     | Qty. | Description                | Note      | EAN code |
|------|--------------|------|----------------------------|-----------|----------|
| 1    | 147 1387 500 | 1    | S-wands                    | Aluminium |          |
| 2    | 147 1237 500 | 1    | Hose cpl. 49 in. (1250 mm) |           |          |

## Wiring diagram - Grounded



Model 10 XP, with power outlet



Model 6 XP, no power outlet