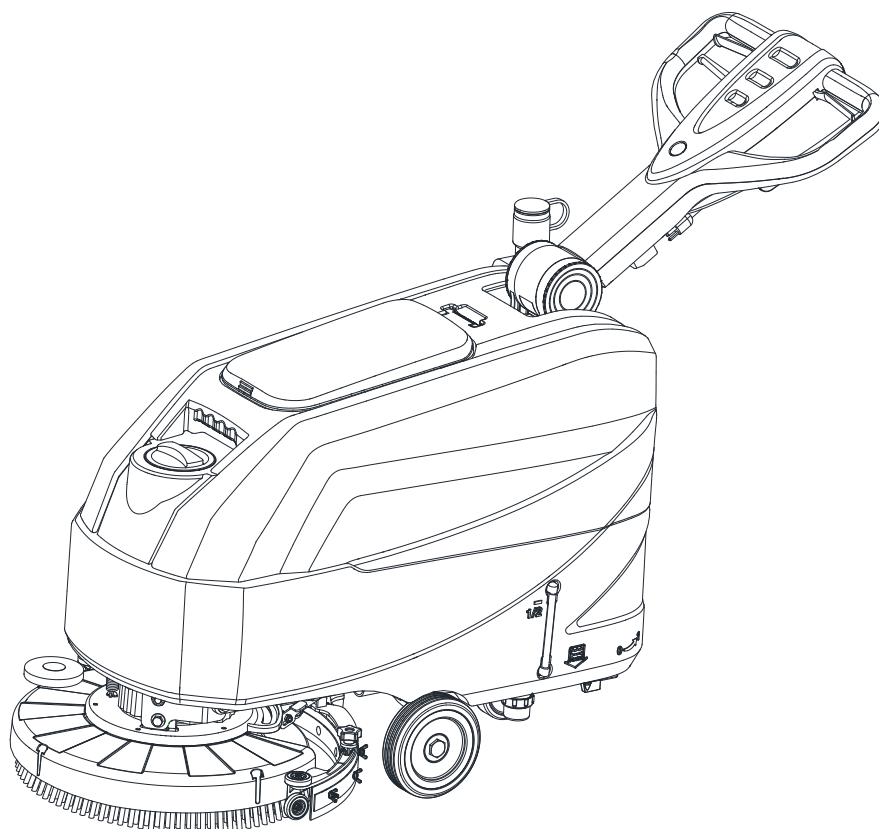


# AS4335C

## INSTRUCTION FOR USE



Model No.: 50000584

VS15352 Rev. A JAN. 2020

Original instructions



# TABLE OF CONTENTS

<b>ENGLISH</b>	<b>INSTRUCTION FOR USE.....</b>	<b>1-20</b>
<b>FRANÇAIS</b>	<b>MANUEL UTILISATEUR.....</b>	<b>21-40</b>
<b>ESPAÑOL</b>	<b>INSTRUCCIONES DE USO.....</b>	<b>41-60</b>
<b>PARTS LIST</b>	<b>.....</b>	<b>61-82</b>

## TABLE OF CONTENTS

<b>INTRODUCTION</b> .....	<b>2</b>
GUIDE PURPOSE AND CONTENTS .....	2
HOW TO KEEP THIS INSTRUCTION FOR USE .....	2
DECLARATION OF CONFORMITY .....	2
ACCESSORIES AND MAINTENANCE .....	2
CHANGE AND IMPROVEMENT .....	2
SCOPE OF APPLICATION .....	2
MACHINE IDENTIFICATION DATA .....	2
TRANSPORT AND UNPACKING .....	3
<b>SAFETY</b> .....	<b>3</b>
VISIBLE SYMBOLS ON THE MACHINE .....	3
SYMBOLS THAT APPEAR ON THE INSTRUCTION FOR USE.....	3
GENERAL SAFETY INSTRUCTION .....	4
<b>MACHINE DESCRIPTION</b> .....	<b>6</b>
MACHINE STRUCTURE (as shown in Figure 1).....	6
CONTROL PANEL (as shown in Figure 2) .....	7
MACHINE SIZE .....	7
TECHNICAL PARAMETERS.....	8
WIRING DIAGRAM (120VAC).....	9
<b>OPERATING GUIDE</b> .....	<b>10</b>
BRUSH/PAD-HOLDER INSTALLATION AND REMOVAL.....	10
SQUEEGEE ASSEMBLY INSTALLATION AND REMOVAL .....	11
SOLUTION OR WASHING WATER TANK FILLING.....	12
REGULATING WATER FLOW .....	12
MACHINE START AND STOP .....	12
MACHINE OPERATION (SCRUBBING AND DRYING).....	13
TANK EMPTYING.....	14
AFTER USING THE MACHINE .....	15
MACHINE LONG INACTIVITY .....	15
FIRST PERIOD OF USE.....	15
<b>MAINTENANCE</b> .....	<b>15</b>
SCHEDULED MAINTENANCE TABLE.....	16
BRUSH/PAD CLEANING .....	16
SOLUTION FILTER CLEANING.....	16
SQUEEGEE CLEANING.....	17
SQUEEGEE BLADE CHECK AND REPLACEMENT .....	18
TANK AND VACUUM GRID WITH FLOAT CLEANING, AND COVER GASKET CHECK .....	18
ACCESSORIES/OPTIONS .....	19
<b>TROUBLESHOOTING</b> .....	<b>20</b>
<b>SCRAPPING</b> .....	<b>20</b>

**INTRODUCTION**



**NOTE**

The numbers in brackets refer to the components shown in Machine Description chapter.

**GUIDE PURPOSE AND CONTENTS**

The purpose of this instruction for use is to provide the operator with all basic information and technical characteristics, operation, machine inactivity, spare parts and safety conditions etc.

Before performing any procedure on the machine, the operators and qualified technicians must read the Instruction for Use manual. Contact our company in case of doubts concerning the interpretation of the instructions or for any further information.

**HOW TO KEEP THIS INSTRUCTION FOR USE**

The instruction for use must be kept near the machine, inside an adequate case, away from liquids and other substances that can cause any damage to it.

**DECLARATION OF CONFORMITY**

Declaration of Conformity is supplied with the machine and certifies machine conformity with the law in force.



**NOTE**

The copies of the original declaration of conformity are provided together with the machine documentation.

**ACCESSORIES AND MAINTENANCE**

All the necessary operation, maintenance and repair procedures must be made by qualified personnel, our company appointed repair center. ONLY original or approved spare parts and accessories can be used.

Contact our company customer service for any service or purchase of accessories or spare parts if necessary.

**CHANGE AND IMPROVEMENT**

We are committed to continuous improvement of our products, and the company reserves the right to machine changes and improvements without additional information.

**SCOPE OF APPLICATION**

The scrubber applies to commercial and industrial use. It is suitable for cleaning smooth and solid floor, operated by a qualified person in safe circumstances. It is not suitable for outdoor use or on carpet or rough floor cleaning.

**MACHINE IDENTIFICATION DATA**

The machine serial number and model name are marked on the serial label.

This information is useful. Use the following table to write down the machine identification data when requiring spare parts for the machine.

MACHINE MODEL .....
MACHINE SERIAL NUMBER.....



**TRANSPORT AND UNPACKING**

When the carrier delivers the machine, make sure the packaging and machine are both whole and undamaged. If there is any damage, inform the carrier before accepting the goods, and reserve the right to compensation for the damage.

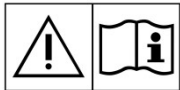
Follow the instructions on packaging strictly when unpacking the machine.

Check the package to ensure following items are included:

1. Technical documentation including instruction for use, and Parts list.

**SAFETY**

The following symbols indicate potentially dangerous situations. Always read this information carefully and take all necessary precautions to safeguard people and property.

**VISIBLE SYMBOLS ON THE MACHINE****WARNING!**

Read all the instructions carefully before performing any operation on the machine.

**WARNING!**

Do not wash the machine with direct or pressurized water jets.

**WARNING!**

Do not use the machine on slopes with a gradient exceeding that is defined in the specifications section.

**SYMBOLS THAT APPEAR ON THE INSTRUCTION FOR USE****DANGER!**

It indicates a dangerous situation with risk of death for the operator.

**WARNING!**

It indicates a potential risk of injury for people.

**CAUTION!**

It indicates a caution, or a remark related to important or useful functions.

Pay attention to the paragraphs marked by this symbol.

**NOTE**

It indicates a remark related to important or useful functions.

**CONSULTATION**

It indicates the necessity to refer to the Instruction for Use manual before performing any procedure.

## GENERAL SAFETY INSTRUCTION

Specific warnings and cautions to inform about potential damages to people and machine are shown below.

**DANGER!**

- This machine must be operated by trained and authorized personnel according to guidance of the manual.
- Before performing any cleaning, maintenance, repair or replacement procedure, read all the instructions carefully, ensure to turn the machine OFF and remove the plug from receptacle.
- Do not operate the machine near toxic, dangerous, flammable and/or explosive powders, liquids or vapour. This machine is not suitable for collecting dangerous powders.
- Do not wear jewelry when working near electrical components.
- Do not work under the lifted machine without supporting it with safety stands.

**WARNING!**

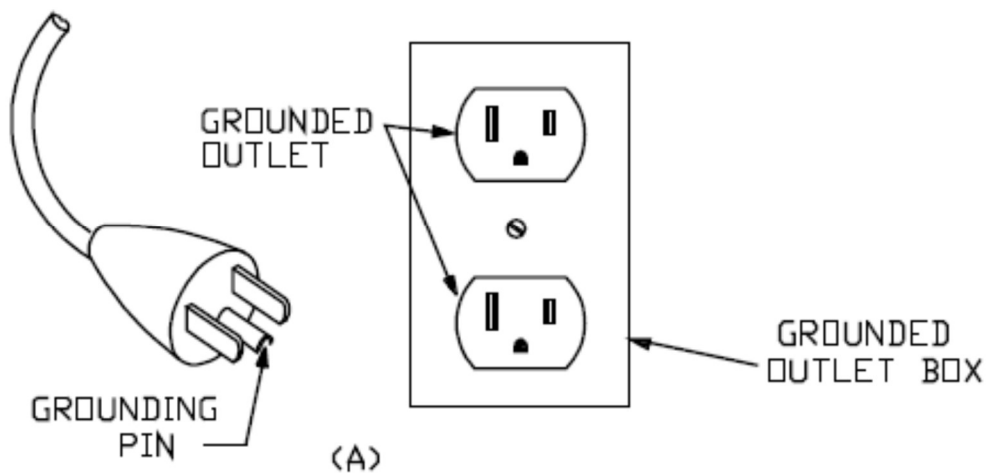
- This machine is intended for **COMMERCIAL USE**, for example in hotels, schools, hospitals, factories, shops, offices and rental businesses.
- Machines left unattended shall be secured against unintentional movement.
- In order to prevent unauthorized use of the machine, the power source shall be switched off or locked, for example by removing the key of the main switch or the ignition key.
- Check the machine carefully before each use. Ensure that all the components have been well assembled before use. Loose components may cause damage to people and properties.
- Never move the machine by pulling the cable. Do not allow the cable to become damaged by a door closing, or sharp corners. Keep the cable away from heated surfaces.
- To reduce the risk of fire, electric shock, or injury, make sure machine is off before leaving.
- Use or store the machine indoors in dry conditions, it is not allowed for outdoor use.
- The machine storage and working temperature must be between 0 °C and +40 °C, the humidity of air must be between 30% - 95%.
- Do not use the machine on slopes with a gradient exceeding the specifications shown.
- When using and handling floor cleaning detergents, follow the instructions on the labels of the detergent bottles and wear suitable gloves and other protective devices.
- Use brushes and pads supplied with the machine or defined in the manual. Using other brushes or pads could reduce safety.
- In case of machine malfunctions, ensure that these are not due to lack of maintenance. If necessary, request assistance from the authorized personnel or from an authorized Service Center.
- Take all necessary precautions to prevent hair, jewelry, and loose clothes from being caught by the machine moving parts.
- Do not use the machine in particularly dusty areas.
- Do not wash the machine with direct or pressured water jets, or with corrosive substances.
- Do not bump into shelves or scaffoldings, especially where there is a risk of falling objects.
- Do not lean liquid containers on the machine, use the relevant can holder.
- To avoid damaging the floor, do not allow the brush/pad to operate while the machine is stationary.
- In case of fire, use a dry powder fire extinguisher. Do not use liquid fire extinguishers.
- Do not remove or modify the machine stickers.
- Do not tamper with the machine safety guards and follow the scheduled maintenance instructions closely.
- Pay attention during machine transportation when temperature is below freezing point. The water in the recovery tank and in the hoses could freeze and cause serious damage to the machine.
- If spare parts need be replaced, order **ORIGINAL** spare parts from an Authorized Dealers or Retailers.
- Return the machine to the Service Center if it doesn't work as usual or it is in condition such as damaged, placed outdoors, dropped into water.

- To ensure machine proper and safe operation, the scheduled maintenance shown in the relevant chapter of this Manual, must be performed by the authorized personnel or an authorized Service Center.
- The machine must be properly disposed of, due to the presence of toxic-harmful materials, which are subject to standards that require disposal in special centers (see Scrapping chapter).
- This machine is a cleaning tool only, not for, and is not intended for any other purpose.
- Always keep the openings free from dust, hairs and any other foreign material which could reduce the air flow. Do not use the machine if the openings are clogged.
- Use the machine only where proper lighting is provided.
- This machine is not intended for use by persons (including children) with reduced physical, sensory or mental capabilities, or lack of experience and knowledge.
- Close attention is necessary when used near children.
- Children should be supervised to ensure that they do not play with the machine.
- While using this machine, take care not to cause damage to people or objects.
- Cleaning and user maintenance shall not be made by children without supervision.
- Operators shall be adequately instructed on the use of these machines.

### Grounding Instruction

This floor-finishing machine shall be grounded while in use to protect the operator from electric shock. The machine is provided with a three-contact grounding-type attachment plug to fit the proper grounding type receptacle.

This appliance is for use on a nominal 120-V circuit and has a grounding attachment plug that looks like the plug illustrated in sketch A. Make sure that the appliance is connected to an outlet having the same configuration as the plug. No adaptor should be used with this appliance.

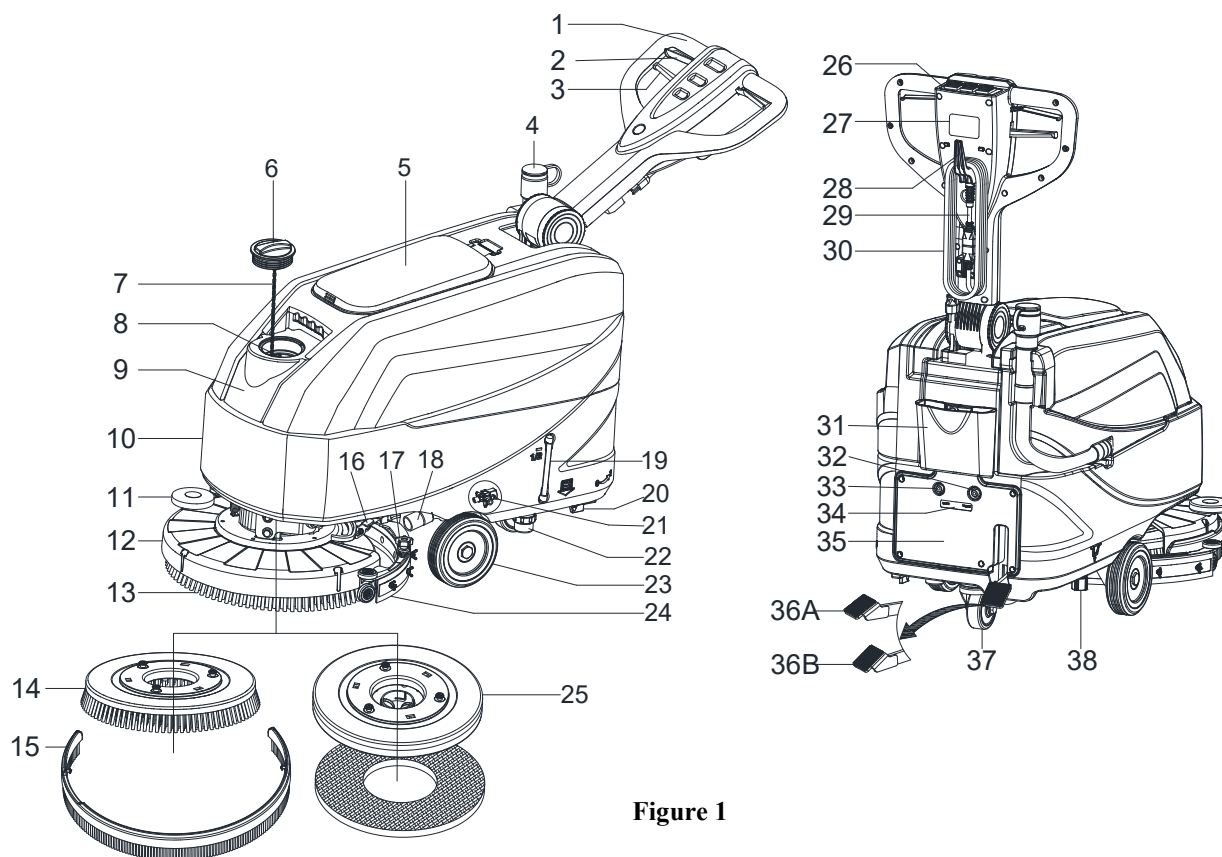


**MACHINE DESCRIPTION**

**MACHINE STRUCTURE (as shown in Figure 1)**

- |                               |  |
|-------------------------------|--|
| 1. Handlebar                  | 22. Solution filter                      |
| 2. Safety switch lever        | 23. Front wheels                         |
| 3. Handlebar adjusting lever  | 24. Squeegee assembly                    |
| 4. Recovery water drain hose  | 25. Pad-holder                           |
| 5. Recovery tank lid          | 26. Control panel                        |
| 6. Fresh water cover          | 27. Serial number plate / technical data |
| 7. Cover retention chain      | 28. Power supply cable holder            |
| 8. Filling hose neck          | 29. Pig tail cord                        |
| 9. Recovery tank              | 30. Power cord 20M                       |
| 10. Solution tank             | 31. Accessory parts box (*)              |
| 11. Brush deck bumper wheel   | 32. Vacuum system reset switch           |
| 12. Brush/pad-holder deck     | 33. Brush system reset switch            |
| 13. Brush/pad-holder          | 34. Reset switch label                   |
| 14. Brush                     | 35. Electrical box cover                 |
| 15. Skirt (*)                 | 36. Deck lifting/lowering pedal          |
| 16. Squeegee lifting handle   | a) Pedal position when deck is lowered   |
| 17. Squeegee knobs            | b) Pedal position when deck is lifted    |
| 18. Recovery water drain hose | 37. Caster wheel                         |
| 19. Solution level hose       | 38. Outlet cover                         |
| 20. Ball valve                |  |
| 21. Solenoid valve            |  |

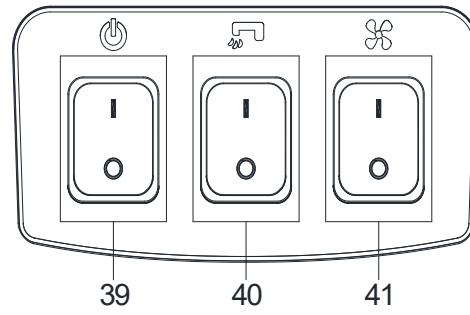
(\*): Optional



**Figure 1**

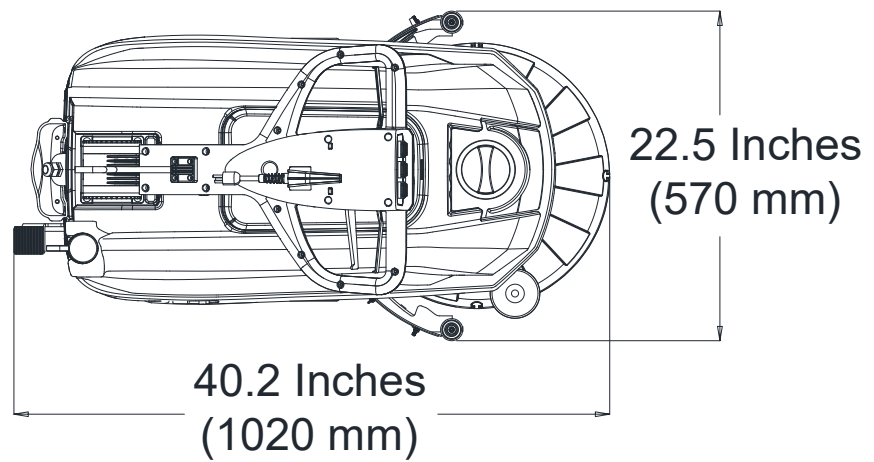
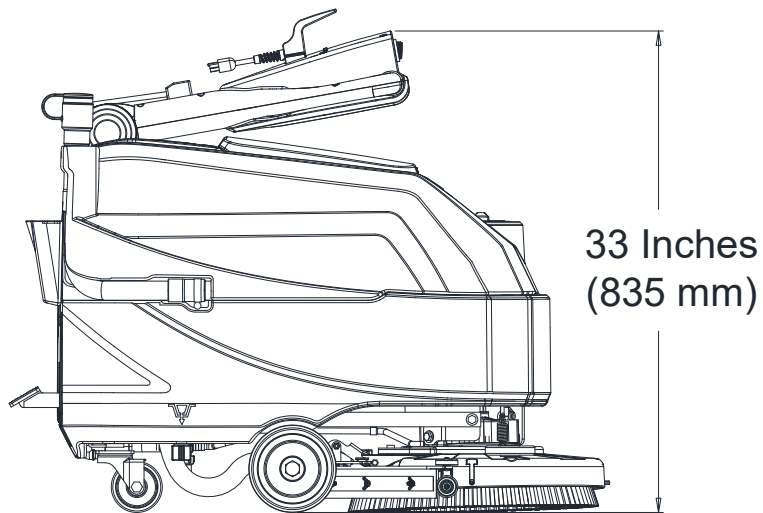
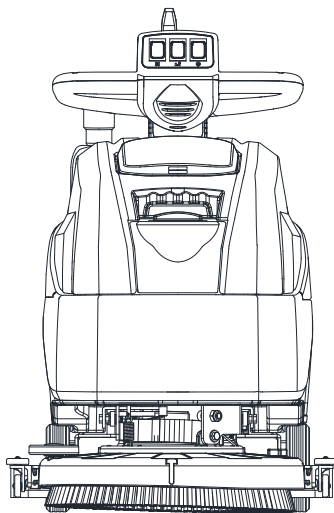
**CONTROL PANEL (as shown in Figure 2)**

1. Power switch
2. Solution switch
3. Vacuum switch



**Figure 2**

**MACHINE SIZE**

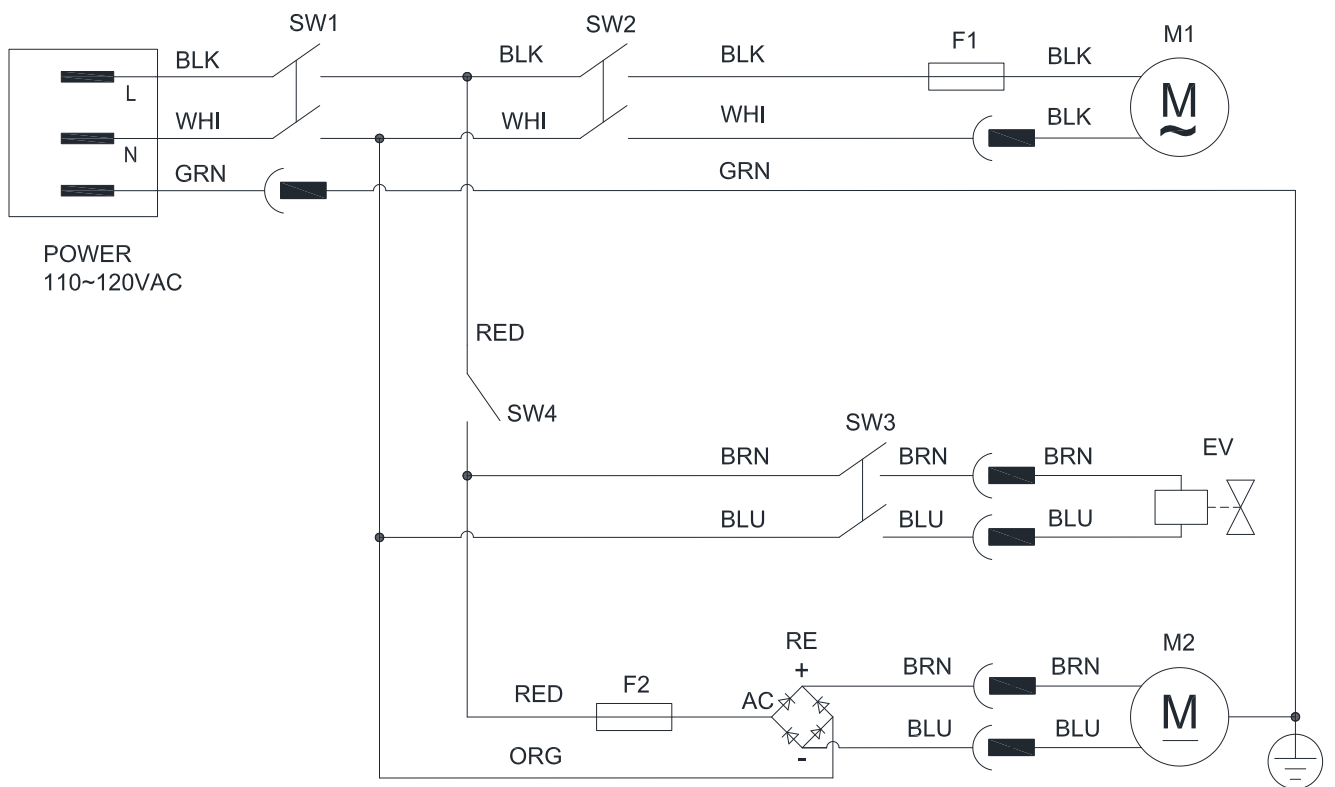


## TECHNICAL PARAMETERS

Parameter Type	Units	Model
		AS4335C-US
Solution tank capacity	L / Gal	35 L / 9.25 Gal.
Recovery tank capacity	L / Gal	35 L / 9.25 Gal.
Machine Length	mm/Inches	933 mm / 36.7 Inches
Machine width with squeegee	mm/Inches	570 mm / 22.4 Inches
Machine width without squeegee	mm/Inches	485 mm / 19.1 Inches
Machine Height (without handle)	mm/Inches	647 mm / 25.5 Inches
Machine Height (with vertical handle)	mm/Inches	1182 mm / 46.5 Inches
Working width	mm/Inches	432 mm / 17 Inches
Driving wheel diameter	mm/Inches	153 mm / 6 Inches
Rear wheel diameter	mm/Inches	89 mm / 3.5 Inches
Brush/Pad diameter	mm/Inches	432 mm / 17 Inches
Brush/Pad pressure (max)	Kg/Lbs.	19 Kg / 41.8 Lbs
Solution Flow (max) per setting	L / Gal per minute	(0.59/0.69/1.11/1.68) Liters (0.16/0.18/0.29/0.44) Gallons
Sound pressure level	dB (A)	69 ± 3 dB (A)
Handle Vibration Level (max)	m/s <sup>2</sup>	< 2.5 m/s <sup>2</sup>
Climbing capacity (max)	% grade	2%
Vacuum motor power	Watt / H.P.	300 W / 0.4 HP
Vacuum capacity	mm/In of H <sub>2</sub> O	900 mm / 35.4 In of H <sub>2</sub> O
Brush motor power	Watt / H.P.	250 Watt / 0.34 HP
Brush speed in normal mode	RPM	170 RPM
IP protection class	IP	IP24
Voltage	AC	110~120 VAC
Productivity (max)	m <sup>2</sup> /h	1720 / 1032 m <sup>2</sup> /h
Machine weight with empty tanks	Kg/Lbs.	64 Kg / 141 Lbs.
Gross Vehicle Weight (GVW)	Kg/Lbs.	99 Kg / 218 Lbs.
Shipping Weight	Kg/Lbs.	92 Kg / 203 Lbs.
Packing dimensions (L x W x H)	mm/Inches	(1130 x 730 x 1040 mm) / (44.5 x 28.7 x 41 Inches)

(\*) : Optional

WIRING DIAGRAM (110-120VAC)



COMPONENTS		COMPONENTS	
SW1	Main Switch	F1	Circuit Breaker 4A
SW2	Vacuum Switch	F2	Circuit Breaker 4A
SW3	Water Switch	M1	Brush Motor
SW4	Handle Switch	M2	Vacuum Motor
EV	Solution Valve	RE	Rectifier

Comment	
1	RED-Red
2	BLK-Black
3	BRN-Brown
4	WHI-white
5	BLU-Blue
6	GRN-Green
7	ORG-Orange

## OPERATING GUIDE

**WARNING!**

On some points of the machine there are some adhesive plates indicating:

- DANGER!
- WARNING!
- CAUTION!
- CONSULTATION

While reading this Manual, the operator must pay particular attention to the symbols shown on the plates. Do not cover these plates for any reason and immediately replace them if damaged.

## BRUSH/PAD-HOLDER INSTALLATION AND REMOVAL

**NOTE**

Install either the brush (A, Figure 3) or pad-holder (B and C, Figure3) according to the type of floor to be cleaned.

**CAUTION!**

Before installation or removal of brush or pad-holder, make sure all the switches on machine are in off position and lifting up the squeegee and the brush/pad-holder deck from the floor. The operator must be equipped with suitable personnel protection devices such as gloves to reduce the risk of accidents.

Proceed as following:

1. Shut off the power switch (39, Figure 2).
2. Lift the deck by pressing the pedal (36, Figure 1).
3. Place the brushes (A, Figure 3) or the pad-holder (B, Figure 3) under the deck (12, Figure 1).
4. Lower the deck on the brushes/pad-holders by pressing the pedal (36, Figure 1).
5. Press the start switch (39, Figure 2).
6. Press one of the Brush/forward gear safety switch lever (2, Figure 1) to engage the brush/pad-holder, then release it. If necessary, repeat the procedure until the brushes/pad-holders are engaged.
7. If Step No.6 above proves to be difficult, use the manual method by turning the brush/pad-holder in the direction opposite to the normal turning direction (ON) to install the brush/pad-holder. (as shown in Figure 3)

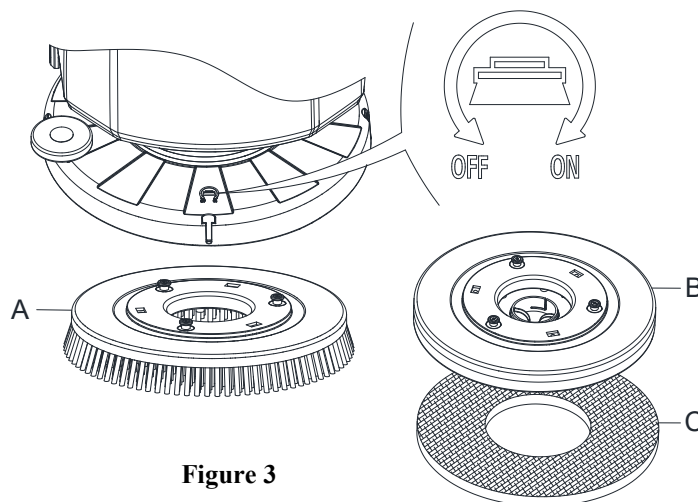


Figure 3

**WARNING!**

To engage the brush/pad-holder press the safety switch lever (2, Figure 1) which turns on the brush/pad-holder motor.

8. To remove the brush/pad-holder lift the deck by pressing the pedal (36, Figure 1), then manual method by turning the brush/pad-holders in the opposite direction (OFF), the brush/pad-holder will be removed.



## SQUEEGEE ASSEMBLE INSTALLATION AND REMOVAL

**CAUTION!**

It is advisable to wear protective gloves when installation and removal the squeegee assemble because there may be sharp debris.

1. Push the machine to a level floor.
2. Ensure that the machine is off.
3. Lower the brush/pad-holder deck (12, Figure 1) by lifting the pedal (36), Brush on the floor.
4. Place squeegee in the place between brush deck and front wheel.
5. Fix stud A to the openg B, then fix another screw C to the open D, fasten squeegee knob and connect recovery water drain hose F to the connector E (Figure 4).
6. Disconnect the squeegee in the reverse order of disassembly.

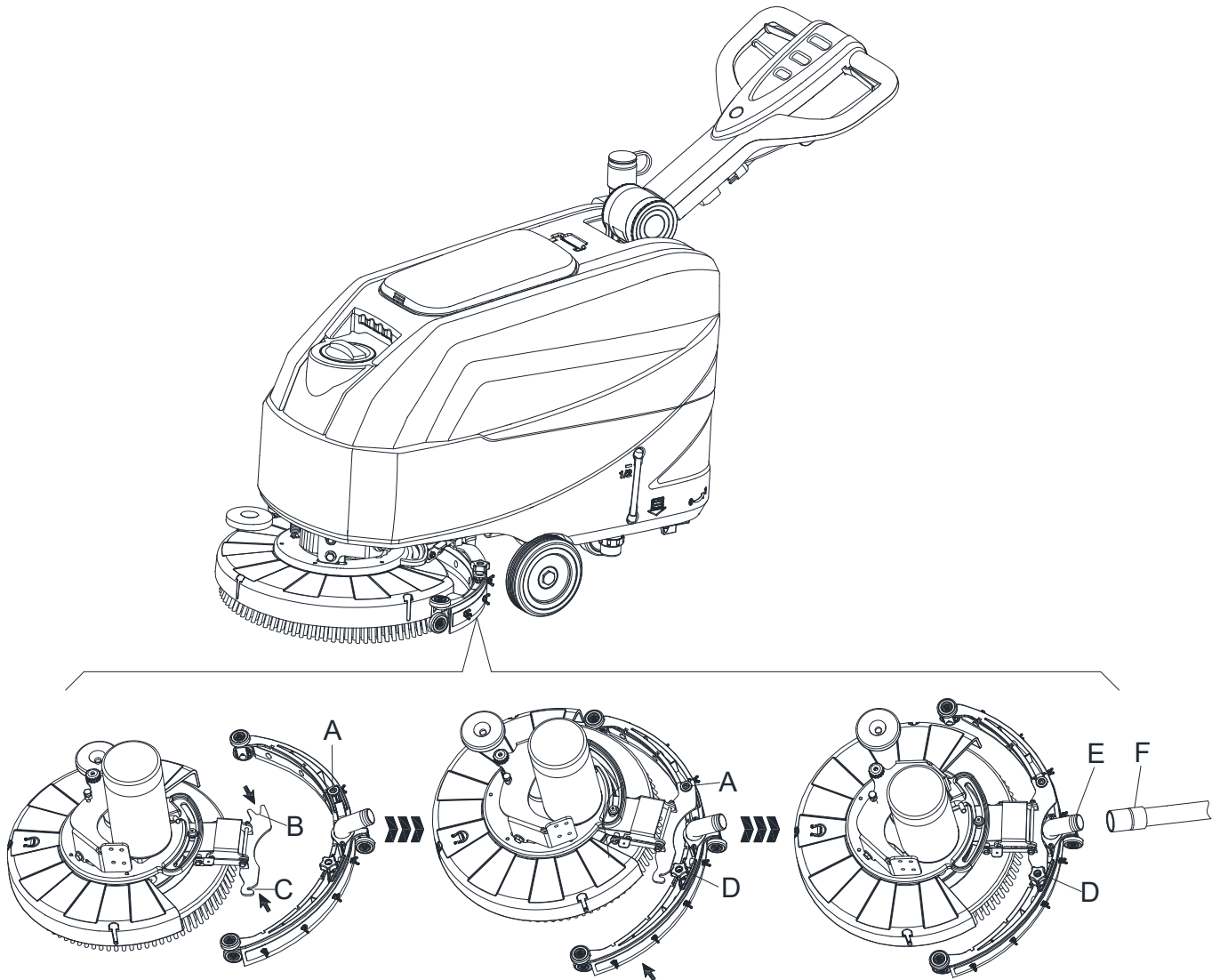


Figure 4

## SOLUTION OR WASHING WATER TANK FILLING

1. Open the water inlet cover (A, Figure 5).
2. Fill with water or solution suitable for work performance.  
The solution temperature must not exceed +104F (+40°C).
3. Do not overfill the tank, refer to water level indicator (B, Figure 5) for the water volume.

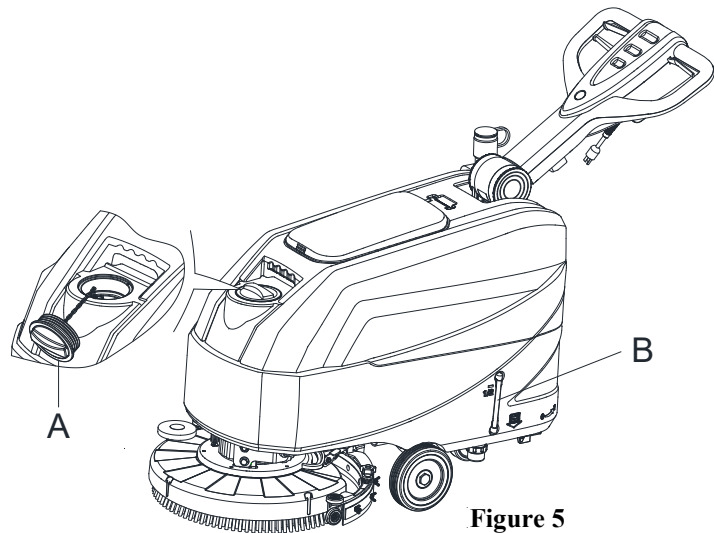


Figure 5



### WARNING!

Use only low-foam and non-flammable detergents, intended for automatic scrubber applications.

## REGULATING WATER FLOW

The volume of the water flow may be adjusted through the ball valve handle (A, Figure 6) according to the amount of water required for your scrubbing application.

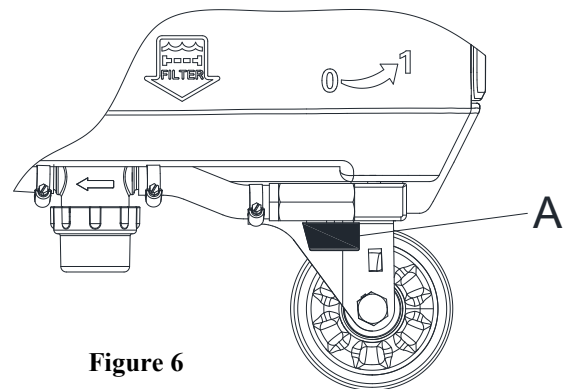


Figure 6



### WARNING!

Regulating the ball valve handle (A, Figure 6) must be done under the condition when the power switch (39, Figure 2) is in the "OFF" position.

## MACHINE START AND STOP

### Starting the machine

1. Prepare the machine as shown in the previous paragraph.
2. Push the machine to the area to be cleaned, by pushing it with the hands on the handlebar (D, Figure 7).
3. Lower the brush/pad-holder deck (I, Figure 7) and the squeegee (H) by lifting the pedal (G).
4. Press the power switch (A, Figure 7) to the "I" position.
5. Press the solution switch (B, Figure 7) to the "I" Position. (Work simultaneously with the safety switch (E) to control the solenoid valve.)
6. Press the vacuum switch (C, Figure 7) to the "I" position.
7. Start cleaning by pushing the machine with the hands on the handlebar (D, Figure 7) and pressing the safety switch lever (E, Figure 7).

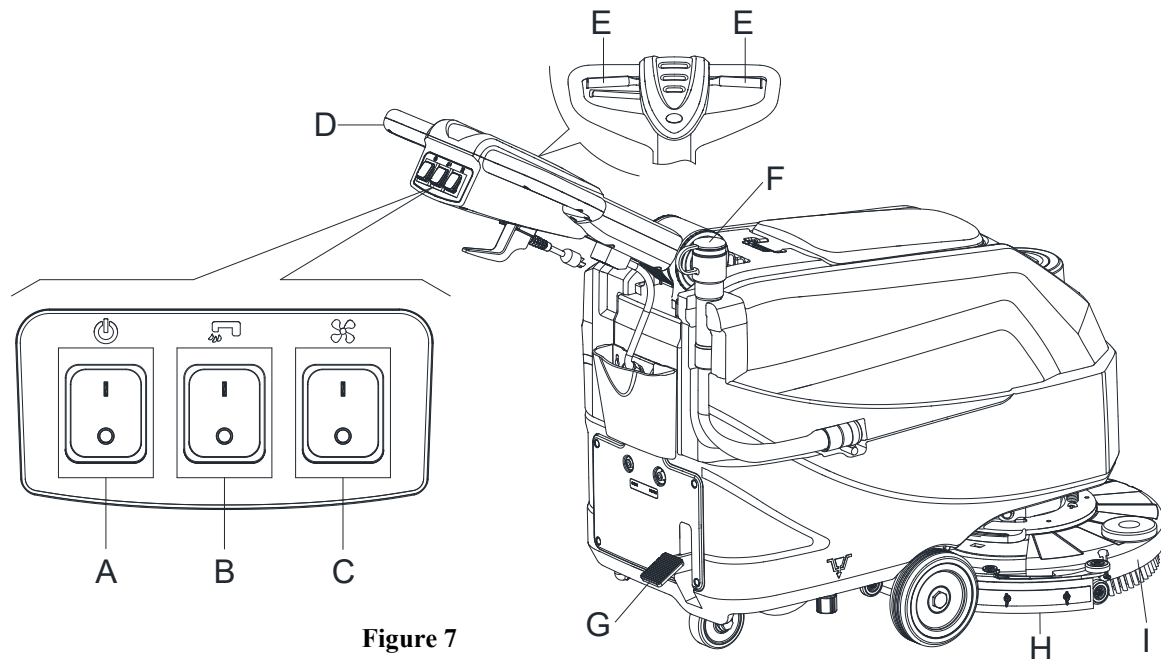


Figure 7

**NOTE**

To move the machine forward, press either the left or right safety switch lever (E, Figure 7) or both.

8. If necessary, press the handlebar adjusting lever (3, Figure 1) to adjusting the handlebar height.
9. If necessary, turn off the machine, and adjust the solution flow with the ball valve handle. (Refer to the steps for adjusting solution flow.)

**CAUTION!**

In order to avoid damaging the floor, when the machine stays in one place without moving, remove hands from switches & turn off the main power switch (A).

**Stopping the machine**

10. Stop the machine by using the handlebar (D, Figure 7).
11. When you have finished using the machine, release the safety switch lever (E) to turn off the brush/pad-holder and solenoid valve.
12. Press the solution control switch (B) to the "OFF" position to completely turn off the solution flow.
13. Press the Vacuum switch (C) to the "OFF" position. The vacuum system stops after a few seconds.
14. Press the power switch (A) to the "OFF" position. And disconnecting the power cord (30, Figure 1) from the power supply.
15. Lift the brush/pad-holder deck (I, Figure 7) and the squeegee (H) by pressing the pedal (G).
16. Make sure that the machine cannot move independently.

**MACHINE OPERATION (SCRUBBING AND DRYING)**

1. Start the machine as shown in previous paragraphs.
2. While keeping both hands on the handlebar press the safety switch lever (E, Figure 7), then maneuver the machine and start scrubbing/drying the floor.
3. If necessary, turn off the machine, and adjust the solution flow with the ball valve handle. (Refer to the steps for adjusting solution flow.)

**NOTE**

For correct scrubbing/drying of floors at the sides of the walls, it is Suggested to go near the walls with the right side of the machine (A and B, Figure 8) as shown in the figure.

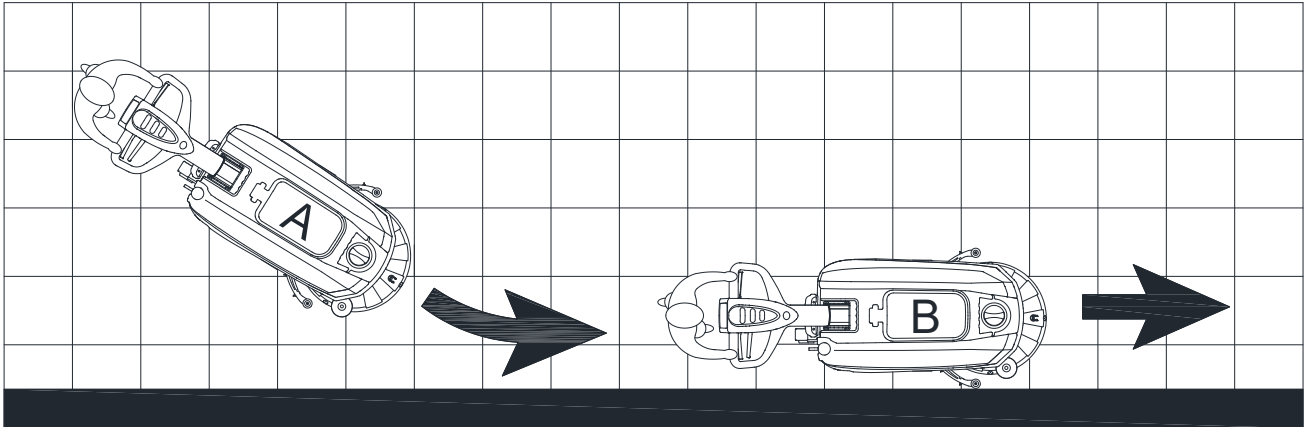


Figure 8

**CAUTION!**

To avoid any damage to the floor surface, turn off the brushes/pad-holders when the machine stops in one place.

**TANK EMPTYING**

An automatic float shut-off system (B, Figure 9) blocks the vacuum system when the recovery water tank (C) is full. The vacuum system deactivation is signaled by a sudden increase in the vacuum system motor noise frequency, also the floor has not dried.

**CAUTION!**

If the vacuum system turns off accidentally (for example, when the float is activated because of a sudden machine movement), to resume the operation: press the power switch (39 and 41) to turn off the power and vacuum system, then open the cover (A, Figure 9) and check that the float inside the grid (B) has gone down to the water level. Then close the cover (A) and press the power switch (39 and 41) turn on the main power and the vacuum system.

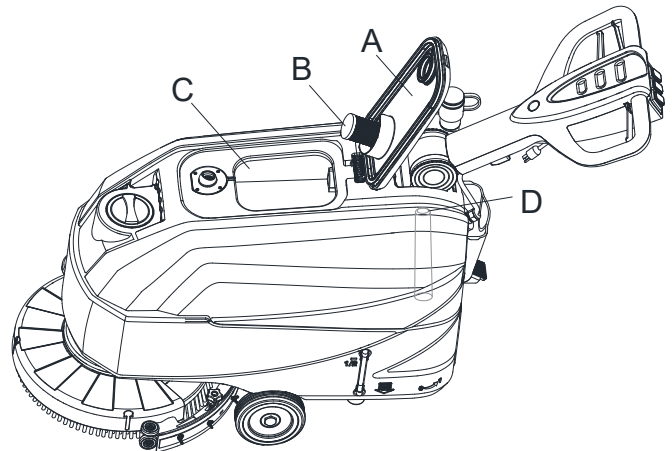


Figure 9

When the recovery water tank (C, Figure 9) is full, empty it according to the following procedure.

**Recovery water tank emptying**

1. Stop the machine.
2. Lift the brush/pad-holder deck (I, Figure 7) and the squeegee (H) by pressing the pedal (G).
3. Push the machine to the appointed disposal area.
4. Empty the recovery water tank with the hose (F, Figure 7). Then, rinse the recovery tank (C, Figure 9) with clean water.
5. Remove the recovery tank lid (A, Figure 9) and clean the inside of the cover and the filter floater grid (B) with clean water.
6. Check the recovery tank (D, Figure 9) whether there is foreign body jam and clean it.

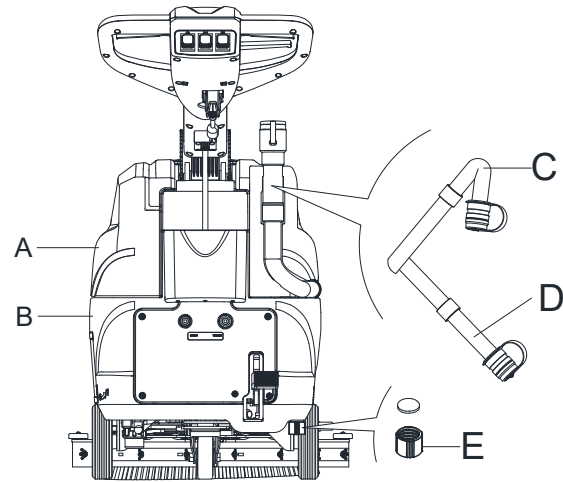


Figure 10

**CAUTION!**

When draining the wastewater, the vacuum tube for waste must be folded (C, Figure 10) and lowered to a lower position (D, Figure 10), and then open the lid of the vacuum tube for waste to drain the water. Do not make the outlet of the vacuum tube for waste face upward to drain the water vertically. This is to avoid wastewater spilling onto the operator.

7. Perform steps 1 to 4.

**Solution/clean water tank emptying**

8. Empty the solution tank with the outlet cover (E, Figure 10). After working, rinse the tank with clean water.

**AFTER USING THE MACHINE**

After working, before leaving the machine:

1. Remove the brushes/pad-holders.
2. Empty the tanks (A and B, Figure 10) as shown in the previous paragraph.
3. Perform the daily maintenance procedures (see the Maintenance chapter).
4. Store the machine in a clean and dry place, with the brushes/ pad-holders and the squeegee lifted or removed.

**MACHINE LONG INACTIVITY**

If the machine is not going to be used for more than 30 days, proceed as follows:

1. Perform the procedures shown in After Using the machine paragraph.
2. Disconnect the main power.

**FIRST PERIOD OF USE**

After the first 8 hours, check the machine fastening and connecting parts for proper tightening and check the visible parts for wear and leakage.

**MAINTENANCE****WARNING!**

Maintenance procedures must be performed after the machine is turned off and the cable is disconnected. In addition, carefully read the safety chapters in the manual.

All scheduled or extraordinary maintenance procedures must be performed by qualified personnel or an authorized Service Center. This manual only describes the general and common maintenance procedures.

SCHEDULED MAINTENANCE TABLE



**CAUTION!**

The procedure marked with (1) must be performed when the machine is used after 9 hours for the first time. The procedure marked with (2) must be done by Service Center that is qualified by our company.

Procedure	Daily, after each use	Weekly	semiannually	Yearly
Squeegee cleaning				
Brush/Pad-holder cleaning				
Tank cleaning				
Tank sealing strip inspection				
Float ball filter cleaning				
Squeegee blade check and replacement				
Cleaning water filter cleaning				
Solution filter cleaning				
Screw and nut tightness inspection			(1)	
Brush/Pad-holder carbon brush check or replacement				(2)
Suction motor carbon brush check or replacement				(2)

**BRUSH/PAD CLEANING**



**CAUTION!**

It is advisable to use protective gloves when cleaning the brush/pad because there may be sharp debris.

1. Remove the brush/pad from the machine, as shown in the Use chapter.
2. Clean and wash the brush/pad with water and detergent.
3. Check that the brushes/pads are in working condition and not excessively worn; if necessary replace them.

**SOLUTION FILTER CLEANING**

1. Pushing the machine on a level floor.
2. Ensure that the machine is off.
3. Emptying the solution tank (Advice).
4. Remove the cover (D, Figure 11), then remove the filter strainer (C). Clean and install them on the support (A).



**NOTE**

The filter strainer (C, Figure 11) must be correctly positioned on the housing (E) of the support (A).

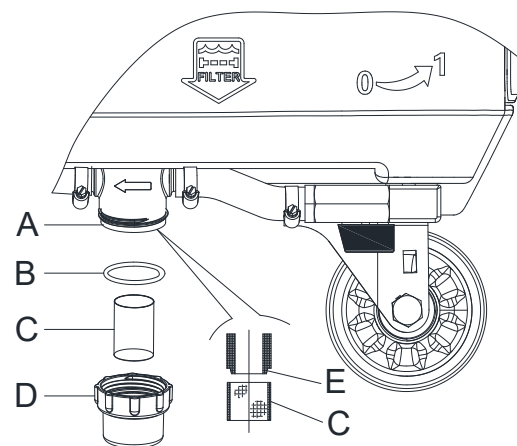


Figure 11

## SQUEEGEE CLEANING

**NOTE**

The squeegee must be clean and its blades must be in good conditions in order to get a good drying.

**CAUTION!**

It is advisable to wear protective gloves when cleaning the squeegee because there may be sharp debris.

1. Push the machine to a level floor.
2. Ensure that the machine is off.
3. Lower the brush/pad-holder deck (I, Figure 7) and the squeegee (H) by lifting the pedal (G).
4. Disconnect the vacuum hose (B, Figure 12) from the squeegee connector (C).
5. Loosen the knobs (D) and remove the squeegee (E).
6. Clean the steel or the plastic squeegee (E, Figure 12). Clean the compartments (I) and the hole (H) especially. Check the front blade (F) and the rear blade (G) for integrity, cuts and tears; if necessary replace them (see the procedure in the following paragraph).
7. Assemble the squeegee in the reverse order of disassembly.

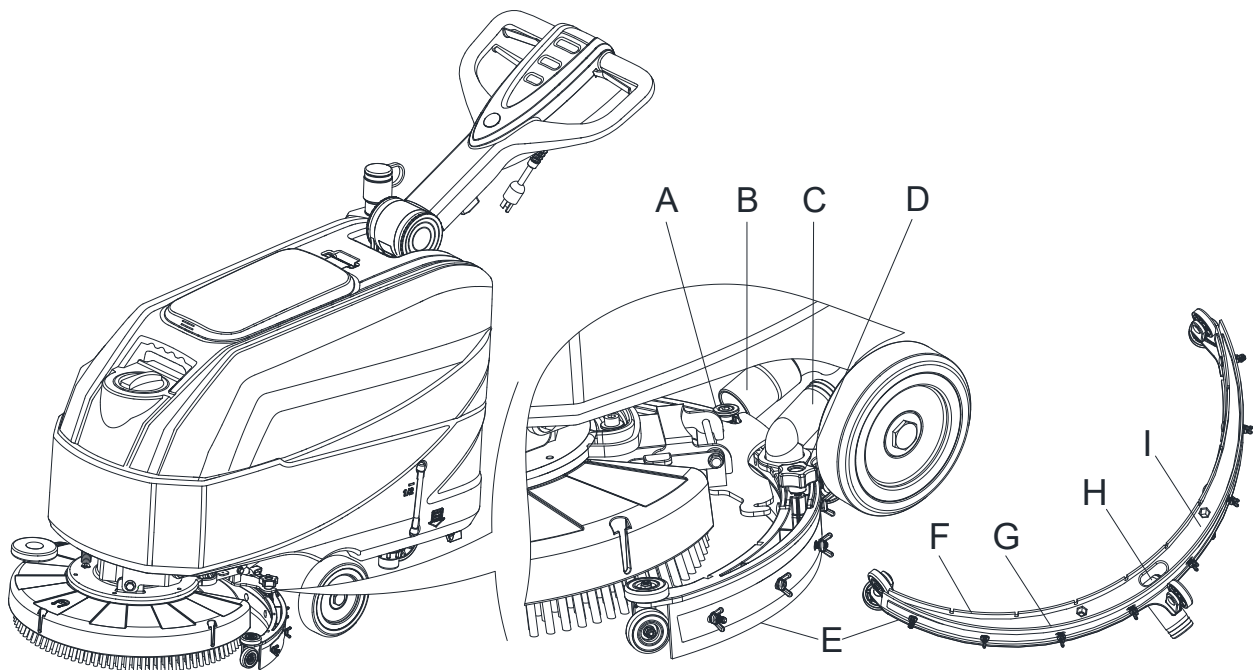


Figure 12



**SQUEEGEE BLADE CHECK AND REPLACEMENT**

1. Clean the steel or the plastic squeegee, as shown in the previous paragraph.
2. Check that the edges (E, Figure 13) of the front blade (A) and the edges (F) of the rear blade (C) lay down on the same level, along their length; if necessary adjust their height according to the following procedure:
  - Loosen the all wing nuts (J) and adjust the front blade (A) and rear blade (C), then tighten the all wing nuts.
3. Check the front blade (A) and rear blade (C) for wear, cuts and tears; if necessary replace them according to the following procedure. Check that the front corner (E) or the rear corner (F) is not worn; if necessary, overturn the blade to replace the worn corner with an integral one. If the other corners are worn too, replace the blade according to the following procedure:
  - Remove the all wing nuts (J) and the screw (K), remove the retaining strip (B), then replace/overturn the front blade (A). Assemble the blade in the reverse order of disassembly.
  - Remove the all wing nuts (J) and the screw (K), remove the retaining strip (D), then replace/overturn the rear blade (C). Assemble the blade in the reverse order of disassembly. After the blade replacement (or overturning), assemble the squeegee as shown in the previous step.
4. Install the squeegee (E, Figure 12) and screw down the knobs (D, Figure 12), as shown in the previous paragraph.
5. Connect the vacuum hose (B, Figure 12) to the squeegee (C, Figure 12).

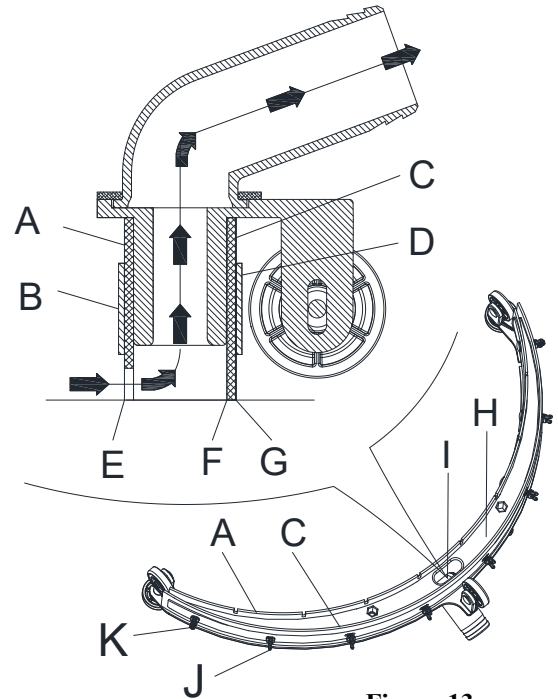


Figure 13

**TANK AND VACUUM GRID WITH FLOAT CLEANING, AND COVER GASKET CHECK**

1. Push the machine to a level floor.
2. Ensure that the machine is off.
3. Turn the recovery tank lid (A, Figure 14) 90degree position where it can be taken off from the recovery tank, and then take out the float ball filter (B) from the recovery tank lid.
4. Clean the recovery tank lid (A), recovery tank (C), clean solution tank (D) and the float ball filter (B). Empty the recovery tank with the drain hose (D, Figure 10).
5. Install the float ball filter (B) and the recovery tank lid (A).
6. Inspect the integrity of the tank sealing strip.

**NOTE**

**The tank sealing strip (E) produces the vacuum inside the tank when the vacuum motor works. The tank must be sealed so it can effectively absorb the water from the ground to recovery tank.**

7. Check whether the contact surface of sealing strip (E) has integrity and sealing is sufficient. If necessary, take the sealing strip of the tank out of the groove (F) and replace it. Assemble the new sealing strip as shown in (Figure 14), the joint should be back in the middle area.
8. Close the recovery tank lid (A).



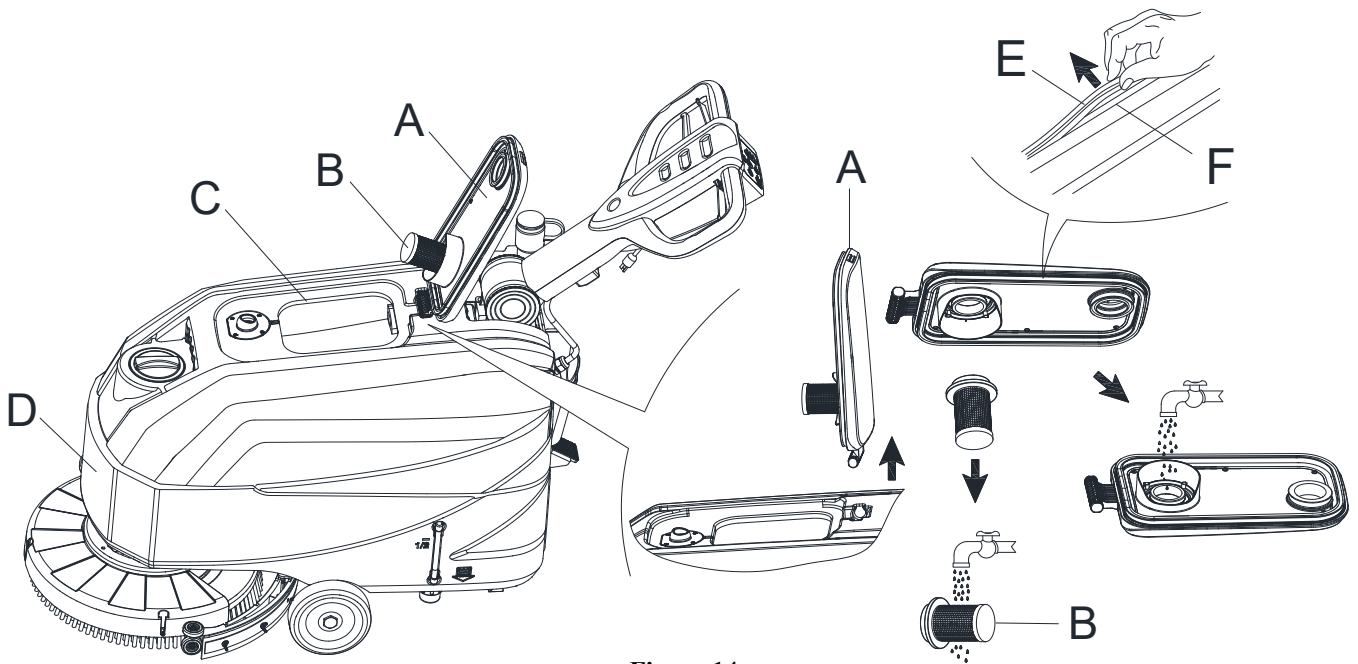


Figure 14

### ACCESSORIES/OPTIONS

In addition to the standard components, the machine can be equipped with the following accessories/options, according to the machine specific use:

For further information concerning the above-mentioned optional accessories, contact an authorized Retailer.

### ACCESSORIES/OPTIONS

See "Parts List" section

1. Pads of different materials.
2. Brush of different materials.
3. Squeegee blades of different materials.

**TROUBLESHOOTING**

Trouble	Probable causes	Remedy
Machine not working	The wiring not connected correctly or bad wiring.	Check the wiring or contact distributor.
	Carbon brush worn out.	Contact distributor.
Vacuum motor not working.	The wiring not connected correctly or bad wiring.	Check the wiring or contact distributor.
	Bad vacuum motor.	Contact distributor.
The recovery water vacuuming is insufficient.	The recovery water tank is full.	Empty the tank.
	The hose is disconnected from the squeegee.	Connect.
	The vacuum grid is clogged or the float is stuck closed.	Clean the grid or check the float.
	The squeegee is dirty or the squeegee blades are worn or damaged.	Clean and check the squeegee.
	The tank cover is not properly closed, or the gasket is damaged, or the Bend tube is clogged.	Close the cover correctly, or replace the gasket or clean the Bend tube.
	The recovery water tank is dirty.	Clean.
The solution flow to the brushes is insufficient.	The solution/clean water filter is dirty.	Clean the filter.
	The ball valve does not open.	Regulating the ball valve handle.
	Bad ball valve.	Contact distributor.
	Bad solution valve.	Contact distributor.
The squeegee leaves marks on the floor.	There are debris under the squeegee blades.	Remove the debris.
	The squeegee blades are worn, chipped or torn.	Replace the blades.

**SCRAPPING**

Scrap the machine by the qualified waste treatment institution.

Before the machine is scrapped, please take away and segregate below subassembly that relevant laws and regulations request must be disposed in appropriate way.

- Brush/Pad-holder.
- Plastic hose and plastic parts.
- Electrical and electronic components. (\*)

(\*) Please contact our company service center destroying any electrical and electronic components.

**Machine material composition and recyclability**

Type	Recyclable percentage	AS4335C weight percentage%
Aluminium	100%	2%
Electric motors-various	29%	23%
Ferrous materials	100%	32%
Wiring harness	80%	1%
Liquids	100%	0%
Plastic-non-recyclable material	0%	1%
Plastic-recyclable material	100%	38%
Rubber	20%	3%

## TABLE DES MATIÈRES

<b>INTRODUCTION</b> .....	<b>22</b>
BUT ET CONTENU DU GUIDE .....	22
COMMENT CONSERVER CES INSTRUCTIONS D'UTILISATION.....	22
DÉCLARATION DE CONFORMITÉ.....	22
ACCESSOIRES ET ENTRETIEN.....	22
CHANGEMENT ET AMÉLIORATION.....	22
CHAMP D'APPLICATION .....	22
DONNÉES D'IDENTIFICATION DE LA MACHINE .....	22
TRANSPORT ET DÉBALLAGE .....	23
<b>SÉCURITÉ</b> .....	<b>23</b>
SYMBOLES VISIBLES SUR LA MACHINE.....	23
SYMBOLES UTILISÉS DANS LES INSTRUCTIONS D'UTILISATION.....	23
CONSIGNES GÉNÉRALES DE SÉCURITÉ .....	24
<b>DESCRIPTION DE LA MACHINE</b> .....	<b>26</b>
STRUCTURE DE LA MACHINE (comme représenté sur la Figure 1) .....	26
PANNEAU DE COMMANDE (comme représenté sur la Figure 2).....	27
DIMENSIONS DE LA MACHINE .....	27
CARACTERISTIQUES TECHNIQUES .....	28
SCHÉMA DE CÂBLAGE (120VCA).....	29
<b>GUIDE D'UTILISATION</b> .....	<b>30</b>
INSTALLATION ET RETRAIT DE LA TÊTE DE LAVAGE.....	30
POSE ET DÉPOSE DE L'ENSEMBLE RACLOIR.....	31
REMPLISSAGE DU RÉSERVOIR AVEC UNE SOLUTION OU DE L'EAU DE LAVAGE .....	32
RÉGULATION DU DÉBIT D'EAU .....	32
DÉMARRAGE/ARRÊT DE LA MACHINE.....	32
FONCTIONNEMENT DE LA MACHINE (BROSSAGE ET SÉCHAGE).....	33
VIDANGE DU RÉSERVOIR .....	34
APRÈS UTILISATION DE LA MACHINE.....	35
LONGUE INACTIVITÉ DE LA MACHINE .....	35
PREMIÈRE PÉRIODE D'UTILISATION .....	35
<b>ENTRETIEN</b> .....	<b>35</b>
CALENDRIER D'ENTRETIEN PROGRAMME .....	36
NETTOYAGE DE LA BROSSE/DU DISQUE .....	36
NETTOYAGE DU FILTRE DE SOLUTION.....	36
NETTOYAGE DE L'EMBOUCHURE .....	37
VÉRIFICATION ET REMPLACEMENT DE LA LAMELLE DE L'EMBOUCHURE.....	38
NETTOYAGE DU RÉSERVOIR ET DE LA GRILLE D'ASPIRATION AVEC LE FLOTTEUR, VÉRIFICATION DU	
JOINT DE COUVERCLE .....	38
ACCESSOIRES/OPTIONS.....	39
<b>DÉPANNAGE</b> .....	<b>40</b>
<b>RECYCLAGE</b> .....	<b>40</b>

## INTRODUCTION



### REMARQUE

Les chiffres entre parenthèses renvoient aux éléments présentés dans le chapitre Description de la Machine.

## BUT ET CONTENU DU GUIDE

Le but de ces instructions d'utilisation est de fournir à l'opérateur toutes les informations de base et les caractéristiques techniques, les conditions de fonctionnement, d'inactivité, les pièces détachées et les conditions de sécurité de la machine, etc.

Avant d'effectuer toute opération sur la machine, les opérateurs et les techniciens qualifiés doivent lire les Instructions d'utilisation. Contacter notre société en cas de doutes concernant l'interprétation des instructions ou pour toute information complémentaire.

## COMMENT CONSERVER CES INSTRUCTIONS D'UTILISATION

Les instructions d'utilisation doivent être conservées près de la machine, dans une pochette spéciale, à l'écart des liquides et d'autres substances susceptibles de l'abîmer.

## DÉCLARATION DE CONFORMITÉ

La déclaration de conformité est fournie avec la machine et certifie la conformité de la machine rapport à la loi en vigueur.



### REMARQUE

Les copies de la déclaration originale de conformité sont fournies avec la documentation de la machine.

## ACCESSOIRES ET ENTRETIEN

Toutes les opérations nécessaires, des procédures d'entretien et de réparation doivent être effectuées par un personnel qualifié ou par le centre d'entretien désigné de notre société. SEULS les pièces détachées et les accessoires autorisés devraient être utilisés.

Contactez le service à la clientèle de notre société pour tout service ou achat d'accessoires ou pièces détachées si nécessaire.

## CHANGEMENT ET AMÉLIORATION

Nous nous engageons à l'amélioration continue de nos produits. La société se réserve le droit de modifier et d'améliorer la machine sans informations supplémentaires.

## CHAMP D'APPLICATION

L'autolaveuse s'applique à l'usage commercial et industriel. Elle convient pour le nettoyage de sols lisses et pleins et doit être manipulée par une personne qualifiée dans des conditions de sécurité. Elle ne convient pas pour une utilisation en extérieur ou pour le nettoyage de la moquette ou des revêtements de sol rugueux.

## DONNÉES D'IDENTIFICATION DE LA MACHINE

Le numéro de série et le nom du modèle de la machine sont indiqués sur l'étiquette de série.

Ces informations sont utiles. Utiliser le tableau suivant pour noter les données d'identification de la machine, lors de communication nécessitant des pièces de rechange pour la machine.

MODÈLE DE MACHINE.....
NUMÉRO DE SÉRIE DE LA MACHINE.....

**TRANSPORT ET DÉBALLAGE**

Lorsque le transporteur livre la machine, s'assurer que l'emballage et la machine sont à la fois intacts et en bon état. En cas de dommages, en informer le transporteur avant d'accepter les marchandises et réservez-vous le droit à compensation pour les dommages.

Suivre attentivement les instructions sur l'emballage, lors du déballage de la machine.

Vérifier l'emballage pour assurer que les éléments suivants sont inclus :

1. Documentation technique, y compris instructions d'utilisation et liste des pièces.

**SÉCURITÉ**

Les symboles suivants indiquent les situations potentiellement dangereuses. Toujours lire attentivement ces informations et prendre toutes les précautions nécessaires pour protéger les personnes et les biens.

**SYMBOLES VISIBLES SUR LA MACHINE****AVERTISSEMENT !**

Lire toutes les instructions avec attention avant d'effectuer toute opération sur la machine.

**AVERTISSEMENT !**

Ne pas laver la machine avec des jets d'eau directs ou sous pression.

**AVERTISSEMENT !**

Ne pas utiliser la machine sur des pentes dont l'inclinaison dépasse les indications du chapitre des spécifications.

**SYMBOLES UTILISÉS DANS LES INSTRUCTIONS D'UTILISATION****DANGER !**

Cela indique une situation dangereuse avec risque de mort pour l'opérateur.

**AVERTISSEMENT !**

Cela indique un risque potentiel de blessure pour les personnes.

**ATTENTION !**

Cela indique un avertissement ou une remarque concernant des fonctions importantes ou utiles. Prêter l'attention aux paragraphes marqués par ce symbole.

**REMARQUE**

Cela indique une remarque sur des fonctions importantes ou utiles.

**CONSULTATION**

Ceci indique la nécessité de se référer aux instruction d'utilisation avant d'entreprendre toute procédure.

**CONSIGNES GÉNÉRALES DE SÉCURITÉ**

Les avertissements et les mises en garde spécifiques, pour informer des dommages potentiels aux personnes et à la machine, sont indiqués ci-dessous.

**DANGER !**

- Cette machine doit être exploitée par du personnel qualifié et autorisé selon les conseils du manuel.
- Avant d'effectuer toute opération de nettoyage, d'entretien, de réparation ou de remplacement, lisez attentivement toutes les instructions, veillez à éteindre la machine et à débrancher la prise de son réceptacle.
- Ne pas faire fonctionner la machine à proximité de poudres, vapeurs ou liquides toxiques, dangereux, inflammables et/ou explosifs. Cette machine ne convient pas pour la collecte des poudres dangereuses.
- Ne pas porter de bijoux, lorsque l'on travaille à proximité de composants électriques.
- Ne pas travailler sous la machine soulevée sans qu'elle soit supportée par des béquilles de sécurité.

**AVERTISSEMENT !**

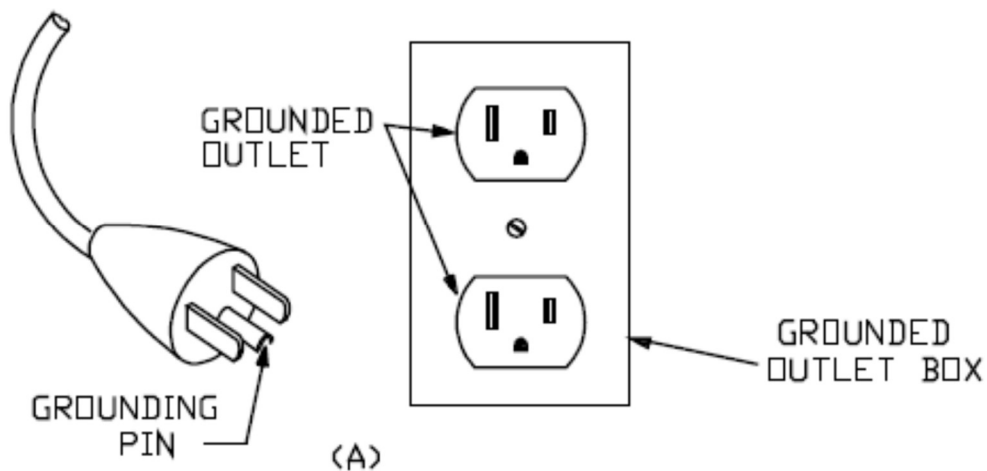
- Cette machine est conçue pour l'USAGE COMMERCIAL, par exemple dans des hôtels, des écoles, des hôpitaux, des usines, des magasins, des bureaux et des entreprises de propreté.
- Les machines laissées sans surveillance seront bloquées afin d'empêcher tout mouvement involontaire.
- Afin de prévenir un usage non autorisé de la machine, la source d'alimentation sera commutée ou verrouillée, par exemple en enlevant la clé du commutateur principal ou la clé de contact.
- Inspecter attentivement la machine avant chaque utilisation. Veiller à ce que tous les composants aient été bien assemblés avant l'utilisation. Les éléments lâches peuvent causer des dommages aux personnes et aux biens.
- Ne jamais déplacer la machine en tirant sur le câble. Veillez à ce que le câble ne soit pas endommagé par une fermeture de porte ou des coins à angle aigu. Éloignez le câble des surfaces chaudes.
- Pour réduire le risque d'incendie, de choc électrique ou de blessure, s'assurer que la machine est éteinte avant de partir.
- Utiliser ou stocker la machine en intérieur dans des conditions sèches. Il est interdit de l'utiliser en extérieur.
- La température de stockage et de travail doit être comprise entre 0 °C et +40 °C, l'humidité de l'air doit être comprise entre 30% et 95%.
- Ne pas utiliser la machine sur des pentes dont l'inclinaison dépasse les spécifications.
- Lors de l'utilisation et de la manipulation de détergents de nettoyage de sols, suivre les instructions des étiquettes des bouteilles de détergent et porter des gants et de protection appropriés.
- Utiliser les brosses et les supports de disque fournis avec la machine ou définis dans le manuel. L'utilisation d'autres brosses ou support de disque pourrait diminuer la sécurité.
- En cas de mauvais fonctionnements de la machine, veiller à ce qu'ils ne soient pas dus à un manque d'entretien. Si nécessaire, demander l'assistance du personnel autorisé ou d'un centre d'entretien agréé.
- Prendre toutes les précautions nécessaires pour empêcher les cheveux, les bijoux et les vêtements amples d'être retenus par des pièces en mouvement de la machine.
- Ne pas utiliser la machine dans des endroits particulièrement poussiéreux.
- Ne pas laver la machine avec des jets d'eau directs ou sous pression, ou avec des substances corrosives.
- Ne pas heurter d'étagères ou d'échafaudages, en particulier lorsqu'il y a un risque de chute d'objets.
- Ne pas poser de récipients contenant des liquides sur la machine, utiliser le porte-gobelet prévu à cet effet.
- Pour éviter d'endommager le sol, ne pas laisser la brosse/le disque fonctionner alors que la machine est à l'arrêt.
- En cas d'incendie, utiliser un extincteur à poudre. Ne pas utiliser les extincteurs liquides.
- Ne pas enlever ou modifier les autocollants de la machine.
- Ne pas modifier les dispositifs de sécurité de la machine et suivez scrupuleusement les instructions d'entretien prévu.
- Faire attention pendant le transport de la machine, si la température est sous le point de congélation. L'eau, dans le réservoir de récupération et dans les tuyaux pourrait geler et causer de sérieux dommages à la machine.
- Si les pièces détachées doivent être remplacées, commander les pièces détachées D'ORIGINE auprès d'un concessionnaire agréé.
- Ramener la machine au centre d'entretien, si elle ne fonctionne pas comme d'habitude ou si elle est endommagée, placée à l'extérieur ou si elle est tombée dans l'eau.

- Pour assurer un fonctionnement adéquat et sécurisé de la machine, l'entretien prévu indiqué dans le chapitre respectif de ce manuel, doit être effectué par le personnel autorisé ou un centre d'entretien agréé.
- La machine doit être correctement jetée, étant donné la présence de matières toxiques soumises à des normes qui exigent l'élimination dans des centres spéciaux (voir le chapitre Mise au rebut).
- Cette machine est un outil de nettoyage qui ne doit pas être utilisé à d'autres fins.
- Toujours veiller à ce que les ouvertures soient libres de poussière, poils et tout autre corps étranger qui pourrait réduire le flux d'air. Ne pas utiliser la machine si les ouvertures sont bouchées.
- Utiliser la machine à condition de disposer d'un éclairage adapté.
- Cette machine n'est pas conçue pour être utilisée par des personnes (y compris des enfants) avec des facultés physiques, sensorielles ou mentales réduites, ou manquant d'expérience et de connaissances.
- Une attention particulière est nécessaire lorsqu'elle est utilisée à proximité d'enfants.
- Les enfants doivent être surveillés afin de s'assurer qu'ils ne jouent pas avec la machine.
- Tout en utilisant cette machine, prendre soin de ne pas causer de dommages aux personnes ou aux objets se trouvant aux alentours.
- Le nettoyage et l'entretien réservés à l'utilisateur ne doivent pas être confiés à des enfants sans surveillance.
- Les opérateurs doivent être formés correctement à l'utilisation de ces machines.

### Instruction de mise à la terre

Cette machine doit être mise à la terre pendant son utilisation afin de protéger l'opérateur contre les chocs électriques. La machine est munie d'une fiche à trois contacts de mise à la terre pour s'adapter à la prise de mise à la terre appropriée.

Cet appareil est destiné à être utilisé sur un circuit nominal de 120 V et a une fiche de mise à la terre qui ressemble à la fiche illustrée à la Figure A. Assurez-vous que l'appareil est branché à une prise de courant ayant la même configuration que la fiche. Aucun adaptateur ne doit être utilisé avec cet appareil.



**DESCRIPTION DE LA MACHINE****STRUCTURE DE LA MACHINE (comme représenté sur la Figure 1)**

- |   |   |
|---|---|
| 1. Poignée                                    | 22. Filtre de solution  |
| 2. Levier d'interrupteur de sécurité          | 23. Roues avant   |
| 3. Levier de réglage de guidon                | 24. Ensemble d'embouchure                                       |
| 4. Tuyau de vidange de l'eau de récupération  | 25. Support de disque   |
| 5. Couvercle du réservoir de récupération     | 26. Panneau de commande   |
| 6. Capot pour eau douce                       | 27. Plaque signalétique/ données techniques                     |
| 7. Chaîne de retenue de capot                 | 28. Support du câble d'alimentation                             |
| 8. Col du tuyau de remplissage                | 29. Cordon en queue de cochon                                   |
| 9. Réservoir de récupération                  | 30. Cordon d'alimentation 20m                                   |
| 10. Réservoir de la solution                  | 31. Boîte de pièces d'accessoire (*)                            |
| 11. Roue tampon de tête de brosse             | 32. Commutateur de réinitialisation du système d'aspiration     |
| 12. Tête de lavage                            | 33. Commutateur de réinitialisation du système de brosse        |
| 13. Brosse/support disque                     | 34. Étiquette du commutateur de réinitialisation                |
| 14. Brosse                                    | 35. Couvercle du boîtier électrique                             |
| 15. Jupe (*)                                  | 36. Pédale de levage/d'abaissement de la tête de lavage         |
| 16. Poignée de levage de l'embouchure         | c) Position de la pédale lorsque la tête de lavage est abaissée |
| 17. Molettes de l'embouchure                  | d) Position de la pédale lorsque la tête de lavage est relevée  |
| 18. Tuyau de vidange de l'eau de récupération | 37. Roue à pivot  |
| 19. Tuyau du levier de solution               | 38. Bouchon de vidange  |
| 20. Vanne à bille                             |   |
| 21. Électrovanne                              |   |

(\*) : Options

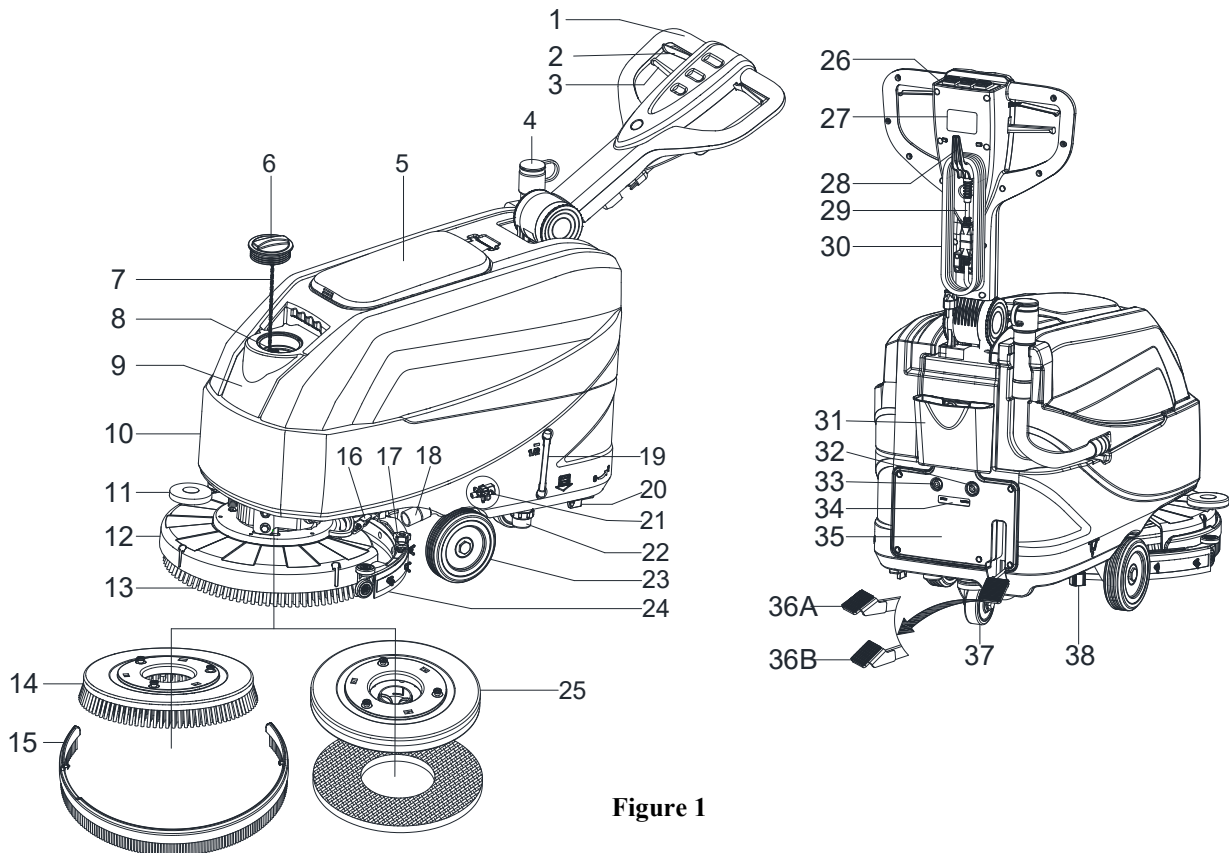
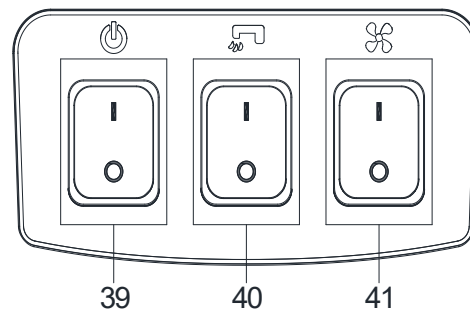
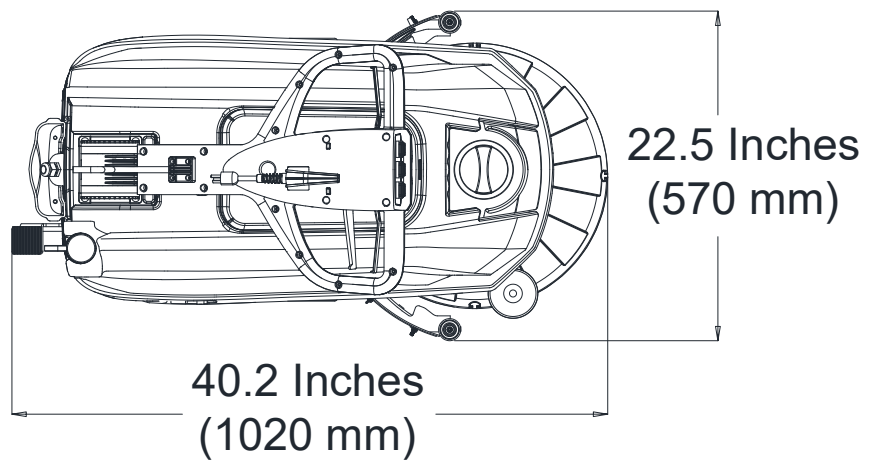
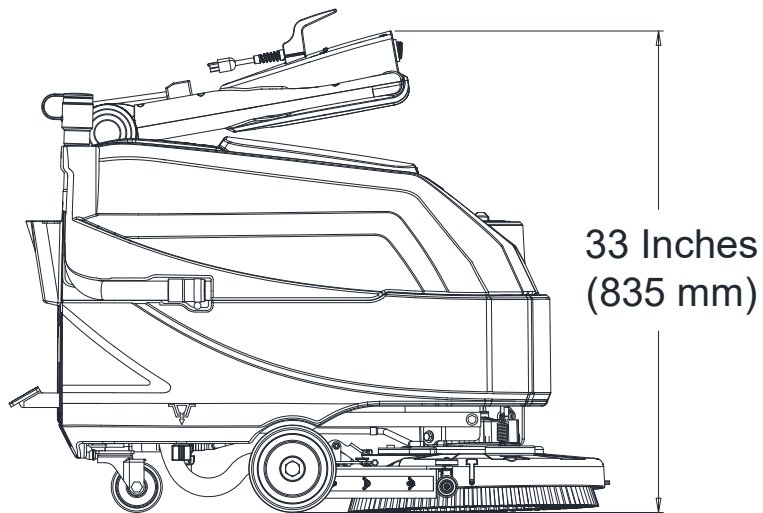
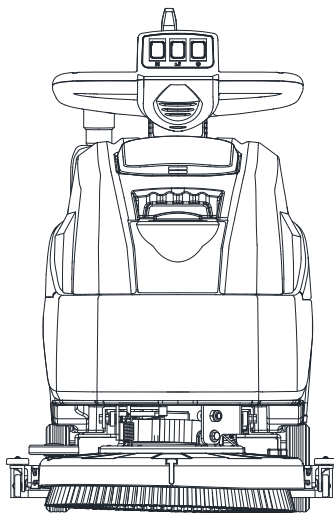


Figure 1



**PANNEAU DE COMMANDE (comme représenté sur la Figure 2)**

- 39. Interrupteur électrique
- 40. Interrupteur de solution
- 41. Interrupteur d'aspiration

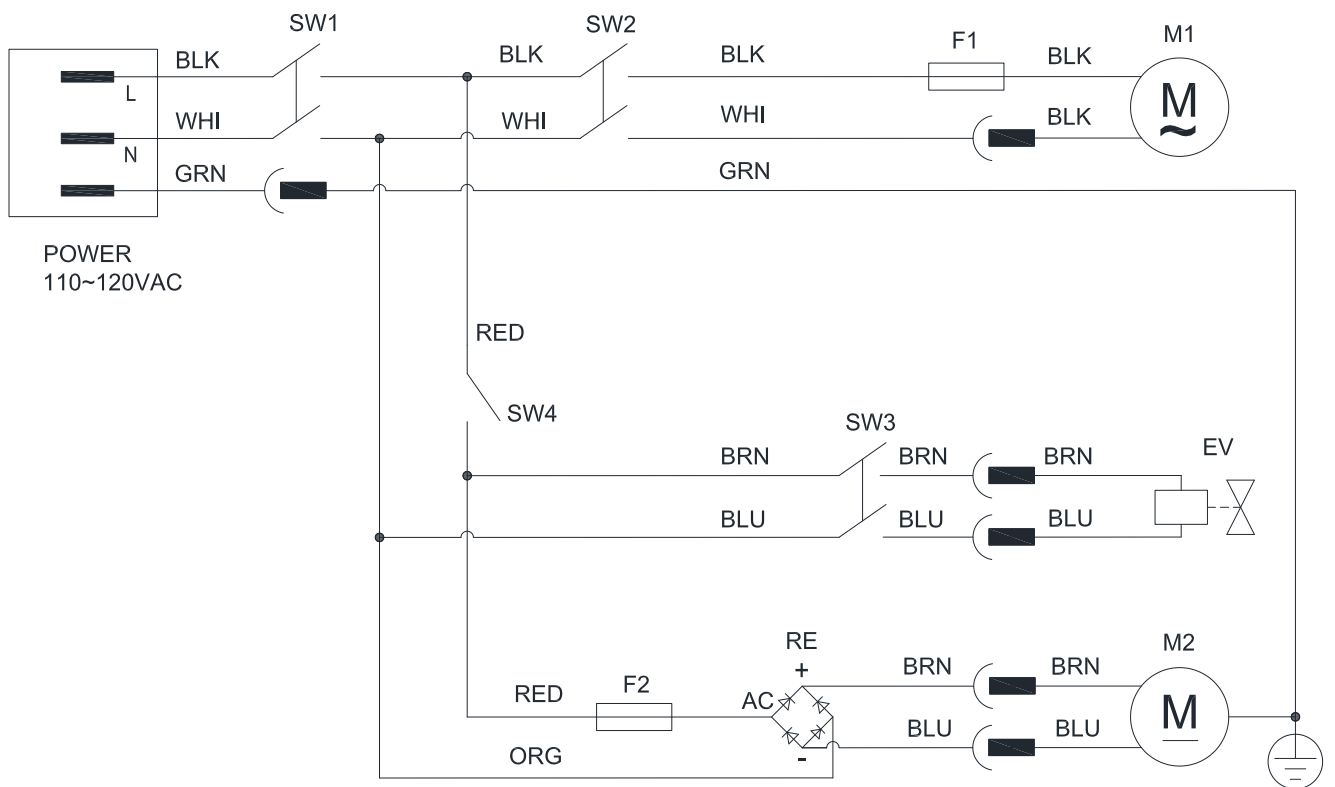
**Figure 2****DIMENSIONS DE LA MACHINE**

## CARACTERISTIQUES TECHNIQUES

Type de paramètre	Unités	Modèle
		AS4335C-US
Capacité du réservoir de solution	L / Gal	35 l / 9,25 Gal.
Capacité du réservoir de récupération	L / Gal	35 l / 9,25 Gal.
Longueur de la machine	mm/pouces	933 mm/36,7 pouces
Largeur de la machine avec embouchure	mm/pouces	570 mm/22,4 pouces
Largeur de la machine sans embouchure	mm/pouces	485 mm/19,1 pouces
Hauteur de la machine (sans les poignées)	mm/pouces	647 mm/25,5 pouces
Hauteur de la machine (avec poignée verticale)	mm/pouces	1182 mm/46,5 pouces
Largeur de travail	mm/pouces	432 mm/17 pouces
Diamètre des roues motrices	mm/pouces	153 mm/6 pouces
Diamètre roue arrière	mm/pouces	89 mm/3,5 pouces
Diamètre de la brosse/disque	mm/pouces	432 mm/17 pouces
Pression de la brosse/disque (max)	kg/lbs.	19 Kg / 41,8 Lbs
Débit de solution (max) pour réglage	L/gal par minute	(0,59/0,69/1,11/1,68) litres (0,16/0,18/0,29/0,44) gallons
Niveau de pression acoustique	dB (A)	69 ± 3 dB (A)
Niveau de vibration de la poignée (max)	m/s <sup>2</sup>	< 2,5 m/s <sup>2</sup>
Pente admissible (max)	% degré	2 %
Puissance du moteur d'aspiration	Watt / CV	300 W / 0,4 CV
Capacité d'aspiration	mm/In de H <sub>2</sub> O	900 mm/ 35,4 In de H <sub>2</sub> O
Puissance du moteur de la brosse	Watt / CV	250 Watt / 0,34 CV
Vitesse de brosse en mode normal	Tr/min	170 tr/min
Indice de protection IP	IP	IP24
Tension	CA	110~120 VAC
Productivité (max)	m <sup>2</sup> /h	1720 / 1032 m <sup>2</sup> /h
Poids de la machine avec les réservoirs vides	kg/lbs.	64 Kg / 141 Lbs.
Masse totale en charge (MTC)	kg/lbs.	99 Kg / 218 Lbs.
Poids d'expédition	kg/lbs.	92 Kg / 203 Lbs.
Dimensions de l'emballage (L x l x h)	mm/pouces	(1130 x 730 x 1040 mm) / (44.5 x 28.7 x 41 pouces)

(\*) : Options

SCHÉMA DE CÂBLAGE (110-120VAC)



COMPONENTS		COMPONENTS	
SW1	Main Switch	F1	Circuit Breaker 4A
SW2	Vacuum Switch	F2	Circuit Breaker 4A
SW3	Water Switch	M1	Brush Motor
SW4	Handle Switch	M2	Vacuum Motor
EV	Solution Valve	RE	Rectifier

Comment	
1	RED-Red
2	BLK-Black
3	BRN-Brown
4	WHI-white
5	BLU-Blue
6	GRN-Green
7	ORG-Orange

## GUIDE D'UTILISATION

**AVERTISSEMENT !**

En certains endroits de la machine il y a des plaques adhésives indiquant :

- DANGER !
- AVERTISSEMENT !
- ATTENTION !
- CONSULTATION

En lisant ce manuel, l'opérateur doit prêter une attention particulière aux symboles figurant sur les plaques. Ne pas couvrir ces plaques pour une raison quelconque et les remplacer immédiatement en cas de détérioration.

## INSTALLATION ET RETRAIT DE LA TÊTE DE LAVAGE

**REMARQUE**

Installer soit la brosse (A, Figure 3) ou le support de disque (B et C, Figure 3) selon le type de sol à nettoyer.

**ATTENTION !**

Avant l'installation ou la désinstallation de la tête de lavage, vérifiez que tous les interrupteurs de la machine sont en position d'arrêt et que la raclette et la tête de lavage se soulèvent du sol. L'opérateur doit être doté de dispositifs de protection personnels appropriés tels que des gants, afin de réduire le risque d'accidents.

Procéder comme suit :

1. Mettez l'interrupteur d'alimentation hors tension (39, Figure 2).
2. Soulevez la plate-forme en appuyant sur la pédale (36, Figure 1).
3. Placez les brosses (A, Figure 3) ou le support de disque (B, Figure 3) sous le plateau (12, Figure 1).
4. Abaissez le plateau sur les têtes de lavage en appuyant sur la pédale (36, Figure 1).
5. Appuyez sur l'interrupteur de démarrage (39, Figure 2).
6. Appuyez sur l'un des leviers du commutateur de sécurité de la brosse/marche avant (2, Figure 1) pour engager la tête de lavage, puis relâchez-le. Si nécessaire, répéter la procédure jusqu'à ce que les brosses/les supports de disque sont engagés.
7. Si l'étape n° 6 ci-dessus s'avère difficile, utilisez la méthode manuelle en tournant la tête de lavage dans la direction opposée au sens de rotation normal (ON) pour installer la tête de lavage (comme indiqué à la Figure 3).

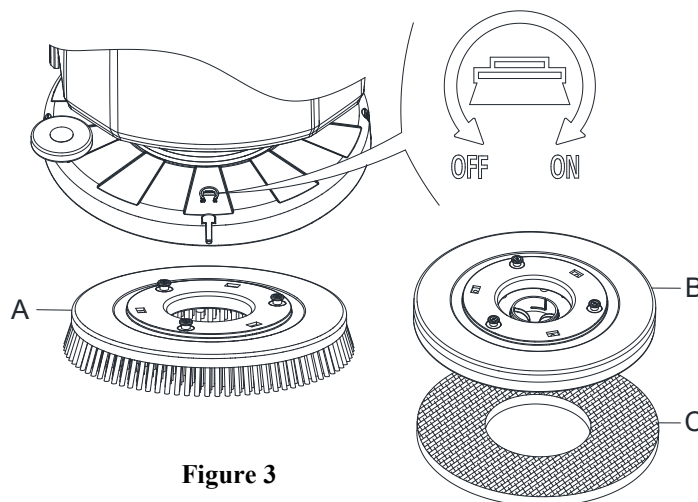


Figure 3

**AVERTISSEMENT !**

Pour engager la tête de lavage, appuyez sur le levier du commutateur de sécurité (2, Figure 1) qui allume le moteur de tête de lavage.

8. Pour retirer la tête de lavage, soulevez la plate-forme en appuyant sur la pédale (36, Figure 1), puis utilisez la méthode manuelle en tournant les têtes de lavage dans le sens opposé (OFF) puis retirez la tête de lavage.

**POSE ET DÉPOSE DE L'ENSEMBLE RACLOIR****ATTENTION !**

Il est conseillé de porter des gants de protection lors de l'installation et de la dépose du racloir car il peut y avoir des débris tranchants.

1. Pousser la machine sur un sol plat.
2. Vérifiez que la machine est arrêtée.
3. Abaissez la tête de lavage (12, Figure 1) en soulevant la pédale (36), la brosse sur le sol.
4. Placer la raclette entre la brosse et la roue avant.
5. Fixez le goujon A sur l'ouverture B, puis fixez une autre vis C sur l'ouverture D, serrez le bouton de la raclette et branchez le flexible de vidange d'eau de récupération F au connecteur E (Figure 4).
6. Débranchez la raclette dans l'ordre inverse du démontage.

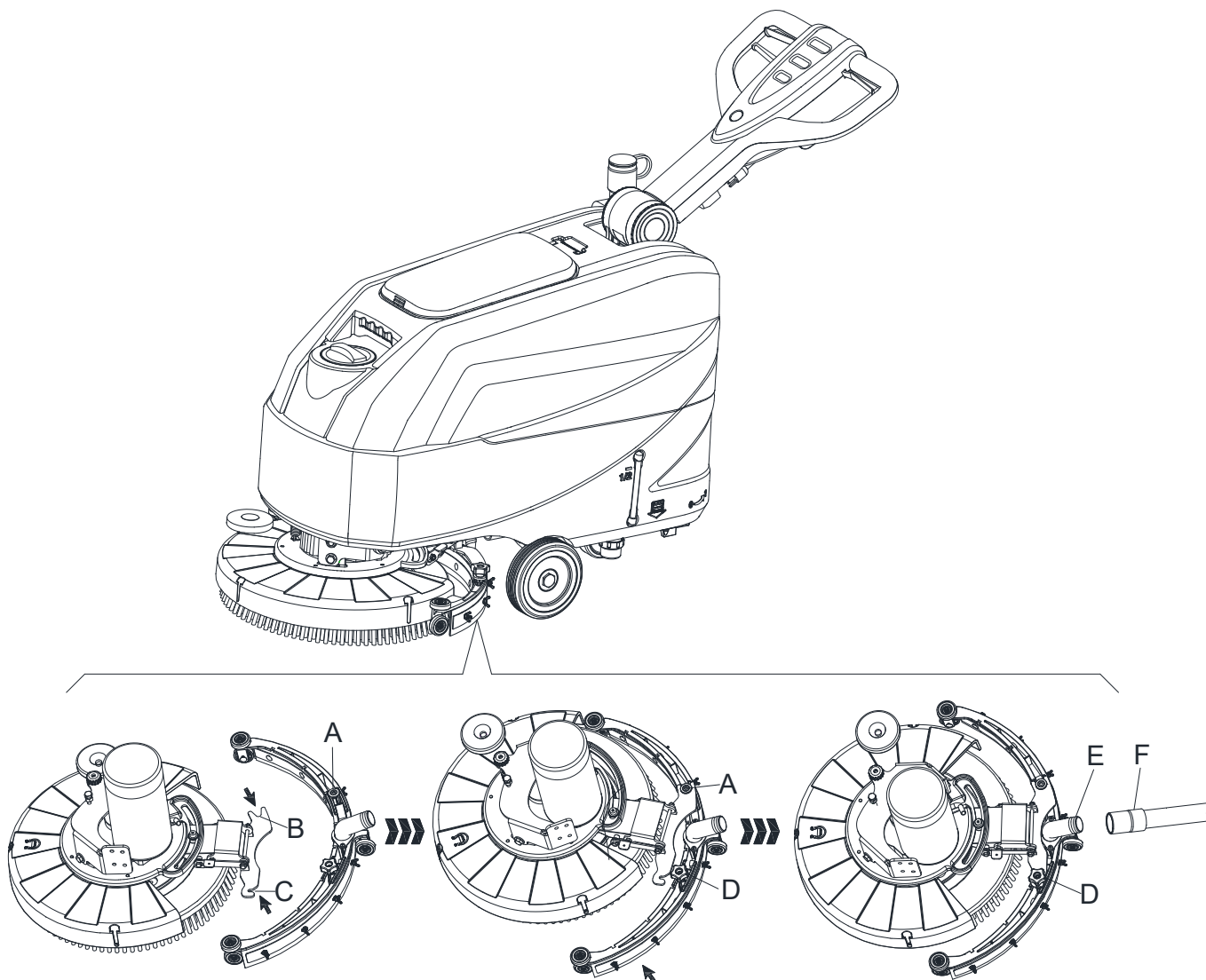


Figure 4

## REPLISSAGE DU RÉSERVOIR AVEC UNE SOLUTION OU DE L'EAU DE LAVAGE

1. Ouvrez le couvercle d'entrée d'eau (A, Figure 5).
2. Remplir d'eau ou de solution adaptée au travail.  
La température de la solution ne doit pas dépasser +104 °F (+40 °C).
3. Ne remplissez pas trop le réservoir, et surveillez l'indicateur de niveau d'eau (B, Figure 5) pour connaître le volume d'eau.

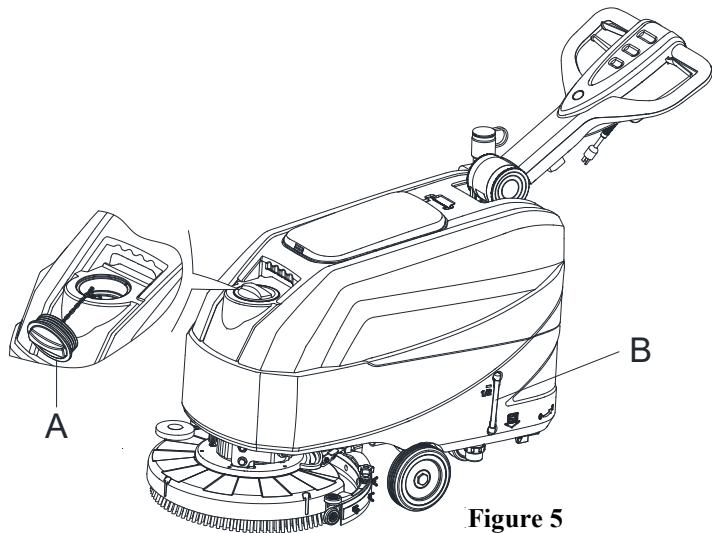


Figure 5



### AVERTISSEMENT !

Utiliser uniquement des détergents à faible pouvoir moussant et non-inflammables, qui sont destinés à des applications à l'autolaveuse.

## RÉGULATION DU DÉBIT D'EAU

Le volume du débit d'eau peut être réglé à l'aide de la poignée du clapet à bille (A, Figure 6) en fonction de la quantité d'eau requise pour le nettoyage.

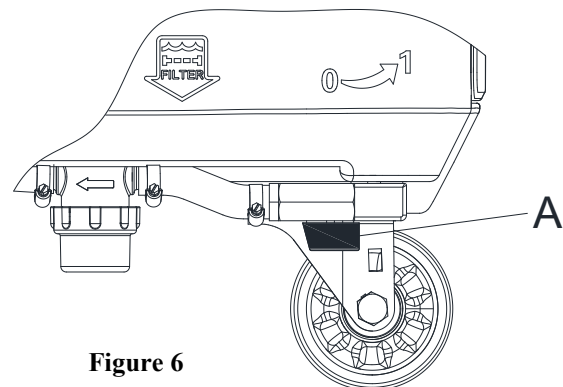


Figure 6



### AVERTISSEMENT !

La régulation de la poignée du clapet à bille (A, Figure 6) doit s'effectuer à condition que l'interrupteur d'alimentation (39, Figure 2) soit en position "OFF".

## DÉMARRAGE/ARRÊT DE LA MACHINE

### Démarrage de la machine

1. Préparer la machine comme indiqué dans le paragraphe précédent.
2. Poussez la machine jusqu'à la zone à nettoyer en laissant les mains sur le guidon (D, Figure 7).
3. Abaissez la tête de lavage (I, Figure 7) et la raclette (H) en soulevant la pédale (G).
4. Appuyez sur le commutateur d'alimentation (A, Figure 7) pour le mettre en position "I".
5. Appuyez sur le commutateur de solution (B, Figure 7) pour le mettre en position "I". (Travaillez simultanément avec le contacteur de sécurité (E) pour commander l'électrovanne.)
6. Appuyez sur le commutateur d'aspiration (C, Figure 7) pour le mettre en position "I".
7. Commencez le nettoyage en poussant la machine avec les mains sur le guidon (D, Figure 7) et en appuyant sur le levier du contacteur de sécurité (E, Figure 7).

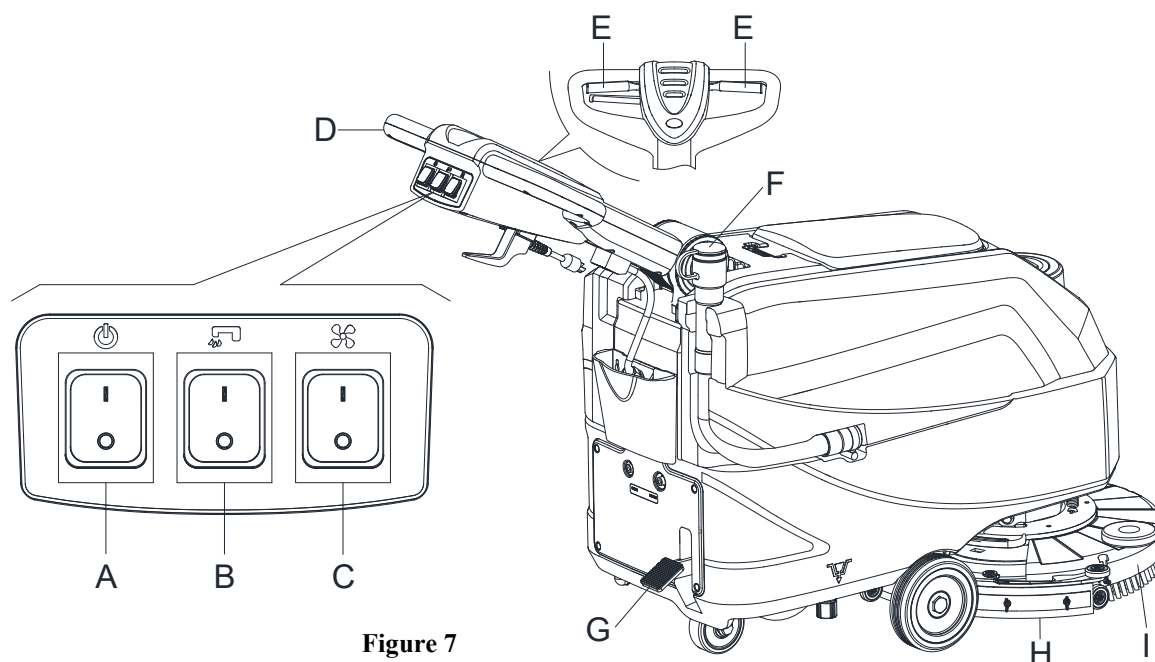


Figure 7

**REMARQUE**

Pour déplacer la machine vers l'avant, appuyez sur le levier du contacteur de sécurité gauche ou droit (C, schéma 7) ou les deux.

8. Si nécessaire, appuyez sur le levier de réglage du guidon (3, Figure 1) pour régler sa hauteur.
9. Si nécessaire, arrêtez la machine et réglez le débit de la solution à l'aide de la poignée du clapet à bille. (Se reporter aux étapes de réglage du débit de solution.)

**ATTENTION !**

Pour éviter d'endommager le sol, lorsque la machine reste dans un endroit sans bouger, retirez les mains des interrupteurs et coupez l'interrupteur d'alimentation principal (A).

**Arrêt de la machine**

10. Arrêtez la machine à l'aide du guidon (D, Figure 7).
11. Lorsque vous avez fini d'utiliser la machine, relâchez le levier du contacteur de sécurité (E) pour éteindre la tête de lavage et l'électrovanne.
12. Appuyez sur le contacteur de commande de solution (B) en position "OFF" pour couper complètement le débit de solution.
13. Appuyez sur le commutateur d'aspiration (C) en position "OFF". Le système d'aspiration s'arrête au bout de quelques secondes.
14. Appuyez sur le commutateur d'alimentation (A) pour le mettre en position "OFF". Et débranchez le cordon d'alimentation (30, Figure 1) du bloc d'alimentation.
15. Levez la tête de lavage (I, Figure 7) et la raclette (H) en appuyant sur la pédale (G).
16. S'assurer que la machine ne peut pas bouger de façon indépendante.

**FONCTIONNEMENT DE LA MACHINE (BROSSAGE ET SÉCHAGE)**

1. Démarrer la machine, comme indiqué dans les paragraphes précédents.
2. Tout en gardant les deux mains sur le guidon, appuyez sur le levier du contacteur de sécurité (E, Figure 7), puis manœuvrez la machine et commencez à laver/sécher le sol.
3. Si nécessaire, arrêtez la machine et réglez le débit de la solution à l'aide de la poignée du clapet à bille. (Se reporter aux étapes de réglage du débit de solution.)

**REMARQUE**

Pour un nettoyage/séchage correct des sols sur les côtés des murs, il est conseillé de le faire par le côté droit de la machine (A et B, Figure 8) comme illustré sur la figure.

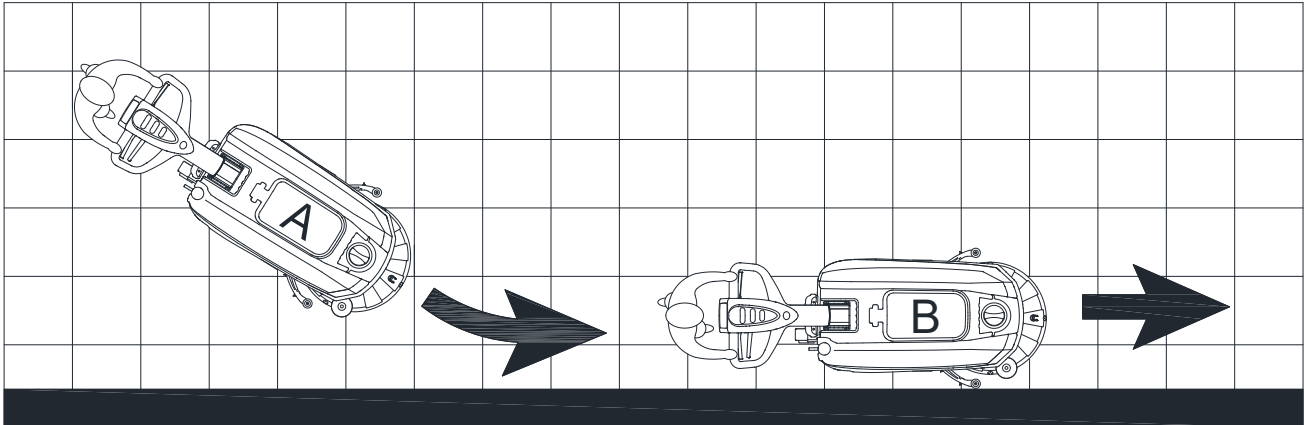


Figure 8

**ATTENTION !**

Pour éviter tout dommage à la surface du sol, éteindre la brosse/le support de disque lorsque la machine s'arrête en un point, en particulier lorsque la fonction de pression supplémentaire est activée.

**VIDANGE DU RÉSERVOIR**

Un système automatique de fermeture à flotteur (B, Figure 9) bloque le système d'aspiration lorsque le réservoir d'eau de récupération (C) est plein. La désactivation du système d'aspiration est indiquée par une augmentation soudaine de la fréquence du bruit du moteur du système d'aspiration, le sol aussi ne sera pas sec.

**ATTENTION !**

Si le système d'aspiration s'éteint accidentellement (par exemple, lorsque le flotteur est activé en raison d'un mouvement soudain de la machine), pour reprendre l'opération : mettez hors tension la machine et le système d'aspiration en appuyant sur l'interrupteur (39 et 41), puis ouvrez le capot (A, Figure 9) et vérifiez que le flotteur à l'intérieur de la grille (B) est descendu jusqu'au niveau d'eau. Fermez ensuite le capot (A) et appuyez sur l'interrupteur d'alimentation (39 et 41) pour remettre l'alimentation principale et le système d'aspiration sous tension.

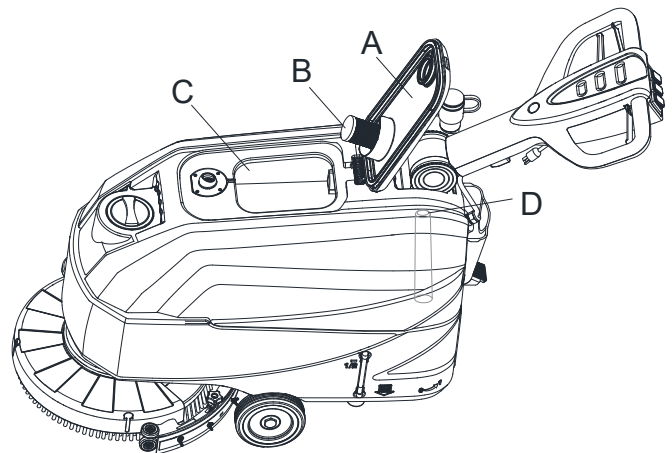


Figure 9

Lorsque le réservoir d'eau de récupération (C, Figure 9) est plein, le vider selon la procédure suivante.



**Vider le réservoir d'eau récupération**

1. Arrêter la machine.
2. Levez la tête de lavage (I, Figure 7) et la raclette (H) en appuyant sur la pédale (G).
3. Poussez la machine jusqu'à la zone de rangement désignée.
4. Videz le réservoir d'eau de récupération à l'aide du flexible (F, Figure 7). Ensuite, rincez le réservoir de récupération (C, Figure 9) à l'eau claire.
5. Retirez le couvercle du réservoir de récupération (A, Figure 9) et nettoyez l'intérieur du couvercle et la grille du flotteur du filtre (B) à l'eau propre.
6. Vérifiez si le réservoir de récupération (D, Figure 9) présente un corps étranger et nettoyez-le.

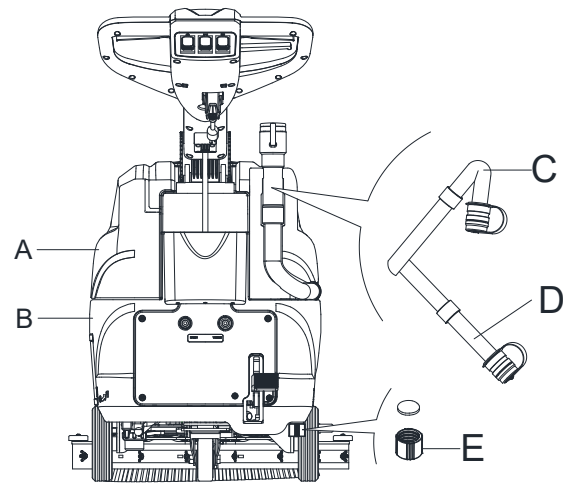


Figure 10

**ATTENTION !**

Lors de la vidange des eaux usées, le tube d'aspiration des déchets doit être replié (C, Figure 10) et abaissé en position inférieure (D, Figure 10), puis ouvrez le couvercle du tube d'aspiration des déchets pour vidanger l'eau. Ne pas orienter vers le haut le tuyau de vidange, afin de drainer l'eau à la verticale. Ceci afin d'éviter que les eaux usées se déversent sur l'opérateur.

7. Effectuez les étapes 1 à 4.

**Vidange du réservoir de solution/d'eau propre**

8. Videz le réservoir de solution avec le couvercle de sortie (E, Figure 10). Après avoir travaillé, rincer le réservoir avec de l'eau propre.

**APRÈS UTILISATION DE LA MACHINE**

Après utilisation, avant de ranger la machine :

1. Retirez les têtes de lavage.
2. Videz les réservoirs (A et B, Figure 10) comme indiqué au paragraphe précédent.
3. Effectuer les procédures d'entretien quotidien (voir le chapitre d'entretien).
4. Ranger la machine dans un endroit propre et sec, avec les brosses/supports de disque et l'embouchure soulevés ou retirés.

**LONGUE INACTIVITÉ DE LA MACHINE**

Si la machine n'est pas utilisée pendant plus de 30 jours, procéder comme suit :

1. Effectuer les procédures indiquées dans le paragraphe « Après utilisation de la machine ».
2. Coupez l'alimentation électrique.

**PREMIÈRE PÉRIODE D'UTILISATION**

Après les 8 premières heures, vérifier le serrage de la machine et les pièces de liaison pour un serrage correct et vérifier les pièces visibles pour l'usure et les fuites.

**ENTRETIEN****AVERTISSEMENT !**

Les procédures d'entretien doivent être effectuées après que la machine a été éteinte et le câble débranché. En outre, lire attentivement les chapitres de sécurité dans le Manuel.

Toutes les procédures de maintenance programmées ou extraordinaires doivent être effectuées par un personnel qualifié ou un centre d'entretien agréé. Ce manuel ne décrit que les procédures d'entretien générales et communes.

## CALENDRIER D'ENTRETIEN PROGRAMME

**ATTENTION !**

La procédure, indiquée avec (1), doit être effectuée lorsque la machine est utilisée après 9 heures pour la première fois. La procédure indiquée par (2) doit être effectuée par le Centre de service qualifié par notre société.

Procédure	Quotidien, après chaque utilisation	Chaque semaine	Semestriellement	Chaque année
Nettoyage de l'embouchure				
Nettoyage de la brosse/du support de disque				
Nettoyage du réservoir				
Inspection du joint de couvercle du réservoir				
Nettoyage du filtre à flotteur				
Vérification et remplacement de la lamelle de l'embouchure				
Nettoyage du filtre à eau				
Nettoyage du filtre de solution				
Inspection du serrage des vis et écrous			(1)	
Vérification ou remplacement des charbons du moteur de brosse				(2)
Vérification ou remplacement des charbons du moteur d'aspiration				(2)

## NETTOYAGE DE LA BROSSE/DU DISQUE

**ATTENTION !**

Il est conseillé de porter des gants de protection lors du nettoyage de la brosse/disque, car il peut y avoir des débris pointus.

1. Retirer la brosse/disque de la machine, tel qu'indiqué au chapitre Utilisation.
2. Nettoyez et lavez la tête de lavage avec de l'eau et du détergent.
3. Contrôler que les brosses/disques sont en bon état et pas trop usés ; le cas échéant, les remplacer.

## NETTOYAGE DU FILTRE DE SOLUTION

1. Poussez la machine sur un sol plat.
2. Vérifiez que la machine est arrêtée.
3. Vidange du réservoir de solution (Conseils).
4. Retirez le couvercle (D, Figure 11), puis retirez la crépine du filtre (C). Les nettoyer et les remettre sur le support (A).

**REMARQUE**

La crépine du filtre (C, Figure 11) doit être bien positionnée sur le boîtier (E) du support (A).

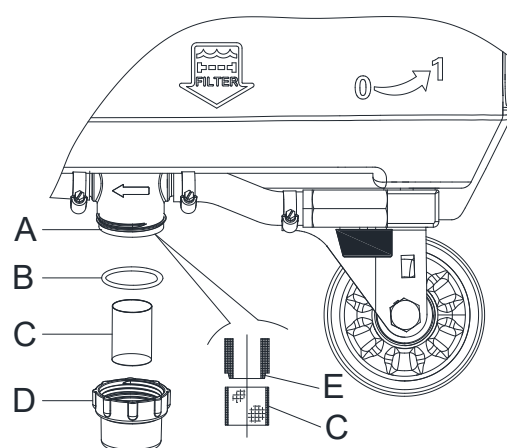


Figure 11

## NETTOYAGE DE L'EMBOUCHURE

**REMARQUE**

La raclette doit être propre et ses lames doivent être en bon état pour obtenir un bon séchage.

**ATTENTION !**

Il est conseillé de porter des gants de protection lors du nettoyage de l'embouchure, car il peut y avoir des débris pointus.

1. Pousser la machine sur un sol plat.
2. Vérifiez que la machine est arrêtée.
3. Abaissez la tête de lavage (I, Figure 7) et la raclette (H) en soulevant la pédale (G).
4. Débranchez le tuyau d'aspiration (B, Figure 12) du connecteur de la raclette (C).
5. Desserrez les boutons (D) et retirez la raclette (E).
6. Nettoyez la raclette en acier ou en plastique (E, Figure 12). Nettoyez en particulier les compartiments (I) et l'orifice (H). Vérifiez l'intégrité, la coupe et les déchirures des lames avant (F) et arrière (G) ; si nécessaire, remplacez-les (voir la procédure au paragraphe suivant).
7. Assembler l'embouchure dans l'ordre inverse de la dépose.

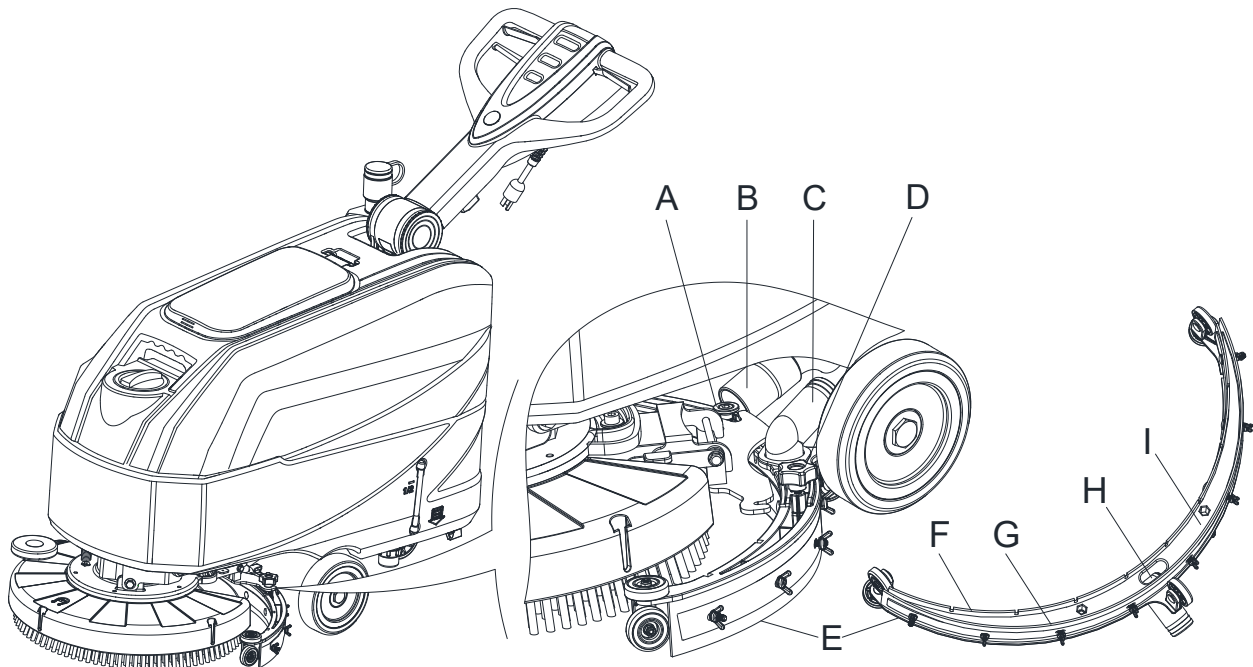


Figure 12

**VÉRIFICATION ET REMPLACEMENT DE LA LAMELLE DE L'EMBOUCHURE**

1. Nettoyez la raclette en acier ou en plastique, comme indiqué au paragraphe précédent.
2. Vérifiez que les bords (E, Figure 13) de la lame avant (A) et les bords (F) de la lame arrière (C) sont bien au même niveau sur toute leur longueur ; si nécessaire, réglez leur hauteur selon la procédure suivante :
  - Desserrez tous les écrous à ailettes (J) et réglez les lames avant (A) et arrière (C), puis serrez tous les écrous à ailettes.
3. Vérifiez l'usure, la coupe et les déchirures des lames avant (A) et arrière (C) ; si nécessaire, remplacez-les selon la procédure suivante. Vérifiez que les coins avant (E) ou arrière (F) ne sont pas usés ; si nécessaire, retournez la lame pour remplacer le coin usé par un coin intact. Si les autres coins sont usés, remplacer aussi la lamelle selon la procédure suivante :
  - Déposez tous les écrous à ailettes (J) et la vis (K), déposez la bande de retenue (B), puis remplacez/retournez la lame avant (A). Monter l'embouchure dans l'ordre inverse du démontage.
  - Déposez tous les écrous à ailettes (J) et la vis (K), déposez la bande de retenue (D), puis remplacez/retournez la lame arrière (C). Monter l'embouchure dans l'ordre inverse du démontage. Après le remplacement de la lame (ou son retournement), remontez la raclette comme indiqué à l'étape précédente.
4. Installez la raclette (E, Figure 12) et revissez les boutons (D, Figure 12), comme indiqué au paragraphe précédent.
5. Branchez le tuyau d'aspiration (B, Figure 12) à la raclette (C, Figure 12).

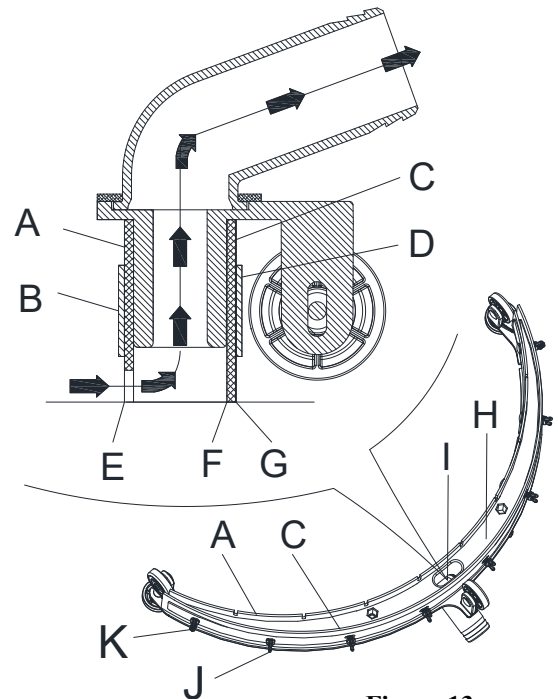


Figure 13

**NETTOYAGE DU RÉSERVOIR ET DE LA GRILLE D'ASPIRATION AVEC LE FLOTTEUR, VÉRIFICATION DU JOINT DE COUVERCLE**

1. Pousser la machine sur un sol plat.
2. Vérifiez que la machine est arrêtée.
3. Tournez le couvercle du réservoir de récupération (A, Figure 14) de 90 degrés pour le retirer, puis retirez le filtre à bille de flottement (B) du couvercle du réservoir de récupération.
4. Nettoyez le couvercle du réservoir de récupération (A), le réservoir de récupération (C), le réservoir de solution propre (D) et le filtre à bille de flottement (B). Videz le réservoir de récupération à l'aide du flexible de purge (D, Figure 10).
5. Installez le filtre à bille de flottement (B) et le couvercle du réservoir de récupération (A).
6. Inspecter l'intégrité de la bande d'étanchéité du réservoir.

**REMARQUE**

**La bande d'étanchéité du réservoir (E) produit l'aspiration à l'intérieur du réservoir lorsque le moteur d'aspiration fonctionne. Le réservoir doit être hermétique pour pouvoir absorber efficacement l'eau du sol vers le réservoir de récupération.**

7. Vérifiez si la surface de contact de la bande d'étanchéité (E) est intègre et si l'étanchéité est suffisante. Si nécessaire, sortez de la rainure (H) la bande d'étanchéité du réservoir et remplacez-la. Montez la nouvelle bande d'étanchéité comme illustré à la (Figure 14), le joint doit se trouver dans la zone centrale.
8. Fermer le couvercle du réservoir de récupération (A).

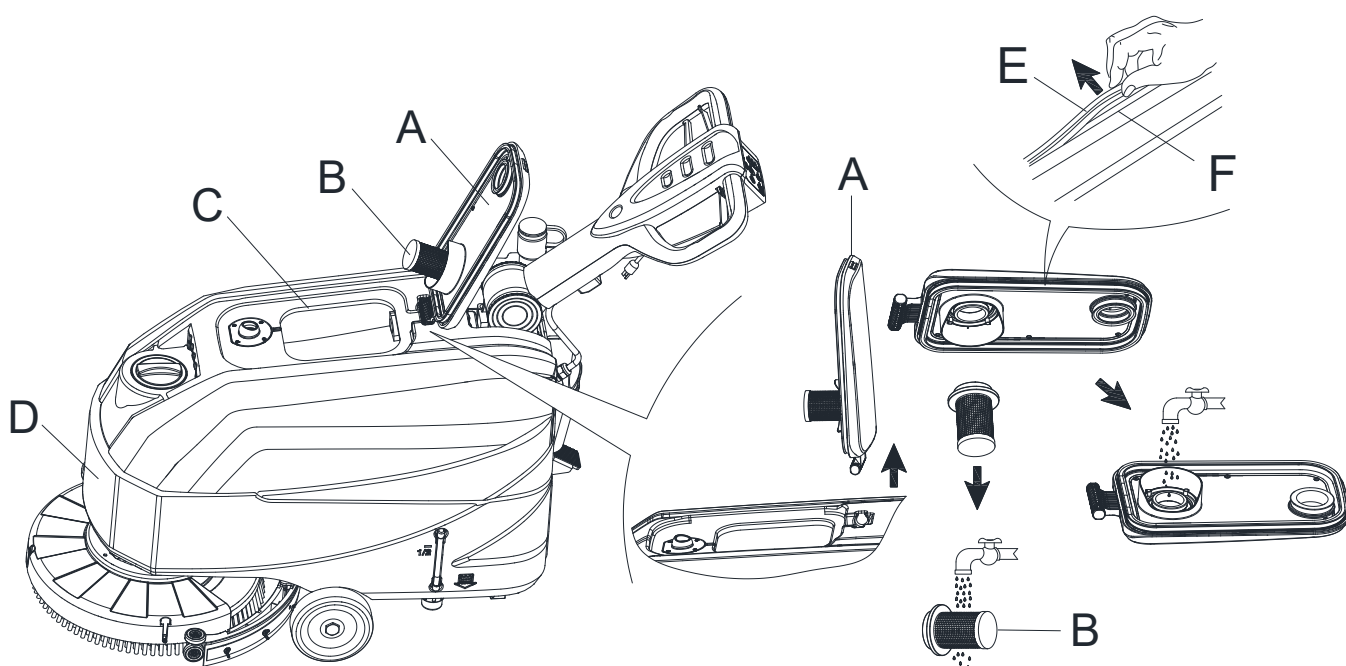


Figure 14

### ACCESSOIRES/OPTIONS

En plus des composants standards, la machine peut être équipée des accessoires/options suivants, selon l'utilisation spécifique de la machine :

Pour de plus amples informations concernant les accessoires optionnels mentionnés ci-dessus, contacter un distributeur agréé.

### ACCESSOIRES/OPTIONS

Voir la rubrique « Nomenclature des pièces »

1. Patins de différents matériaux.
2. Brosse de différents matériaux.
3. Lames de raclette de différents matériaux.

**DÉPANNAGE**

Problème	Causes probables	Solution
La machine ne fonctionne pas	Le câblage n'est pas branché correctement ou il est défectueux.	Vérifiez le câblage ou contactez le distributeur.
	Balai en carbone usé.	Contactez le distributeur.
Le moteur d'aspiration ne fonctionne pas.	Le câblage n'est pas branché correctement ou il est défectueux.	Vérifiez le câblage ou contactez le distributeur.
	Moteur d'aspiration défectueux.	Contactez le distributeur.
L'aspiration de l'eau de récupération est insuffisante.	Le réservoir de l'eau de récupération est plein.	Vider le réservoir.
	Le tuyau est déconnecté de l'embouchure.	Le connecter.
	La grille d'aspiration est obstruée ou le flotteur est bloqué en position fermée.	Nettoyer la grille ou contrôler le flotteur.
	La raclette est sale ou les lames de raclette sont usées ou endommagées.	Nettoyer et contrôler l'embouchure.
	Le couvercle du réservoir de récupération est mal fermé ou le joint est endommagé, ou le tube soudé est bouché.	Fermer le couvercle correctement, ou remplacer le joint ou nettoyer le tube Bend.
	Le réservoir d'eau de récupération est plein.	Le nettoyer.
Le débit de solution aux brosses est insuffisant.	Le filtre de solution/eau claire est sale.	Nettoyer le filtre.
	Le clapet à bille ne s'ouvre pas.	Régulation de la poignée du clapet à bille.
	Clapet à bille défectueux.	Contactez le distributeur.
	Vanne de solution défectueuse.	Contactez le distributeur.
L'embouchure laisse des traces sur le sol.	Il y a des débris sous les lamelles de l'embouchure.	Retirer les débris.
	Les lamelles de l'embouchure sont usées, émoussées ou usées.	Remplacer les lamelles.

**RECYCLAGE**

Effectuer le recyclage de votre machine par un centre agréé.

Avant que la machine ne soit détruite, veuillez à respecter la réglementation en vigueur pour les différents éléments qui la constituent.

- Brosse/support disque.
- Tuyau et pièces en plastique.
- Composants électriques et électroniques. (\*)

(\*) Veuillez contacter notre centre d'entretien en cas de destruction de tout composant électrique et électronique.

**Composition matérielle de la machine et possibilité de recyclage**

Type	% recyclable	AS4335 C % de poids
Aluminium	100%	2 %
Moteurs électriques-divers	29%	23%
Matériaux en fer	100%	32%
Faisceau de câbles	80%	1%
Liquides	100%	0%
Plastique - matière non recyclable	0%	1%
Plastique - matière recyclable	100%	38%
Caoutchouc	20%	3%

## ÍNDICE

<b>INTRODUCCIÓN</b> .....	<b>42</b>
PROPÓSITO Y CONTENIDOS DE ESTA GUÍA .....	42
CÓMO GUARDAR EL MANUAL DE INSTRUCCIONES DE USO .....	42
DECLARACIÓN DE CONFORMIDAD.....	42
ACCESORIOS Y MANTENIMIENTO.....	42
CAMBIOS Y MEJORAS .....	42
ÁMBITO DE APLICACIÓN .....	42
DATOS DE IDENTIFICACIÓN DE LA MÁQUINA.....	42
TRANSPORTE Y DESEMBALAJE .....	43
<b>SEGURIDAD</b> .....	<b>43</b>
SÍMBOLOS VISIBLES EN LA MÁQUINA.....	43
SÍMBOLOS QUE APARECEN EN EL MANUAL DE INSTRUCCIONES DE USO.....	43
INSTRUCCIONES GENERALES DE SEGURIDAD .....	44
<b>DESCRIPCIÓN DE LA MÁQUINA</b> .....	<b>46</b>
CONSTRUCCIÓN DE LA MÁQUINA (como se indica en Figura 1).....	46
PANEL DE CONTROL (como se indica en la Figura 2).....	47
DIMENSIONES DE LA MÁQUINA .....	47
PARÁMETROS TÉCNICOS.....	48
ESQUEMA ELÉCTRICO (120 VCA).....	49
<b>GUÍA DE FUNCIONAMIENTO</b> .....	<b>50</b>
INSTALACIÓN Y EXTRACCIÓN DEL CEPILLO/PORTA-PAD.....	50
INSTALACIÓN Y EXTRACCIÓN DE LA BOQUILLA .....	51
LLENAR EL DEPÓSITO DE SOLUCIÓN O AGUA DE LAVADO.....	52
REGULACIÓN DEL FLUJO DE AGUA .....	52
PUESTA EN MARCHA Y PARADA DE LA MÁQUINA .....	52
CONDUCCIÓN DE LA MÁQUINA (FREGAR Y SECAR).....	53
VACIAR LOS DEPÓSITOS .....	54
DESPUÉS DEL USO DE LA MÁQUINA .....	55
INACTIVIDAD PROLONGADA DE LA MÁQUINA.....	55
PRIMER PERÍODO DE USO.....	55
<b>MANTENIMIENTO</b> .....	<b>55</b>
TABLA DE MANTENIMIENTO PROGRAMADO.....	56
LIMPIEZA DE LOS CEPILLOS/PADS .....	56
LIMPIEZA DEL FILTRO DE LA SOLUCIÓN .....	56
LIMPIEZA DE LA BOQUILLA.....	57
CONTROL Y SUSTITUCIÓN DE LOS LABIOS DE LA BOQUILLA .....	58
REJILLA DEL DEPÓSITO Y DE LA ASPIRACIÓN CON LIMPIEZA DEL FLOTADOR E INSPECCIÓN DE LA GOMA DE LA TAPA.....	58
ACCESORIOS/OPCIONES.....	59
<b>RESOLUCIÓN DE PROBLEMAS</b> .....	<b>60</b>
<b>DESGUACE</b> .....	<b>60</b>

**INTRODUCCIÓN****NOTA**

Los números entre paréntesis hacen referencia a los componentes que se muestran en la sección Descripción de la Máquina.

**PROPÓSITO Y CONTENIDOS DE ESTA GUÍA**

El propósito del presente Manual de Instrucciones de Uso es proporcionar al operador toda la información básica, los datos técnicos, el funcionamiento, el almacenamiento, las piezas de repuesto, las condiciones de seguridad etc.

Antes de efectuar cualquier operación en la máquina, los operadores y los técnicos calificados tienen que leer cuidadosamente el Manual de Instrucciones de Uso. En caso de dudas sobre la correcta interpretación de las instrucciones, contacte con nuestra empresa para obtener más información.

**CÓMO GUARDAR EL MANUAL DE INSTRUCCIONES DE USO**

El manual de instrucciones de uso debe conservarse junto a la máquina, dentro de su contenedor, lejos de líquidos y otras sustancias que podrían dañarlo.

**DECLARACIÓN DE CONFORMIDAD**

La Declaración de conformidad se suministra con la máquina y certifica la conformidad de la máquina con la ley vigente.

**NOTA**

Las copias de la declaración de conformidad original se proporcionan junto con la documentación de la máquina.

**ACCESORIOS Y MANTENIMIENTO**

Todos los procedimientos de operación, mantenimiento y reparación necesarios deben ser realizados por personal calificado o por los centros de servicio designados de nuestra empresa. SOLO se permite el uso de accesorios y piezas de repuesto originales.

Póngase en contacto con el servicio de atención al cliente de nuestra empresa por cualquier servicio o compra de accesorios o piezas de repuesto según necesario.

**CAMBIOS Y MEJORAS**

Estamos comprometidos con la mejora continua de nuestros productos, y la empresa se reserva el derecho de aportar cambios y mejoras al producto sin aviso previo.

**ÁMBITO DE APLICACIÓN**

La fregadora está destinada al uso comercial e industrial. Es apropiada para la limpieza de suelos lisos y sólidos, cuando es utilizada por personal calificado en condiciones de seguridad. No es apta para el uso al aire libre o para la limpieza de alfombras o suelos ásperos.

**DATOS DE IDENTIFICACIÓN DE LA MÁQUINA**

El número de serie y el modelo de la máquina aparecen marcados en la etiqueta de serie.

Esta información es útil. Utilice la siguiente tabla para anotar los datos de identificación de la máquina a la hora de comprar piezas de repuesto para la máquina.

MODELO DE LA MÁQUINA.....
---------------------------

NÚMERO DE SERIE DE LA MÁQUINA .....
-------------------------------------



**TRANSPORTE Y DESEMBALAJE**

Cuando el transportista entrega la máquina, asegúrese de que el embalaje y la máquina se encuentran enteros y sin daños. En caso de daños, avise al transportista dicha situación, antes de aceptar las mercancías para reservarse el derecho de indemnización.

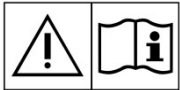
Al desembalar la máquina siga estrictamente las instrucciones en el embalaje.

Compruebe el paquete y asegúrese de que los siguientes artículos están incluidos:

1. Documentación técnica que incluye las instrucciones de uso y el catálogo de piezas.

**SEGURIDAD**

Los siguientes símbolos indican situaciones potencialmente peligrosas. Siempre lea atentamente esta información y tome todas las precauciones necesarias para salvaguardar a las personas y las propiedades.

**SÍMBOLOS VISIBLES EN LA MÁQUINA**

**¡ADVERTENCIA!**

Lea detenidamente todas las instrucciones antes de realizar cualquier operación en la máquina.



**¡ADVERTENCIA!**

No lave la máquina con chorros directos o agua a presión.



**¡ADVERTENCIA!**

No utilice la máquina en pendientes con un grado de inclinación superior al que se define en la especificación.

**SÍMBOLOS QUE APARECEN EN EL MANUAL DE INSTRUCCIONES DE USO**

**¡PELIGRO!**

Indica una situación peligrosa con riesgo de muerte para el operador.



**¡ADVERTENCIA!**

Indica un riesgo potencial de lesiones a las personas.



**¡ATENCIÓN!**

Indica una advertencia o una nota relacionada con funciones importantes o útiles. Preste atención a los párrafos marcados con este símbolo.



**NOTA**

Indica una observación relacionada con funciones importantes o útiles.



**CONSULTA**

Indica la necesidad de consultar el manual de instrucciones de uso antes de realizar cualquier procedimiento.

## INSTRUCCIONES GENERALES DE SEGURIDAD

Advertencias y precauciones específicas para informar acerca de los posibles daños a las personas y a la máquina se muestran a continuación.



## ¡PELIGRO!

- Esta máquina debe ser operada por personal capacitado y autorizado de acuerdo con las instrucciones del manual.
- Antes de realizar cualquier procedimiento de limpieza, mantenimiento, reparación o sustitución, lea todas las instrucciones con cuidado, asegúrese de apagar la máquina y desenchufar el conector del tomacorriente.
- No utilice la máquina cerca de polvos, líquidos o vapores tóxicos, peligrosos, inflamables y/o explosivos. Esta máquina no es adecuada para la recogida de polvos peligrosos.
- Quítese las joyas cuando trabaje cerca de los componentes eléctricos.
- No trabajar bajo la máquina levantada si ésta no está fijada con los soportes de seguridad adecuados.



## ¡ADVERTENCIA!

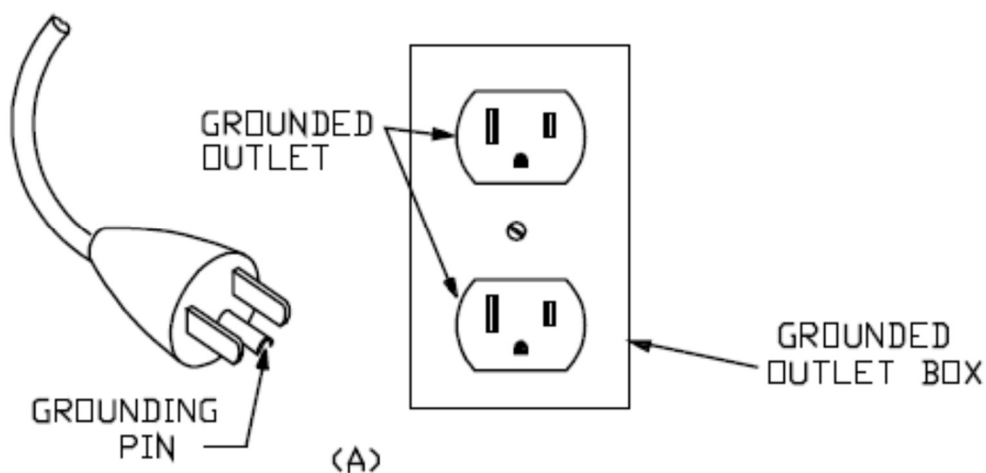
- Esta máquina es para USO COMERCIAL, por ejemplo en hoteles, colegios, hospitales, fábricas, tiendas y oficinas y negocios de alquiler.
- Las máquinas desatendidas deberán estar protegidas ante cualquier movimiento involuntario.
- Para evitar usos no autorizados de la máquina, la fuente de energía debe apagarse o bloquearse, por ejemplo quitando la llave del interruptor principal o la llave de encendido.
- Inspeccione cuidadosamente la máquina antes de cada uso. Asegúrese de que todos los componentes se encuentran montados seguramente antes de su uso. Los componentes sueltos podrían producir daños a las personas y a las propiedades.
- Nunca mueva la máquina tirando del cable. Evite que el cable se dañe con el cierre de puertas o en esquinas afiladas. Mantenga el cable lejos de superficies calientes.
- Para reducir el riesgo de incendio, descargas eléctricas o lesiones, asegúrese de que la máquina está apagada antes de salir.
- Utilice o guarde la máquina en interiores en condiciones secas, no está permitido usarla al aire libre.
- La temperatura tanto de almacenamiento como de funcionamiento de la máquina debe ser entre 0 °C y +40 °C, la humedad del aire debe oscilar entre 30% y 95%.
- No utilice la máquina en pendientes con un grado de inclinación superior al que se define en la especificación.
- Durante el uso y manipulación de detergentes de limpieza de suelos, siga las instrucciones en las etiquetas del detergente y use guantes y protecciones adecuadas.
- Utilice cepillos y pads suministrados con la máquina o definidos en el manual. El uso de otros cepillos o pads podría reducir la seguridad.
- Cuando la máquina no funciona correctamente, asegúrese de que esto no sea causado por falta de mantenimiento. Si es necesario, solicite la asistencia del personal autorizado o se un Centro de asistencia autorizado.
- Tomar todas las precauciones necesarias para que el pelo, las joyas y las ropas no sean capturados por las partes móviles de la máquina.
- No usar la máquina en ambientes demasiado polvorientos.
- No lave la máquina con chorros directos o presurizados de agua, o con sustancias corrosivas.
- No chocar contra estanterías o andamios de los que puedan caer objetos.
- No poner recipientes de líquidos sobre la máquina, usar el portabebidas.
- Para evitar daños en el suelo, no permita que el cepillo/pad funcione mientras la máquina está parada.
- En caso de incendio, use un extintor de polvo seco. No utilice extintores líquidos.
- No retire o modifique las pegatinas de la máquina.
- No manipule las protecciones de seguridad de la máquina y siga escrupulosamente las instrucciones para el mantenimiento programado.
- Tener cuidado durante el traslado de la máquina en condiciones de temperatura muy baja. El agua en el depósito de recuperación o en los tubos podría congelarse y dañar la máquina.
- Si deben sustituirse piezas, solicite piezas de repuesto ORIGINALES a un Concesionario y/o Revendedor autorizado.
- Lleve la máquina al Centro de asistencia si no funciona como de costumbre o está en condiciones de haber sido dañada, dejada al aire libre, caída al agua.

- Para garantizar el funcionamiento correcto y seguro de la máquina, el mantenimiento programado que se muestra en el capítulo correspondiente de este manual, debe ser realizado por el personal autorizado o un Centro de asistencia autorizado.
- La máquina debe desecharse de forma adecuada, debido a la presencia de materiales tóxicos dañinos que están sujetos a las normas que requieren la eliminación en centros especiales (véase capítulo Desguace).
- Esta máquina es una herramienta de limpieza y no sirve para ningún otro propósito.
- Las aperturas deben mantenerse libre de polvo, hilacha, pelos y cualquier otro cuerpo extraño que pueda reducir el flujo de aire. No utilice la máquina si los orificios están obstruidos.
- Usar la máquina sólo en áreas con suficiente iluminación.
- Esta máquina no debe ser utilizada por personas (incluidos niños) con capacidades físicas, sensoriales o mentales reducidas, o con falta de experiencia y conocimientos.
- Tener mucho cuidado cuando se utiliza cerca de niños.
- Los niños deben ser supervisados para asegurarse de que no jueguen con el aparato.
- Cuando se usa esta máquina, tener cuidado de salvaguardar la incolumidad de personas y cosas.
- Los niños no pueden efectuar limpieza y mantenimiento de la máquina sin supervisión adecuada.
- Las operadores deberán haber recibido la capacitación adecuada para usar este tipo de máquinas.

### Instrucciones de puesta a tierra

Esta máquina de acabado de pisos debe estar conectada a tierra mientras se usa, para proteger al operador de las descargas eléctricas. La máquina está provista de un enchufe de conexión a tierra de tres contactos para que se ajuste al receptáculo adecuado de conexión a tierra.

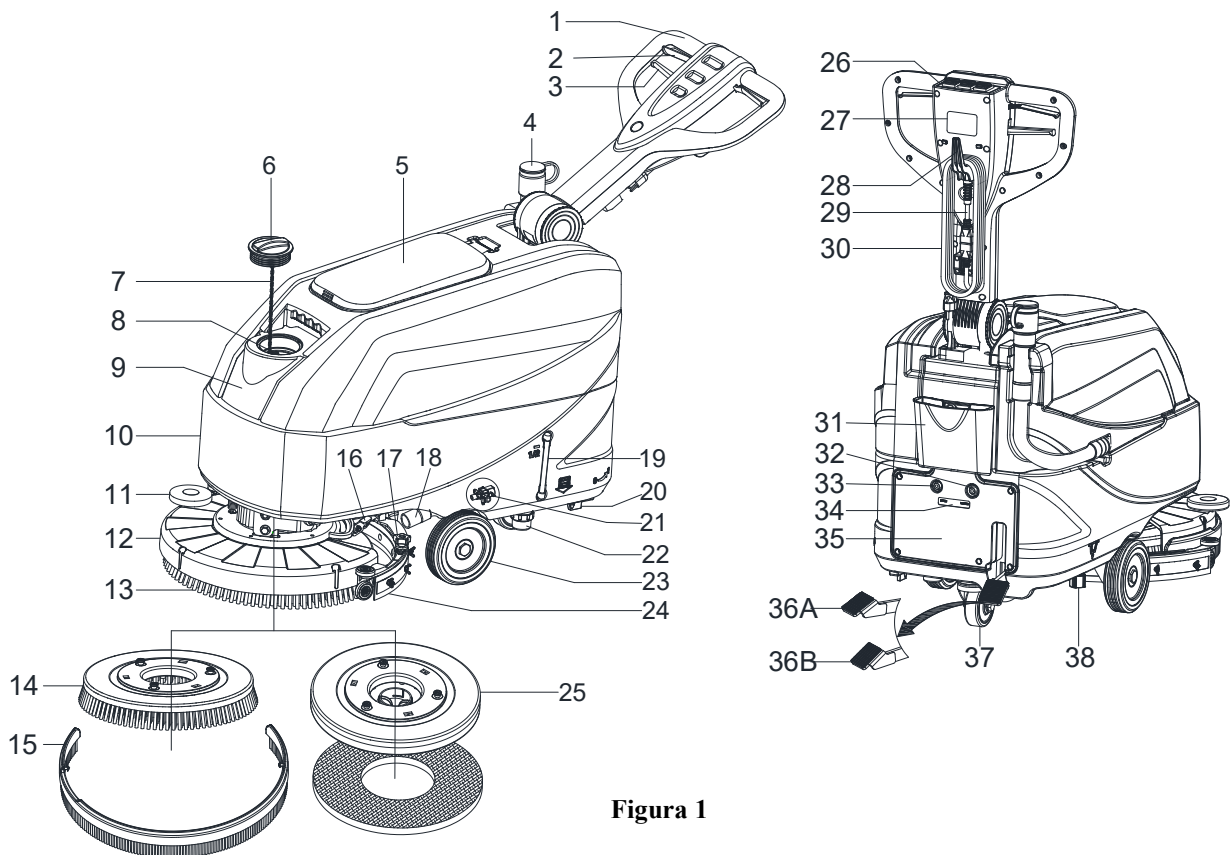
Este aparato es para ser usado en un circuito nominal de 120 V y tiene un enchufe con conexión a tierra que se parece al enchufe ilustrado en la figura A. Asegúrese de que el aparato esté conectado a una toma de corriente que tenga la misma configuración que el enchufe. No se deben utilizar adaptadores con este aparato.



**DESCRIPCIÓN DE LA MÁQUINA****CONSTRUCCIÓN DE LA MÁQUINA (como se indica en Figura 1)**

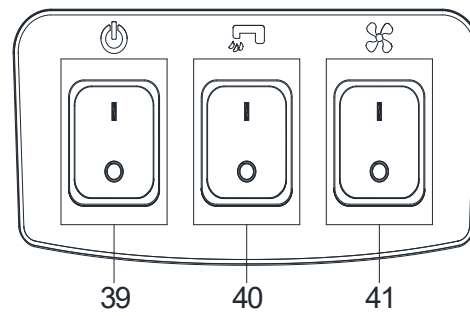
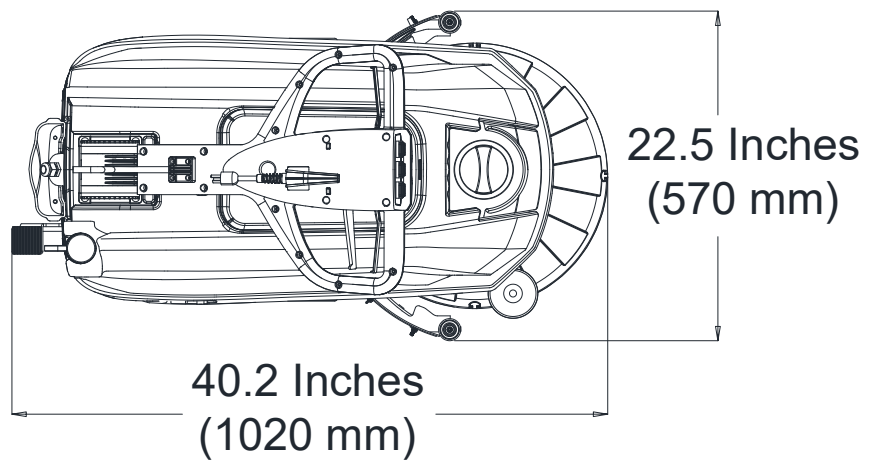
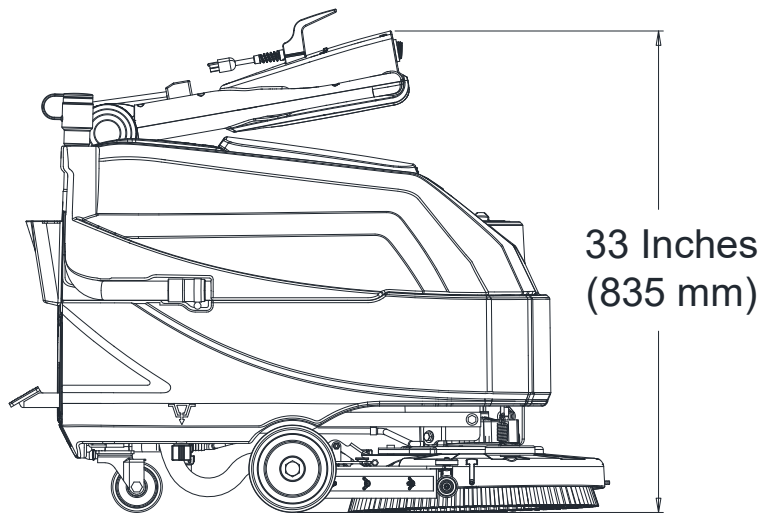
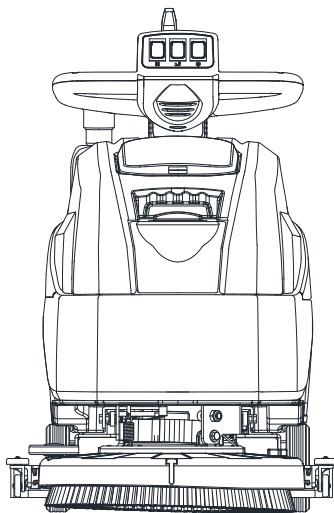
- |   |  |
|---|--|
| 1. Manillar   | 22. Filtro de la solución detergente                 |
| 2. Palanca del interruptor de seguridad             | 23. Ruedas delanteras                                |
| 3. Palanca de ajuste del manillar                   | 24. Grupo boquilla                                   |
| 4. Tubo de descarga del agua de recuperación        | 25. Porta-pad  |
| 5. Tapa del depósito de recuperación                | 26. Panel de control                                 |
| 6. Tapa del agua fresca                             | 27. Placa número de serie/datos técnicos             |
| 7. Cadena de sujeción de la tapa                    | 28. Soporte para el cable de alimentación            |
| 8. Boca de la manguera de llenado                   | 29. Cable con conector hembra                        |
| 9. Depósito de recuperación                         | 30. Cable de alimentación de 20 m                    |
| 10. Depósito de la solución detergente              | 31. Caja de las piezas accesorias (*)                |
| 11. Rueda del parachoques del cabezal portacepillos | 32. Interruptor de reset del sistema de aspiración   |
| 12. Cabezal del cepillo/porta-pad                   | 33. Interruptor de reset del sistema del cepillo     |
| 13. Cepillo/porta-pad                               | 34. Etiqueta del interruptor de reset                |
| 14. Cepillo   | 35. Tapa de la caja eléctrica                        |
| 15. Faldón (*)                                      | 36. Pedal de elevación/descenso del cabezal          |
| 16. Palanca de subida de la boquilla                | e) Posición del pedal cuando el cabezal está bajado  |
| 17. Reguladores de la boquilla                      | f) Posición del pedal cuando el cabezal está elevado |
| 18. Tubo de descarga del agua de recuperación       | 37. Rueda pivotante                                  |
| 19. Manguera del nivel de solución                  | 38. Tapa de salida                                   |
| 20. Válvula de bola                                 |  |
| 21. Electroválvula                                  |  |

(\*) Opcional

**Figura 1**

**PANEL DE CONTROL (como se indica en la Figura 2)**

- 39. Interruptor de alimentación
- 40. Interruptor de la solución
- 41. Interruptor de aspiración

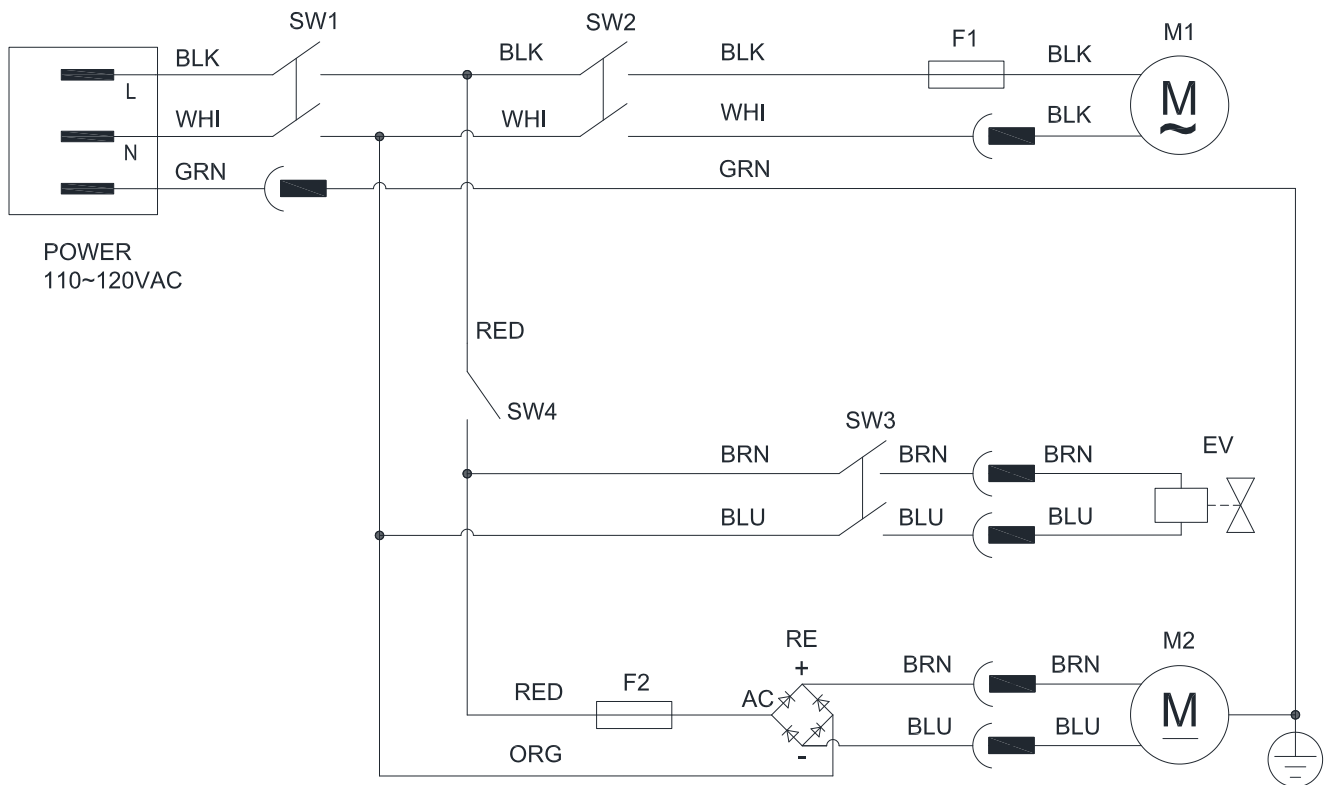
**Figura 2****DIMENSIONES DE LA MÁQUINA**

## PARÁMETROS TÉCNICOS

Tipos de parámetros	Unidades	Modelo
		AS4335C-US
Capacidad del depósito de la solución detergente	L / Gal	35 L / 9,25 Gal.
Capacidad del depósito de recuperación	L / Gal	35 L / 9,25 Gal.
Longitud de la máquina	mm/pulg.	933 mm/36,7 pulg.
Anchura de la máquina con boquilla	mm/pulg.	570 mm/22,4 pulg.
Anchura de la máquina sin boquilla	mm/pulg.	485 mm/19,1 pulg.
Altura de la máquina (sin la empuñadura)	mm/pulg.	647 mm/25,5 pulg.
Altura de la máquina (con la empuñadura vertical)	mm/pulg.	1182 mm/46,5 pulg.
Ancho de trabajo	mm/pulg.	432 mm/17 pulg.
Diámetro ruedas de tracción	mm/pulg.	153 mm/6 pulg.
Diámetro de la rueda trasera	mm/pulg.	89 mm/3,5 pulg.
Diámetro cepillo/pad	mm/pulg.	432 mm/17 pulg.
Presión del cepillo/pad (máx.)	kg/lbs.	19 Kg / 41,8 lbs
Flujo de la solución detergente (máx) por configuración	L / Gal por minuto	(0,59/0,69/1,11/1,68) Litros (0,16/0,18/0,29/0,44) Galones
Nivel de potencia acústica	dB (A)	69 ± 3 dB (A)
Nivel de vibración asa (máx)	m/s <sup>2</sup>	< 2,5 m/s <sup>2</sup>
Capacidad de ascenso (máx.)	% grados	2%
Potencia del motor de aspiración	Watt/H.P.	300 W/0,4 HP
Capacidad de aspiración	mm/pulg. de H <sub>2</sub> O	900 mm/35,4 pulg. de H <sub>2</sub> O
Potencia del motor del cepillo	Watt/H.P.	250 Watt / 0,34 HP
Velocidad cepillos en modalidad normal	RPM	170 RPM
Grado de protección IP	IP	IP24
Voltaje	CA	110~120 V
Productividad (máx)	m <sup>2</sup> /h	1720 / 1032 m <sup>2</sup> /h
Peso de la máquina con los depósitos vacíos	kg/lbs.	64 Kg / 141 Lbs
Peso total de la máquina	kg/lbs.	99 Kg / 218 Lbs
Peso de transporte	kg/lbs.	92 Kg / 203 Lbs
Dimensiones del embalaje (L x W x H)	mm/pulg.	(1130 x730 x 1040 mm) / (44.5 x 28.7 x 41 pulgadas)

(\*) Opcional

ESQUEMA ELÉCTRICO (110-120 VAC)



COMPONENTS		COMPONENTS	
SW1	Main Switch	F1	Circuit Breaker 4A
SW2	Vacuum Switch	F2	Circuit Breaker 4A
SW3	Water Switch	M1	Brush Motor
SW4	Handle Switch	M2	Vacuum Motor
EV	Solution Valve	RE	Rectifier

Comment	
1	RED-Red
2	BLK-Black
3	BRN-Brown
4	WHI-white
5	BLU-Blue
6	GRN-Green
7	ORG-Orange

## GUÍA DE FUNCIONAMIENTO



**¡ADVERTENCIA!**

En algunos lugares de la máquina se encuentran algunas placas adhesivas que indican:

- ¡PELIGRO!
- ¡ADVERTENCIA!
- ¡ATENCIÓN!
- CONSULTA

Durante la lectura de este manual, el operador debe prestar especial atención a los símbolos que aparecen en las placas. No cubra estas placas por cualquier motivo y reemplácelas inmediatamente si están dañadas.

## INSTALACIÓN Y EXTRACCIÓN DEL CEPILLO/PORTA-PAD



**NOTA**

Instale el cepillo (A, Figura 3) o el porta-pad (B y C, Figura 3) según el tipo de suelo a limpiar.

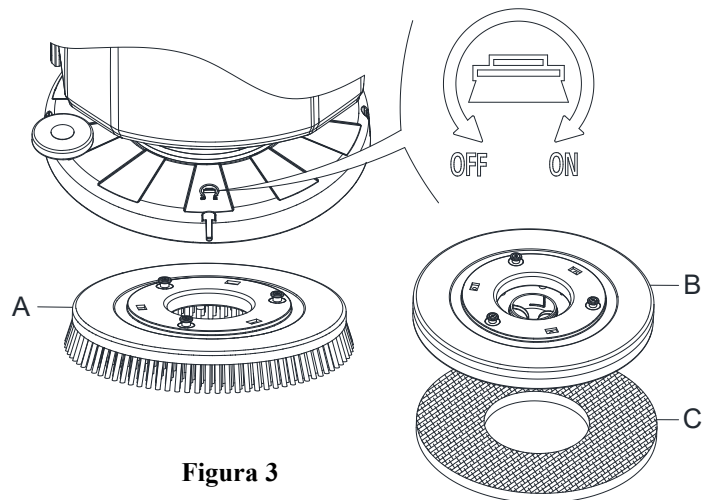


**¡ATENCIÓN!**

Antes de la instalación o extracción del cepillo o porta-pad, asegúrese de que todos los interruptores de la máquina están en posición off y la boquilla y el cabezal del cepillo/porta-pad estén levantados del suelo. El operador debe estar equipado con dispositivos de protección como guantes para reducir el riesgo de accidentes.

Siga las instrucciones:

1. Corte la alimentación (39, Figura 2).
2. Levante el cabezal pisando el pedal (36, Figura 1).
3. Coloque los cepillos (A, Figura 3) o el porta-pad (B, Figura 3) debajo del cabezal (12, Figura 1).
4. Baje el cabezal en los cepillos/porta-pads pisando el pedal (36, Figura 1).
5. Pulse el interruptor de arranque (39 Figura 2).
6. Pulse una de las palancas del interruptor de seguridad del cepillo/marcha adelante (2, Figura 1) para enganchar el cepillo/porta-pad y después suéltela. Si es necesario, repita el procedimiento hasta que los cepillos/porta-pads estén enganchados.
7. Si el paso anterior n.6 es difícil de realizar, utilice el método manual girando el cepillo/porta-pad en la dirección opuesta a la dirección de giro normal (ON) para instalar el cepillo/porta-pad (como se ilustra en la Figura 3).



**Figura 3**



**¡ADVERTENCIA!**

Para enganchar el cepillo/porta-pad, presione la palanca del interruptor de seguridad (2, Figura 1) que se enciende en el motor del cepillo/porta-pad.

8. Para retirar el cepillo/porta-pad, levante el cabezal pisando el pedal (36, Figura 1) y a continuación el método manual girando el cepillo/porta-pad en la dirección opuesta (OFF), el cepillo/porta-pad se soltará.



## INSTALACIÓN Y EXTRACCIÓN DE LA BOQUILLA



**¡ATENCIÓN!**

Es aconsejable usar guantes de protección para instalar y quitar el grupo boquilla, dada la posible presencia de residuos cortantes.

1. Empuje la máquina hacia una superficie nivelada.
2. Asegúrese de que la máquina está apagada.
3. Baje el cabezal del cepillo/porta-pad (12, Figura 1) levantando el pedal (36), cepillo en el suelo.
4. Coloque la boquilla entre el cabezal del cepillo y la rueda delantera.
5. Fije el taco A en la apertura B, después fije el otro tornillo C para abrir D, sujete el regulador de la boquilla y conecte el tubo de descarga del agua de recuperación F al conector E (Figura 4).
6. Desconecte la boquilla realizando los pasos en orden inverso al de desmontaje.

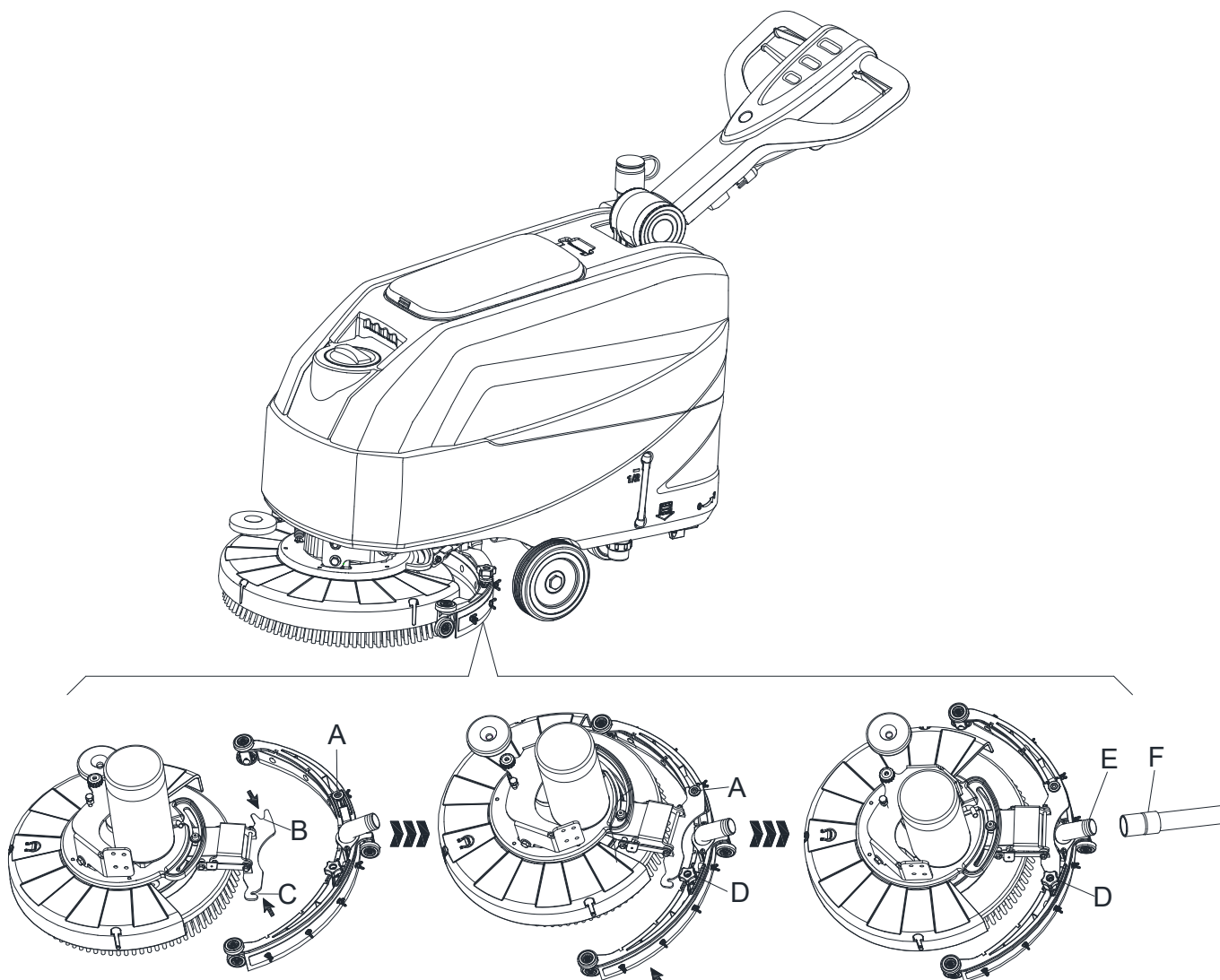


Figura 4

## LLENAR EL DEPÓSITO DE SOLUCIÓN O AGUA DE LAVADO

1. Abra la tapa de entrada del agua (A, Figura 5).
2. Llene con agua o con una solución apropiada para el trabajo que se tiene que realizar.  
La temperatura de la solución no debe superar los +104°F (40°C).
3. No llene demasiado el depósito, refiérase al indicador del nivel de agua (B, Figure 5) en cuanto al volumen del agua.

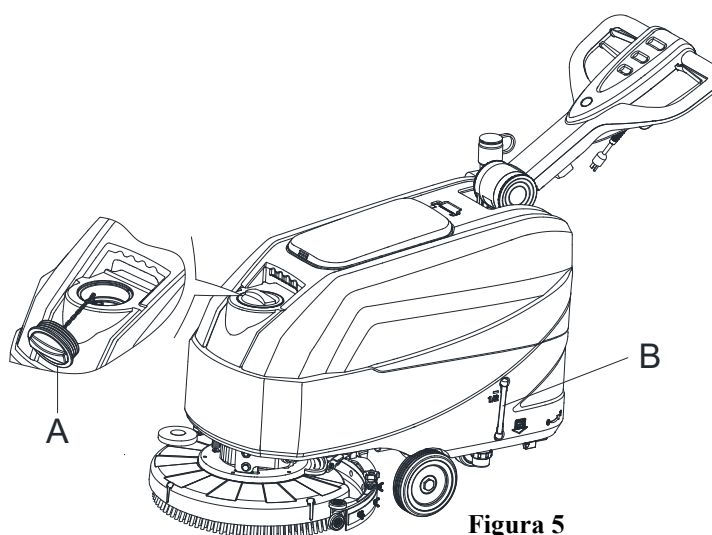


Figura 5



### ¡ADVERTENCIA!

Utilice solo detergentes no inflamables y de baja espuma, indicados para el uso en fregadoras automáticas.

## REGULACIÓN DEL FLUJO DE AGUA

El volumen del flujo de agua puede ajustarse a través de la manilla de la válvula de bola (A, Figura 6) según la cantidad de agua requerida para el uso en fregadoras.

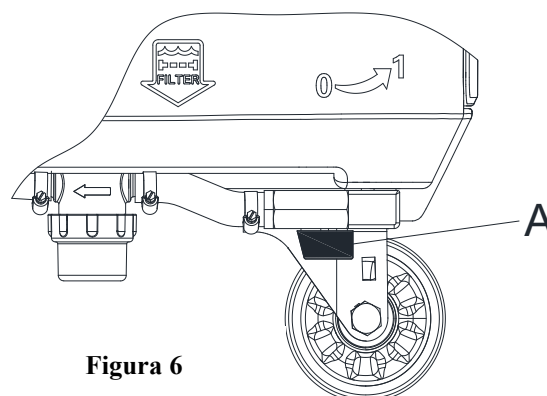


Figura 6



### ¡ADVERTENCIA!

La regulación de la manilla de la válvula de bola (A, Figura 6) debe realizarse con la condición de que el interruptor de alimentación (39, Figura 2) se encuentra en la posición «OFF».

## PUESTA EN MARCHA Y PARADA DE LA MÁQUINA

### Puesta en marcha de la máquina

1. Preparar la máquina como indicado en el párrafo precedente.
2. Empuje la máquina hacia la zona que se quiere limpiar, empujándolo con las manos el manillar (D, Figura 7).
3. Baje el cabezal del cepillo/porta-pad (I, Figura 7) y la boquilla (L) levantando el pedal (G).
4. Pulse el interruptor de alimentación (A, Figura 7) hacia la posición «I».
5. Pulse el interruptor de la solución (B, Figura 7) hacia la posición «I». (Trabaje simultáneamente con el interruptor de seguridad (E) para controlar la electroválvula).
6. Pulse el interruptor de aspiración (C, Figura 7) hacia la posición «I».
7. Empiece la limpieza empujando la máquina con las manos en el manillar (D, Figura 7) y presionando la palanca del interruptor de seguridad (E, Figura 7).

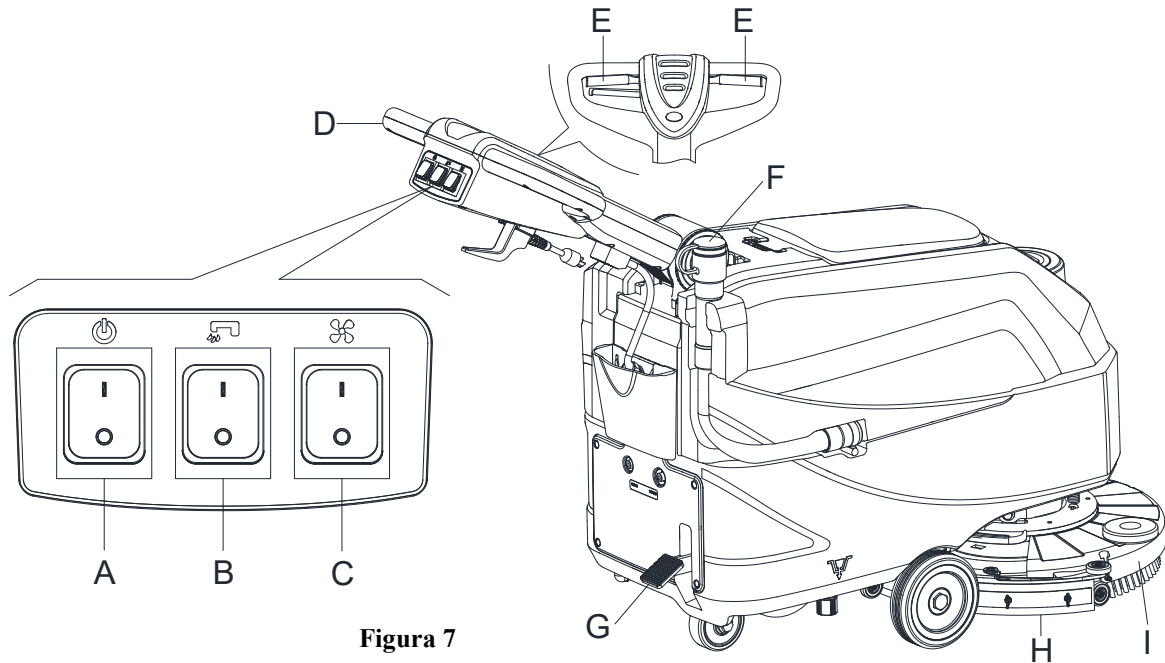


Figura 7

**NOTA**

Para la marcha adelante, pulse la palanca del interruptor de seguridad (E, Figura 7) derecha o izquierda, o ambas.

8. Si es necesario, presione la palanca de ajuste del manillar (3, Figura 1) para ajustar la altura del manillar.
9. Si es necesario, apague la máquina y ajuste el flujo de solución con la manilla de la válvula de bola. (Remítase a los pasos para el ajuste del flujo de la solución).

**¡ATENCIÓN!**

Para evitar daños en el suelo, cuando la máquina permanece en un lugar sin moverse, quite las manos de los interruptores y apague los botones de la red eléctrica (A).

**Parada de la máquina**

10. Detenga la máquina usando el manillar (D, Figura 7).
11. Cuando termine de usar la máquina, suelte la palanca del interruptor de seguridad (E) para desconectar el cepillo/porta-pad y la electroválvula.
12. Pulse el interruptor de control de la solución (B) hacia la posición «OFF» para cerrar completamente el flujo de la solución.
13. Pulse el interruptor de aspiración (C) en la posición «OFF». El sistema de aspiración se detiene al cabo de algunos segundos.
14. Pulse el interruptor de alimentación (A) a la posición «OFF». Y desconectando el cable de alimentación (30, Figura 1) de la fuente de alimentación.
15. Levante el cabezal del cepillo/porta-pad (I, Figura 7) y la boquilla (L) presionando el pedal (G).
16. Asegurarse de que la máquina no pueda moverse de forma autónoma.

**CONDUCCIÓN DE LA MÁQUINA (FREGAR Y SECAR)**

1. Ponga la máquina en marcha como se indica en los párrafos anteriores.
2. Mientras mantiene ambas manos en el manillar, presione la palanca del interruptor de seguridad (E, Figura 7), después maniobre la máquina e inicie el fregado/secado del suelo.
3. Si es necesario, apague la máquina y ajuste el flujo de solución con la manilla de la válvula de bola. (Remítase a los pasos para el ajuste del flujo de la solución).

**NOTA**

Para el fregado/secado correcto de los suelos en los lados de las paredes, se sugiere aproximarse a las paredes con el lado derecho de la máquina (A y B, Figura 8) como se indica en la figura.

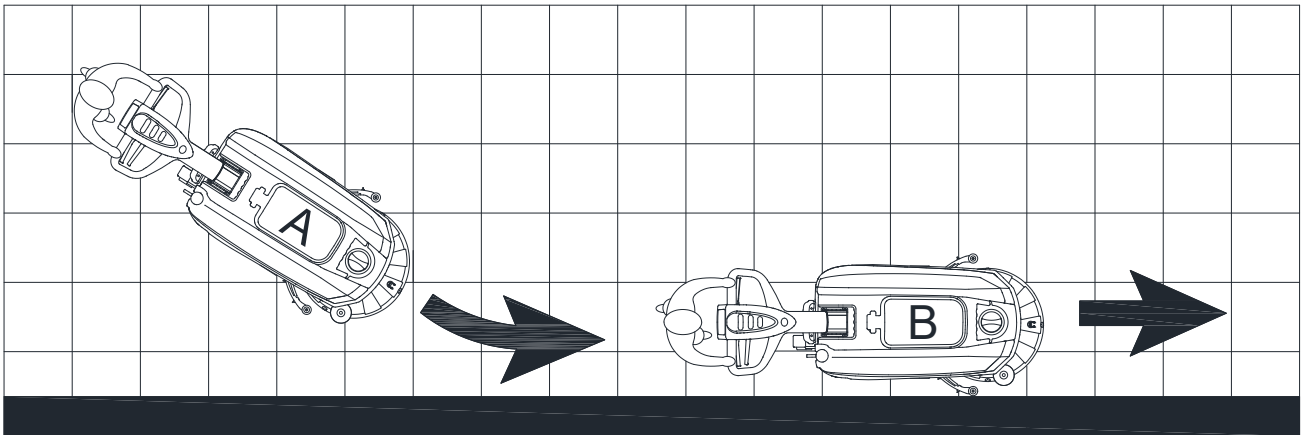


Figura 8

**¡ATENCIÓN!**

Para evitar cualquier daño a la superficie del suelo, apague los cepillos/porta-pad cuando la máquina se detiene en un lugar, especialmente cuando la función de presión extra está activa.

**VACIAR LOS DEPÓSITOS**

Un sistema de cierre del flotador automático (B, Figura 9) bloquea el sistema de aspiración cuando el depósito de agua sucia (C) está lleno. La desactivación del sistema de aspiración se indica mediante un aumento repentino en la frecuencia de ruido del motor del sistema de aspiración, y también el suelo no se seca.

**¡ATENCIÓN!**

Si el sistema de aspiración se apaga accidentalmente (por ejemplo, cuando el flotador está activado a un movimiento repentino de la máquina), para reanudar la operación: pulse el interruptor de alimentación (39 y 41) para apagar el sistema de aspiración y la alimentación, a continuación, abra la tapa (A, Figura 9) y compruebe que el flotador dentro de la rejilla (B) ha bajado al nivel del agua. Después cierre la tapa (A) y pulse el interruptor de alimentación (39 y 41) para encender la alimentación y el sistema de aspiración.

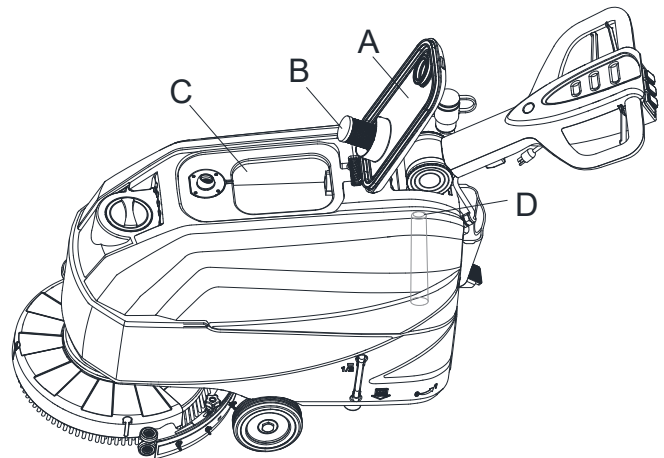


Figura 9

Cuando el depósito de agua sucia (C, Figura 9) está lleno, vacíelo de acuerdo con el siguiente procedimiento.

**Vaciar el depósito de agua sucia**

1. Parar la máquina.
2. Levante el cabezal del cepillo/porta-pad (I, Figura 7) y la boquilla (L) presionando el pedal (G).
3. Empuje la máquina hacia el área de eliminación designada.
4. Vacíe el depósito de recuperación con el tubo (F, Figura 7). Luego, enjuague el depósito de recogida (C, Figura 9) con agua limpia.
5. Quite la tapa del depósito de recogida (A, Figura 9) y limpie el interior de la tapa y la rejilla del flotador del filtro (B) con agua limpia.
6. Controle el depósito de recogida (D, Figura 9) para ver si hay cuerpos extraños y después límpielo.

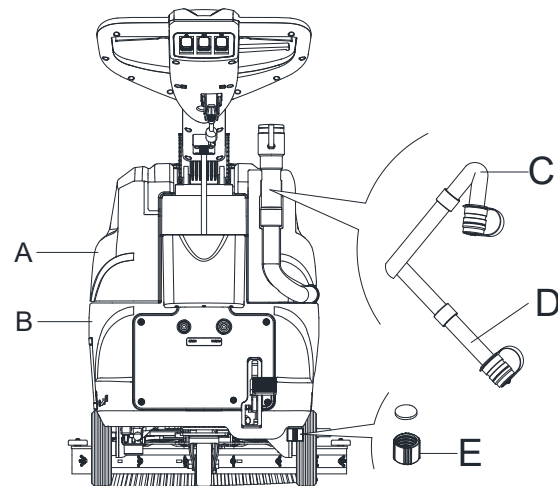


Figura 10

**¡ATENCIÓN!**

Al vaciar el agua residual, el tubo de aspiración de los residuos se debe doblar (C, Figura 10) y bajar a una posición más baja (D, Figura 10), a continuación, abra la tapa del tubo de aspiración de residuos para vaciar el agua. Evite que la boca del tubo de aspiración de residuos esté orientada hacia arriba para drenar el agua verticalmente. Esto es para prevenir que las aguas residuales salpiquen al operador.

7. Realice los pasos 1 a 4.

**Vaciar el depósito de solución/agua limpia**

8. Vacíe el depósito de solución detergente con la tapa de salida (E, Figura 10). Después del uso, enjuague el depósito con agua limpia.

**DESPUÉS DEL USO DE LA MÁQUINA**

Después de usar, antes de guardar la máquina:

1. Retire los cepillos/porta-pads.
2. Vacíe los depósitos (A y B, Figura 10) tal y como se indica en el párrafo anterior.
3. Lleve a cabo los procedimientos de mantenimiento diario (véase el capítulo Mantenimiento).
4. Guarde la máquina en un lugar limpio y seco, con los cepillos/porta-pads y la boquilla levantados o desmontados.

**INACTIVIDAD PROLONGADA DE LA MÁQUINA**

Si la máquina no va a ser utilizado durante más de 30 días, proceda de la siguiente manera:

5. Realice los procedimientos que se muestran en el párrafo Después del uso de la máquina.
6. Desconecte la alimentación eléctrica.

**PRIMER PERÍODO DE USO**

Después de las primeras 8 horas, compruebe si los elementos de sujeción y unión de la máquina están bien apretados e inspeccione las partes visibles en busca de desgaste y fugas.

**MANTENIMIENTO****¡ADVERTENCIA!**

Los procedimientos de mantenimiento deben ser realizados cuando la máquina está apagada y el cable está desconectado. Además, lea atentamente los capítulos de seguridad en el manual.

Todos los procedimientos de mantenimiento programado o extraordinario deben ser realizados por personal cualificado o un Centro de asistencia autorizado. Este manual sólo describe los procedimientos de mantenimiento generales y comunes.

**TABLA DE MANTENIMIENTO PROGRAMADO**



**¡ATENCIÓN!**

El procedimiento marcado con (1) debe realizarse 9 horas después del primer uso de la máquina. El procedimiento marcado con (2) debe ser realizado por el Centro de asistencia designado por nuestra empresa.

Procedimiento	Diario, después de cada uso	Semanal	Cada 6 meses	Anualmente
Limpieza de la boquilla				
Limpieza del cepillo/porta-pad				
Limpieza de los depósitos				
Inspección de las tiras de sellado de los depósitos				
Limpieza del filtro con flotador de bola				
Control y sustitución de los labios de la boquilla				
Limpieza del filtro de agua				
Limpieza del filtro de la solución				
Inspección de los tornillos y tuercas			(1)	
Inspeccionar o reemplazar la escobilla de carbón del cepillo/porta-pad				(2)
Inspeccionar o reemplazar la escobilla de carbón del motor de aspiración				(2)

**LIMPIEZA DE LOS CEPILLOS/PADS**



**¡ATENCIÓN!**

Durante estas operaciones se recomienda usar guantes de trabajo, porque residuos cortantes podrían estar en el cepillo/pad.

1. Quite el cepillo/pad de la máquina como indicado en el capítulo Uso.
2. Limpie y lave el cepillo/pad con agua y detergente.
3. Controle que los cepillos/pads están en buenas condiciones de funcionamiento y no excesivamente desgastados; de lo contrario, sustitúyelos.

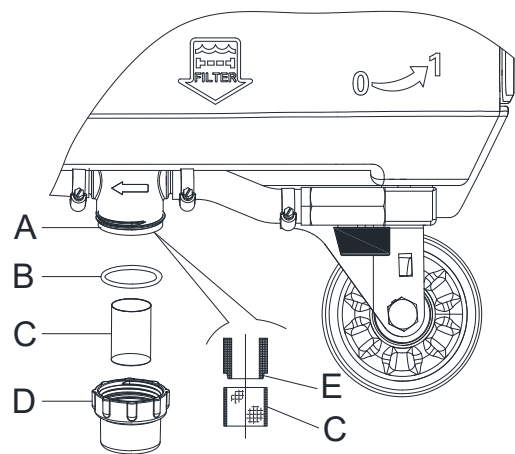
**LIMPIEZA DEL FILTRO DE LA SOLUCIÓN**

1. Empujando la máquina a una superficie nivelada.
2. Asegúrese de que la máquina está apagada.
3. Vacíe el depósito de solución (consejo).
4. Quite la tapa (D, Figura 11), luego quite la rejilla filtrante (C). Límpielas y móntelas en el soporte (A).



**NOTA**

Coloque correctamente la rejilla filtrante (C, Figura 11) en el alojamiento (E) del soporte (A).



**Figura 11**

## LIMPIEZA DE LA BOQUILLA



## NOTA

La boquilla debe estar limpia igual que los labios deben estar en buenas condiciones para obtener un buen secado.



## ¡ATENCIÓN!

Es aconsejable usar guantes de protección al limpiar la boquilla, ya que puede haber escombros cortantes.

1. Empuje la máquina hacia una superficie nivelada.
2. Asegúrese de que la máquina está apagada.
3. Baje el cabezal del cepillo/porta-pad (I, Figura 7) y la boquilla (L) levantando el pedal (G).
4. Desconecte el tubo de aspiración (B, Figura 12) del conector de la boquilla (C).
5. Afloje los reguladores (D) y retire la boquilla (E).
6. Limpie la boquilla de acero o de plástico (E, Figura 12). Limpie los compartimientos (I) y especialmente el orificio (H). Controle que el labio delantero (F) y el trasero (G) estén en buenas condiciones, que no presenten cortes ni desgarros; de lo contrario, sustitúyalos (véase el procedimiento en el párrafo siguiente).
7. Ensamble la boquilla en orden contrario al desmontaje.

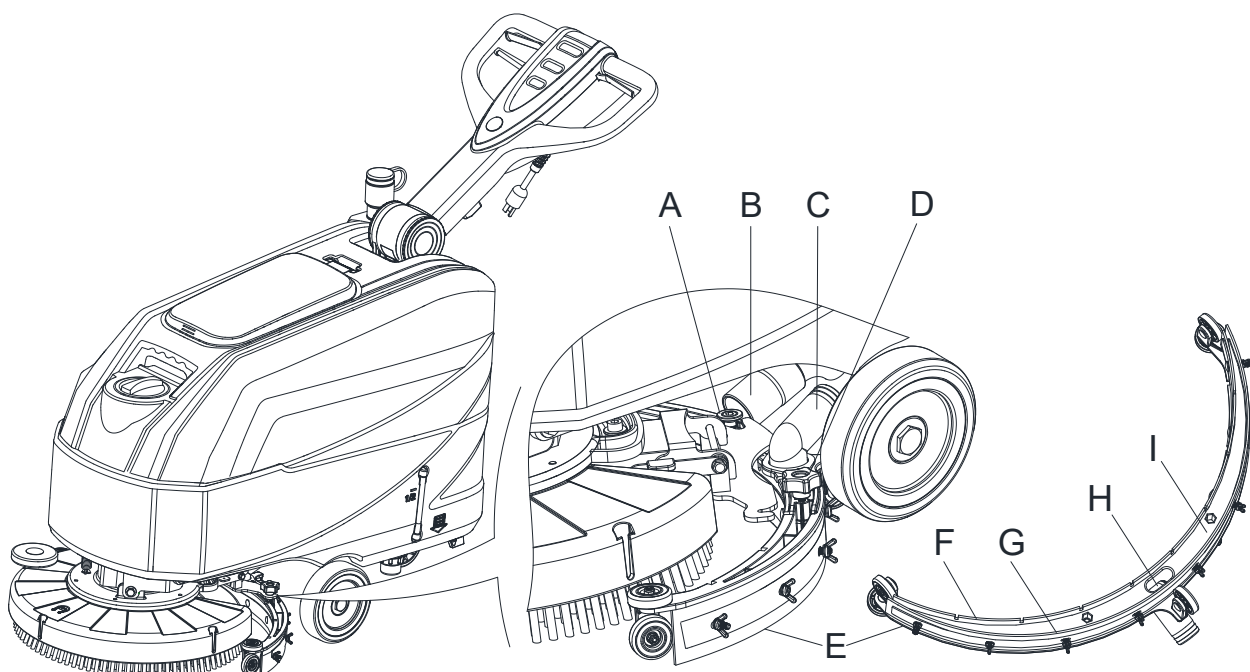


Figura 12



**CONTROL Y SUSTITUCIÓN DE LOS LABIOS DE LA BOQUILLA**

1. Limpie la boquilla de acero o de plástico, tal y como se indica en el párrafo anterior.
2. Compruebe si los bordes (E, Figura 13) del labio delantero (A) y los bordes (F) del labio trasero (C) están en el mismo nivel, a lo largo de su longitud; si es necesario, ajuste su altura según el siguiente procedimiento:
  - Afloje las tuercas de mariposa (J) y ajuste el labio delantero (A) y el trasero (C) y después apriete todas las tuercas de mariposa.
3. Compruebe que el labio delantero (A) y el trasero (C) estén en buenas condiciones, que no estén cortados o desgarrados, de lo contrario, sustitúyalos según el procedimiento siguiente. Compruebe si la esquina delantera (E) o la esquina trasera (F) está desgastada; si es necesario, dé vuelta el labio para sustituir la esquina desgastada con aquella en buenas condiciones. Si ambas las esquinas están demasiado desgastadas, reemplace el labio de acuerdo con el siguiente procedimiento:
  - Retire las tuercas de mariposa (J) y el tornillo (K), extraiga la cinta de sujeción (B), después sustituya/dé vuelta el labio delantero (A). Monte el labio en orden contrario al desmontaje.
  - Retire las tuercas de mariposa (J) y el tornillo (K), extraiga la cinta de sujeción (D), después sustituya/dé vuelta el labio trasero (C). Monte el labio en orden contrario al desmontaje. Después de cambiar el labio (o de haberlo dado vuelta), monte la boquilla como se muestra en el paso anterior.
4. Instale la boquilla (E, Figura 12) y atornille los reguladores (D, Figura 12), como se ha ilustrado en el párrafo anterior.
5. Conecte el tubo de aspiración (B, Figura 12) a la boquilla (C, Figura 12).

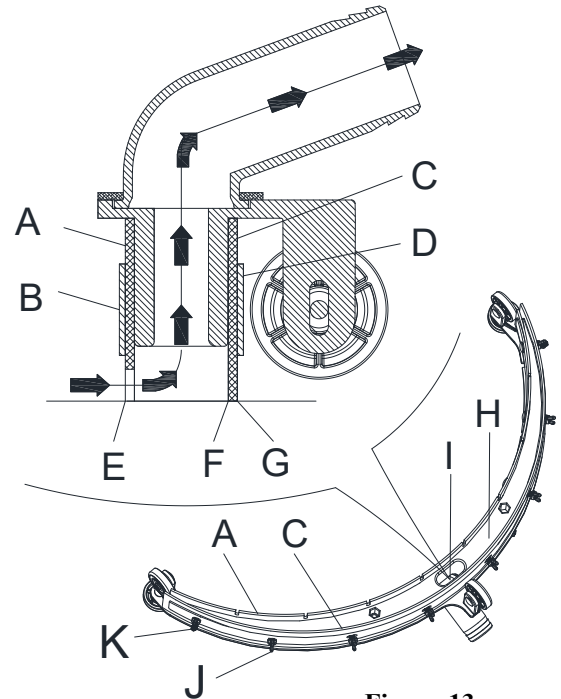


Figura 13

**REJILLA DEL DEPÓSITO Y DE LA ASPIRACIÓN CON LIMPIEZA DEL FLOTADOR E INSPECCIÓN DE LA GOMA DE LA TAPA**

1. Empuje la máquina hacia una superficie nivelada.
2. Asegúrese de que la máquina está apagada.
3. Gire la tapa del depósito de recogida (A, Figura 14) a 90 grados, donde se lo pueda quitar depósito de recogida y luego quite el filtro de flotador de bola (B) de la tapa del depósito de recogida.
4. Limpie la tapa del depósito de recogida (A), depósito de recogida (C), del depósito de la solución limpia (D) y del filtro con flotador de bola (B). Vacíe el depósito de recogida usando el tubo de descarga (D, Figura 10).
5. Instale el filtro con flotador de bola (B) y la tapa del depósito de recogida (A).
6. Inspeccione la integridad de las tiras de sellado de los depósitos.

**NOTA**

La tira de sellado del depósito (G) produce el vacío dentro del depósito cuando el motor de aspiración está trabajando. El depósito debe estar sellado para poder absorber el agua del suelo al depósito de recogida.

7. Compruebe si la superficie de contacto de la tira de sellado (E) está en buenas condiciones y si el sellado es suficiente. Si es necesario, saque la tira de sellado del depósito a través de la ranura (F) y reemplácela. Coloque una nueva tira de sellado como se muestra (en la Figura 14), la junta debe estar de vuelta en la zona media.
8. Cierre la tapa del depósito de recuperación (A).



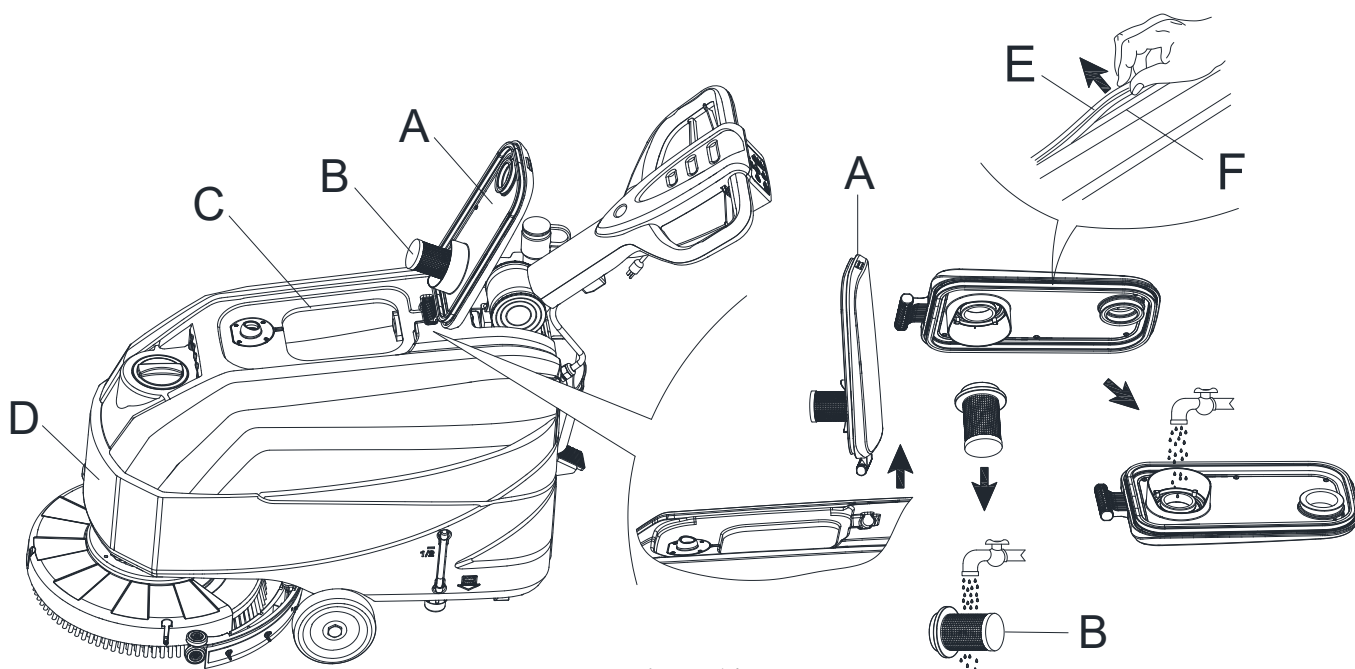


Figura 14

### ACCESORIOS/OPCIONES

Además de los componentes instalados en la versión estándar, la máquina puede equiparse con los siguientes accesorios/opciones, según el uso específico:

Para más información sobre los accesorios opcionales mencionados anteriormente, póngase en contacto con un Revendedor autorizado.

### ACCESORIOS/OPCIONES

Consulte la sección «Catálogo de piezas de repuestos»

1. Pads de diferentes materiales.
2. Cepillo de diferentes materiales.
3. Labios de diferentes materiales.

**RESOLUCIÓN DE PROBLEMAS**

PROBLEMA	Causa probable	Remedio
Máquina no en funcionamiento	El cableado no está conectado correctamente o se ha realizado incorrectamente.	Controle el cableado o contacte el distribuidor.
	Cepillo de carbón desgastado.	Contacte el distribuidor.
El motor de aspiración no funciona.	El cableado no está conectado correctamente o se ha realizado incorrectamente.	Controle el cableado o contacte el distribuidor.
	Motor de aspiración averiado.	Contacte el distribuidor.
La aspiración del agua de recuperación es insuficiente.	El depósito de recuperación está lleno.	Vaciar el depósito.
	El tubo está desconectado de la boquilla.	Conectar.
	La rejilla de aspiración está obstruida o el flotador está atascado en posición cerrada.	Limpiar la rejilla o controlar el flotador.
	La boquilla está sucia o los labios de la boquilla están desgastados o dañados.	Limpiar y controlar la boquilla.
	La tapa del depósito no está cerrada correctamente, o la goma está desgastada, o el tubo curvo está obstruido.	Cierre bien la cubierta, o reemplace la goma o limpie el tubo curvo.
	El depósito del agua de recuperación está sucio.	Limpiar.
El flujo de la solución detergente a los cepillos es insuficiente.	El filtro de la solución detergente/agua limpia está sucio.	Limpiar el filtro.
	La válvula de bola no se abre.	Regule la manilla de la válvula de bola.
	Válvula de bola averiada.	Contacte el distribuidor.
	Válvula de la solución averiada.	Contacte el distribuidor.
La boquilla causa estriados en el suelo.	Residuos bajo de los labios de la boquilla.	Quitar los residuos.
	Los labios de la boquilla están desgastados, astillados o desgarrados.	Sustituir los labios.

**DESGUACE**

Deseche la máquina mediante una institución de tratamiento de residuos calificada.

Antes de desechar máquina, por favor lleve y separe el subconjunto a continuación que debe eliminarse en forma adecuada según las leyes y reglamentos pertinentes.

- Cepillo/porta-pad.
- Tubo de plástico y piezas de plástico.
- Componentes eléctricos y electrónicos. (\*)

(\*) Por favor contacte con el Centro de asistencias de nuestra Empresa para desechar cualquier componente electrónico y eléctrico.

**Composición de material de la máquina y reciclabilidad**

Tipo	% reciclable	AS4335C % de peso
Aluminio	100%	2%
Motores eléctricos - misc.	29%	23%
Materiales ferrosos	100%	32%
Cableado	80%	1%
Líquidos	100%	0%
Plástico - no reciclable	0%	1%
Plástico - reciclable	100%	38%
Caucho	20%	3%

# PARTS LIST

## TABLE OF CONTENTS

GENERAL VIEW.....	62
AS4335C HANDLE ASSEMBLY.....	64
AS4335C RECOVERY TANK ASSEMBLY.....	67
AS4335C SOLUTION TANK ASSEMBLY.....	69
AS4335C CHASSIS ASSEMBLY .....	72
AS4335C &AS4325B SQUEEGEE ASSEMBLY.....	75
AS4335C BRUSH ASSEMBLY.....	77
AS4335C WEAR AND TEAR PARTS .....	81
AS4335C 110-120V WIRING DIAGRAM .....	82

### WHEN ORDERING PARTS

- \*Use the part numbers from the "Part. No." columns in this parts list.
- \*Specify the model and serial number of the machine.
- \*Use the space below to record the model and serial number for future reference.

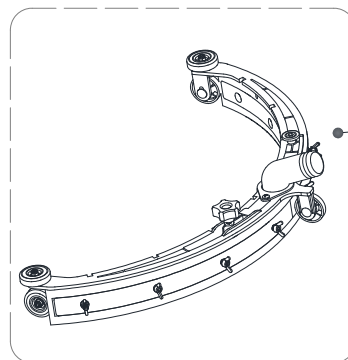
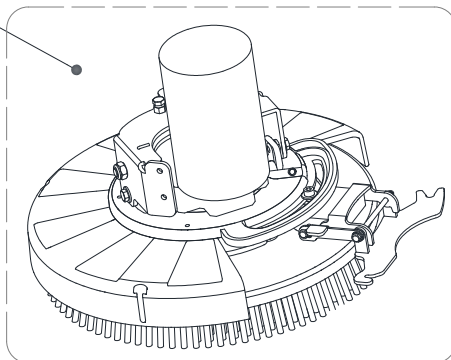
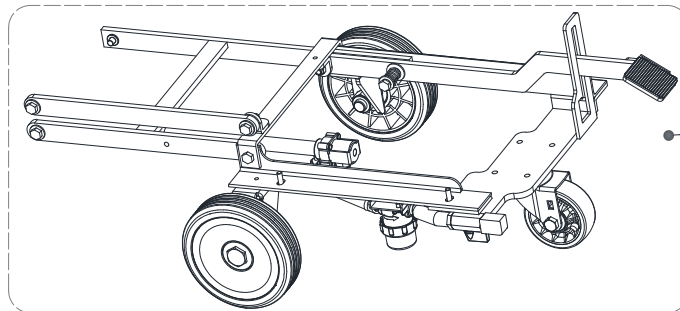
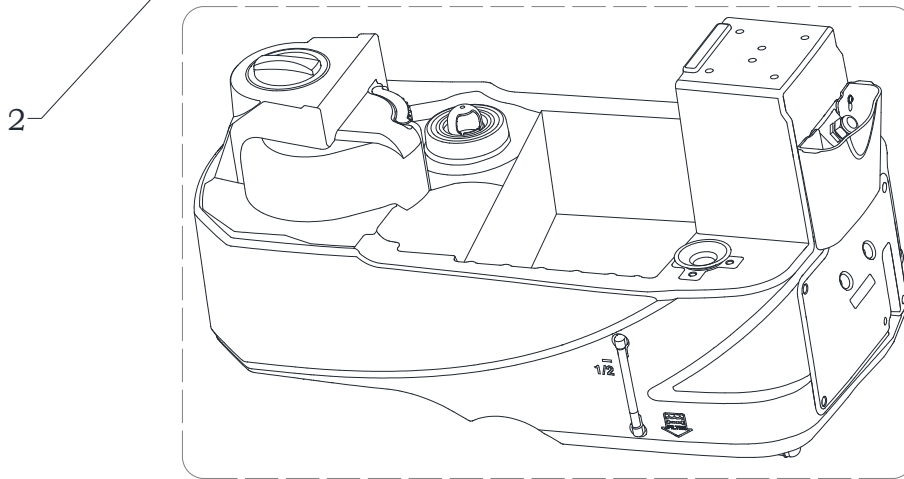
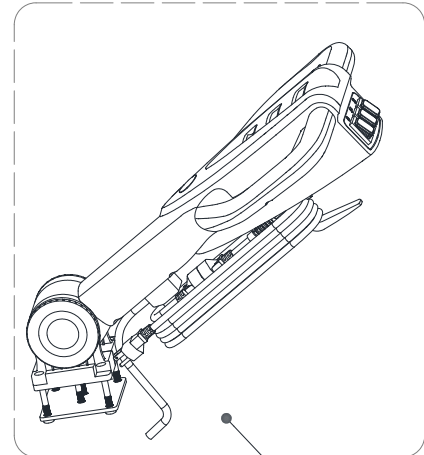
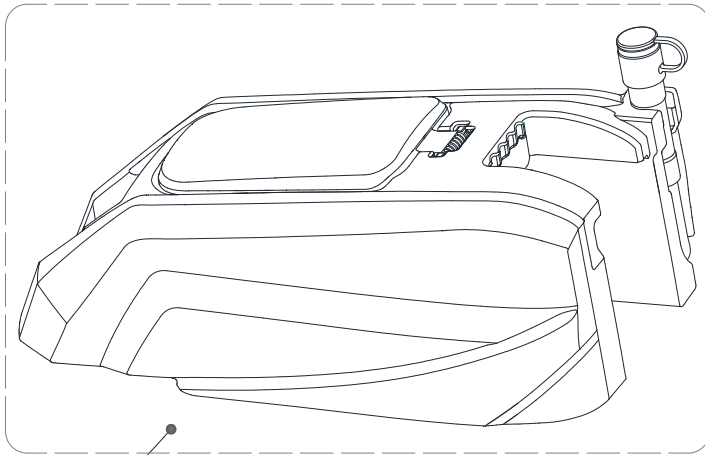
Model

Serial No.

- \* = Optional
- # = Modified item No. or New Item No.
- [] = Not shown

# PARTS LIST

## AS4335C GENERAL VIEW



## PARTS LIST

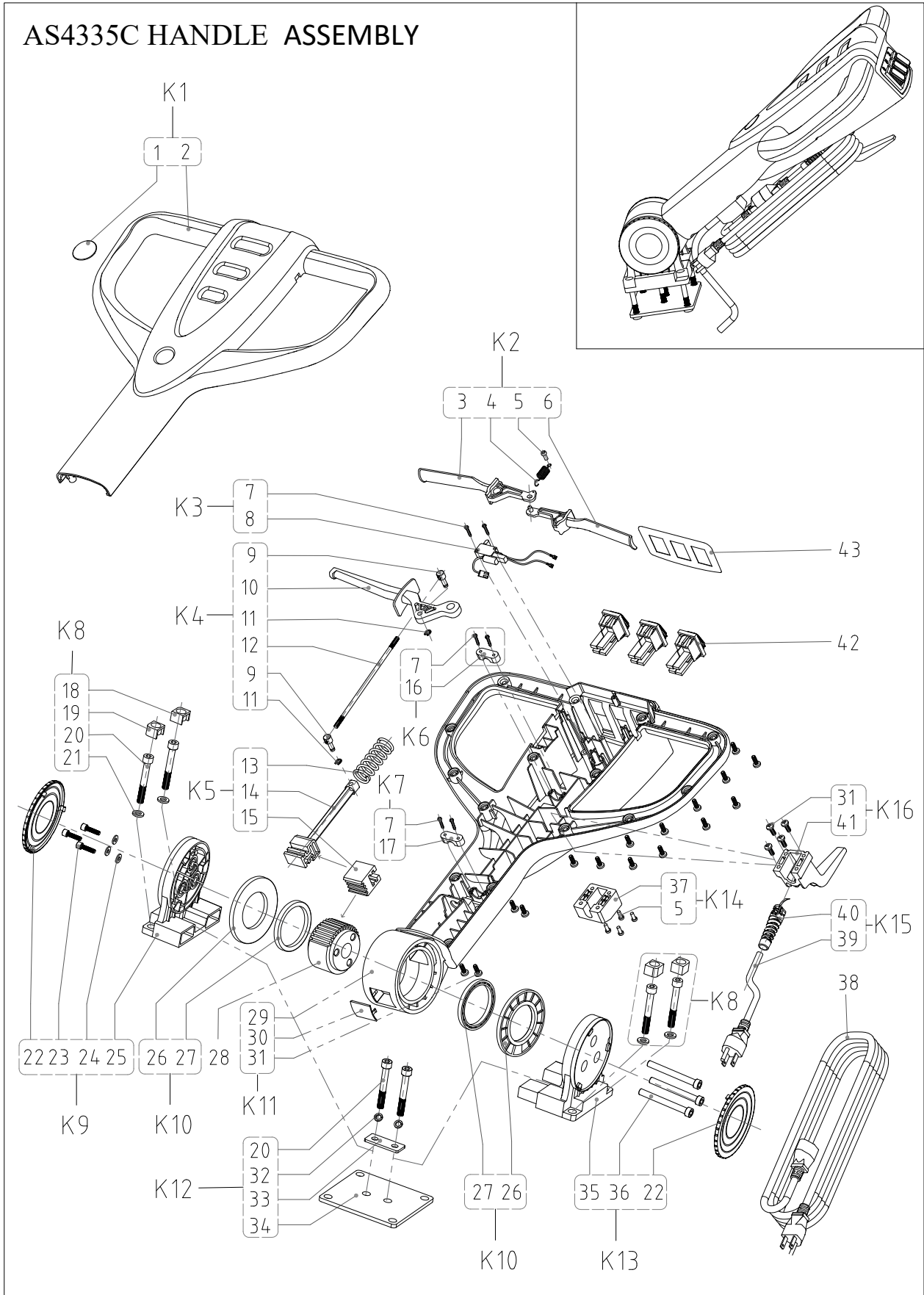
---

### GENERAL VIEW

Item	Description	Qty
1	AS4335C HANDLE ASSEMBLY	1
2	AS4335C RECOVERY TANK ASSEMBLY	1
3	AS4335C SOLUTION TANK ASSEMBLY	1
4	AS4335C CHASSIS ASSEMBLY	1
5	AS4325B & AS4335C SQUEEGEE ASSEMBLY	1
6	AS4335C BRUSH ASSEMBLY	1

# PARTS LIST

## AS4335C HANDLE ASSEMBLY



## PARTS LIST

### AS4335C HANDLE ASSEMBLY

Kit	Item	Part No.	Description	Qty
K1	1		STICKER DROP GLUE	1
K1	2	VS15137	FRONT COVER HANDLE	1
K2	3	VS15132	RIGHT LEVER BRUSH SWITCH	1
K2	4		SPRING	1
K2/K14	5		SCREW ST4X10	5
K2	6	VS15131	LEFT LEVER BRUSH SWITCH	1
K3/K6/K7	7		SCREW ST3X16	6
K3	8	VV81432	MICRO SWITCH	1
K4	9		FIXING END OF PULLING ROD	2
K4	10	VS15133	ADJUST LEVER HANDLE	1
K4	11		WASHER	2
K4	12		PULLING ROD	1
K5	13		SPRING COMPRESSION	1
K5	14	VS15135	CONNECTION ROD	1
K5	15	VS15193	RACK	1
K6	16		CLAMP BOW	1
K7	17		CLAMP CONCAVE	1
K8	18		RUBBER SLEEVE SCREW ROD EDGE	2
K8	19		RUBBER SLEEVE SCREW ROD	2
K8/K12	20		SCREW M8*60	6
K8	21		WASHER OD15.7*ID8.5*T1.5MM	4
K9/K13	22	VS15142	DECORATION COVER HANDLE	2
K9	23		SCREW ROD M5*20	3
K9	24		WASHER ID5XOD12XT1MM	3
K9	25	VS15144	RIGHT FIXING BASE HANDLE	1
K10	26		ANTI ABRATION CIRCLE	2
K10	27		INNER FIXING CIRCLE OF GEAR	2
	28	VS15192	GEAR	1
K11	29	VS15149	REAR COVER HANDLE	1
K11	30	VS15141	SEALING COVER HANDLE	1
K11/K16	31		SCREW PB5X14	20
K12	32		WASHER	2
K12	33		CONNECTION PLATE OF FIXING BASE	1

## PARTS LIST

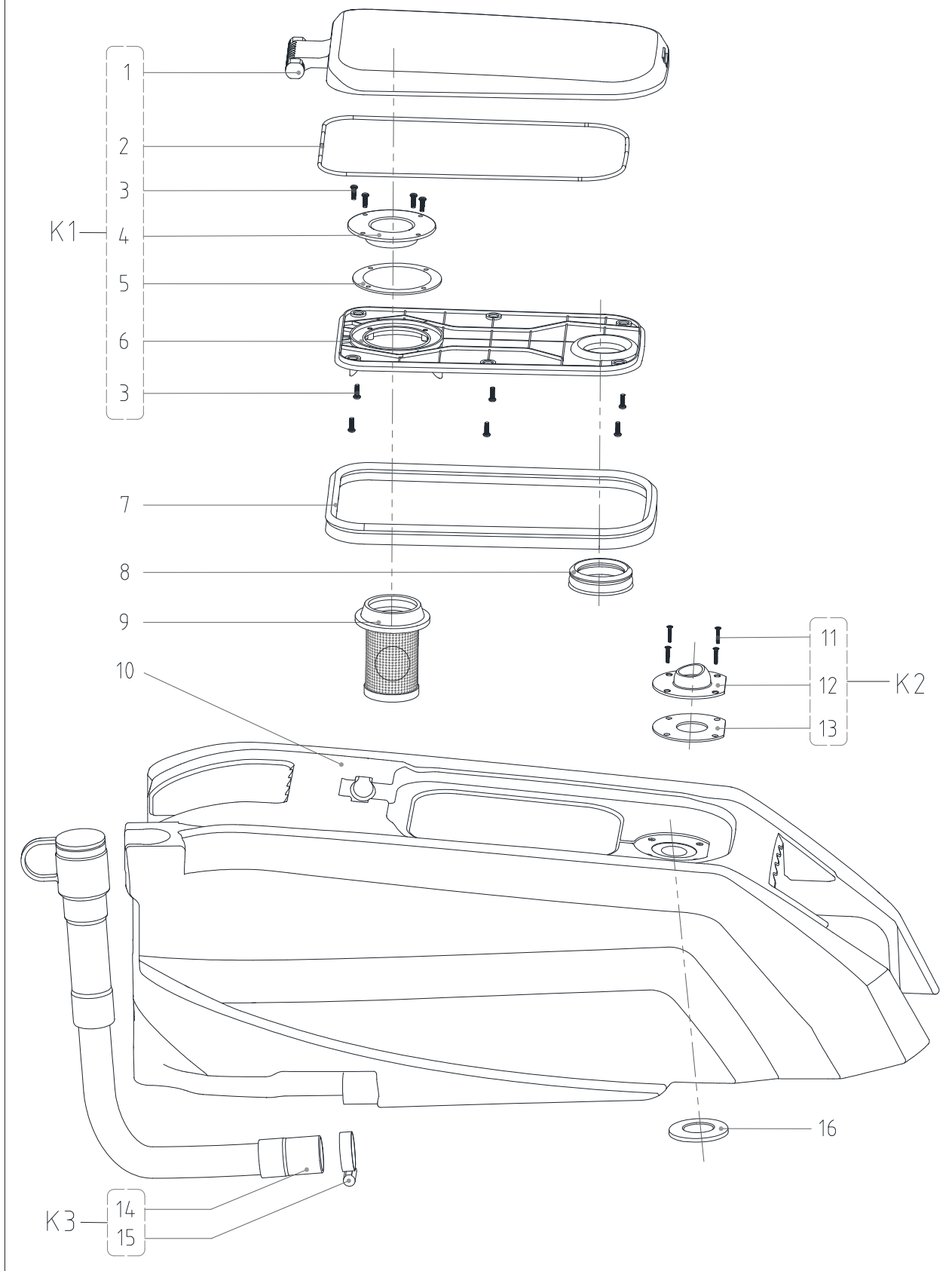
### AS4335C HANDLE ASSEMBLY

Kit	Item	Part No.	Description	Qty
K12	34		FIXING PLATE OF FIXING BASE	1
K13	35	VS15143	LEFT FIXING BASE HANDLE	1
K13	36		FIXING SCREW ROD OF GEAR	3
K14	37		CABLE FIXING BRACKET	1
	38	VF90703-US	POWER CORD 20M US	1
K15	39	VV67507	PIGTAIL CORD KIT US	1
K15	40		CABLE STRAIN RELIEF	1
K16	41		CABLE HOOK	1
	42	VV60153	SWITCH	3
	43	VS15321	DECAL CONTROL PANEL CABLE VERSION	1
	K1	VS15383	FRONT COVER HANDLE KIT	1
	K2	VS15384	LEVER BRUSH SWITCH KIT	1
	K3	VV81063	MICRO SWITCH KIT	1
	K4	VS15385	ADJUST LEVER HANDLE KIT	1
	K5	VS15386	CONNECTION ROD KIT	1
	K6	VA21517A	CLAMP BOW KIT	1
	K7	VV81068	CLAMP CONCAVE KIT	1
	K8	VS15387	RUBBER STOPPER SCREW KIT	2
	K9	VS15388	RIGHT FIXING BASE KIT	1
	K10	VS15389	INNER FIXING CIRCLE OF GEAR KIT	2
	K11	VS15395	REAR COVER HANDLE KIT	1
	K12	VS15391	FIXING PLATE OF FIXING BASE KIT	1
	K13	VS15392	LEFT FIXING BASE KIT	1
	K14	VS15393	CABLE FIXING BRACKET KIT	1
	K15	VV81414	PIGTAIL CORD KIT US	1
	K16	VS15397	CABLE HOOK KIT	1



# PARTS LIST

## AS4335C RECOVERY TANK ASSEMBLY



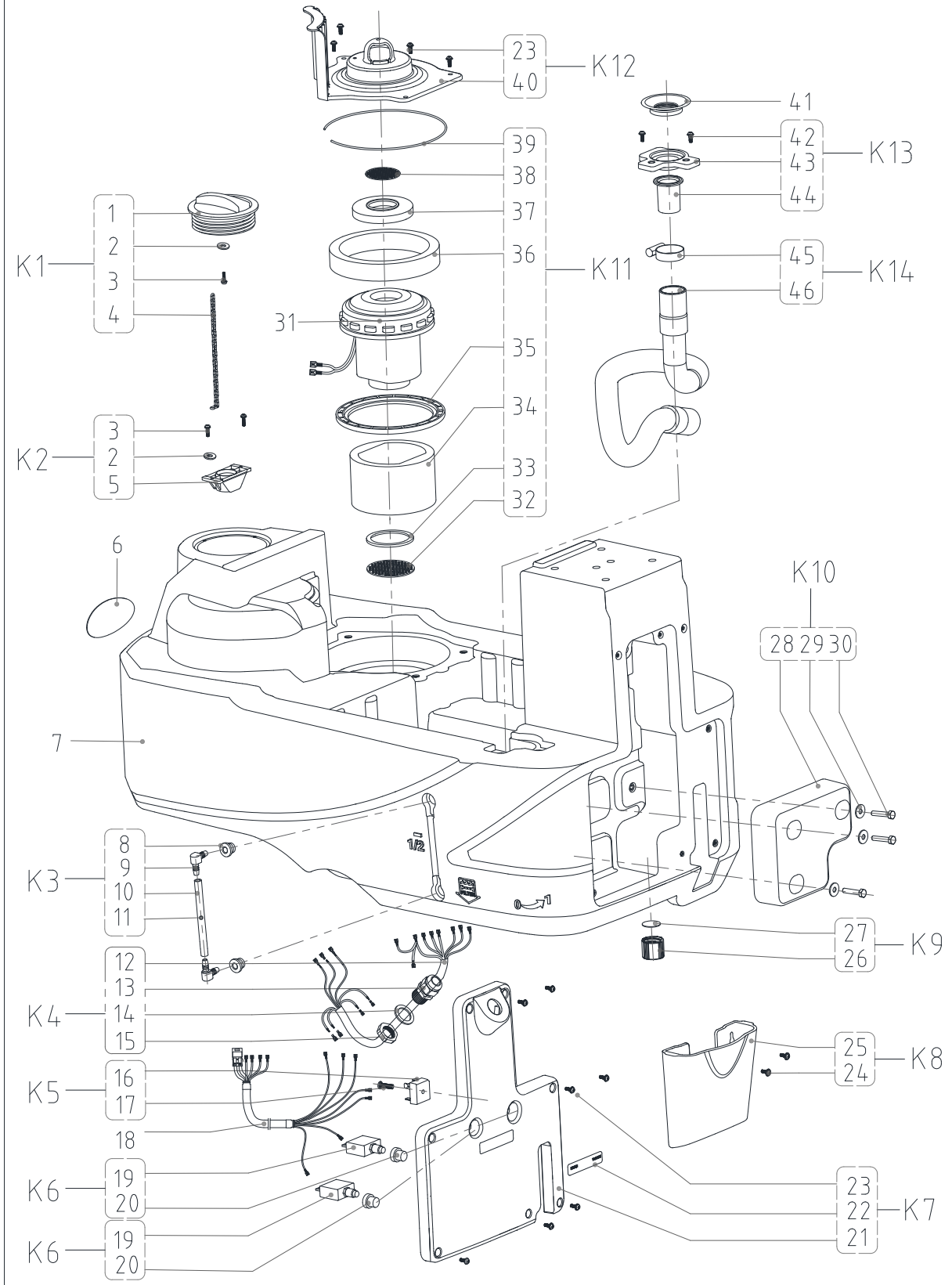
## PARTS LIST

### AS4335C RECOVERY TANK ASSEMBLY

Kit	Item	Part No.	Description	Qty
K1	1		RECOVERY TANK LID	1
K1	2		INNER GASKET OF RECOVERY TANK LID	1
K1	3		SCREW ST4X12	10
K1	4		VACUUM GRID ADAPTOR	1
K1	5		RUBBER GASKET OF ADAPTOR	1
K1	6		BOTTOM BASE OF RECOVERY TANK LID	1
	7	VS15225	GASKET OF RECOVERY TANK LID	1
	8	VS15226	SUCTION PORT ROUND GASKET	1
	9	VS15323	VACUUM GRID WITH AUTOMATIC SHUT-OFF FLOAT	1
	10	VS15161	RECOVERY TANK 35L DARK GREY	1
K2	11		SCREW M4*12	4
K2	12		SUCTION PORT	1
K2	13		SUCTION PORT GASKET	1
K3	14		DRAIN HOSE	1
K3	15	VS15271	CLAMP21-38MM,SUS304	1
	16	VS15320	HIGH ELASTIC GASKET, OD101xID65x8,CR30	1
	K1	VS15398	RECOVERY TANK LID ASSEMBLY	1
	K2	VS15399	SUCTION PORT KIT	1
	K3	VS15400	DRAIN HOSE KIT	1

# PARTS LIST

## AS4335C SOLUTION TANK ASSEMBLY



## PARTS LIST

### AS4335C SOLUTION TANK ASSEMBLY

Kit	Item	Part No.	Description	Qty
K1	1	VF80304-010	SOLUTION COVER	1
K1/K2	2		WASHER ID4*OD12*1MM	2
K1/K2	3		SCREW TA3.5X12	3
K1	4		ZIPPER	1
K2	5		INLET PIPE FRAME	1
	6	VS15231	LOGO LABEL	1
	7	VS15162	SOLUTION TANK 35L DARK GREY	1
K3	8		JOINTS GASKET	2
K3	9		ELBOW, 90°	2
K3	10		HOSE FRESH WATER LEVEL	1
K3	11		FLOATING BALL OF WATER LEVEL	1
K4	12		COMMUNICATION CABLE	1
K4	13		CABLE STRAIN RELIEF	1
K4	14		GASKET	1
K4	15		CABLE STRAIN RELIEF NUT	1
K5	16	VS15016	RECTIFIER 1000V 50A	1
K5	17		SCREW ST4.0X16	1
	18	VS15034	CONNECTION WIRE ASSEMBLY	1
K6	19	VV81407	CIRCUIT BREAKER 4A US	2
K6	20		WATERPROOF CAP	2
K7	21		REAR COVER	1
K7	22	VS15233	CIRCUIT BREAKER LABEL	1
K7/K12	23		SCREW PWM4.0*12mm	11
K8*	24		SCREW WITH WASHER PWM4.0*14mm	2
K8*	25		BACK ACCESSORY BOX	1
K9	26		SOLUTION OUTLET COVER	1
K9	27		GASKET	1
K10	28		COUNTER WEIGHT	1
K10	29		WASHER ID6*OD18*T1.5	3
K10	30		SCREW M6X30	3
	31	VS15004	MOTOR VACUUM 110~120V 60HZ	1

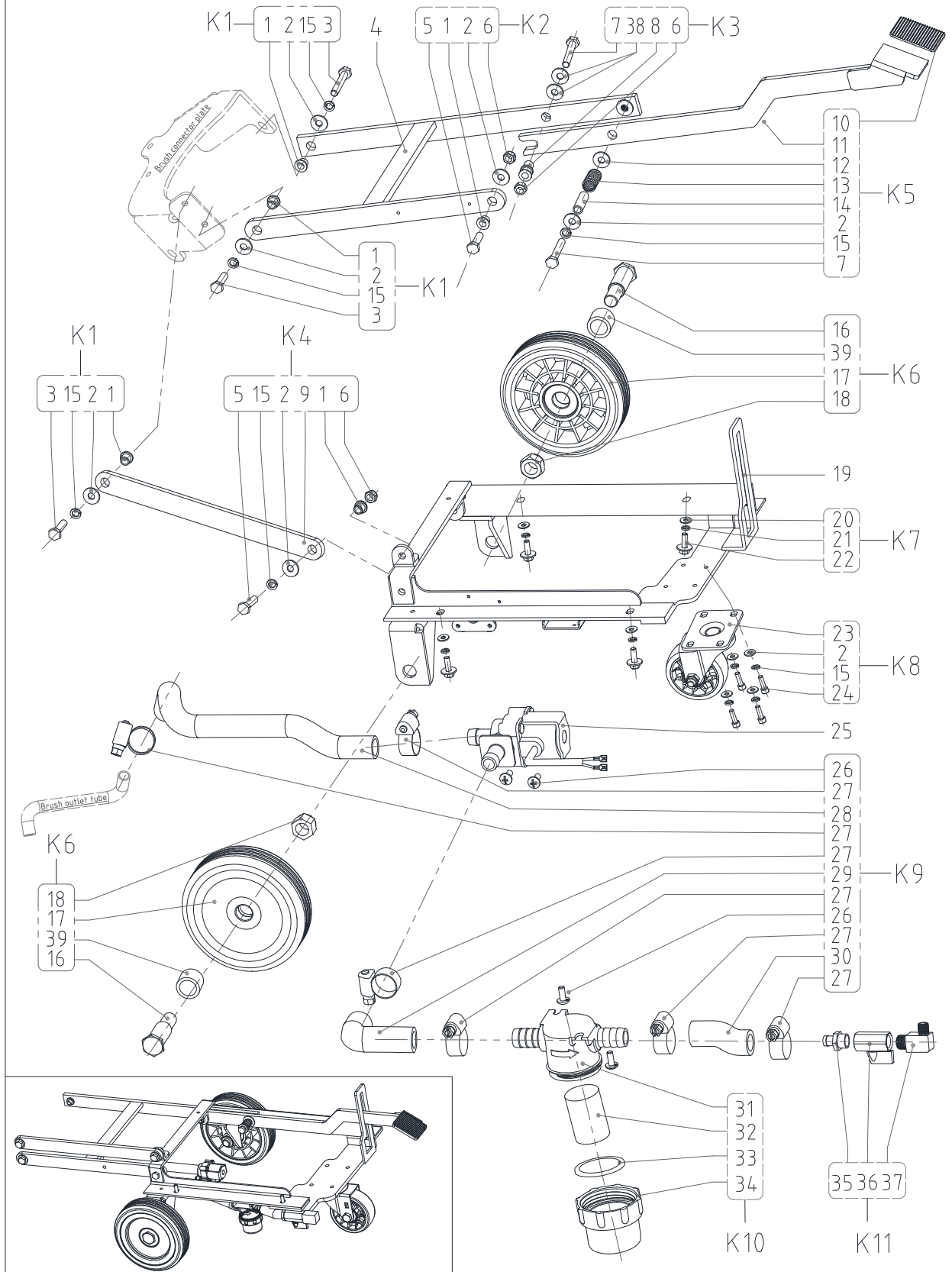
## PARTS LIST

### AS4335C SOLUTION TANK ASSEMBLY

Kit	Item	Part No.	Description	Qty
K11	32		INTLET AIR FILTER GRIM	1
K11	33		INTLET AIR GASKET	1
K11	34		BOTTOM ACOUSTIC INSULATION PIPE	1
K11	35		MIDDLE GASKET	1
K11	36		UP ACOUSTIC INSULATION PIPE	1
K11	37		TOP GASKET	1
K11	38		INLET AIR FILTER FRIM	1
K11	39		EVA GASKET	1
K12	40		VACUUM MOTOR COVER	1
	41	VS15240	DRAIN HOSE GASKET	1
K13	42		SCREW M4x12mm	2
K13	43		BRACKET SUCTION HOSE	1
K13	44		CONNECTOR SUCTION HOSE	1
K14	45	VS15271	CLAMP21-38MM,SUS304	1
K14	46		SUCTION HOSE	1
	K1	VS15401	SOLUTION COVER KIT	1
	K2	VS15402	INLET PIPE FRAME KIT	1
	K3	VS15403	HOSE FRESH WATER LEVEL KIT	1
	K4	VS15416	COMMUNICATION CABLE KIT	1
	K5	VS15417	RECTIFIER KIT	1
	K6	VS15419	CIRCUIT BREAKER 4A US KIT	2
	K7	VS15420	REAR COVER KIT	1
	K8*	VS15409	BACK ACCESSORY BOX KIT	1
	K9	VF89110A	SOLUTION OUTLET COVER KIT	1
	K10	VS15421	COUNTER WEIGHT KIT	1
	K11	VS15412	GASKET VACUUM MOTOR KIT	1
	K12	VS15413	VACUUM MOTOR COVER KIT	1
	K13	VS15414	BRACKET SUCTION HOSE KIT	1
	K14	VS15415	SUCTION HOSE KIT	1

# PARTS LIST

## AS4335C CHASSIS ASSEMBLY



# PARTS LIST

## AS4335C CHASSIS ASSEMBLY

Kit	Item	Part No.	Description	Qty
K1/K2/K4	1		BUSHING	5
K1/K2/ K4/K5/K8	2		WASHER	10
K1	3		SCREW M8x25	3
	4	VS15101	BRUSH LIFTING SUPPORT	1
K2/K4	5		SCREW M8x30	2
K2/K3/K4	6		NUT M8	3
K3/K5	7		SCREW M8x50	2
K3	8		STEPS BUSHING	1
K4	9	VS15102	FRONT PEDAL BRUSH LIFTING	1
K5	10	VS10613	PEDAL LEVER GASKET	1
K5	11	VS15103	BACK PEDAL BRUSH AND SQUEEGEE LIFTING	1
K5	12		WASHER $\phi$ 12* $\phi$ 24*2	1
K5	13		RESET SPRING	1
K5	14		BUSHING	1
K1/K4/ K5/K8	15		WASHER DIAMETER 8MM	9
K6	16		WHEEL SHAFT	2
K6	17	VF80115B	WHEEL 6 INCH	2
K6	18		NUT M16	2
	19	VS15100	CHASSIS	1
K7	20		SPRING WASHER	4
K7	21		WASHER DIAMETER 6MM	4
K7	22		SCREW M6*25	4
K8	23	VS15327	3.5 INCH CASTER	1
K8	24		SCREW M8x20	4
	25	VS15014	110V AC SOLENOID VALVE	1
K9	26		SCREW M4*10	4
K9	27	VV10114	CLAMP 3/8"	6
K9	28		HOSE $\phi$ 20MM L400mm	1
K9	29		HOSE WITH SPRING	1
K9	30		OULET HOSE $\phi$ 20MM	1
K10	31		FILTER BASE	1

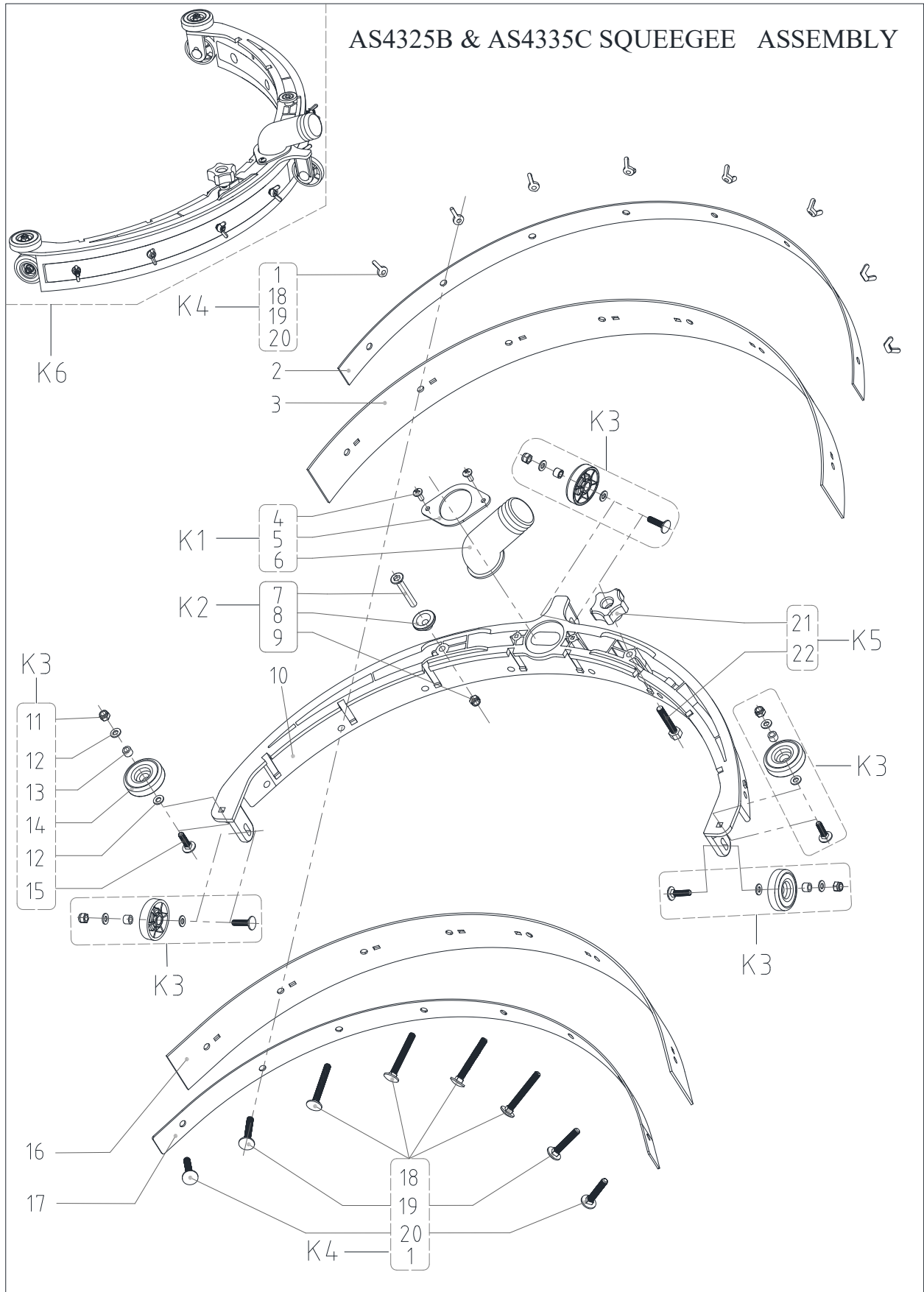
# PARTS LIST

## AS4335C CHASSIS ASSEMBLY

Kit	Item	Part No.	Description	Qty
K10	32	VF90608	FILTER NET	1
K10	33	VF90607	O-RING	1
K10	34	VF90603	FILTER COVER	1
K11	35		STRAIGHT CONNECTOR	1
K11	36	VF80361	WATER VOLUME REGULATING VALVE	1
K11	37		RIGHT ANGLE CONNECTOR	1
K2	38		PA WASHER	2
K6	39		BUSHING1	2
	K1	VS15422	SCREW KIT 1	3
	K2	VS15423	SCREW KIT 2	1
	K3	VS15424	FORNT PEDAL BRUSH LIFTING SCREW KIT	1
	K4	VS15425	SCREW KIT 3	1
	K5	VS15426	BACK PEDAL BRUSH LIFTING KIT	1
	K6	VS15427	WHEEL 6 INCH KIT	2
	K7	VS15428	SCREW KIT 4	1
	K8	VS15429	3.5 INCH CASTER KIT	1
	K9	VS15433	SOLUTION HOSE KIT	1
	K10	VF90621	FILTER KIT	1
	K11	VF90624	WATER VOLUME REGULATING VALVE KIT	1



# PARTS LIST



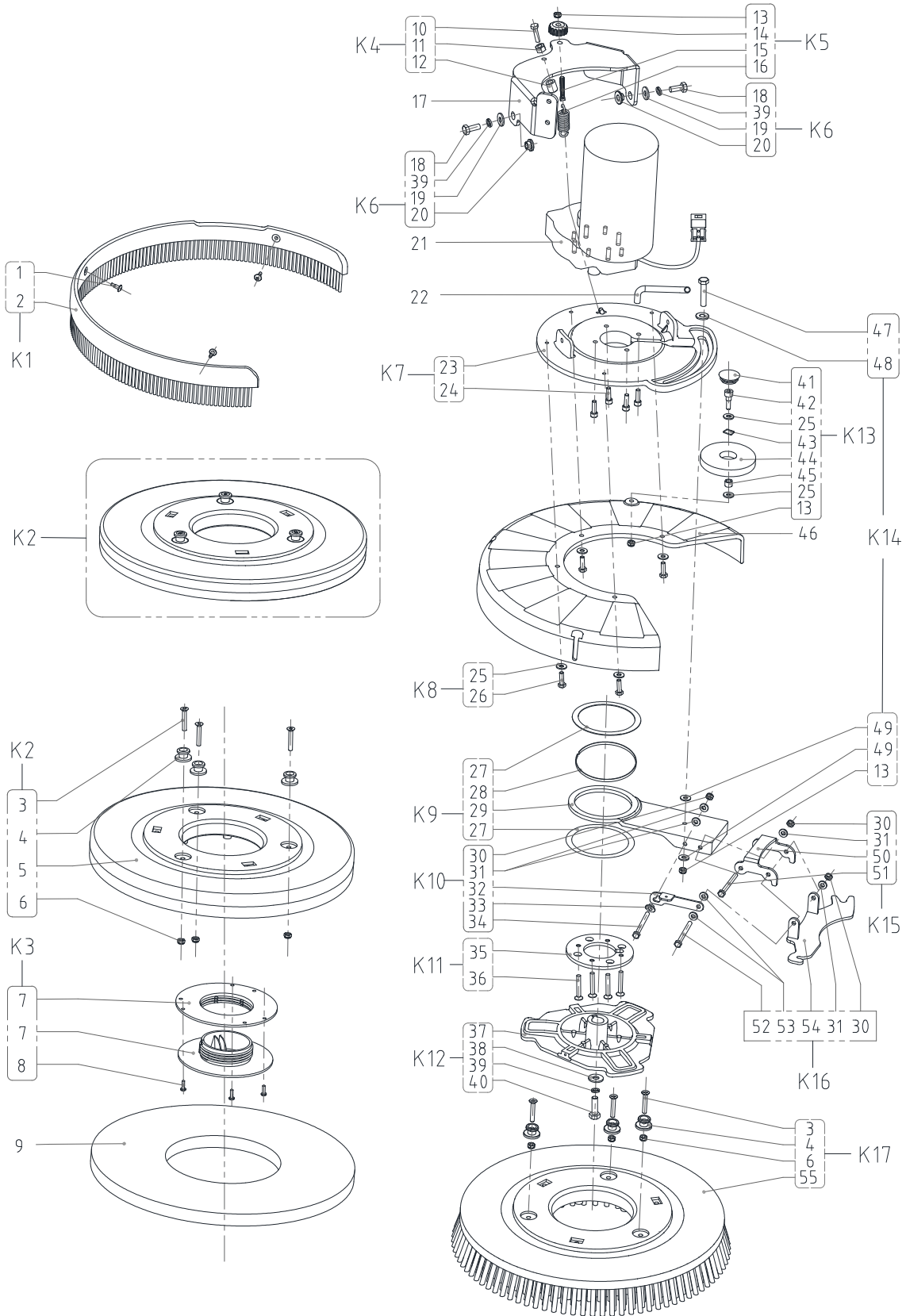
## PARTS LIST

### AS4325B & AS4335C SQUEEGEE ASSEMBLY

Kit	Item	Part No.	Description	Qty
K4	1	VS15267	WING NUT M5	8
	2	VS15109	SQUEEGEE REAR STRAP	1
	3a	VS15204	NR REAR BLADE NON MARKING	1
	3b*	VS15205	PU REAR BLADE NON MARKING	1
	3c*	VS15206	LINATEX REAR BLADE	1
K1	4		SCREW TM4*12	2
K1	5		RETAINER	1
K1	6	VS15160	BEND CONNECTOR	1
K2	7		SCREW M6×40	1
K2	8		STUD	1
	9		NUT M6	1
	10	VS15252	SQUEEGEE TOOL	1
K3	11		NUT M5	5
K3	12		WASHER OD14.7xID5.5xT1.2mm	10
K3	13		SPACER	5
K3	14	VS15158	SQUEEGEE WHEEL	5
K3	15		SCREW M5X20	5
	16a	VS15201	NR FRONT BLADE NON MARKING	1
	16b*	VS15202	PU FRONT BLADE NON MARKING	1
	16c*	VS15203	LINATEX FRONT BLADE	1
	17	VS15108	SQUEEGEE FRONT STRAP	1
K4	18		SCREW M5X40	4
K4	19		SCREW M5X30	2
K4	20		SCREW M5X25	2
K5	21	VS15159	SQUEEGEE KNOB	1
K5	22		SCREW M6X35	1
	K1	VS15434	BEND CONNECTOR KIT	1
	K2	VS15435	STUD KIT	1
	K3	VS15436	SQUEEGEE WHEEL KIT	5
	K4	VS15437	SQUEEGEE SCREW KIT	1
	K5	VS15438	SQUEEGEE KNOB KIT	1
	K6	VS15373	SQUEEGEE ASSEMBLY	1

# PARTS LIST

## AS4335C BRUSH ASSEMBLY



# PARTS LIST

## AS4335C BRUSH ASSEMBLY

Kit	Item	Part No.	Description	Qty
K1	1		SCREW M4	3
K1	2		SKIRT DECK	1
K2/K17	3		SCREW M6*40	6
K2/K17	4	VS15332	STUD	6
K2	5		PAD HOLDER 17 INCH	1
K2/K17	6		NUT M6	6
K3*	7*	VF99003A	RETAINER PAD	1
K3*	8*	VA13477	SCREW ST4x15	3
	9*		PAD 17 432MM	1
K4	10		SCREW M8x40	1
K4	11		NUT M8	1
K4	12	VF80241	PLASTIC REGULATING FULCRUM	1
K5/K13/K14	13		NUT M6	3
K5	14	VP11007	STRAIGHT MOVING ADJUSTING KNOB	1
K5	15		SCREW	1
K5	16		SPRING	1
	17	VS15104	BRACKET BRUSH MOTOR	1
K6	18		SCREW M8x25	2
K6	19		WASHER ID8*OD20*T2MM	2
K6	20		SPACER	2
	21	VS15000	BRUSH MOTOR 120V AC ASSEMBLY	1
	22	VS15111	INLET TUBE	1
K7	23		MOTOR FIXING PLATE	1
K7	24		SCREW M6X20	4
K8/K13	25		WASHER ID6*OD18*T1.5mm	6
K8	26		SCREW M6X20	4
K9	27	VS15154	WEAR RESISTANT WASHER	2
K9	28	VS15329	ROTATION CIRCLE	1
K9	29	VS15155	SQUEEGEE ROTATION ARM	1
K10/K15/K16	30		NUT M5	3
K10/K15/K16	31		WASHER ID5*OD10*T1.0mm	4
K10	32	VS15112	LIFTING HANDLE FOR SQUEEGEE	1
K10	33		SPACER	1

## PARTS LIST

### AS4335C BRUSH ASSEMBLY

Kit	Item	Part No.	Description	Qty
K10	34		SCREW $\Phi$ 6xM5x104mm	1
K11	35		SQUEEGEE TRAY	1
K11	36		SCREW M6x16	4
K12	37	VS15253	HUB BRUSH GEAR MOTOR	1
K12	38		WASHER ID8.4XOD28*T2MM	1
K6/K12	39		WASHER DIAMETER 8mm	3
K12	40		SCREW M8x30	1
K13	41	VF85128	CAP. BLACK	1
K13	42		SCREW M6X25	1
K13	43		LOCKWASHER	1
K13	44		ROLLER BUMPER	1
K13	45		SPACER	1
	46	VS15156	BRUSH DECK	1
K14	47		SCREW M6	1
K14	48		WASHER	1
K14	49		WASHER ID6XOD22X1.5MM	2
K15	50	VS15105	SQUEEGEE CONNECTION FRAME	1
K15	51		SCREW $\Phi$ 6xM5x96.5mm	1
K16	52		SCREW $\Phi$ 6xM5x114mm	1
K16	53		WASHER ID6XOD13X2MM	2
K16	54	VS15106	SQUEEGEE BRACKET	1
K17	55		BRUSH	1
	K1	VS15439	SKIRT BRISTLE KIT	1
	K2	VS15440	PAD HOLDER KIT	1
	K3*	VS15441	RETAINER PAD KIT	1
	K4	VS15442	REGULATING FULCRUM KIT	1
	K5	VS15443	STRAIGHT ADJUSTING KNOB KIT	1
	K6	VS15444	SCREW KIT1	2
	K7	VS15445	MOTOR FIXING PLATE KIT	1
	K8	VS15446	SCREW KIT2	1
	K9	VS15447	SQUEEGEE ROTATION ARM KIT	1

## PARTS LIST

---

### AS4335C BRUSH ASSEMBLY

<b>Kit</b>	<b>Item</b>	<b>Part No.</b>	<b>Description</b>	<b>Qty</b>
	K10	VS15448	LIFTING HANDLE FOR SQUEEGEE KIT	1
	K11	VS15449	SQUEEGEE TRAY KIT	1
	K12	VS15450	HUB BRUSH R.GEARMOTOR RIGHT KIT	1
	K13	VS15454	ROLLER BUMPER KIT	1
	K14	VS15451	SCREW KIT3	1
	K15	VS15452	SQUEEGEE CONNECTION FRAME KIT	1
	K16	VS15453	SQUEEGEE BRACKET KIT	1
	K17	VS15374	BRUSH KIT	1

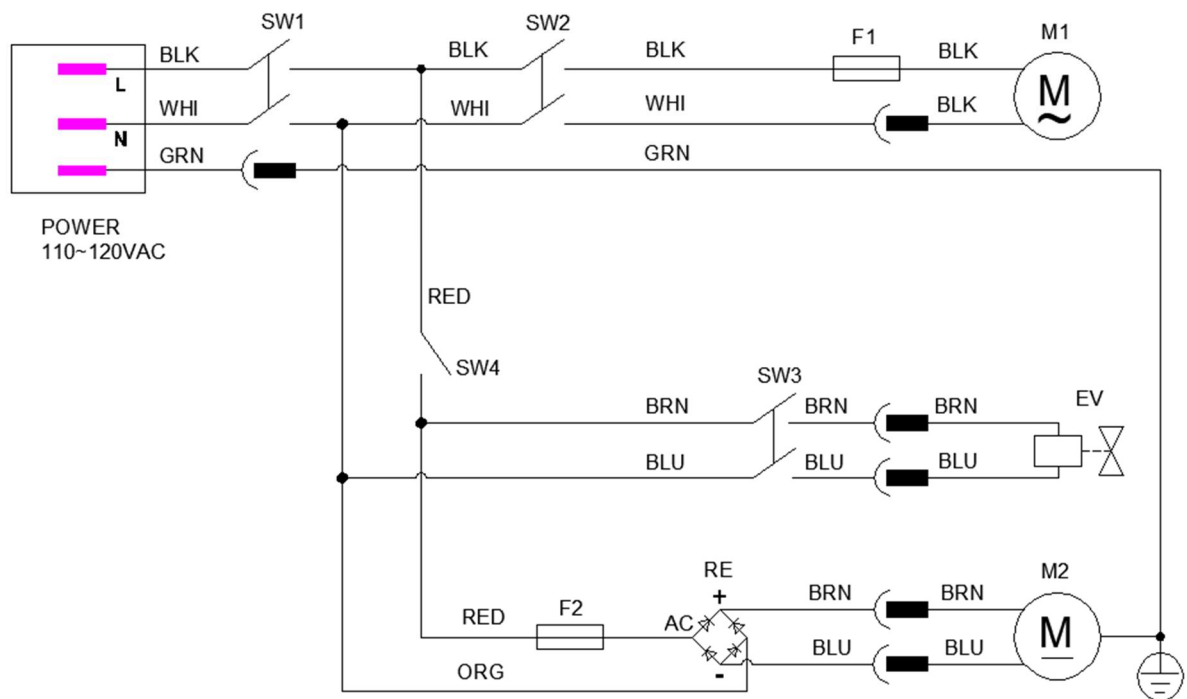
## PARTS LIST

### WEAR AND TEAR PARTS

Kit	Item	Part No.	Description	Qty
	1	VS15132	RIGHT LEVER BRUSH SWITCH	1
	2	VS15131	LEFT LEVER BRUSH SWITCH	1
	3	VV81432	MICRO SWITCH	1
	4	VS15133	ADJUST LEVER HANDLE	1
	5	VS15192	GEAR	1
	6	VV60153	SWITCH	1
	7	VS15386	CONNECTION ROD KIT	1
	8	VS15225	GASKET OF RECOVERY TANK LID	1
	9	VS15323	VACUUM GRID WITH AUTOMATIC SHUT-OFF FLOAT	1
	10	VS15400	DRAIN HOSE KIT	1
	11	VS15016	RECTIFIER 1000V 50A	1
	12	VS15419	CIRCUIT BREAKER 4A US KIT	1
	13	VS15004	MOTOR VACUUM 110~120V 60HZ	1
	14	VS15403	HOSE FRESH WATER LEVEL KIT	1
	15	VF89110A	SOLUTION OUTLET COVER KIT	1
	16	VS15415	SUCTION HOSE KIT	1
	17	VF80115B	WHEEL 6 INCH	1
	18	VS15327	3.5 INCH CASTER	1
	19	VS15014	110V AC SOLENOID VALVE	1
	20	VF90621	FILTER KIT	1
	21	VS15204	NR REAR BLADE NON MARKING	1
	22	VS15160	BEND CONNECTOR	1
	23	VS15201	NR FRONT BLADE NON MARKING	1
	24	VS15159	SQUEEGEE KNOB	1
	25	VS15436	SQUEEGEE WHEEL KIT	5
	26	VS15437	SQUEEGEE SCREW KIT	1
	27	VS15253	HUB BRUSH GEAR MOTOR	1
	28	VS15000	BRUSH MOTOR 120V AC ASSEMBLY	1

# PARTS LIST

## AS4335C 110-120V WIRING DIAGRAM



Kit	Item	Part No.	Description	Qty
	SW1	VV60153	SWITCH RL(2)P DPST	1
	SW2	VV60153	SWITCH RL(2)P DPST	1
	SW3	VV60153	SWITCH RL(2)P DPST	1
	SW4	VV81432	MICRO SWITCH	1
	F1	VV81407	CIRCUIT BREAKER 4A	1
	F2	VV81407	CIRCUIT BREAKER 4A	1
	M1	VS15000	BRUSH MOTOR 110-120V 250W	1
	EV	VS15014	SOLENOID VALVE 110VAC	1
	M2	VS15004	MOTOR VACUUM 110~120V 60HZ	1
	RE	VS15016	RECTIFIER 1000V 50A	1



**Nilfisk Inc.**  
**9435 Winnetka Avenue North**  
**Minneapolis, MN 55445**  
**[www.usviper.com](http://www.usviper.com)**

**Nilfisk Canada**  
**Mississauga, ON, Canada**  
**800.668.8400**

