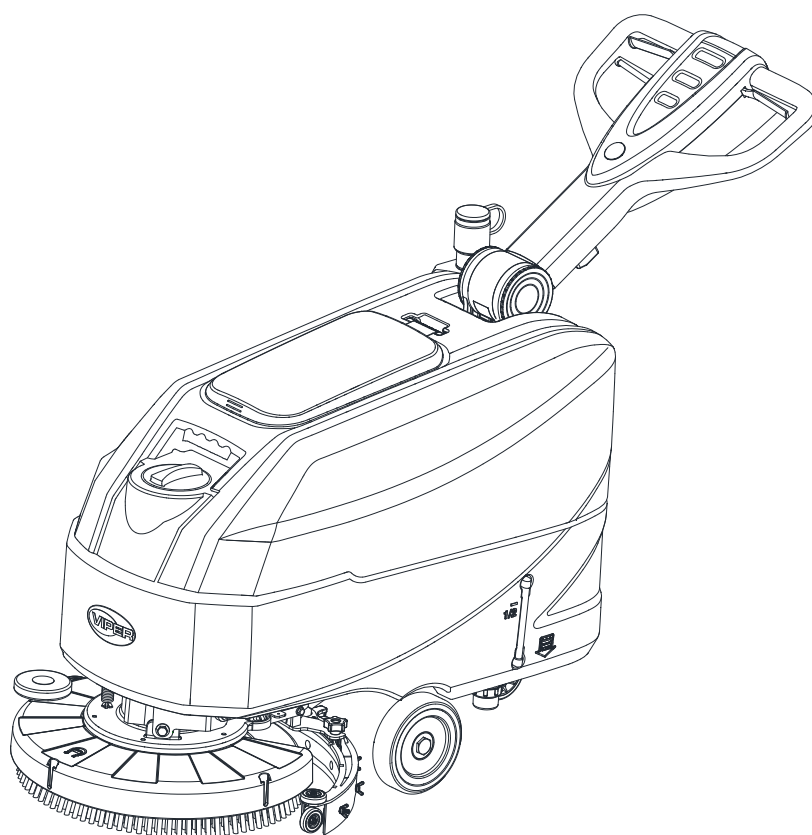


# AS4325B

## PARTS LIST



Model No.: 50000580/50000588

Rev. C 23.Apr. 2020



# PARTS LIST

## TABLE OF CONTENTS

|  |    |
|--|----|
| GENERAL VIEW.....                        | 2  |
| AS4325B HANDLE ASSEMBLY.....             | 4  |
| AS4325B RECOVERY TANK ASSEMBLY.....      | 7  |
| AS4325B SOLUTION TANK ASSEMBLY.....      | 9  |
| AS4325B CHASSIS ASSEMBLY .....           | 13 |
| AS4325B & AS4335C SQUEEGEE ASSEMBLY..... | 16 |
| AS4325B BRUSH ASSEMBLY.....              | 18 |
| AS4325B WEAR AND TEAR PARTS .....        | 22 |
| AS4325B WIRING DIAGRAM .....             | 23 |

### WHEN ORDERING PARTS

- \*Use the part numbers from the "Part. No." columns in this parts list.
- \*Specify the model and serial number of the machine.
- \*Use the space below to record the model and serial number for future reference.

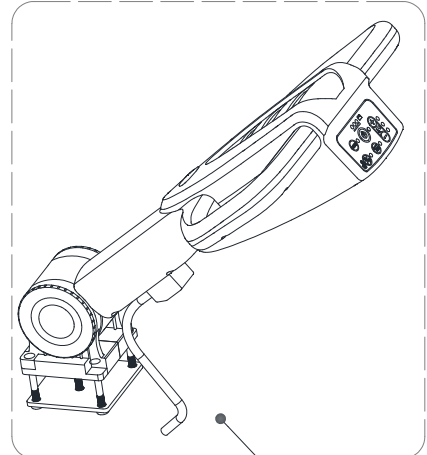
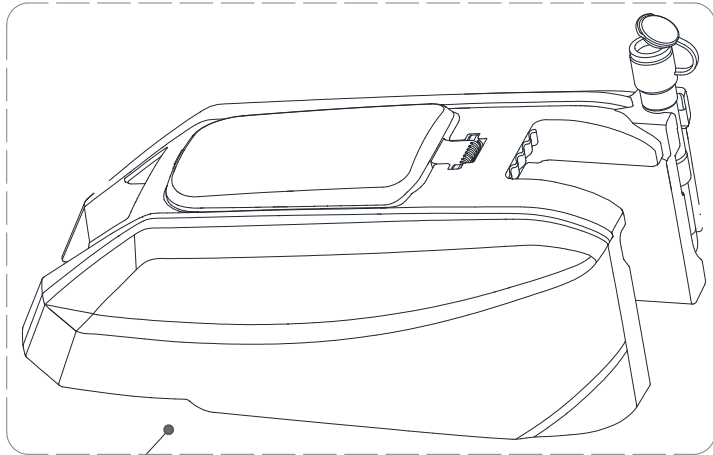
Model

Serial No.

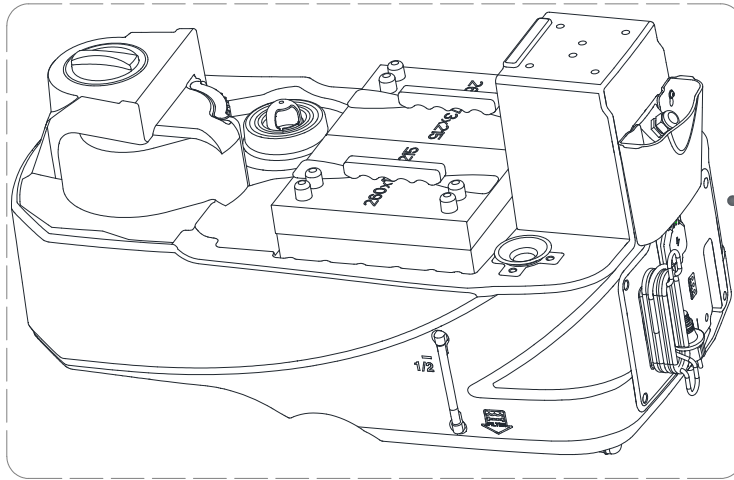
- \* = Optional
- # = Modified item No. or New Item No.
- [] = Not shown

# PARTS LIST

## AS4325B GENERAL VIEW

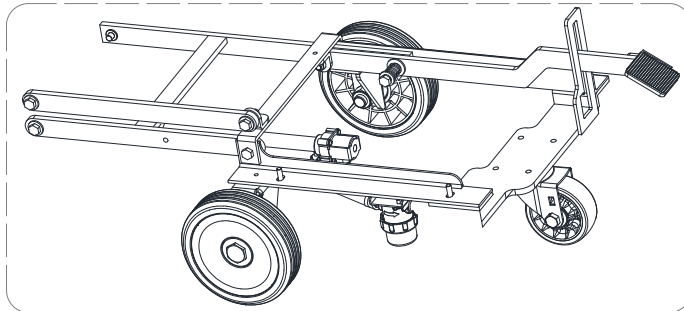


2



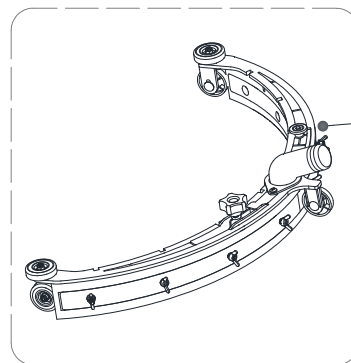
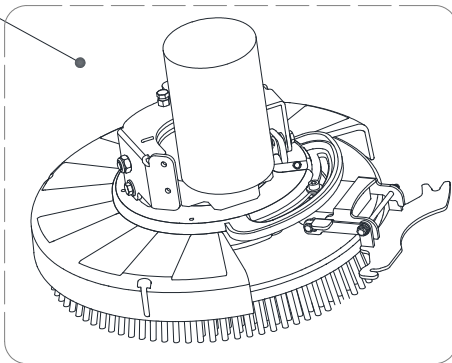
1

3



4

6



5

## PARTS LIST

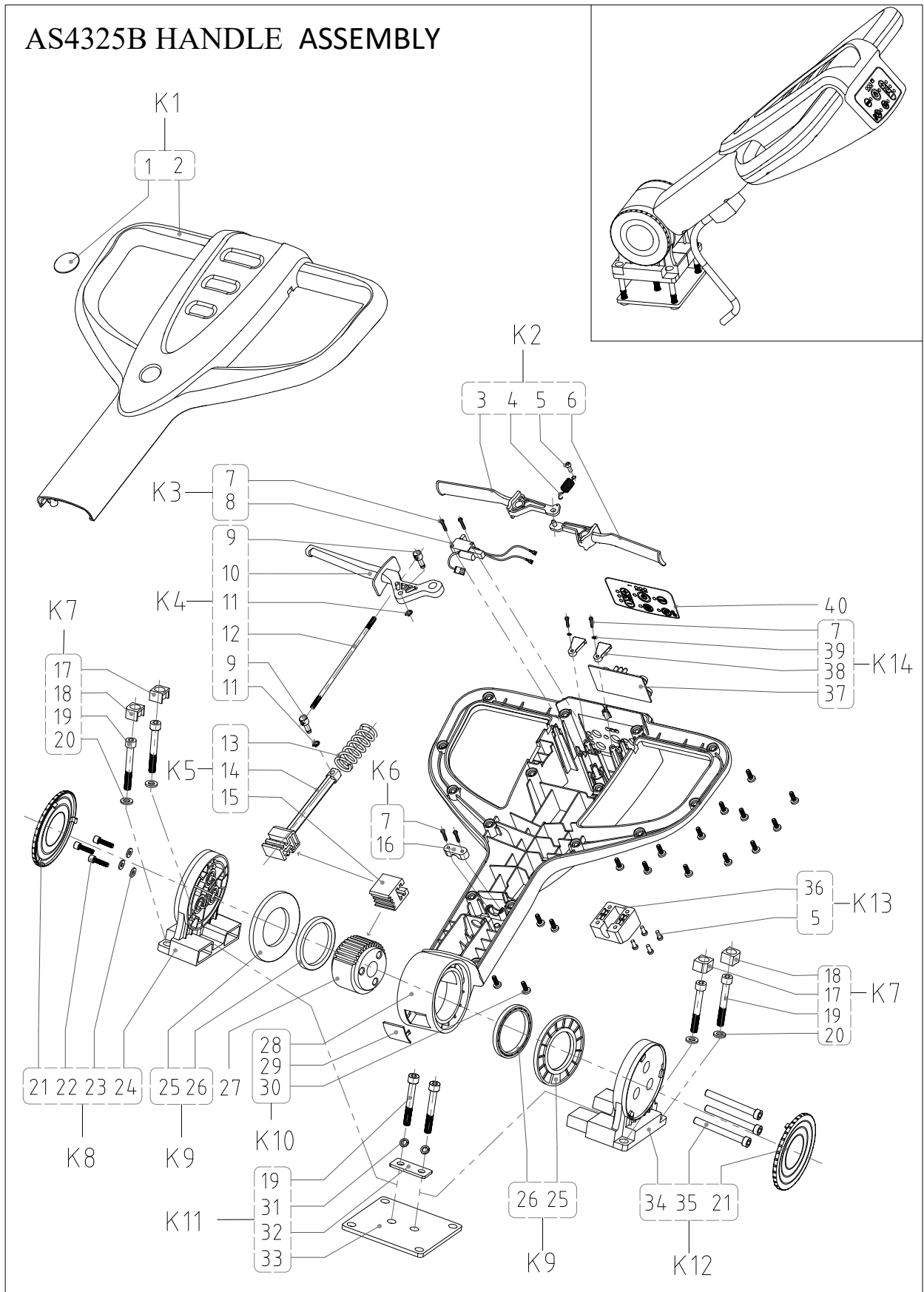
---

### GENERAL VIEW

| Item | Description                         | Qty |
|------|-------------------------------------|-----|
| 1    | AS4325B HANDLE ASSEMBLY             | 1   |
| 2    | AS4325B RECOVERY TANK ASSEMBLY      | 1   |
| 3    | AS4325B SOLUTION TANK ASSEMBLY      | 1   |
| 4    | AS4325B CHASSIS ASSEMBLY            | 1   |
| 5    | AS4325B & AS4335C SQUEEGEE ASSEMBLY | 1   |
| 6    | AS4325B BRUSH ASSEMBLY              | 1   |

# PARTS LIST

## AS4325B HANDLE ASSEMBLY



## PARTS LIST

### AS4325B HANDLE ASSEMBLY

| Kit       | Item | Part No. | Description                     | Qty |
|-----------|------|----------|---------------------------------|-----|
| K1        | 1    |          | STICKER DROP GLUE               | 1   |
| K1        | 2    | VS15137  | FRONT COVER HANDLE              | 1   |
| K2        | 3    | VS15132  | RIGHT LEVER BRUSH SWITCH        | 1   |
| K2        | 4    |          | SPRING                          | 1   |
| K2/K13    | 5    |          | SCREW ST4X10MM                  | 5   |
| K2        | 6    | VS15131  | LEFT LEVER BRUSH SWITCH         | 1   |
| K3/K6/K14 | 7    |          | SCREW ST3X16MM                  | 6   |
| K3        | 8    | VV81432  | MICRO SWITCH                    | 1   |
| K4        | 9    |          | FIXING END OF PULLING ROD       | 2   |
| K4        | 10   | VS15133  | ADJUST LEVER HANDLE             | 1   |
| K4        | 11   |          | LOCKWASHER                      | 2   |
| K4        | 12   |          | PULLING ROD                     | 1   |
| K5        | 13   |          | SPRING COMPRESSION              | 1   |
| K5        | 14   | VS15135  | CONNECTION ROD                  | 1   |
| K5        | 15   | VS15193  | RACK                            | 1   |
| K6        | 16   |          | CLAMP                           | 1   |
| K7        | 17   |          | RUBBER SLEEVE SCREW ROD EDGE    | 2   |
| K7        | 18   |          | RUBBER SLEEVE SCREW ROD         | 2   |
| K7/K11    | 19   |          | SCREW ROD M8                    | 6   |
| K7        | 20   |          | WASHER OD15.7XID8.5XT1.5MM      | 4   |
| K8/K12    | 21   | VS15142  | DECORATION COVER HANDLE         | 2   |
| K8        | 22   |          | SCREW M5X20MM                   | 3   |
| K8        | 23   |          | WASHER ID5XOD12XT1MM            | 3   |
| K8        | 24   | VS15144  | RIGHT FIXING BASE HANDLE        | 1   |
| K9        | 25   |          | ANTI ABRATION CIRCLE            | 2   |
| K9        | 26   |          | INNER FIXING CIRCLE OF GEAR     | 2   |
|           | 27   | VS15192  | GEAR                            | 1   |
| K10       | 28   | VS15136  | REAR COVER HANDLE               | 1   |
| K10       | 29   | VS15141  | SEALING COVER HANDLE            | 1   |
| K10       | 30   |          | SCREW PB5X14MM                  | 16  |
| K11       | 31   |          | WASHER Ø8MM                     | 2   |
| K11       | 32   |          | CONNECTION PLATE OF FIXING BASE | 1   |
| K11       | 33   |          | FIXING PLATE OF FIXING BASE     | 1   |

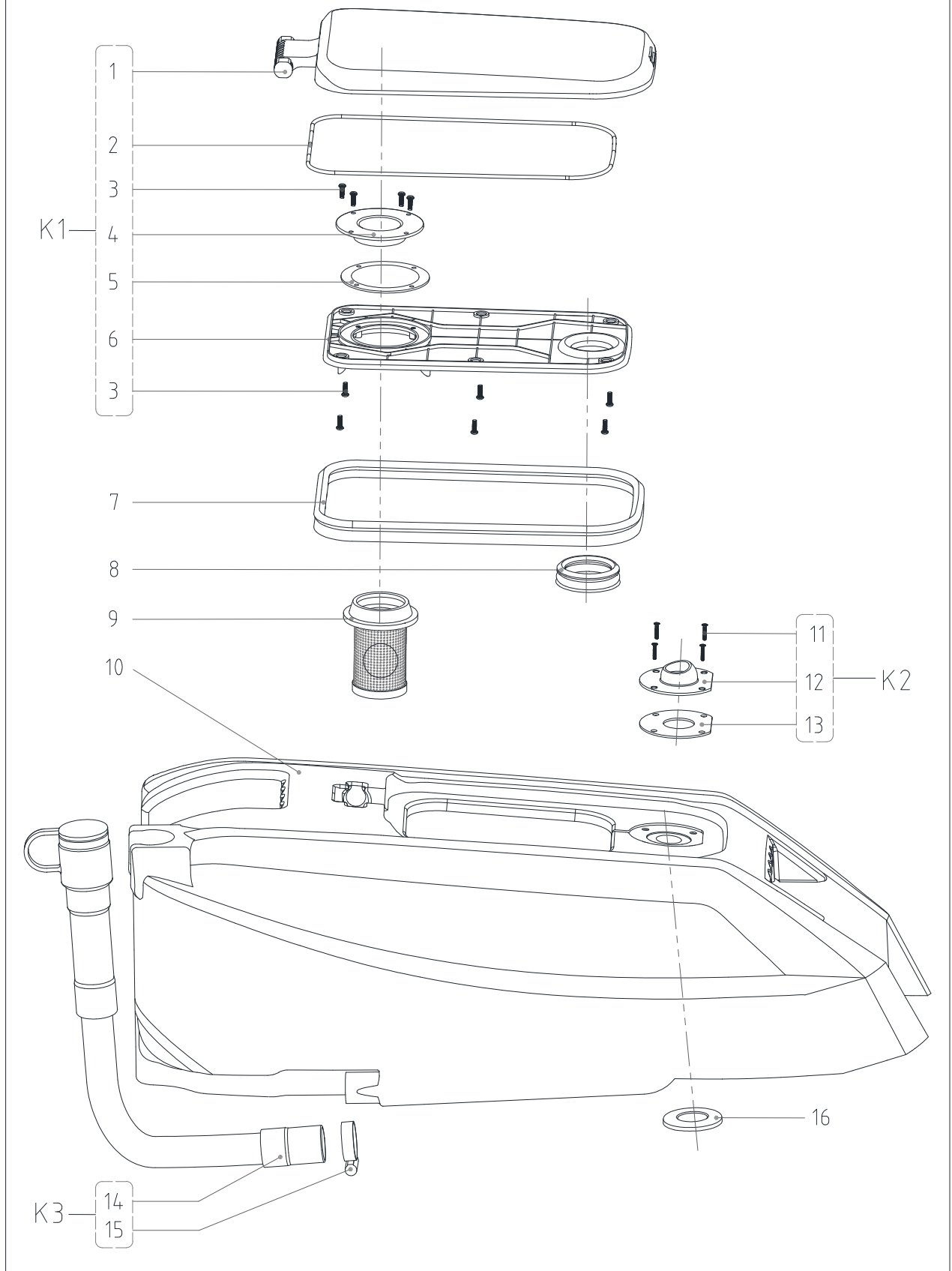
## PARTS LIST

### AS4325B HANDLE ASSEMBLY

| Kit | Item | Part No. | Description                         | Qty |
|-----|------|----------|-------------------------------------|-----|
| K12 | 34   | VS15143  | LEFT FIXING BASE HANDLE             | 1   |
| K12 | 35   |          | FIXING SCREW ROD OF GEAR            | 3   |
| K13 | 36   |          | CABLE FIXING BRACKET                | 1   |
| K14 | 37   | VS15025  | DASH BOARD 24V AGM                  | 1   |
| K14 | 38   |          | PCB FIXING PLATE                    | 2   |
| K14 | 39   |          | WASHER                              | 2   |
|     | 40   | VS15216  | DECAL CONTROL PANEL BATTERY VERSION | 1   |
|     | K1   | VS15383  | FRONT COVER HANDLE KIT              | 1   |
|     | K2   | VS15384  | LEVER BRUSH SWITCH KIT              | 1   |
|     | K3   | VV81063  | MICRO SWITCH KIT                    | 1   |
|     | K4   | VS15385  | ADJUST LEVER HANDLE KIT             | 1   |
|     | K5   | VS15386  | CONNECTION ROD KIT                  | 1   |
|     | K6   | VA21517A | CLAMP KIT                           | 1   |
|     | K7   | VS15387  | RUBBER SLEEVE SCREW ROD KIT         | 2   |
|     | K8   | VS15388  | RIGHT FIXING BASE KIT               | 1   |
|     | K9   | VS15389  | INNER FIXING CIRCLE OF GEAR KIT     | 2   |
|     | K10  | VS15390  | REAR COVER HANDLE KIT               | 1   |
|     | K11  | VS15391  | FIXING PLATE OF FIXING BASE KIT     | 1   |
|     | K12  | VS15392  | LEFT FIXING BASE KIT                | 1   |
|     | K13  | VS15393  | CABLE FIXING BRACKET KIT            | 1   |
|     | K14  | VS15394  | DASH BOARD 24V AGM KIT              | 1   |

# PARTS LIST

## AS4325B RECOVERY TANK ASSEMBLY





## PARTS LIST

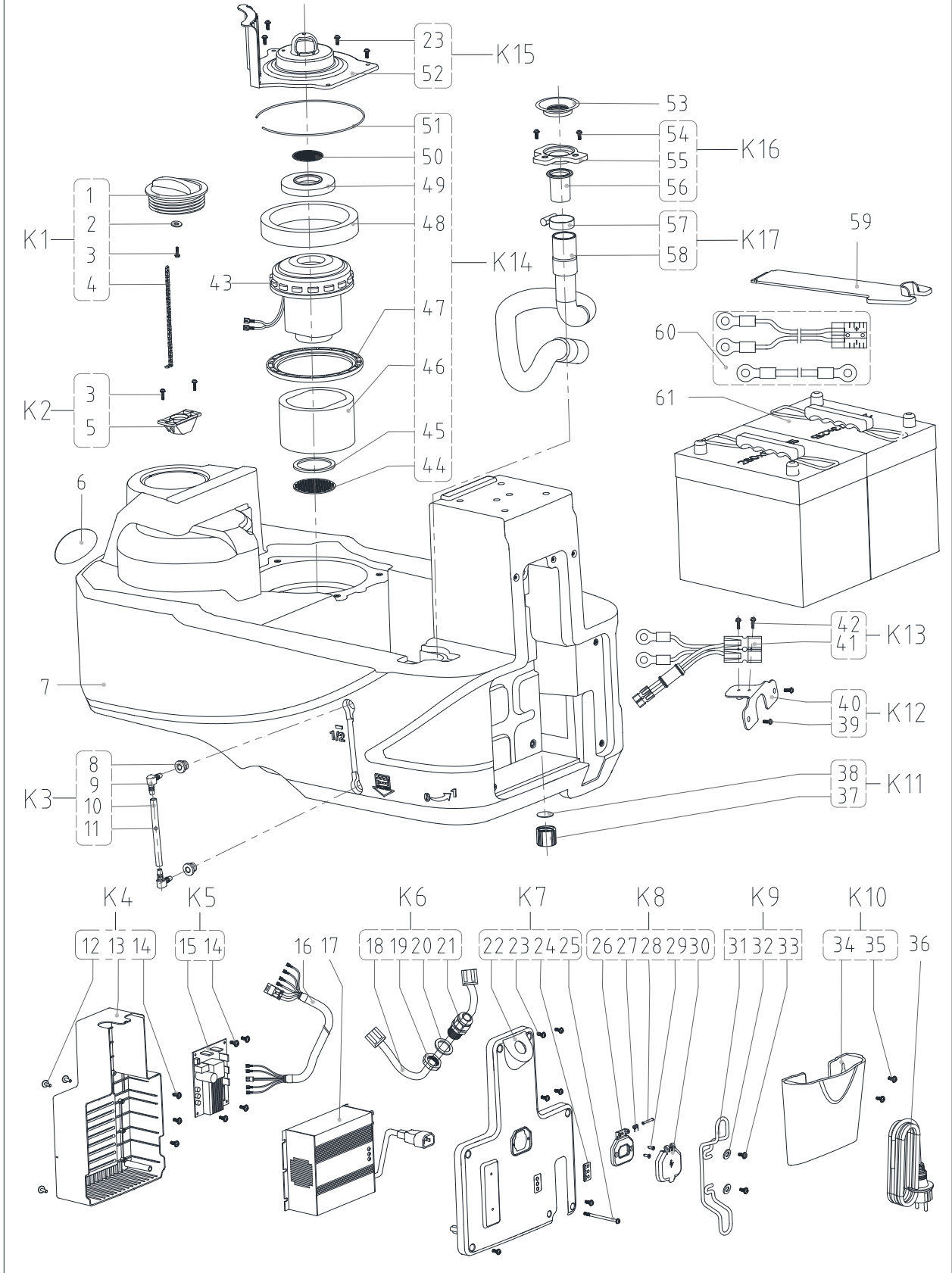
---

### AS4325B RECOVERY TANK ASSEMBLY

| Kit | Item | Part No. | Description                               | Qty |
|-----|------|----------|---|-----|
| K1  | 1    |          | RECOVERY TANK LID                         | 1   |
| K1  | 2    |          | INNER GASKET OF RECOVERY TANK LID         | 1   |
| K1  | 3    |          | SCREW ST4X12MM                            | 10  |
| K1  | 4    |          | FLOAT CUP ADAPTOR                         | 1   |
| K1  | 5    |          | RUBBER GASKET OF ADAPTOR                  | 1   |
| K1  | 6    |          | BOTTOM BASE OF RECOVERY TANK LID          | 1   |
|     | 7    | VS15225  | GASKET OF RECOVERY TANK LID               | 1   |
|     | 8    | VS15226  | SUCTION PORT ROUND GASKET                 | 1   |
|     | 9    | VS15323  | VACUUM GRID WITH AUTOMATIC SHUT-OFF FLOAT | 1   |
|     | 10   | VS15341  | RECOVERY TANK 25L DARK GREY               | 1   |
| K2  | 11   |          | SCREW M4X12MM                             | 4   |
| K2  | 12   |          | SUCTION PORT                              | 1   |
| K2  | 13   |          | SUCTION PORT GASKET                       | 1   |
| K3  | 14   |          | DRAIN HOSE                                | 1   |
| K3  | 15   | VS15271  | CLAMP21-38MM,SUS304                       | 1   |
|     | 16   | VS15320  | HIGH ELASTIC GASKET, OD101XID65X8MM,CR30  | 1   |
|     | K1   | VS15398  | RECOVERY TANK LID ASSEMBL                 | 1   |
|     | K2   | VS15399  | SUCTION PORT KIT                          | 1   |
|     | K3   | VS15400  | DRAIN HOSE KIT                            | 1   |

# PARTS LIST

## AS4325B SOLUTION TANK ASSEMBLY



## PARTS LIST

### AS4325B SOLUTION TANK ASSEMBLY

| Kit       | Item | Part No.        | Description                  | Qty      |
|-----------|------|-----------------|------------------------------|----------|
| K1        | 1    | VF80304-010     | SOLUTION COVER               | 1        |
| <b>K1</b> | 2    |                 | WASHER4X12X1MM               | <b>1</b> |
| K1/K2     | 3    |                 | SCREW TA3.5X12MM             | 3        |
| K1        | 4    |                 | ZIPPER                       | 1        |
| K2        | 5    |                 | INLET PIPE FRAME             | 1        |
|           | 6    | VS15231         | LOGO LABEL                   | 1        |
|           | 7    | VS15148         | SOLUTION TANK 25L DARK GREY  | 1        |
| K3        | 8    |                 | JOINTS GASKET                | 2        |
| K3        | 9    |                 | ELBOW, 90°                   | 2        |
| K3        | 10   |                 | HOSE FRESH WATER LEVEL       | 1        |
| K3        | 11   |                 | FLOATING BALL OF WATER LEVEL | 1        |
| K4        | 12   |                 | SCREW PB4.0X12MM             | 3        |
| K4        | 13   |                 | MOUNTING BASE OF CHARGER     | 1        |
| K4/K5     | 14   |                 | SCREW PB4.0X10MM             | 9        |
| K5        | 15   | VS15026         | CONTROLLER MAIN MACHINE      | 1        |
|           | 16   | VS15012         | CONNETION WIRE ASSEMBLY      | 1        |
|           | 17   | VS15018         | CHARGER 10A                  | 1        |
| K6        | 18   |                 | COMMUNICATION CABLE          | 1        |
| K6        | 19   |                 | CABLE STRAIN RELIEF NUT      | 1        |
| K6        | 20   |                 | GASKET                       | 1        |
| K6        | 21   |                 | CABLE STRAIN RELIEF          | 1        |
| K7        | 22   |                 | CHARGE REAR COVER            | 1        |
| K7/ K15   | 23   |                 | SCREW PWM4.0X12MM            | 10       |
| K7        | 24   | <b>#VS15459</b> | CHARGING DISPLAY LABEL       | 1        |
| K7        | 25   |                 | SCREW M4X70MM                | 1        |
| K8        | 26   |                 | CHARGER SOCKET FIX           | 1        |
| K8        | 27   |                 | SPRING                       | 1        |
| K8        | 28   |                 | PIN                          | 1        |
| K8        | 29   |                 | SCREW ST4.0X16MM             | 2        |
| K8        | 30   |                 | CHARGER SOCKET COVER         | 1        |
| K9        | 31   |                 | CABLE SUPPORT                | 1        |
| K9        | 32   |                 | WASHER ID4.0XOD12X1MM        | 2        |
| K9        | 33   |                 | SCREW ST4.0X16MM             | 2        |
| K10*      | 34   |                 | BACK ACCESSORY BOX           | 1        |

## PARTS LIST

### AS4325B SOLUTION TANK ASSEMBLY

| Kit  | Item | Part No. | Description                     | Qty |
|------|------|----------|---------------------------------|-----|
| K10* | 35   |          | SCREW WITH WASHER               | 2   |
|      | 36   | VF89724  | BATTERY CHARGING CABLE US       | 1   |
| K11  | 37   |          | SOLUTION OUTLET COVER           | 1   |
| K11  | 38   |          | GASKET                          | 1   |
| K12  | 39   |          | SCREW M4.0X12MM                 | 2   |
| K12  | 40   |          | BRACKET CHARGER PLUG            | 1   |
| K13  | 41   |          | HARNESS 24V INPUT               | 1   |
| K13  | 42   |          | SCREW ST3X16MM                  | 2   |
|      | 43   | VS15003  | VACUUM MOTOR 24V 350W           | 1   |
| K14  | 44   |          | INTLET AIR FILTER GRIM          | 1   |
| K14  | 45   |          | INTLET AIR GASKET               | 1   |
| K14  | 46   |          | BOTTOM ACOUSTIC INSULATION PIPE | 1   |
| K14  | 47   |          | MIDDLE GASKET                   | 1   |
| K14  | 48   |          | UP ACOUSTIC INSULATION PIPE     | 1   |
| K14  | 49   |          | TOP GASKET MOTOR                | 1   |
| K14  | 50   |          | UP INLET AIR FILTER FRIM        | 1   |
| K14  | 51   |          | EVA GASKET                      | 1   |
| K15  | 52   |          | VACUUM MOTOR COVER              | 1   |
|      | 53   | VS15240  | DRAIN HOSE HORN GASKET          | 1   |
| K16  | 54   |          | SCREW PM4.0X12MM                | 2   |
| K16  | 55   |          | BRACKET SUCTION HOSE            | 1   |
| K16  | 56   |          | CONNECTOR SOCKET SUCTION HOSE   | 1   |
| K17  | 57   | VS15271  | CLAMP21-38MM,SUS304             | 1   |
| K17  | 58   |          | SUCTION HOSE                    | 1   |
|      | 59   | VS15248  | CABLE COVER PLATE               | 1   |
|      | 60   | VS15009  | BATTERY CONNECTIONS             | 1   |
|      | 61   | VF90223  | BATTERIES                       | 2   |
|      | K1   | VS15401  | SOLUTION COVER KIT              | 1   |
|      | K2   | VS15402  | INLET PIPE FRAME KIT            | 1   |

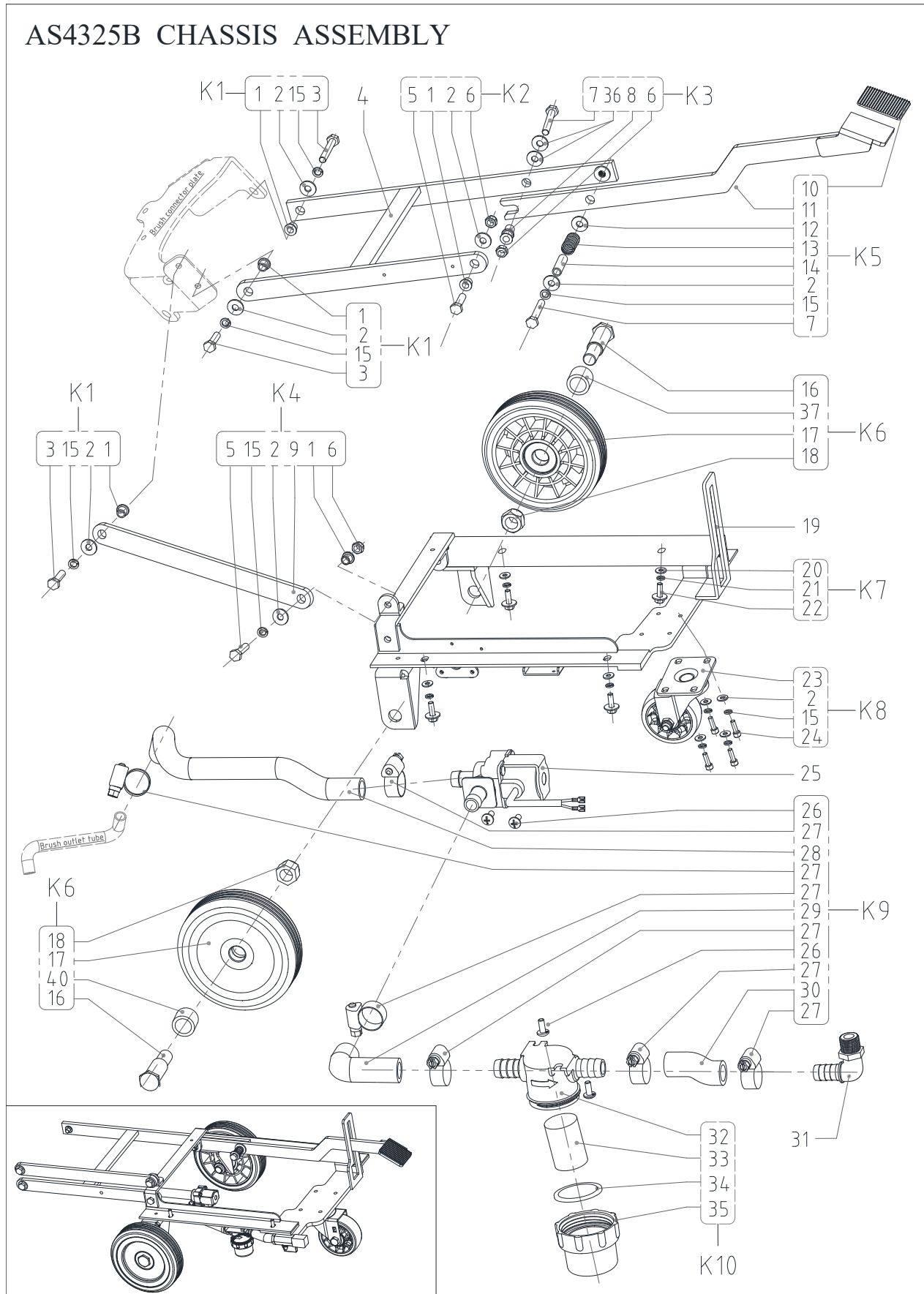
## PARTS LIST

### AS4325B SOLUTION TANK ASSEMBLY

| Kit | Item | Part No. | Description                  | Qty |
|-----|------|----------|------------------------------|-----|
|     | K3   | VS15403  | HOSE FRESH WATER LEVEL KIT   | 1   |
|     | K4   | VS15404  | MOUNTING BASE OF CHARGER KIT | 1   |
|     | K5   | VS15405  | CONTROLLER MAIN MACHINE KIT  | 1   |
|     | K6   | VS15406  | MAIN CONNECTION CABLE KIT    | 1   |
|     | K7   | VS15407  | CHARGE REAR COVER KIT        | 1   |
|     | K8   | VS10126  | CHARGER SOCKET KIT           | 1   |
|     | K9   | VS15408  | CABLE SUPPORT KIT            | 1   |
|     | K10* | VS15409  | BACK ACCESSORY BOX KIT       | 1   |
|     | K11  | VF89110A | SOLUTION OUTLET COVER KIT    | 1   |
|     | K12  | VS15410  | BRACKET CHARGER PLUG KIT     | 1   |
|     | K13  | VS15411  | HARNESS 24V INPUT KIT        | 1   |
|     | K14  | VS15412  | GASKET VACUUM MOTOR KIT      | 1   |
|     | K15  | VS15413  | VACUUM MOTOR COVER KIT       | 1   |
|     | K16  | VS15414  | BRACKET SUCTION HOSE KIT     | 1   |
|     | K17  | VS15415  | SUCTION HOSE KIT             | 1   |

# PARTS LIST

## AS4325B CHASSIS ASSEMBLY



# PARTS LIST

## AS4325B CHASSIS ASSEMBLY

| Kit                | Item | Part No. | Description                           | Qty |
|--------------------|------|----------|---------------------------------------|-----|
| K1/K2/K4           | 1    |          | BUSHING                               | 5   |
| K1/K2/<br>K4/K5/K8 | 2    |          | WASHER                                | 10  |
| K1                 | 3    |          | SCREW M8X25MM                         | 3   |
|                    | 4    | VS15101  | BRUSH LIFTING SUPPORT                 | 1   |
| K2/K4              | 5    |          | SCREW M8X30MM                         | 2   |
| K2/K3/K4           | 6    |          | NUT M8                                | 3   |
| K3/K5              | 7    |          | SCREW M8x50MM                         | 2   |
| K3                 | 8    |          | STEPS BUSHING                         | 1   |
| K4                 | 9    | VS15102  | FRONT PEDAL BRUSH LIFTING             | 1   |
| K5                 | 10   | VS10613  | PEDAL LEVER GASKET                    | 1   |
| K5                 | 11   | VS15103  | BACK PEDAL BRUSH AND SQUEEGEE LIFTING | 1   |
| K5                 | 12   |          | WASHER Ø12X Ø24X2MM                   | 1   |
| K5                 | 13   |          | RESET SPRING                          | 1   |
| K5                 | 14   |          | BUSHING                               | 1   |
| K1/K4/K5/K8        | 15   |          | WASHER DIAMETER 8MM                   | 9   |
| K6                 | 16   |          | WHEEL SHAFT                           | 2   |
| K6                 | 17   | VS15430  | WHEEL 6 INCH                          | 2   |
| K6                 | 18   |          | NUT M16                               | 2   |
|                    | 19   | VS15100  | CHASSIS                               | 1   |
| K7                 | 20   |          | SPRING WASHER                         | 4   |
| K7                 | 21   |          | WASHER DIAMETER 6MM                   | 4   |
| K7                 | 22   |          | SCREW M6X25MM                         | 4   |
| K8                 | 23   | VS15327  | 3.5 INCH CASTER                       | 1   |
| K8                 | 24   |          | SCREW M8X20MM                         | 4   |
|                    | 25   | VS15021  | 24V DC SOLENOID VALVE                 | 1   |
| K9                 | 26   |          | SCREW M4X10MM                         | 4   |
| K9                 | 27   | VV10114  | CLAMP 3/8"                            | 6   |
| K9                 | 28   |          | HOSE Ø 20MM L400mm                    | 1   |
| K9                 | 29   |          | HOSE WITH SPRING L130mm               | 1   |
| K9                 | 30   |          | OULET HOSE Ø20MM                      | 1   |
|                    | 31   | VF81403P | ELBOW 90 PLASTIC                      | 1   |
| K10                | 32   |          | FILTER BASE                           | 1   |
| K10                | 33   | VF90608  | FILTER NET                            | 1   |
| K10                | 34   | VF90607  | O-RING                                | 1   |

## PARTS LIST

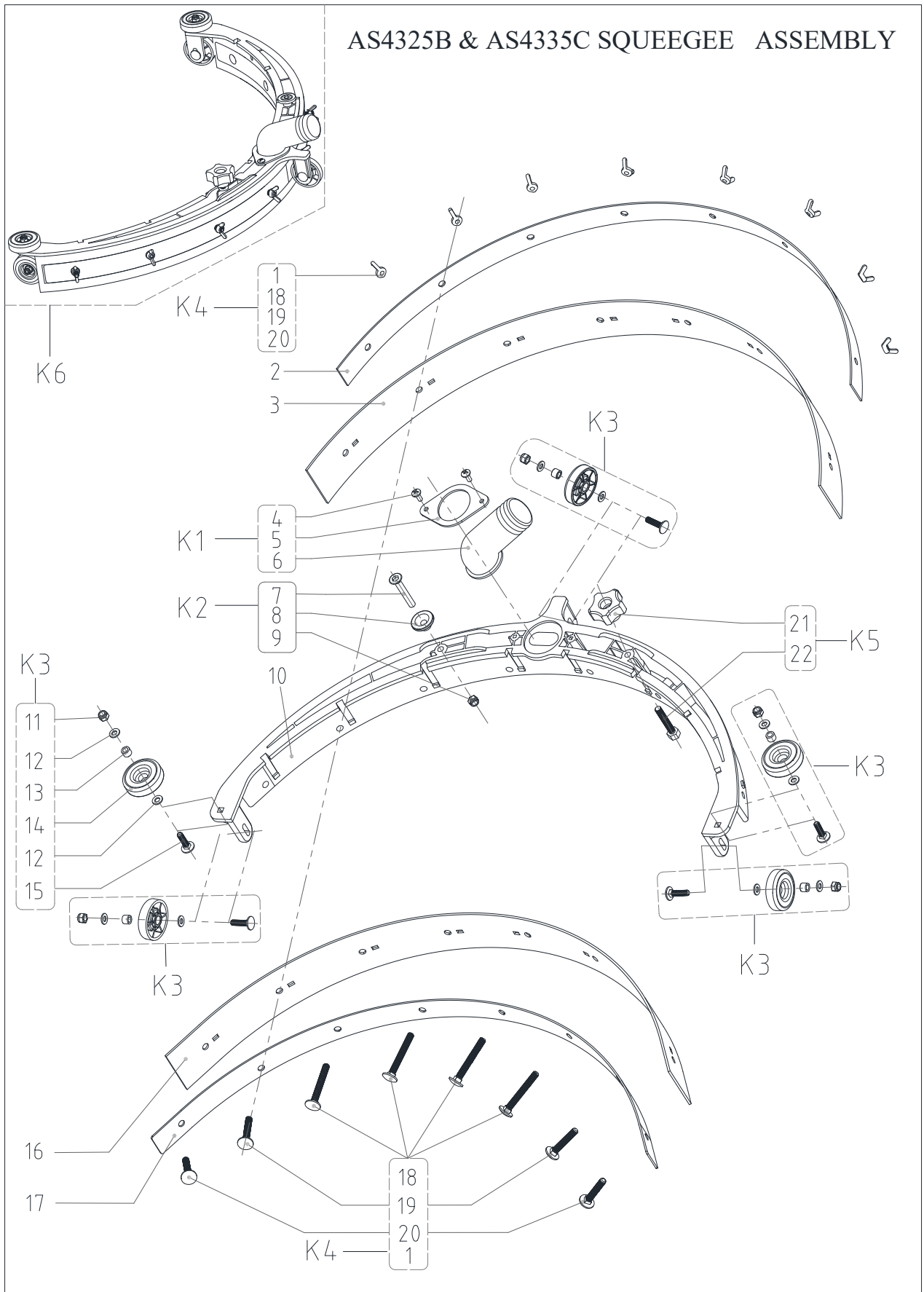
---

### AS4325B CHASSIS ASSEMBLY

| Kit | Item | Part No. | Description                         | Qty |
|-----|------|----------|-------------------------------------|-----|
| K10 | 35   | VF90603  | FILTER COVER                        | 1   |
| K2  | 36   |          | PA WASHER                           | 2   |
| K6  | 37   |          | BUSHING1                            | 2   |
|     | K1   | VS15422  | SCREW KIT 1                         | 3   |
|     | K2   | VS15423  | SCREW KIT 2                         | 1   |
|     | K3   | VS15424  | FORNT PEDAL BRUSH LIFTING SCREW KIT | 1   |
|     | K4   | VS15425  | SCREW KIT 3                         | 1   |
|     | K5   | VS15426  | BACK PEDAL BRUSH LIFTING KIT        | 1   |
|     | K6   | VS15427  | WHEEL 6 INCH KIT                    | 2   |
|     | K7   | VS15428  | SCREW KIT 4                         | 1   |
|     | K8   | VS15429  | 3.5 INCH CASTER KIT                 | 1   |
|     | K9   | VS15433  | SOLUTION HOSE KIT                   | 1   |
|     | K10  | VF90621  | FILTER KIT                          | 1   |



# PARTS LIST



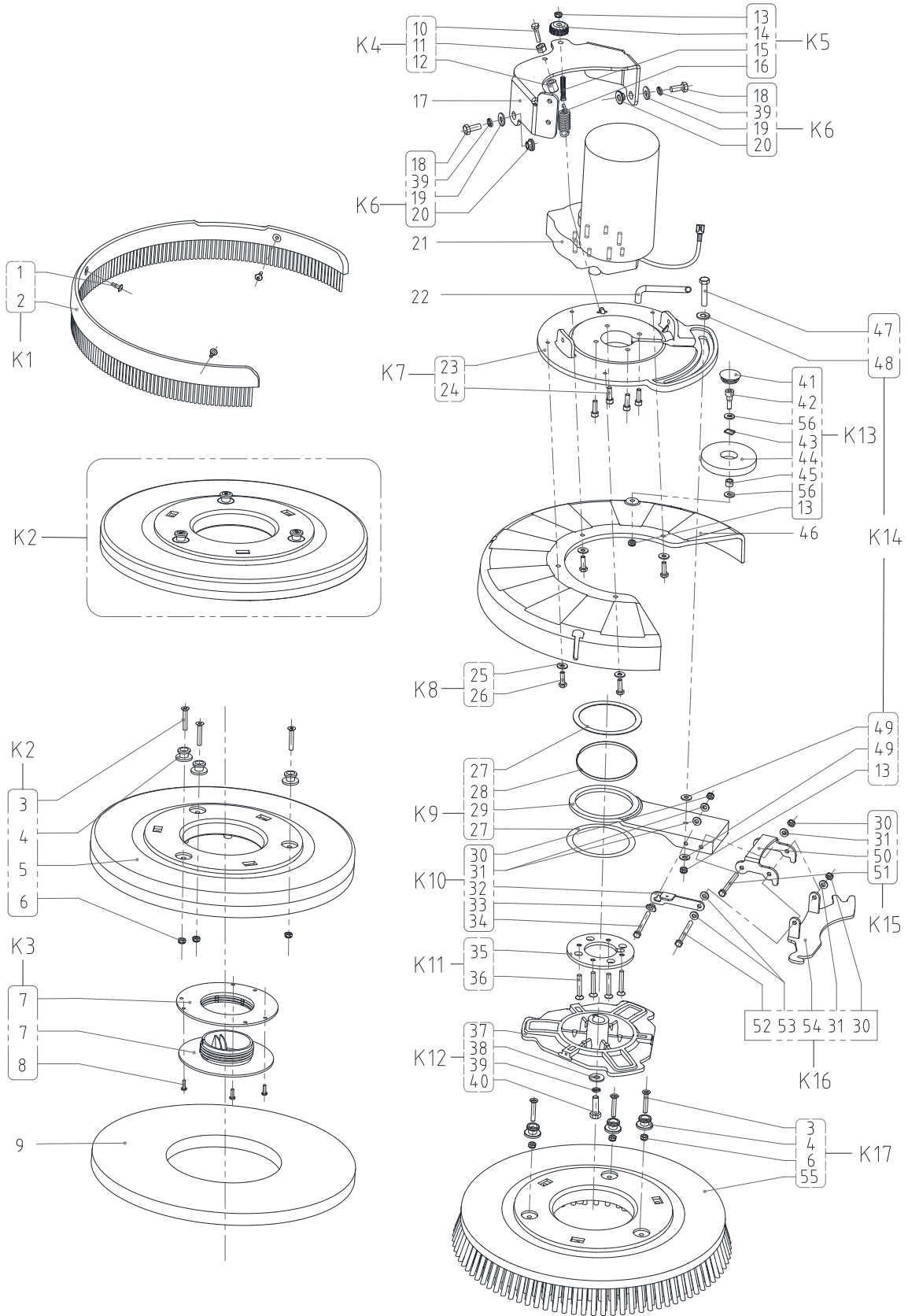
## PARTS LIST

### AS4325B & AS4335C SQUEEGEE ASSEMBLY

| Kit | Item | Part No. | Description                | Qty |
|-----|------|----------|----------------------------|-----|
| K4  | 1    | VS15267  | WING NUT M5                | 8   |
|     | 2    | VS15109  | SQUEEGEE REAR STRAP        | 1   |
|     | 3a   | VS15204  | BLADE REAR NATURAL RUBBER  | 1   |
|     | 3b*  | VS15205  | BLADE REAR PU              | 1   |
| K1  | 4    |          | SCREW TM4X12MM             | 2   |
| K1  | 5    |          | RETAINER                   | 1   |
| K1  | 6    | VS15160  | BEND CONNECTOR             | 1   |
| K2  | 7    |          | SCREW M6X40MM              | 1   |
| K2  | 8    |          | STUD                       | 1   |
|     | 9    |          | NUT M6                     | 1   |
|     | 10   | VS15252  | SQUEEGEE TOOL              | 1   |
| K3  | 11   |          | NUT M5                     | 5   |
| K3  | 12   |          | WASHER OD14.7XID5.5XT1.2MM | 10  |
| K3  | 13   |          | SPACER                     | 5   |
| K3  | 14   | VS15158  | SQUEEGEE WHEEL             | 5   |
| K3  | 15   |          | SCREW M5X20MM              | 5   |
|     | 16a  | VS15201  | BLADE FRONT NATURAL RUBBER | 1   |
|     | 16b* | VS15202  | BLADE FRONT PU             | 1   |
|     | 17   | VS15108  | SQUEEGEE FRONT STRAP       | 1   |
| K4  | 18   |          | SCREW M5X40MM              | 4   |
| K4  | 19   |          | SCREW M5X30MM              | 2   |
| K4  | 20   |          | SCREW M5X25MM              | 2   |
| K5  | 21   | VS15159  | SQUEEGEE KNOB              | 1   |
| K5  | 22   |          | SCREW M6X40MM              | 1   |
|     | K1   | VS15434  | BEND CONNECTOR KIT         | 1   |
|     | K2   | VS15435  | STUD KIT                   | 1   |
|     | K3   | VS15436  | SQUEEGEE WHEEL KIT         | 5   |
|     | K4   | VS15437  | SQUEEGEE SCREW KIT         | 1   |
|     | K5   | VS15438  | SQUEEGEE KNOB KIT          | 1   |
|     | K6   | VS15373  | SQUEEGEE ASSEMBLY          | 1   |

# PARTS LIST

## AS4325B BRUSH ASSEMBLY



# PARTS LIST

## AS4325B BRUSH ASSEMBLY

| Kit         | Item | Part No. | Description                    | Qty |
|-------------|------|----------|--------------------------------|-----|
| K1          | 1    |          | SCREW M4                       | 3   |
| K1          | 2    |          | SKIRT DECK                     | 1   |
| K2/K17      | 3    |          | SCREW M6X40MM                  | 6   |
| K2/K17      | 4    | VS15332  | STUD                           | 6   |
| K2          | 5    |          | PAD HOLDER 17 INCH             | 1   |
| K2/K17      | 6    |          | NUT M6                         | 6   |
| K3*         | 7*   | VF99003A | RETAINER PAD                   | 1   |
| K3*         | 8*   | VA13477  | SCREW ST4X15MM                 | 3   |
|             | 9*   |          | PAD 17 INCH                    | 1   |
| K4          | 10   |          | SCREW M8X40MM                  | 1   |
| K4          | 11   |          | NUT M8                         | 1   |
| K4          | 12   | VF80241  | PLASTIC REGULATING FULCRUM     | 1   |
| K5/K13/K14  | 13   |          | NUT M6                         | 3   |
| K5          | 14   | VP11007  | STRAIGHT MOVING ADJUSTING KNOB | 1   |
| K5          | 15   |          | SCREW                          | 1   |
| K5          | 16   |          | SPRING                         | 1   |
|             | 17   | VS15104  | BRACKET BRUSH MOTOR            | 1   |
| K6          | 18   |          | SCREW M8X25MM                  | 2   |
| K6          | 19   |          | WASHER ID8XOD20XT2MM           | 2   |
| K6          | 20   |          | SPACER                         | 2   |
|             | 21   | VS15032  | BRUSH MOTOR 24V DC ASSEMBLY    | 1   |
|             | 22   | VS15111  | INLET TUBE                     | 1   |
| K7          | 23   |          | MOTOR FIXING PLATE             | 1   |
| K7          | 24   |          | SCREW M6X20MM                  | 4   |
| K8          | 25   |          | WASHER ID6XOD15XT1.5MM         | 4   |
| K8          | 26   |          | SCREW M6X20MM                  | 4   |
| K9          | 27   | VS15154  | WEAR RESISTANT WASHER          | 2   |
| K9          | 28   | VS15329  | ROTATION CIRCLE                | 1   |
| K9          | 29   | VS15155  | SQUEEGEE ROTATION ARM          | 1   |
| K10/K15/K16 | 30   |          | NUT M5                         | 3   |
| K10/K15/K16 | 31   |          | WASHER ID5XOD10XT1.0MM         | 4   |
| K10         | 32   | VS15112  | LIFTING HANDLE FOR SQUEEGEE    | 1   |
| K10         | 33   |          | SPACER                         | 1   |

## PARTS LIST

### AS4325B BRUSH ASSEMBLY

| Kit    | Item | Part No. | Description                     | Qty |
|--------|------|----------|---------------------------------|-----|
| K10    | 34   |          | SCREW Ø 6XM5X104mm              | 1   |
| K11    | 35   |          | SQUEEGEE TRAY                   | 1   |
| K11    | 36   |          | SCREW M6X16MM                   | 4   |
| K12    | 37   | VS15253  | HUB BRUSH GEAR MOTOR            | 1   |
| K12    | 38   |          | WASHER ID8.4XOD28XT2MM          | 1   |
| K6/K12 | 39   |          | WASHER DIAMETER 8mm             | 3   |
| K12    | 40   |          | SCREW M8X16MM                   | 1   |
| K13    | 41   | VF85128  | CAP. BLACK                      | 1   |
| K13    | 42   |          | SCREW M6X25MM                   | 1   |
| K13    | 43   |          | LOCKWASHER                      | 1   |
| K13    | 44   |          | ROLLER BUMPER                   | 1   |
| K13    | 45   |          | SPACER                          | 1   |
|        | 46   | VS15156  | BRUSH DECK                      | 1   |
| K14    | 47   |          | SCREW                           | 1   |
| K14    | 48   |          | WASHER                          | 1   |
| K14    | 49   |          | WASHER ID6XOD22X1.5MM           | 2   |
| K15    | 50   | VS15105  | SQUEEGEE CONNECTION FRAME       | 1   |
| K15    | 51   |          | SCREW Ø 6XM5X96.5MM             | 1   |
| K16    | 52   |          | SCREW Ø 6XM5X114MM              | 1   |
| K16    | 53   |          | WASHER ID6XOD13X2MM             | 2   |
| K16    | 54   | VS15106  | SQUEEGEE BRACKET                | 1   |
| K17    | 55   |          | BRUSH DISC PPL Ø0.7 BLACK 17IN  | 1   |
| K17*   | 55*  |          | BRUSH DISC GRIT 180 GRAY 17IN   | 1   |
| K13    | 56   |          | WASHER ID6XOD18XT1.5MM          | 2   |
|        | K1   | VS15439  | SKIRT BRISTLE KIT               | 1   |
|        | K2   | VS15440  | PAD HOLDER 17IN NO RETAINER KIT | 1   |
|        | K3*  | VS15441  | RETAINER PAD KIT                | 1   |
|        | K4   | VS15442  | REGULATING FULCRUM KIT          | 1   |
|        | K5   | VS15443  | DECK ADJUSTING KNOB KIT         | 1   |
|        | K6   | VS15444  | SCREW KIT1                      | 2   |
|        | K7   | VS15445  | MOTOR FIXING PLATE KIT          | 1   |
|        | K8   | VS15446  | SCREW KIT2                      | 1   |
|        | K9   | VS15447  | SQUEEGEE ROTATION ARM KIT       | 1   |

## PARTS LIST

---

### AS4325B BRUSH ASSEMBLY

| Kit | Item | Part No. | Description                        | Qty |
|-----|------|----------|------------------------------------|-----|
|     | K10  | VS15448  | LIFTING HANDLE FOR SQUEEGEE KIT    | 1   |
|     | K11  | VS15449  | SQUEEGEE TRAY KIT                  | 1   |
|     | K12  | VS15450  | HUB BRUSH R.GEARMOTOR RIGHT KIT    | 1   |
|     | K13  | VS15455  | ROLLER BUMPER KIT                  | 1   |
|     | K14  | VS15451  | SCREW KIT3                         | 1   |
|     | K15  | VS15452  | SQUEEGEE CONNECTION FRAME KIT      | 1   |
|     | K16  | VS15453  | SQUEEGEE BRACKET KIT               | 1   |
|     | K17  | VS15374  | BRUSH DISC PPL Ø0.7 BLACK 17IN KIT | 1   |
|     | K17* | VS15338  | BRUSH DISC GRIT 180 GRAY 17IN KIT  | 1   |

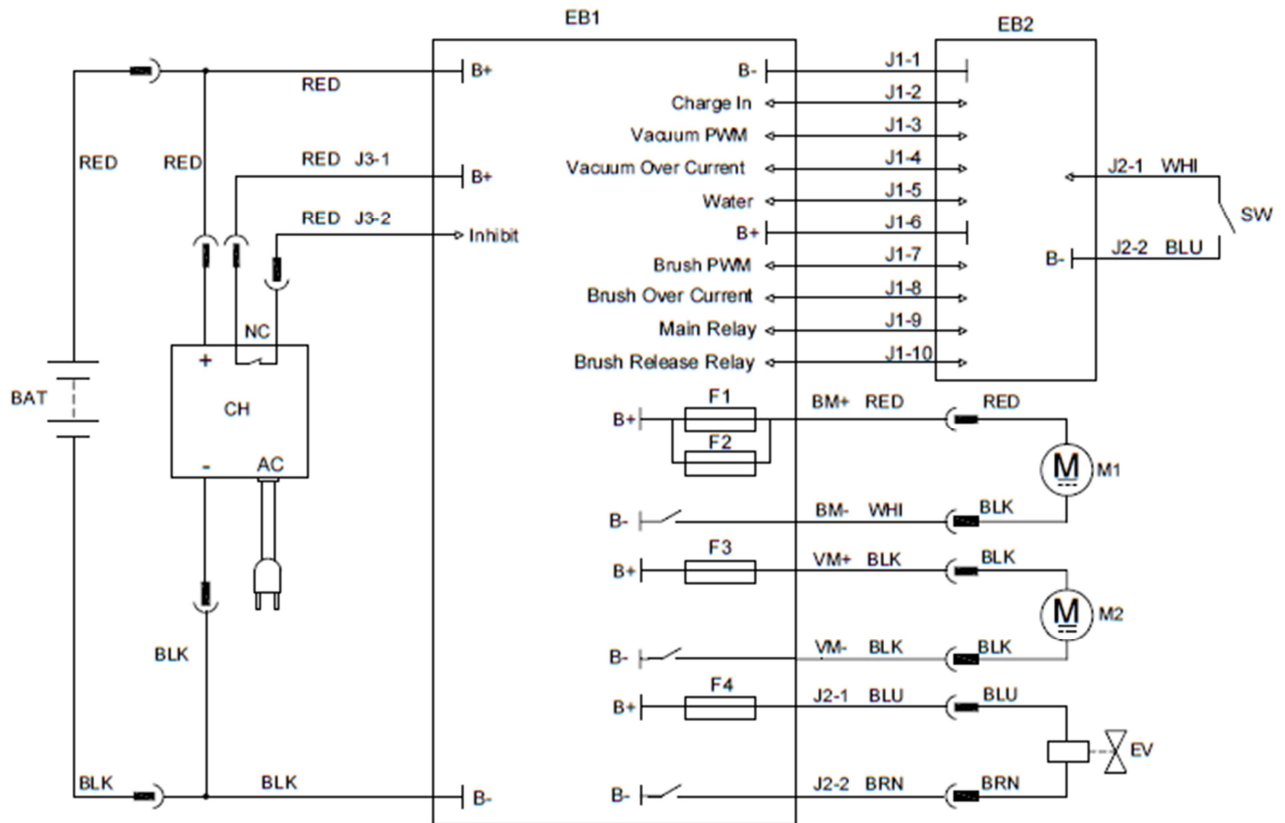
## PARTS LIST

### WEAR AND TEAR PARTS

| Kit | Item | Part No. | Description                               | Qty |
|-----|------|----------|---|-----|
|     | 1    | VS15132  | RIGHT LEVER BRUSH SWITCH                  | 1   |
|     | 2    | VS15131  | LEFT LEVER BRUSH SWITCH                   | 1   |
|     | 3    | VV81432  | MICRO SWITCH                              | 1   |
|     | 4    | VS15133  | ADJUST LEVER HANDLE                       | 1   |
|     | 5    | VS15192  | GEAR                                      | 1   |
|     | 6    | VS15025  | DASH BOARD 24V AGM                        | 1   |
|     | 7    | VS15386  | CONNECTION ROD KIT                        | 1   |
|     | 8    | VS15225  | GASKET OF RECOVERY TANK LID               | 1   |
|     | 9    | VS15323  | VACUUM GRID WITH AUTOMATIC SHUT-OFF FLOAT | 1   |
|     | 10   | VS15400  | DRAIN HOSE KIT                            | 1   |
|     | 11   | VS15026  | CONTROLLER MAIN MACHINE                   | 1   |
|     | 12   | VS15018  | CHARGER 10A                               | 1   |
|     | 13   | VF89724  | BATTERY CHARGING CABLE US                 | 1   |
|     | 14   | VS15003  | VACUUM MOTOR 24V 350W                     | 1   |
|     | 15   | VS15403  | HOSE FRESH WATER LEVEL KIT                | 1   |
|     | 16   | VF89110A | SOLUTION OUTLET COVER KIT                 | 1   |
|     | 17   | VS15415  | SUCTION HOSE KIT                          | 1   |
|     | 18   | VF80115B | WHEEL 6 INCH                              | 1   |
|     | 19   | VS15327  | 3.5 INCH CASTER                           | 1   |
|     | 20   | VS15021  | 24V DC SOLENOID VALVE                     | 1   |
|     | 21   | VF90621  | FILTER KIT                                | 1   |
|     | 22   | VS15204  | BLADE REAR NATURAL RUBBER                 | 1   |
|     | 23   | VS15160  | BEND CONNECTOR                            | 1   |
|     | 24   | VS15201  | BLADE FRONT NATURAL RUBBER                | 1   |
|     | 25   | VS15159  | SQUEEGEE KNOB                             | 1   |
|     | 26   | VS15436  | SQUEEGEE WHEEL KIT                        | 5   |
|     | 27   | VS15437  | SQUEEGEE SCREW KIT                        | 1   |
|     | 28   | VS15253  | HUB BRUSH GEAR MOTOR                      | 1   |
|     | 29   | VS15032  | BRUSH MOTOR 24V DC ASSEMBLY               | 1   |

# PARTS LIST

## AS4325B WIRING DIAGRAM



## AS4325B WIRING DIAGRAM

| Kit | Item | Part No. | Description                          | Qty |
|-----|------|----------|--------------------------------------|-----|
|     | BAT  | VF90223  | BATTERIES 12V 85AH/20H               | 2   |
|     | CH   | VS15018  | CHARGER 100-240V 50/60HZ 24V 10A AGM | 1   |
|     | EB1  | VS15026  | CONTROLLER MAIN MACHINE              | 1   |
|     | EB2  | VS15025  | DASH BOARD 24V AGM                   | 1   |
|     | M1   | VS15032  | BRUSH MOTOR 24VDC 400W               | 1   |
|     | M2   | VS15003  | MOTOR VACUUM 24V 300W                | 1   |
|     | EV   | VS15021  | SOLENOID VALVE 24V DC                | 1   |
|     | SW   | VV81432  | MICRO SWITCH                         | 1   |



[www.vipercleaning.com](http://www.vipercleaning.com)

