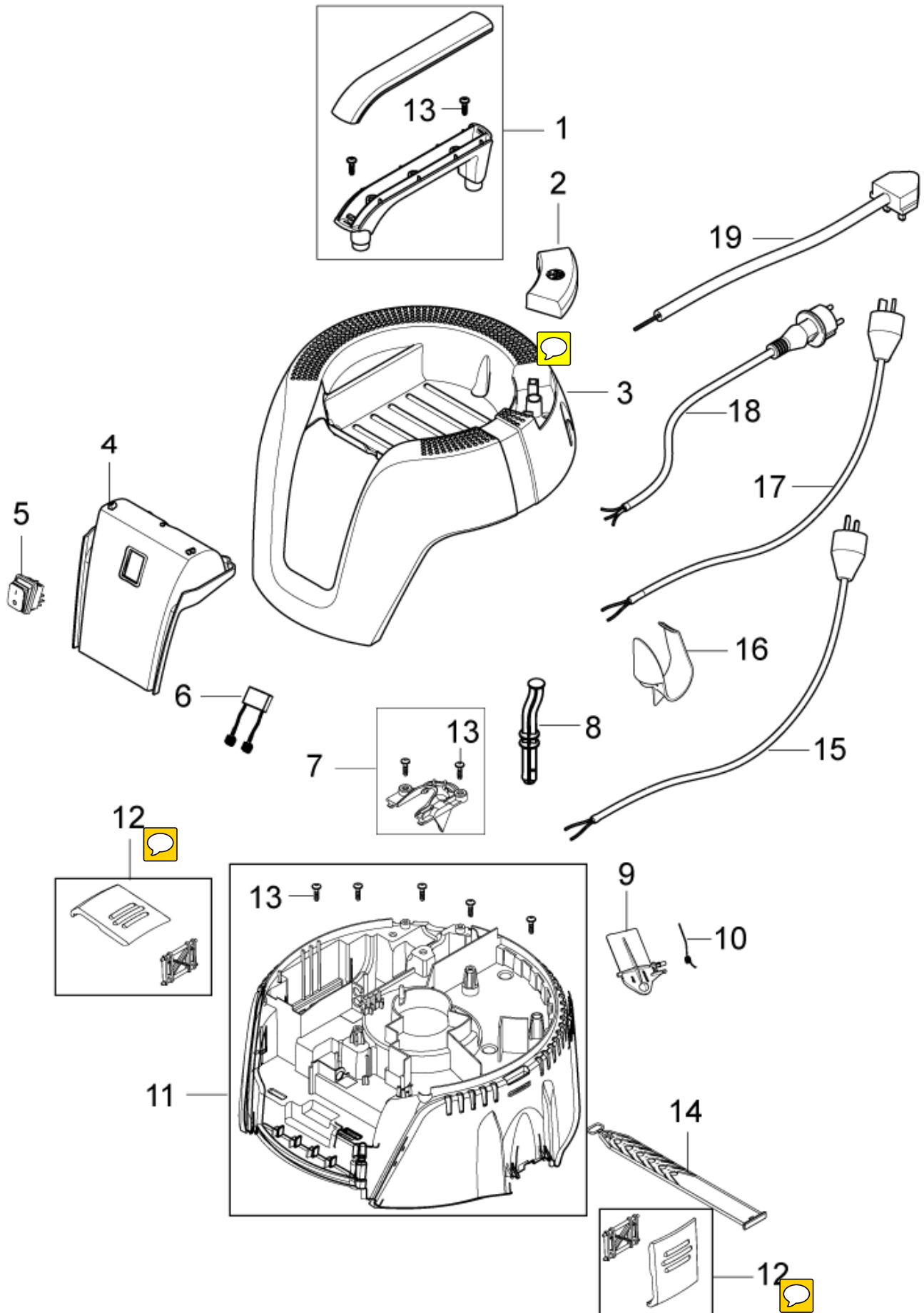


Model : 90122 AERO 26

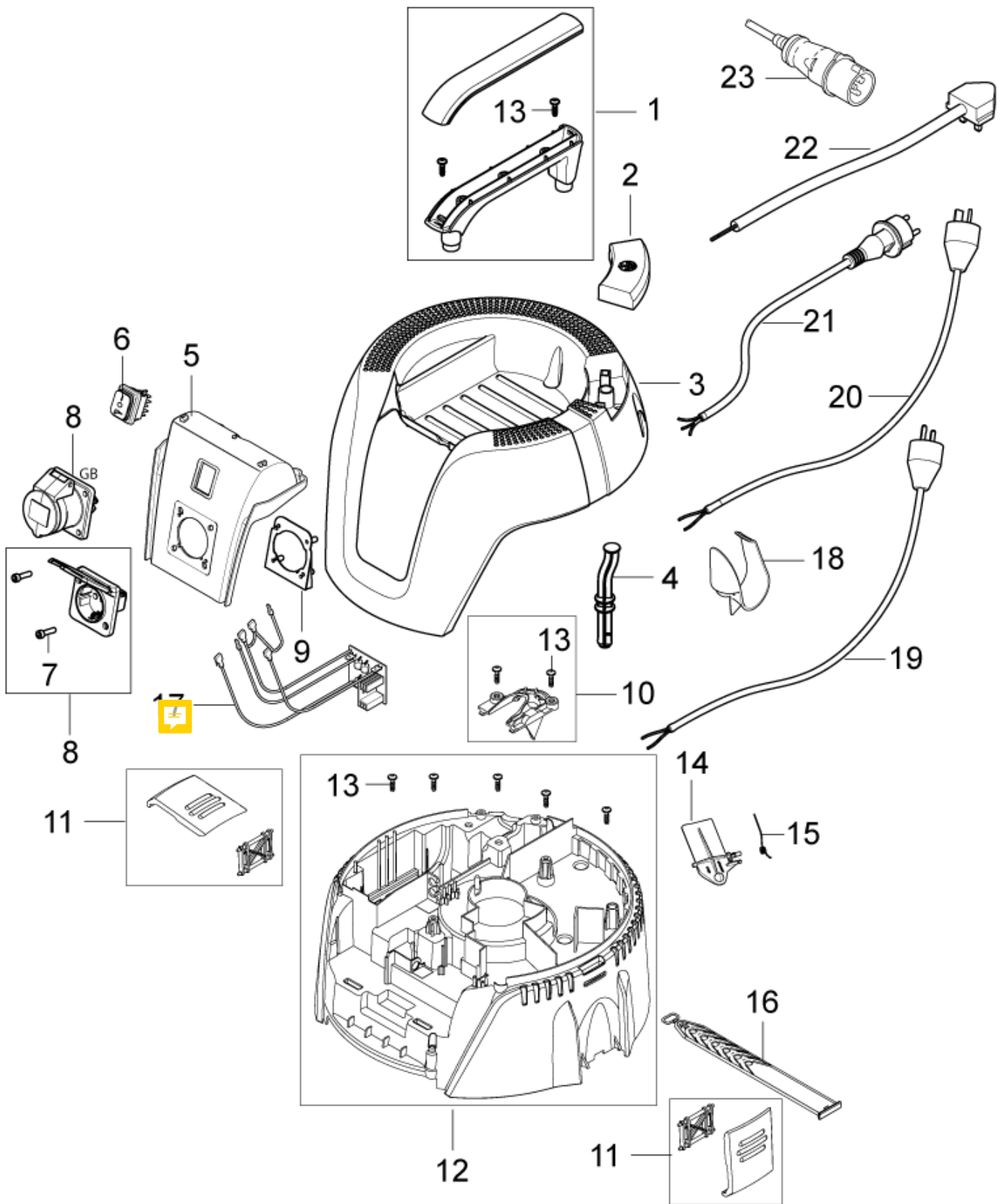
Drawing : AERO2601 Hood 26-01 PC



| IA | Pos. no. | Qty. | Item no. | Item Text |
|----|----------|------|-----------|----------------------------------|
| | 01 | 1 | 107409137 | HANDLE |
| | 02 | 1 | 107409138 | PC BUTTON ADV 1 |
| | 03 | 1 | 107409145 | AERO HEAD COVER 26-2L |
| | 04 | 1 | 107409140 | INTERFACE ADV 1 |
| | 05 | 1 | 107404540 | SWITCH 0-1 DOUBLE POLE SET |
| | 06 | 1 | 107404542 | ANTI-INTEFERENCE CAPACITOR SET |
| | 07 | 1 | 107409125 | CABLE OUTLET |
| | 08 | 1 | 107409141 | PC ROD ADV 1 |
| | 09 | 1 | 107409129 | PC FLAP - KIT |
| | 10 | 1 | 909100083 | TORSION SPRING D0.9X18X45 INOX |
| | 11 | 1 | 107409132 | AERO CLAMPING PLATE |
| | 12 | 2 | 107409130 | CLAMP |
| | 13 | 1 | 302003704 | SCREW EJOT DELTA PT50X18WN5451 |
| | 14 | 1 | 107409131 | RUBBER STRAP |
| | 15 | 1 | 302002392 | POWERCORD AWG 18/2 SJTW X5.7M |
| | 15 | 1 | 302002394 | POWERCORD H05VV-F 2X0.75X5.7M |
| | 16 | 1 | 107409982 | HOSE/CABLE HOOK, AERO 26/31 |
| | 17 | 1 | 60902 | POWER CORD H05VV-F 2X0.75X5.7A |
| | 18 | 1 | 302000452 | POWER CORD H05RR-F 2X0.75X8.25 M |
| | 18 | 1 | 60903 | POWERCORD H05VV-F 2X0.75X5.M S |
| | 19 | 1 | 60904 | POWER CORD H05VV-F 2X0.75X5.7M |

Model : 90122 AERO 26

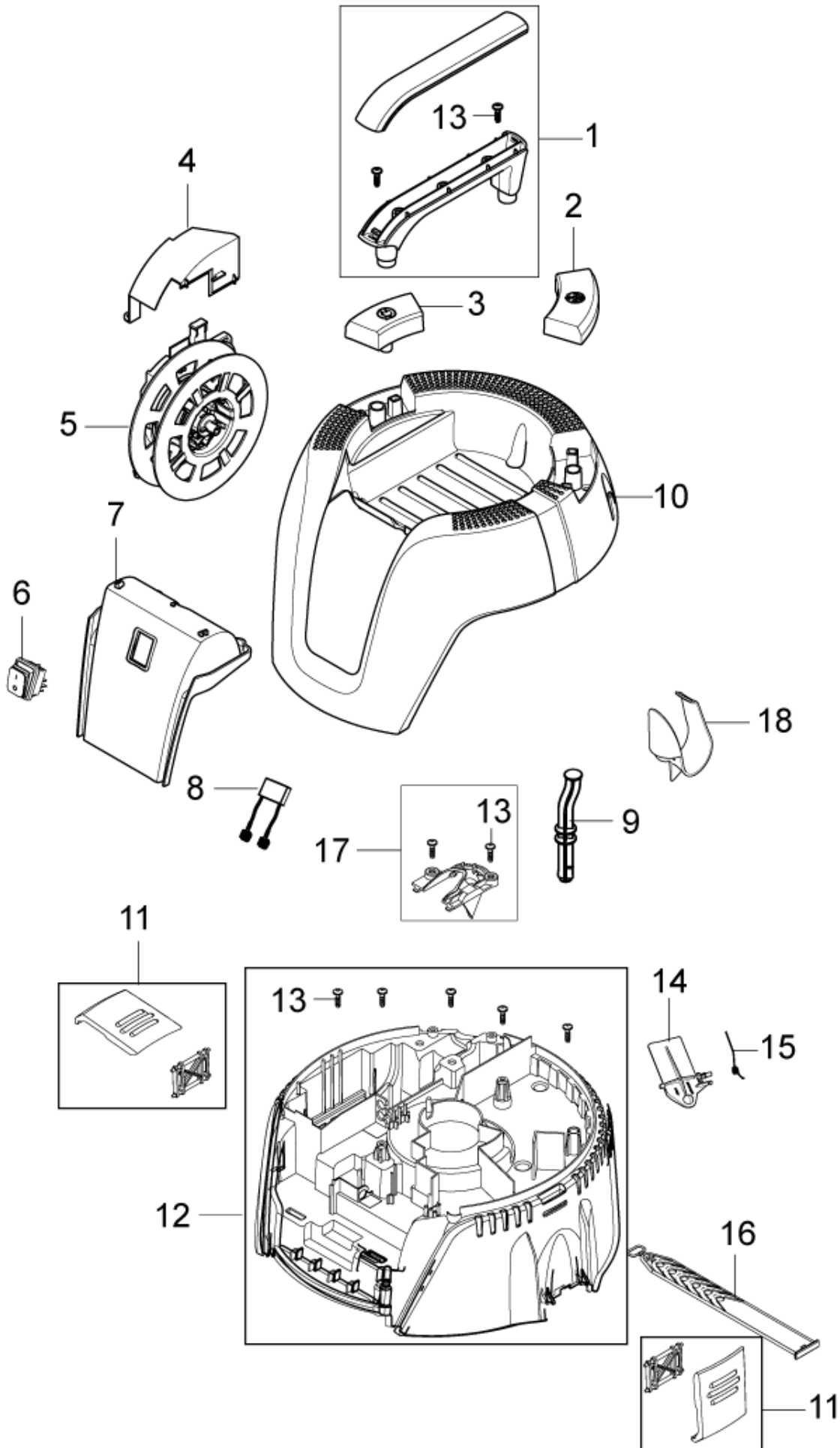
Drawing : AERO2603 Hood 26-21 PC



| IA | Pos. no. | Qty. | Item no. | Item Text |
|----|----------|------|-----------|--------------------------------|
| | 01 | 1 | 107409137 | HANDLE |
| | 02 | 1 | 107409138 | PC BUTTON ADV 1 |
| | 03 | 1 | 107409145 | AERO HEAD COVER 26-2L |
| | 04 | 1 | 107409141 | PC ROD ADV 1 |
| | 05 | 1 | 107409140 | INTERFACE ADV 1 |
| | 06 | 1 | 107409135 | SWITCH 1-0-TOOL |
| | 07 | 1 | 302003705 | SCREW EJOT DELTA PT35X18WN5451 |
| | 08 | 1 | 107400059 | SOCKET 16A/250V CH |
| | 08 | 1 | 107402842 | OUTLET 2P AND PE 16A 110V |
| | 08 | 1 | 302001185 | SOCKET 10A/250V AU |
| | 08 | 1 | 302004034 | SOCKET 16A/250V EU |
| | 08 | 1 | 302004336 | SOCKET 13A/250V GB |
| | 08 | 1 | 302004338 | SOCKET 15A/125V US/CSA |
| | 09 | 1 | 302002052 | PLUG SOCKET PLATE |
| | 10 | 1 | 107409125 | CABLE OUTLET |
| | 11 | 2 | 107409130 | CLAMP |
| | 12 | 1 | 107409132 | AERO CLAMPING PLATE |
| | 13 | 9 | 302003704 | SCREW EJOT DELTA PT50X18WN5451 |
| | 14 | 1 | 107409129 | PC FLAP - KIT |
| | 15 | 1 | 909100083 | TORSION SPRING D0.9X18X45 INOX |
| | 16 | 1 | 107409131 | RUBBER STRAP |
| | 17 | 1 | 107409148 | |
| | 18 | 1 | 107409982 | HOSE/CABLE HOOK, AERO 26/31 |
| | 19 | 1 | 61130 | POWERCORD H05VV-F 3G1.5X5.7M C |
| | 20 | 1 | 302002391 | POWERCORD H05VV-F 3G1.5X5.7M A |
| | 21 | 1 | 302000882 | POWER CORD SJTW-AWG16/3X8 |
| | 22 | 1 | 61129 | POWER CORD H05VV-F3G1.5X5 |
| | 23 | 1 | 302000692 | POWER CORD H07BQ-F3G1.5X8.2 CE |

Model : 90122 AERO 26

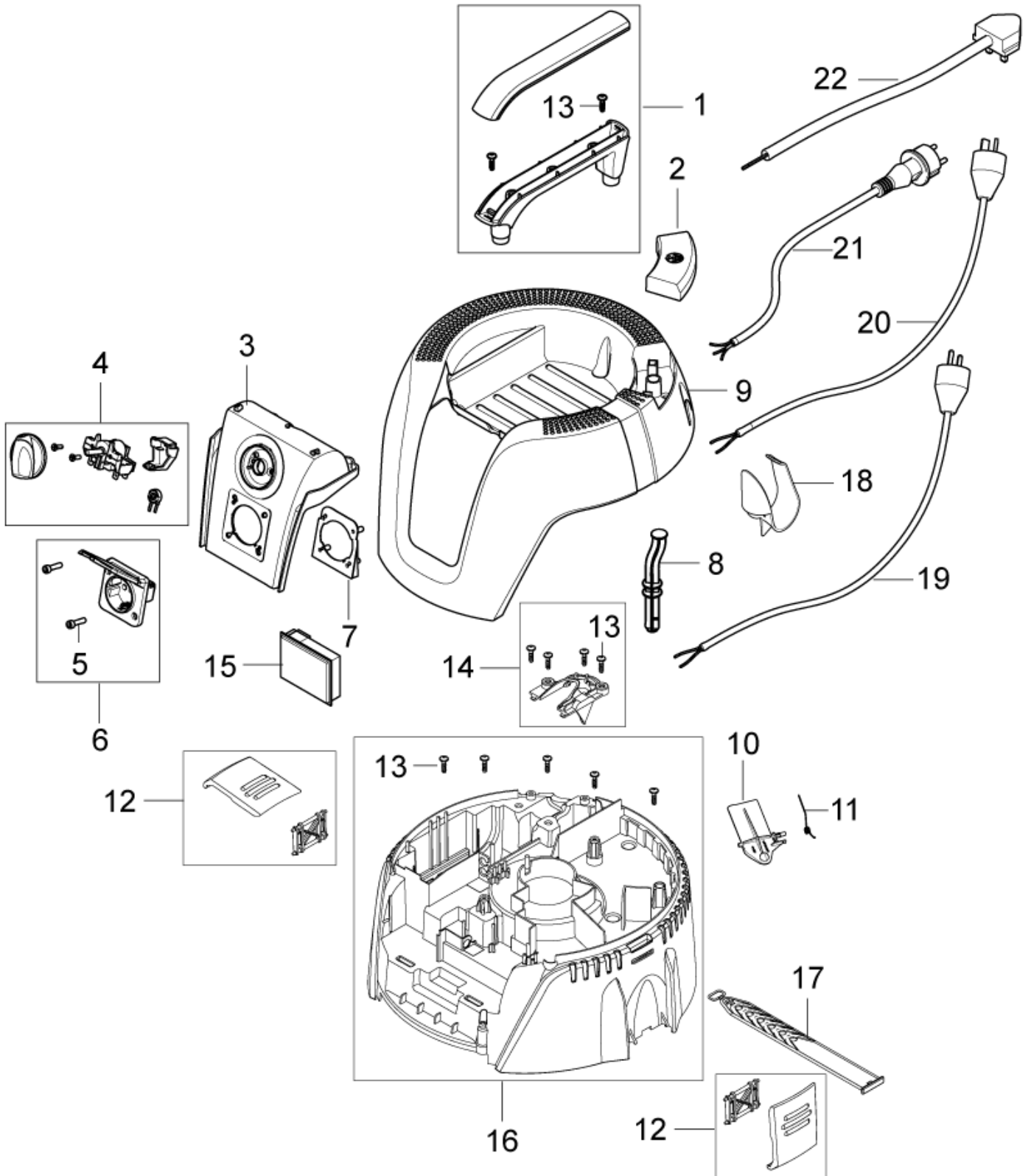
Drawing : AERO2605 Hood 26-01 PC X



| IA | Pos. no. | Qty. | Item no. | Item Text |
|-----------|-----------------|-------------|-----------------|--------------------------------|
| | 01 | 1 | 107409137 | HANDLE |
| | 02 | 1 | 107409138 | PC BUTTON ADV 1 |
| | 03 | 1 | 107409139 | CR BUTTON |
| | 04 | 1 | 107409143 | SPLASH COVER |
| | 05 | 1 | 107409144 | CABLE REWIND |
| | 06 | 1 | 107404540 | SWITCH 0-1 DOUBLE POLE SET |
| | 07 | 1 | 107409140 | INTERFACE ADV 1 |
| | 08 | 1 | 107404542 | ANTI-INTEFERENCE CAPACITOR SET |
| | 09 | 1 | 107409141 | PC ROD ADV 1 |
| | 10 | 1 | 107409142 | AERO ADV 1 HEAD COVER |
| | 11 | 2 | 107409130 | CLAMP |
| | 12 | 1 | 107409132 | AERO CLAMPING PLATE |
| | 13 | 9 | 302003704 | SCREW EJOT DELTA PT50X18WN5451 |
| | 14 | 1 | 107409129 | PC FLAP - KIT |
| | 15 | 1 | 909100083 | TORSION SPRING D0.9X18X45 INOX |
| | 16 | 1 | 107409131 | RUBBER STRAP |
| | 17 | 1 | 107409125 | CABLE OUTLET |
| | 18 | 1 | 107409982 | HOSE/CABLE HOOK, AERO 26/31 |

Model : 90122 AERO 26

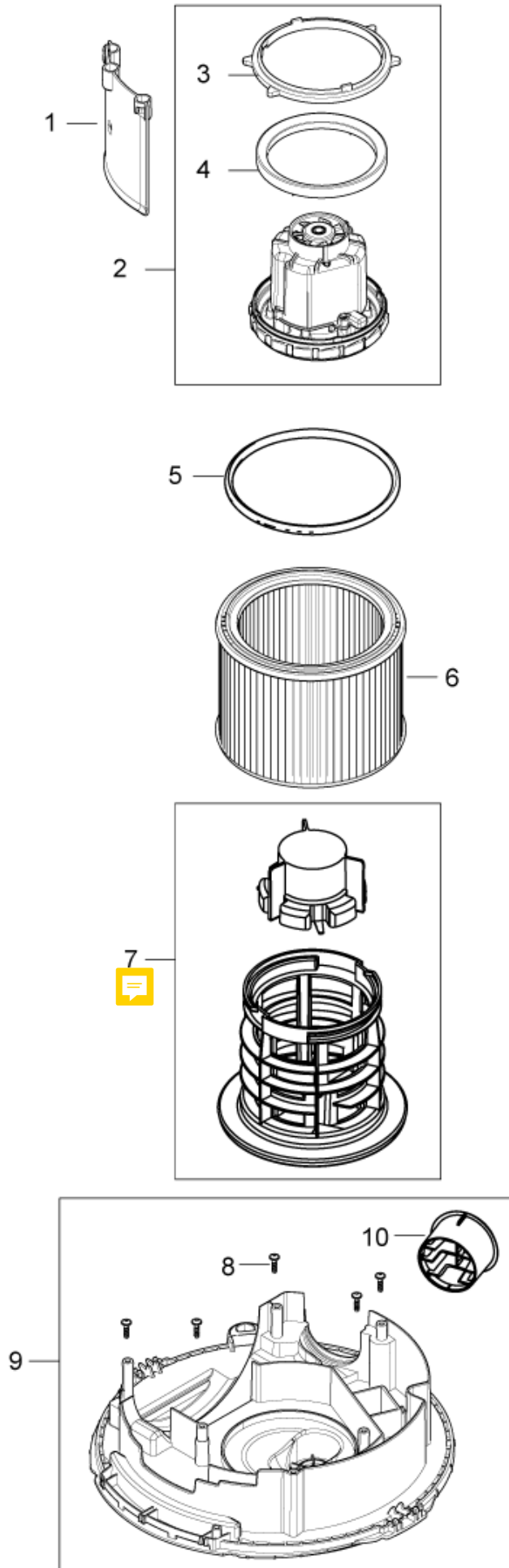
Drawing : AERO2607 Hood 26-2L PC





| IA | Pos. no. | Qty. | Item no. | Item Text |
|----|----------|------|-----------|--------------------------------|
| | 01 | 1 | 107409137 | HANDLE |
| | 02 | 1 | 107409138 | PC BUTTON ADV 1 |
| | 03 | 1 | 107409146 | |
| | 04 | 1 | 107409156 | SWITCH |
| | 05 | 2 | 302003705 | SCREW EJOT DELTA PT35X18WN5451 |
| | 06 | 1 | 107409157 | |
| | 07 | 1 | 302002052 | PLUG SOCKET PLATE |
| | 08 | 1 | 107409141 | PC ROD ADV 1 |
| | 09 | 1 | 107409145 | AERO HEAD COVER 26-2L |
| | 10 | 1 | 107409129 | PC FLAP - KIT |
| | 11 | 1 | 909100083 | TORSION SPRING D0.9X18X45 INOX |
| | 12 | 2 | 107409130 | CLAMP |
| | 13 | 9 | 302003704 | SCREW EJOT DELTA PT50X18WN5451 |
| | 14 | 1 | 107409125 | CABLE OUTLET |
| | 15 | 1 | 107409150 | PCBA |
| | 15 | 1 | 107409190 | |
| | 16 | 1 | 107409132 | AERO CLAMPING PLATE |
| | 17 | 1 | 107409131 | RUBBER STRAP |
| | 18 | 1 | 107409982 | HOSE/CABLE HOOK, AERO 26/31 |
| | 19 | 1 | 107409133 | POWER CORD EU |
| | 20 | 1 | 61132 | POWERCORD HO5VV-F 3G1.0X5.7 SN |

Model : 90122 AERO 26

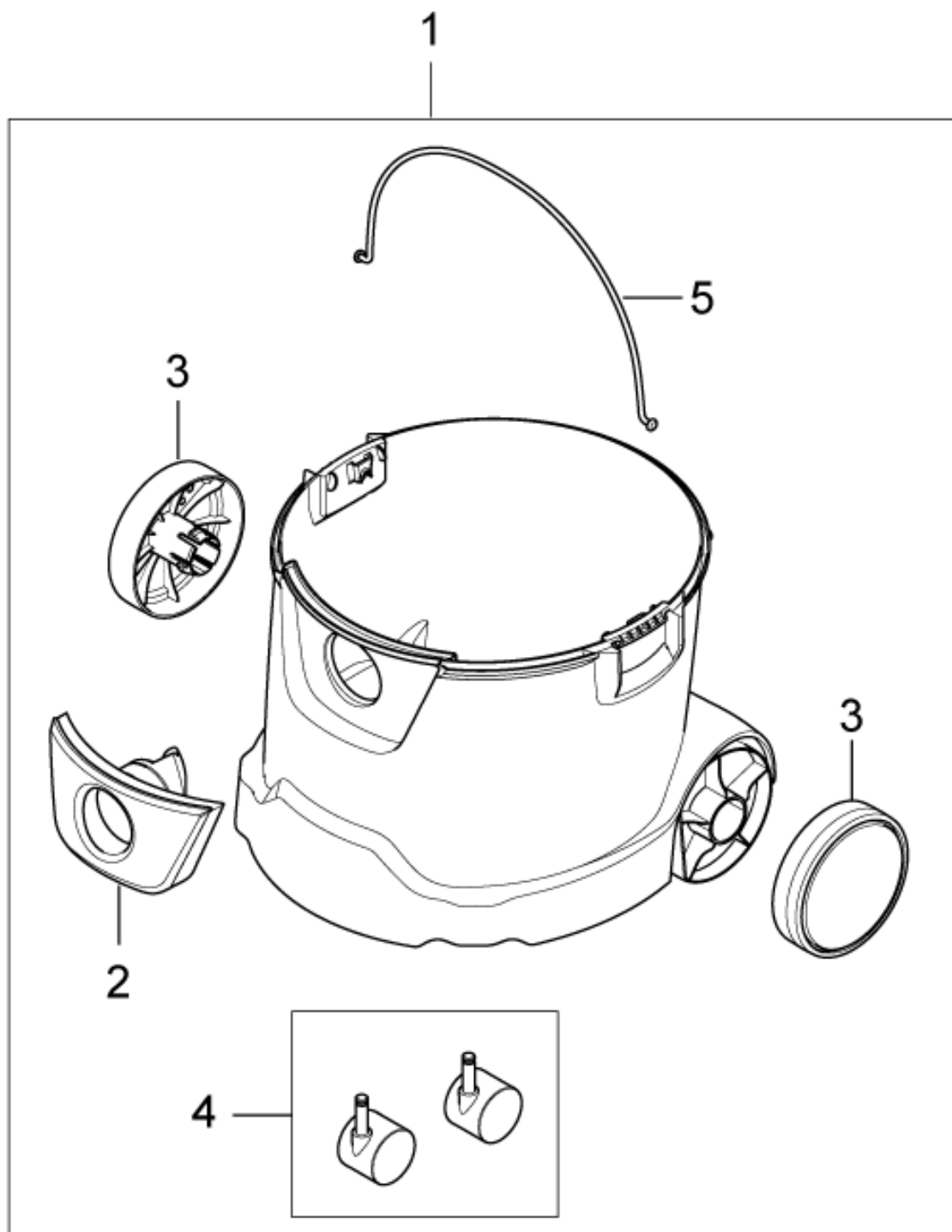
Drawing : AERO2609 Motor and filter



| IA | Pos. no. | Qty. | Item no. | Item Text |
|----|----------|------|-----------|---|
| | 01 | 1 | 107409159 | DEFLECTOR SHIELD |
| | 02 | 1 | 107409160 | MOTOR 230V |
| | 02 | 1 | 107409161 | MOTOR 230V |
| | 02 | 1 | 107409162 |  |
| | 03 | 1 | 107409163 | UPPER MOTOR SEALING |
| | 04 | 1 | 107409164 | LOWER MNOTOR SEALING |
| | 05 | 1 | 107409165 | SEALING FILTER |
| | 06 | 1 | 302000490 | FILTER ELEMENT Ø185X140 PET M-CLASS |
| | 07 | 1 | 107409177 |  |
| | 08 | 5 | 302003704 | SCREW EJOT DELTA PT50X18WN5451 |
| | 09 | 1 | 107409166 | BASEPLATE WITH OUTLET |
| | 10 | 1 | 107409167 | OUTLET |

Model : 90122 AERO 26

Drawing : AERO2611 Container 25L plast



Model : 90122 AERO 26

23-08-2013 10:23:25

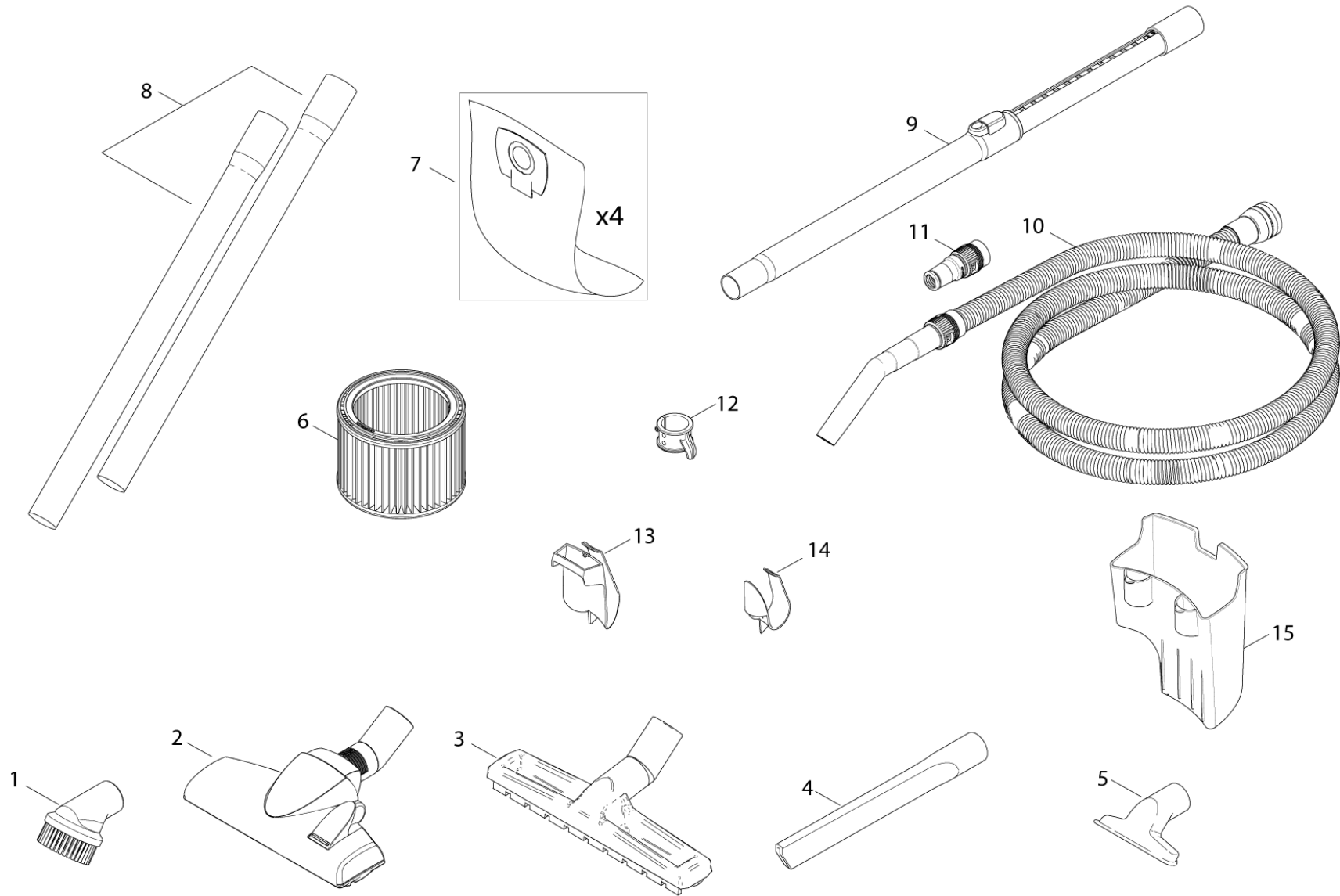
Partlist : AERO2612 Container 25L plast

Page : 1

| IA | Pos. no. | Qty. | Item no. | Item Text |
|-----------|-----------------|-------------|-----------------|-------------------------|
| | 01 | 1 | 107409175 | AERO CONTAINER 25L CPL. |
| | 02 | 1 | 107409169 | INLET FITTING |
| | 03 | 2 | 107409170 | WHEEL D130 |
| | 04 | 1 | 140 6422 500 | WHEELS LINK 50MM |
| | 05 | 1 | 107409171 | HANDLE CONTAINER |

Model : 90122 AERO 26

Drawing : AERO2111 Accessories



Partlist : AERO2112 Accessories

| IA | Pos. no. | Qty. | Item no. | Item Text |
|----|----------|------|-----------|--|
| | 01 | 1 | 302002509 | SUCTION BRUSH D36 BLACK |
| | 02 | 1 | 302002365 | SOIL NOZZLE SWITCHABLE |
| | 03 | 1 | 107402706 | FLOOR NOZZLE D36 W/D -KIT |
| | 03 | 1 | 107407310 | FLOOR NOZZLE D32 RUBBER STRIP |
| | 03 | 1 | 107407311 | FLOOR NOZZLE D32 BRUSH |
| | 04 | 1 | 29541 | CREVICE NOZZLE D36X200 |
| | 05 | 1 | 14295 | UNIVERSAL NOZZLE D36X115 |
| | 06 | 1 | 302000490 | FILTER ELEMENT Ø185X140 PET M-CLASS |
| | 07 | 1 | 302002404 | FILTER BAG AERO 4 PCS |
| | 08 | 1 | 107400032 | EXTENSION TUBE D36 2X500MM ALU |
| | 08 | 1 | 302000529 | EXTEN TUBE D36 2X505MM ST/CR |
| | 08 | 1 | 40696 | EXTENS TUBE PLASTIC SET 2 |
| | 09 | 1 | 107402654 | TELESCOPIC TUBE D36 575-930MM CR-ST |
| | 09 | 1 | 107402705 | TELESCOPIC TUBE PLAST.-KIT |
| | 10 | 1 | 107405599 | SUCTION HOSE D32X2500 CPL. |
| | 10 | 1 | 107405600 | SUCTION HOSE D32x1900 CPL. |
| | 10 | 1 | 107406115 | SUCTION HOSE D32X3500 CPL. |
| | 10 | 1 | 107409976 | UNIV HOSE WITH HAND TUBE D32X3500 CPL. |
| | 11 | 1 | 107409977 | TOOL ADAPTER WITH SUCTION REGULATION D32 |
| | 12 | 1 | 107409978 | TUBE HOLDER KIT D32 |
| | 12 | 1 | 107409979 | TUBE HOLDER KIT D36 |
| | 13 | 1 | 107409981 | HOSE/CABLE HOOK, AERO 21 |
| | 14 | 1 | 107409982 | HOSE/CABLE HOOK, AERO 26/31 |
| | 15 | 1 | 107409980 | TOOL BOX, AERO 26/31 |