

Rev. 06
New item added, Item 4

ITEM NO.	QTY.	PART NUMBER	DESCRIPTION	Material	WEIGHT
1	1	18-PS0074-00	Termination head, Housing, ID 130		22.1
2	1	18-PS0075-00	Termination head, Lifting Lid, single lift		18.3
3	1	18-PS0076-00	Termination head, Lifting Lid, dual lift		14.9
4	1	18-PS0123-00	Cable shim	Plain Carbon Steel	2.5
5	8	15-PS0098-00	Bolt DIN 912/ISO 4762 M12x70	8.8 EIZn	
6	2	15-PS0094-00	RUD VRS M24, WLL 12,8-3,2T		1.0
7	3	15-PS0102-00	Bolt ISO 4017 M10x25	8.8 EIZn	
8	1	15-PS0106-00	RUD VWBG Load ring, VWBG 8-M36, 8t-10t		3.7
9	1	18-PS0083-00	Anti rotating plate	S355J2	4.7
10	1	00-PS0001-12	Draka Cable TSRA 36 kV 3x240 SWA, Datablad PCE2257-005		22,1 kg/m
11	1	00-PS0001-13	Draka Cable TSVA 24 kV 3x50 DWA, Datablad PCE2257-003		12,7 kg/m
12	1		Wirelock, Volume with el. cable and shield= 2,7L / 3,5L		4.8

Additional Information / Notes

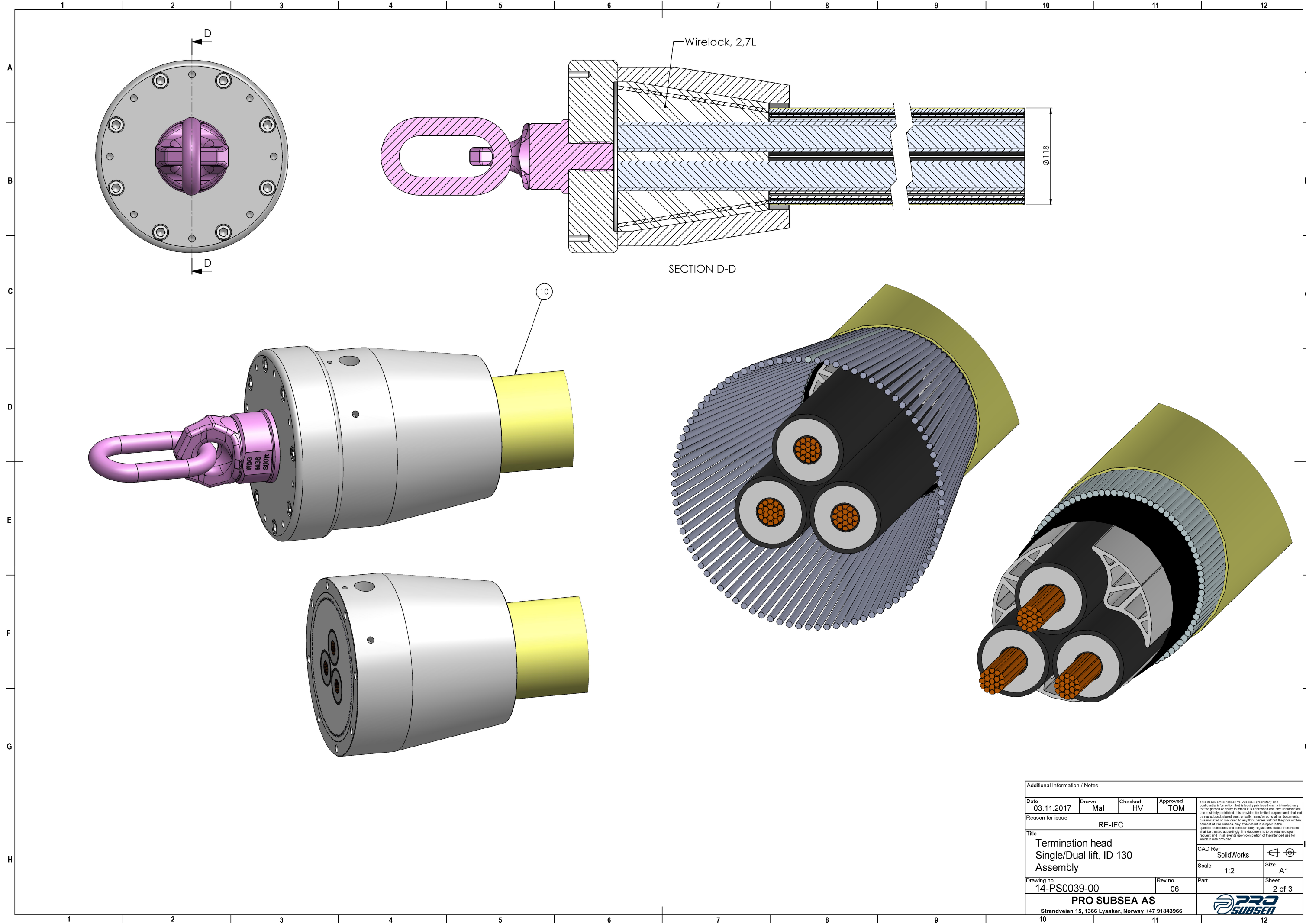
Date	03.11.2017	Drawn	Mal	Checked	HV	Approved	TOM
------	------------	-------	-----	---------	----	----------	-----

Reason for issue: RE-IFC

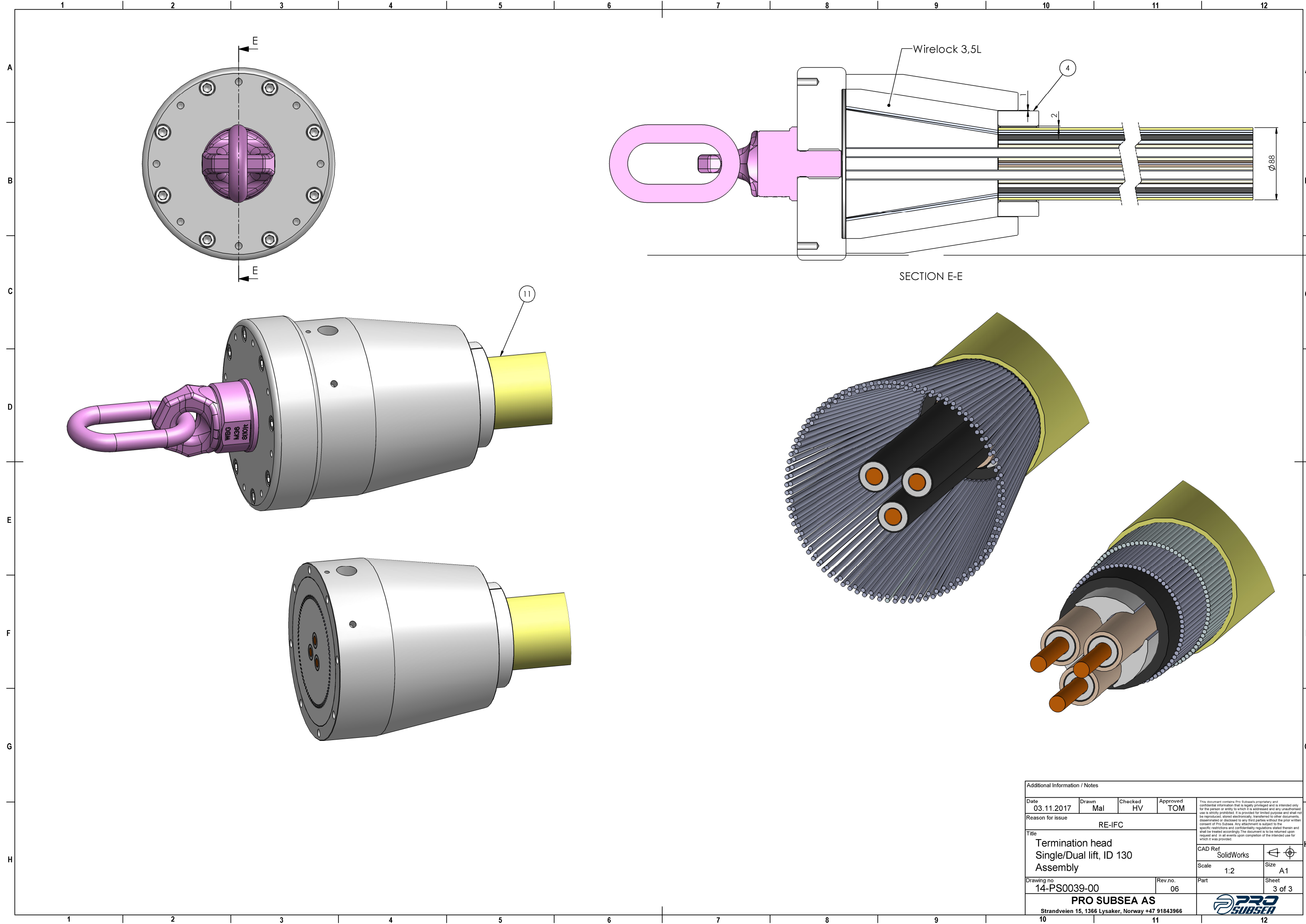
Title: Termination head Single/Dual lift, ID 130 Assembly

CAD Ref	SolidWorks	Scale	1:2	Size	A1
Drawing no	14-PS0039-00	Rev. no.	06	Part	Sheet 1 of 3

PRO SUBSEA AS
Strandveien 15, 1366 Lysaker, Norway +47 91843966



Additional Information / Notes									
Date	03.11.2017	Drawn	Mal	Checked	HV	Approved	TOM	<small>This document contains the Subsea proprietary and confidential information that is legally privileged and is intended only for the person or entity to which it is addressed and any unauthorised use is strictly prohibited. It is provided for limited purpose and shall not be reproduced, stored electronically, transferred to other documents, disseminated or disclosed to any third parties without the prior written consent of Pro Subsea. Any attachment is subject to the specific restrictions and confidentiality regulations stated therein and shall be treated accordingly. The document is to be returned upon request and, in all events upon completion of the intended use for which it was provided.</small>	
Reason for issue	RE-IFC				CAD Ref	SolidWorks			
Title	Termination head Single/Dual lift, ID 130 Assembly				Scale	1:2	Size		A1
Drawing no	14-PS0039-00	Rev. no.	06	Part		Sheet	2 of 3		
PRO SUBSEA AS Strandveien 15, 1366 Lysaker, Norway +47 91843966									



Additional Information / Notes				
Date	Drawn	Checked	Approved	<small>This document contains Pro Subsea proprietary and confidential information that is legally privileged and is intended only for the person or entity to which it is addressed and any unauthorised use is strictly prohibited. It is provided for limited purpose and shall not be reproduced, stored electronically, transferred to other documents, disseminated or disclosed to any third parties without the prior written consent of Pro Subsea. Any attachment is subject to the specific restrictions and confidentiality regulations stated therein and shall be treated accordingly. The document is to be returned upon request and, in all events upon completion of the intended use for which it was provided.</small>
03.11.2017	Mal	HV	TOM	
Reason for issue				
RE-IFC				
Title				CAD Ref
Termination head				SolidWorks
Single/Dual lift, ID 130				Scale
Assembly				1:2
Drawing no				Sheet
14-PS0039-00				3 of 3
Rev no				Part
06				
PRO SUBSEA AS Strandveien 15, 1366 Lysaker, Norway +47 91843966				