

T **R** **O** **N** **E** **X**[®]



CUTTERS & PLIERS

LEADER IN CUTTING EDGE TECHNOLOGY FOR OVER 35 YEARS

WWW.TRONEXTOOLS.COM



TABLE OF CONTENTS

INFO

Experience	4
Quality	6
Benefits of Tronex	8

CUTTERS

About Tronex Cutters	10
Oval Head Cutters	12
Taper Head Cutters	14
Standoff Cutters	15
Tip Cutters	16
Angulated Cutters	18
About Hard Wire Cutters	20
Hard Wire Cutters	22

PLIERS

About Tronex Pliers	24
Chain Nose + Needle Nose Pliers	26
Needle Nose + Round Nose Pliers	27
Flat Nose Pliers	28
Bent Nose Pliers	30

INDEX

Index by Model Number	31
-----------------------	----

EXPERIENCE IN THE INDUSTRY

Founded in 1982 in Napa, California; near famed Silicon valley, Tronex initially developed products specifically to meet the demanding needs of the region's high tech electronics industry customers. Tronex has since expanded to manufacture not only cutters, but also pliers. In 2016, Tronex further expanded to become a distributor of precision and economy tweezers. Our experience and high standards of excellence have made Tronex the most trusted resource for supplying high performance hand tools to the top electronics, aerospace & defense, and medical device manufacturing companies in the world. Tronex is proud to offer more styles, features and options than anyone else in the industry.





1982

1983

1984

1985

1986

1987

1988

1989

1990

1991

1992

1993

1994

1995

1996

1997

1998

1999

2000

2001

2002

2003

2004

2005

2006

2007

2008

2009

2010

2011

2012

2013

2014

2015

2016

2017

1982

THE FIRST TRONEX
PRECISION CUTTERS MANUFACTURED

2005

GREAT EXPANSION
OF TRONEX: PLIERS MANUFACTURE

2016

INTRODUCTION OF TRONEX
PRECISION TWEEZERS

QUALITY MANUFACTURING



OUR FACILITIES

Tronex operates in state of the art facilities located in Fairfield, CA; just outside of Napa. With the latest technology and machinery, Tronex is able to produce the highest quality tools for customers all over the world.



TRONEX STANDARD OF EXCELLENCE

Tronex is world renowned for focus on quality, craftsmanship and innovation. Tronex cutters and pliers are manufactured in our US facility starting with the best quality materials and a unique, high performance design.



IN THE USA

QUALITY GUARANTEE

We carefully inspect every single tool prior to shipment and offer our quality guarantee: Cutting tests are performed on every single cutter before shipping. Tronex warrants our tools to be free from defects in material and workmanship for the life of the tool.



CRAFTSMANSHIP



Most of our tool makers have been with Tronex for over 10 years. All of our craftsman are specially trained to keep quality at the forefront, from the beginning of the tool manufacturing process to the final finishing touches.

BENEFITS OF SELECTING



HANDLE LENGTH

Almost all Tronex styles are available with either standard handles or longer, ergonomic handles. Model numbers which start with a “5” have standard handles and model numbers which start with a “7” have longer, ergonomic handles

PROTECTIVE CAP

All Tronex cutters and pliers come with a useful protective cap designed to protect the tips, prevent possible operator injury and keep out moisture.



T R O N E X[®]

CUSHION GRIPS

All Tronex cutters and pliers come standard with double cushion grips surrounding the steel handles. These comfortable grips have a non-slip, suede-like surface and are made from static-dissipative material which is ESD safe.



OR



SKINNY GRIPS

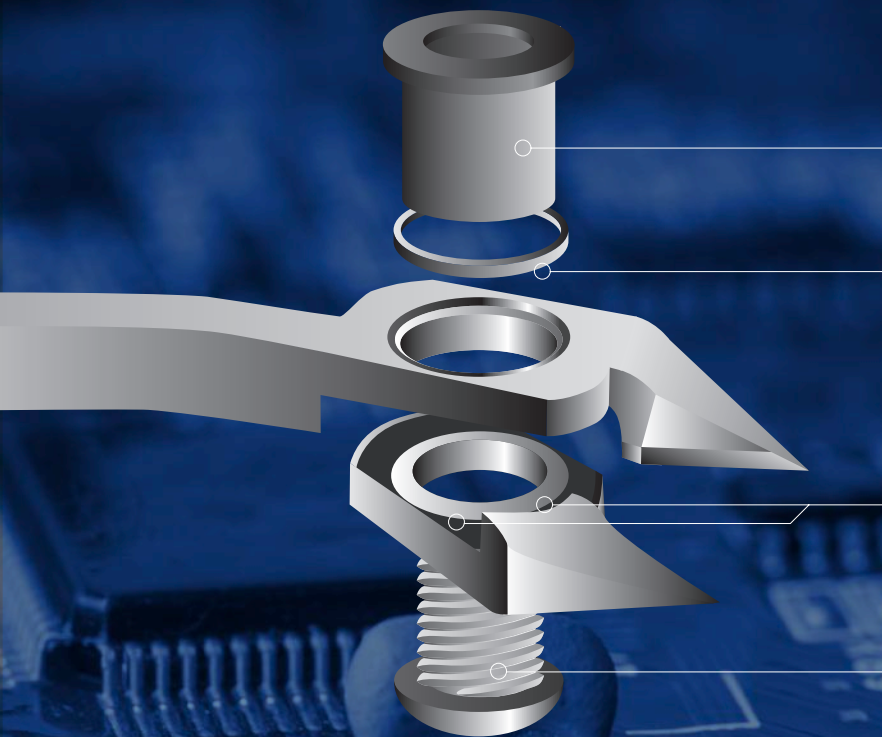
Tronex now offers “skinny grips”. These thin, red silicone grips are available for almost any Tronex hand tool. Simply add “G” to the end of any Tronex model number to request this feature.

TRONEX CUTTERS

UNIQUE IN EVERY WAY

A UNIQUE JOINT

Tronex cutters feature a unique, innovative joint designed for smooth function, strength, durability and comfort. No one else makes a joint like Tronex. This is one of the reasons why Tronex cutters are considered the best performing precision hand cutters in the world.



Nut is very strong, tough and hardened to resist high cutting loads

Delrin washer eliminates metal-to-metal wear and reduces friction

Matched bearing rings minimize metal-to-metal contact

Screw with fine-pitched threads for perfect factory setting

SUPERIOR CUTTING

- Cuts hundreds of thousands of times before dulling
- Cuts hundreds of thousands of times after resharpening
- Cuts crisply at the very tip and cut along the entire length of the cutting edges
- Cuts in confined areas
- Cuts wire and leads that are thinner than a human hair

OTHER FEATURES

- Cuts extremely flush with no burrs
- Made in the USA
- Made from high quality US carbon steel
- Stainless steel leaf springs
- ESD Safe Cushion Grips
- Induction hardened cutting edges

ERS

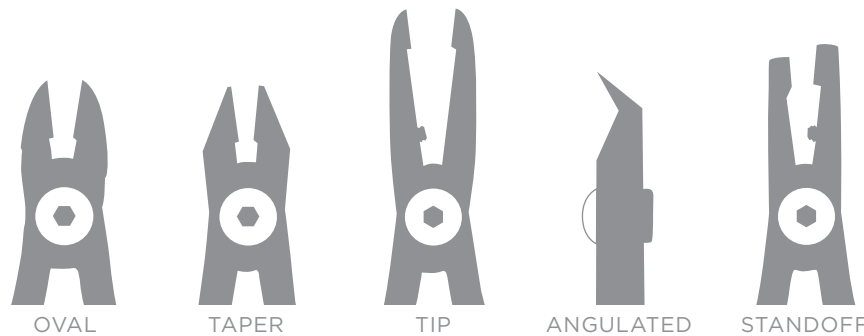
OPTIONS FOR EVERY NEED

SELECTING A CUTTER

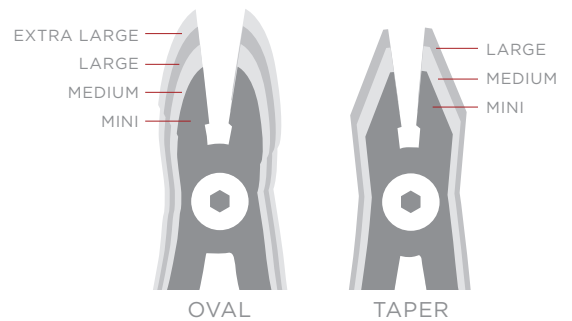
Selecting the right cutter for your specific application is very important. Several things should be considered including:

1. Access to what is being cut (head shape)
2. The material and gauge wire being cut (head size)
3. What kind of a cut is needed (edge finish)
4. What feels most comfortable (grips style and size)

HEAD SHAPE



HEAD SIZE

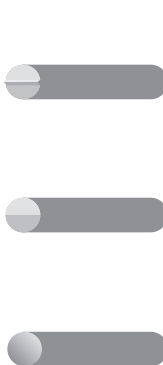


PROFILE



Cutters with relieved (low profile) heads permit increased access to confined areas. See photos for the difference between a standard cutter and a cutter with a relieved head.

EDGE FINISH

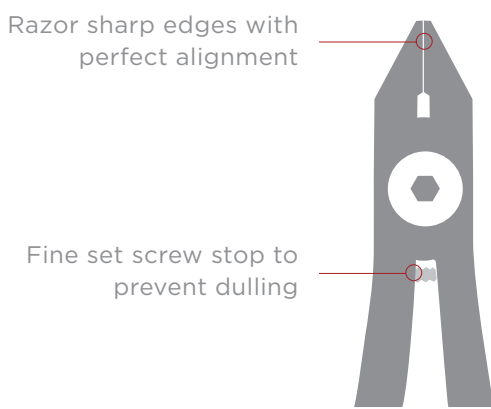


SEMI-FLUSH: Small edge bevel to cut thicker wire and leads. Greatest resistance to dulling. Will leave a “pinch” in the middle of the end of material being cut.

FLUSH: Very thin edge bevel that leaves only an exceptionally small “pinch” in the middle of the end of the material being cut. Good compromise between Semi-Flush and Razor Flush® edge finishes.

RAZOR FLUSH®: No edge bevel, no “pinch”. Cutter operates like two razor blades coming together. Dull faster than cutters with Semi-Flush or Flush edge finish.

RAZOR FLUSH®



Razor Flush® cutters are machine ground to make the edges razor sharp with perfect alignment. Wire or leads cut with Razor Flush® cutters will be left with no raised surface or “pinch”. Also Razor Flush® cutters minimize shock when cutting leads on components. All Tronex cutters with Razor Flush® cutting edges have a fine set screw stop built into the handle or jaw of the cutter to prevent these exceptionally sharp edges from dulling themselves, even when an operator applies a strong cutting force.

OVAL HEAD CUTTERS

MINI OVAL CUTTERS are used for fine cutting work, such as with SMT, or work under a microscope.

 <p>.28" (7.1mm) .38" (9.6mm) 5313</p>	STANDARD PROFILE	STANDARD HANDLE	LONG ERGONOMIC HANDLE	CUTTING EDGE	CUTTING CAPACITY (SOFT COPPER WIRE)
	 <p>.16" (4.1mm) .04" (1.0mm) 16°</p>	5311	7311	SEMI-FLUSH	.008"-.049" 0.2mm-1.25mm 32-16 AWG
		5312	7312	FLUSH	.004"-.049" 0.1mm-1.25mm 38-16 AWG
		5313	7313	RAZOR FLUSH®	.004"-.031" 0.1mm-.8mm 38-20 AWG
OAL SHORT HANDLE: 4.5" (115mm) LONG ERGONOMIC HANDLE: 5.5" (140mm)					

MEDIUM OVAL CUTTERS are extremely popular. Used for general purpose cutting. Strong. Versatile.

 <p>.37" (9.5mm) .45" (11.4mm) 5111 USA</p>	STANDARD PROFILE	STANDARD HANDLE	LONG ERGONOMIC HANDLE	CUTTING EDGE	CUTTING CAPACITY (SOFT COPPER WIRE)
	 <p>.23" (5.9mm) .04" (1.0mm) 16°</p>	5111	7111	SEMI-FLUSH	.008"-.049" 0.2mm-1.25mm 32-16 AWG
		5112	7112	FLUSH	.006"-.049" 0.15mm-1.25mm 35-16 AWG
		5113	7113	RAZOR FLUSH®	.004"-.039" 0.10mm-1mm 38-18 AWG
 <p>.13" (3.4mm) .04" (1.0mm) 16°</p>	RELIEF PROFILE	STANDARD HANDLE	LONG ERGONOMIC HANDLE	CUTTING EDGE	CUTTING CAPACITY (SOFT COPPER WIRE)
		5121	7121	SEMI-FLUSH	.008"-.047" 0.2mm-1.2mm 32-16 AWG
		5122	7122	FLUSH	.004"-.047" 0.1mm-1.2mm 38-16 AWG
		5123	7123	RAZOR FLUSH®	.004"-.035" 0.1mm-.9mm 38-19 AWG
OAL SHORT HANDLE: 4.6" (117mm) LONG ERGONOMIC HANDLE: 5.6" (142mm)					

LARGE OVAL CUTTERS have more head material for greater cutting capacity. General purpose.

 <p>.41" (10.5mm) .53" (13.4mm) 5511 USA</p>	STANDARD PROFILE	STANDARD HANDLE	LONG ERGONOMIC HANDLE	CUTTING EDGE	CUTTING CAPACITY (SOFT COPPER WIRE)
	 <p>.23" (5.9mm) .05" (1.2mm) 16°</p>	5511	7511	SEMI-FLUSH	.008"-.059" 0.2mm-1.5mm 32-15 AWG
		5512	7512	FLUSH	.006"-.059" 0.15mm-1.5mm 35-15 AWG
		5513	7513	RAZOR FLUSH®	.004"-.051" 0.1mm-1.3mm 38-16 AWG
 <p>.13" (3.4mm) .05" (1.2mm) 16°</p>	RELIEF PROFILE	STANDARD HANDLE	LONG ERGONOMIC HANDLE	CUTTING EDGE	CUTTING CAPACITY (SOFT COPPER WIRE)
		5521	7521	SEMI-FLUSH	.008"-.055" 0.2mm-1.4mm 32-15 AWG
		5522	7522	FLUSH	.006"-.055" 0.15mm-1.4mm 35-15 AWG
		5523	7523	RAZOR FLUSH®	.004"-.047" 0.1mm-1.2mm 38-16 AWG
OAL SHORT HANDLE: 4.7" (119mm) LONG ERGONOMIC HANDLE: 5.7" (144mm)					

LARGE OVAL CUTTERS WITH ROUNDED EDGES & BLUNTED TIPS

 <p>.41" (10.5mm) .53" (13.4mm) Blunted Tip Rounded Edges 5511A USA</p>	STANDARD PROFILE	STANDARD HANDLE	LONG HANDLE	CUTTING EDGE	CUTTING CAPACITY (SOFT COPPER WIRE)
	 <p>.23" (5.9mm) .05" (1.2mm) 16°</p>	5511A	7511A	SEMI-FLUSH	.008"-.059" 0.2mm-1.5mm 32-15 AWG
<p>Designed for cutting plastic cable ties in avionics manufacturing. These special cutters feature rounded edges to avoid nicking surrounding material. The large round head is capable of cutting heavy gauge wires and plastic cable ties. This is an excellent cutter for avionics wire harness cutting.</p>					
OAL SHORT HANDLE: 4.6" (116mm) LONG ERGONOMIC HANDLE: 5.6" (141mm)					

EXTRA LARGE OVAL CUTTERS

EXTRA LARGE OVAL CUTTERS				
STANDARD PROFILE	STANDARD HANDLE	CUTTING EDGE	CUTTING CAPACITY (SOFT COPPER WIRE)	
	5611	SEMI-FLUSH	.020"-.080" 0.4mm-2mm 26-12 AWG	
	5612	FLUSH	.010"-.080" 0.3mm-2mm 29-12 AWG	
	5613	RAZOR FLUSH®	.010"-.060" 0.3mm-1.6mm 29-14 AWG	
<p>This cutter has a longer and wider cutter head which permits an expanded cutting capacity. Able to cut confidently through heavy duty wire, our extra large oval is popular for a variety of applications and industries. Available in mid sized handles.</p>				
<p>OAL MEDIUM HANDLE: 5.5" (140mm)</p>				

EXTRA LARGE OVAL CUTTERS WITH ROUDED EDGES & BLUNTED TIPS				
STANDARD PROFILE	STANDARD HANDLE	CUTTING EDGE	CUTTING CAPACITY (SOFT COPPER WIRE)	
	5611A	SEMI-FLUSH	.020"-.080" 0.4mm-2mm 26-12 AWG	
	<p>Designed specifically for cutting plastic cable ties in avionics manufacturing. These special cutters feature rounded edges to avoid nicking surrounding material. The large round head is capable of cutting heavy gauge wires and plastic cable ties. This is an excellent cutter for avionics wire harness cutting. Available in mid sized handles.</p>			
<p>OAL MEDIUM HANDLE: 5.4" (137mm)</p>				

HEAVY DUTY CUTTERS				
STANDARD PROFILE	STANDARD HANDLE	LONG HANDLE	CUTTING EDGE	CUTTING CAPACITY (SOFT COPPER WIRE)
	5811	7811	SEMI-FLUSH	.020"-.080" 0.4mm-2mm 26-12 AWG
	5812	7812	FLUSH	.010"-.080" 0.3mm-2mm 29-12 AWG
<p>Wire harness and jewelry making are popular applications for our heavy duty cutters. This cutter, forged of carbon steel, has strength in the head and joint areas needed to cut heavier gauge wire or cable. Cushion grips provide operator comfort. A jaw restraining device is attached to ensure ensure spring retention.</p>				
<p>OAL SHORT HANDLE: 5.2" (132mm) LONG ERGONOMIC HANDLE: 6.2" (156mm)</p>				

Oval head cutters are excellent general purpose cutters. With additional material in the head, oval head cutters are strong and durable. They are the best option when access is not an issue. Tronex offers a wide variety of oval head sizes and features.

TAPER HEAD CUTTERS

MINI TAPER CUTTERS Used only for exceptionally fine cutting work when access to the cutting area is difficult.

	STANDARD PROFILE	STANDARD HANDLE	LONG ERGONOMIC HANDLE	CUTTING EDGE	CUTTING CAPACITY (SOFT COPPER WIRE)
		5411	7411	SEMI-FLUSH	.008"-.049" 0.2mm-1.25mm 32-16 AWG
		5412	7412	FLUSH	.004"-.049" 0.1mm-1.25mm 38-16 AWG
		5413	7413	RAZOR FLUSH®	.004"-.031" 0.1mm-0.8mm 38-20 AWG
	RELIEF PROFILE	STANDARD HANDLE	LONG ERGONOMIC HANDLE	CUTTING EDGE	CUTTING CAPACITY (SOFT COPPER WIRE)
		5421	7421	SEMI-FLUSH	.008"-.043" 0.2mm-1.1mm 32-17 AWG
5422		7422	FLUSH	.004"-.039" 0.1mm-1mm 38-18 AWG	
5423		7423	RAZOR FLUSH®	.004"-.028" 0.1mm-0.7mm 38-21 AWG	
OAL		SHORT HANDLE: 4.6" (117mm) LONG ERGONOMIC HANDLE: 5.6" (142mm)			

MEDIUM TAPER CUTTERS Very popular cutter models providing cutting capacity & outstanding access.

	STANDARD PROFILE	STANDARD HANDLE	LONG ERGONOMIC HANDLE	CUTTING EDGE	CUTTING CAPACITY (SOFT COPPER WIRE)
		5211	7211	SEMI-FLUSH	.008"-.049" 0.2mm-1.25mm 32-16 AWG
		5212	7212	FLUSH	.006"-.049" 0.15mm-1.25mm 35-16 AWG
		5213	7213	RAZOR FLUSH®	.004"-.039" 0.1mm-1mm 38-18 AWG
	RELIEF PROFILE	STANDARD HANDLE	LONG ERGONOMIC HANDLE	CUTTING EDGE	CUTTING CAPACITY (SOFT COPPER WIRE)
		5221	7221	SEMI-FLUSH	.008"-.045" 0.2mm-1.15mm 32-17 AWG
5222		7222	FLUSH	.004"-.041" 0.1mm-1.05mm 38-19 AWG	
5223		7223	RAZOR FLUSH®	.004"-.035" 0.1mm-0.9mm 38-19 AWG	
Pointed head allows for increased cutting access yet has sufficient strength to avoid tip breakage when used within its capacity. Most popular cutters.					
OAL		SHORT HANDLE: 4.6" (117mm) LONG ERGONOMIC HANDLE: 5.6" (142mm)			

LARGE TAPER CUTTERS Extra long jaw for possibly cutting multiple leads.

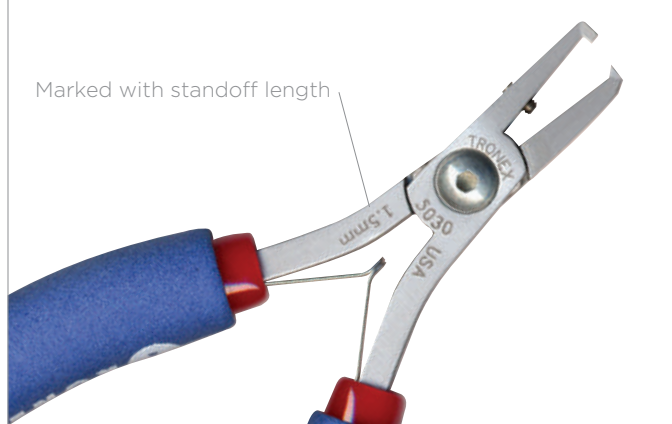
	STANDARD PROFILE	STANDARD HANDLE	LONG ERGONOMIC HANDLE	CUTTING EDGE	CUTTING CAPACITY (SOFT COPPER WIRE)
		7711	7711	SEMI-FLUSH	.008"-.051" 0.2mm-1.3mm 32-16 AWG
		7712	7712	FLUSH	.006"-.051" 0.15mm-1.3mm 35-16 AWG
		7713	7713	RAZOR FLUSH®	.004"-.047" 0.1mm-1.2mm 38-16 AWG
	RELIEF PROFILE	STANDARD HANDLE	LONG ERGONOMIC HANDLE	CUTTING EDGE	CUTTING CAPACITY (SOFT COPPER WIRE)
		7721	7721	SEMI-FLUSH	.008"-.049" 0.2mm-1.25mm 32-16 AWG
7722		7722	FLUSH	.006"-.047" 0.15mm-1.2mm 35-16 AWG	
7723		7723	RAZOR FLUSH®	.004"-.035" 0.1mm-0.9mm 38-19 AWG	
OAL		SHORT HANDLE: 4.7" (120mm) LONG ERGONOMIC HANDLE: 5.7" (145mm)			

STANDOFF CUTTERS

CUT TO A PREDETERMINED LENGTH

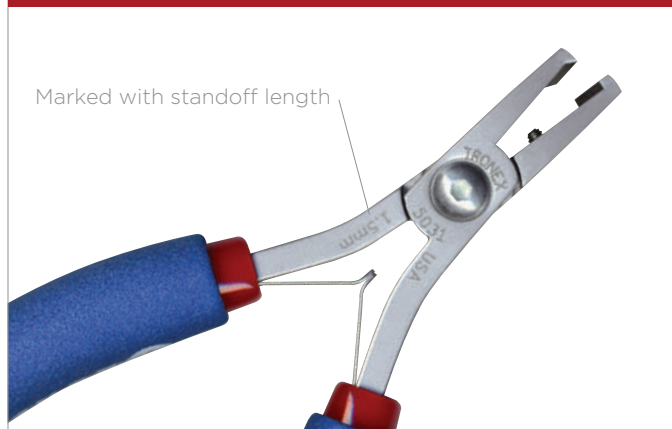
Standoff length available from .5mm to 3mm. Includes unique anti-dulling protection. Set screw prevents cutting edge from hitting the standoff leg after a cut has been made. Cutting edge hardened by induction heat treating.

90° STANDOFF CUTTER

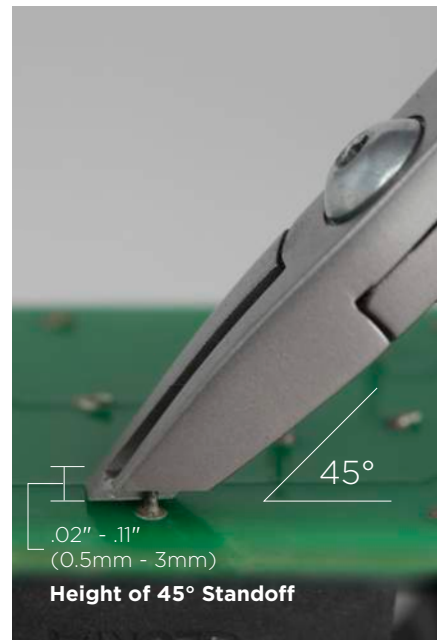


STANDARD HANDLE	LONG ERGONOMIC HANDLE	CUTTING EDGE	CUTTING CAPACITY (SOFT COPPER WIRE)
5030	7030	FLUSH	.008"-.025" 0.2mm-0.64mm 32-22 AWG
OAL SHORT HANDLE: 4.8" (122mm) LONG ERGONOMIC HANDLE: 5.8" (148mm)			


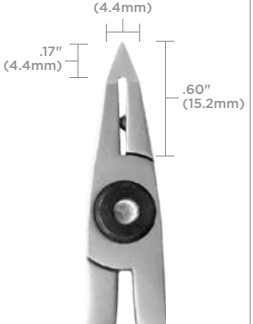

45° STANDOFF CUTTER



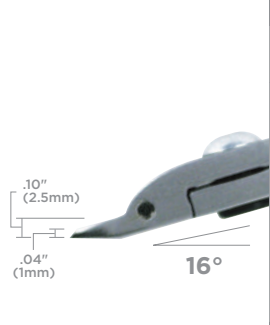


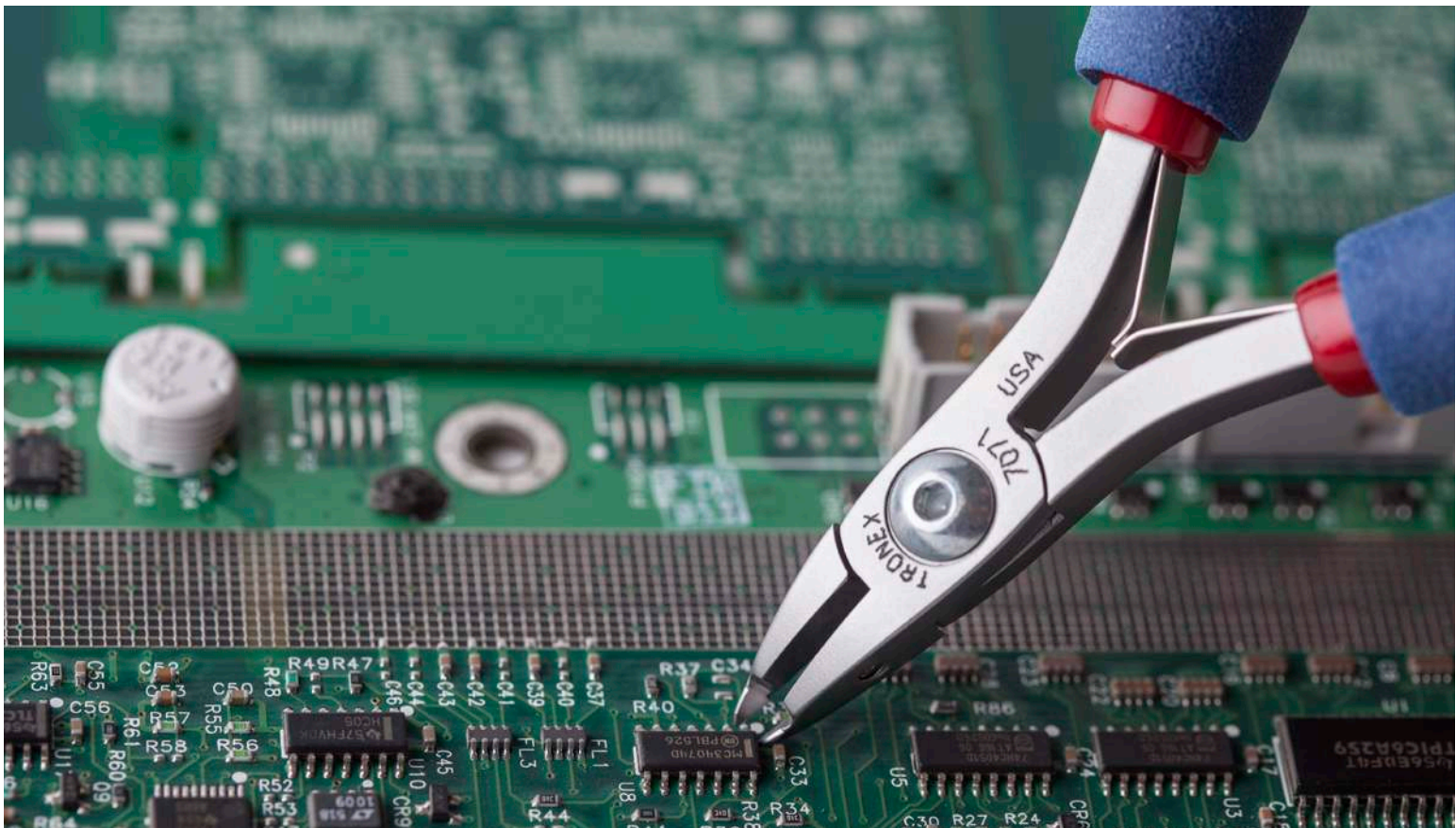
STANDARD HANDLE	LONG ERGONOMIC HANDLE	CUTTING EDGE	CUTTING CAPACITY (SOFT COPPER WIRE)
5031	7031	FLUSH	.008"-.025" 0.2mm-0.64mm 32-22 AWG
OAL SHORT HANDLE: 4.8" (122mm) LONG ERGONOMIC HANDLE: 5.8" (148mm)			



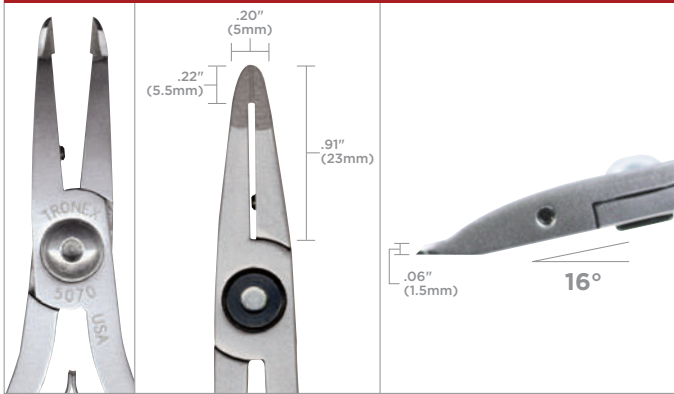
TIP CUTTERS

FINE TIP CUTTER			STANDARD HANDLE	CUTTING EDGE	CUTTING CAPACITY (SOFT COPPER WIRE)
  	5048	RAZOR FLUSH®	.004"-.025" 0.1mm-0.65mm 38-22 AWG	Ultra fine tips for working with extremely fine electronics applications. Same as 5049 but with pointed tips rather than rounded tips.	
	OAL SHORT HANDLE: 4.8" (123mm)				

MINIATURE HIGH RELIEF TIP CUTTER				STANDARD HANDLE	LONG ERGONOMIC HANDLE	CUTTING EDGE	CUTTING CAPACITY (SOFT COPPER WIRE)
  	5049	7049	RAZOR FLUSH®	.004"-.025" 0.1mm-0.65mm 38-22 AWG	Tip cutter with deep relief for an exceptionally low profile. Short sturdy jaw. Slightly rounded tips.		
	OAL SHORT HANDLE: 4.8" (121mm) LONG ERGONOMIC HANDLE: 5.8" (146mm)						



SMALL TIP CUTTER



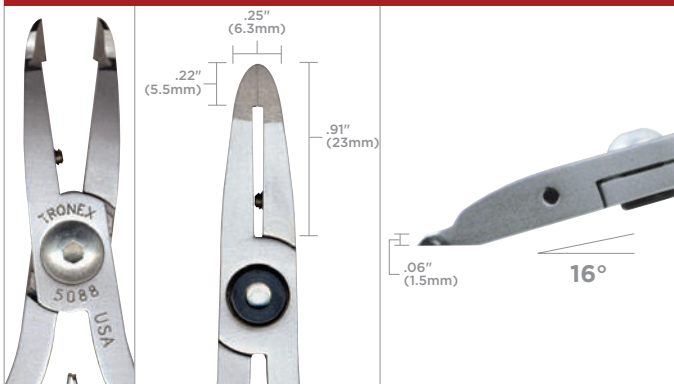
STANDARD HANDLE	LONG HANDLE	CUTTING EDGE	CUTTING CAPACITY (SOFT COPPER WIRE)
5070	7070	RAZOR FLUSH®	.004"-.031" 0.1mm-0.8mm 38-20 AWG
Most popular tip cutter. Jaw is twice as long as jaw of standard cutters. Jaw is slim with a low, relieved profile. Razor Flush® cutting edges.			
OAL SHORT HANDLE: 5.1" (129mm) LONG ERGONOMIC HANDLE: 6.1" (154mm)			

SUB-MINIATURE TIP CUTTER



STANDARD HANDLE	LONG HANDLE	CUTTING EDGE	CUTTING CAPACITY (SOFT COPPER WIRE)
5071	7071	RAZOR FLUSH®	.002"-.016" 0.05mm-0.4mm 40-26 AWG
SMT cutter. Extraordinarily small, fine cutting edges & fine tip. Often used under a microscope. Removes individual leads from fine pitch components. Razor Flush® cutting edges.			
OAL SHORT HANDLE: 4.7" (120mm) LONG ERGONOMIC HANDLE: 5.7" (145mm)			

RUGGED LONG JAW TIP CUTTER



STANDARD HANDLE	LONG HANDLE	CUTTING EDGE	CUTTING CAPACITY (SOFT COPPER WIRE)
5088	7088	RAZOR FLUSH®	.005"-.039" 0.13mm-1.2mm 36-18 AWG
Same as the 70 model except wider jaw and wider tip for extra durability and greater cutting capacity. Razor Flush® cutting edges.			
OAL SHORT HANDLE: 5.1" (129mm) LONG ERGONOMIC HANDLE: 6.1" (154mm)			

Tip cutters are cutting tools with long, narrow jaws that have small, exceptionally sharp edges for cutting at the very tip. All Tronex tip cutters have long jaws for extended reach, feature Razor Flush® cutting edges and a set screw to prevent damage to the blades. Some Tronex tip cutters have lower profiles or have ultra fine cutting tips.

ANGULATED CUTTERS

CUTTING EDGES AT AN ANGLE TO THE BOARD

Most precision hand cutting tools have cutting edges at a 15 to 20 degree angle so that there is clearance for the operator's fingers on the handles. However, a much greater angle may be preferred when access to the object being cut is very limited or when the work area is very crowded. Tronex offers angulated cutters at different angles and with different cutting edge sizes to meet a wide variety of needs.

LARGE 50° POINTED CUTTER

STANDARD HANDLE	LONG ERGONOMIC HANDLE	CUTTING EDGE	CUTTING CAPACITY (SOFT COPPER WIRE)
5004	7004	FLUSH	.008\"-.031\" 0.2mm-0.8mm 32-20 AWG
Large cutting edge with pointed tip. Short jaw for enhanced control.			
OAL SHORT HANDLE: 4.7\" (119mm) LONG ERGONOMIC HANDLE: 5.7\" (144mm)			

LARGE 50° CUTTER

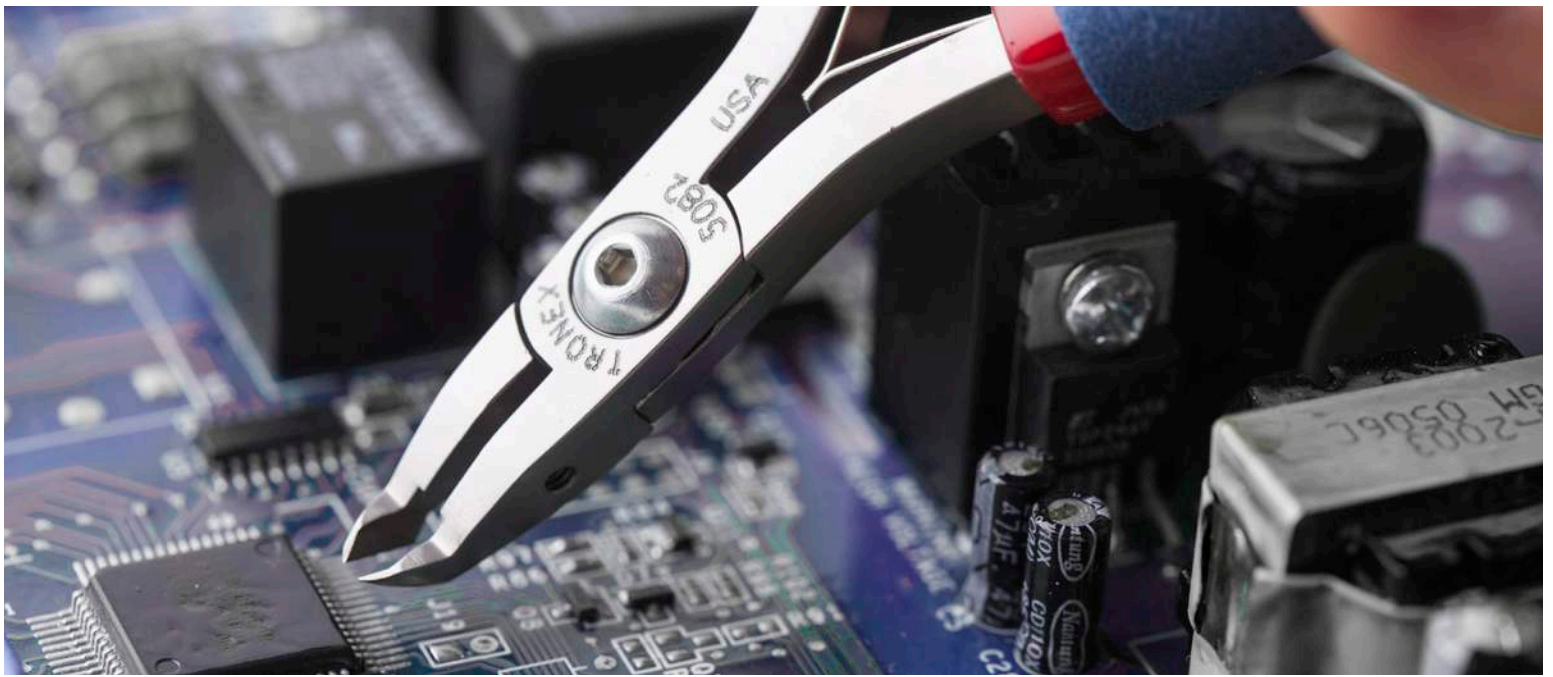
STANDARD HANDLE	LONG ERGONOMIC HANDLE	CUTTING EDGE	CUTTING CAPACITY (SOFT COPPER WIRE)
5072	7072	FLUSH	.008\"-.039\" 0.2mm-1mm 32-18 AWG
Largest cutting head. Robust. Excellent in cutting several leads in a single cut. Relieved for enhanced visibility.			
OAL SHORT HANDLE: 4.8\" (123mm) LONG ERGONOMIC HANDLE: 5.8\" (148mm)			

MINIATURE 90° CUTTER

STANDARD HANDLE	LONG ERGONOMIC HANDLE	CUTTING EDGE	CUTTING CAPACITY (SOFT COPPER WIRE)
5074	7074	FLUSH	.008\"-.025\" 0.2mm-0.65mm 32-22 AWG
Long, very narrow jaw with miniature opposing cutting edges at end permit cutting in highly confined areas.			
OAL SHORT HANDLE: 4.9\" (124mm) LONG ERGONOMIC HANDLE: 5.9\" (149mm)			

MINIATURE 50° CUTTER

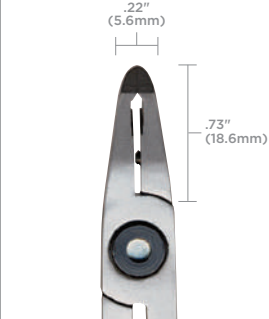
STANDARD HANDLE	LONG ERGONOMIC HANDLE	CUTTING EDGE	CUTTING CAPACITY (SOFT COPPER WIRE)
5075	7075	FLUSH	.004\"-.025\" 0.1mm-0.65mm 38-22 AWG
An SMT cutter with a very small cutting head. Used for exceptionally fine cutting. Relieved for maximum accessibility.			
OAL SHORT HANDLE: 4.9\" (124mm) LONG ERGONOMIC HANDLE: 5.9\" (149mm)			




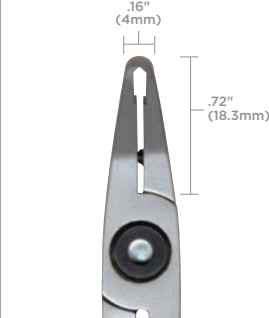

SMALL 50° POINTED CUTTER

	 <p>.22" (5.6mm) .73" (18.5mm)</p>	 <p>.22" (5.6mm) 50°</p>	STANDARD HANDLE	LONG ERGONOMIC HANDLE	CUTTING EDGE	CUTTING CAPACITY (SOFT COPPER WIRE)
			5080	7080	FLUSH	.008"-.030" 0.1mm-0.8mm 32-20 AWG
<p>New angulated cutter with a very pointed tip which allows for maximum accessibility into confined areas.</p>						
<p>OAL SHORT HANDLE: 4.9" (124mm) LONG ERGONOMIC HANDLE: 5.9" (149mm)</p>						

SMALL 50° CUTTER

	 <p>.22" (5.6mm) .73" (18.6mm)</p>	 <p>.22" (5.6mm) 50°</p>	STANDARD HANDLE	LONG ERGONOMIC HANDLE	CUTTING EDGE	CUTTING CAPACITY (SOFT COPPER WIRE)
			5082	7082	FLUSH	.008"-.030" 0.1mm-0.8mm 32-20 AWG
<p>Most popular angulated cutter. Small cutting head with relief for excellent visibility. Durability combined with fine cutting.</p>						
<p>OAL SHORT HANDLE: 4.9" (124mm) LONG ERGONOMIC HANDLE: 5.9" (149mm)</p>						

SMALL 70° CUTTER

	 <p>.16" (4mm) .72" (18.3mm)</p>	 <p>.17" (4.4mm) 70°</p>	STANDARD HANDLE	LONG ERGONOMIC HANDLE	CUTTING EDGE	CUTTING CAPACITY (SOFT COPPER WIRE)
			5083	7083	FLUSH	.008"-.025" 0.2mm-0.65mm 32-22 AWG
<p>An SMT cutter. Steep 70° angle with a very fine cutting head allows special access.</p>						
<p>OAL SHORT HANDLE: 4.9" (124mm) LONG ERGONOMIC HANDLE: 5.9" (149mm)</p>						

FINE HARD W

CLASS W & T CUTTERS

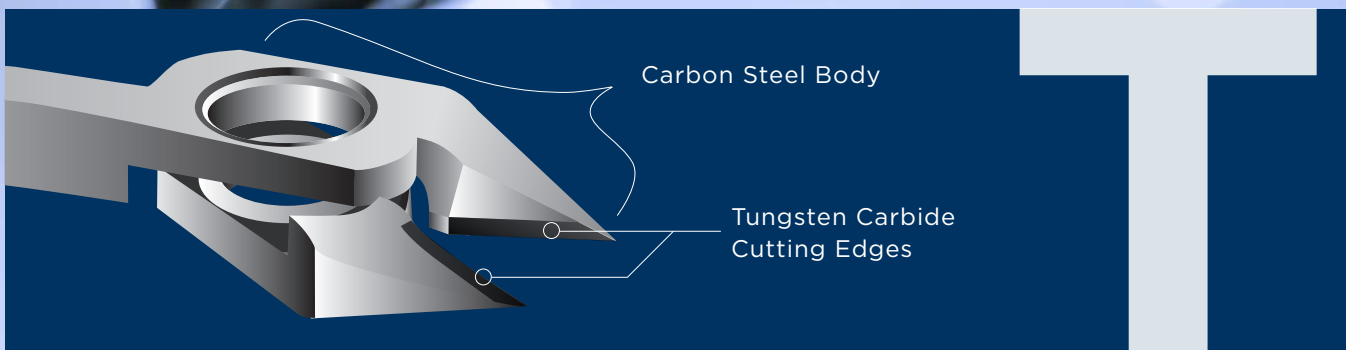
MEDICAL DEVICE MANUFACTURING

Tronex hard wire cutters are designed specifically for cutting very fine hard wire typically used in medical device manufacturing. These specialty cutters are often used under a microscope and cut very fine hard wire including Nitinol, stainless steel, Elgiloy and Tungsten. These cutters are ideal for cutting stents, catheters and braided mesh used in medical device manufacturing.

WIRE CUTTERS



- Made entirely from a super tungsten alloy containing tungsten, cobalt, vanadium, and chromium.
- Machined and formed at the Tronex factory to high dimensional tolerances, exceptionally sharp cutting edges, and featuring Tronex's unique joint design.
- Vacuum furnace-hardened and tempered to achieve a cutting edge hardness of **66 to 68 HRC**. Cutters made from carbon steel have a maximum cutting edge hardness of 62 to 63 HRC.
- Cutter heads and tips are smaller and narrower than tips on Tronex Class T cutters. Therefore Class W cutters are effective in cutting in confined areas and into coils. Class W cutters are often employed to cut medical wire under a microscope.
- Particularly fine grained cutting edges allow cutting of very thin wire with diameter of less than .005" (0.1mm). Class W cutters cut slightly more flush than Class T cutters
- Set screw stops (pre-set at the factory) prevent overlapping, help decrease shock from the cutting force, and reduce dulling.



- Body of the tool made of hardened carbon steel.
- Cutting edges are of tungsten carbide material silver brazed into the jaw of the carbon steel body.
- Diamond grinding at the Tronex factory forms the head shape and sharpens the cutting edges to high dimensional tolerances. All Class T cutters feature the unique Tronex joint design.
- Grade of Tungsten carbide optimizes toughness and hardness. Cutting edge hardness is in the range of **79 to 81 HRC**.
- Dual material design allows for higher cutting capacities than for Class W cutters. Cuts hard wire to a diameter of .025" (.65mm).
- Class T cutters have harder cutting edges than Class W cutters. Therefore Class T cutters can cut harder wire than Class W cutters. For example Class T cutters can cut fine tungsten wire, Class W cannot cut fine tungsten wire.
- Dual material design of Class T cutters makes these tools tougher and less fragile than Class W cutters. Class W cutters are likely to fracture if dropped on a concrete floor.
- Set screw stops (pre-set at the factory) prevent overlapping, help decrease shock from the cutting force, and reduce dulling.

CLASS W CUTTERS

MADE ENTIRELY FROM TUNGSTEN ALLOY STEEL

W 50° WIDE HEAD CUTTER



STANDARD HANDLE	CUTTING EDGE	CUTTING CAPACITY (STEEL WIRE)
5081W	FLUSH	.003"-.007" 0.08mm-0.18mm 39-33 AWG
OAL SHORT HANDLE: 4.6" (117mm)		

W 50° THIN HEAD CUTTER



Tips slightly rounded.

STANDARD HANDLE	CUTTING EDGE	CUTTING CAPACITY (STEEL WIRE)
5084W	FLUSH	.003"-.007" 0.08mm-0.18mm 39-33 AWG
OAL SHORT HANDLE: 4.9" (123mm)		

W MINIATURE OVAL HEAD CUTTER



STANDARD HANDLE	CUTTING EDGE	CUTTING CAPACITY (STEEL WIRE)
5312W	FLUSH	.003"-.010" 0.08mm-0.25mm 39-30 AWG
OAL SHORT HANDLE: 4.5" (116mm)		

W MINIATURE TAPER RELIEF HEAD CUTTER



STANDARD HANDLE	CUTTING EDGE	CUTTING CAPACITY (STEEL WIRE)
5422W	FLUSH	.003"-.010" 0.08mm-0.25mm 39-30 AWG
OAL SHORT HANDLE: 4.6" (117mm)		

CLASS T CUTTERS

MADE WITH TUNGSTEN CARBIDE INSERTS BRAZED INTO THE CUTTING EDGES

50° HEAD CUTTER

			STANDARD HANDLE	CUTTING EDGE	CUTTING CAPACITY (STEEL WIRE)
			5085T	FLUSH	.005\"-.020\" 0.13mm-0.51mm 32-24 AWG
OAL			SHORT HANDLE: 4.9\" (123mm)		

OVAL HEAD CUTTER

			STANDARD HANDLE	CUTTING EDGE	CUTTING CAPACITY (STEEL WIRE)
			5112T	FLUSH	.008\"-.025\" 0.2mm-0.65mm 32-22 AWG
OAL			SHORT HANDLE: 4.6\" (118mm)		

TAPER HEAD CUTTER

			STANDARD HANDLE	CUTTING EDGE	CUTTING CAPACITY (STEEL WIRE)
			5212T	FLUSH	.008\"-.020\" 0.2mm-0.51mm 32-24 AWG
OAL			SHORT HANDLE: 4.6\" (118mm)		

COMPOUND CUTTER

			STANDARD HANDLE	CUTTING EDGE	CUTTING CAPACITY (STEEL WIRE)
			7011T	FLUSH	.012\"-.032\" 0.32mm-0.81mm 28-20 AWG
OAL			LONG ERGONOMIC HANDLE: 6.3\" (159mm)		

TRONEX

HIGH LEVEL P



K PLIERS

PERFORMANCE

PRECISION PLIERS

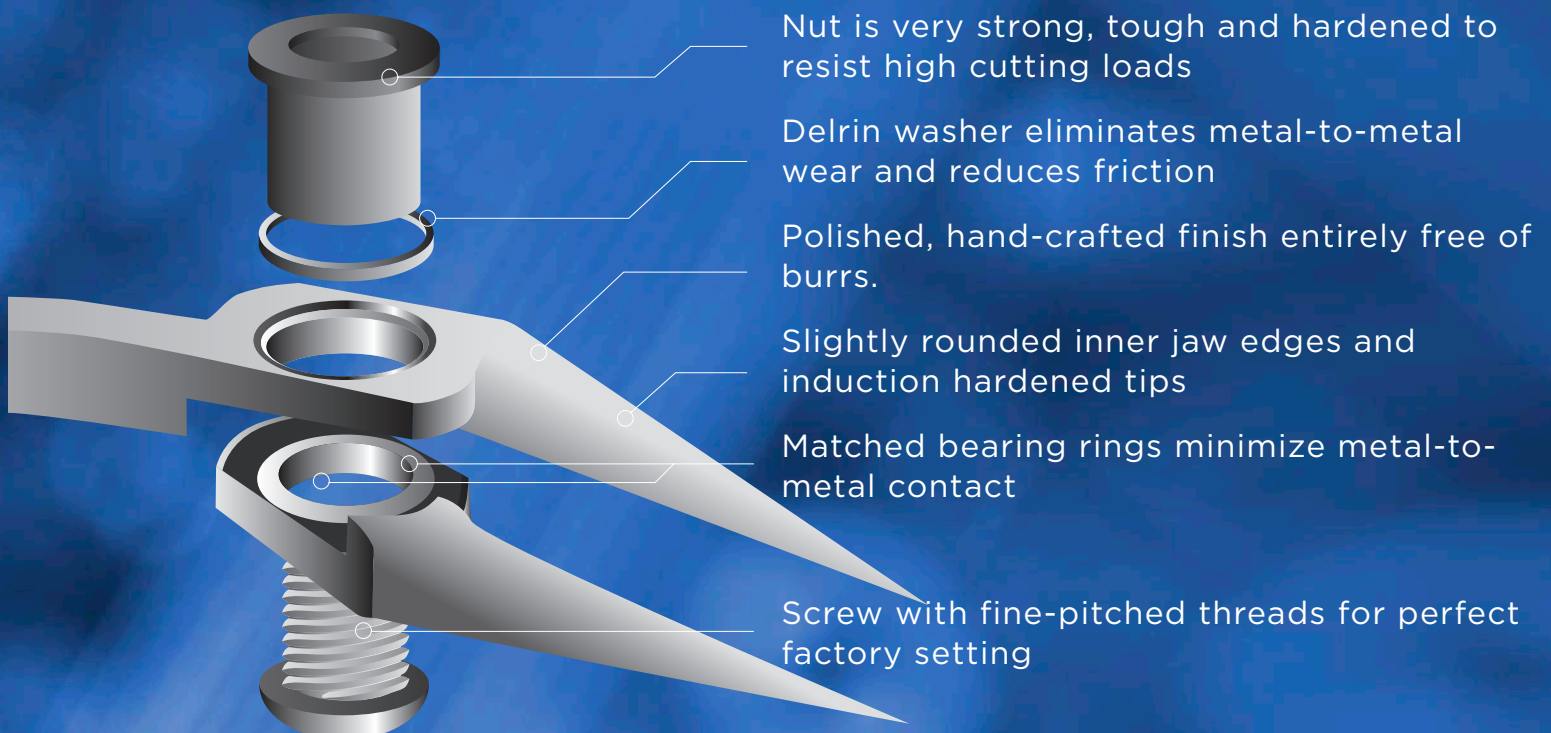
Tronex precision pliers are 100% made in the USA with US sourced carbon steel. Our pliers are precision pliers – just like our cutters, and are designed for a high level of performance and comfort.

Tronex pliers offer some unique characteristics including:

- ESD Safe cushion grips with stainless steel leaf springs
- Most offer a choice of standard handle length or long, ergonomic handle length
- Polished, hand-crafted finish; entirely free of burrs
- Special design elements such as slightly rounded inner jaw edges and induction hardened tips

A UNIQUE JOINT

Tronex pliers feature an innovative bearing ring lap joint design for smooth function, strength and durability. Most pliers on the market have only a lap joint or rivet joint. Tronex pliers will function better, feel more comfortable and last longer than other pliers. This is one of the reasons why Tronex pliers are considered the best performing precision pliers in the world.



CHAIN NOSE PLIERS

CHAIN NOSE LONG, SMOOTH JAW PLIERS

	<p>Slightly rounded inner edges</p> <p>Smooth Jaw</p>	STANDARD HANDLE	LONG ERGONOMIC HANDLE	
		Smooth Tips	511	711
		Serrated Tips	511S	711S
<p>Serrated Tips</p>		<p>Ultra fine tips pliers for working with extremely fine electronics applications and reaching into confined spaces. Can grip fine leads without marring them. A comfortable alternative to tweezers for certain applications.</p>		
<p>.05" (1.2mm)</p> <p>.06" (1.5mm)</p>		<p>OAL SHORT HANDLE: 5.5" (138mm) LONG ERGONOMIC HANDLE: 6.5" (164mm)</p>		

CHAIN NOSE SHORT JAW PLIERS

	<p>Slightly rounded inner edges</p> <p>Smooth Jaw</p>	STANDARD HANDLE	LONG ERGONOMIC HANDLE	
		Smooth Tips	513	713
		Serrated Tips	513S	713S
<p>Serrated Tips</p>		<p>The short jaw provides increased stiffness at the tips to resist deformation when working with heavier gauge wire. Induction hardened tips (60 HRC).</p>		
<p>.05" (1.2mm)</p> <p>.06" (1.5mm)</p>		<p>OAL SHORT HANDLE: 4.9" (124mm) LONG ERGONOMIC HANDLE: 5.9" (150mm)</p>		

CHAIN NOSE FINE TIPS PLIERS

	<p>Slightly rounded inner edges</p> <p>Smooth Jaw</p>	STANDARD HANDLE	
		Smooth Tips	515
		<p>Ultra fine tips for working with extremely fine electronics applications. Induction hardened tips (60 HRC).</p>	
<p>.04" (1.0mm)</p> <p>.03" (.7mm)</p>		<p>OAL SHORT HANDLE: 5.4" (137mm)</p>	

NEEDLE NOSE PLIERS

NEEDLE NOSE LONG SMOOTH JAW PLIERS

	<p>Slightly rounded inner edges</p> <p>Smooth Jaw</p>	STANDARD HANDLE	LONG ERGONOMIC HANDLE	
		Smooth Tips	521	721
		Serrated Tips	521S	721S
<p>Serrated Tips</p>		<p>Needle nose pliers are used primarily in fine electronics work. It has jaws that are machined in thin half cones. This thin profile increases tool access. The cone shape can be used for precision loop forming of leads or wire.</p>		
<p>.04" (1.0mm)</p> <p>.05" (1.2mm)</p>		<p>OAL SHORT HANDLE: 5.4" (136mm) LONG ERGONOMIC HANDLE: 6.4" (162mm)</p>		

NEEDLE NOSE SHORT JAW PLIERS

	STANDARD HANDLE	LONG ERGONOMIC HANDLE	
	Smooth Tips	523	723
	Same as our needle nose pliers, but shorter tips. Induction hardened tips (60 HRC).		
OAL	SHORT HANDLE: 4.9" (125mm) LONG ERGONOMIC HANDLE: 5.9" (150mm)		

NEEDLE NOSE EXTRA LONG JAW PLIERS

	STANDARD HANDLE	LONG ERGONOMIC HANDLE	
	Smooth Tips	524	724
	Extra long tips for access into hard to reach spots. .37" longer than our standard needle nose pliers. Originally designed for electronics use.		
OAL	SHORT HANDLE: 5.8" (147mm) LONG ERGONOMIC HANDLE: 6.8" (172mm)		

ROUND NOSE PLIERS

ROUND NOSE LONG JAW PLIERS


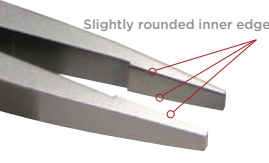
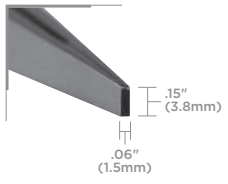
	STANDARD HANDLE	LONG ERGONOMIC HANDLE	
		531	731
	Round nose pliers are used in electronics and in jewelry making, primarily for making loops. Long Jaws allow for broader range of loop diameters.		
OAL	SHORT HANDLE: 5.4" (137mm) LONG ERGONOMIC HANDLE: 6.4" (163mm)		

ROUND NOSE SHORT JAW PLIERS


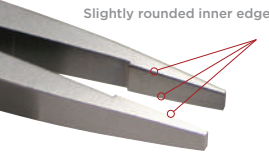
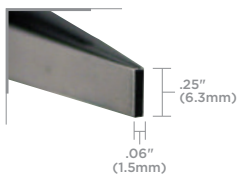
	STANDARD HANDLE	LONG ERGONOMIC HANDLE	
		532	732
	Round nose pliers are used in electronics and in jewelry making, primarily for making loops. Long Jaws allow for broader range of loop diameters. Induction hardened tips (60 HRC).		
OAL	SHORT HANDLE: 4.9" (125mm) LONG ERGONOMIC HANDLE: 5.9" (151mm)		

FLAT NOSE PLIERS


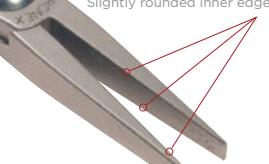
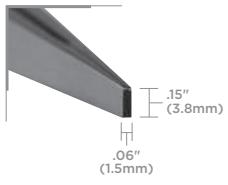
FLAT NOSE LONG JAW STEP TIP PLIERS

	 <p>Slightly rounded inner edges</p> <p>Smooth Jaw</p>	STANDARD HANDLE	LONG ERGONOMIC HANDLE	
		Smooth Tips	541	741
		Serrated Tips	541S	741S
<p>Flat nose pliers are used for gripping and bending wire. 541S/741S are the same as Tronex 541/741 pliers, but are serrated at the tips for more gripping control.</p>				
		<p>OAL SHORT HANDLE: 5.4" (137mm) LONG ERGONOMIC HANDLE: 6.4" (162mm)</p>		

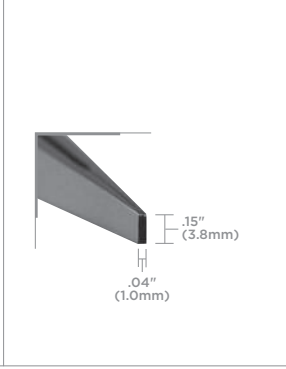
FLAT NOSE WIDE STEP TIP PLIERS

	 <p>Slightly rounded inner edges</p> <p>Smooth Jaw</p>	STANDARD HANDLE	LONG ERGONOMIC HANDLE	
		Smooth Tips	542	742
		Serrated Tips	542S	742S
<p>Very similar to Tronex 541/741 pliers, these pliers have slightly wider tips. See tips close up for exact measurements. *Serrated tips</p>				
		<p>OAL SHORT HANDLE: 5.4" (137mm) LONG ERGONOMIC HANDLE: 6.4" (162mm)</p>		

FLAT NOSE LONG JAW NO STEP PLIERS

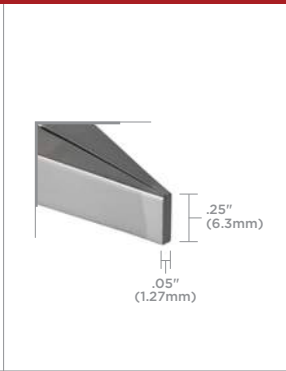
	 <p>Slightly rounded inner edges</p> <p>Smooth Jaw</p>	STANDARD HANDLE	LONG ERGONOMIC HANDLE	
		Smooth Tips	543	743
		<p>These pliers have a long, smooth jaw without the step at the tip. They also offer extended reaching capability with a long, thin nose.</p>		
		<p>OAL SHORT HANDLE: 5.4" (137mm) LONG ERGONOMIC HANDLE: 6.4" (162mm)</p>		

FLAT NOSE SHORT JAW PLIERS



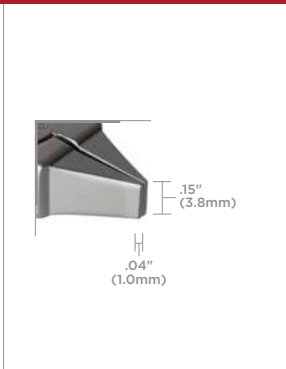
	STANDARD HANDLE	LONG ERGONOMIC HANDLE
Smooth Tips	544	744
Serrated Tips	544S	744S
These very popular pliers offer exceptional leverage with shorter blades. Tips have been heat treated for exceptional hardness (60 HRC). *Serrated tips		
OAL	SHORT HANDLE: 5" (126mm) LONG ERGONOMIC HANDLE: 6" (151mm)	

FLAT NOSE WIDE TIP SHORT JAW PLIERS



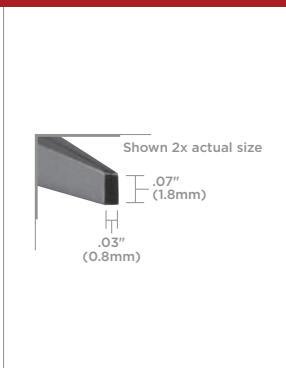
	STANDARD HANDLE	LONG ERGONOMIC HANDLE
Smooth Tips	545	745
Same as 544/744 pliers, but slightly wider tips. Induction hardened tips (60 HRC).		
OAL	SHORT HANDLE: 5" (126mm) LONG ERGONOMIC HANDLE: 6" (151mm)	

FLAT NOSE STUBBY JAW PLIERS



	STANDARD HANDLE	LONG ERGONOMIC HANDLE
Smooth Tips	547	747
Same as 544/744 pliers, but slightly wider tips. Induction hardened tips (60 HRC).		
OAL	SHORT HANDLE: 4.6" (116.8mm) LONG ERGONOMIC HANDLE: 5.6" (142.2mm)	

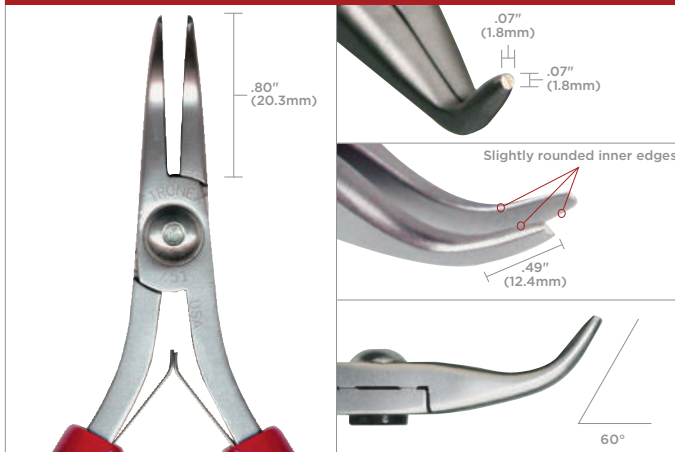
FLAT NOSE SHORT JAW NARROW TIPS PLIERS



	STANDARD HANDLE	LONG ERGONOMIC HANDLE
Smooth Tips	548	748
These pliers taper at the tips for increased ability to get into small spots and for finer work. Induction hardened tips (60 HRC).		
OAL	SHORT HANDLE: 5.2" (131mm) LONG ERGONOMIC HANDLE: 6.2" (157mm)	

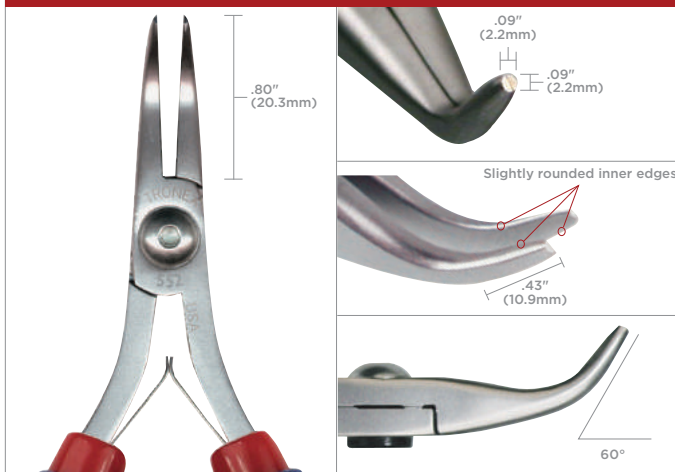
BENT NOSE PLIERS

BENT NOSE FINE TIPS PLIERS



	STANDARD HANDLE	LONG ERGONOMIC HANDLE
Smooth Tips	551	751
Serrated Tips	551S	751S
<p>Bent nose pliers are used in electronics where they are often used in place of tweezers. Fine tips on Tronex bent nose pliers provide exceptional access. Bent nose pliers are also used in jewelry making.</p>		
OAL	SHORT HANDLE: 5" (126mm) LONG ERGONOMIC HANDLE: 6" (151mm)	

BENT NOSE STURDY TIPS PLIERS



	STANDARD HANDLE	LONG ERGONOMIC HANDLE
Smooth Tips	552	752
<p>These bent nose pliers offer the same popular shape as our other bent nose pliers but with heftier, sturdier tips. These tips allow for usage with heavier gauge wire but still allow for exceptional access to confined spaces. Induction hardened tip (60 HRC)</p>		
OAL	SHORT HANDLE: 5" (126mm) LONG ERGONOMIC HANDLE: 6" (153mm)	

BENT NOSE 45 DEGREE VERY FINE TIPS PLIERS



	STANDARD HANDLE	LONG ERGONOMIC HANDLE
Smooth Tips	555	755
<p>These bent nose pliers have a 45 degree angle rather than our standard 60 degree angle bent nose pliers. This tool also has finer tips than our other bent nose pliers. It is designed for working with fine wire and getting into very tight areas. Induction hardened tips (60 HRC).</p>		
OAL	SHORT HANDLE: 4.9" (124mm) LONG ERGONOMIC HANDLE: 5.9" (150mm)	

BENT-ROUND NOSE VERY FINE TIP LONG JAW PLIERS



	STANDARD HANDLE	LONG ERGONOMIC HANDLE
Smooth Tips	556	756
<p>These specialty bent round nose pliers are for bending, shaping and gripping wire.</p>		
OAL	SHORT HANDLE: 5" (128mm) LONG ERGONOMIC HANDLE: 6" (151mm)	

INDEX MODEL BY NUMBER

MODEL #	PAGE	MODEL #	PAGE	MODEL #	PAGE	MODEL #	PAGE
511	26	745	29	5312	12	7088	17
511S	26	747	29	5312W	22	7111	12
513	26	748	29	5313	12	7112	12
513S	26	751	30	5411	14	7113	12
515	26	751S	30	5412	14	7121	12
521	26	752	30	5413	14	7122	12
521S	26	755	30	5421	14	7123	12
523	27	756	30	5422	14	7211	14
524	27	5004	18	5422W	22	7212	14
531	27	5030	15	5423	14	7213	14
532	27	5031	15	5511	12	7221	14
541	28	5048	16	5511A	12	7222	14
541S	28	5049	16	5512	12	7223	14
542	28	5070	17	5513	12	7311	12
542S	28	5071	17	5521	12	7312	12
543	28	5072	18	5522	12	7313	12
544	29	5074	18	5523	12	7411	14
544S	29	5075	18	5611	13	7412	14
545	29	5080	19	5611A	13	7413	14
547	29	5081W	22	5612	13	7421	14
548	29	5082	19	5613	13	7422	14
551	30	5083	19	5711	14	7423	14
551S	30	5084W	22	5712	14	7511	12
552	30	5085T	23	5713	14	7511A	12
555	30	5088	17	5721	14	7512	12
556	30	5111	12	5722	14	7513	12
711	26	5112	12	5723	14	7521	12
711S	26	5112T	23	5811	13	7522	12
713	26	5113	12	5812	13	7523	12
713S	26	5121	12	7004	18	7711	14
721	26	5122	12	7030	15	7712	14
721S	26	5123	12	7031	15	7713	14
723	27	5211	14	7049	16	7721	14
724	27	5212	14	7070	17	7722	14
731	27	5212T	23	7071	17	7723	14
732	27	5213	14	7072	18	7811	13
741	28	5221	14	7074	18	7812	13
741S	28	5222	14	7075	18	7011T	23
742	28	5223	14	7080	19		
743	28	5311	12	7082	19		
744	29	5311W	22	7083	19		

TWEEZERS



Precision • Economy
Titanium • ESD Safe Coated
Cutting Tweezers • SMD Tweezers
Reverse-Acting • Colored Tweezers • Kits
Fine Tips • Vomm and Tronex Brand • SA Tweezers
Non-Marring Tweezers • Replaceable Tips Tweezers



TRONEX TECHNOLOGY, INC.
2860 Cordelia Rd, Suite 230
Fairfield, CA 94534 USA
PHN: 707.426.2550
FAX: 707.426.6462
www.tronextools.com

Distributed by: