



# ULTF 420

## SUPERIOR PERFORMANCE AND HIGHLY RELIABLE ULT

**CHEST FREEZER.** Optimized internal storage capacity with stainless steel racks. Offers a lot of great controller features with the user-friendly controller in 4,3" display screen.



SINGLE  
COMPRESSOR  
SYSTEM



FILTERLESS  
CONSTRUCTION



REDUCED  
NOISE LEVEL

### CONTROLLER FEATURES

Arctiko's ULTF series comes with the 4,3" G214 controller which combines security, monitoring & data logging functions.

This range allows data logging for up to 30 years, multiple alarms and much more customizability ensuring that the functionality of the chest models have the same features as the upright units in the same temperature range.

### SUPERIOR COOLING PERFORMANCE

Reaching -80°C in only 190 minutes due to our our single compressor technology. The technology is specially designed to be the best in class in cooling performance.

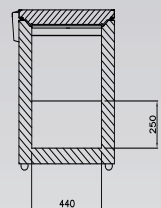
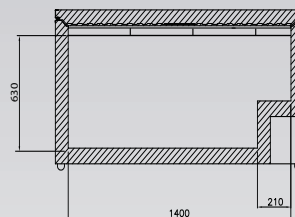
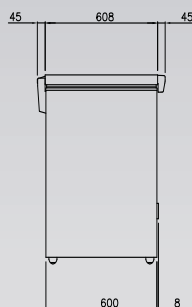
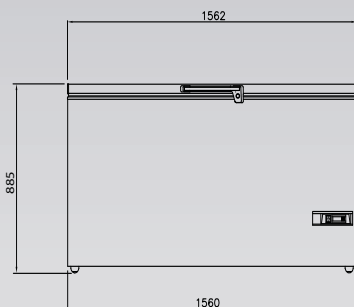
With the ULTF freezer you are secured superior temperature stability and great temperature uniformity even after door openings. It also helps provide a stable cooling performance while lowering the energy consumption.

### OPTIMIZED STORAGE CAPACITY

The freezer has optimized internal storage for the best overlook and accessibility of stored content. With our stainless steel front rack storage system the samples will be easy accessible at any time.

The ULTF freezer also has a premade access port with no extra cost involved, making it easier to monitor or inspect the unit with external probes.

## MAIN DIMENSION FOR ULUF ULTF 420





User friendly G214 controller standard in ULTF range. Includes different alarms as; visual, acoustic, open door and more.



Lock on handle for optimal security of the valued samples. Comes as a standard feature.



Optimal storage capacity and overview of the stored samples with the stainless steel front rack storage system

#### OPTIONAL ACCESSORIES

- Modbus adapter for G214 controller
- Temperature chart recorder
- Rollers on metal frame
- CO2 back-up system
- GSM alarm module
- Voltage converter
- Voltage stabilizer
- Racks & boxes
- Cryo gloves

#### MAIN SPECIFICATIONS

Item code	DAI 0210
Temperature range (°C)	-40 / -86
Max. ambient temperature (°C)	20
Capacity (L)	368
Exterior dimensions WxDxH (mm)	1562x691x890
Interior dimensions WxDxH (mm)	1400x440x630
Weight (KG)	88
Insulation (mm)	80
Cooling technology	single system / static
Controller model / probe type	G214 / PT1000

#### POWER

Power supply (V)	230
Frequency (Hz)	50/60
Power consumption (kWh/24H)	8,5
AMP (A)	2,6
Power (Watt)	490
Horse power (HP)	3/4

#### ALARM FUNCTIONS

Alarm display as text - not codes	yes
Visual / acoustic alarm	yes / yes
Power failure alarm	yes
Adjustable high / low temperature alarm	yes / yes
Open door alarm	yes
Probe failure alarm	yes
Low battery alarm	yes
Compressor failure alarm	yes
Battery backup for alarms (approx. hrs.)	72

#### DATA LOGGING & EXTERNAL CONNECTION

Voltage free contact for remote alarm (e.g. GSM module)	yes
Electronic data logger	yes
RS 485 port	yes
USB port for software update & data download	yes
Temperature chart recorder	optional

#### DISPLAY FEATURES

Display type	4,3" with touch buttons
Number of optional reference probes	2
Password protection for turning unit on / off	yes
Temperature graph on display	yes

#### OTHER FEATURES

Automatic defrost	no
Antifreeze function	no
Vacuum release port	no
Access port for external probe etc. (int. diameter mm)	12
Light	no
Lock with key	yes
Castors (total pcs) / castors with brake (pcs)	4 / optional
Fixed feet (pcs) / levelling feet (pcs)	no
Sub lids or inner doors (pcs)	4
Reversible door(s)	no
Total capacity of 50 mm boxes 9x9 dividers (pcs)	282
Total capacity of 75 mm boxes 9x9 dividers (pcs)	180
Total capacity of 96 mm boxes 9x9 dividers (pcs)	129

#### REFRIGERATION & CABINET

Number of compressors	1
Refrigerant	Nature R
Interior cabinet material	painted steel
Exterior cabinet material	painted steel
Colour (exterior cabinet)	white
Foam type	polyurethane
VIP vacuum insulated panels	no

#### SHIPPING

Shipping weight (KG)	132
Shipping dimensions WxDxH (cm)	166x76x106
Shipping volume (m <sup>3</sup> )	1,34