

# Blade Pivot Drain

## SPECIFICATION SHEET

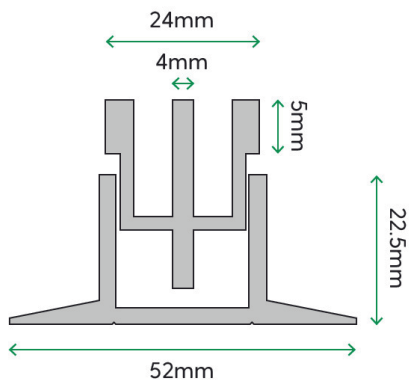
Version 1



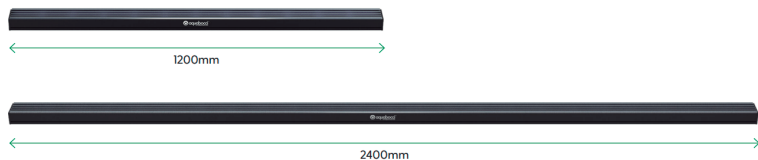
# Blade Pivot Drain

The Blade Pivot Drain has a modern and sleek design that fits into any project, large or small. The slimline profile is discreet and the 4 custom colours enable you to contrast or blend in with your design. The versatility of the Blade Pivot Drain is limitless, there isn't an application it can not fit into. The Aquabocci spigot can be located anywhere along the channel, making it the most versatile drainage system on the market

## Profile



## Lenghts



## Performance and finish

LOCATIONS	Wet rooms, balconies, swimming pools and courtyards
FLOW RATES	Please consult a drainage engineer
SLIP RATING	Optional Aquabocci WunderGrip (CSIRO R-13) / Non Slip finish available on all Aquabocci products
ANTI CORROSION	Guaranteed not to rust, corrode or tea stain around salt water or chlorine
HEELGUARD SAFE?	Yes
FUNCTION	Can be cut to any length
AQUABOCCI CUSTOM	4 colours available

## System fittings

Aquabocci accessories are as durable as our drainage systems themselves. Corner pieces, end caps and connectors have EPDM rubber seals which screw into place for fast and easy installation.

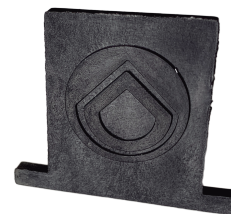
## PVC Connector Strips



## Corner



## End Cap



## Spigot

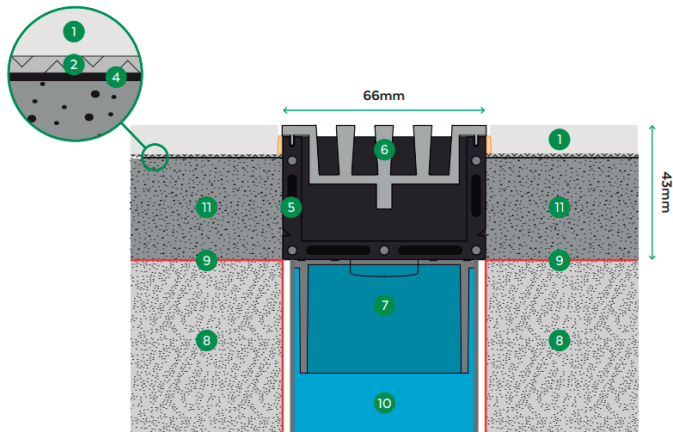


## Colours



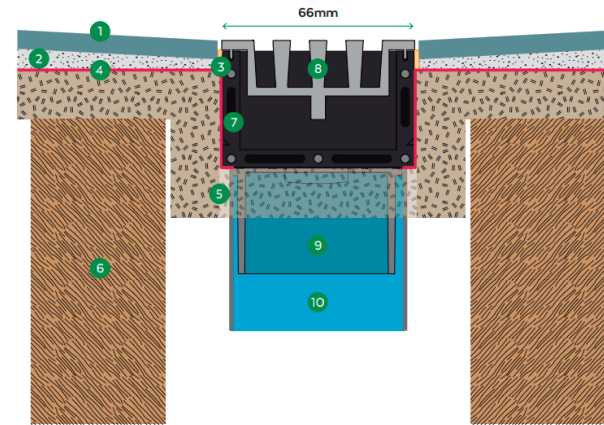
# Blade Pivot Drain INSTALLATION GUIDE

## Slab Installation



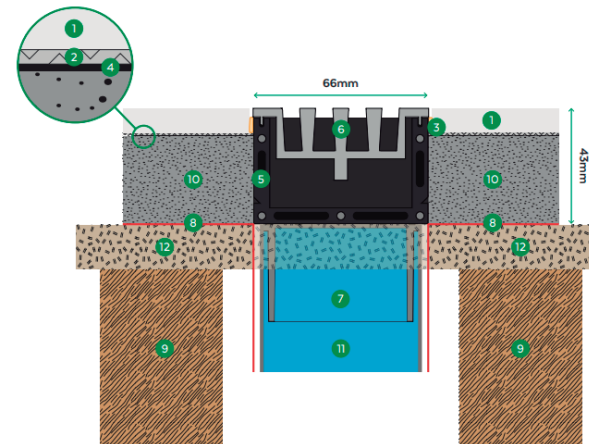
- 1 Tile
- 2 Tile adhesive
- 3 Silicon joint
- 4 Waterproof tape (Optional)
- 5 S66 extrusion channel
- 6 S66 removable grate
- 7 Spigot 50mm
- 8 Concrete slab or timber
- 9 Waterproof membrane
- 10 Pipe 50mm, 80mm or 100mm
- 11 Screed

## Timber Installation without Mortar Screed



- 1 Tile
- 2 C2 Tile adhesive
- 3 Silicon joint
- 4 Waterproof membrane
- 5 Plywood supports plastic channel
- 6 Timber joist
- 7 S66 extrusion channel
- 8 S66 removable grate
- 9 Spigot 50mm
- 10 Pipe 50mm, 80mm or 100mm

## Timber Installation with Mortar Screed



- 1 Tile
- 2 Tile adhesive
- 3 Silicon joint
- 4 Waterproof tape (Optional)
- 5 S66 extrusion channel
- 6 S66 removable grate
- 7 Spigot 50mm
- 8 Waterproof membrane
- 9 Timber joist
- 10 Screed
- 11 Pipe 50mm, 80mm or 100mm
- 12 Plywood Supports

