

## User Manual



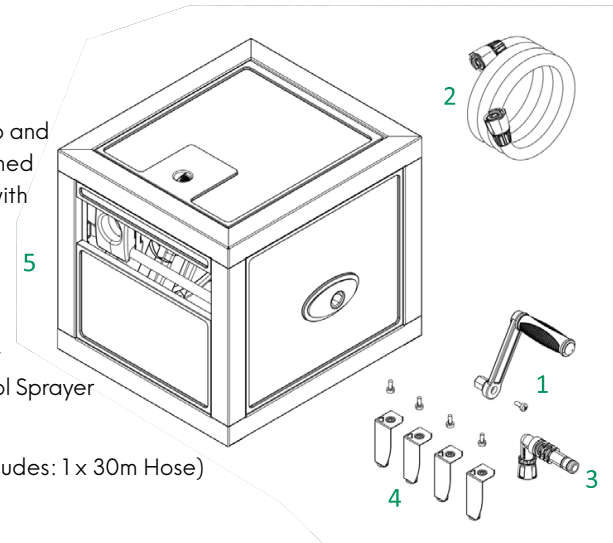
### KIT CONTENTS

- 1 1 x Crank Handle  
1 x Crank Screw
- 2 1 x Leader Hose with Tap and  
Hose Connectors attached
- 3 1 x Water Inlet System with  
Hoselink Connector
- 4 4x Legs  
4 x Leg screws
- 5 1 x Hose Reel Box  
1 x Accessory Connector  
1 x 8-Pattern Flow Control Sprayer  
1 x Hose Clamp

(ITEM 3561-CH also includes: 1 x 30m Hose)



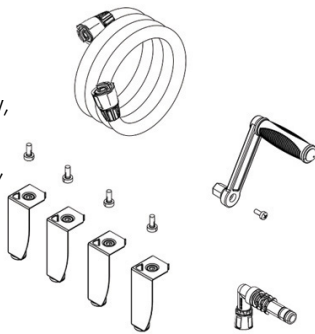
**Tools Required:**  
Phillips Head Screwdriver



### ASSEMBLY INSTRUCTIONS

#### STEP ONE:

Open Hose Reel Box cover and remove the parts box containing: crank with screw, leader hose, water inlet system, Hoselink Hose Fittings, legs and leg screws.

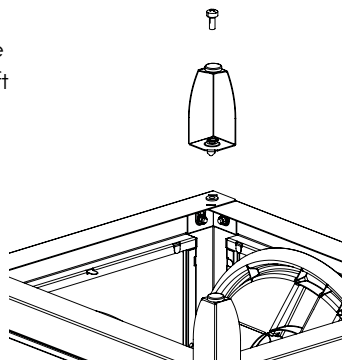


#### STEP TWO:



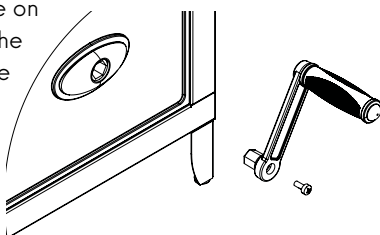
**CAUTION**  
Be careful not to scratch the unit during this step.

While holding the lid closed, rotate the Hose Reel Box upside down and place on a clean, soft working surface. With the open sides of the legs facing inward, attach a leg to each corner with the supplied screws. Return the Hose Reel Box to its normal standing position.



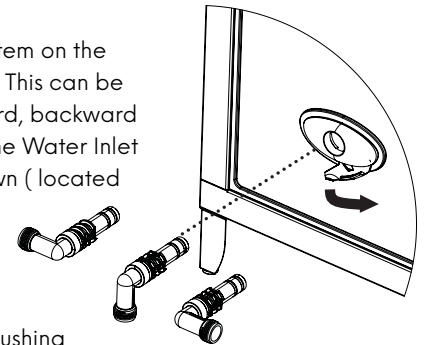
#### STEP THREE:

Install the Crank Handle on the right-hand side of the Hose Reel Box, using the supplied crank screw.



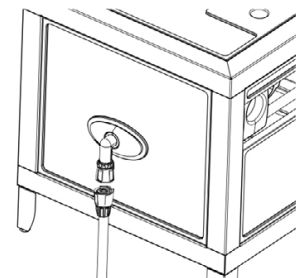
#### STEP FOUR:

Install the Water Inlet System on the left-hand side of the unit. This can be positioned to face forward, backward or downward. To install the Water Inlet System, pull the latch down (located on the underside of the water inlet on the side of the Hose Reel Box), insert inlet in the desired orientation and lock by pushing the latch back into place.



#### STEP FIVE:

If not already attached, screw on the included Universal Tap Connector with black reducer to the end of the water inlet. Connect the end of the Leader Hose to the Tap Connector. Ensure it is tight to prevent leaking.



#### STEP SIX

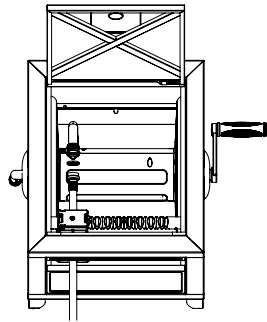
(for model 3561-CH, Metal Hose Reel Box with 30m Hose):

To pull the end of the hose through the hose guide you will need to undo the end fitting. First, unscrew the nut at the back of the fitting. Once undone, pull the flow control fitting off the hose and slide the hose through the hose guide. Push the Flow Control Fitting back onto the end of the hose and tighten the nut.

## HOSE INSTALLATION (IF INSTALLING YOUR OWN HOSE)

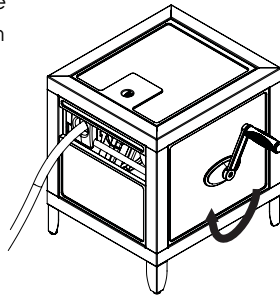
### STEP ONE:

Verify that the hose guide is lined up with the water outlet inside the Hose Reel Box. If necessary, rotate the crank handle until the hose guide is aligned with the water system outlet on the left side of the unit, as shown in the diagram.



### STEP TWO:

Uncoil the garden hose to be installed and insert through the hose guide. Place the included hose clamp over the end of the hose. Push the hose onto the water outlet stem inside the box and tighten the clamp.



### CAUTION

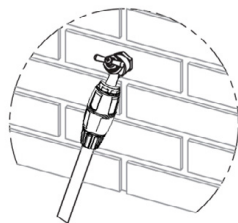
Do not over-tighten the hose clamp

### STEP THREE:

Close the cover and wind the hose into the box by turning the crank handle clockwise. Follow the supplied Hoselink Fitting Instructions to fit the supplied Hoselink Hose Connector to the end of the hose.

### STEP FOUR:

Screw the Hoselink Tap Connector onto the tap. Connect the end of the Leader Hose to the Tap Fitting.



## HOSE INSTALLATION

**Before rewinding the hose:** Turn water off at the tap and squeeze the trigger to release pressure from inside the hose. Turn the handle clockwise to reel the hose in.

If possible, the unit is best **stored in a shaded area.**

**Drain water** from the unit to prevent damage from freezing.

