

HOSELINK®

User Manual

MODEL: 3557-CH - 3558-CH
Metal Hose Reel Cart



User Manual

BEFORE YOU BEGIN

This product has been packaged to ensure it arrives in the best possible condition. Please be careful when unpacking. This kit contains parts that can be damaged if incorrectly assembled. Please follow instructions.

BOX CONTENTS



1 x Cart Assembly (base and drum)



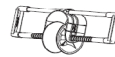
2 x Wheels



1 x Crank Handle



1 x Water System Inlet



1 x Hose Guide System



1 x Basket



1 x Grab Handle



4 x Self-tapping Screw **A** (for hose guide)



2 x Threaded Screw **B** (for drum frame)



1 x Hose Clamp (to attach the hose)



1 x Peg (to hold cart in place when in use)



1 x Comfort 8-Pattern Flow Control Sprayer



1 x Set of Hoselink Connectors



1 x 2m Leader Hose



Tools Required:
Phillips Head Screwdriver



Carefully remove all packaging and parts from the box.

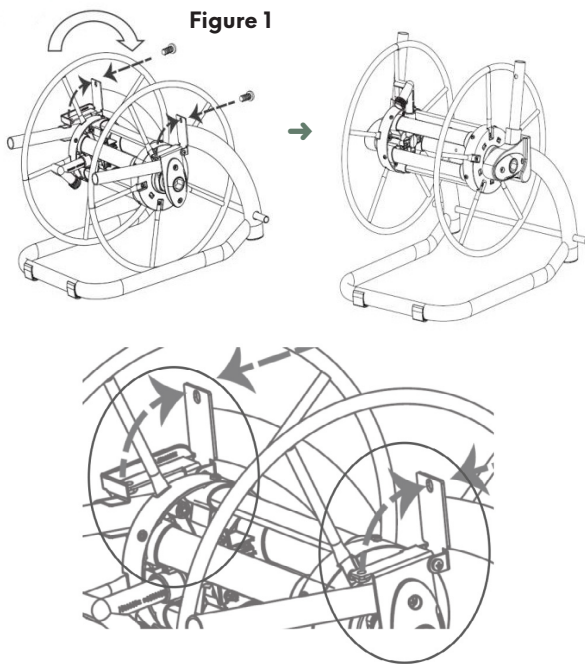
ASSEMBLE THE CART

STEP ONE:

- Lift the hose storage drum until the plates are aligned with the plates on the frame (see figure 1).
- Secure the hose storage drum in place with the **B** threaded screws provided.

CAUTION

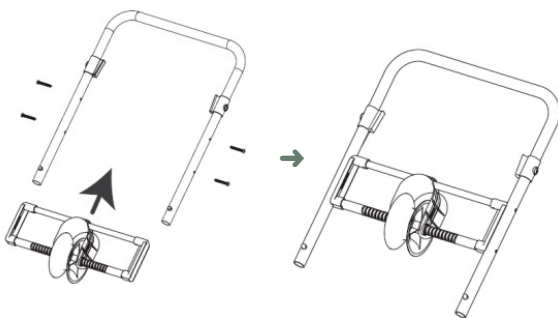
Please do not tighten these two screws until step 3.



ASSEMBLE HOSE GUIDE SYSTEM

STEP TWO:

- Place the hose guide system into the opening of the grab handle and snap in place making sure the black worm drive is on the bottom.
- Secure in place, using the **A** self-tapping screws provided.



ASSEMBLE HANDLE AND TOP TRAY

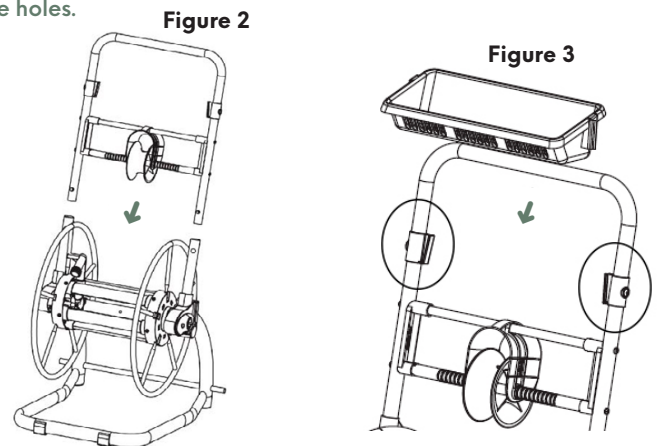
STEP THREE:

Insert the grab handle into the frame's tubes, until the snap button pops up (figure 2).

- Slide the top tray into the plastic supports on the grab handle, as shown in figure 3 below.
- Tighten the storage drum screws from step 1.

CAUTION

Be careful of pinch points when pressing the button into the holes.

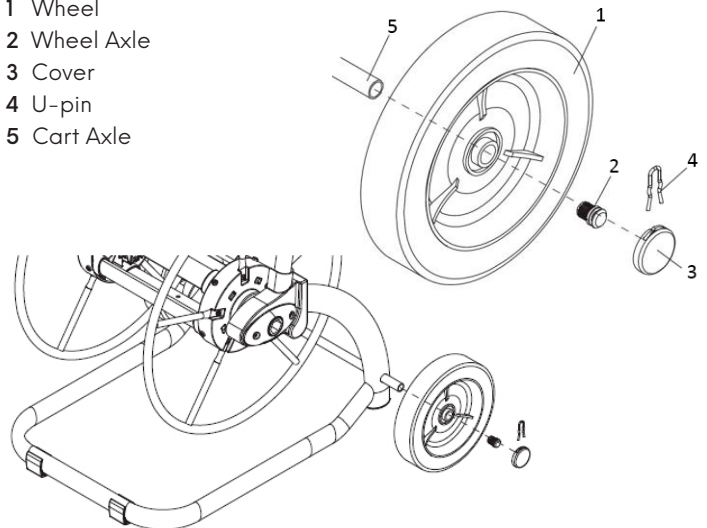


INSTALL WHEELS

STEP FOUR:

- Insert wheel (reference 1) onto the cart axle (reference 5). Note the wheel axle (reference 2) will already be fitted to the wheel.
- Put the cover (reference 3) on the axle and insert the U-pin (reference 4) into the socket on the cover.
- Repeat the process with the second wheel.

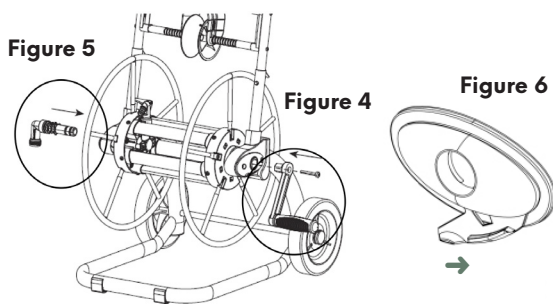
- 1 Wheel
- 2 Wheel Axle
- 3 Cover
- 4 U-pin
- 5 Cart Axle



INSTALL CRANK AND WATER INLET

STEP FIVE:

- Push the crank handle into the slot on the right-hand side of the cart (figure 4).
- Secure in place using the screw provided.
- Install the water inlet (figure 5) by pulling the locking lever (figure 6) down and inserting the water inlet in the desired orientation.
- Make sure the inlet tube is pushed all the way in before closing the locking lever to secure.



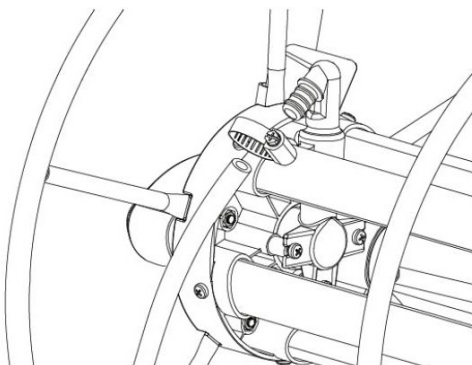
INSTALLING THE HOSE ON THE HOSE CART

STEP SIX:

- Thread hose through the feeder.
- Slide hose clamp over the end of the hose.
- Submerge end of hose into boiling water to soften, then push hose onto water inlet stem.
- Tighten hose clamp with Phillips head screwdriver.

NOTE:

Hose guide can easily be aligned by rolling the feeder wheel into the correct position, which is on the far left-hand side.



OPERATION

- Step 1:** If not already attached, screw on the included Hoselink Universal Tap Connector with black reducer to the water inlet on the left side of the Hose Reel Cart. Attach the other Tap Connector to your outdoor tap. Attach the leader hose to both Tap Connectors.
- Step 2:** Remove the length of hose needed from the drum.
- Step 3:** Turn water on at the tap.
- Step 4:** Use hose for watering.
- Step 5:** Before rewinding the hose, turn water off and squeeze nozzle for a few seconds to release pressure in the hose.
- Step 6:** Rewind hose. It is helpful to hold cart in place with one foot while cranking.

MAINTENANCE

Annual seal lubrication:

To prevent leaks and to lengthen seal life, the water inlet seals should be lubricated annually.

- Stop the flow of water to the unit by turning off the tap.
- Release locking lever.
- Pull the inlet tube from the axle.
- Lubricate the seals. Silicone-based lubricant is recommended.
- Replace the inlet tube, making sure it is pushed all the way in, before closing the locking lever.

STORAGE

- Turn water off when not in use.
- Store the Hose Reel Cart indoors when you don't intend to use it for extended periods.
- To prevent damage from expanding ice, always disconnect and drain all hoses prior to frost and freezing conditions.
- Clean the hose using only mild soap and water.