

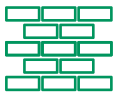
Installation

Choosing a location

The bracket must be mounted on to a strong surface, due to the weight of the reel when full of water and the pulling action during use. Brick or timber post surfaces are suitable.

Where possible, we recommend mounting the base of the bracket 850mm above ground level and up to 1.5m away from the tap. Leader Hose Extension pieces can be purchased if the hose reel is situated further from the tap.

Installing the bracket



Brick Installation

✂ Tools required

Electric drill (hammer or rotary), 12mm masonry drill bit, hammer, socket set (10mm socket)

1. Use the bracket to mark the 1st hole position.
2. Drill the hole with 12mm drill bit, 50mm deep.
(Tip: depth is important, use sticky tape around the drill bit to mark 50mm depth. If the hole is bored out too much and the plug is spinning, use a matchstick or similar to help pack the hole tight.)
3. Hammer plug into the first hole.
4. Now use the bracket to mark the 2nd hole position, then drill hole as above and hammer in plug.
5. Repeat process 1-3 to drill the remaining 2 holes.
6. Set bracket in place, add washer then screw and use socket set to tighten.
7. Repeat on all holes.



Timber Installation

✂ Tools required

Electric drill, 5mm drill bit, socket set (10mm socket)

1. Use the bracket to mark 4 hole positions.
2. Drill 4 holes with 5mm drill bit, 60mm deep.
3. Set bracket in place, add washer then screw and use socket set to tighten.
4. Repeat on all holes.

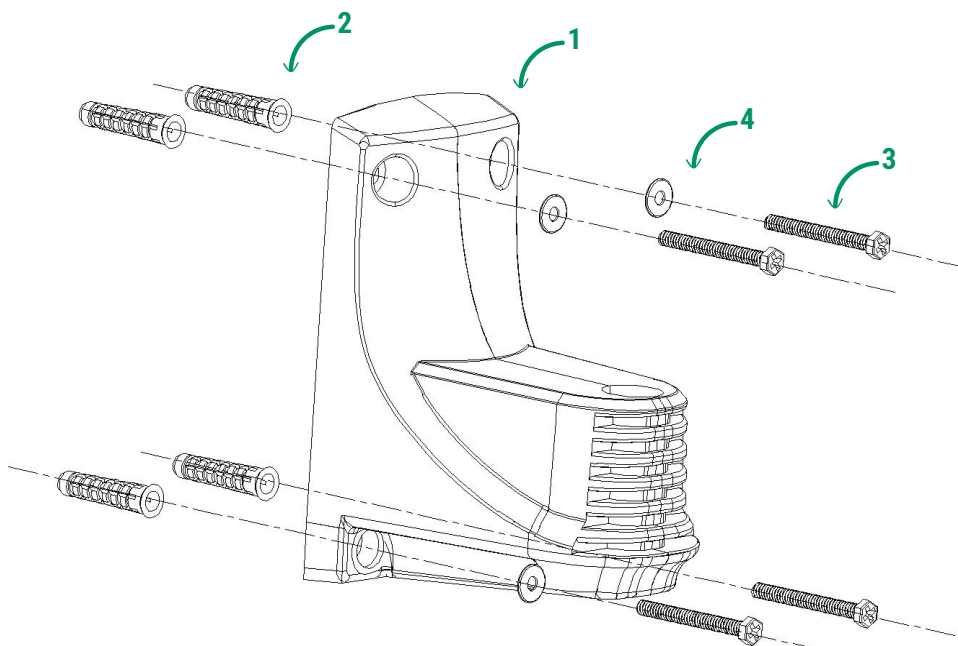


Diagram A: 1- Bracket, 2- Plugs, 3- Screws, 4- Washers