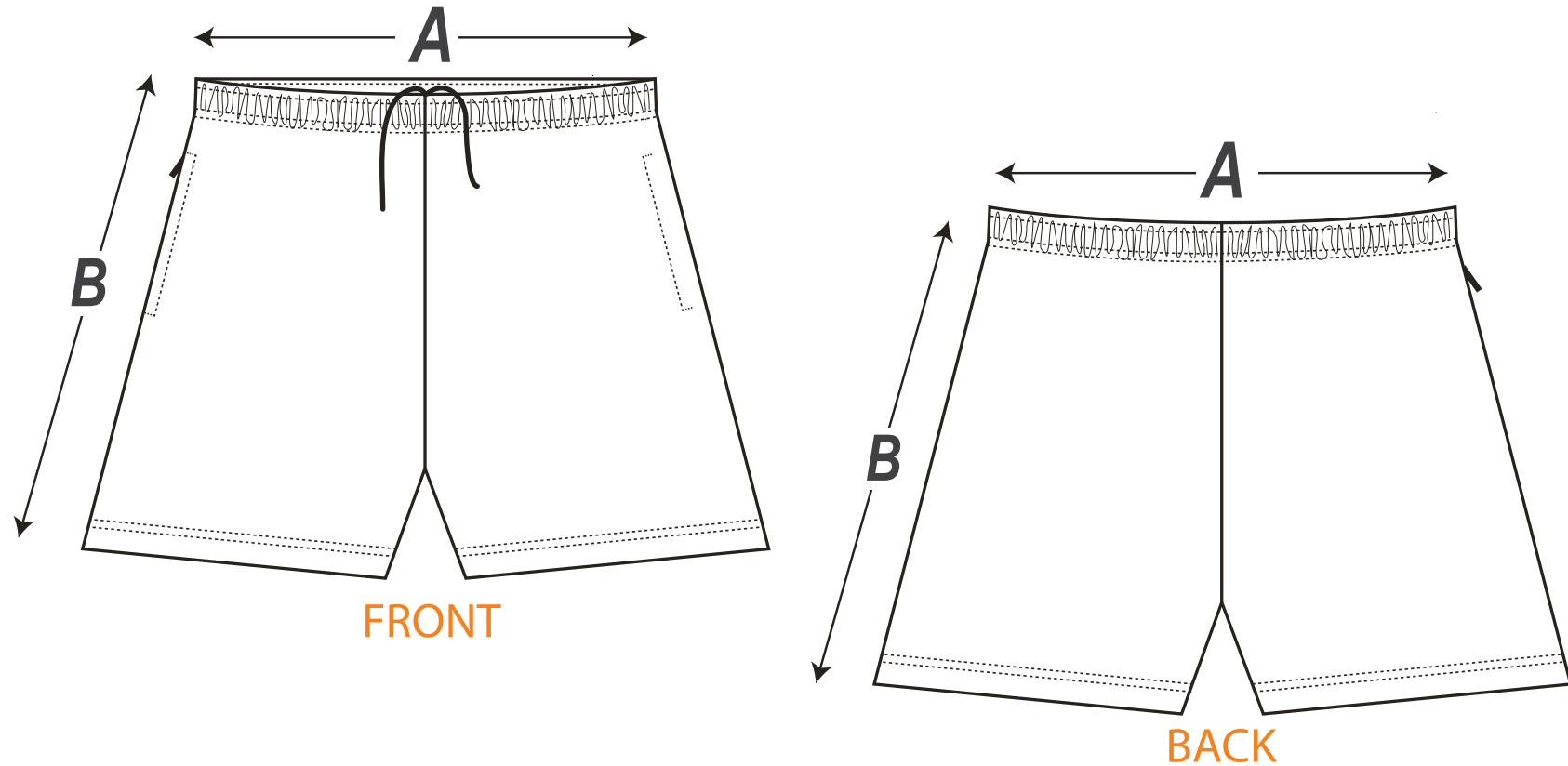


# Microfibre Short



A - Measure from edge to edge the top of waistband (relaxed).

B - Measure from top of waistband alongside to bottom of hem

| Microfibre Short     |    |    |    |    |    |    |    |      |      |      |    |
|----------------------|----|----|----|----|----|----|----|------|------|------|----|
| SIZE                 | 2  | 4  | 6  | 8  | 10 | 12 | 14 | S    | M    | L    | XL |
| A- Across waist - cm | 23 | 24 | 25 | 26 | 28 | 29 | 30 | 31.5 | 32.5 | 33.5 | 35 |
| B- Outseam - cm      | 26 | 33 | 36 | 39 | 42 | 45 | 47 | 48   | 51   | 53   | 55 |

Listed are garment measurements, not body measurements.

When using the size chart, please measure an equivalent garment to determine the correct size.