

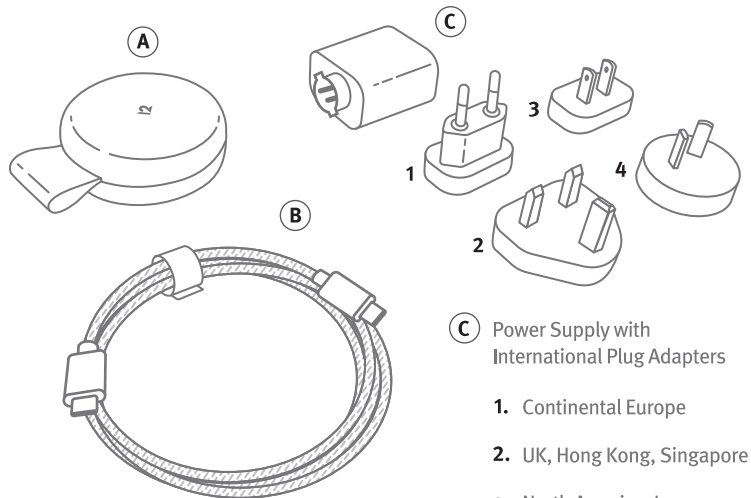
ButterFly

owner's guide



What's in the box:

- A** ButterFly MagSafe Travel Charger
- B** USB-C to USB-C 1 meter (3.3 feet) braided cable

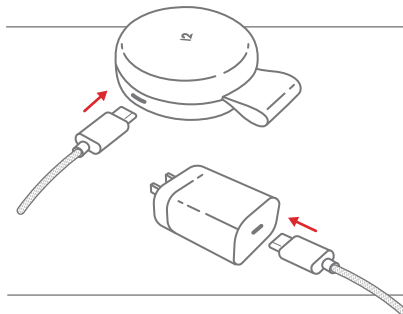
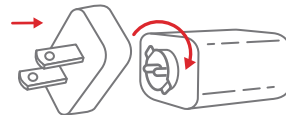


C Power Supply with International Plug Adapters

1. Continental Europe
2. UK, Hong Kong, Singapore
3. North America, Japan
4. Australia, New Zealand

Getting Started:

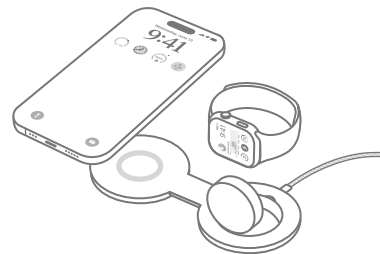
Choose your appropriate **International Plug Adapter**, slide it onto the **Power Supply** and twist until it locks into place.



Plug the **USB-C Cable** into the port on the **Power Supply** and **ButterFly**.

Plug Power Supply into nearby wall outlet.

Open **ButterFly**, and place devices on top to begin charging.



Charging your Devices

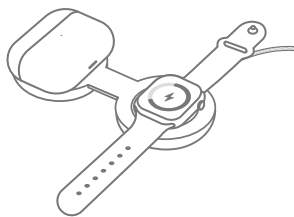
ButterFly is more flexible than you think, see below to learn all the different devices, positions and ways you can charge with ButterFly.

15W MagSafe Charger
for MagSafe compatible
iPhones and AirPods

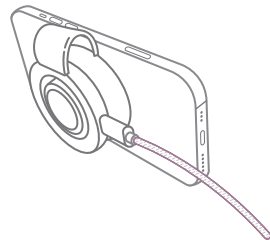


Apple Watch Fast Charger
works with all Apple Watch
models including Ultra

Other ways to use ButterFly



Flat Apple Watch + AirPods



iPhone Stand mode



iPhone Only



Apple Watch Only

ButterFly Travel Charger Tech Specs

Input: PD 5V-9V, 3A

Output: 5W/7.5W/15W

Top MagSafe Output: 15W Max

Apple Watch Output: 5W Max (Fast Charger)

Charging Efficiency: 5V: ≥66%; 9V: ≥72%;

FCC ID: 2AREB-TS2304

This device complies with part 15 of the FCC Rules. Operation is subject to the following two conditions:

1. This device may not cause harmful interference, and
 2. This device must accept any interference received, including interference that may cause undesired operation.
- Any Changes or modifications not expressly approved by the party responsible for compliance could void the user's authority to operate the equipment.

Note: This equipment has been tested and found to comply with the limits for a Class B digital device, pursuant to part 15 of the FCC Rules. These limits are designed to provide reasonable protection against harmful interference in a residential installation. This equipment generates uses and can radiate radio frequency energy and, if not installed and used in accordance with the instructions, may cause harmful interference to radio communications. However, there is no guarantee that interference will not occur in a particular installation. If this equipment does cause harmful interference to radio or television reception, which can be determined by turning the equipment off and on, the user is encouraged to try to correct the interference by one or more of the following measures:

- Reorient or relocate the receiving antenna.
- Increase the separation between the equipment and receiver.
- Connect the equipment into an outlet on a circuit different from that to which the receiver is connected.
- Consult the dealer or an experienced radio/TV technician for help.

This equipment complies with FCC radiation exposure limits set forth for an uncontrolled environment. This equipment should be installed and operated with minimum distance 20cm between the radiator & your body.

CE DECLARATION OF CONFORMITY

Twelve South declares that this product is in compliance with the essential requirements and other relevant provisions of applicable EC directives. For Europe, a copy of the Declaration of Conformity for this product may be obtained by visiting www.twelvesouth.com

IC ID: 24385-TS2304

This device complies with Industry Canada's licence-exempt RSS standard(s). Operation is subject to the following two conditions:

1. This device may not cause interference, and
2. This device must accept any interference, including interference that may cause undesired operation of the device.

Le présent appareil est conforme aux CNR d'Industrie Canada applicables aux appareils radio exempts de licence. L'exploitation est autorisée aux deux conditions suivantes:

1. L'appareil ne doit pas produire de brouillage, et
2. L'utilisateur de l'appareil doit accepter tout brouillage radioélectrique subi, même si le brouillage est susceptible d'en compromettre le fonctionnement.

This Class B digital apparatus complies with Canadian ICES-003.

Cet appareil numérique de la classe B est conforme à la norme NMB-003 du Canada.

IC RF Statement:

When using the product, maintain a distance of 20cm from the body to ensure compliance with RF exposure requirements.

NCC 警示語

根據低功率射頻器材技術規範：

取得審驗證明之低功率射頻器材，非經核准，公司、商號或使用者均不得擅自變更頻率、加大功率或變更原設計之特性及功能。低功率射頻器材之使用不得影響飛航安全及干擾合法通信；經發現有干擾現象時，應立即停用，並改善至無干擾時方得繼續使用。前述合法通信，指依電信管理法規定作業之無線電通信。低功率射頻器材須忍受合法通信或工業、科學及醫療用電波輻射性電機設備之干擾。

2. 根據低功率射頻電機技術規範 (5G 才要加)

4.7.9.1 應避免影響附近雷達系統之操作。

4.7.9.2 高增益指向性天線只得應用於固定式點對點系統。

EFICIENCIA ENERGÉTICA
Cumple con la NOM-029-ENER-2017



Points de collecte sur www.quefairedesdechets.fr
Privilégiez la réparation ou le don de votre appareil !

twelvesouth.com/recycle

thank you

Have questions?

Visit twelvesouth.com or contact support@twelvesouth.com

© 2023 Twelve South, LLC. All rights reserved. 1503 King St. Charleston, SC 29405 - USA