

Tips and Tricks

It is recommended to secure USB-C hubs with the included **Peripheral Strap** or **Coated Twist Ties** so heavier attached cables and connections won't move the hub.

Peripherals can be double stacked on top or even mounted under the shelf using a combination of the included **Coated Twist Ties** and **Peripheral Strap**.

The **BackPack Shelf** can be mounted above or below the iMac (Studio Display) pass-through hole by rotating the **Saddle Clip**. Just don't forget to leave room for the Power Cable to still pass through.

Use the perforations on the **BackPack Shelf** to secure excess cable underneath using the included coated twist ties.

thank you

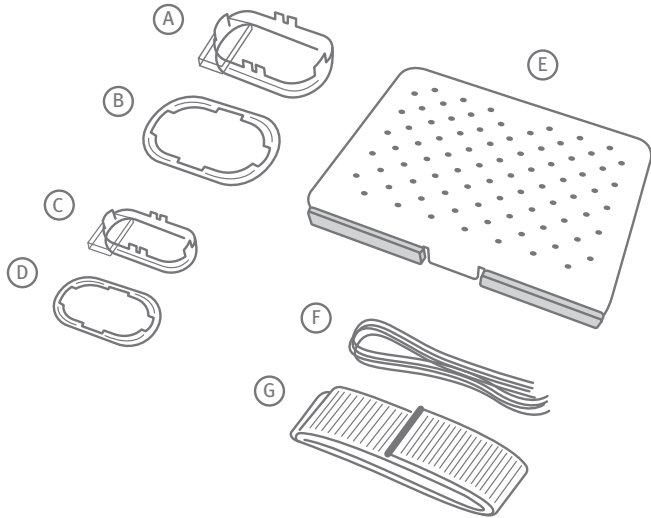
Have questions?

Visit [twelvesouth.com](https://www.twelvesouth.com) or contact support@twelvesouth.com
©2022 Twelve South, LLC. All rights reserved.

BackPack
owner's guide



What's in the Box



A. Studio Display Saddle Clip

E. Backpack Shelf

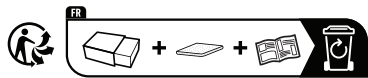
B. Studio Display Saddle Lock

F. Coated Wire Twists

C. iMac Saddle Clip

G. Adjustable Peripheral Strap

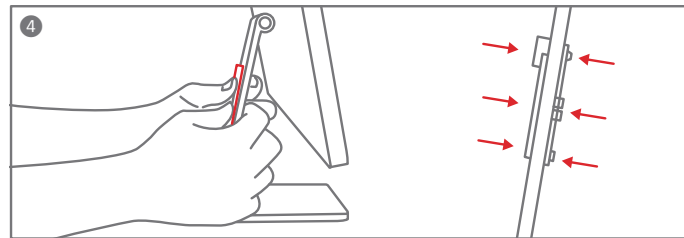
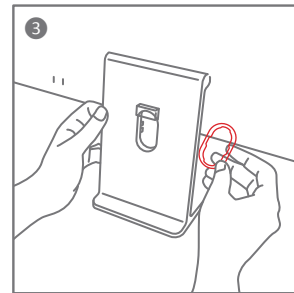
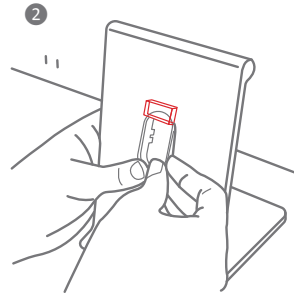
D. iMac Saddle Lock



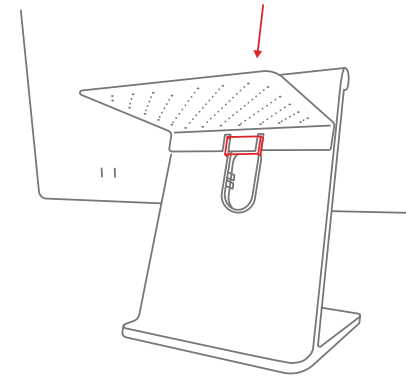
twelvesouth.com/recycle

Installing Backpack

- iMac:** Power down your iMac, turn it around so you're looking at the back, and temporarily remove the power cable with a gentle pull.
- Studio Display:** Unplug your Studio Display, turn it around so you're looking at the back, and temporarily thread the power cable through the cable hole.
- Insert the **Saddle Clip** into your iMac (Studio Display) stand's cable pass-through hole, making sure the **Flat Tab** is positioned at the top.
- Through the cable hole, align the **Saddle Lock** with the **Saddle Clip** from the back of the cable pass-through hole.
- Pinch the **Saddle Clip** and **Saddle Lock** firmly into each other, making sure all tabs fully snap & lock together.



- Plug the power cable into your iMac (or thread the cable back through the cable hole of your Studio Display), place your accessories on the **BackPack**, and you're all set.



Using Backpack

Keep backup Hard Drives, USB-C hubs and other hardware connected to your iMac (Studio Display) but out of sight and off your desktop.

BackPack can support up to 2 lbs (1 kilo) of hardware. If desired, use the **Coated Wire Twists** or **Adjustable Peripheral Strap** to secure hardware to **BackPack** for additional security and stability.

