

HoverBar Tower

owner's guide

pull

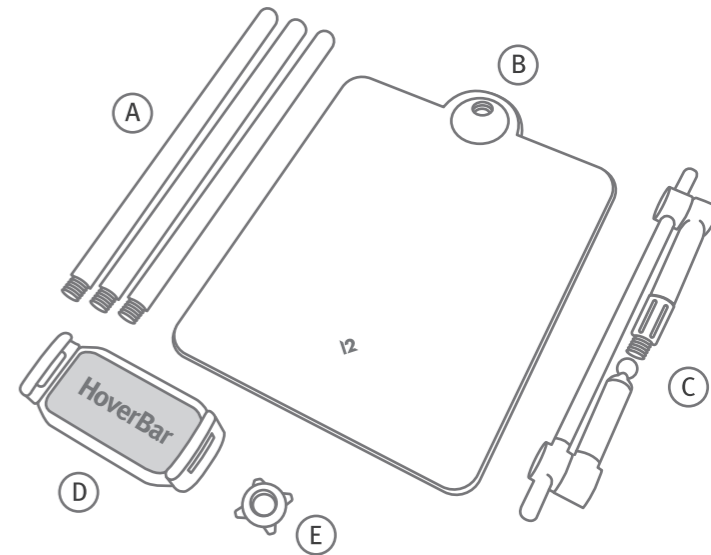
Table of Contents

What's in the Box	1
Assembly of HoverBar Tower	2
Securing iPad	7
HoverBar Tower Tips and Tricks	8



What's in the Box

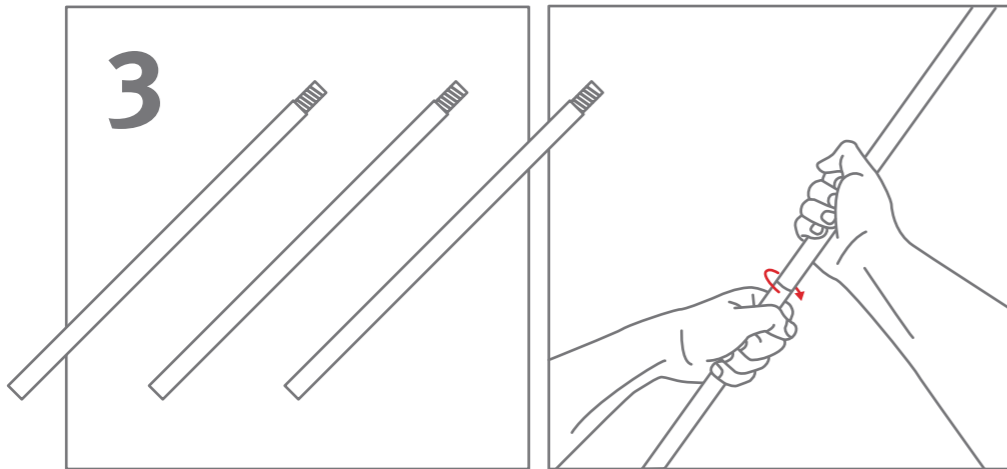
- (A) Tower Post Poles (3)
- (B) Weighted Base
- (C) Articulating Arm with Ridged Collar
- (D) iPad Clip
- (E) iPad Clip Collar (attached to iPad Clip)



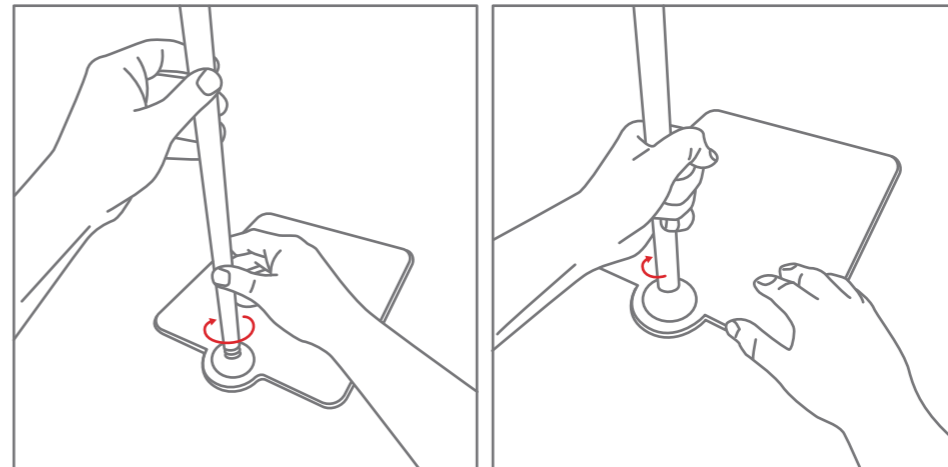
Assembly Instructions (no tools required)

- 1 Carefully remove all parts from the box and packaging.

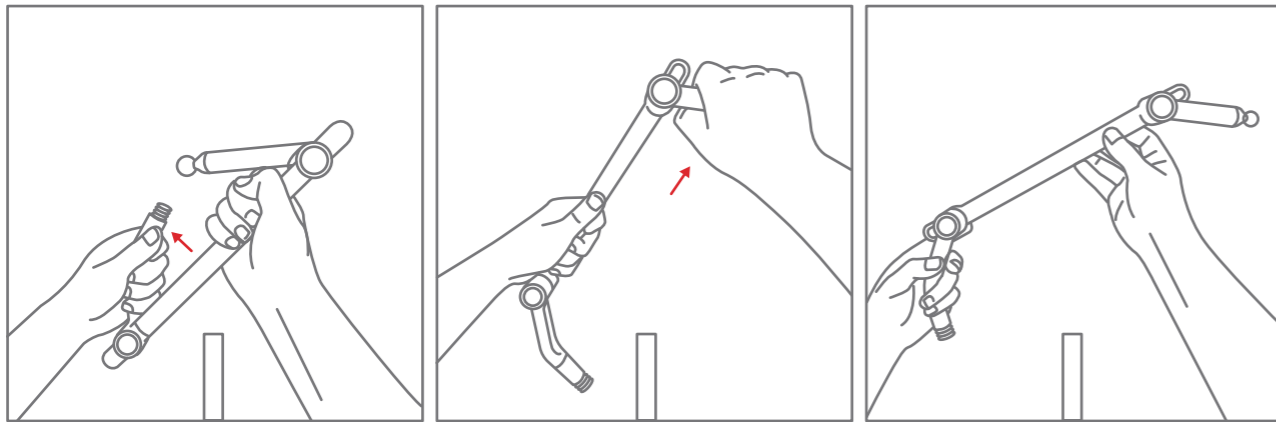
Assemble the **Tower Post** by screwing the three segments firmly together.



- 2 Carefully screw the **Tower Post** into the **Weighted Base**. Once tightened, firmly grasp the bottom segment of the **Tower Post** and give a final, strong twist to make sure there is no movement between the **Tower Post** and **Weighted Base**.

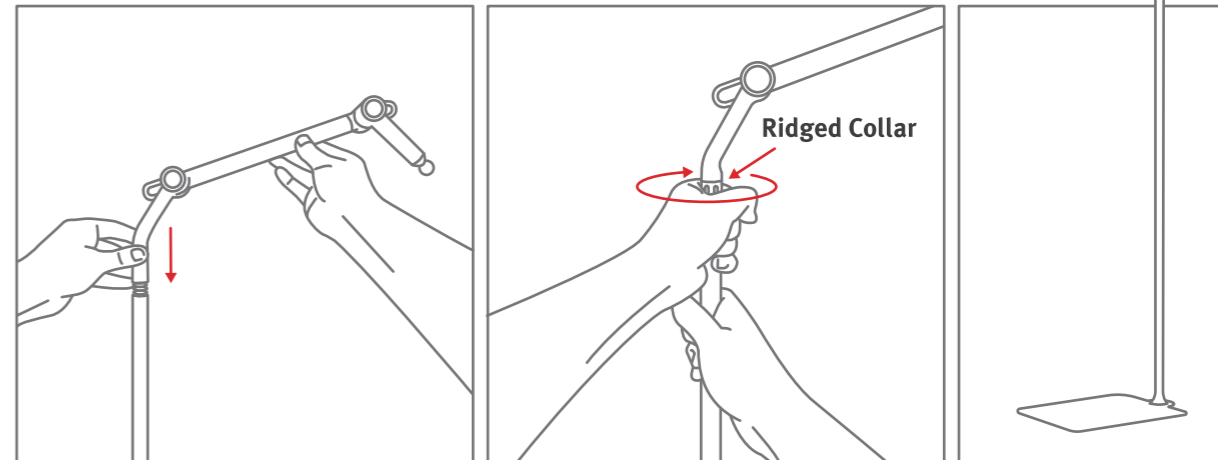


- ③ Unfold the **Articulating Arm** by firmly grasping the body and pull each stalk outward approximately to the positions shown below.



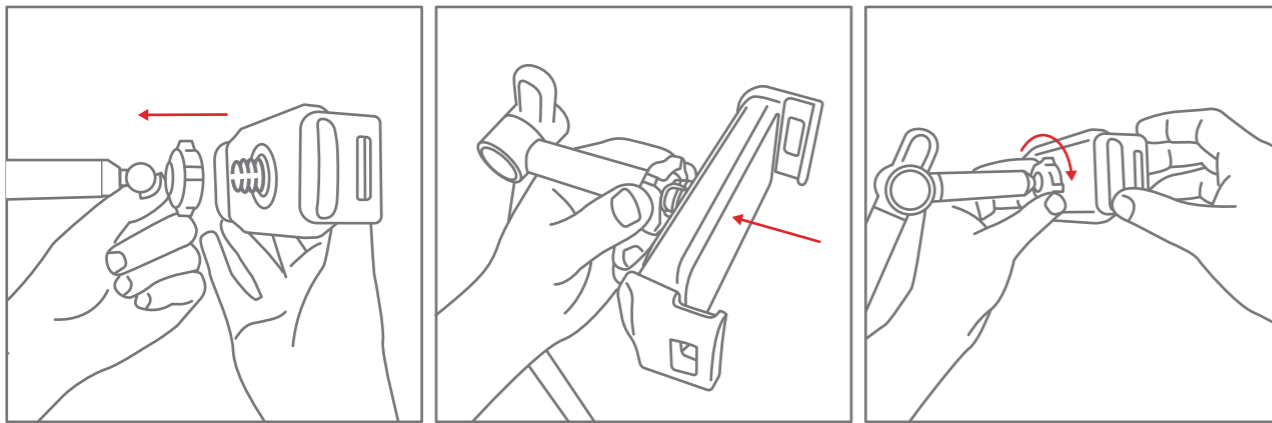
- ④ Attach the **Articulating Arm** to the **Tower Post** by carefully aligning the threads and screwing the **Articulating Arm** onto the **Tower Post**. Once hand-tight, give a last firm twist to the **Ridged Collar** of the **Articulating Arm**.

Note: For maximum stability, point the bottom segment of the **Articulating Arm** towards the back of the **Weighted Base**.



- 5 Attach the **iPad Clip** to the **Articulating Arm** by removing the **iPad Clip Collar** and sliding it onto the ball of the **Articulating Arm**. Firmly press the iPad Clip onto the ball of the **Articulating Arm** until it snaps into place, and then tighten the collar back onto the iPad Clip.

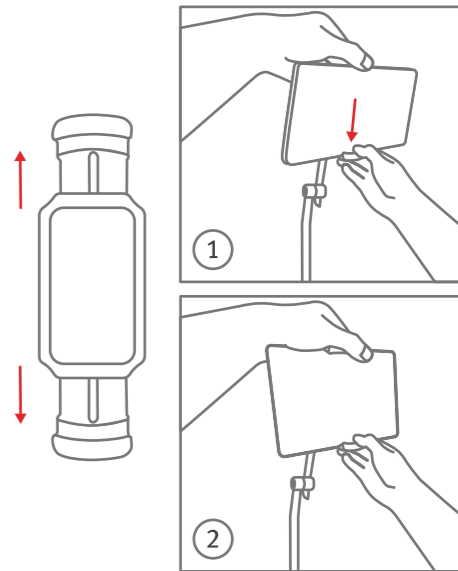
Note: Do not over-tighten.



Securing iPad

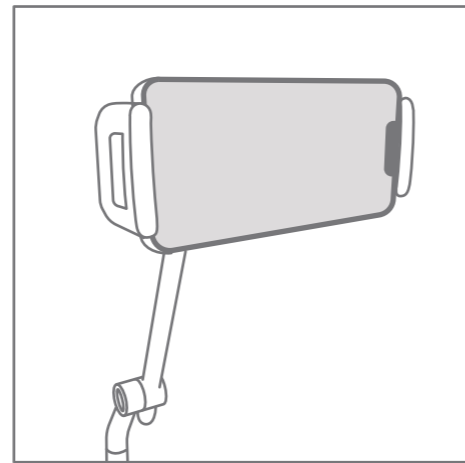
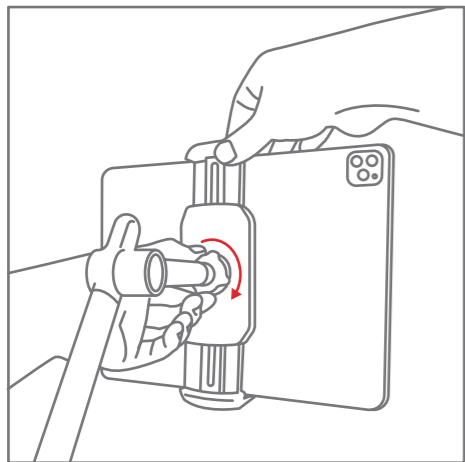
- 1 Insert the edge of the iPad into one side of the **iPad Clip** and pull the clip open with the other hand.
- 2 When the top of the **iPad Clip** is expanded beyond the top edge of the iPad, lean the iPad back into the **iPad Clip**.
- 3 Carefully release the **iPad Clip** to secure the iPad in place.
- 4 Rotate and position the iPad into the desired placement and orientation.

Note: Please remove the iPad from the **iPad Clip** when significantly repositioning the HoverBar Tower or moving it.



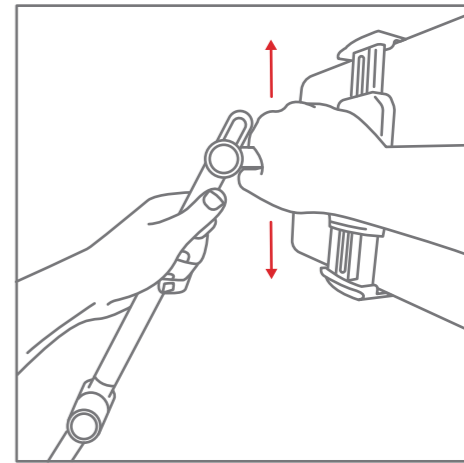
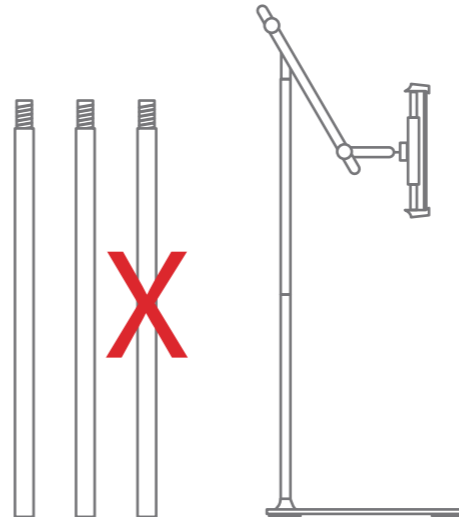
HoverBar Tower Tips & Tricks

To prevent your iPad from tilting out of position, gently but firmly tighten the **iPad Clip Collar**. Do not over-tighten.



You can use HoverBar Tower with your iPhone. Just insert the iPhone into the **iPad Clip** horizontally.

If a shorter height is desired, HoverBar Tower can be assembled with only two **Tower Post** segments instead of three.



Use two hands to adjust **Articulating Arm**.