

**TRACK CONDITIONS**     Indoor     Tight     Smooth     Hard Packed     Blue Groove

Wet     Low Bite     High Bite     Outdoor     Open     Rough     Loose/Loamy

Dry     Dusty     Med Bite     Other \_\_\_\_\_

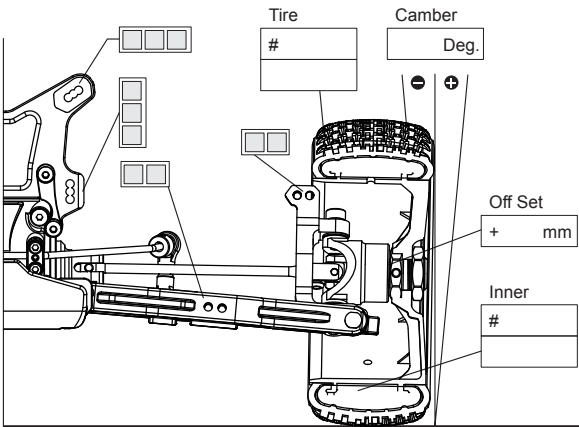
**ENGINE**    Gasket    mm    Plug    Muffler    Fuel

Clutch bell     16T     17T     18T     Other \_\_\_\_\_ T    Shoes  3     4    Spring    mm

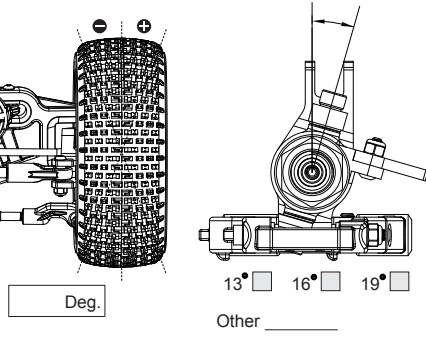
**DIFF**    Front    Oil #    Center    Oil #    Rear    Oil #

\_\_\_\_\_ T x \_\_\_\_\_ T    Spur gear    T    \_\_\_\_\_ T x \_\_\_\_\_ T

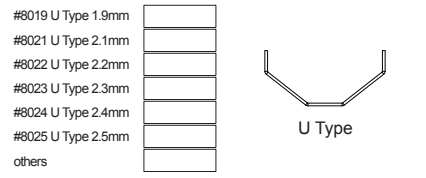
**Front Suspension**



**Front Toe angle    Caster Angle**



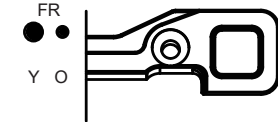
**Anti-roll bar    FRONT**



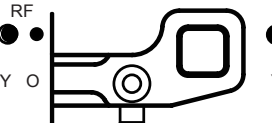
**Kick Up**



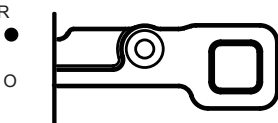
**Toe Angle**



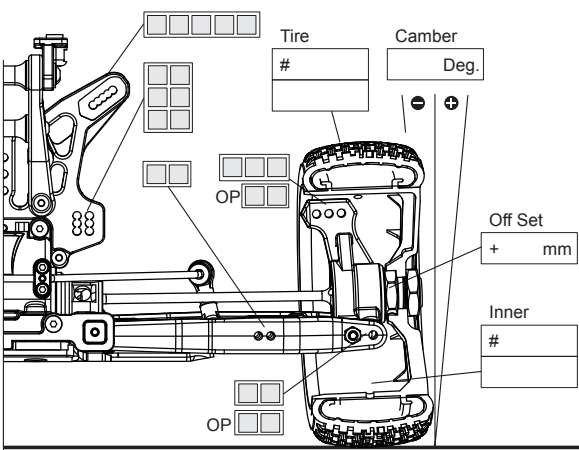
**Anti Squat**



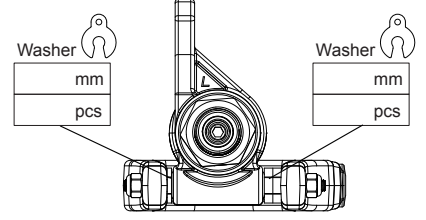
**Toe Angle**



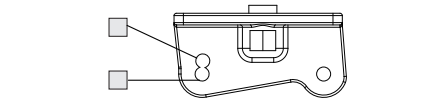
**Rear Suspension**



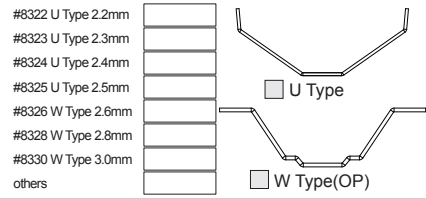
**Wheel base**



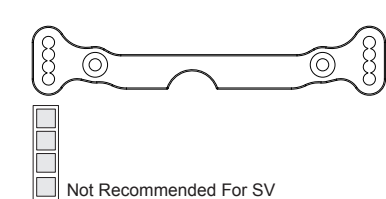
**Wing position**



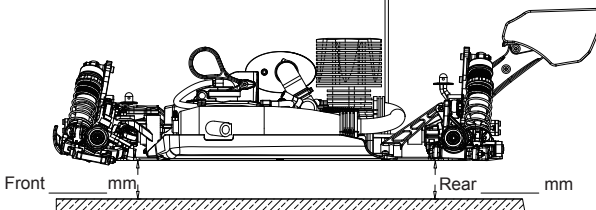
**Anti-roll bar    REAR**



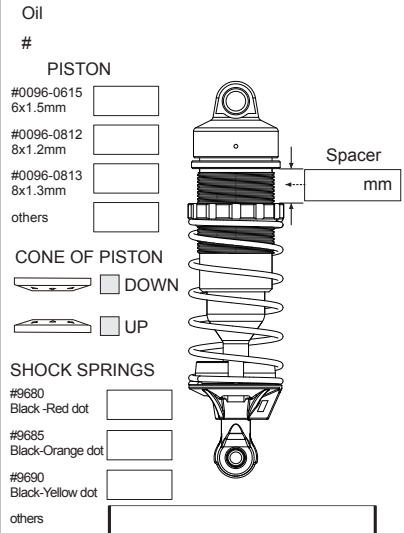
**Acker man**



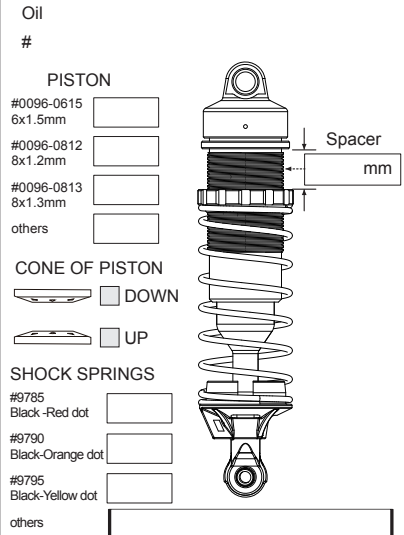
**RIDE HEIGHT**



**Front Shock**



**Rear Shock**



**DROOP LIMITER**

