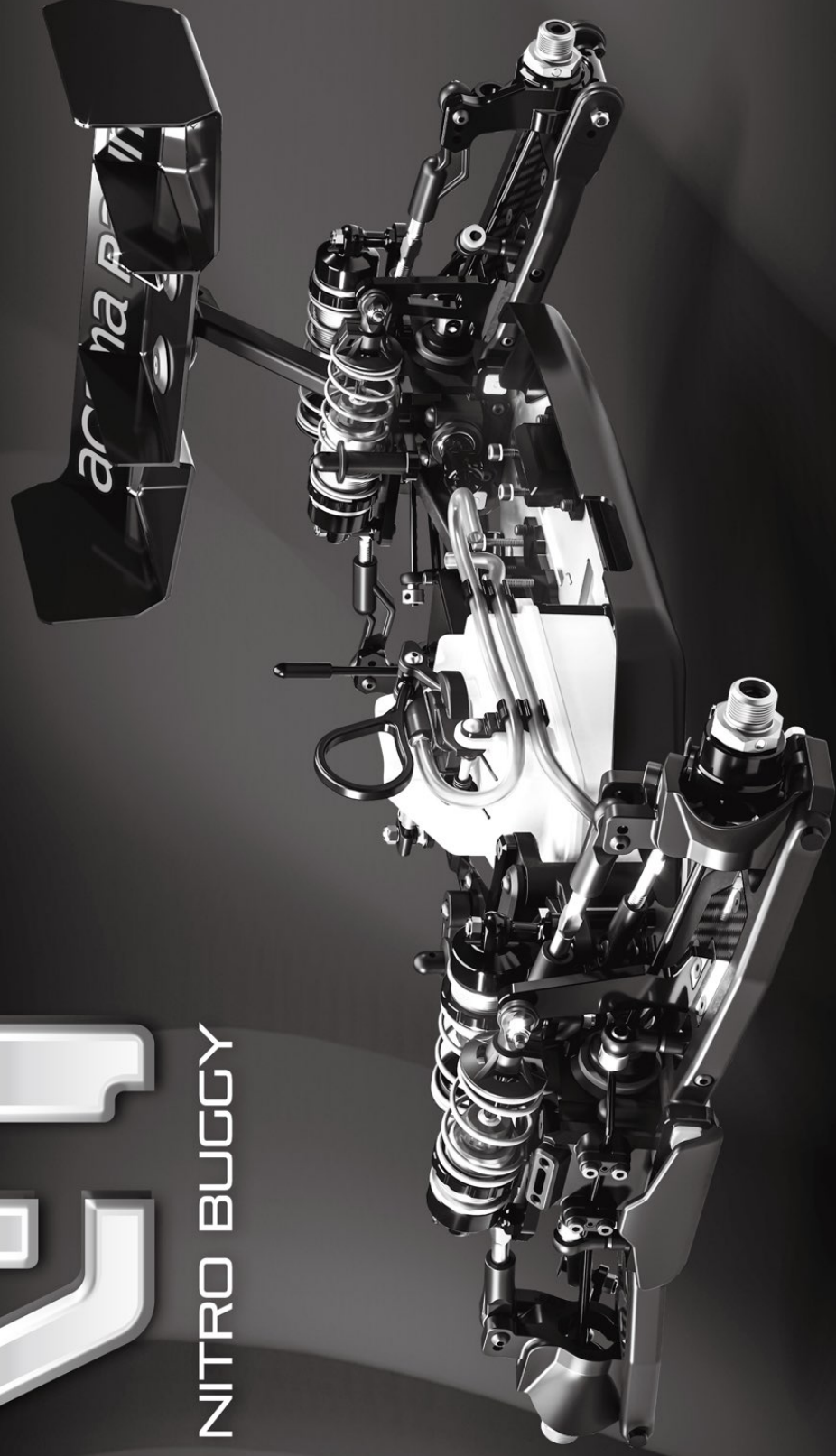


AGAMA

1/8 NITRO BUGGY

GEN IV PRO KIT



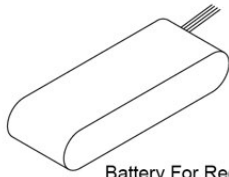
Instruction Manual

Agama vehicles fit a wide range of skilled drivers. Pros and Beginners alike can experience Agama products with great results! Agama products are designed with quality and precision in mind.

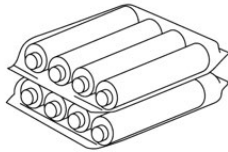
INTRODUCTION		01
CAUTION		02
BAG A	Front Diff Installation	03
	Rear Diff Installation	04
	Center Diff Installation	05
BAG B	Shock Install (Front & Rear)	06-07
BAG C	Front Spindle & CVD Installation	08
BAG D	Front End Installation	9-11
BAG E	Rear Hub & CVD Installation	12
BAG F	Rear End Installation	13-15
BAG G	Center Diff/Brake Installation	16
BAG H	Switch/Antenna tube Installation	17-18
BAG I	Flywheel Assembly	
	Clutch Bell Assembly	19-21
	Engine Mount Assembly	
BAG J	Servo Saver Installation	
	Steering Servo Link Assembly	
	Steering Post & Front Chassis Support Assembly	22-23
	Steering Saver & Front Chassis Brace Assembly	
	Completed Steering Assembly	
BAG K	Chassis Guard Installation	24
BAG L	Throttle/Brake Linkage Assembly	
	Completed Throttle/Brake Assembly	25
BAG M	Air Filter Assembly	26
CHASSIS INSTALLATION		27-34
FACTORY SETUP SHEET		35-37

Notice: The following items are needed for completion of the PRO KIT, They are not included with this kit (unless noted), and should be obtained from your local hobby shop.
Be sure to read the instructions completely prior to assembly.

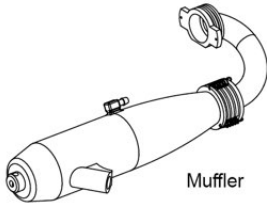
ADDITIONAL ITEMS NEEDED FOR COMPLETION



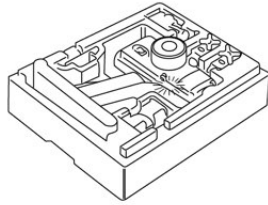
Battery For Receiver
68x37x20mm



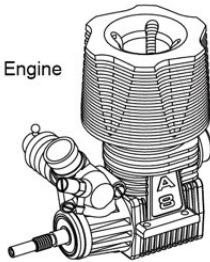
Battery For Transmitter



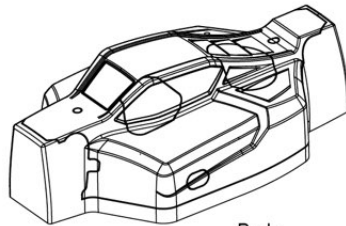
Muffler



2 Channel Radio

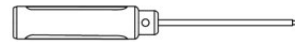


Engine

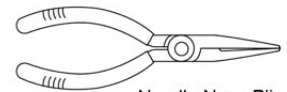


Body

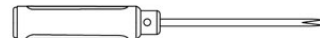
TOOLS NEEDED TO ASSEMBLE



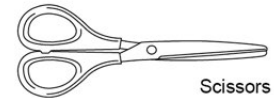
Hex Wrenches



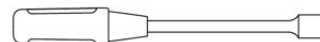
Needle Nose Pliers



Phillips Type Screw Driver



Scissors



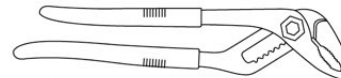
Box Wrench(5.5mm / 7mm / 10mm)



Hobby Knife



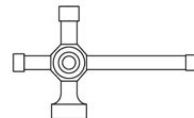
Instant Glue



Pliers



Thread Locker



Utility Wrench

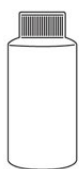


Glass or Vinyl Tape



Rubber Glue

ADDITIONAL ITEMS NEEDED FOR STARTING



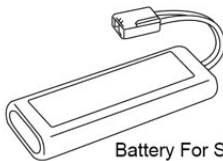
Air Filter Oil



Fuel bottle



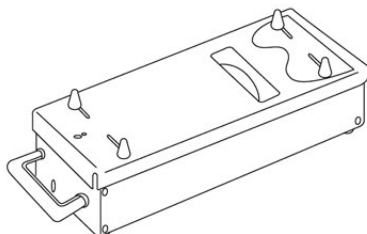
Fuel



Battery For Starter Box

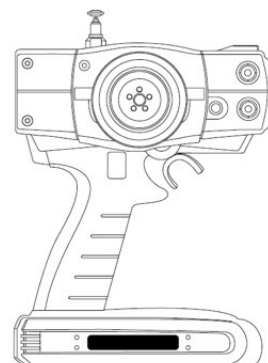
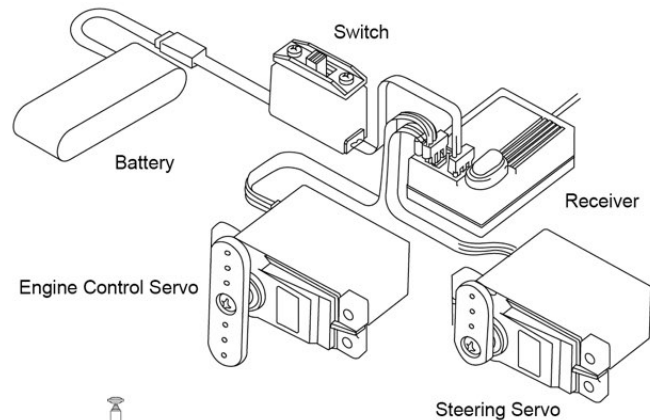


Glow Plug Ignitor



Starter Box

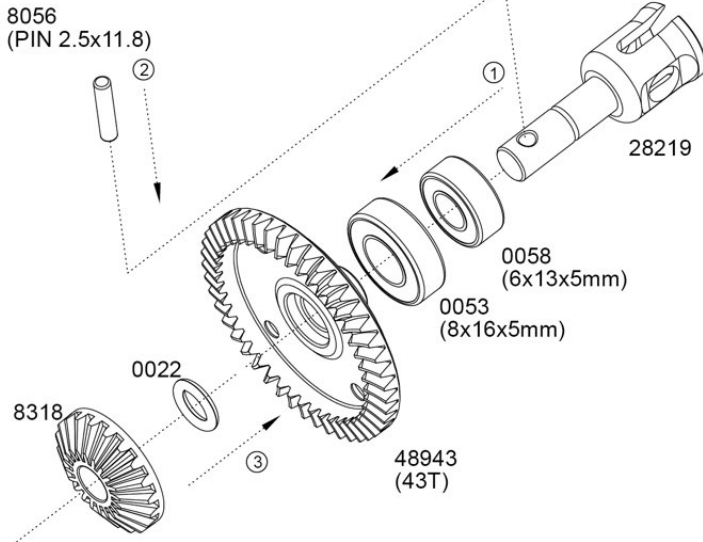
ITEMS NEEDED TO CONTROL CAR



Transmitter

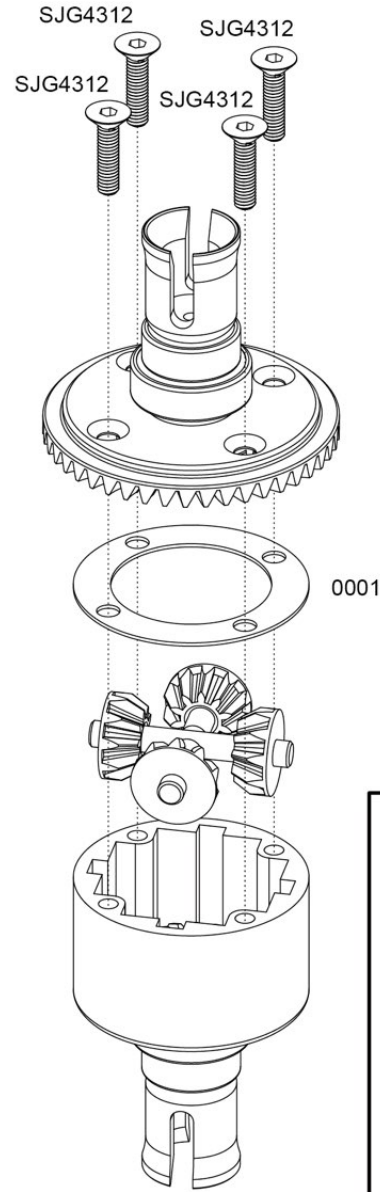
STEP A - 1

Front Diff Ring Gear Assembly

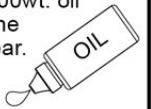


STEP A - 3

Complete Front Diff Assembly

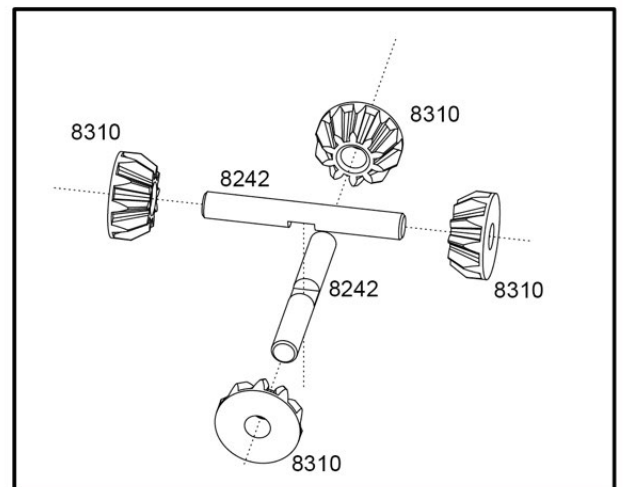
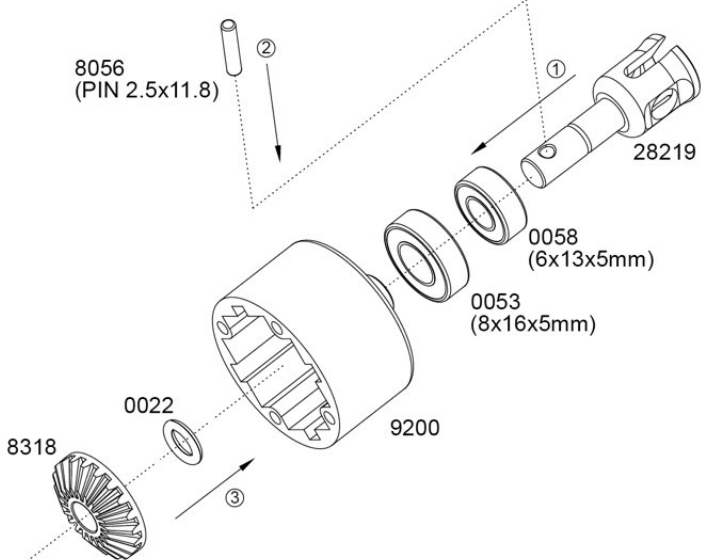


Fill with 10000wt. oil just above the planetary gear.



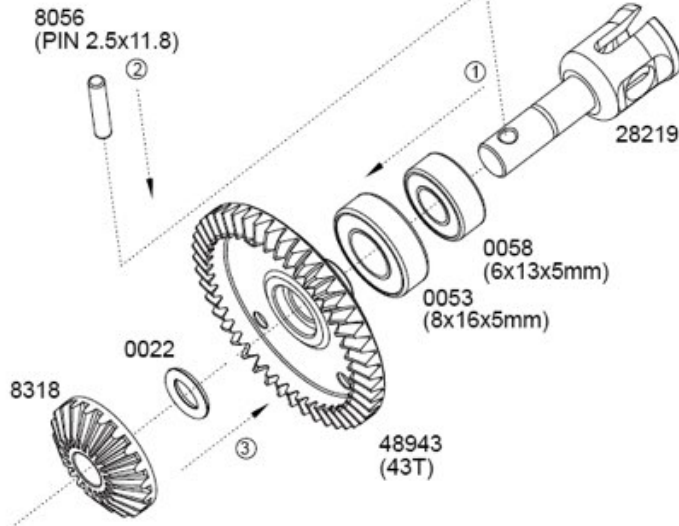
STEP A - 2

Front Diff Case Assembly



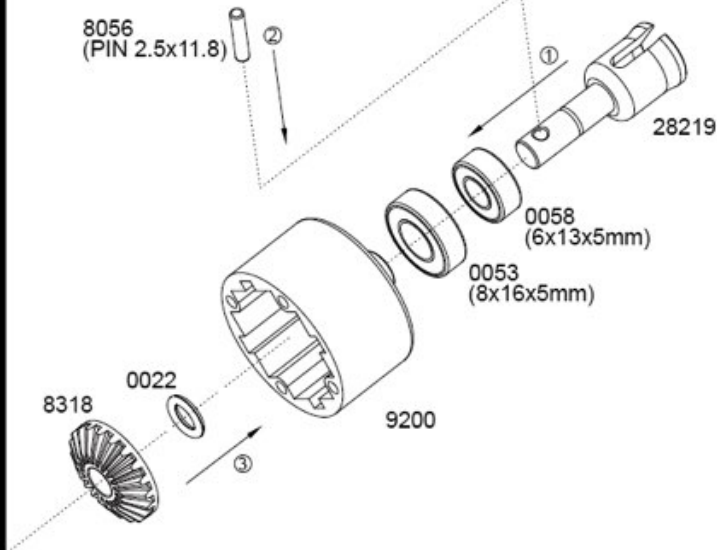
STEP A - 4

Rear Diff Ring Gear Assembly



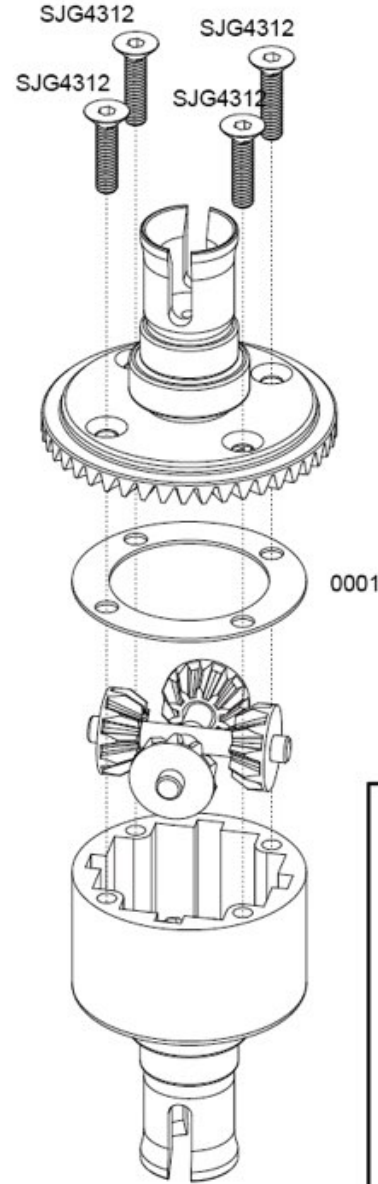
STEP A - 5

Rear Diff Case Assembly

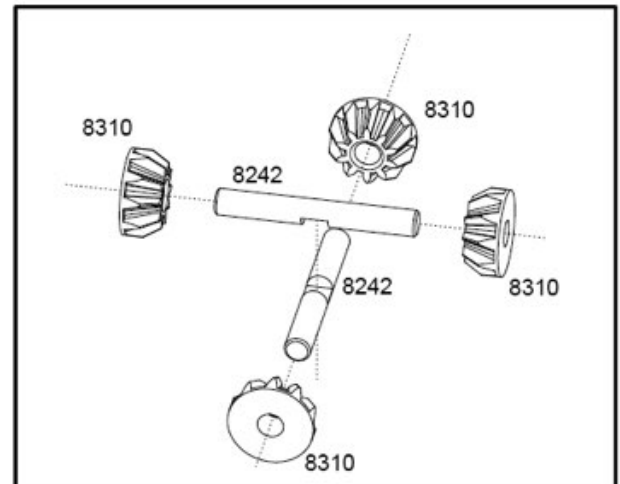
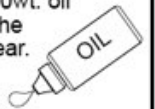


STEP A - 6

Complete Rear Diff Assembly

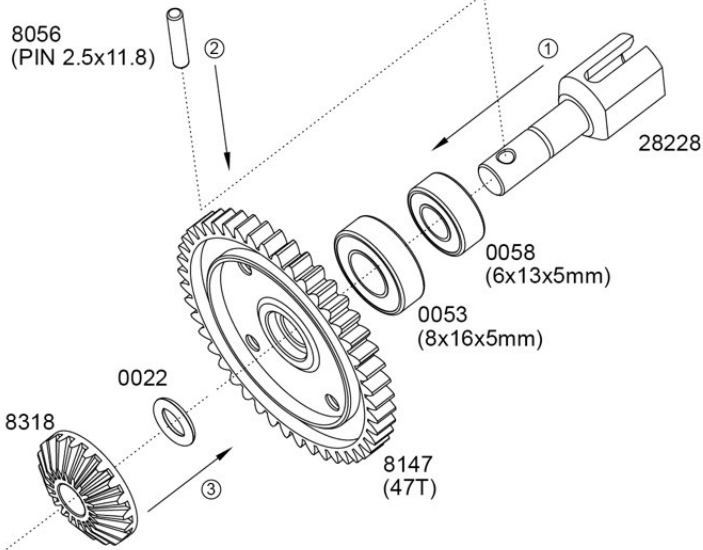


Fill with 5000wt. oil just above the planetary gear.



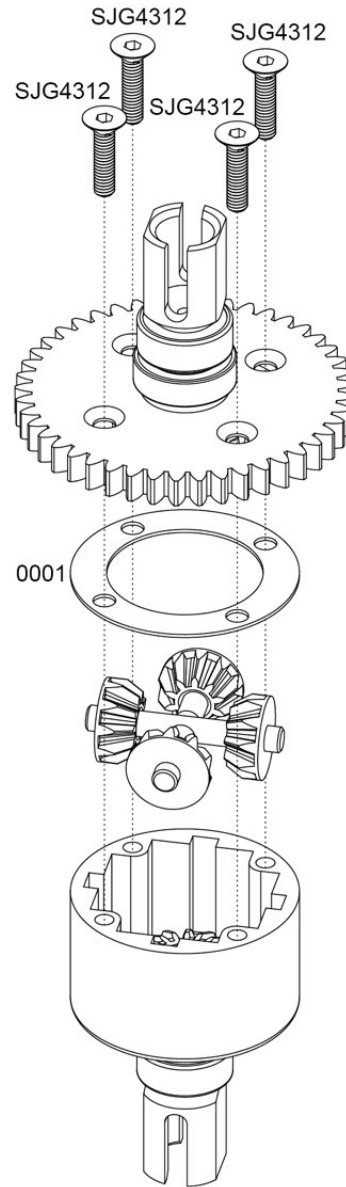
STEP A - 7

Center Diff Ring Gear Assembly



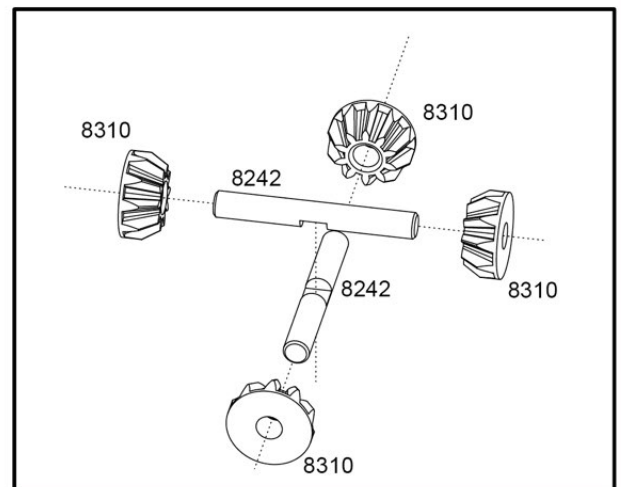
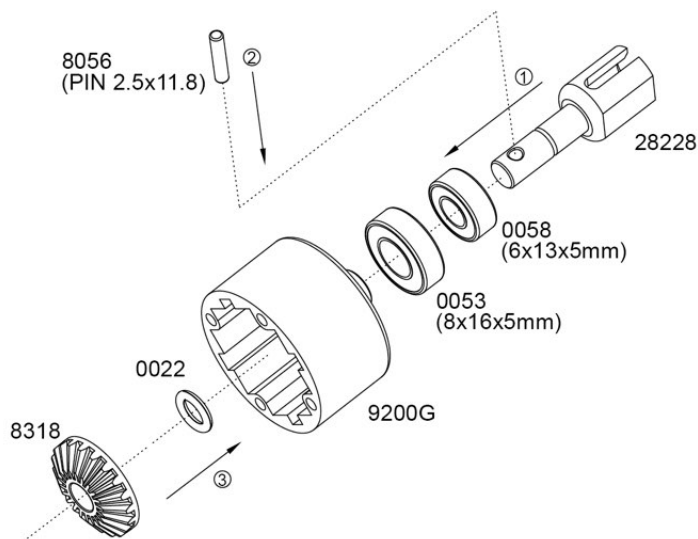
STEP A - 9

Complete Center Diff Assembly



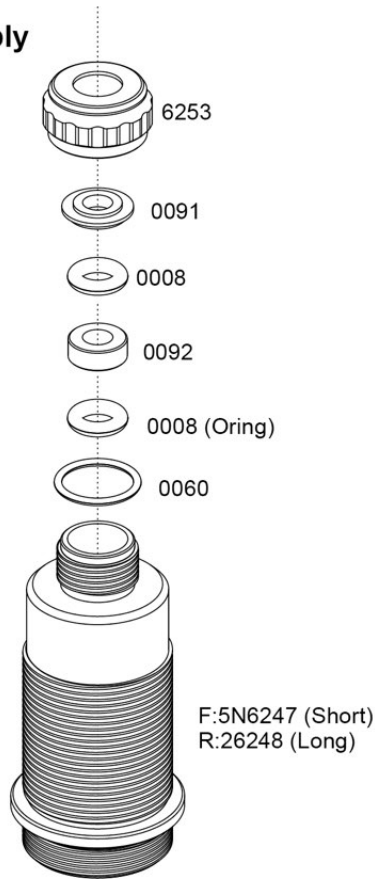
STEP A - 8

Center Diff Case Assembly



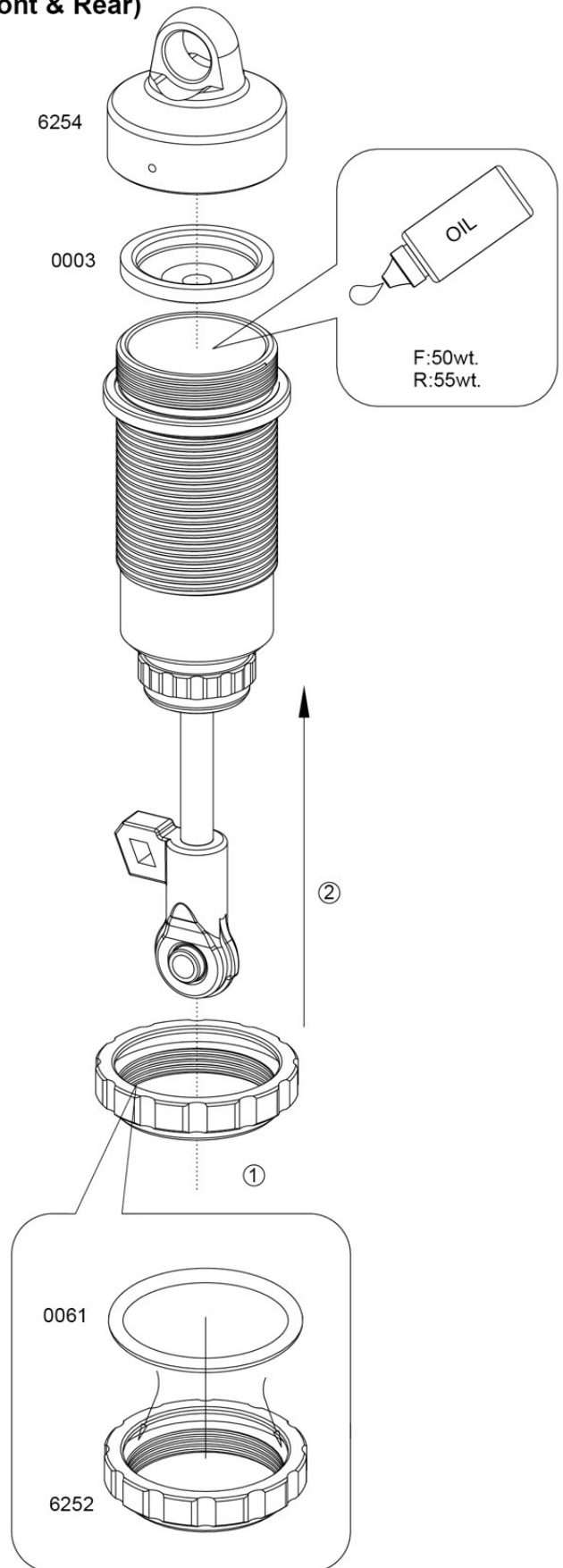
STEP B - 1

Shock Assembly (Front & Rear)



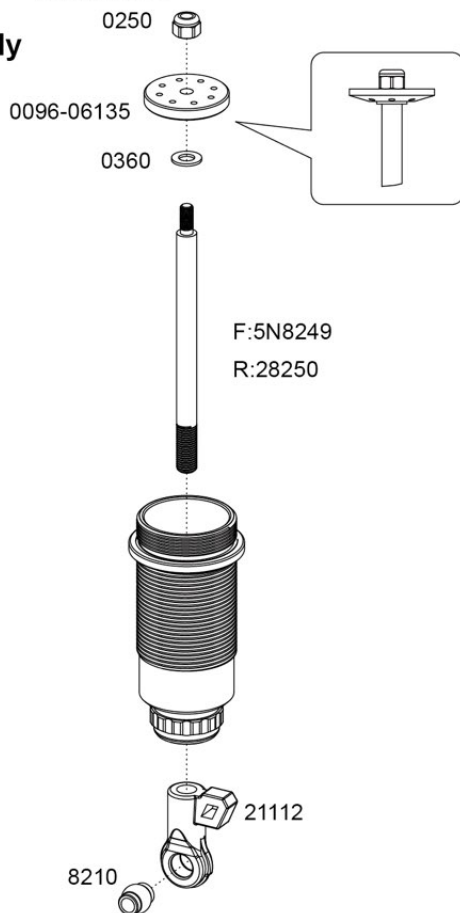
STEP B - 3

Shock Assembly (Front & Rear)



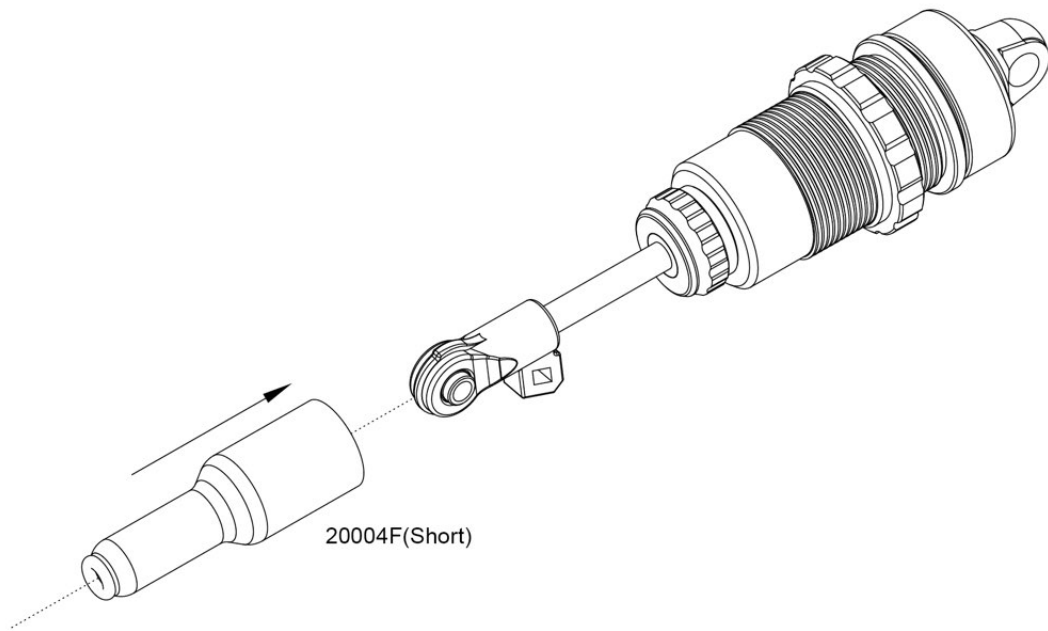
STEP B - 2

Shock Assembly (Front & Rear)



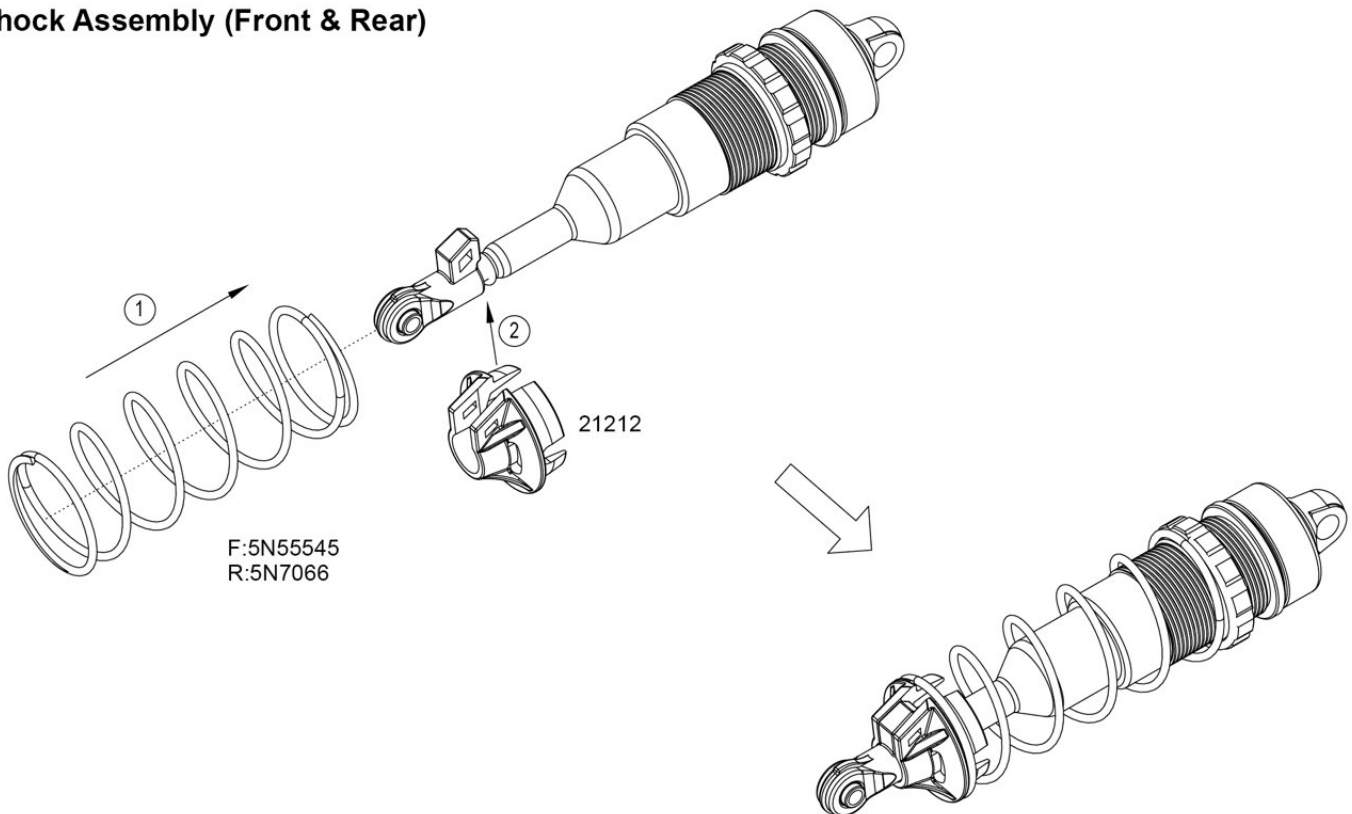
STEP B - 4

Shock Assembly (Front & Rear)



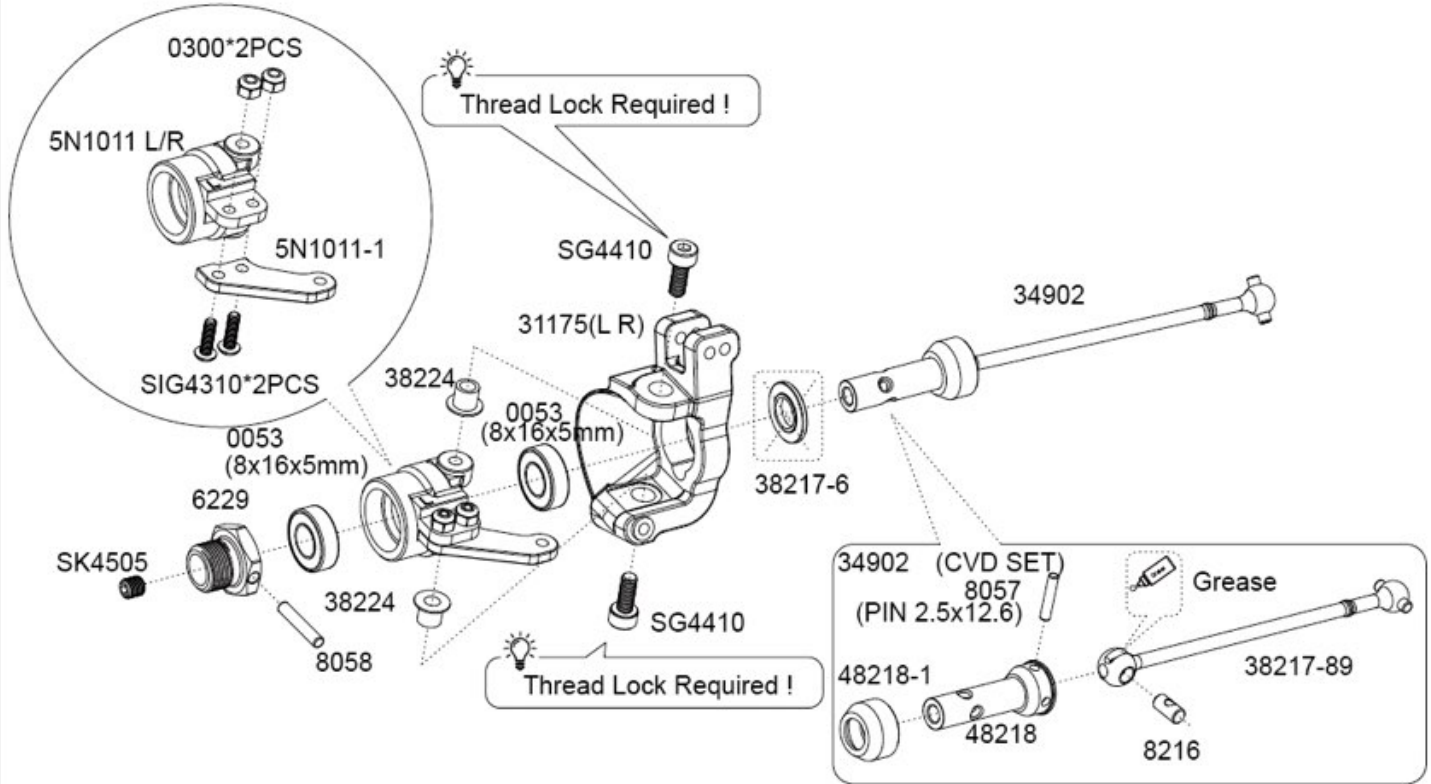
STEP B - 5

Shock Assembly (Front & Rear)



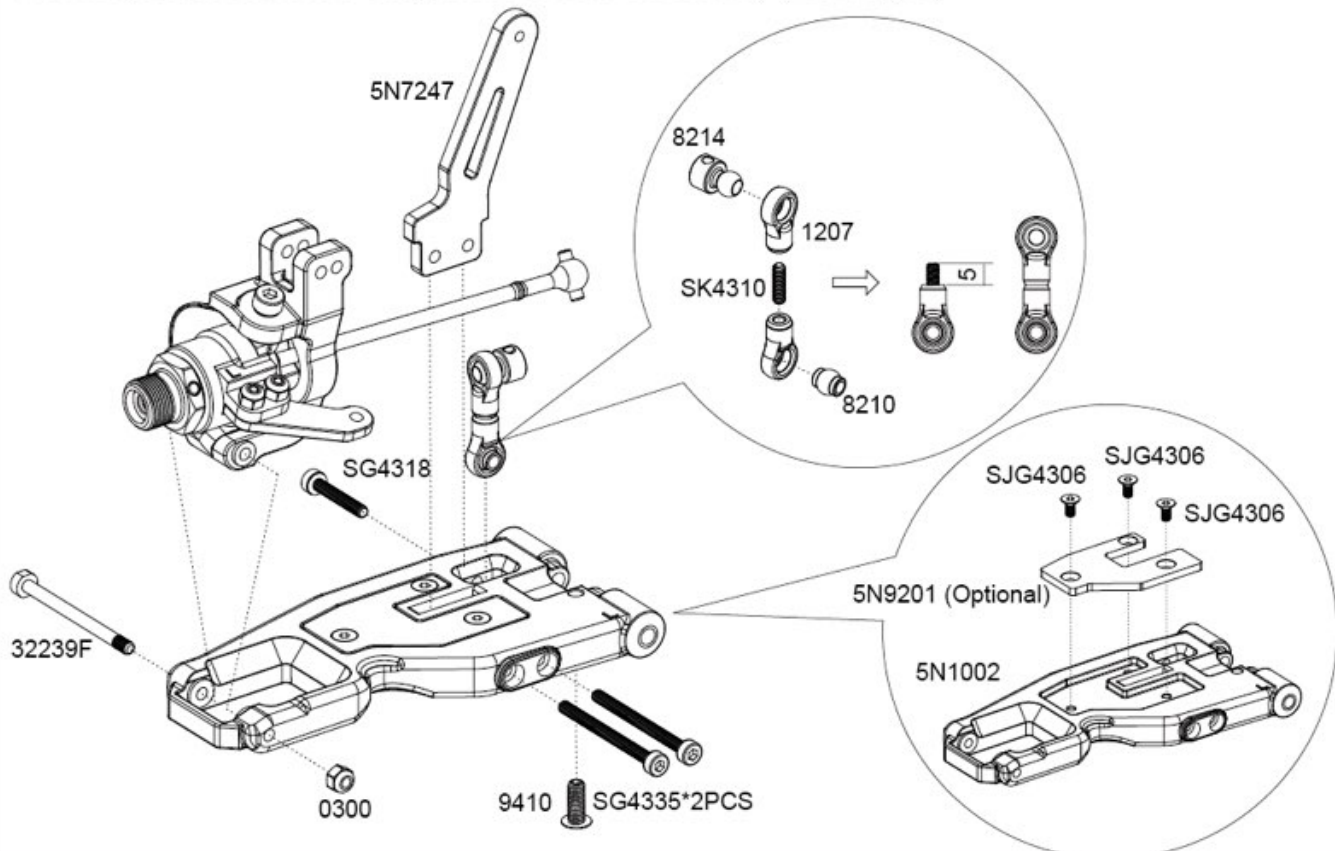
STEP C-1

Front Spindle & Drive Shaft Assembly (Left/Right)



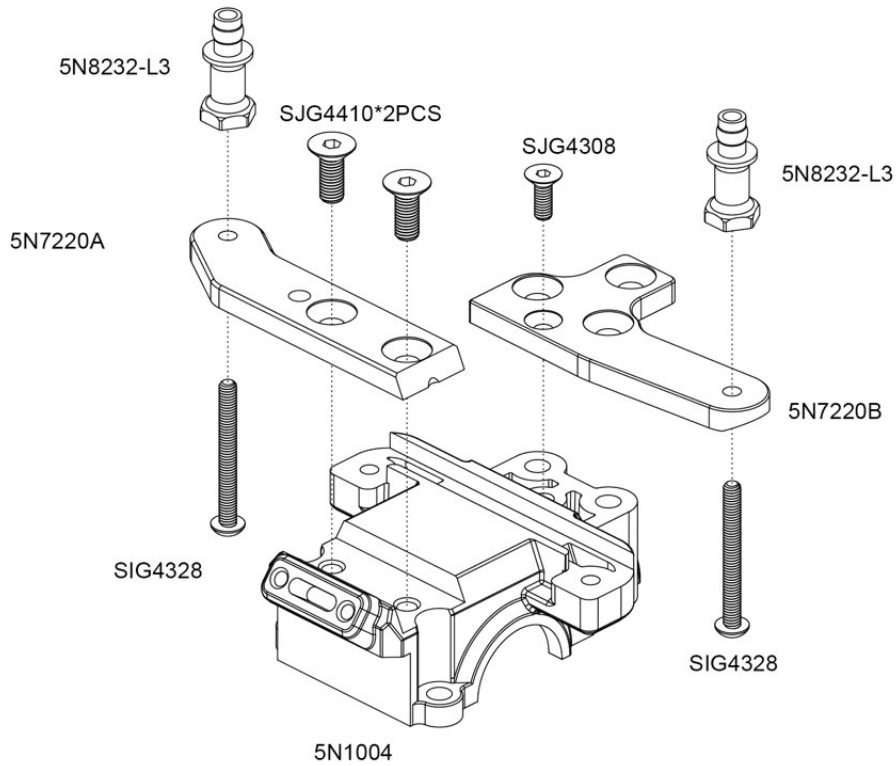
STEP C-2

Front Spindle/Carrier & Suspension Arms Assembly (Left/Right)



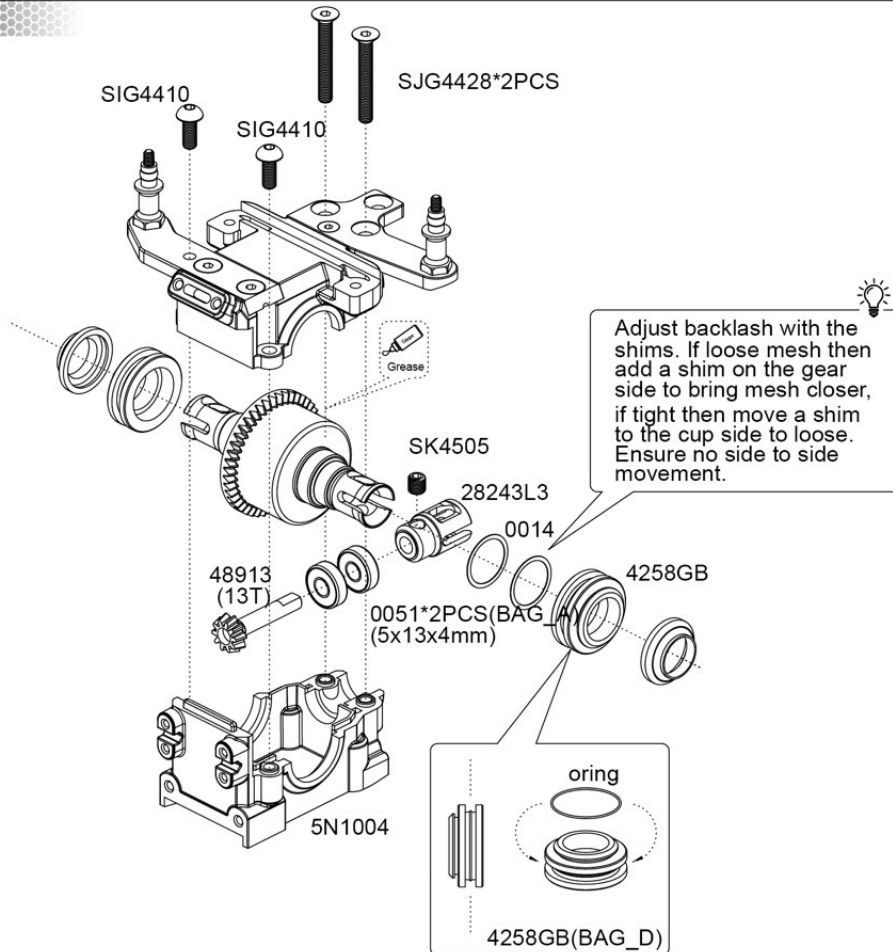
STEP D - 1

Front Diff Case/Shock Bracket Assembly



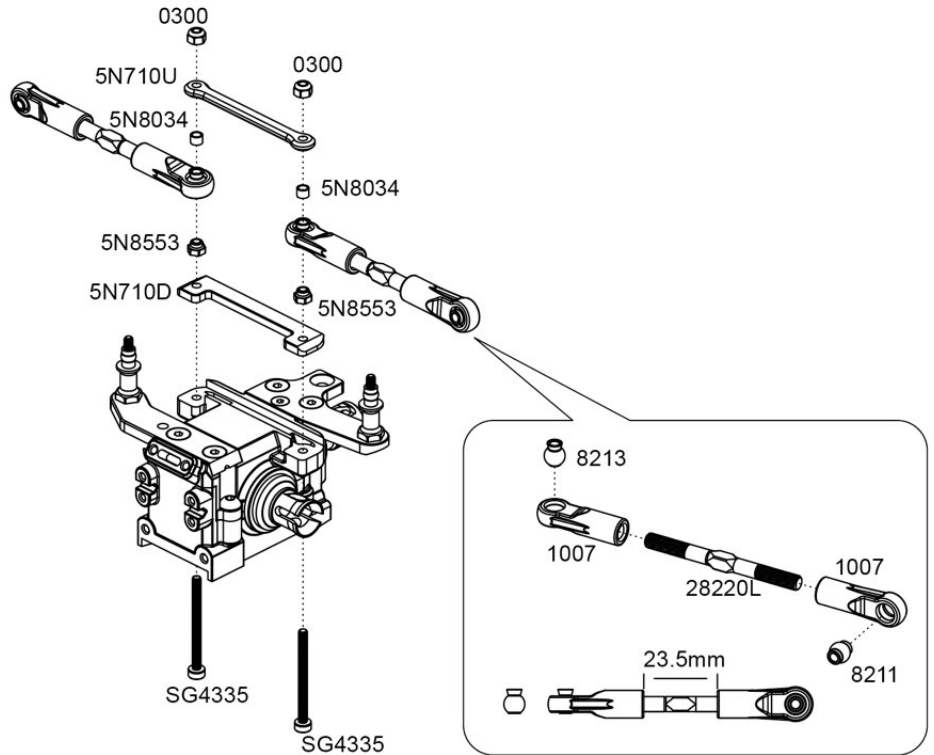
STEP D - 2

Front Diff Installation



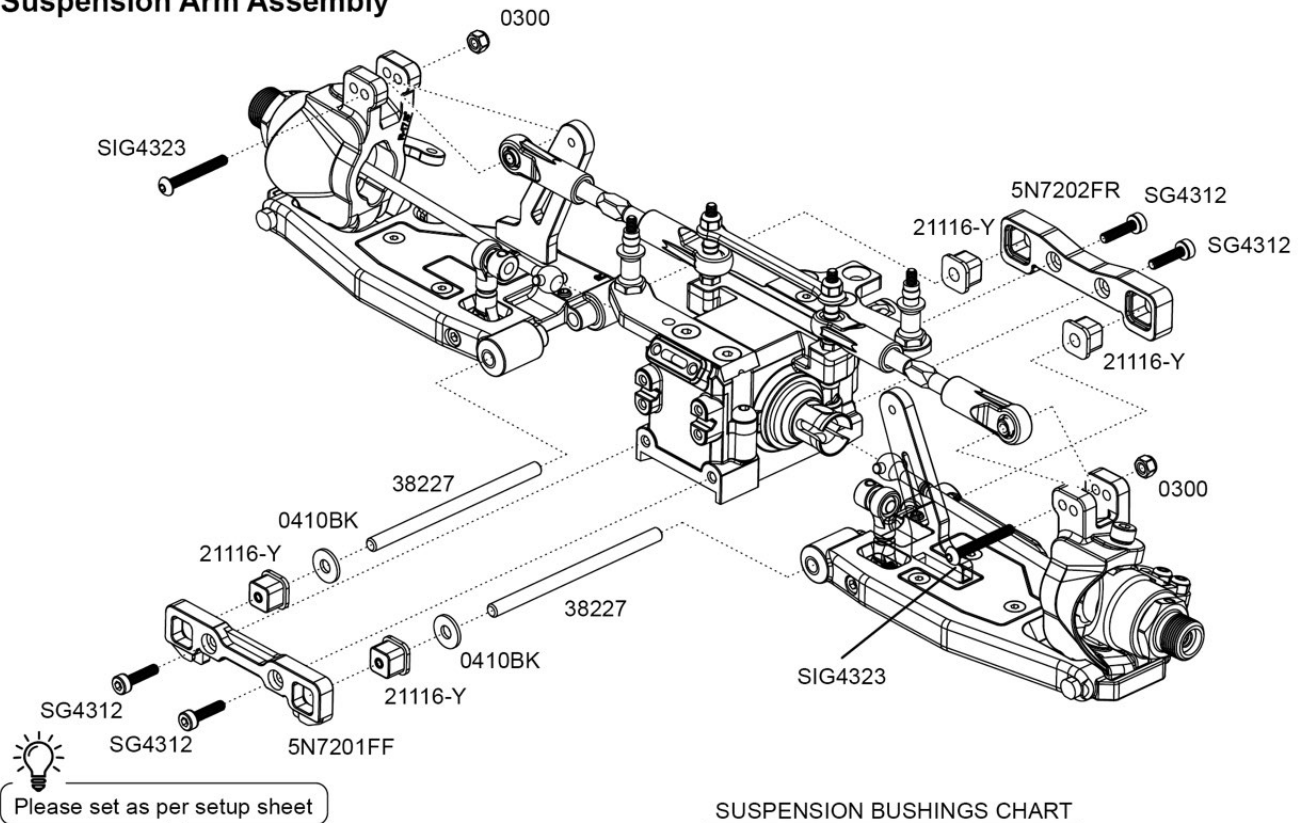
STEP D - 3

Front Camber Link Installation

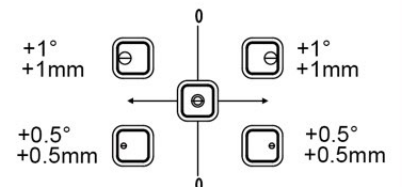
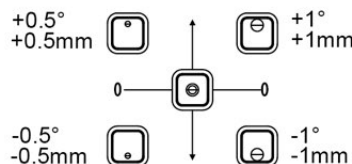
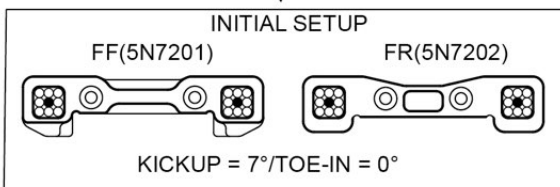


STEP D - 4

Front Suspension Arm Assembly

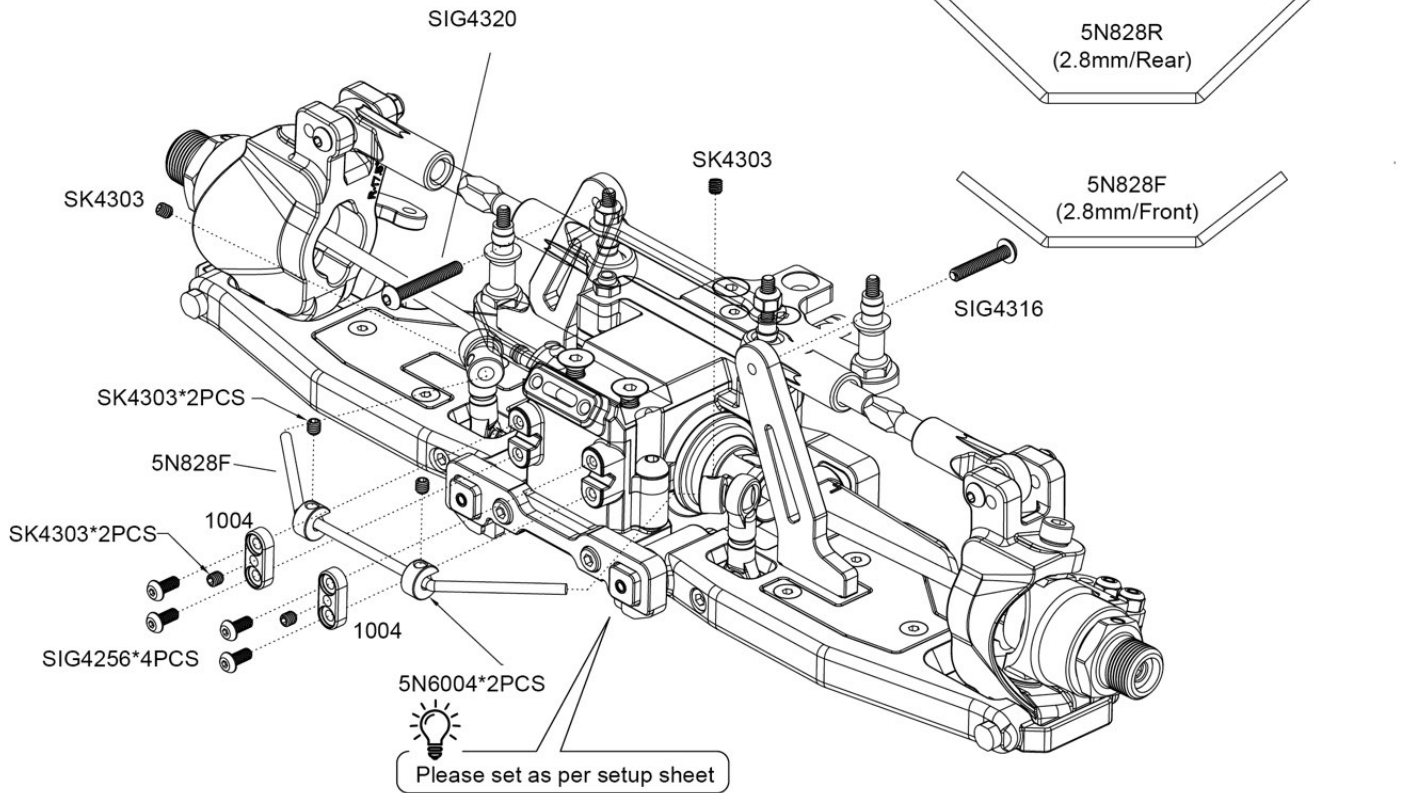


SUSPENSION BUSHINGS CHART



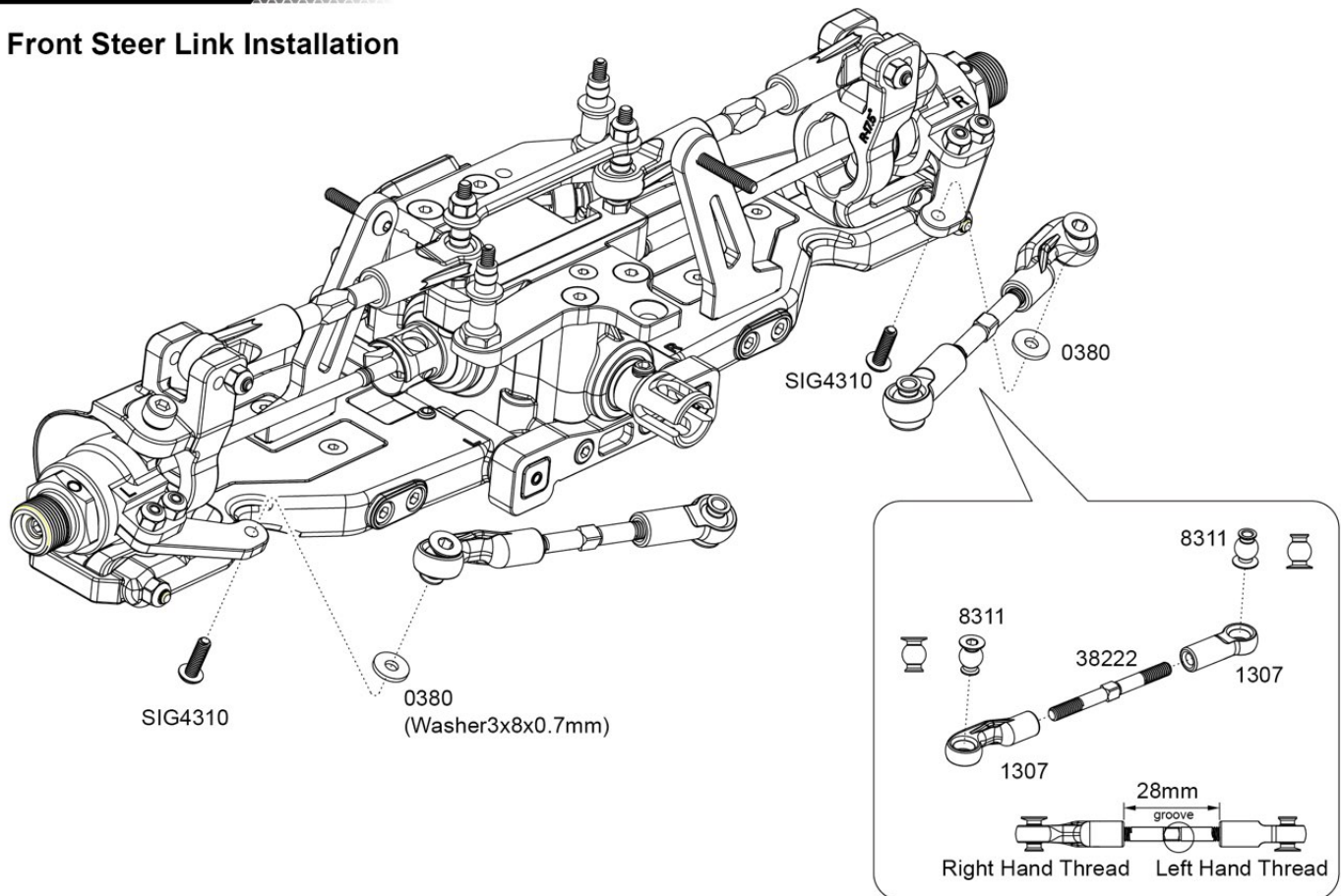
STEP D - 5

Front Swaybar/Shock Mounting Screws Assembly



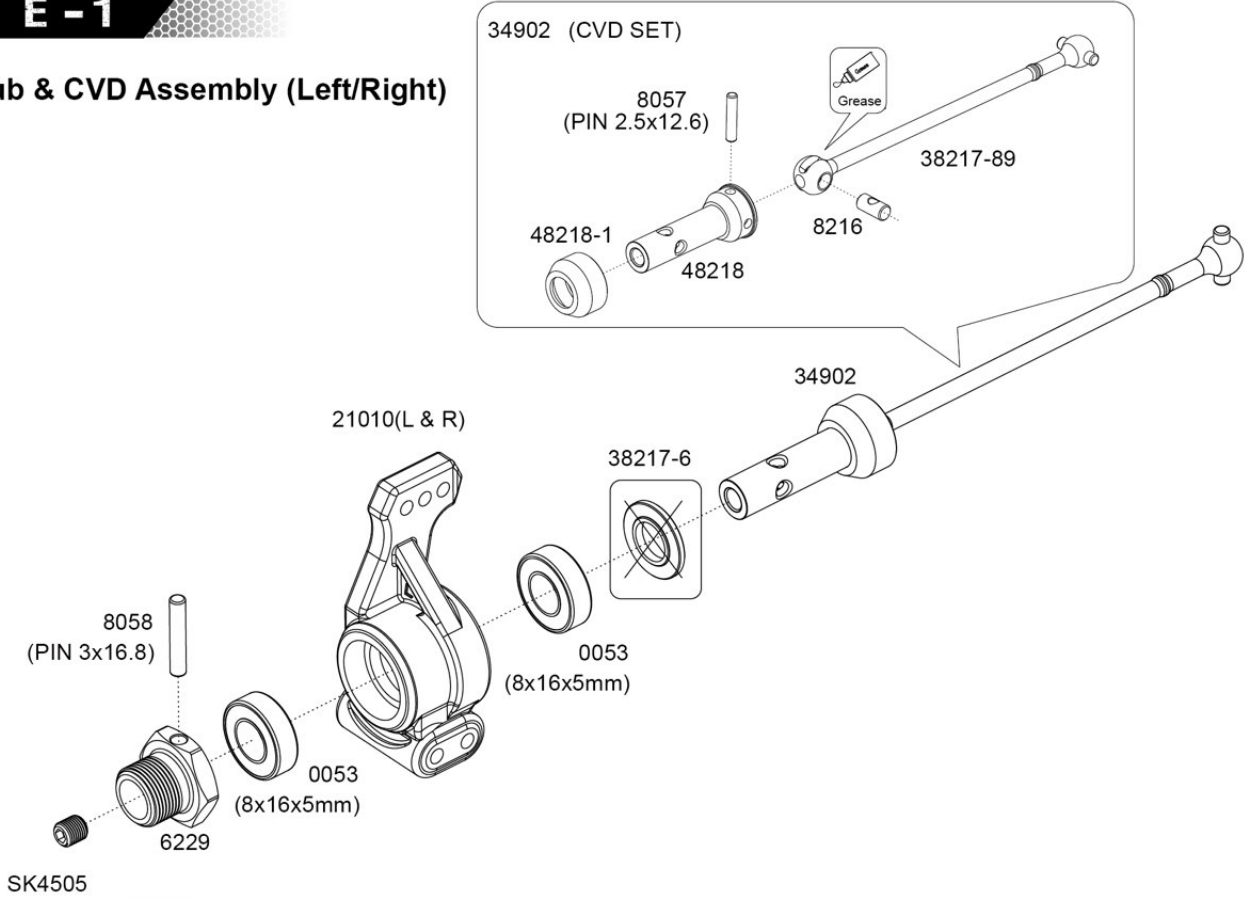
STEP D - 6

Front Steer Link Installation



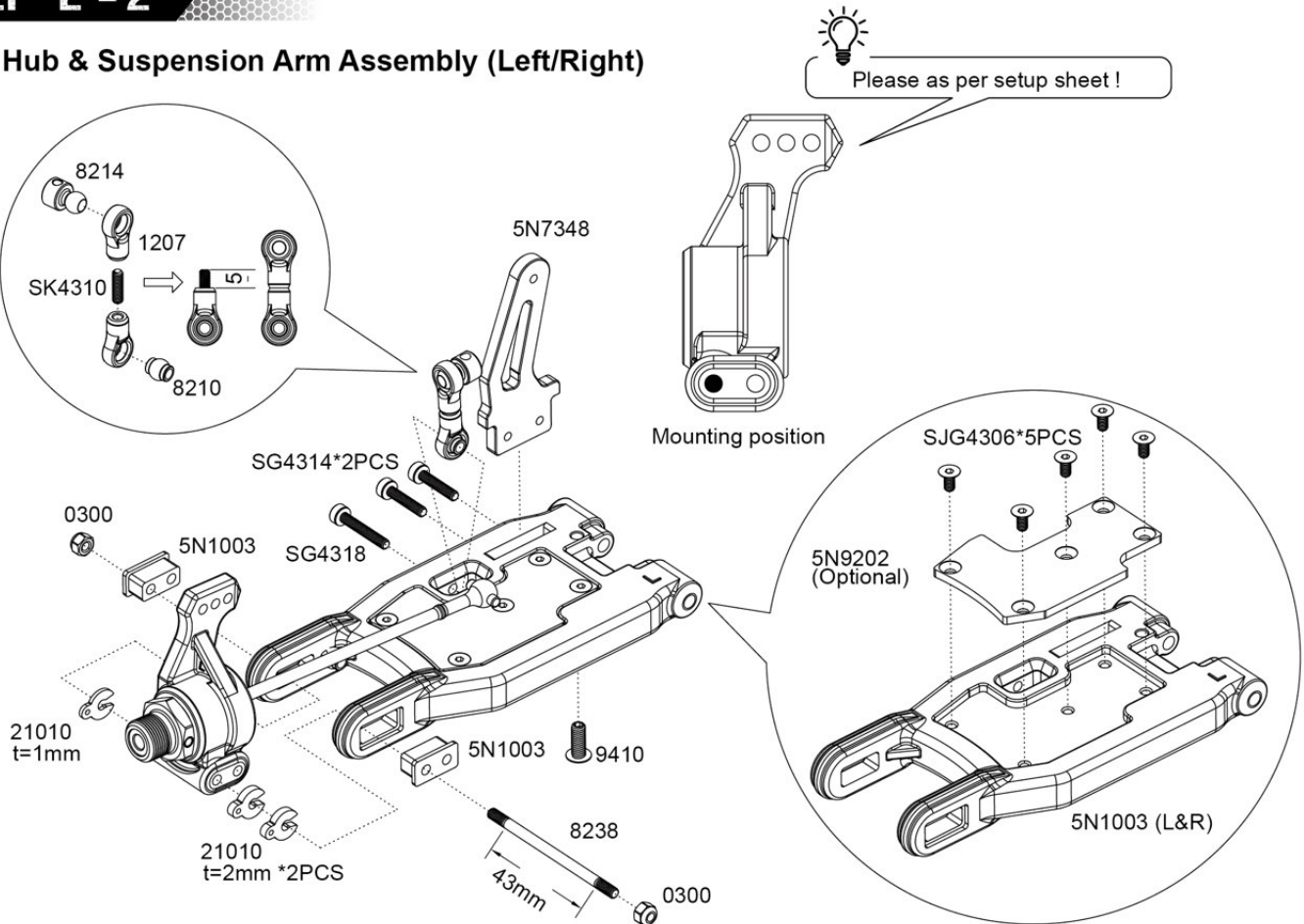
STEP E - 1

Rear Hub & CVD Assembly (Left/Right)



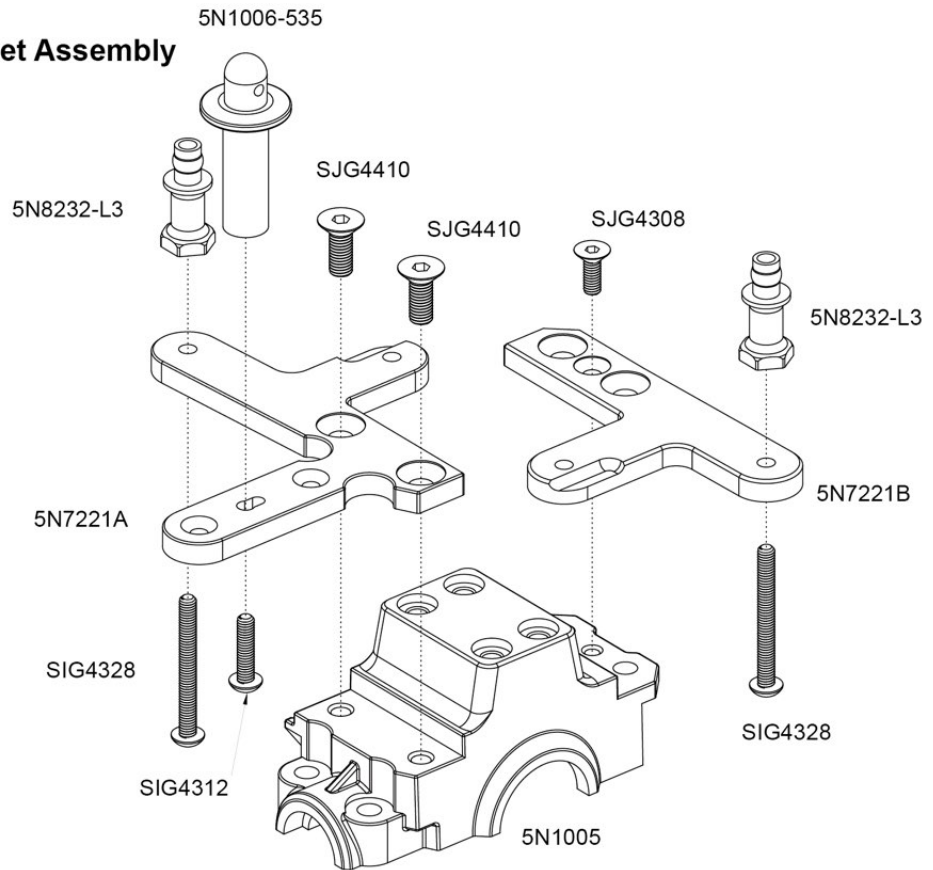
STEP E - 2

Rear Hub & Suspension Arm Assembly (Left/Right)



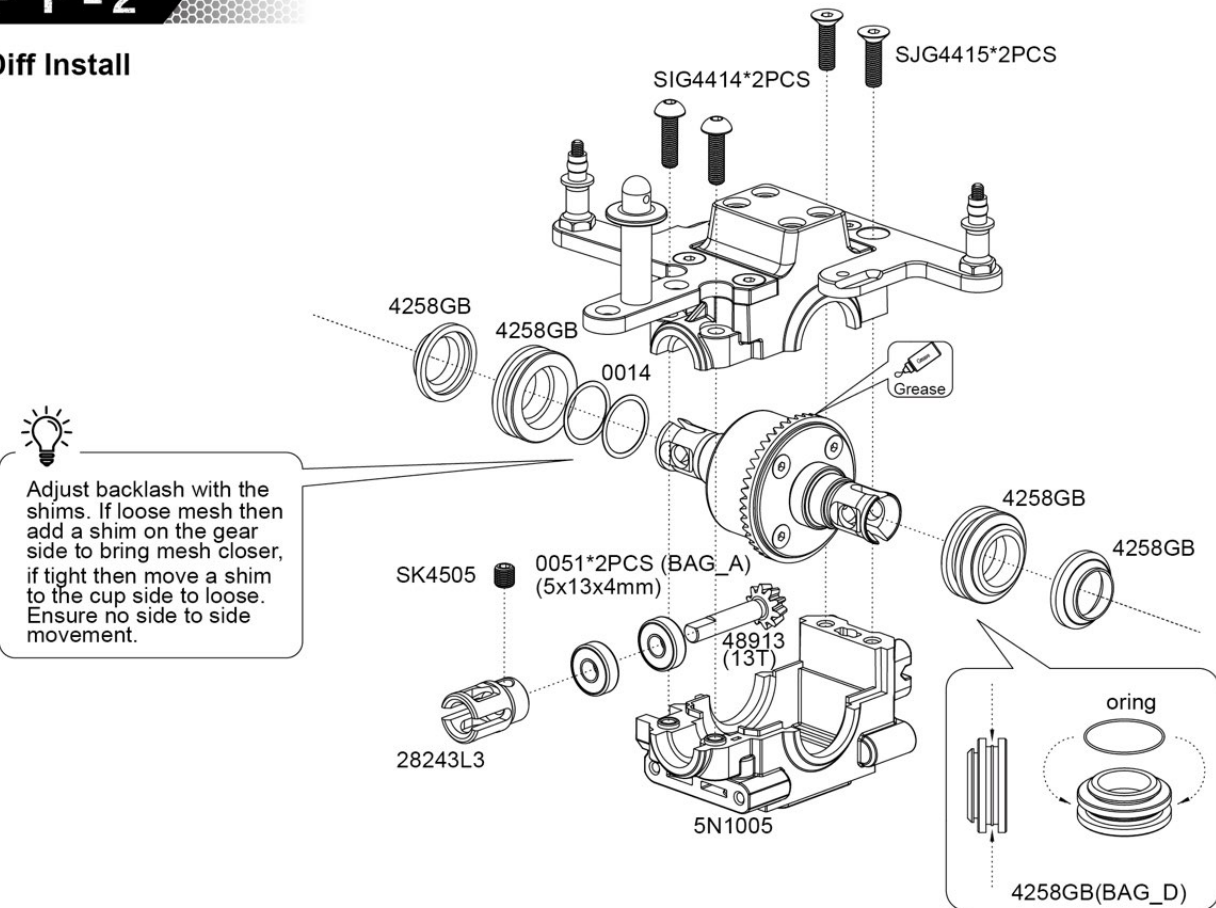
STEP F - 1

Rear Diff Case / Shock Bracket Assembly



STEP F - 2

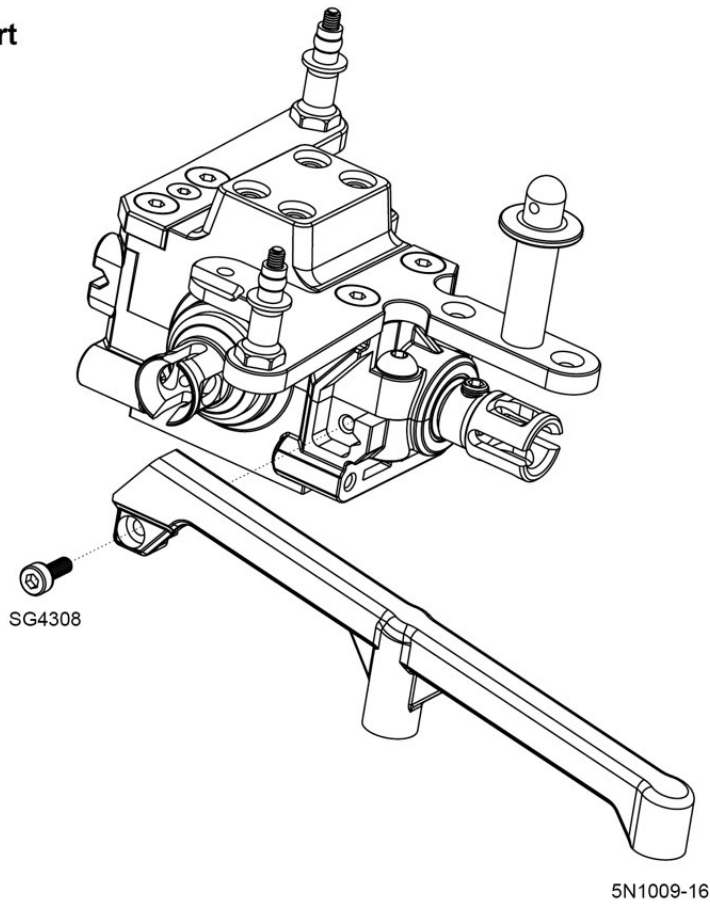
Rear Diff Install



 Adjust backlash with the shims. If loose mesh then add a shim on the gear side to bring mesh closer, if tight then move a shim to the cup side to loose. Ensure no side to side movement.

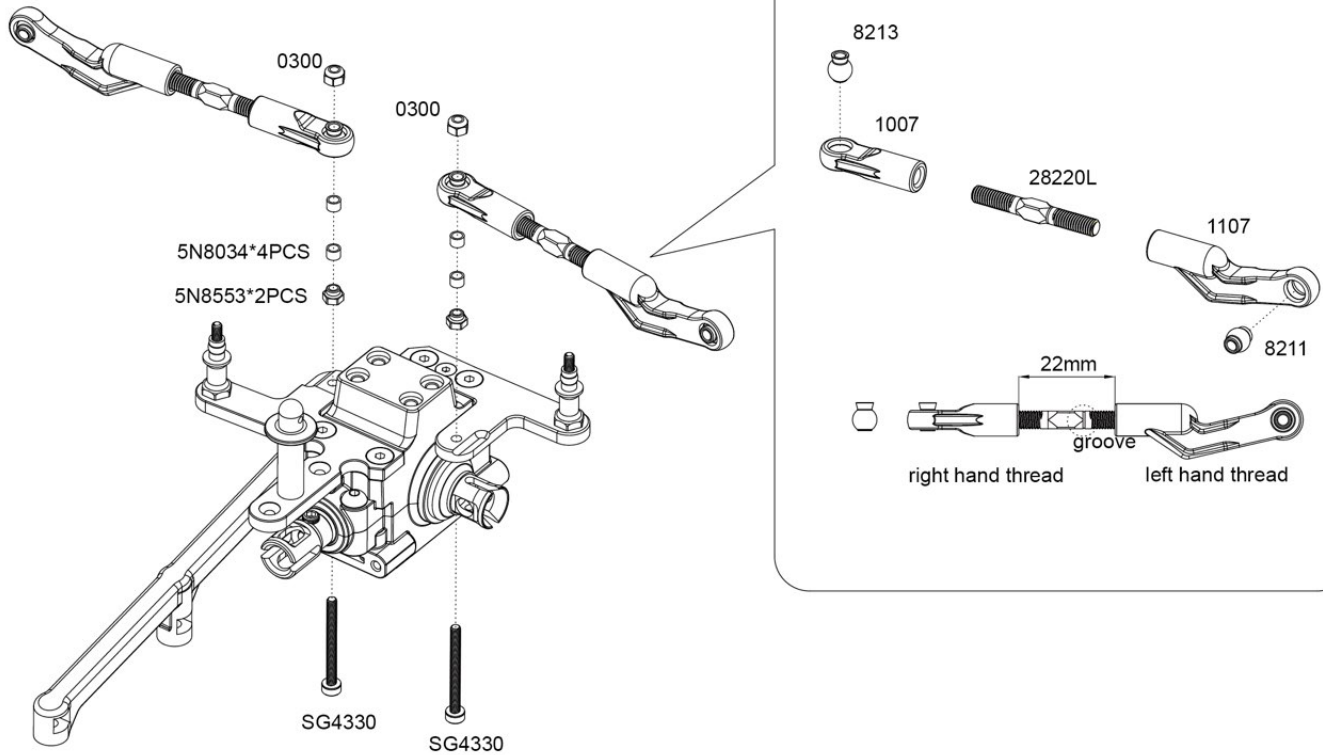
STEP F - 3

Rear Chassis Support



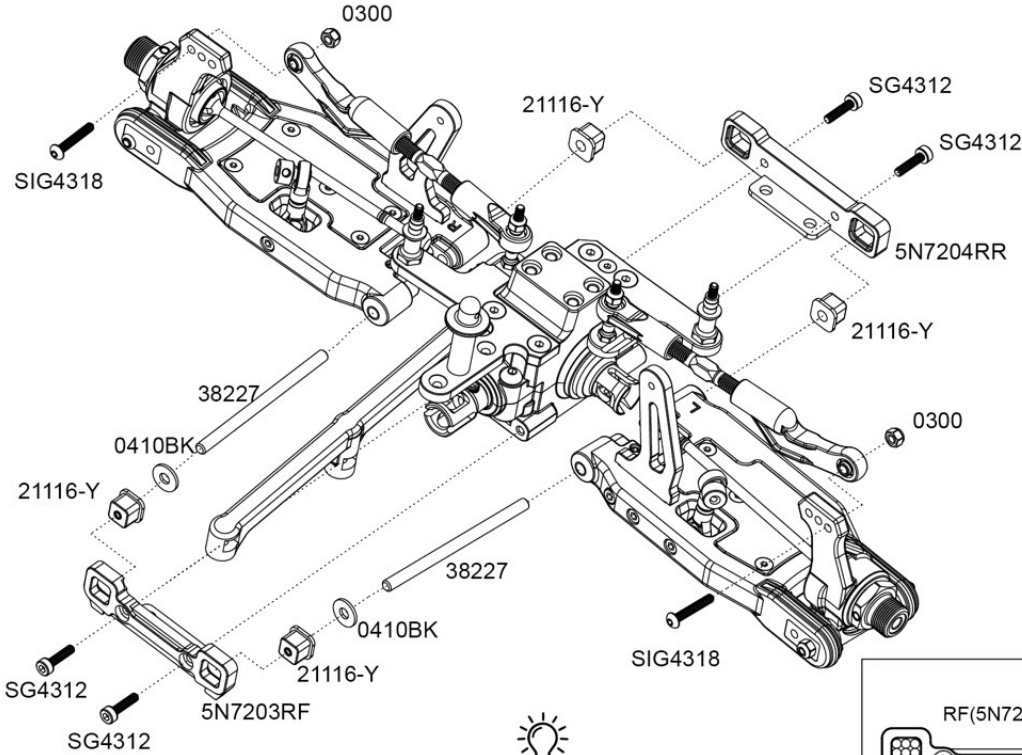
STEP F - 4

Rear Camber Link Install



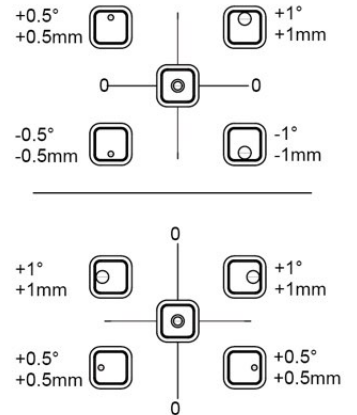
STEP F - 5

Rear Hubs & Suspension Arm Assembly (Left/Right)



Mounting Position

SUSPENSION BUSHINGS CHART

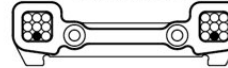


Please set as per setup sheet

INITIAL SETUP

RF(5N7203RF)

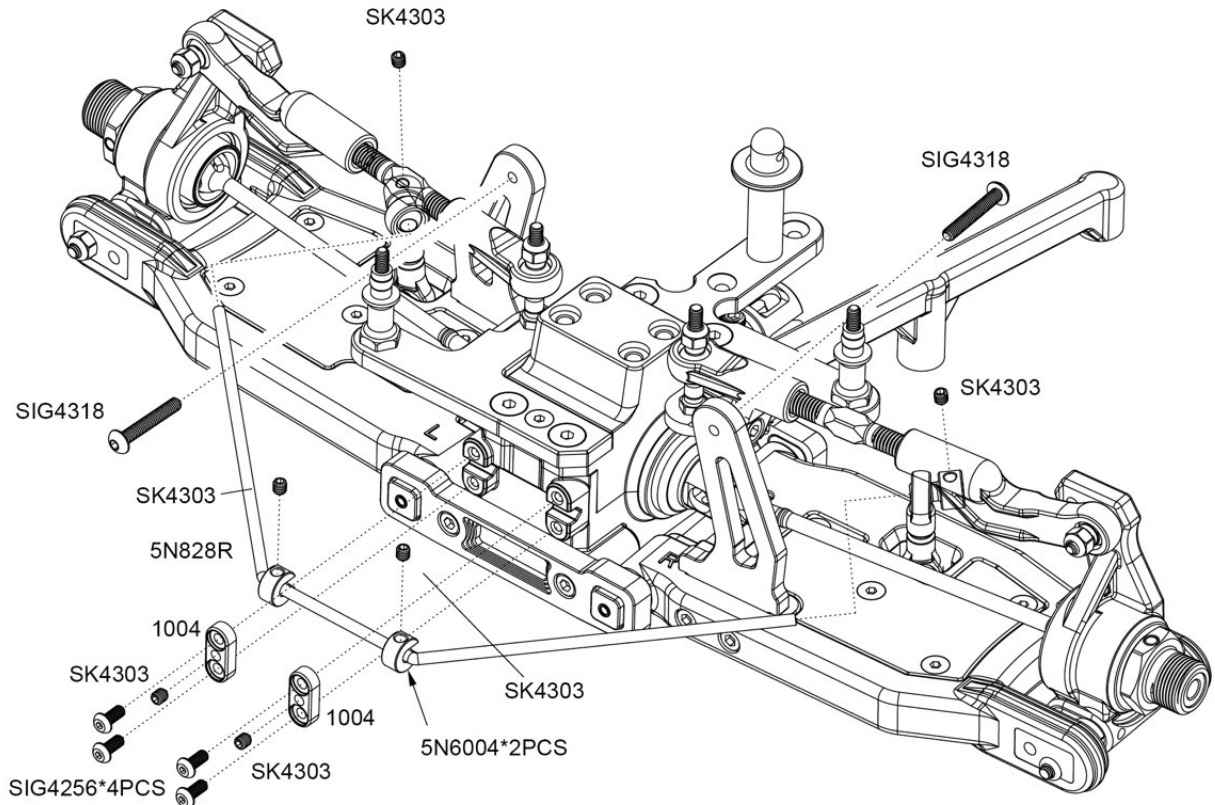
RR(5N7204RR)



ANTISQUAT = 1° / TOE IN = 3°

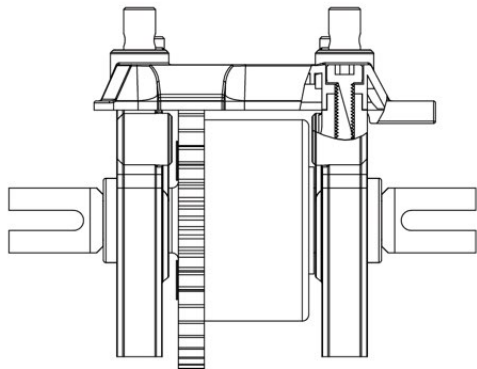
STEP F - 6

Rear Swaybar/Shock Mounting Screw Assembly

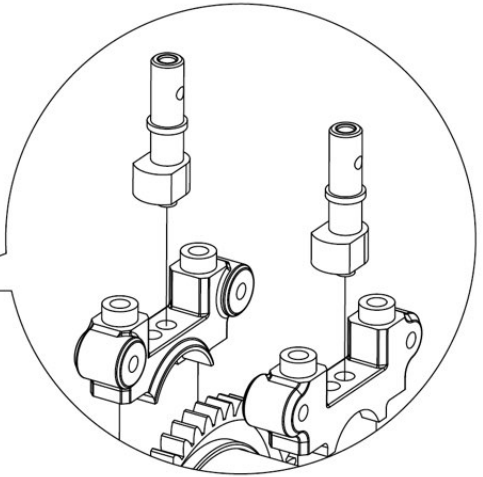
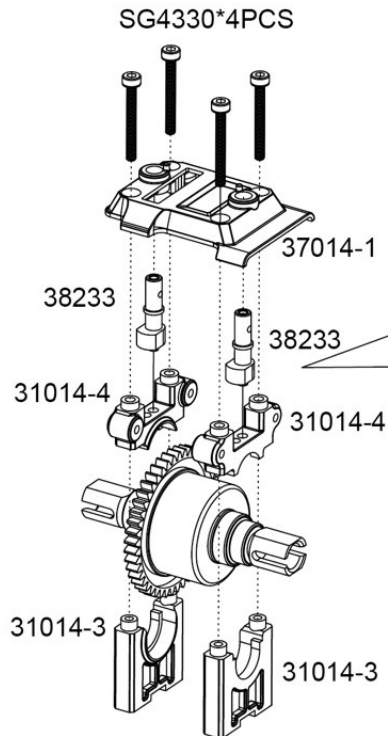


STEP G - 1

Center Diff Mount & Front Brake Assembly

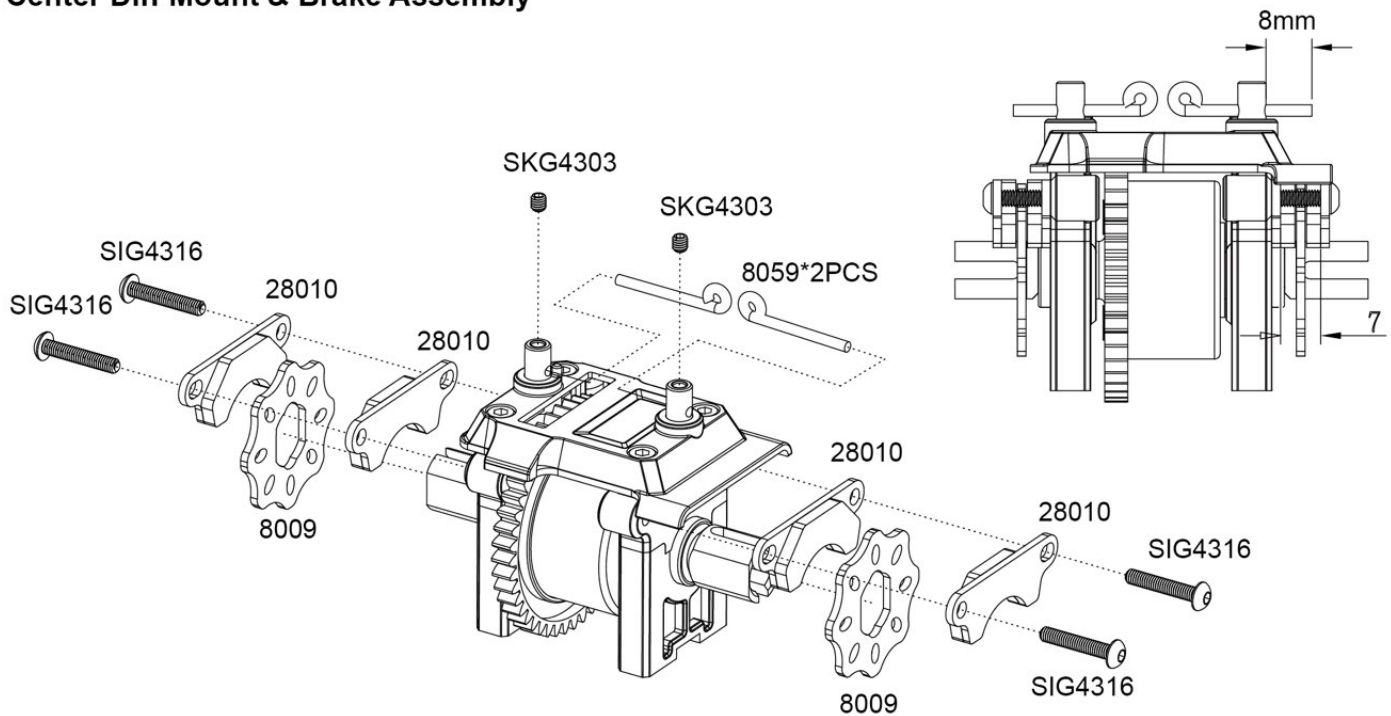


Please tighten the screws until they are flush with the top plastic plate, do not overtighten. Ensure free movement of brake cams.



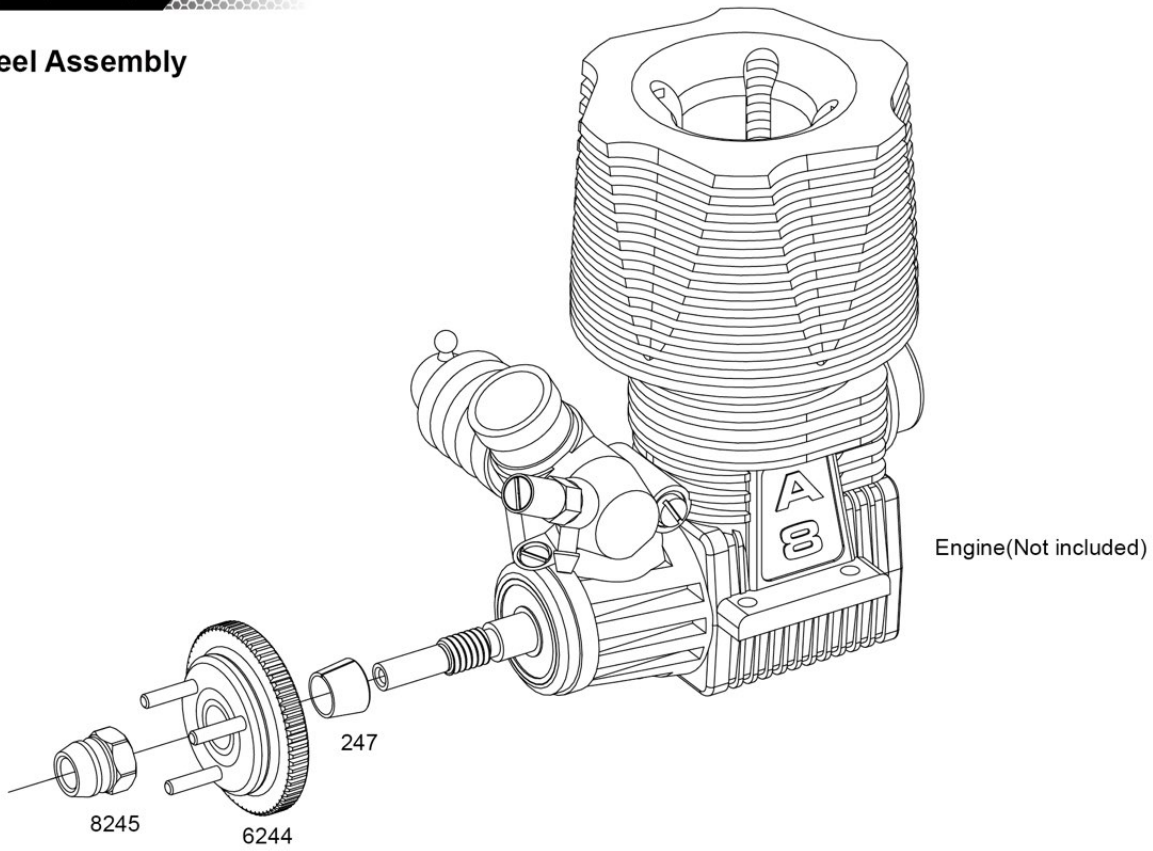
STEP G - 2

Center Diff Mount & Brake Assembly



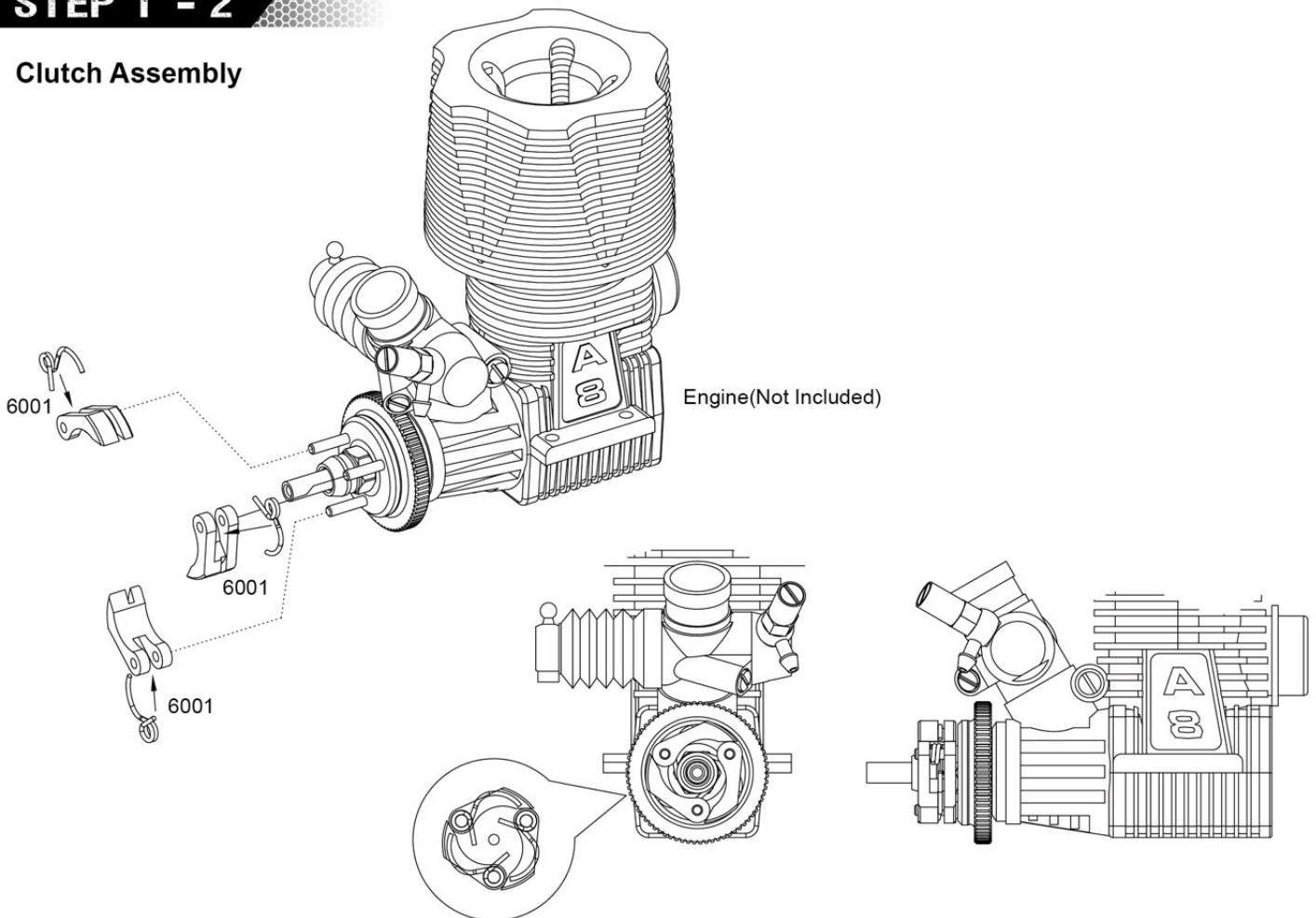
STEP 1 - 1

Flywheel Assembly



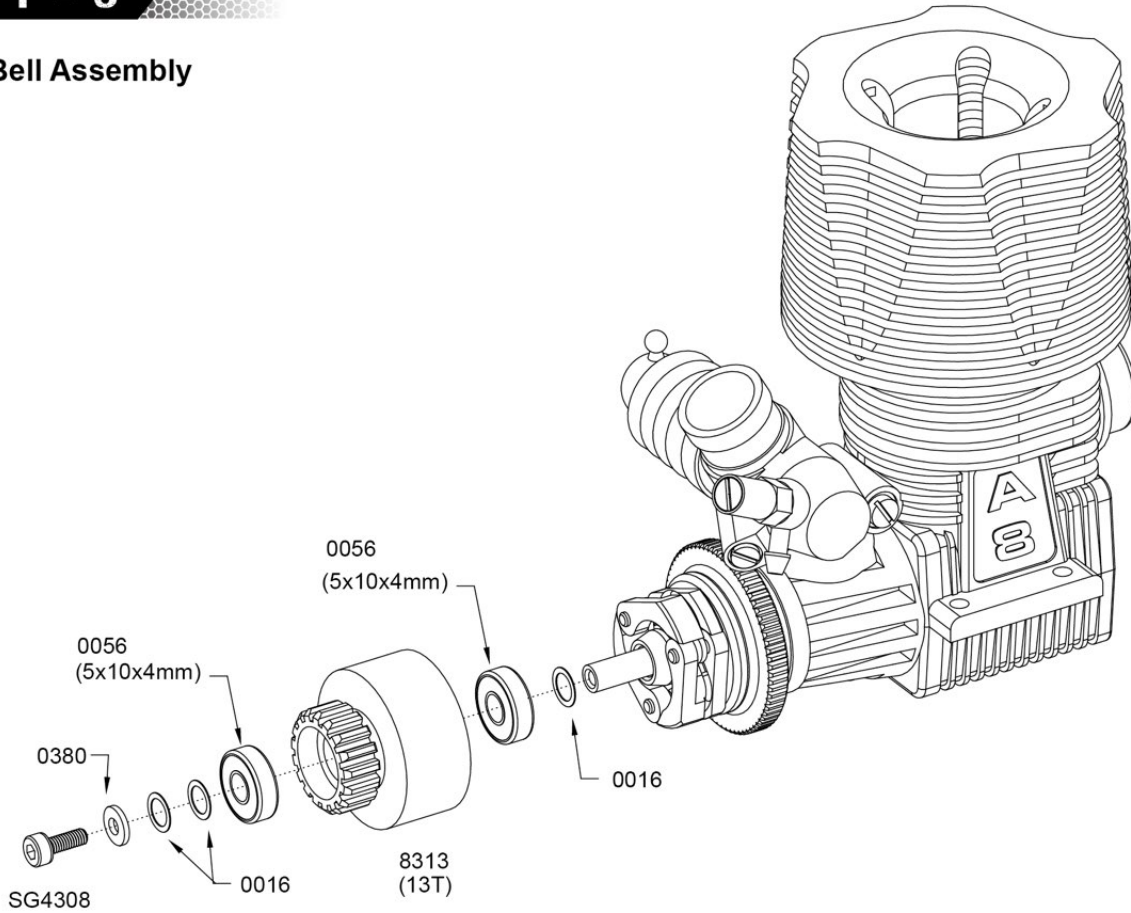
STEP 1 - 2

Clutch Assembly



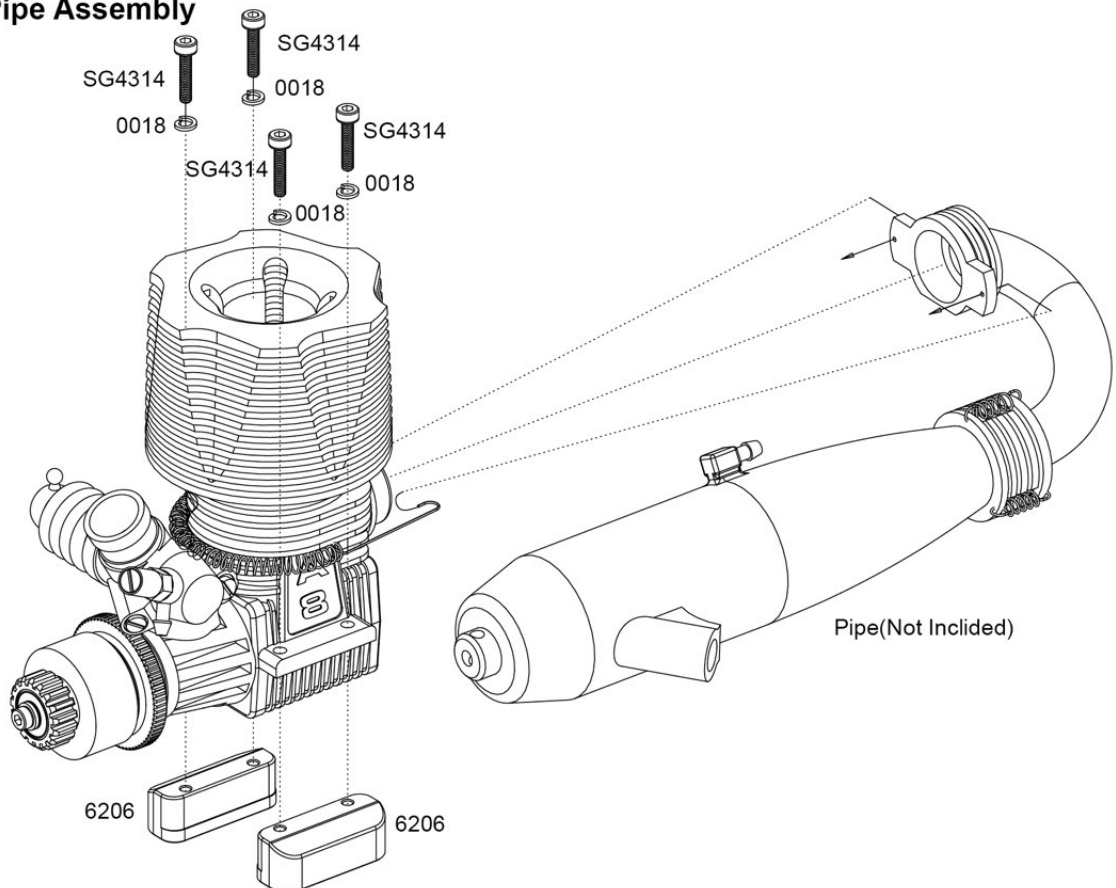
STEP I - 3

Clutch Bell Assembly



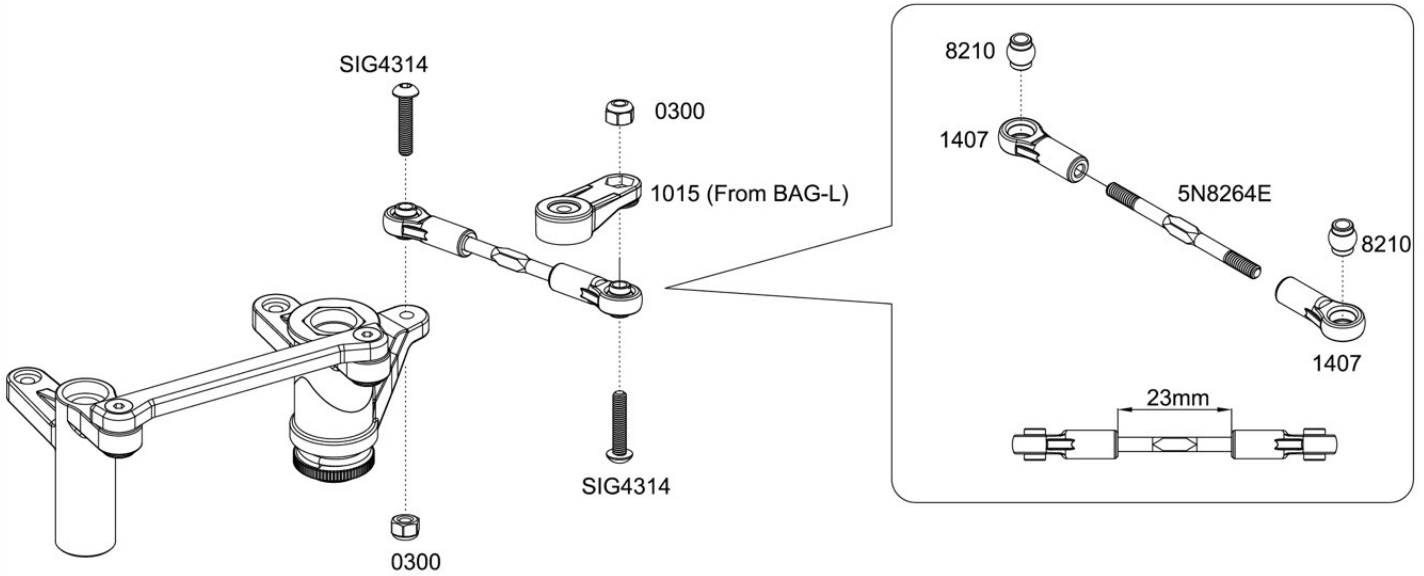
STEP I - 4

Engine Mount & Pipe Assembly



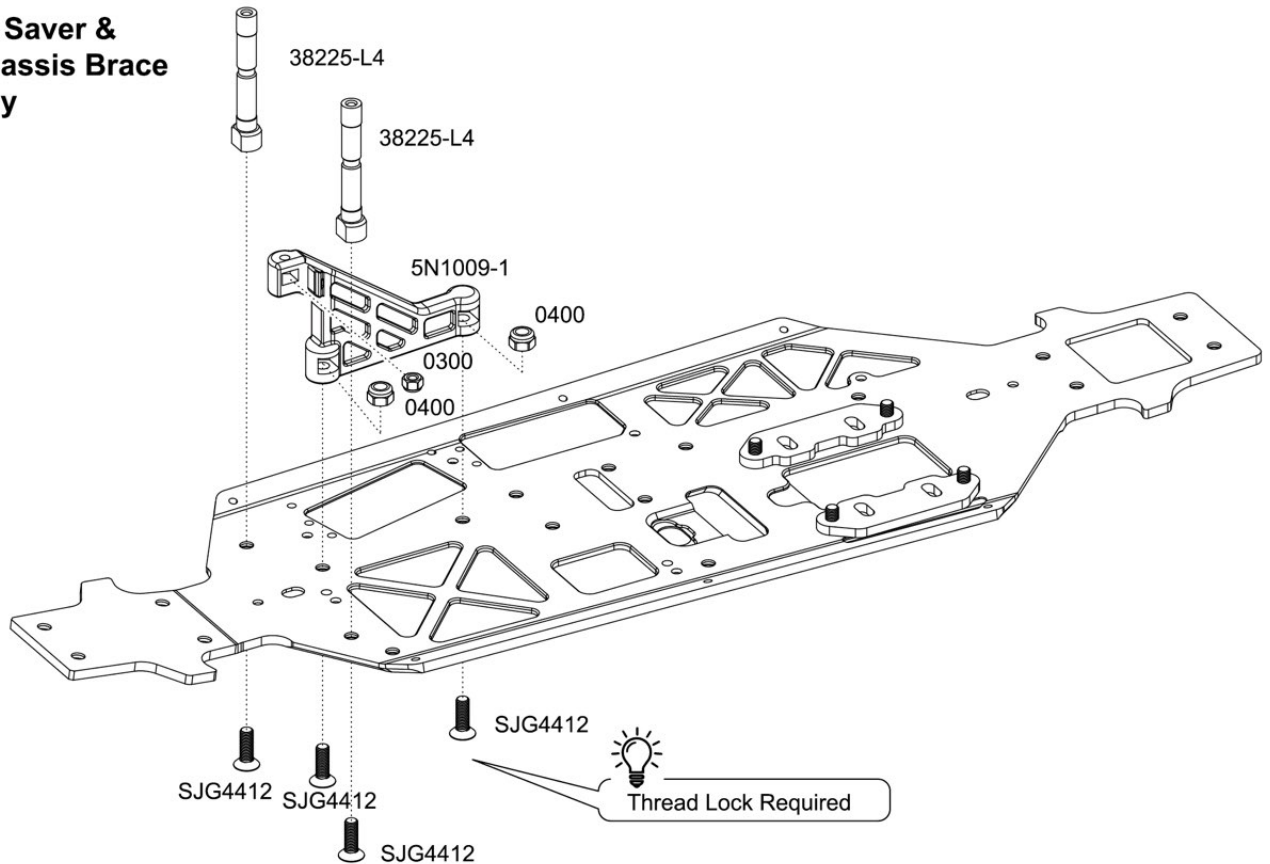
STEP J-2

Steering Servo Link Assembly



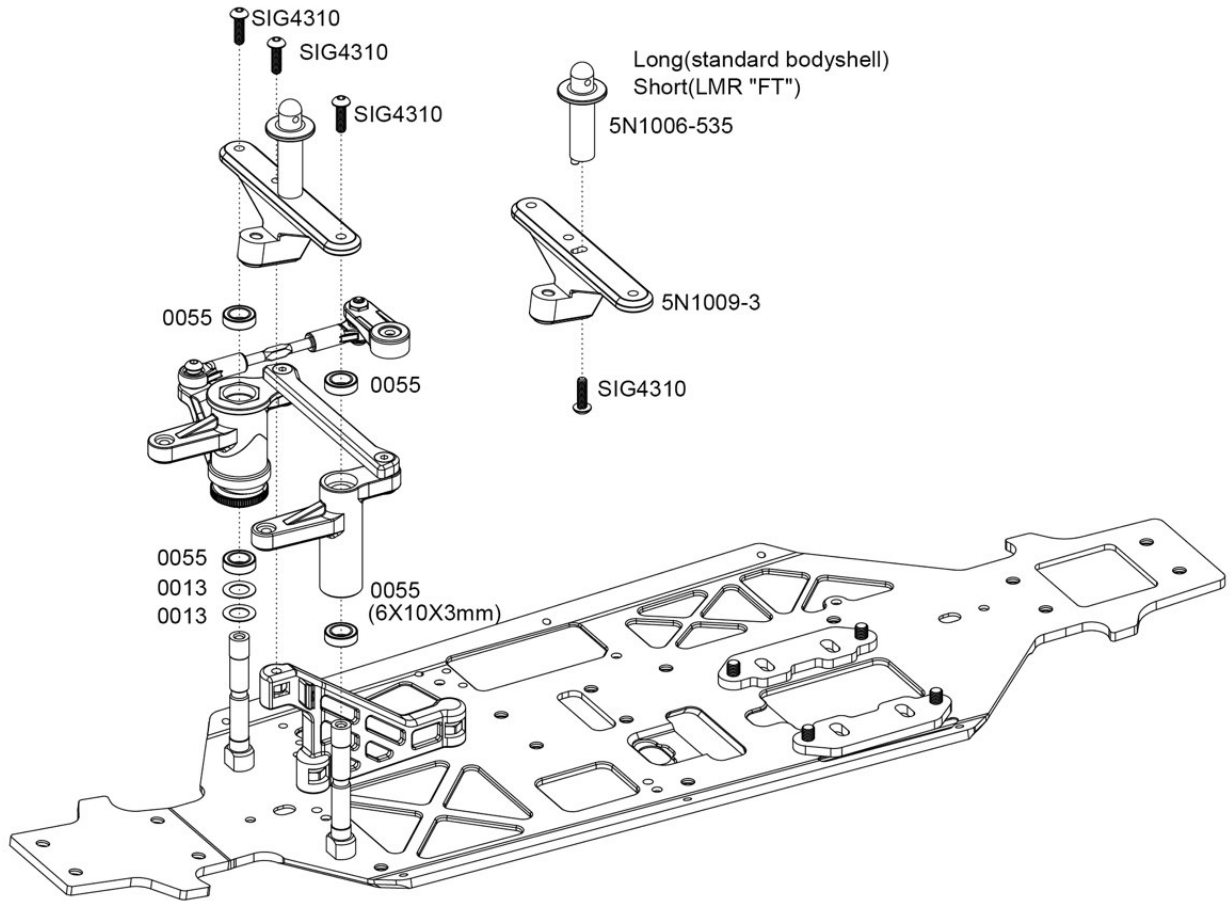
STEP J-3

Steering Saver & Front Chassis Brace Assembly



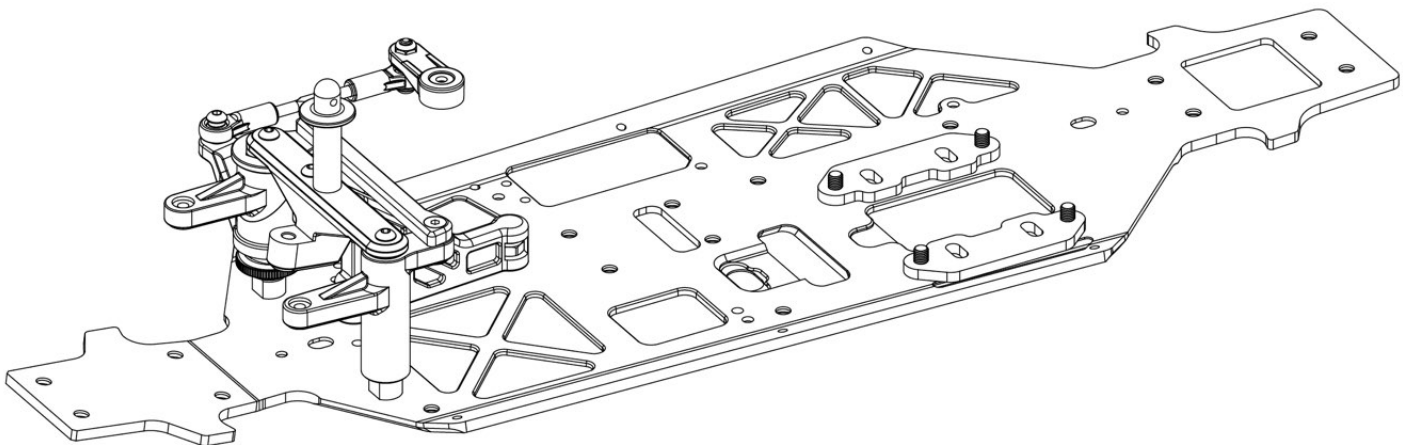
STEP J-4

Steering Saver & Front Chassis Brace Assembly



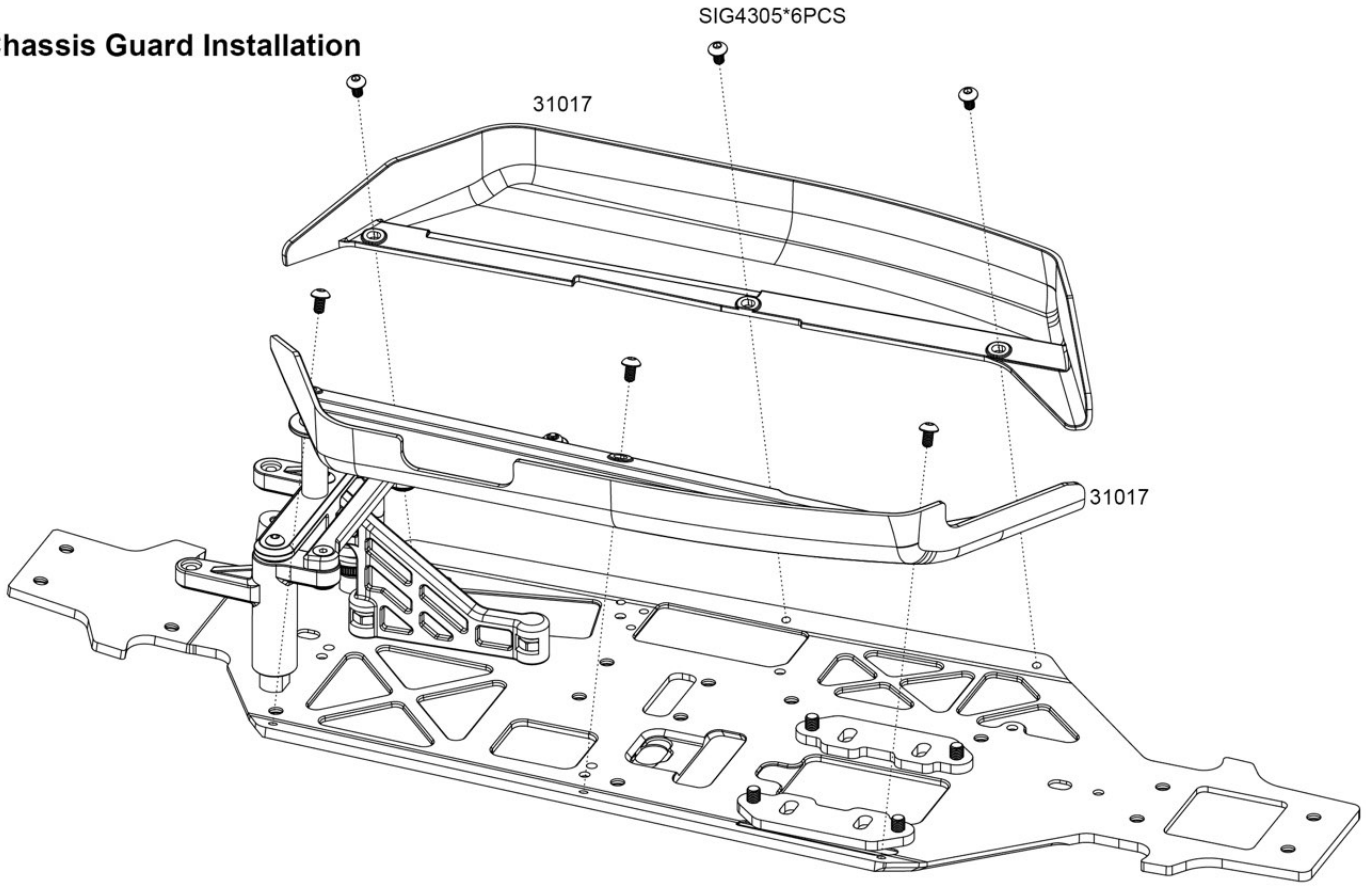
STEP J-5

Completed Steering Assembly



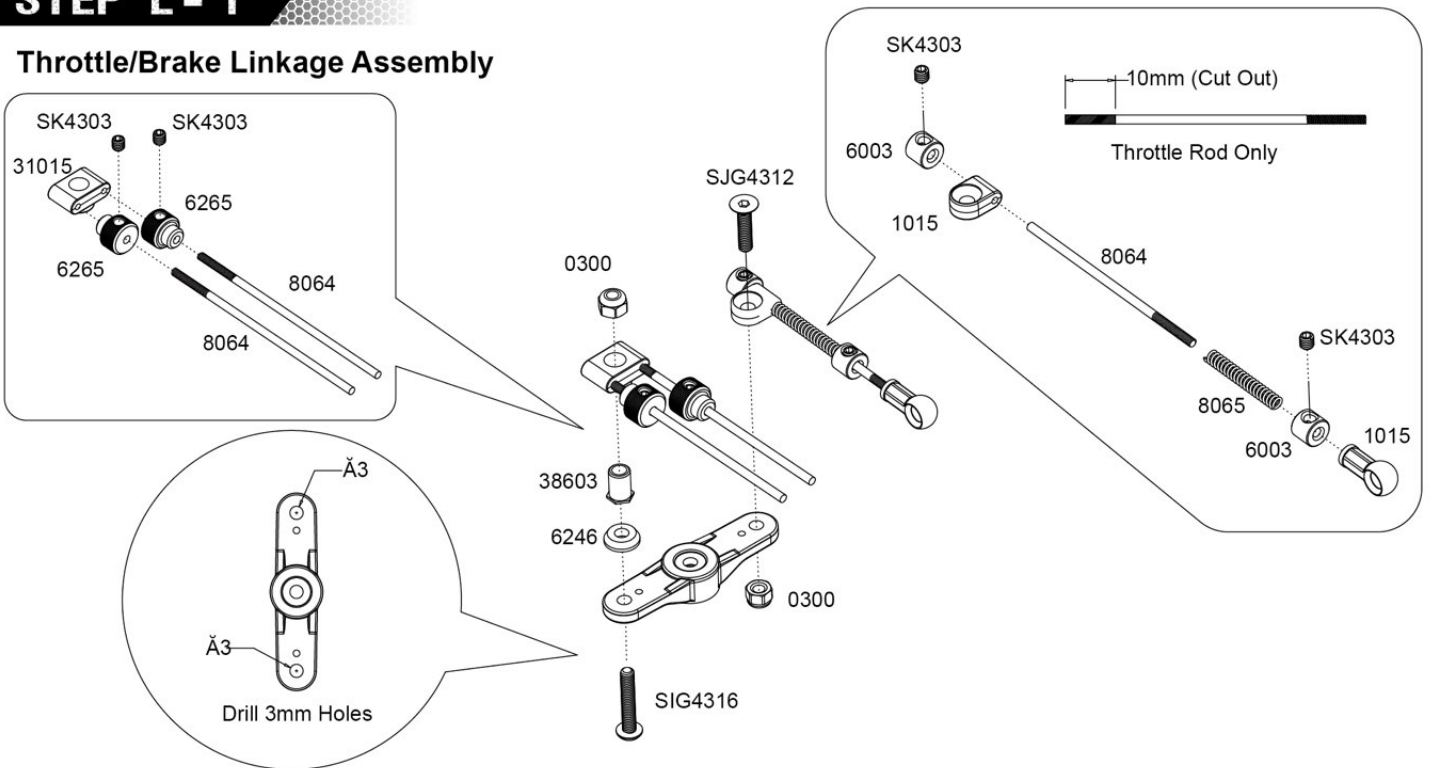
STEP K-1

Chassis Guard Installation



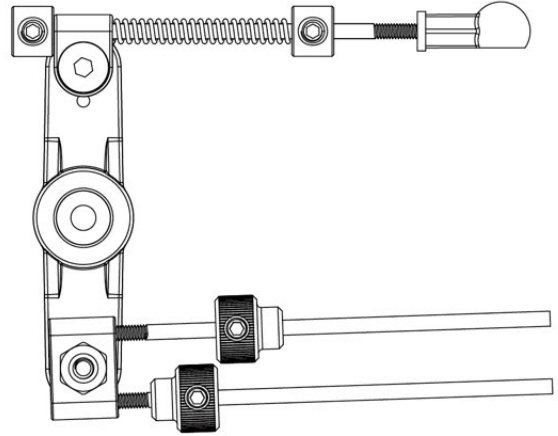
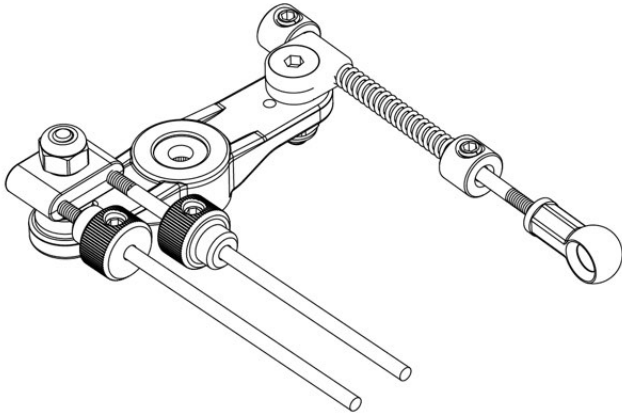
STEP L-1

Throttle/Brake Linkage Assembly



STEP L-2

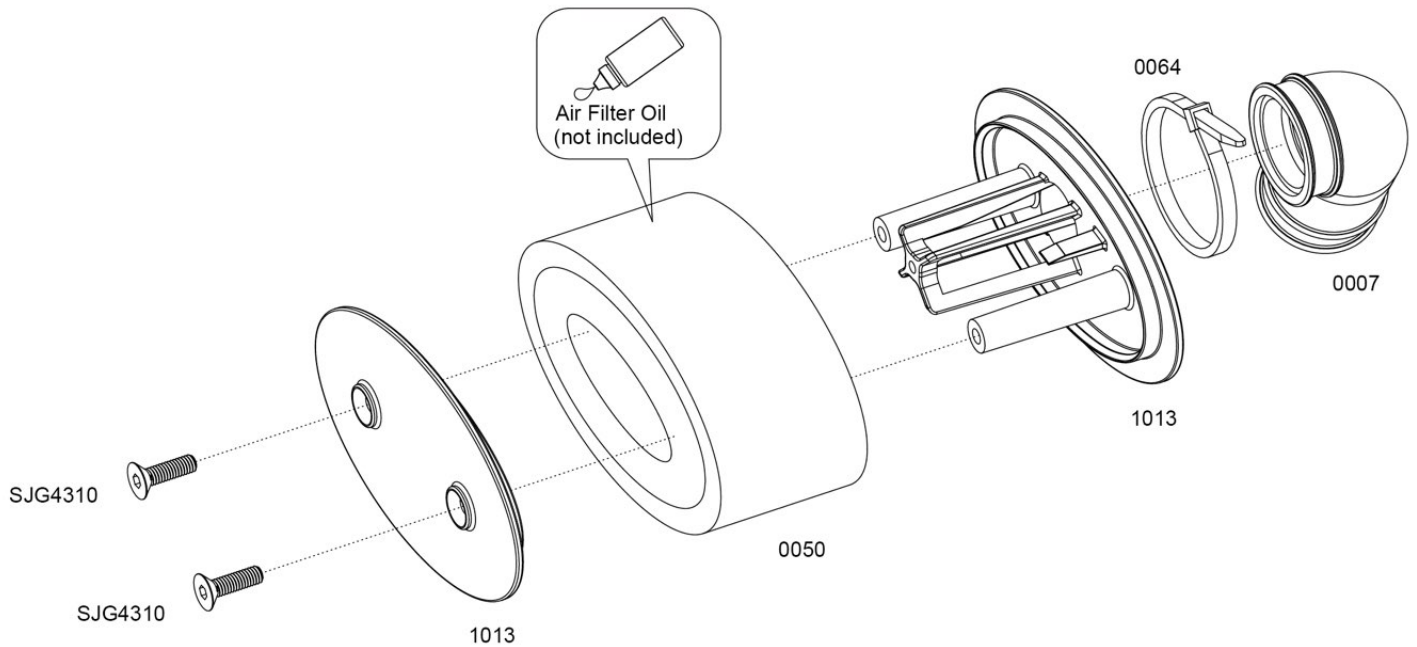
Completed Throttle/Brake Linkage Assembly



BAG M

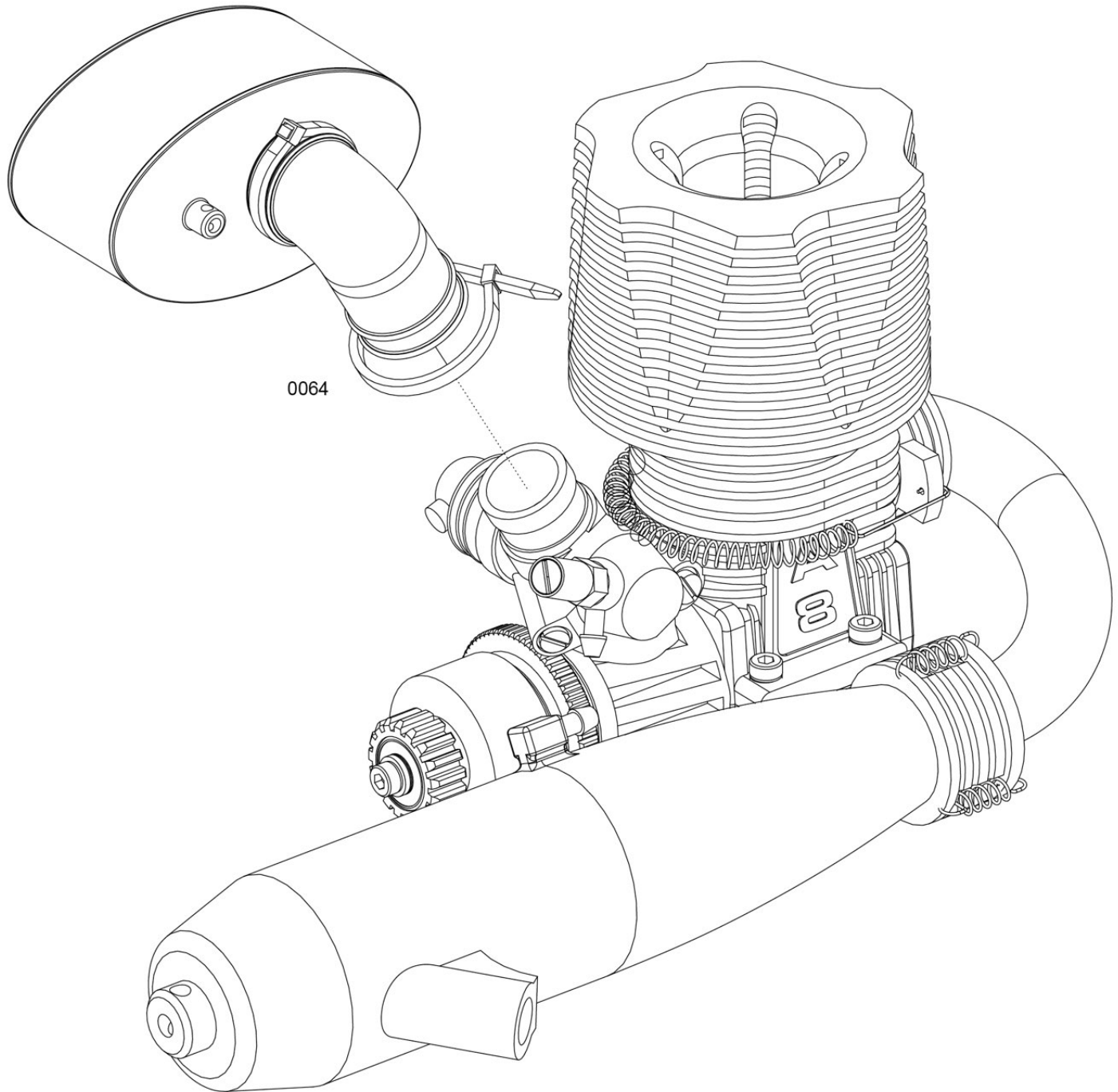
STEP M-1

Air Filter Assembly



STEP M-2

Air Filter Assembly

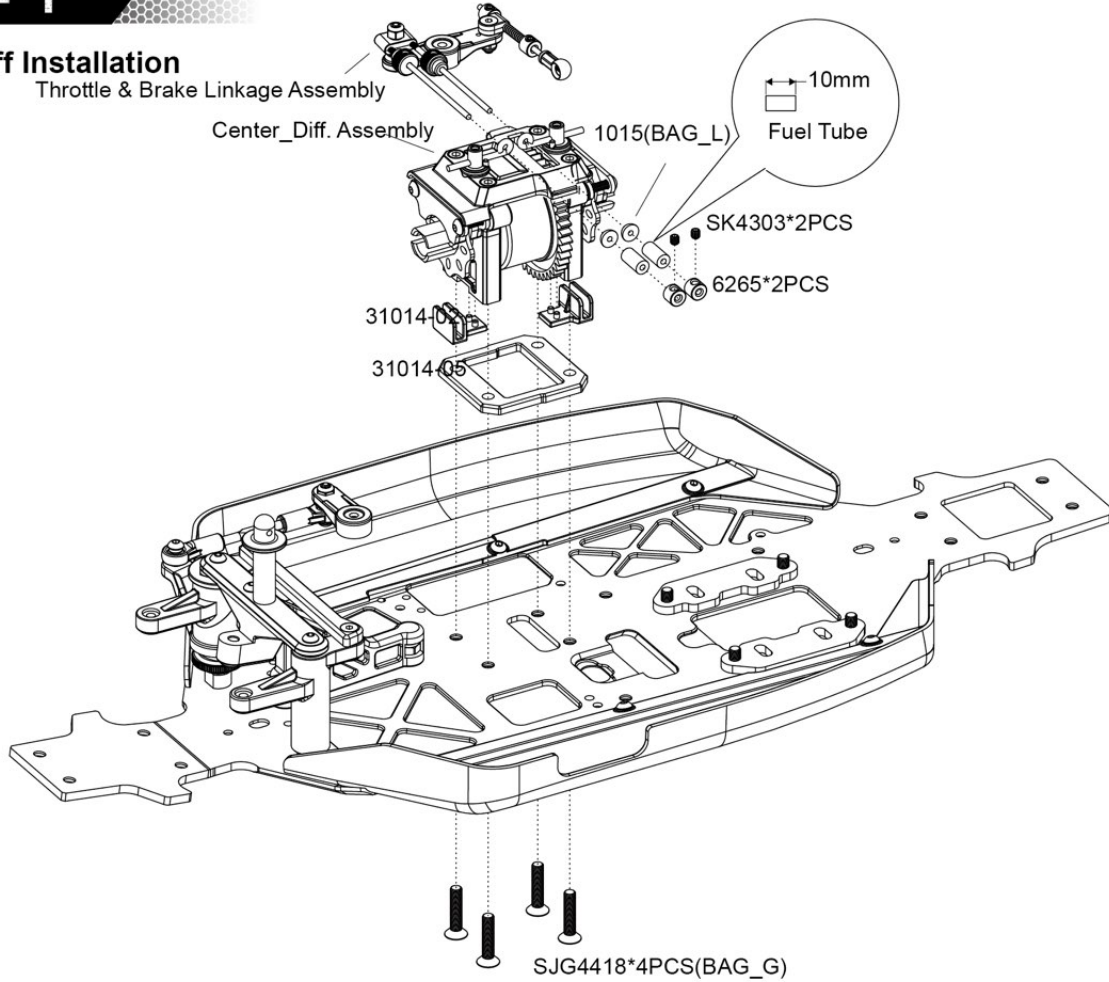


0064

STEP - 1

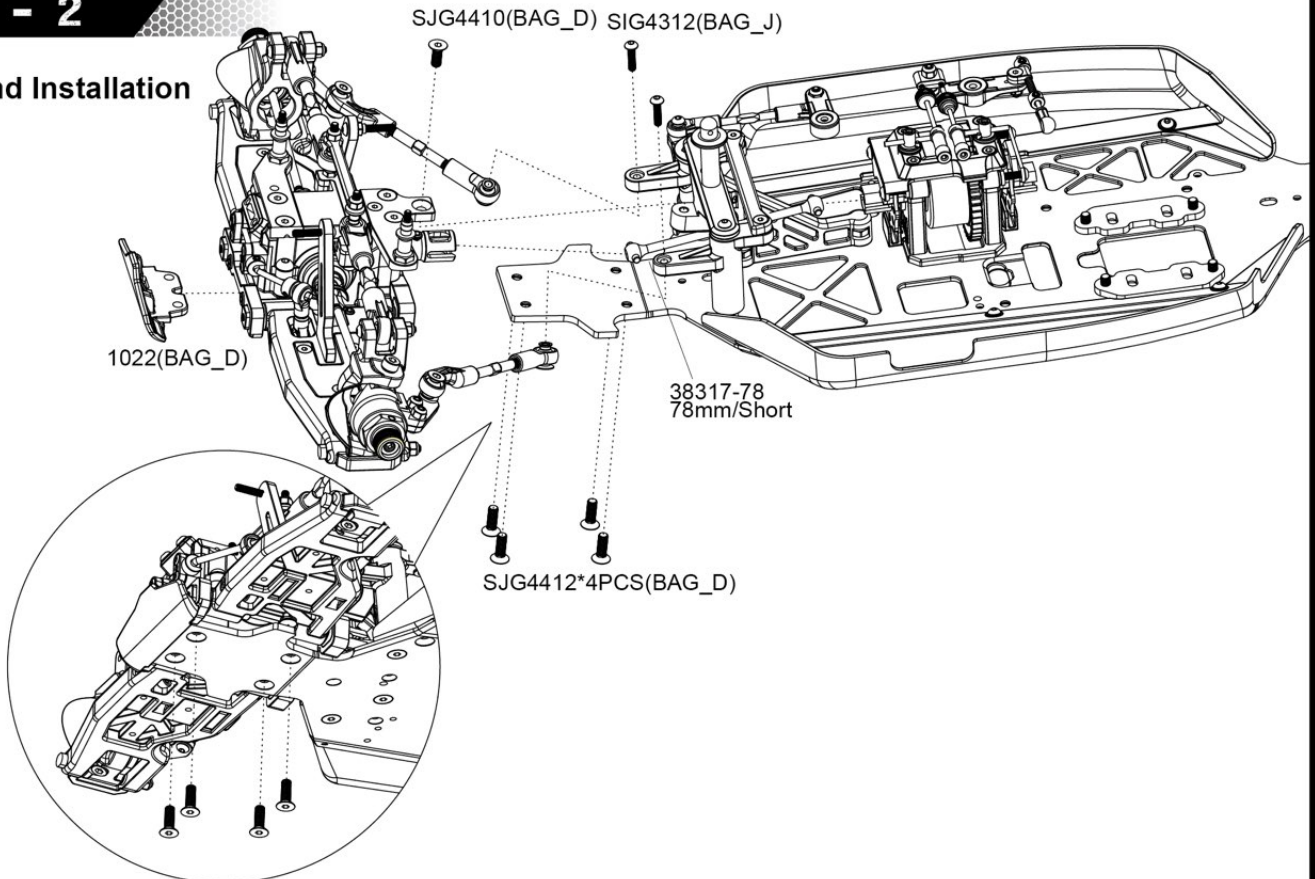
Center Diff Installation

Throttle & Brake Linkage Assembly



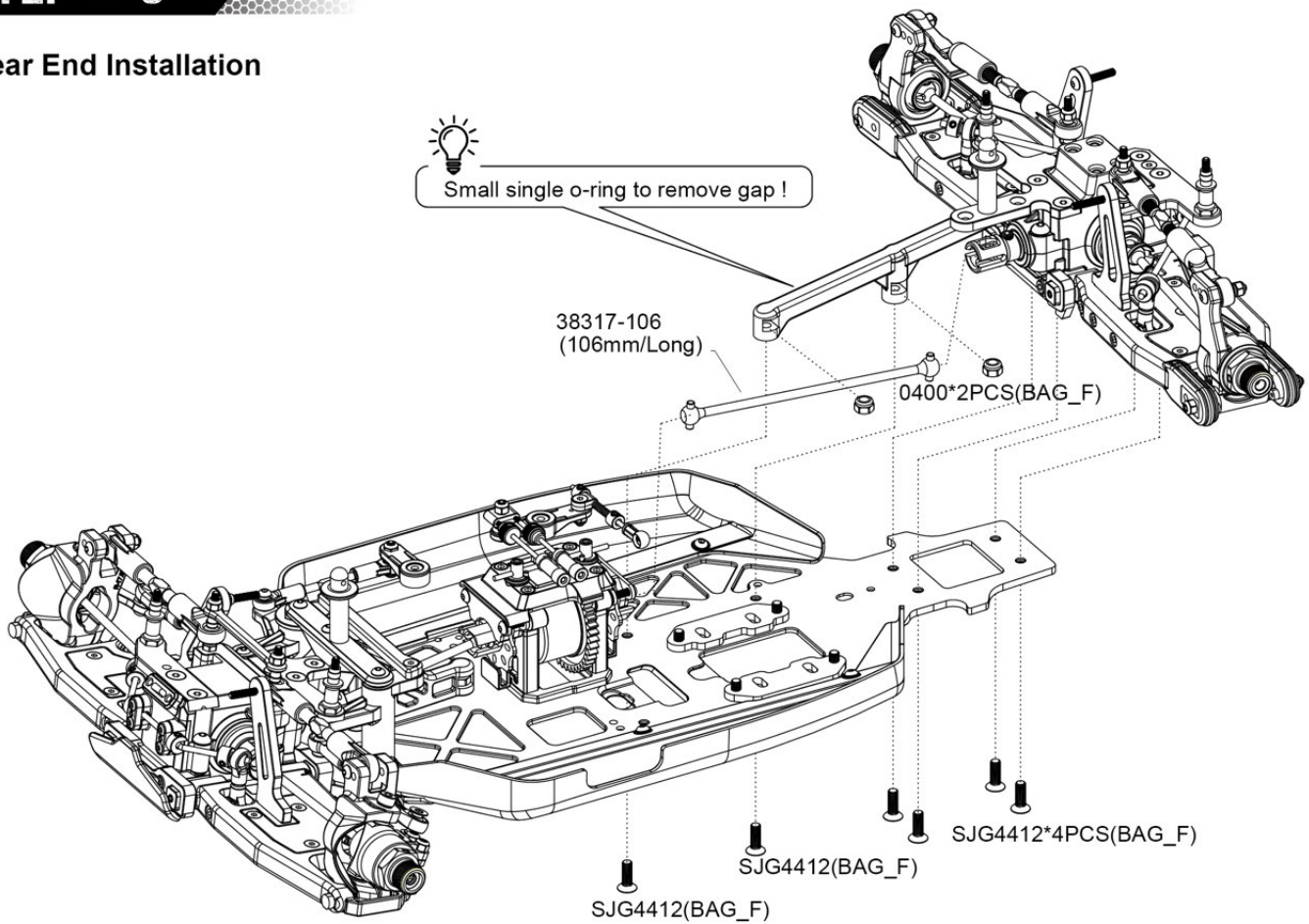
STEP - 2

Front End Installation



STEP - 3

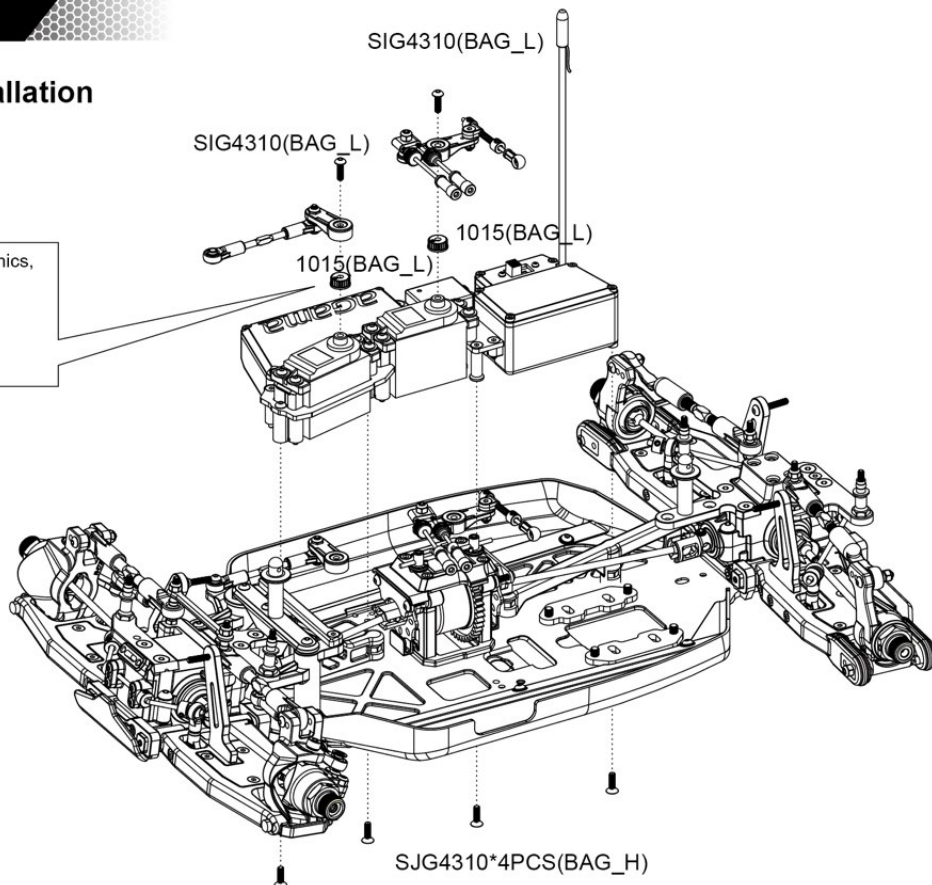
Rear End Installation



STEP - 4

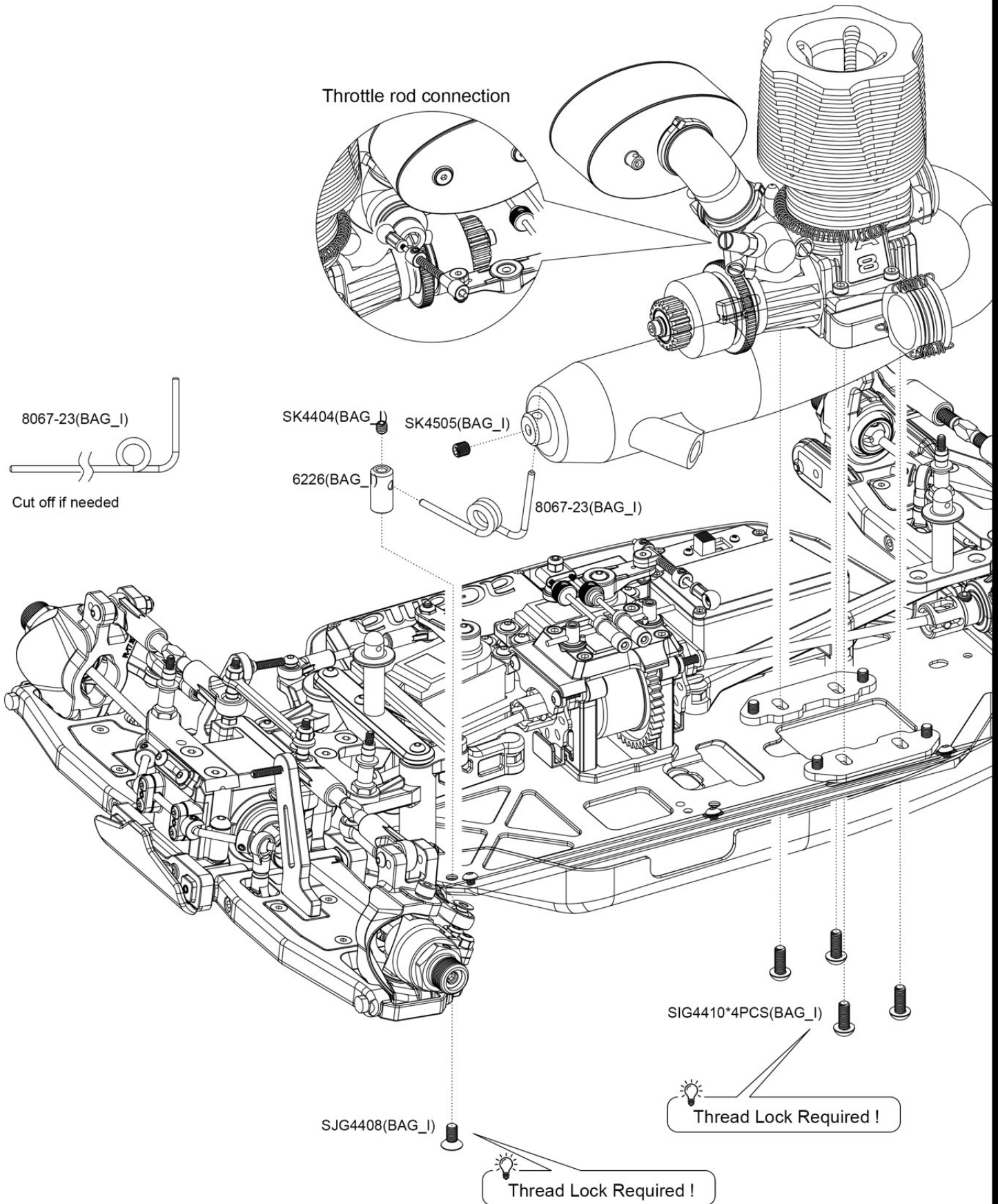
Radio Tray Installation

- 23T SANWA, Airtronics, JR, KO
- 24T Hitec
- 25T Futaba



STEP - 5

Engine Set Installation



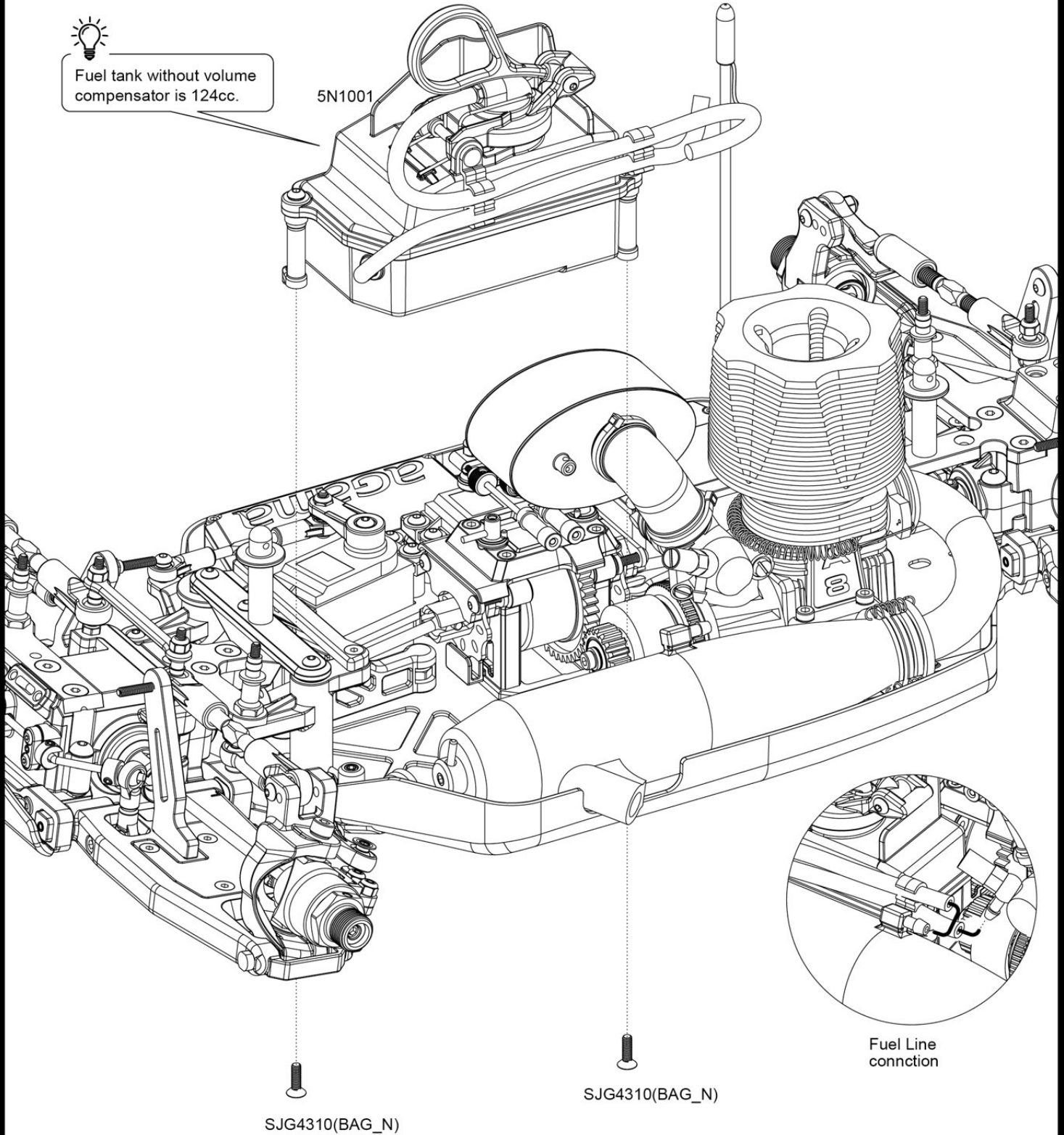
STEP - 6

Fuel Tank Installation



Fuel tank without volume compensator is 124cc.

5N1001



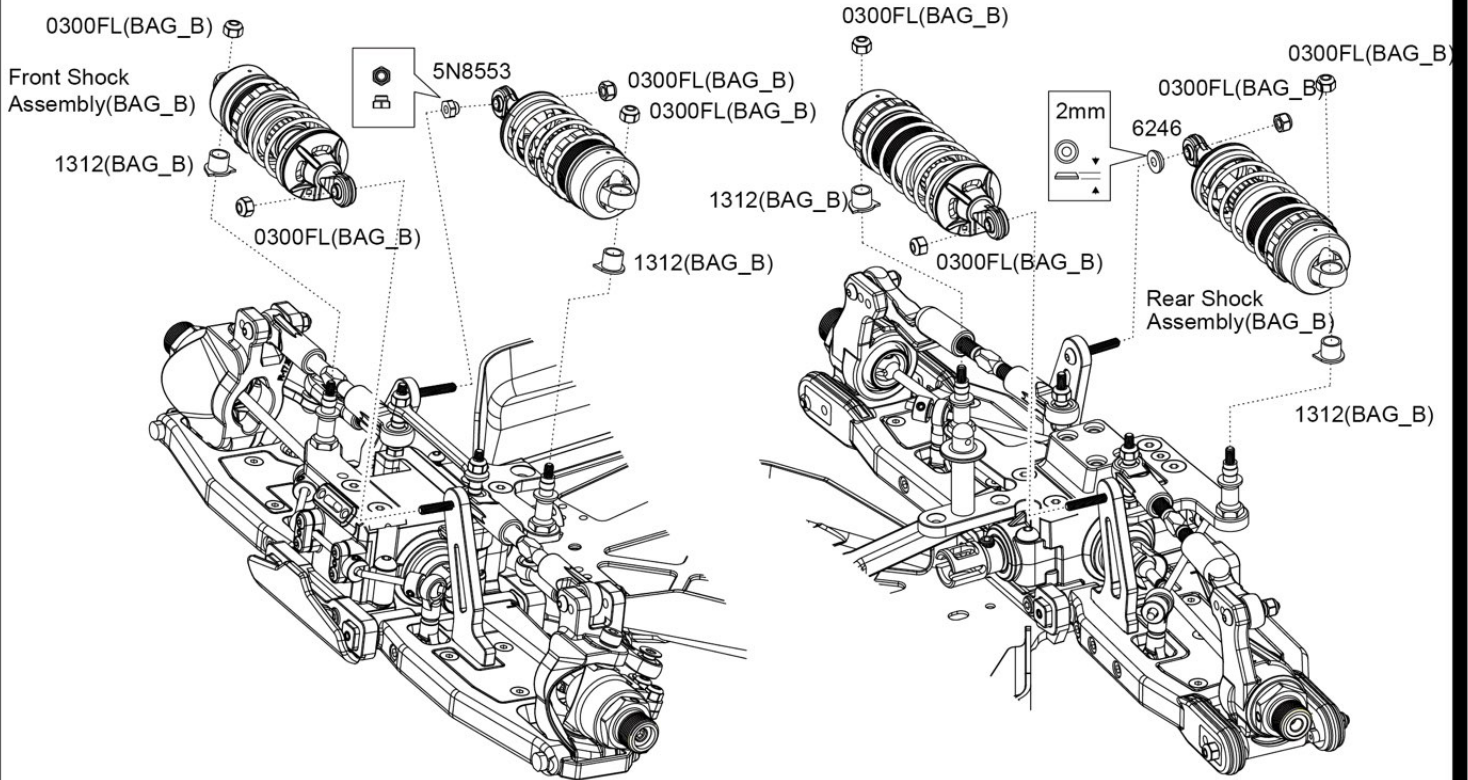
SJG4310(BAG_N)

SJG4310(BAG_N)

Fuel Line
connction

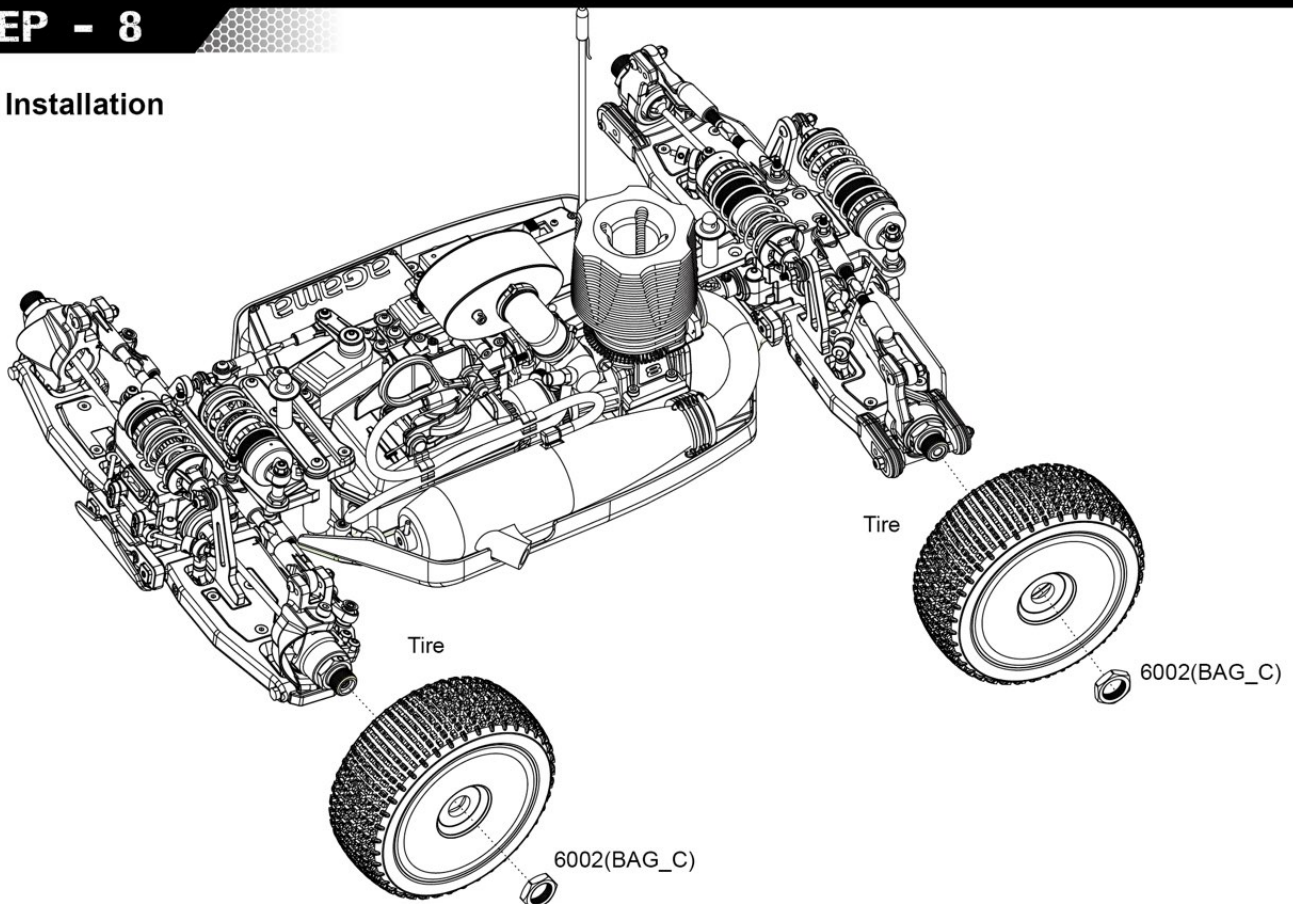
STEP - 7

Front/Rear Shocks Installation



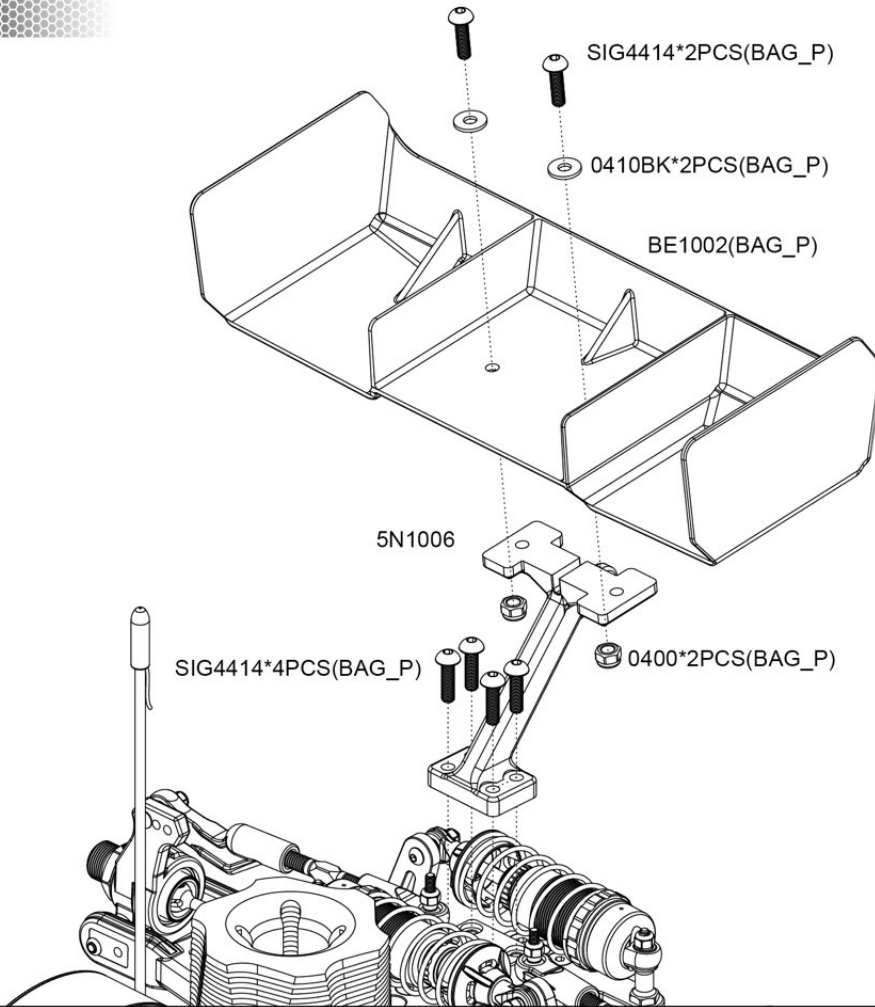
STEP - 8

Tire Installation



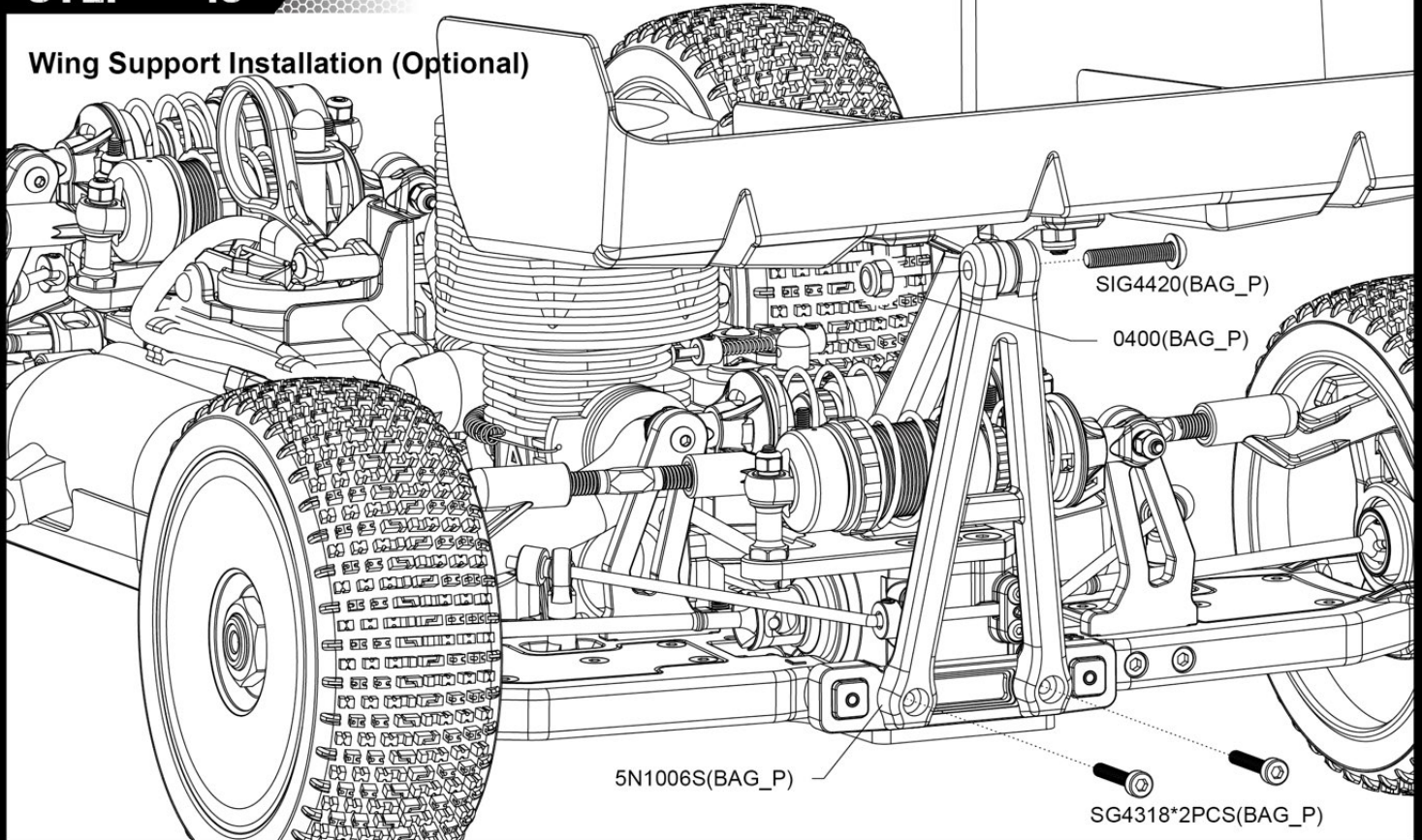
STEP - 9

Wing Installation



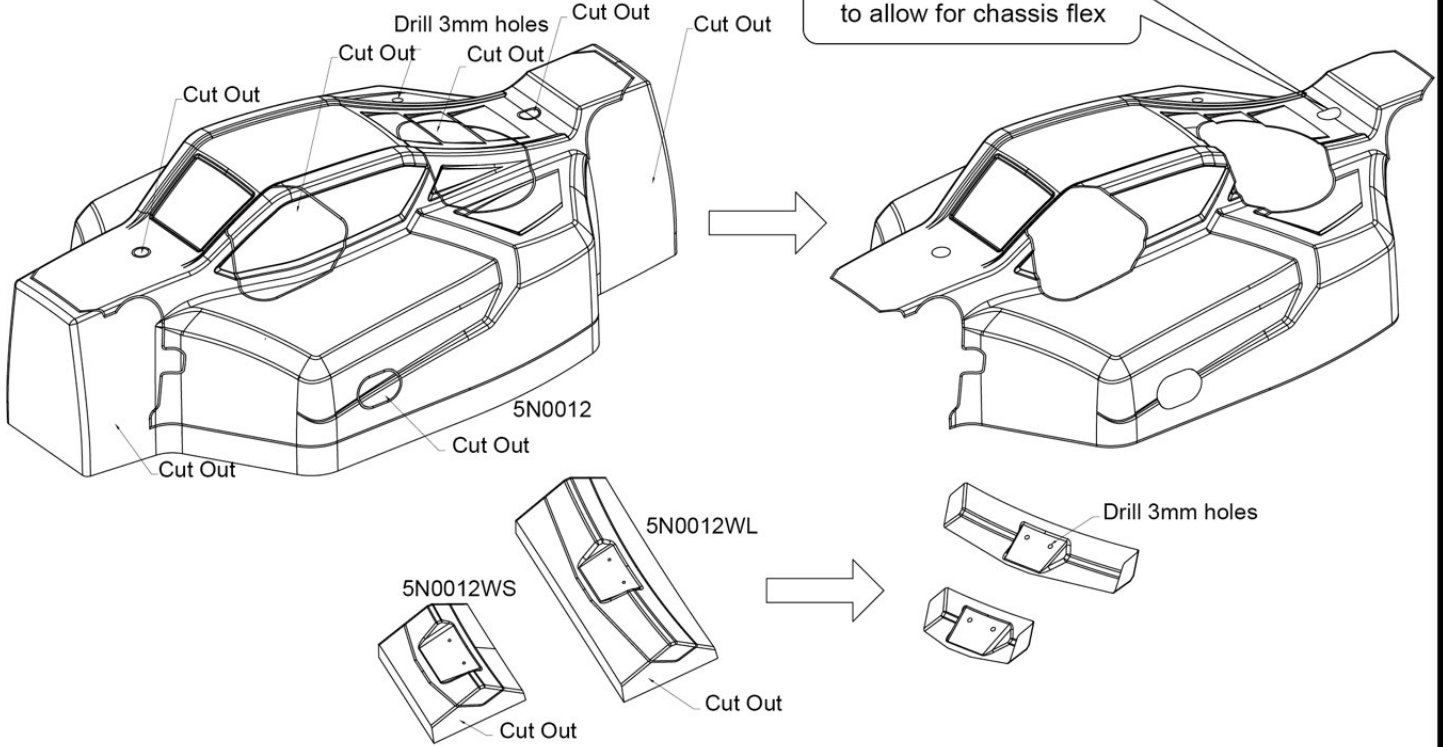
STEP - 10

Wing Support Installation (Optional)



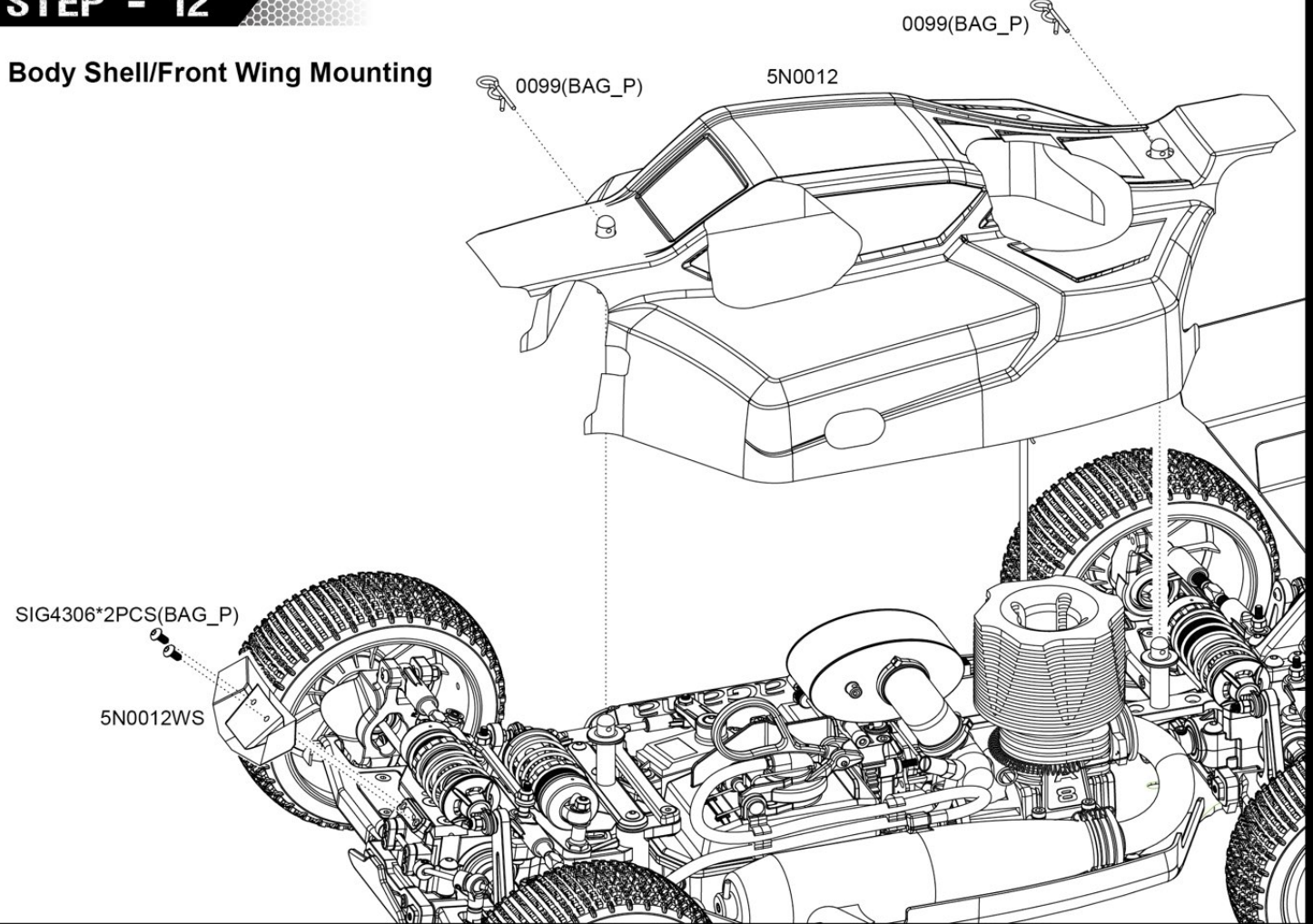
STEP - 11

Body Shell/Front Wing Trimming



STEP - 12

Body Shell/Front Wing Mounting



TRACK CONDITIONS

Indoor Tight Smooth Hard Packed Blue Groove

Wet Low Bite High Bite Outdoor Open Rough Loose/Loamy

Dry Dusty Med Bite Other

ENGINE

Gasket

mm

Plug

Muffler

Fuel

Clutch bell 13T 14T

Shoes 3 4 Spring mm

DIFF Front 10,000 Oil # BETA

Center 5,000 Oil # BETA

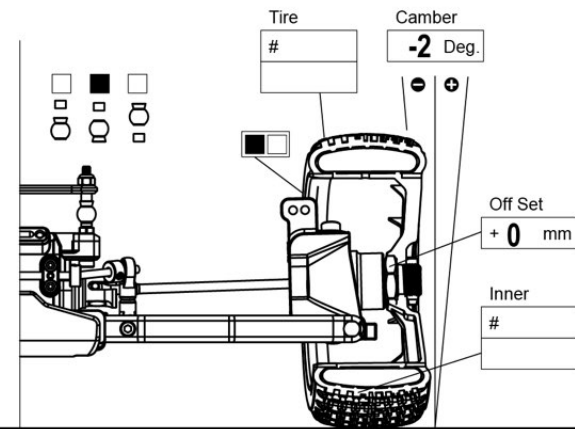
Rear 5,000 Oil # BETA

43 T x 13 T

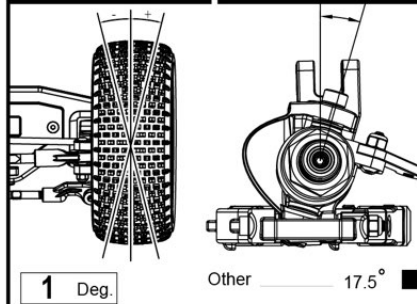
Spur gear 47 T

43 T x 13 T

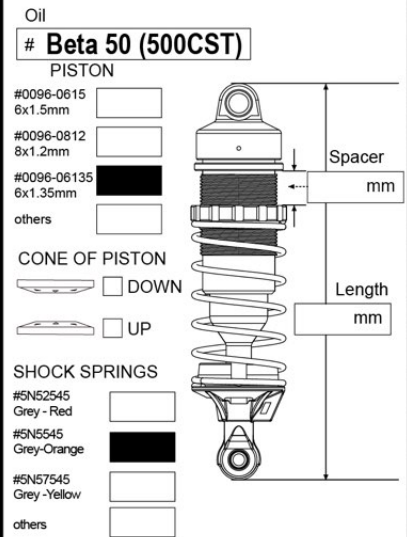
FRONT SUSPENSION



FRONT TOE ANGLE | CASTER ANGLE



FRONT SHOCK

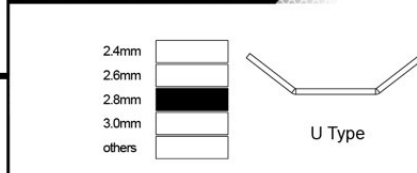


KICK UP

TOE ANGLE



ANTI ROLL BAR FRONT

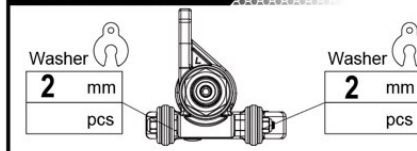


ANTI SQUAT

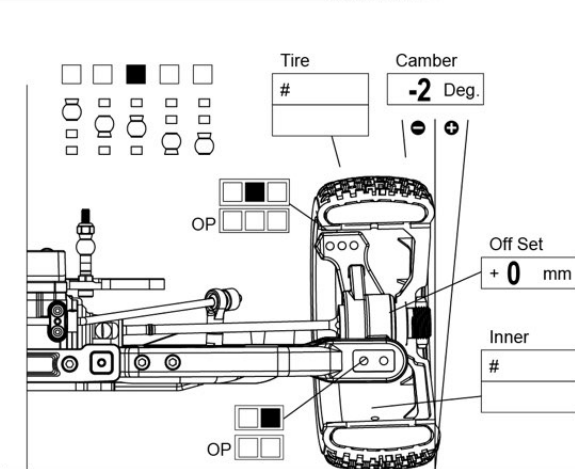
TOE ANGLE



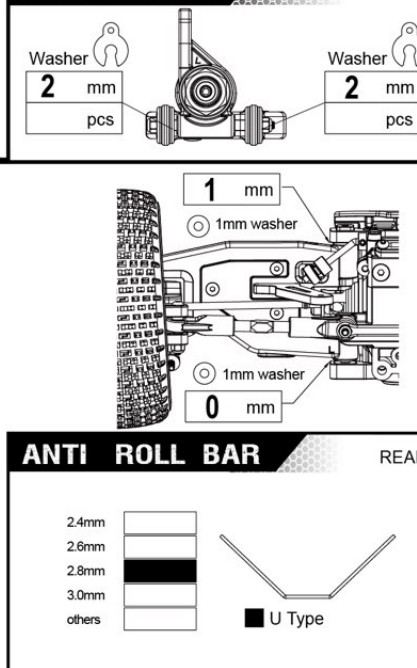
WHEEL BASE



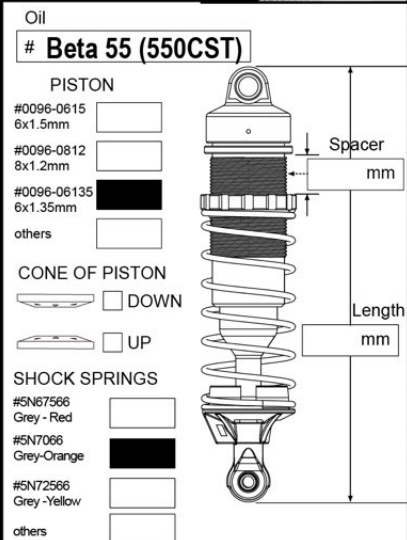
REAR SUSPENSION



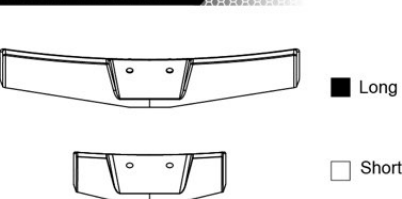
ANTI ROLL BAR REAR



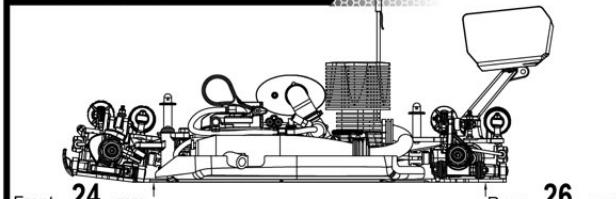
REAR SHOCK



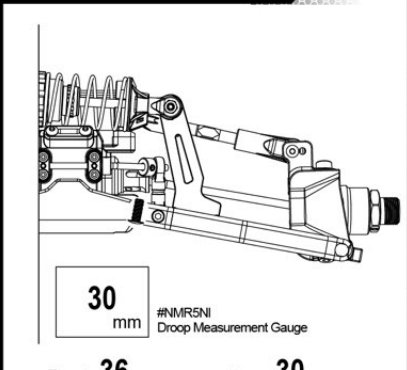
ACKERMAN



RIDE HEIGHT



DROOP LIMITER



TRACK CONDITIONS

Indoor Tight Smooth Hard Packed Blue Groove

Wet Low Bite High Bite Outdoor Open Rough Loose/Loamy

Dry Dusty Med Bite Other _____

ENGINE

Gasket _____ mm Plug _____ Muffler _____ Fuel _____

Clutch bell 13T 14T Shoes 3 4 Spring _____ mm

DIFF

Front _____ Oil # _____ Center _____ Oil # _____ Rear _____ Oil # _____

T x T Spur gear T T x T

FRONT SUSPENSION

Tire # _____ Camber _____ Deg.

Off Set + _____ mm

Inner # _____

FRONT TOE ANGLE | CASTER ANGLE

Other _____ 17.5°

FRONT SHOCK

Oil # _____

PISTON

#0096-0615 6x1.5mm

#0096-0812 8x1.2mm

#0096-06135 6x1.35mm

others _____

CONE OF PISTON

DOWN

UP

SHOCK SPRINGS

#5N52545 Grey - Red

#5N5545 Grey-Orange

#5N57545 Grey -Yellow

others _____

KICK UP

FF

FR

Y O B

ANTI ROLL BAR FRONT

2.4mm

2.6mm

2.8mm

3.0mm

others _____

U Type

ANTI SQUAT

RF

RR

Y O B

WHEEL BASE

Washer _____ mm _____ pcs

Washer _____ mm _____ pcs

REAR SHOCK

Oil # _____

PISTON

#0096-0615 6x1.5mm

#0096-0812 8x1.2mm

#0096-06135 6x1.35mm

others _____

CONE OF PISTON

DOWN

UP

SHOCK SPRINGS

#5N67566 Grey - Red

#5N7066 Grey-Orange

#5N72566 Grey -Yellow

others _____

REAR SUSPENSION

Tire # _____ Camber _____ Deg.

Off Set + _____ mm

Inner # _____

ANTI ROLL BAR REAR

2.4mm

2.6mm

2.8mm

3.0mm

others _____

U Type

ACKERMAN

Long

Short

RIDE HEIGHT

Front _____ mm Rear _____ mm

DROOP LIMITER

#N1R5N1 Droop Measurement Gauge

mm

Front _____ mm Rear _____ mm

www.agama-rc.com

NI1

1/8 NITRO BUGGY



U.J. ENTERPRISE CO., LTD.
E-mail: contact@agama-rc.com