



[www.agama-rc.com](http://www.agama-rc.com)

# A319E

**1/8 SCALE 4WD EP  
OFFROAD BUGGY**



**GEN 3 PRO KIT**

*Instruction Manual*

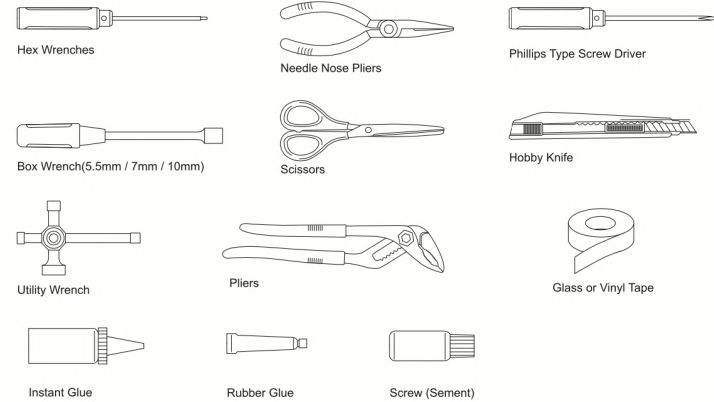
Agama vehicles fit a wide range of skilled drivers. Pros and Beginners alike can experience Agama products with great results!  
Agama products are designed with quality and precision in mind.

Made in Taiwan

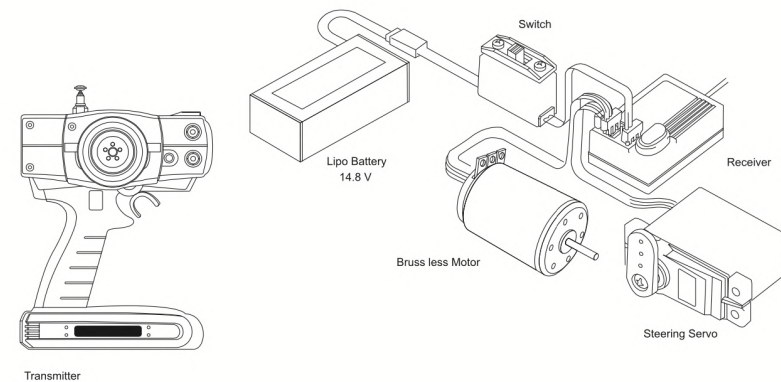
<b>INTRODUCTION</b>	<b>01</b>
<b>CAUTION</b>	<b>02</b>
<b>BAG A</b> Front Diff Installation	<b>03</b>
Rear Diff Installation	<b>04</b>
Center Diff Installation	<b>05</b>
<b>BAG B</b> Shock Install (Front & Rear)	<b>06-07</b>
<b>BAG C</b> Front Spindle & CVD Installation	<b>08</b>
<b>BAG D</b> Front End Installation	<b>09-12</b>
<b>BAG E</b> Rear Hub & CVD Installation	<b>13</b>
<b>BAG F</b> Rear End Installation	<b>14-17</b>
<b>BAG G</b> Center Installation	<b>18</b>
<b>BAG H</b> Receiver & Steer Servo Assembly	<b>19</b>
<b>BAG J</b> Servo Saver Assembly	<b>20-21</b>
<b>BAG K</b> Side Guard Installation/ Chassis Installation	<b>22</b>
<b>CHASSIS INSTALLATION</b> (BAG I _P.26) (BAG Q _ P.30)	<b>23-32</b>
<b>FACTORY SETUP SHEET</b>	<b>33-34</b>

**Notice:** The following items are needed for completion of the PRO KIT, They are not included with this kit (unless noted), and should be obtained from your local hobby shop.  
**Be sure to read the instructions completely prior to assembly.**

### TOOLS NEEDED TO ASSEMBLE

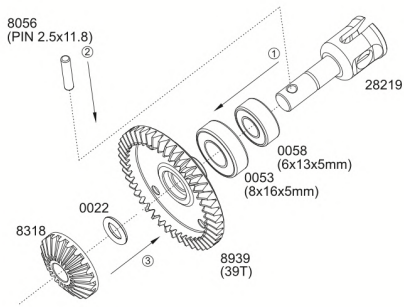


### ITEMS NEEDED TO CONTROL CAR



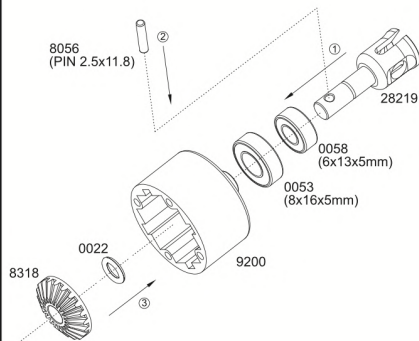
**STEP A - 1**

**Front Diff Ring Gear Assembly**



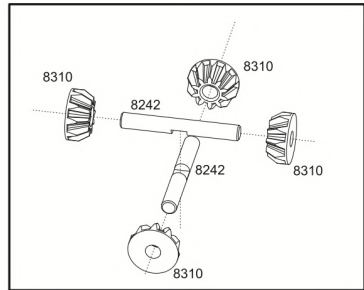
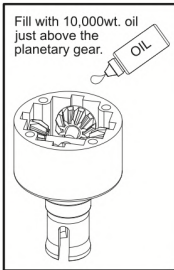
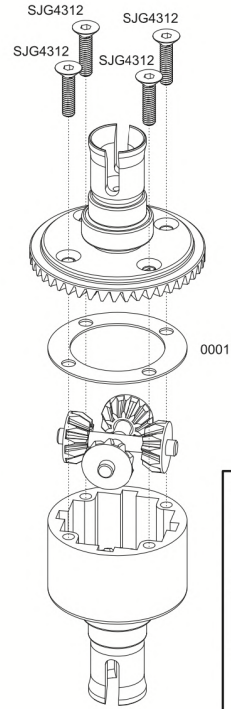
**STEP A - 2**

**Front Diff Case Assembly**



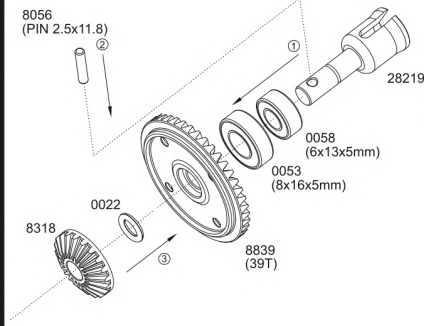
**STEP A - 3**

**Complete Front Diff Assembly**



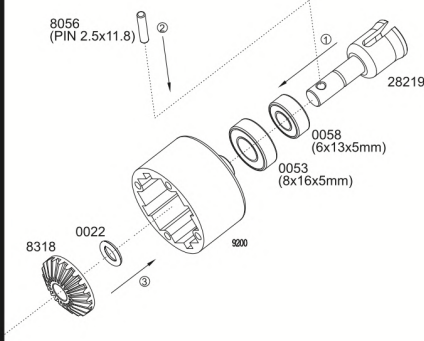
**STEP A - 4**

**Rear Diff Ring Gear Assembly**



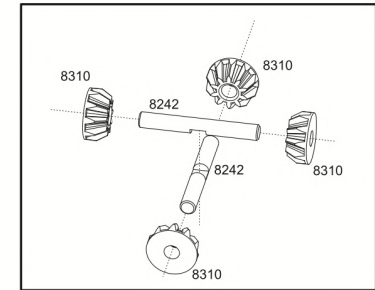
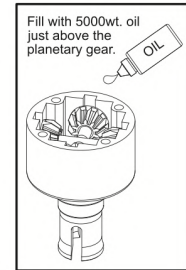
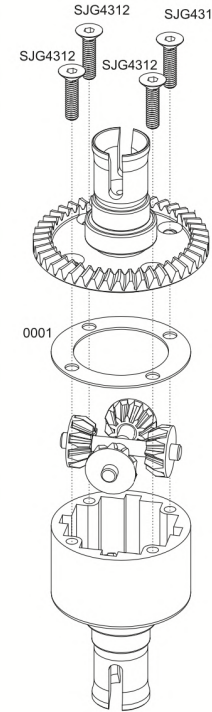
**STEP A - 5**

**Rear Diff Case Assembly**



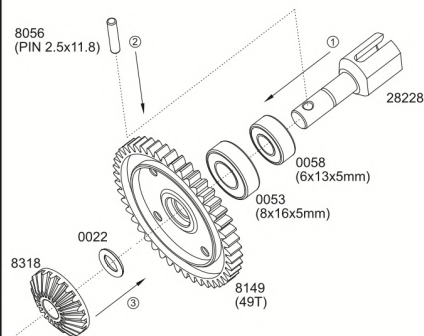
**STEP A - 6**

**Complete Rear Diff Assembly**



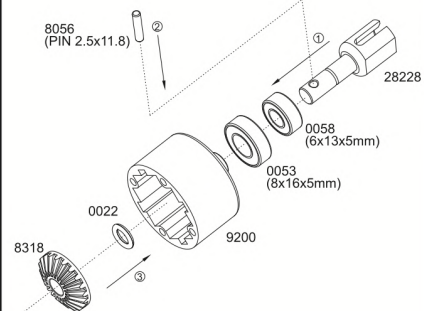
## STEP A - 7

### Center Diff Ring Gear Assembly



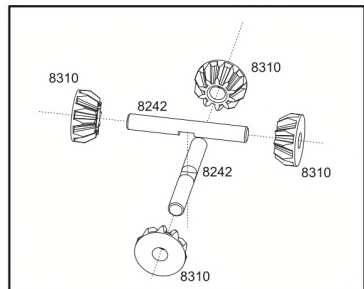
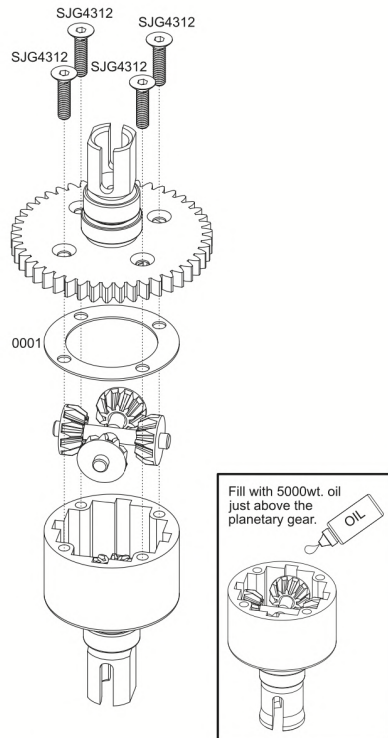
## STEP A - 8

### Center Diff Case Assembly



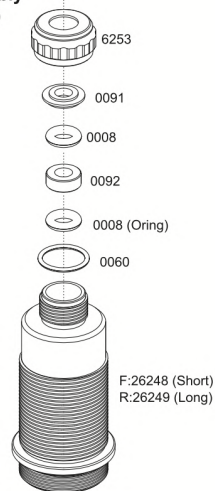
## STEP A - 9

### Complete Center Diff Assembly



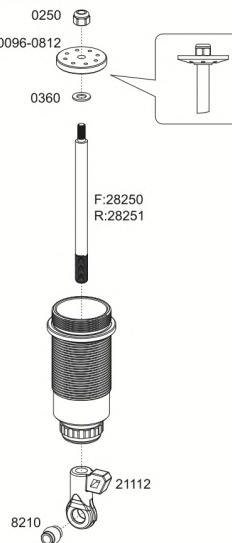
## STEP B - 1

### Shock Assembly (Front & Rear)



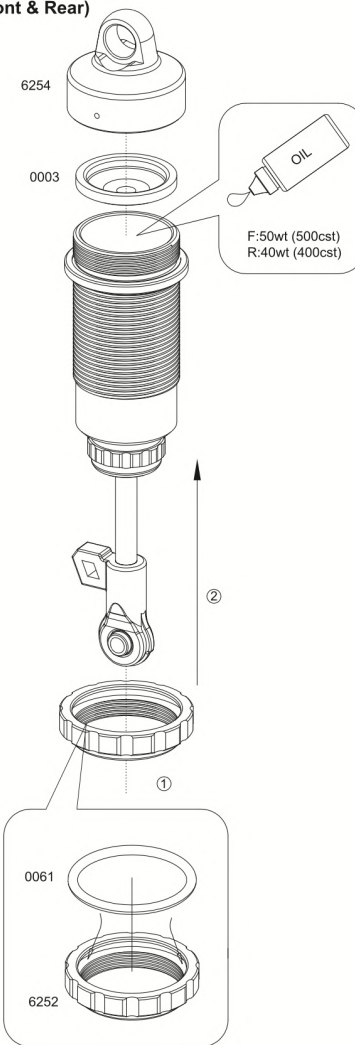
## STEP B - 2

### Shock Assembly (Front & Rear)



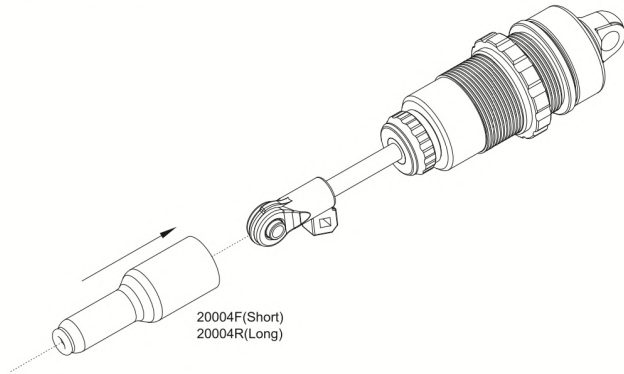
## STEP B - 3

### Shock Assembly (Front & Rear)



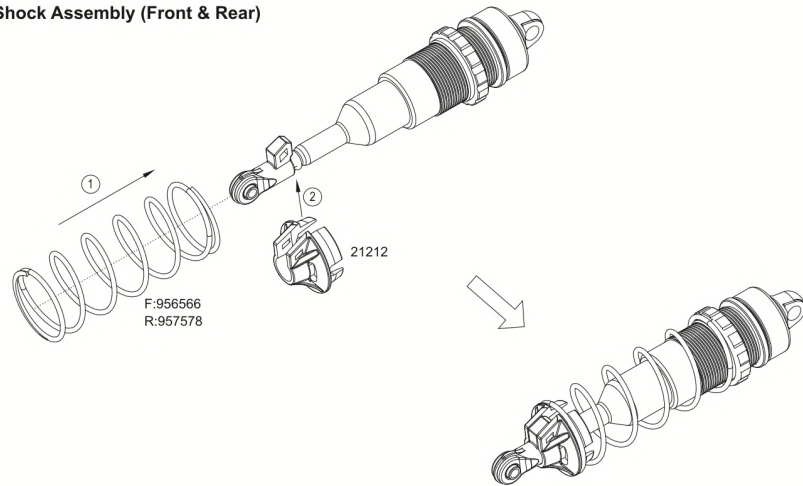
## STEP B - 4

### Shock Assembly (Front & Rear)



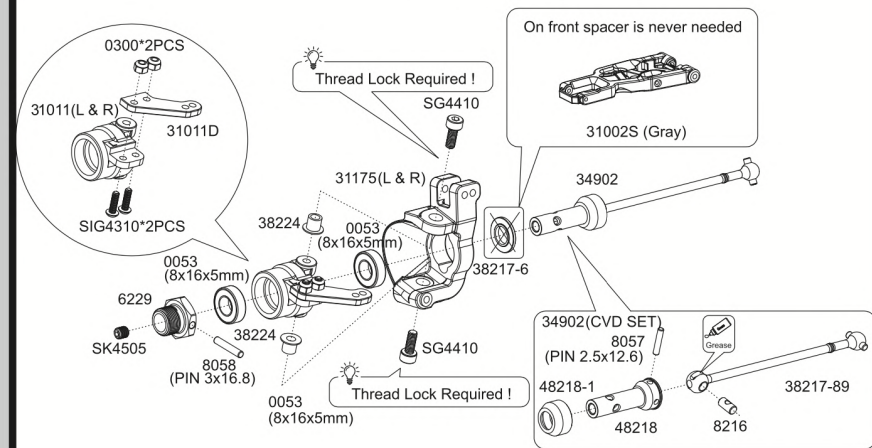
## STEP B - 5

### Shock Assembly (Front & Rear)



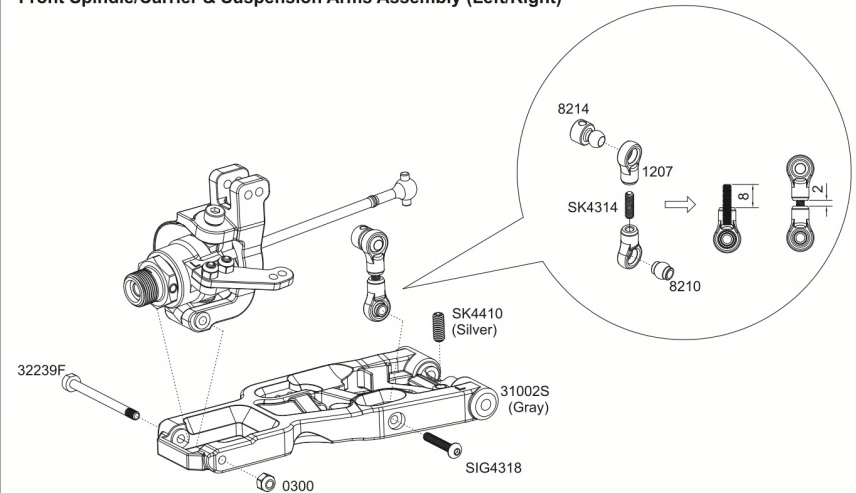
## STEP C - 1

### Front Spindle & CVD Assembly (Left/Right)



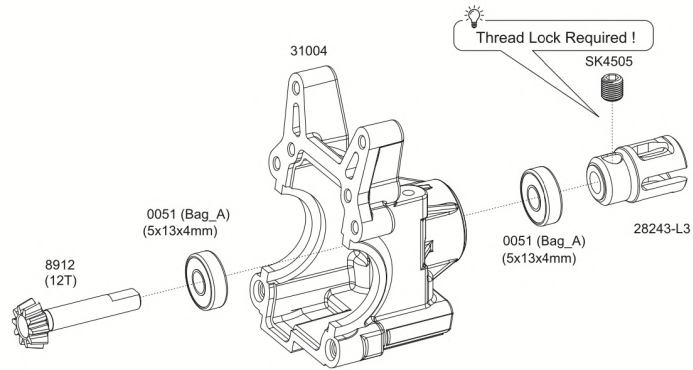
## STEP C - 2

### Front Spindle/Carrier & Suspension Arms Assembly (Left/Right)



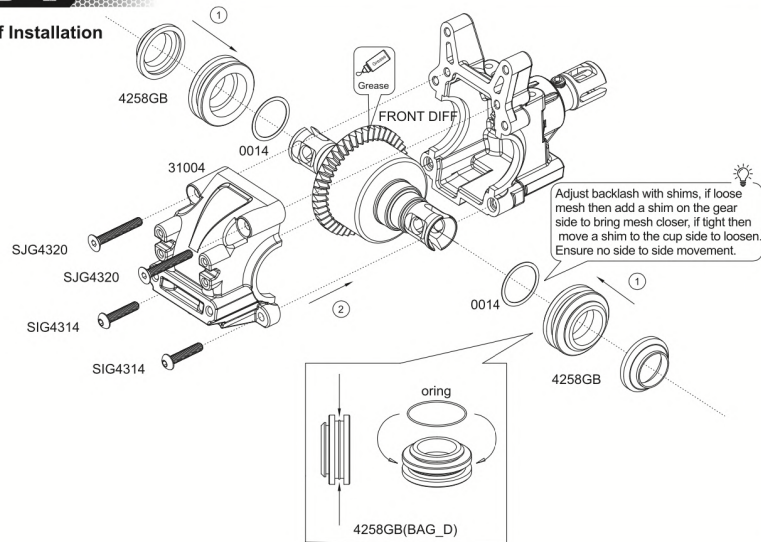
## STEP D - 1

### Front Diff Case Assembly



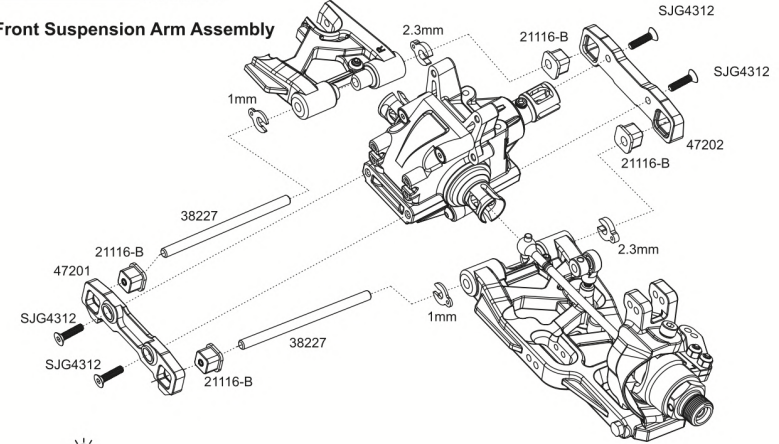
## STEP D - 2

### Front Diff Installation



## STEP D - 3

### Front Suspension Arm Assembly



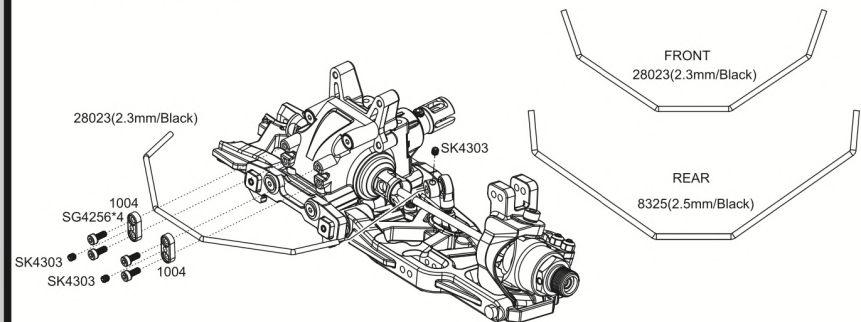
Please as per setup sheet

#### SUSPENSION BUSHINGS CHART

INITIAL SETUP		SUSPENSION BUSHINGS CHART			
FF(47201)	FR(47202)	+0.5°	+1°	+1°	+1°
		+0.5mm	+1mm	+1mm	+1mm
KICKUP = 12°/TOE-IN = 1°		-0.5°	-1°	+0.5°	+0.5°
		-0.5mm	-1mm	+0.5mm	+0.5mm

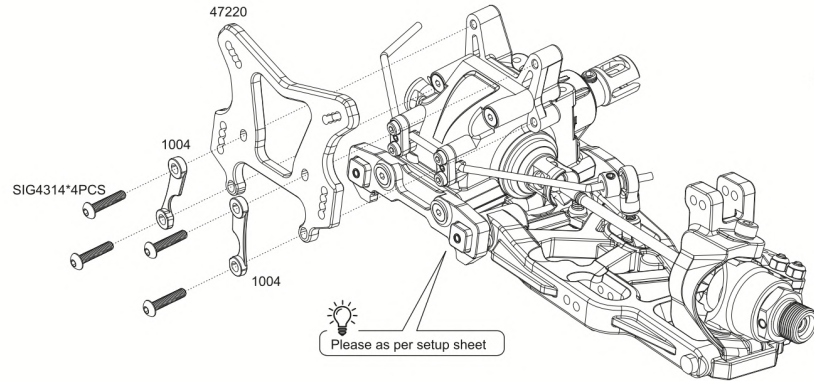
## STEP D - 4

### Front Swaybar Assembly



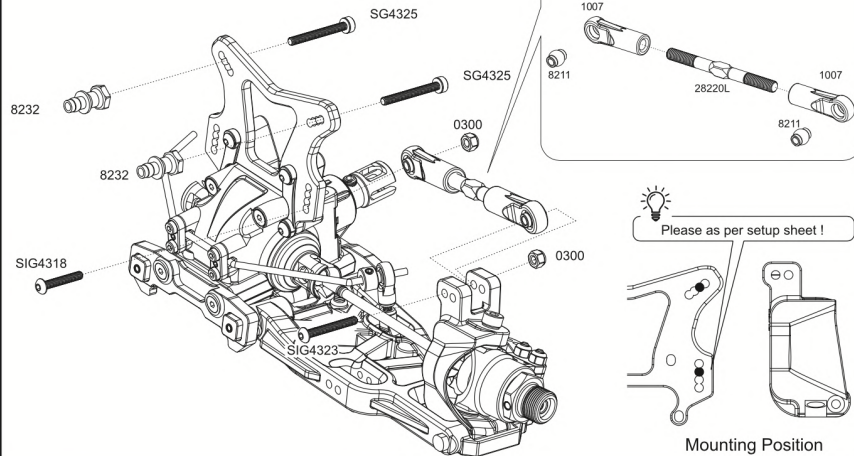
## STEP D - 5

### Front Shock Tower Assembly



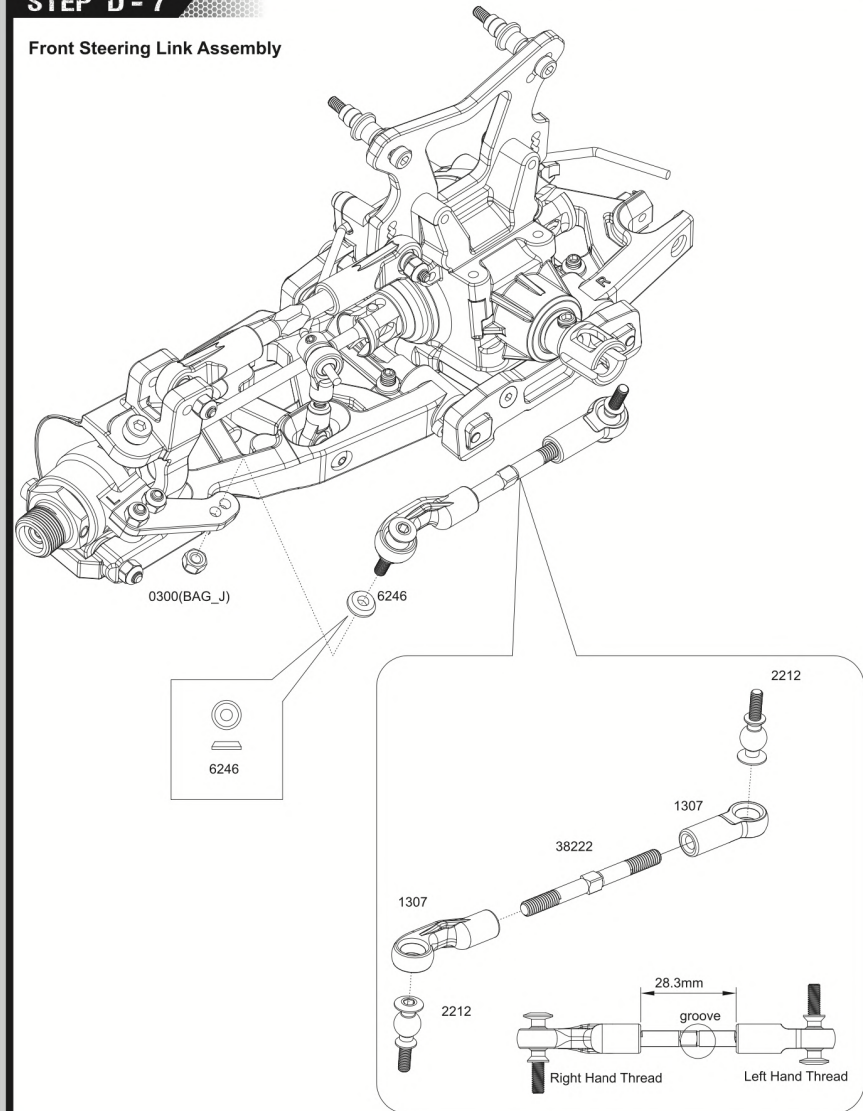
## STEP D - 6

### Front Camber Link Assembly



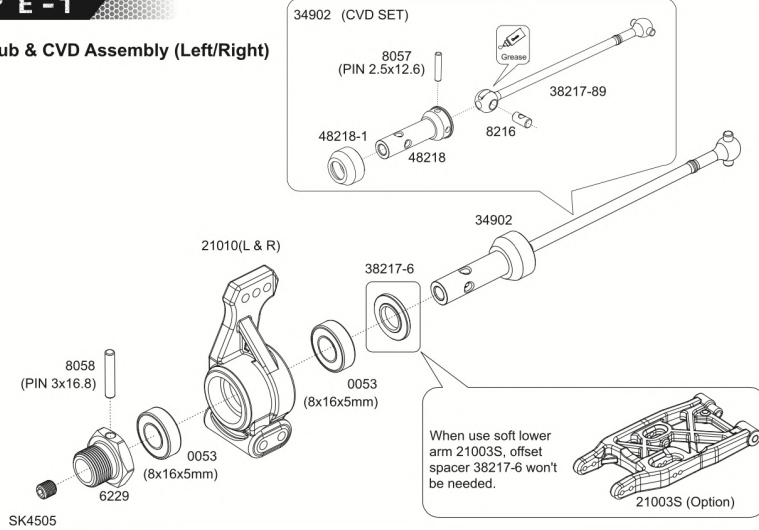
## STEP D - 7

### Front Steering Link Assembly



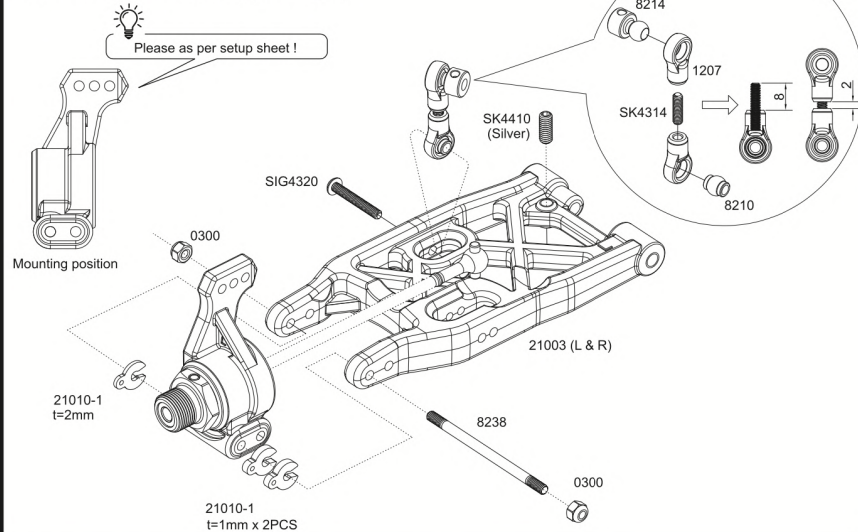
## STEP E - 1

### Rear Hub & CVD Assembly (Left/Right)



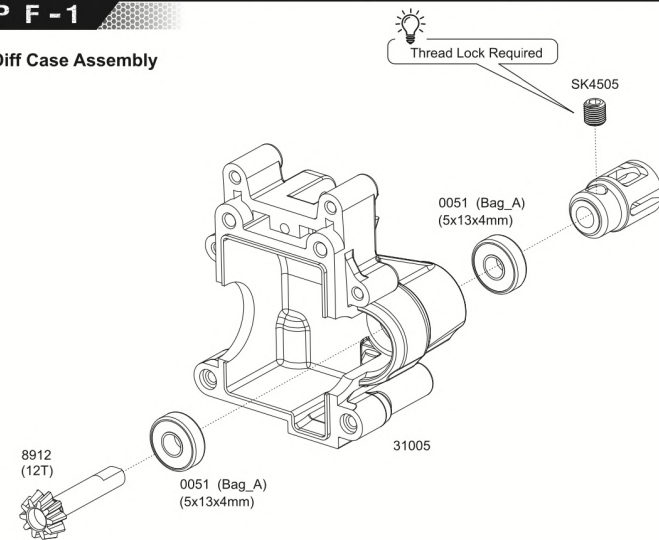
## STEP E - 2

### Rear Hub & CVD Assembly (Left/Right)



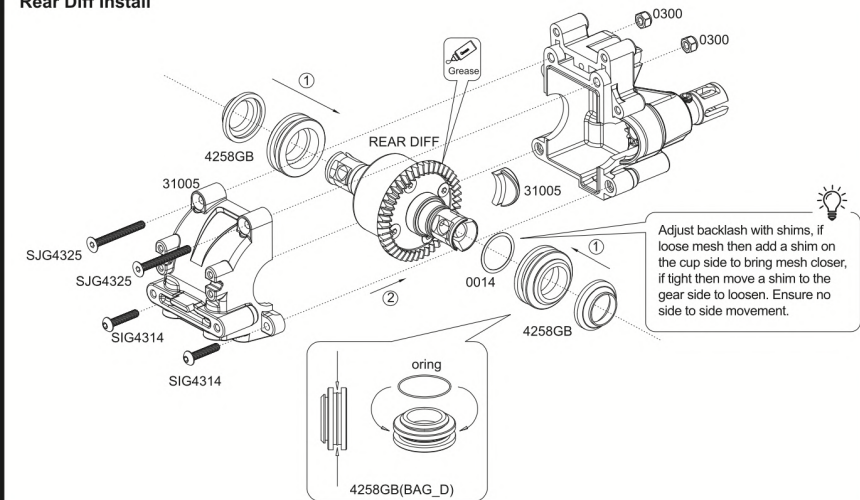
## STEP F - 1

### Rear Diff Case Assembly



## STEP F - 2

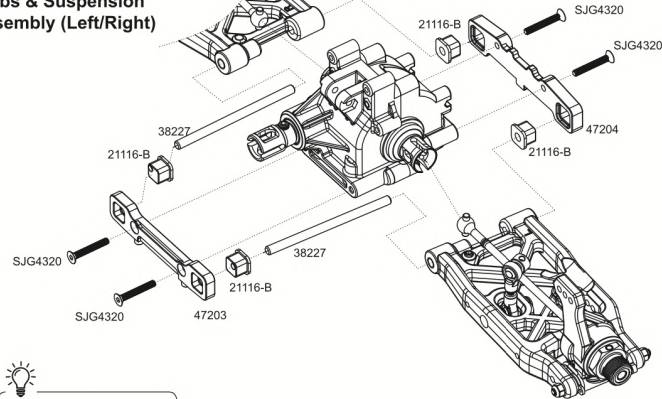
### Rear Diff Install



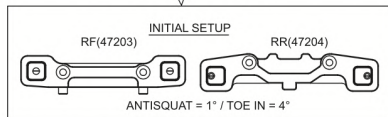


## STEP F - 3

### Rear Hubs & Suspension Arm Assembly (Left/Right)



Please as per setup sheet

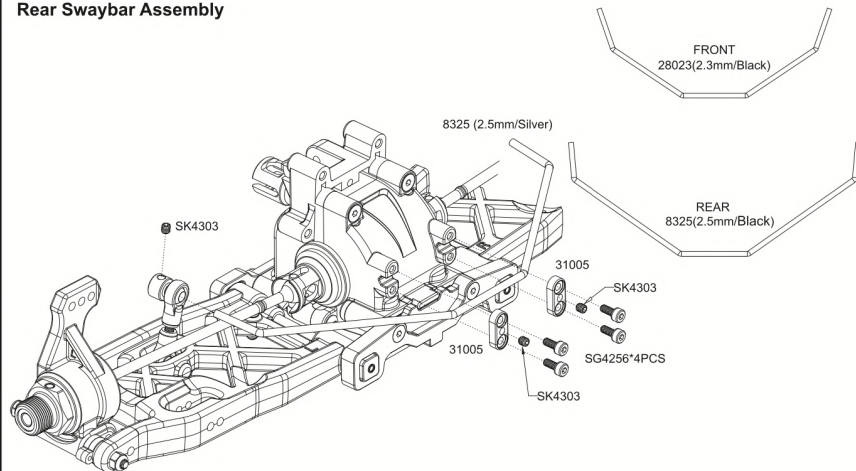


#### SUSPENSION BUSHINGS CHART

+0.5° +0.5mm	+1° +1mm	+1° +1mm	+1° +1mm
-0.5° -0.5mm	-1° -1mm	+0.5° +0.5mm	+0.5° +0.5mm

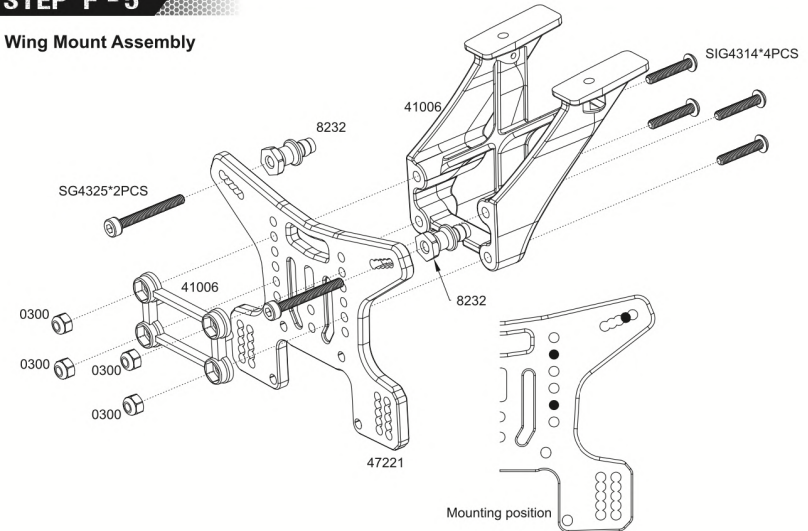
## STEP F - 4

### Rear Swaybar Assembly



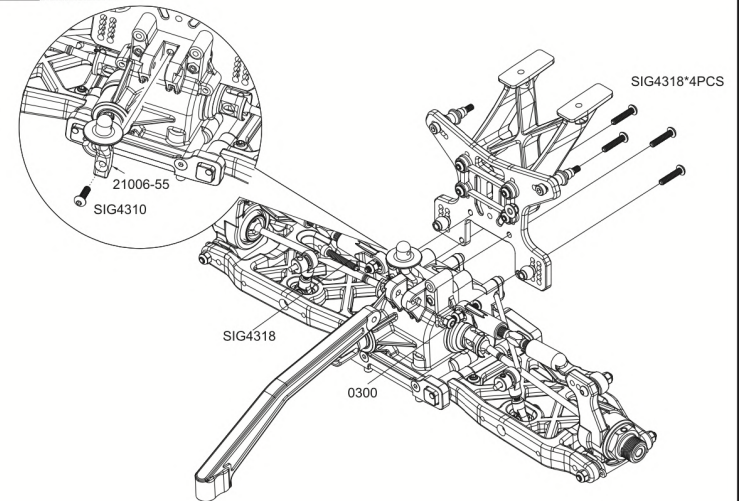
## STEP F - 5

### Wing Mount Assembly



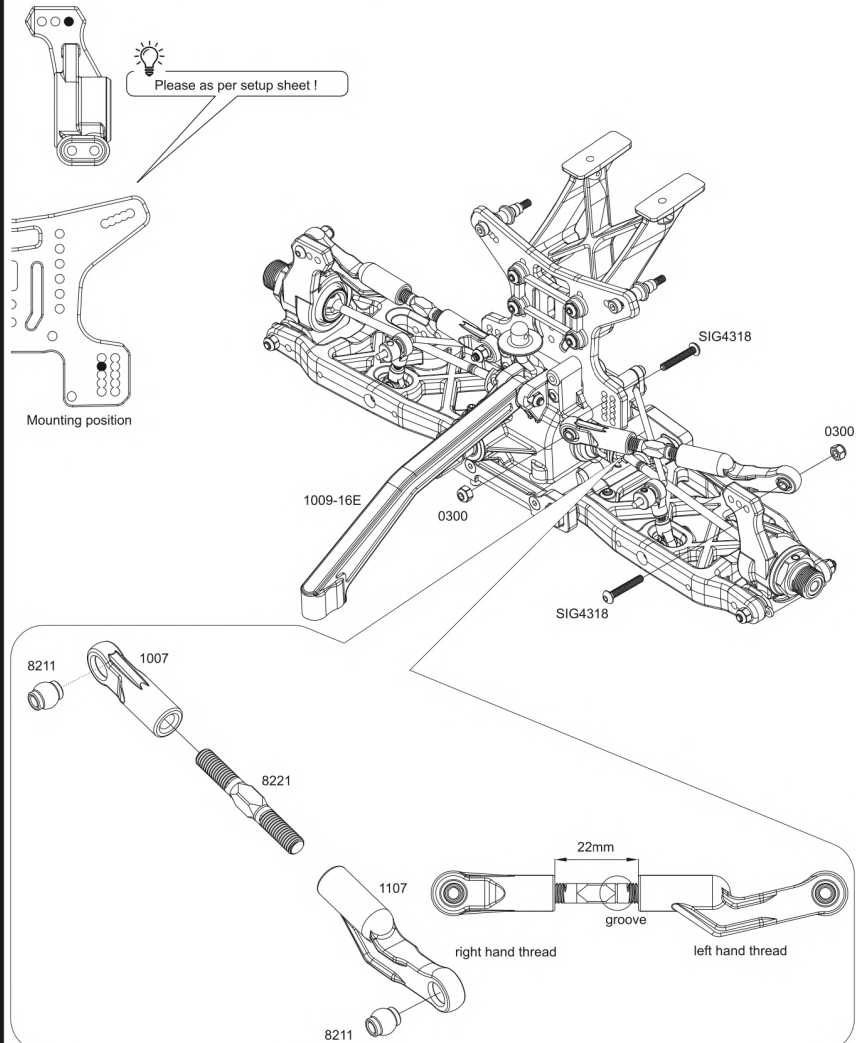
## STEP F - 6

### Rear Shock Tower Installation



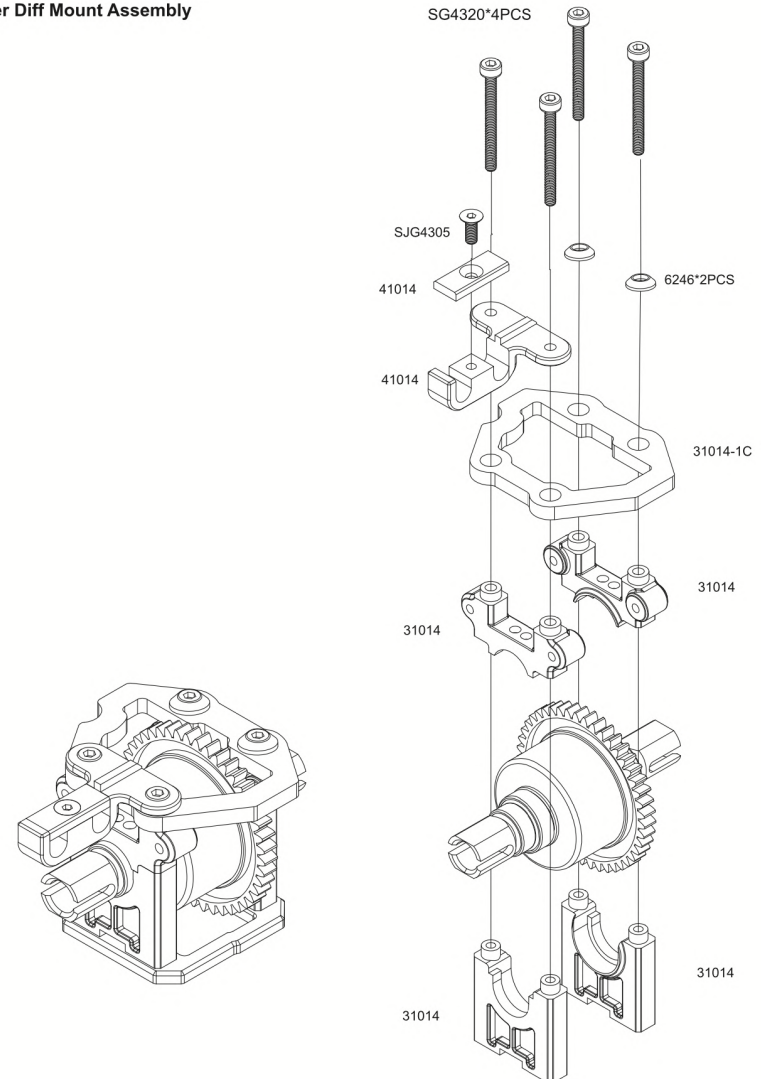
## STEP F - 7

### Rear Camber Link Assembly (Left/Right)



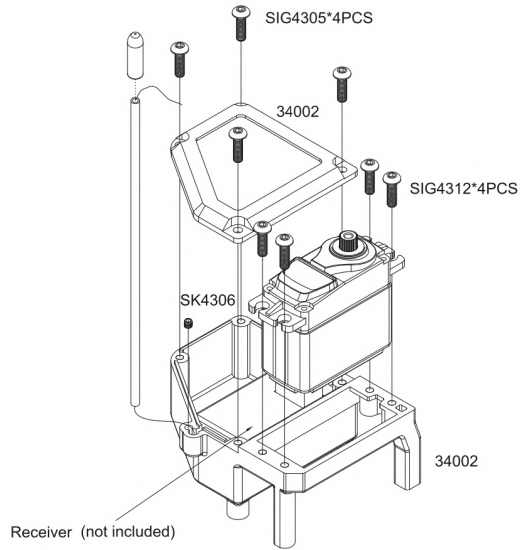
## STEP G - 1

### Center Diff Mount Assembly



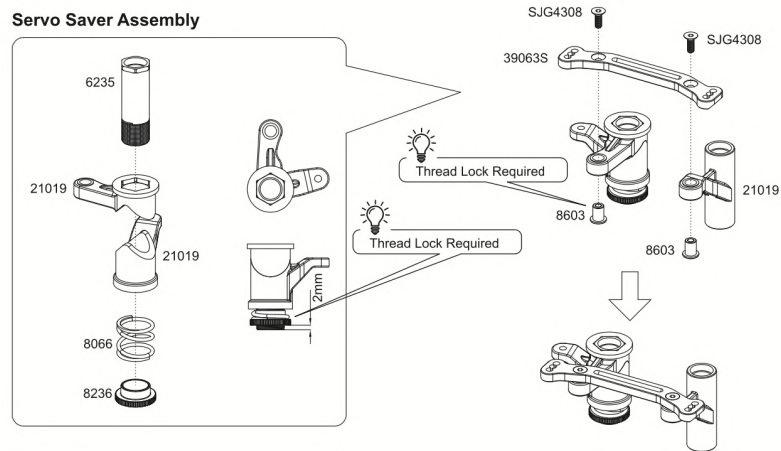
## STEP H - 1

### Receiver & Steer Servo Assembly



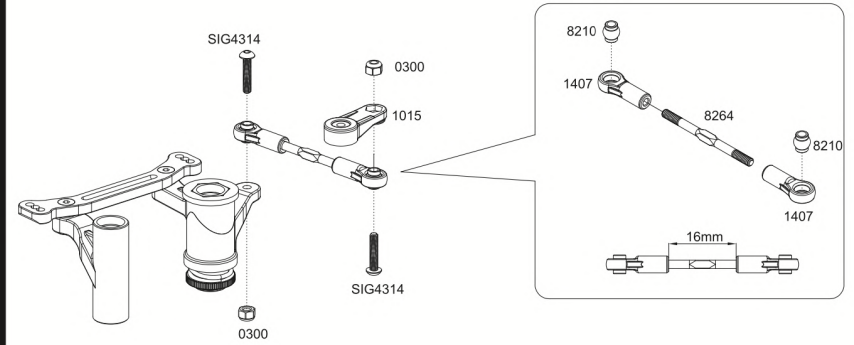
## STEP J - 1

### Servo Saver Assembly



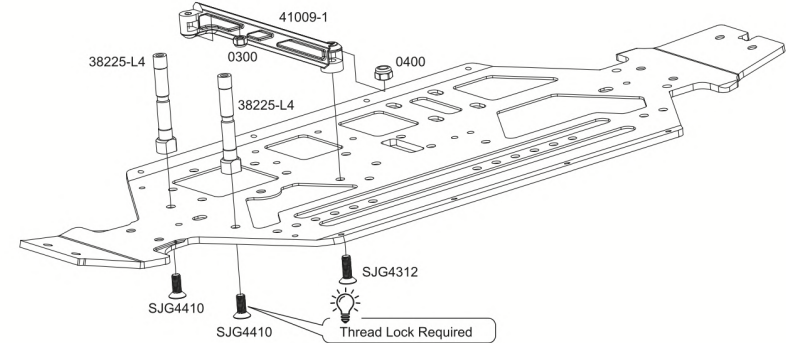
## STEP J - 2

### Steering Servo Link Assembly



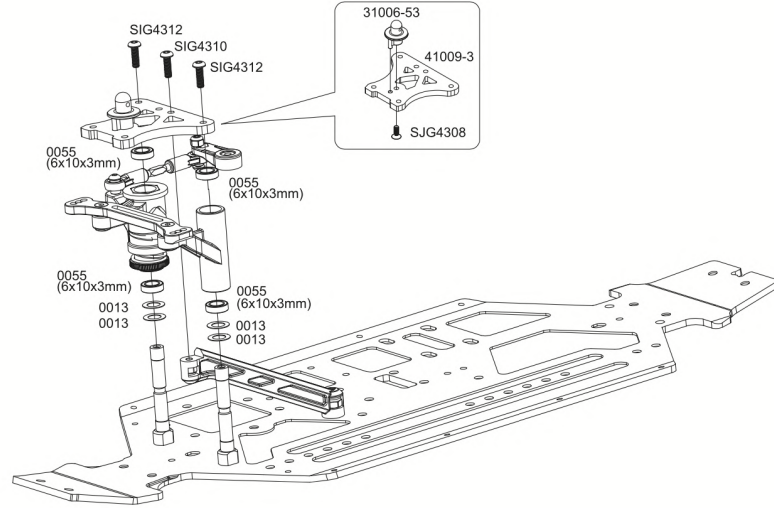
## STEP J - 3

### Steering Post & Front Chassis Support Assembly



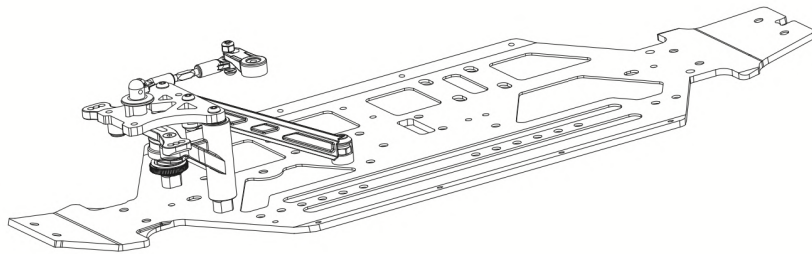
## STEP J - 4

### Steering Saver & Front Chassis Brace Assembly



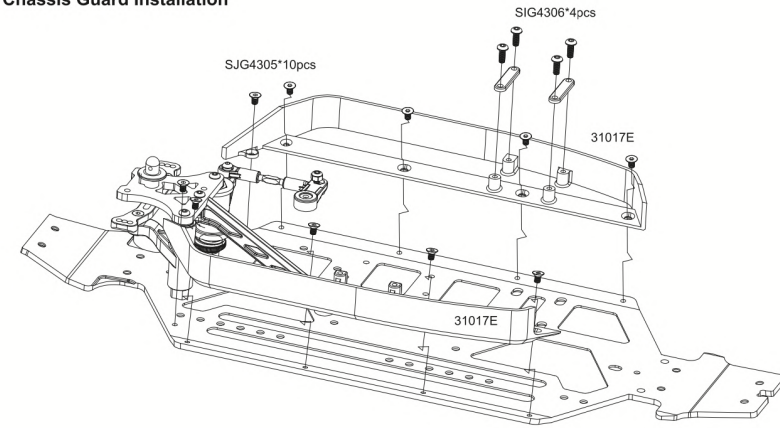
## STEP J - 5

### Completed Steering Assembly



## STEP K - 1

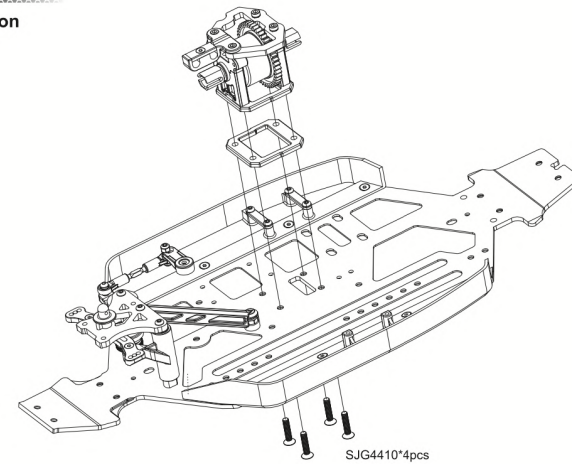
### Chassis Guard Installation



# CHASSIS INSTALL

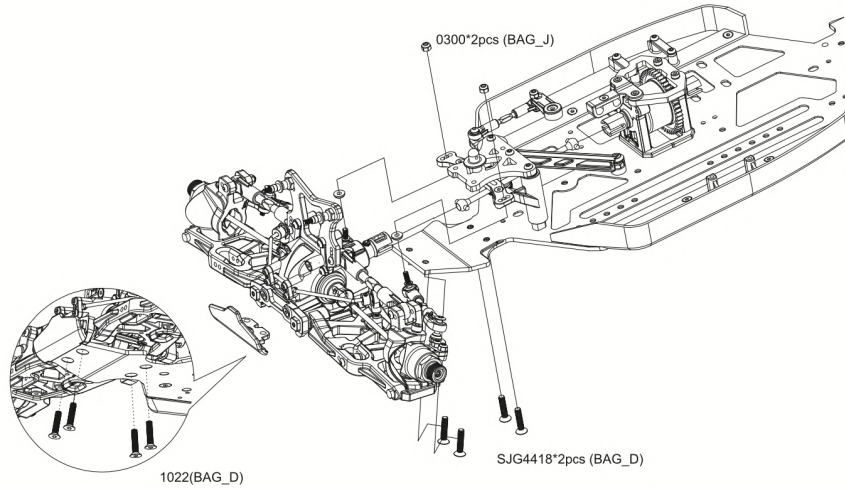
## STEP - 1

### Center Diff Installation



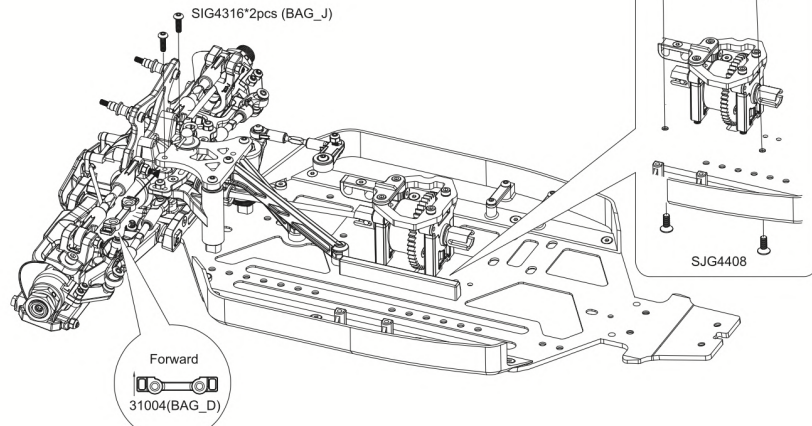
## STEP - 2

### Front End Installation



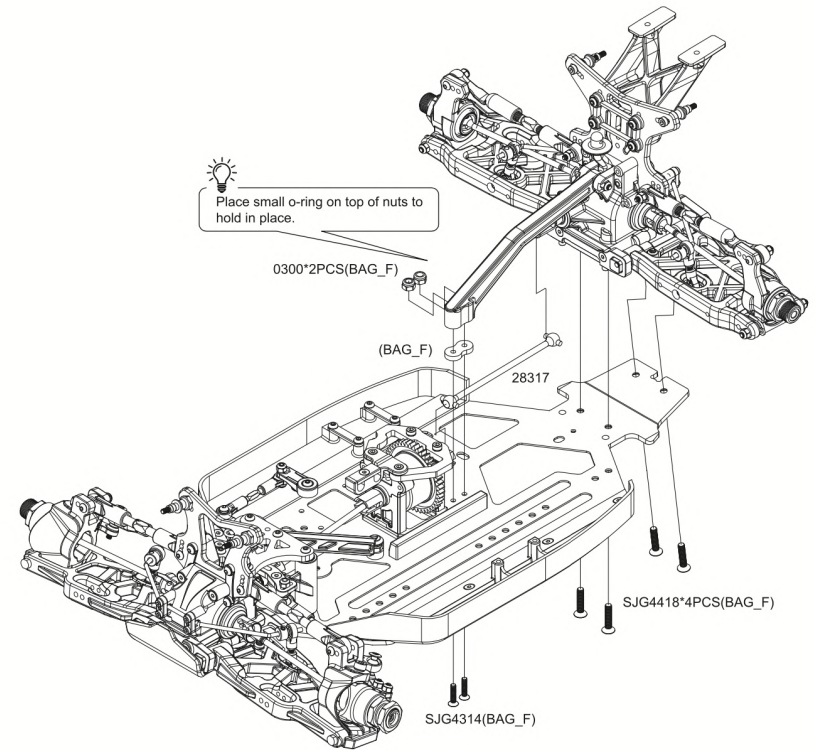
## STEP - 3

### Front End Installation



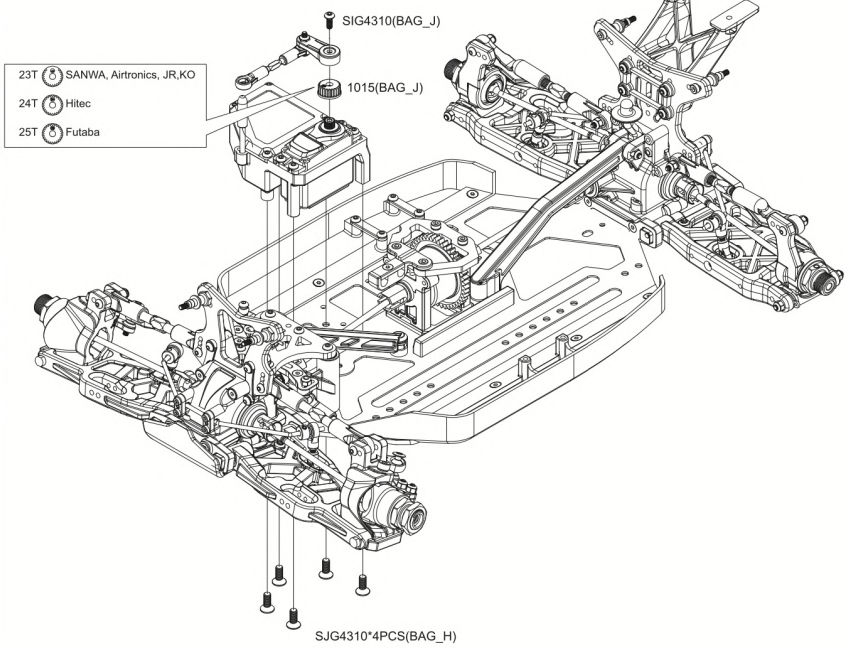
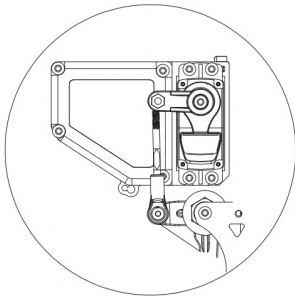
## STEP - 4

### Rear End Installation



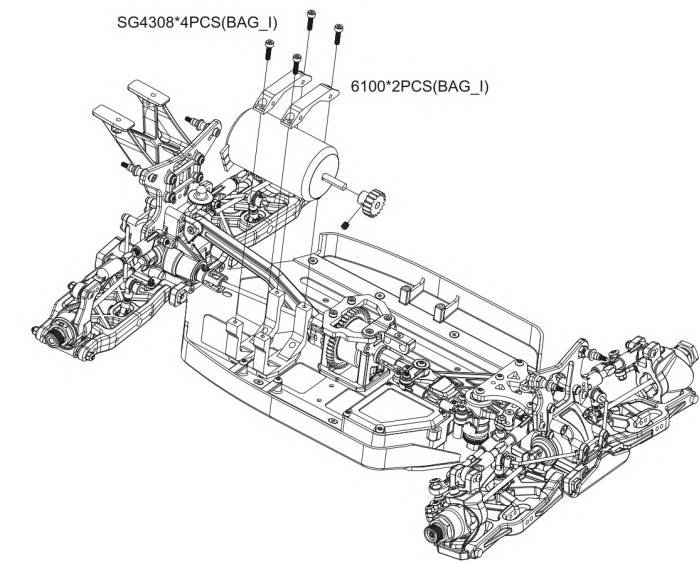
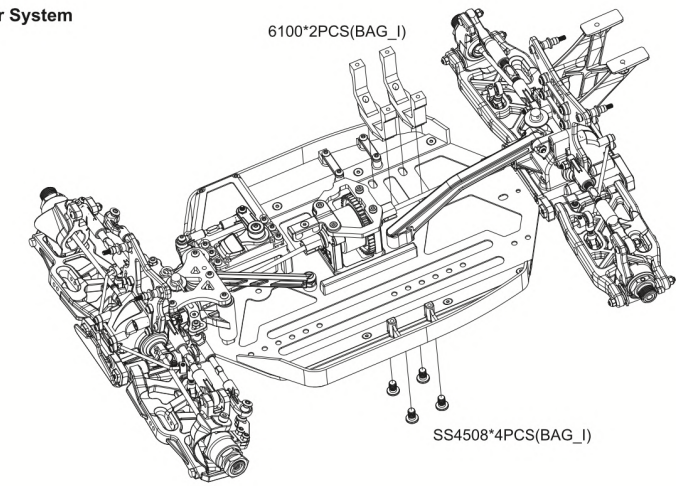
## STEP - 5

### Radio Tray Installation



## STEP - 6

### Motor System

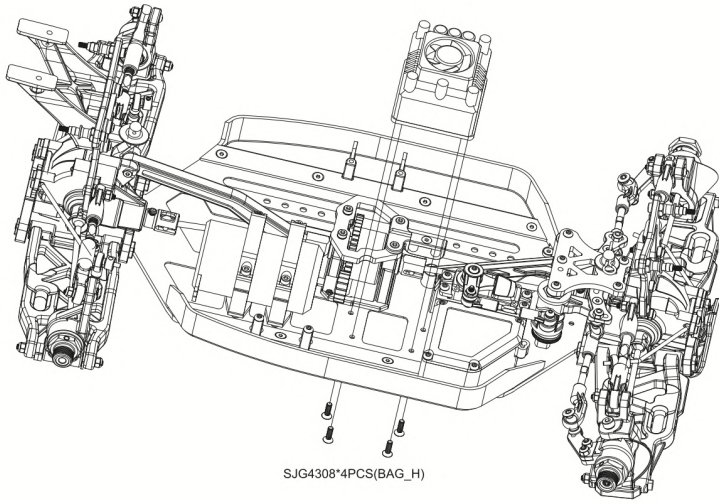
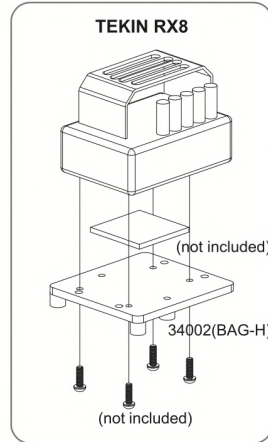
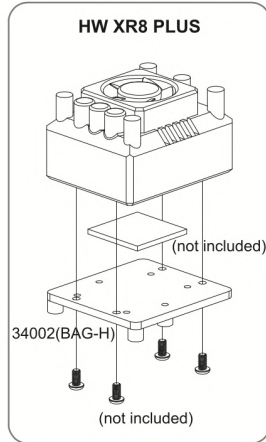


# CHASSIS INSTALL



## STEP - 7

### ESC System

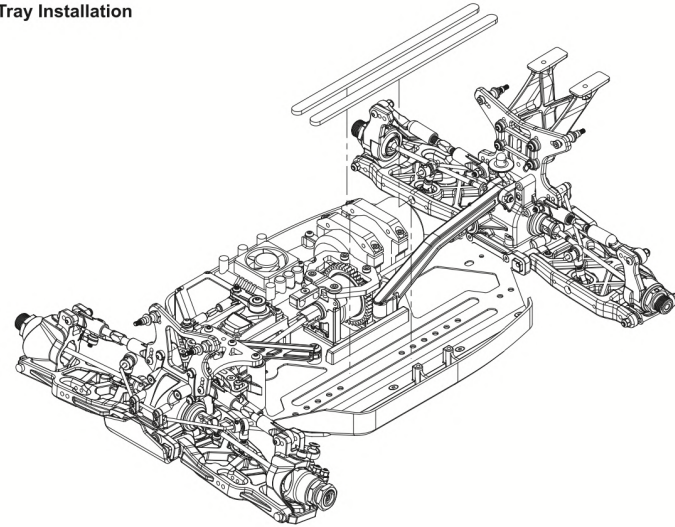


# CHASSIS INSTALL

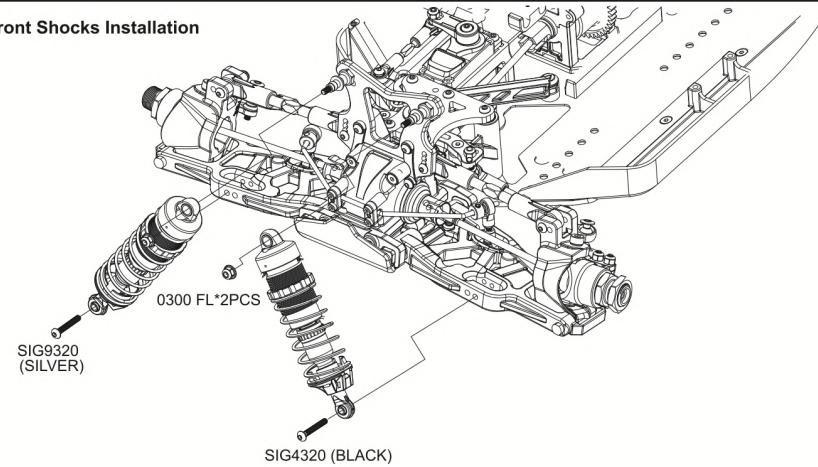


## STEP - 8

### Battery Tray Installation

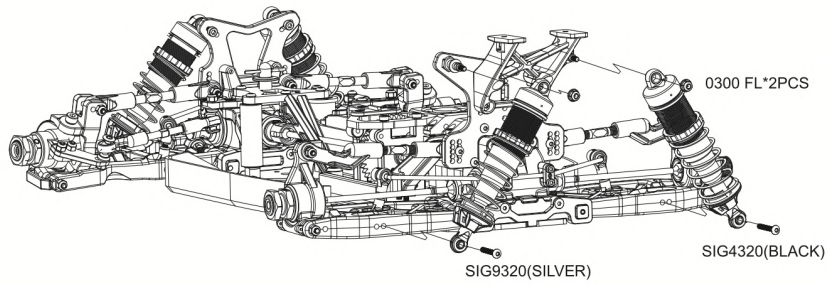


### Front Shocks Installation

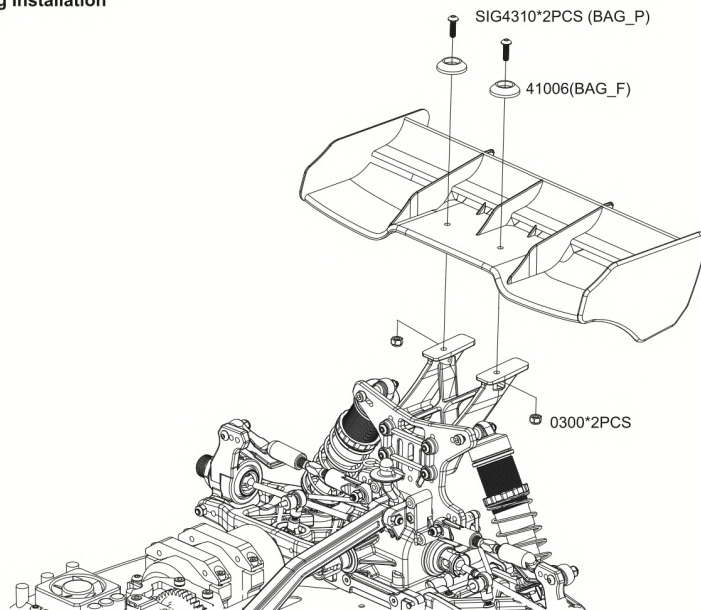


## STEP - 9

### Rear Shocks Installation

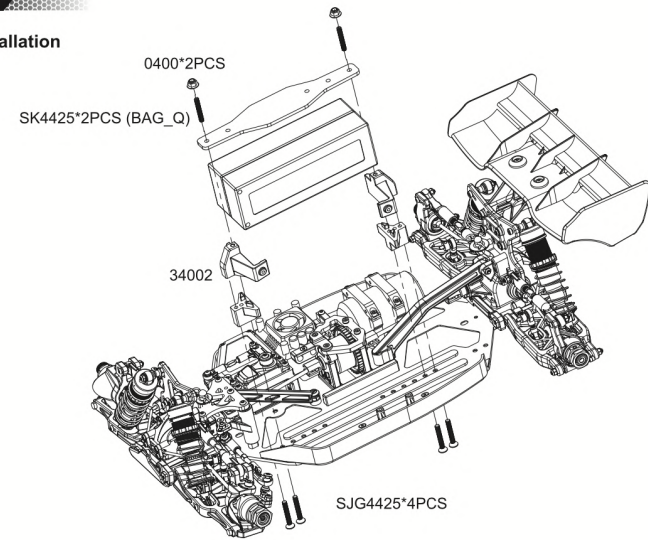


### Wing Installation

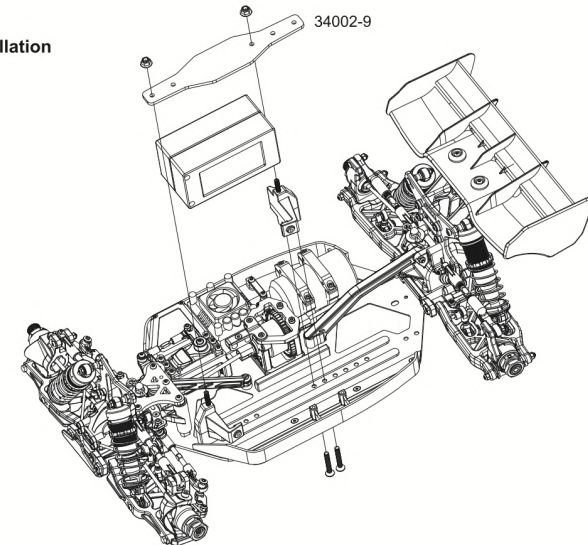


## STEP - 10

### Battery Tray Installation



### Shorty Battery Installation



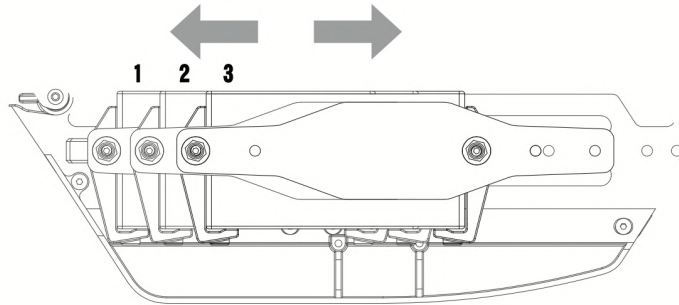


# CHASSIS INSTALL

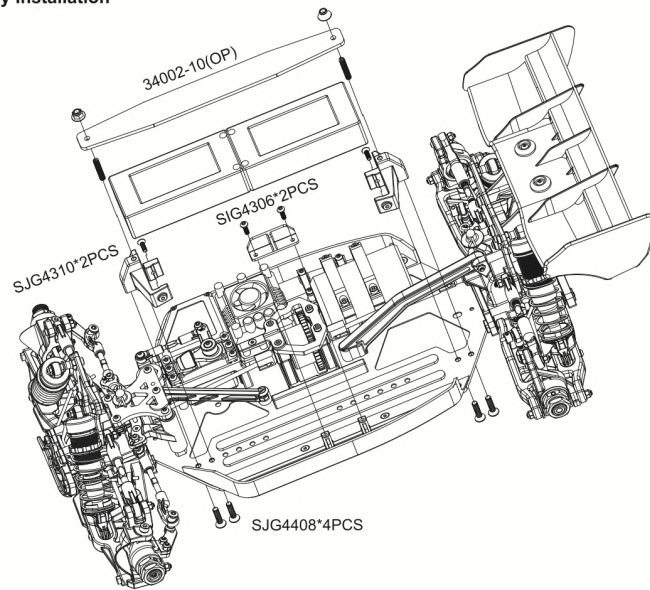


## STEP - 11

### Shorty Battery Installation



### Shorty Battery Installation

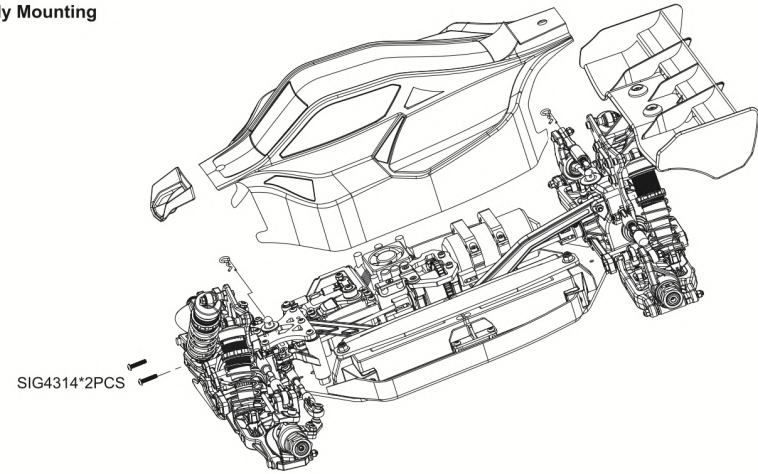


# CHASSIS INSTALL

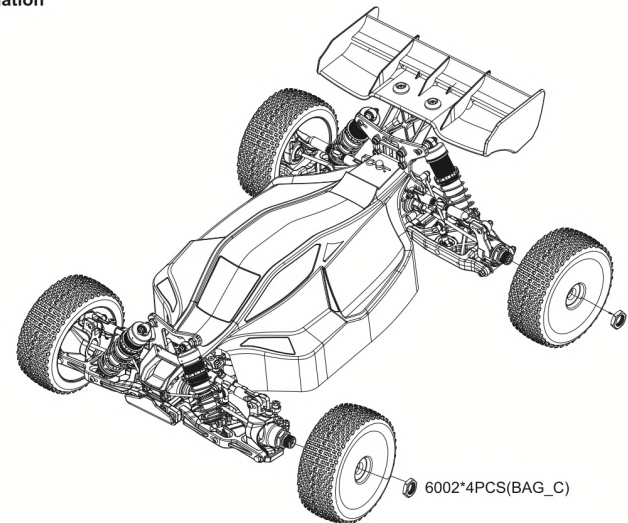


## STEP - 12

### Body Mounting



### Tire Installation



**TRACK CONDITIONS**  Indoor  Tight  Smooth  Hard Packed  Blue Groove  
 Wet  Low Bite  High Bite  Outdoor  Open  Rough  Loose/Loamy  
 Dry  Dusty  Med Bite  Other

**ELECTRIC** ESC  MOTOR  BATTERY   
**SPUR GEAR** T PINION GEAR T Shoes  3  4 Spring mm  
**DIFF** Front 10000 Oil # Center 10000 Oil # Rear 5000 Oil #  
 12 T X 39 T Spur gear 49 T 12 T X 39 T

**FRONT SUSPENSION**

**FRONT TOE ANGLE** **CASTER ANGLE**  
 1 Deg. 13° 16° 17.5° Other

**ANTI ROLL BAR** FRONT  
 #8019 U Type 1.8mm  
 #8021 U Type 2.1mm  
 #8023 U Type 2.3mm  
 #8024 U Type 2.4mm  
 #8025 U Type 2.5mm  
 others

**KICK UP** **TOE ANGLE**  
 FF  Y  O  B  FR  Y  O  B

**FRONT SHOCK**  
 Oil # **45**  
**PISTON**  
 #0096-0815 6x1.5mm  
 #0096-0812 6x1.2mm  
 #0096-0813 6x1.3mm  
 others  
**CONE OF PISTON**  DOWN  UP  
**SHOCK SPRINGS**  
 #0096-0815 Black-Pink dot  
 #0096-0812 Gray-Orange dot  
 #0096-0813 Black-Yellow dot  
 #0096-0815 Gray-Blue dot  
 others

**ANTI SQUAT** **TOE ANGLE**  
 RF  Y  O  B  RR  Y  O  B

**WHEEL BASE**  
 Washer 4 mm 0 mm  
 3 pcs 0 pcs

**REAR SUSPENSION**

**FRONT TOE ANGLE** **CASTER ANGLE**  
 0 mm 3 mm

**ANTI ROLL BAR** REAR  
 #8322 U Type 2.2mm  
 #8324 U Type 2.3mm  
 #8325 U Type 2.4mm  
 #8326 W Type 2.6mm  
 #8328 W Type 2.8mm  
 #8330 W Type 3.0mm  
 others

**REAR SHOCK**  
 Oil # **40**  
**PISTON**  
 #0096-0815 6x1.5mm  
 #0096-0812 6x1.2mm  
 #0096-0813 6x1.3mm  
 others  
**CONE OF PISTON**  DOWN  UP  
**SHOCK SPRINGS**  
 #0096-0815 Black-Pink dot  
 #0096-0812 Gray-Orange dot  
 #0096-0813 Black-Yellow dot  
 #0096-0815 Gray-Blue dot  
 others

**ACKERMAN** **RIDE HEIGHT** **WING**

OP Long  
Short  
Front 26 mm Rear 28 mm  
Front 101 mm Rear 119 mm

**TRACK CONDITIONS**  Indoor  Tight  Smooth  Hard Packed  Blue Groove  
 Wet  Low Bite  High Bite  Outdoor  Open  Rough  Loose/Loamy  
 Dry  Dusty  Med Bite  Other

**ELECTRIC** ESC  MOTOR  BATTERY   
**SPUR GEAR** T PINION GEAR T Shoes  3  4 Spring mm  
**DIFF** Front Oil # Center Oil # Rear Oil #  
 T X T Spur gear T T X T

**FRONT SUSPENSION**

**FRONT TOE ANGLE** **CASTER ANGLE**  
 Deg. 13° 16° 17.5° Other

**ANTI ROLL BAR** FRONT  
 #8019 U Type 1.8mm  
 #8021 U Type 2.1mm  
 #8023 U Type 2.3mm  
 #8024 U Type 2.4mm  
 #8025 U Type 2.5mm  
 others

**KICK UP** **TOE ANGLE**  
 FF  Y  O  B  FR  Y  O  B

**FRONT SHOCK**  
 Oil # \_\_\_\_\_  
**PISTON**  
 #0096-0815 6x1.5mm  
 #0096-0812 6x1.2mm  
 #0096-0813 6x1.3mm  
 others  
**CONE OF PISTON**  DOWN  UP  
**SHOCK SPRINGS**  
 #0096-0815 Black-Pink dot  
 #0096-0812 Gray-Orange dot  
 #0096-0813 Black-Yellow dot  
 #0096-0815 Gray-Blue dot  
 others

**ANTI SQUAT** **TOE ANGLE**  
 RF  Y  O  B  RR  Y  O  B

**WHEEL BASE**  
 Washer mm mm  
 pcs pcs

**REAR SUSPENSION**

**FRONT TOE ANGLE** **CASTER ANGLE**  
 mm mm

**ANTI ROLL BAR** REAR  
 #8322 U Type 2.2mm  
 #8324 U Type 2.3mm  
 #8325 U Type 2.4mm  
 #8326 W Type 2.6mm  
 #8328 W Type 2.8mm  
 #8330 W Type 3.0mm  
 others

**REAR SHOCK**  
 Oil # \_\_\_\_\_  
**PISTON**  
 #0096-0815 6x1.5mm  
 #0096-0812 6x1.2mm  
 #0096-0813 6x1.3mm  
 others  
**CONE OF PISTON**  DOWN  UP  
**SHOCK SPRINGS**  
 #0096-0815 Black-Pink dot  
 #0096-0812 Gray-Orange dot  
 #0096-0813 Black-Yellow dot  
 #0096-0815 Gray-Blue dot  
 others

**ACKERMAN** **RIDE HEIGHT** **WING**

OP Long  
Short  
Front mm Rear mm  
Front mm Rear mm

**A319E**



**1/8 SCALE 4WD EP  
OFFROAD BUGGY**

U.J. ENTERPRISE CO., LTD.  
E-mail: [contact@agama-rc.com](mailto:contact@agama-rc.com)