

agagama

www.agama-rc.com

A215



Instruction Manual

***1/8 SCALE 4WD
NITRO OFFROAD TRUGGY***

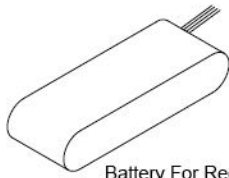
Agama vehicles fit a wide range of skilled drivers. Pros and Beginners alike can experience Agama products with great results! Agama products are designed with quality and precision in mind.

Made in Taiwan

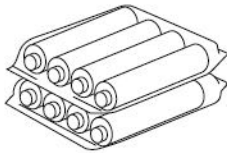
INTRODUCTION	01
CAUTION	02
BAG A Front / Rear / Center Diff. Installation	03-05
BAG B Shock Install (Front & Rear)	06-07
BAG C Front Spindle & CVD Installation	08
BAG D Front End Installation	09-12
BAG E Rear Hub & CVD Installation	13
BAG F Rear End Installation	14-17
BAG G Center Diff. / Brake Installation	18-19
BAG H Switch / Antenna tube Installation	20
BAG I Clutch bell / Engine mount Assembly	21-22
BAG J Servo Saver / Steering Assembly	23-24
BAG K Stone Guard Installation	25
BAG L Throttle / Brake Assembly	26
BAG M Air Filter Assembly	27
CHASSIS INSTALLATION	28-34
FACTORY SETUP SHEET	35-38

Notice: The following items are needed for completion of the PRO KIT, They are not included with this kit (unless noted), and should be obtained from your local hobby shop.
Be sure to read the instructions completely prior to assembly.

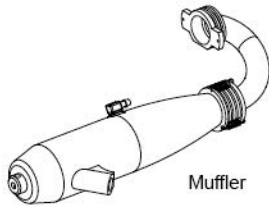
ADDITIONAL ITEMS NEEDED FOR COMPLETION



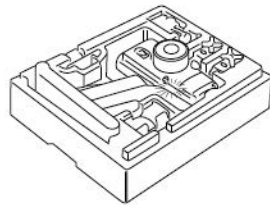
Battery For Receiver



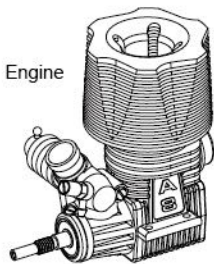
Battery For Transmitter



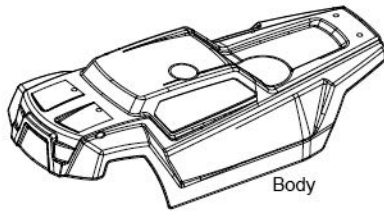
Muffler



2 Channel Radio

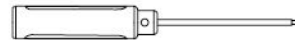


Engine

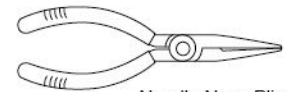


Body

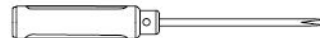
TOOLS NEEDED TO ASSEMBLE



Hex Wrenches



Needle Nose Pliers



Phillips Type Screw Driver



Scissors



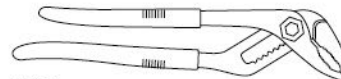
Box Wrench(5.5mm / 7mm / 10mm)



Hobby Knife



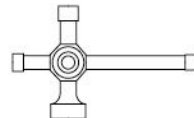
Instant Glue



Pliers



Screw (Sement)



Utility Wrench

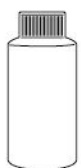


Glass or Vinyl Tape



Rubber Glue

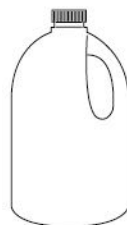
ADDITIONAL ITEMS NEEDED FOR STARTING



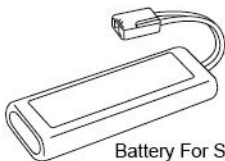
Air Filter Oil



Fuel Pump



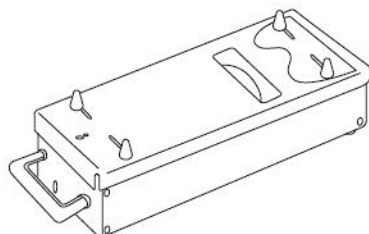
Fuel



Battery For Starter Box

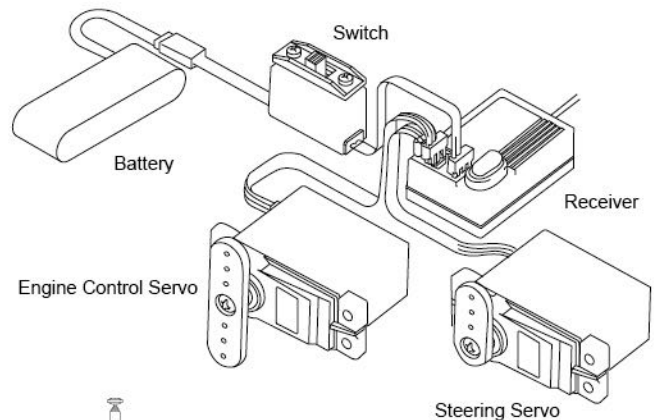


Glow Plug Ignitor



Starter Box

ITEMS NEEDED TO CONTROL CAR



Battery

Switch

Receiver

Engine Control Servo

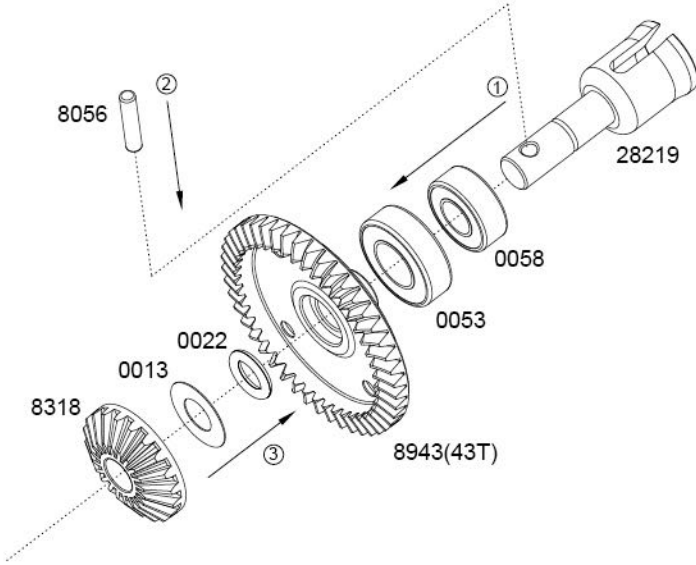
Steering Servo



Transmitter

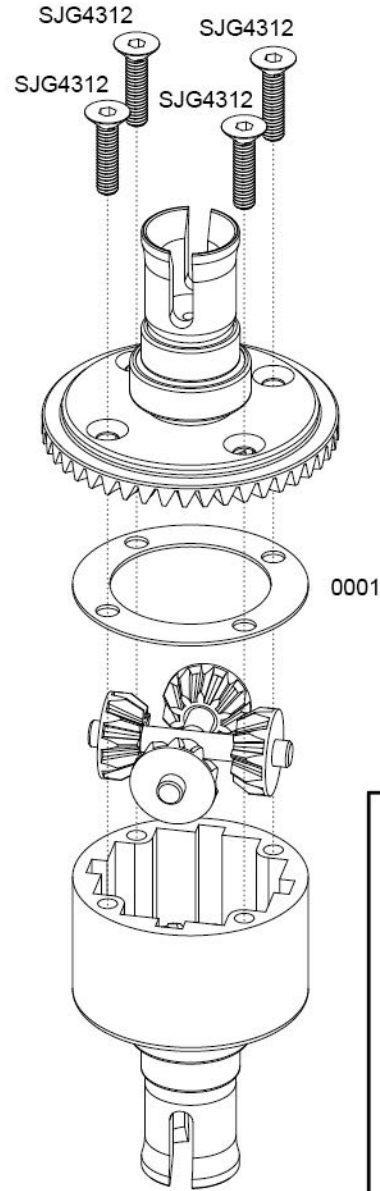
STEP A - 1

Front Diff Ring Gear Assembly



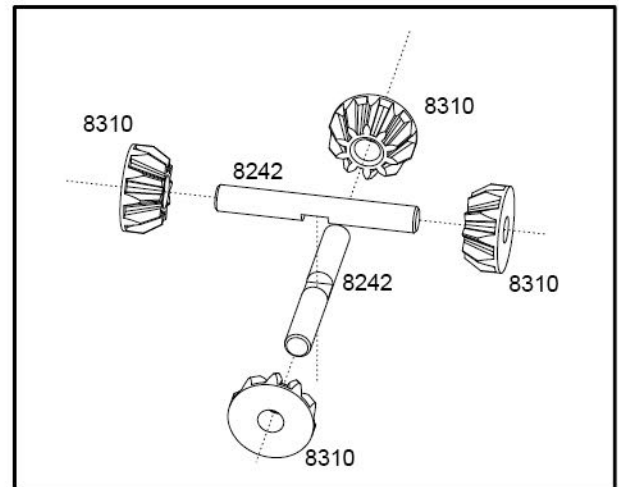
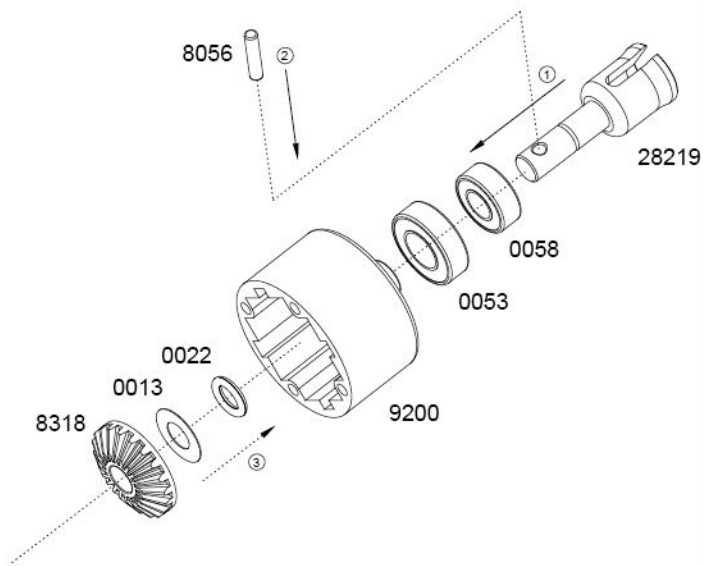
STEP A - 3

Complete Front Diff Assembly



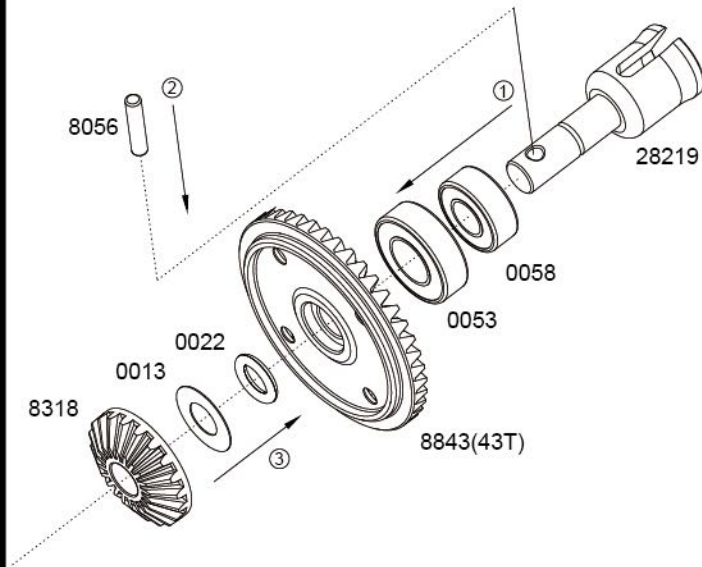
STEP A - 2

Front Diff Case Assembly



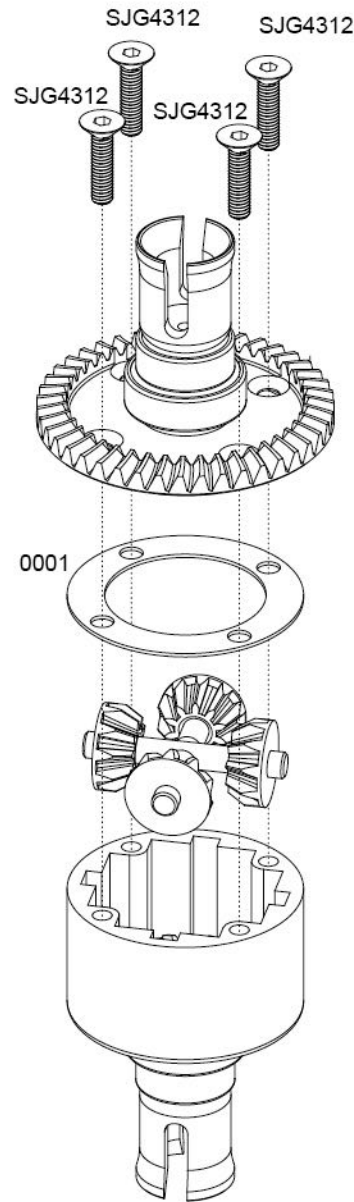
STEP A - 4

Rear Diff Ring Gear Assembly



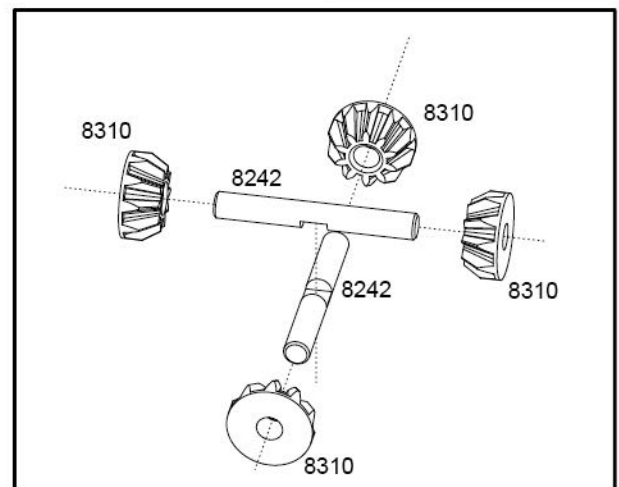
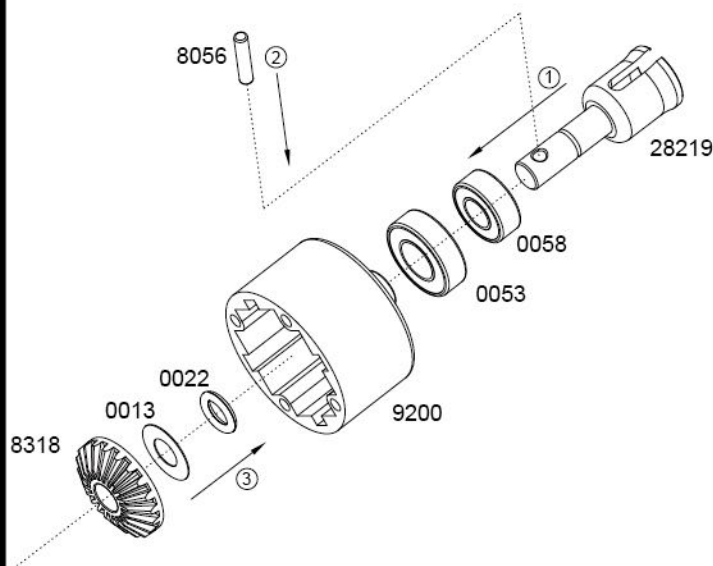
STEP A - 6

Complete Rear Diff Assembly



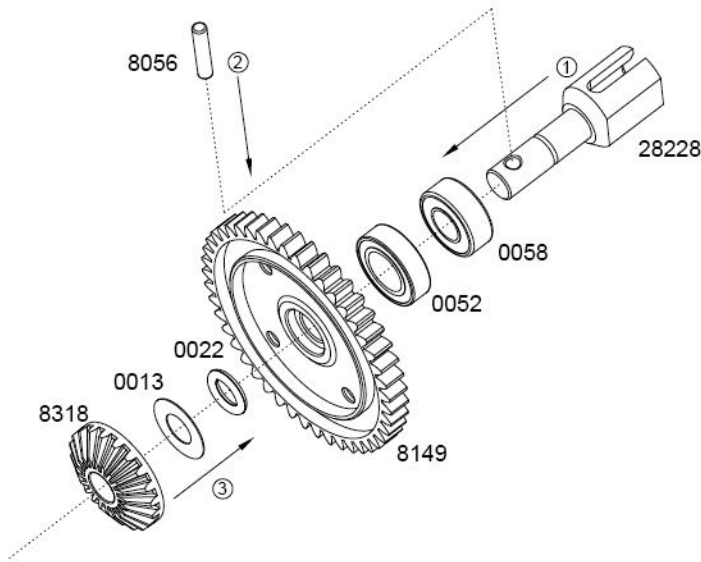
STEP A - 5

Rear Diff Case Assembly



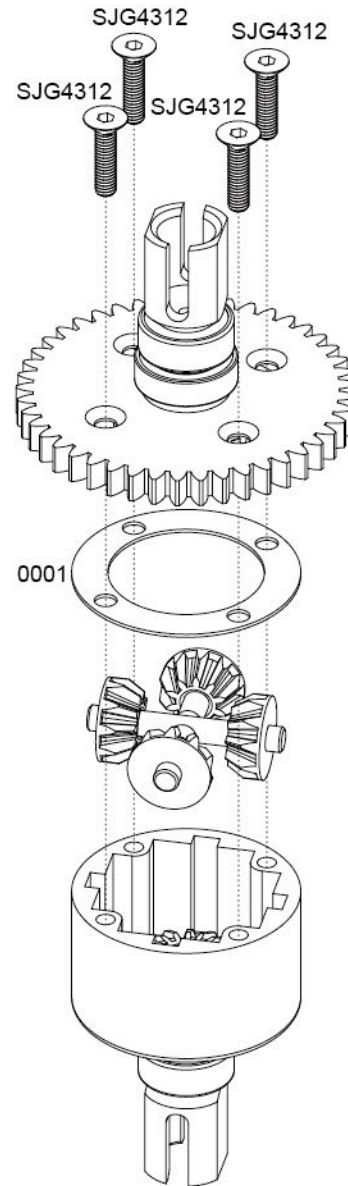
STEP A - 7

Center Diff Ring Gear Assembly

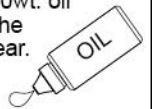


STEP A - 9

Complete Center Diff Assembly

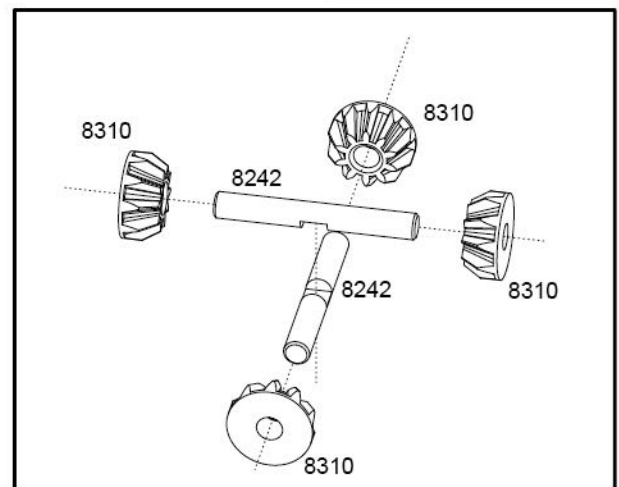
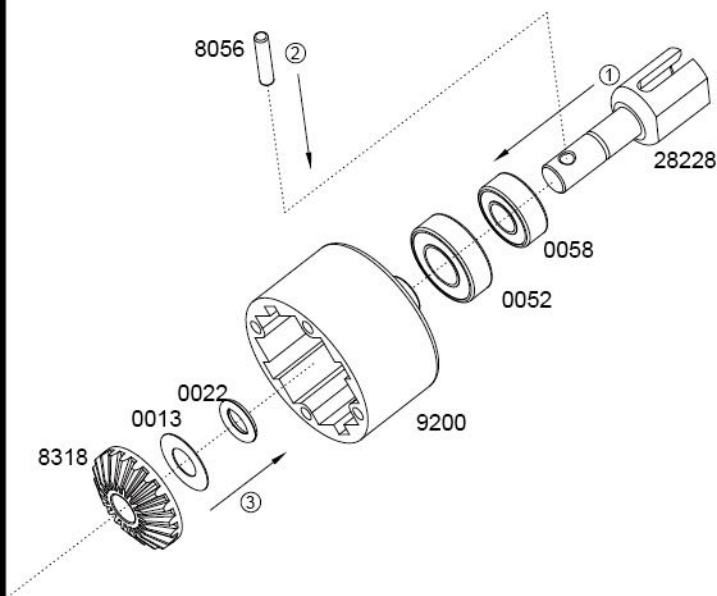


Fill with 7000wt. oil just above the planetary gear.



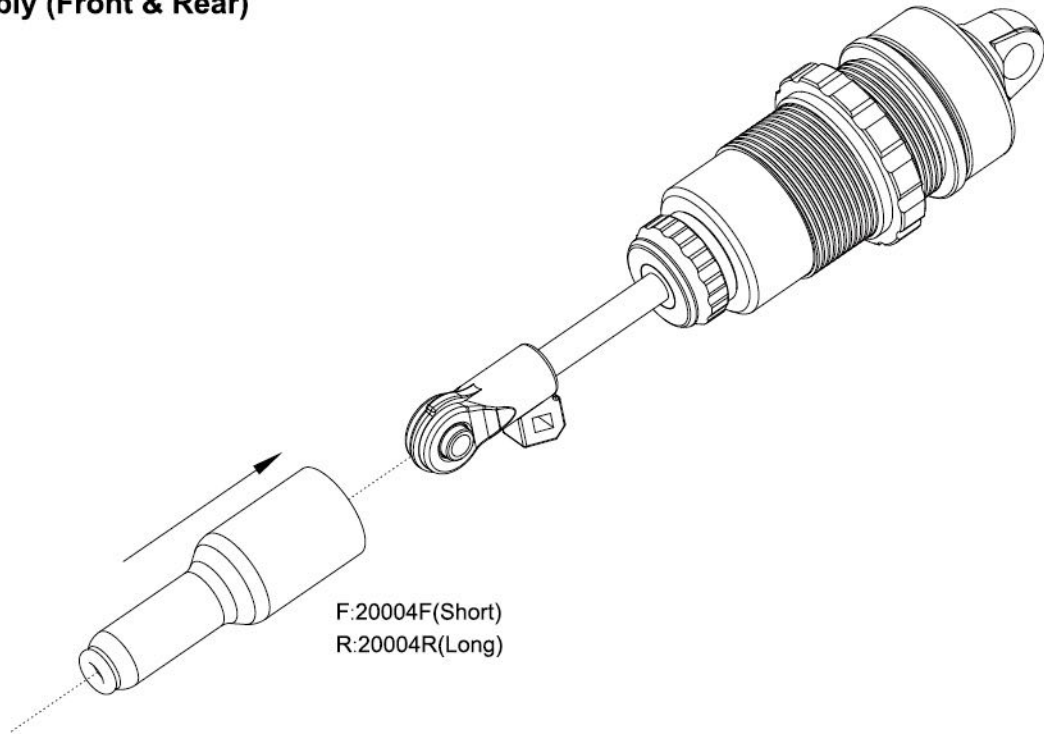
STEP A - 8

Center Diff Case Assembly



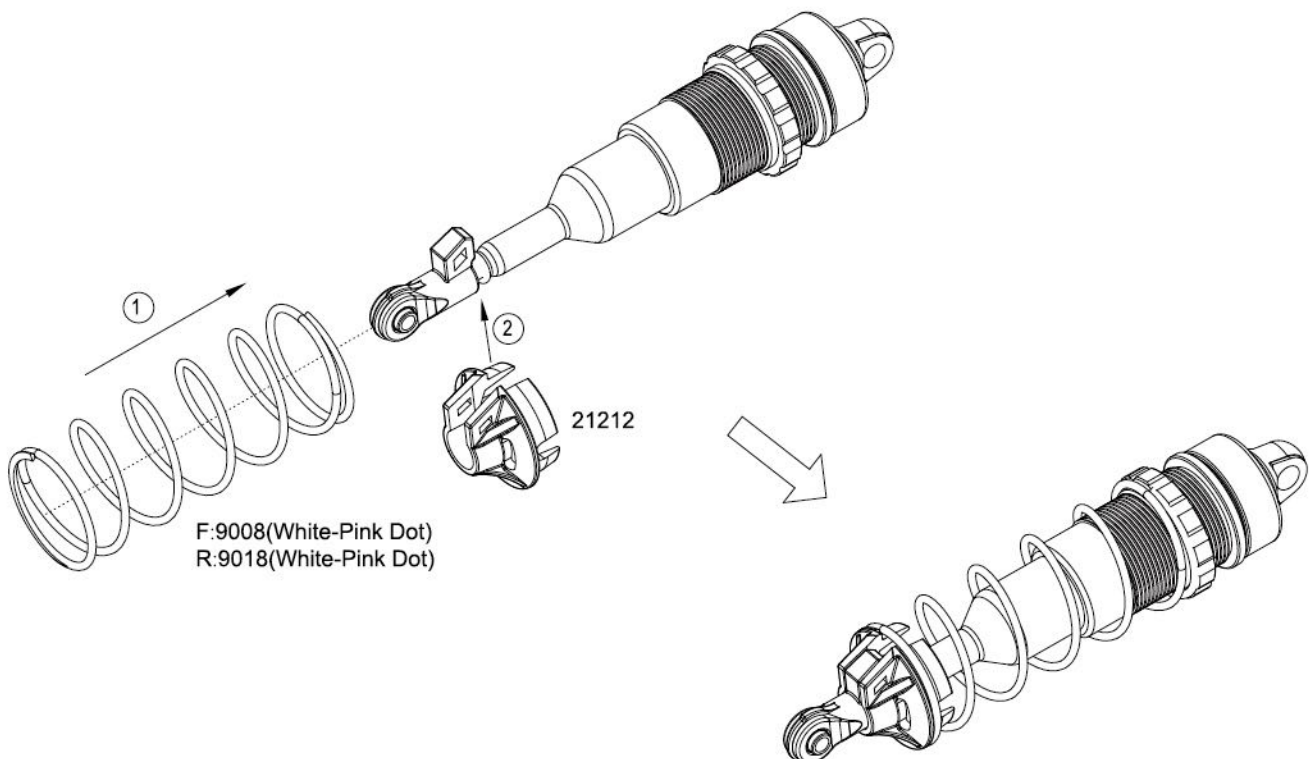
STEP B - 4

Shock Assembly (Front & Rear)



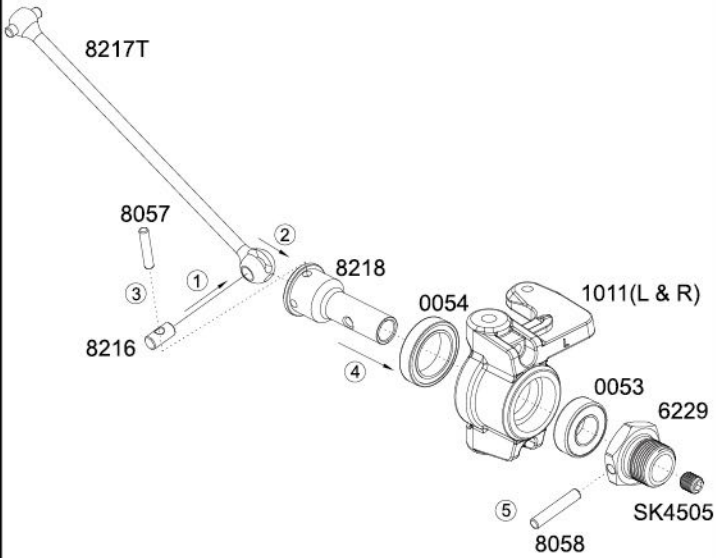
STEP B - 5

Shock Assembly (Front & Rear)



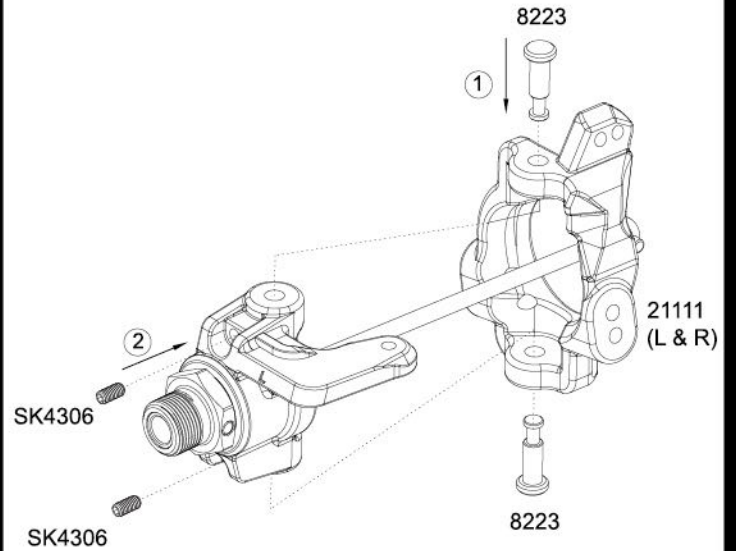
STEP C - 1

Front Spindle & CVD Assembly (Left/Right)



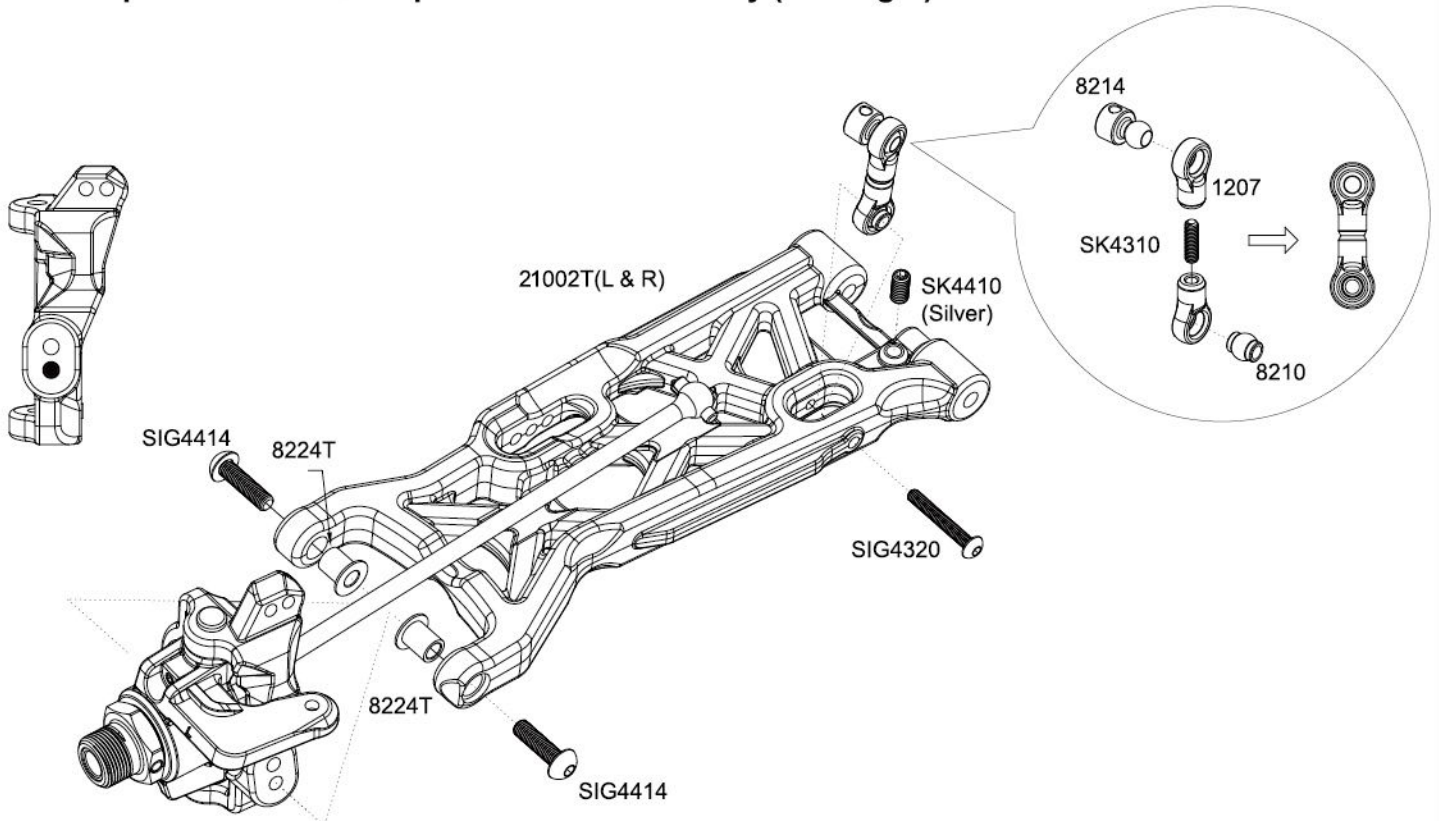
STEP C - 2

Front Spindle & Carrier Assembly (Left/Right)



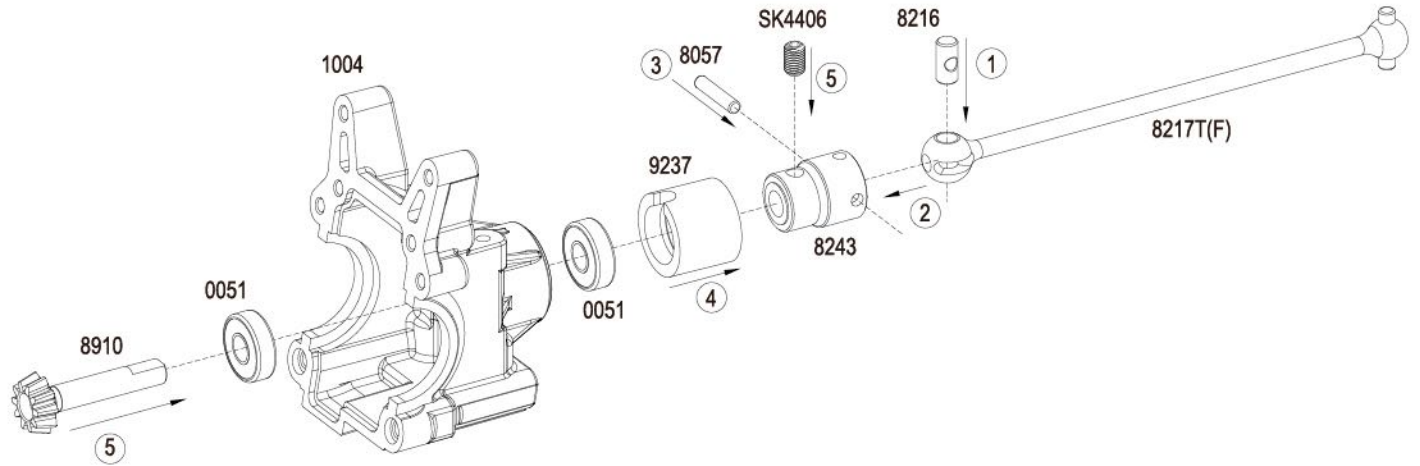
STEP C - 3

Front Spindle/Carrier & Suspension Arms Assembly (Left/Right)



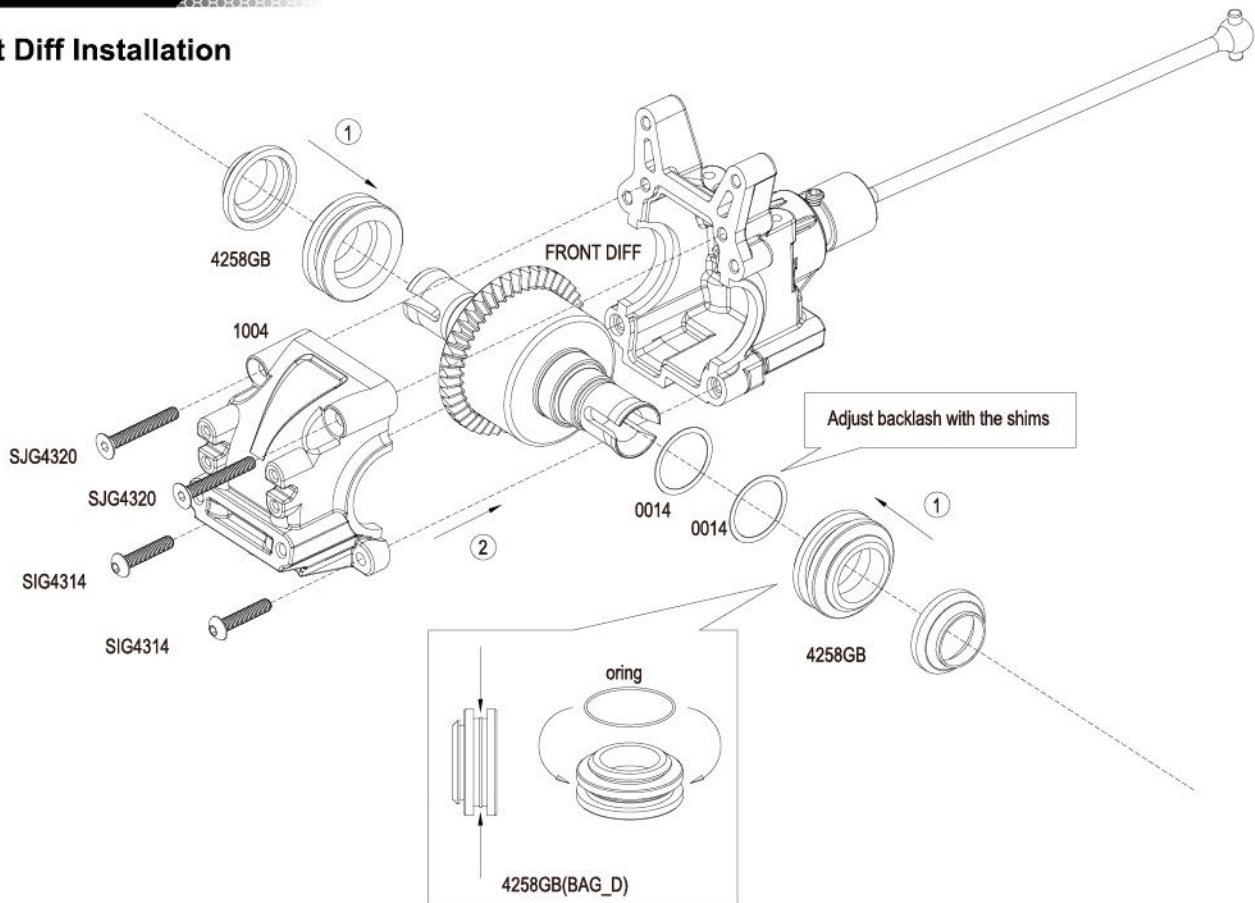
STEP D - 1

Front Diff Case & CVD Assembly



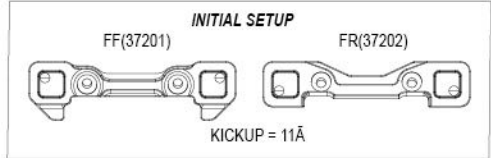
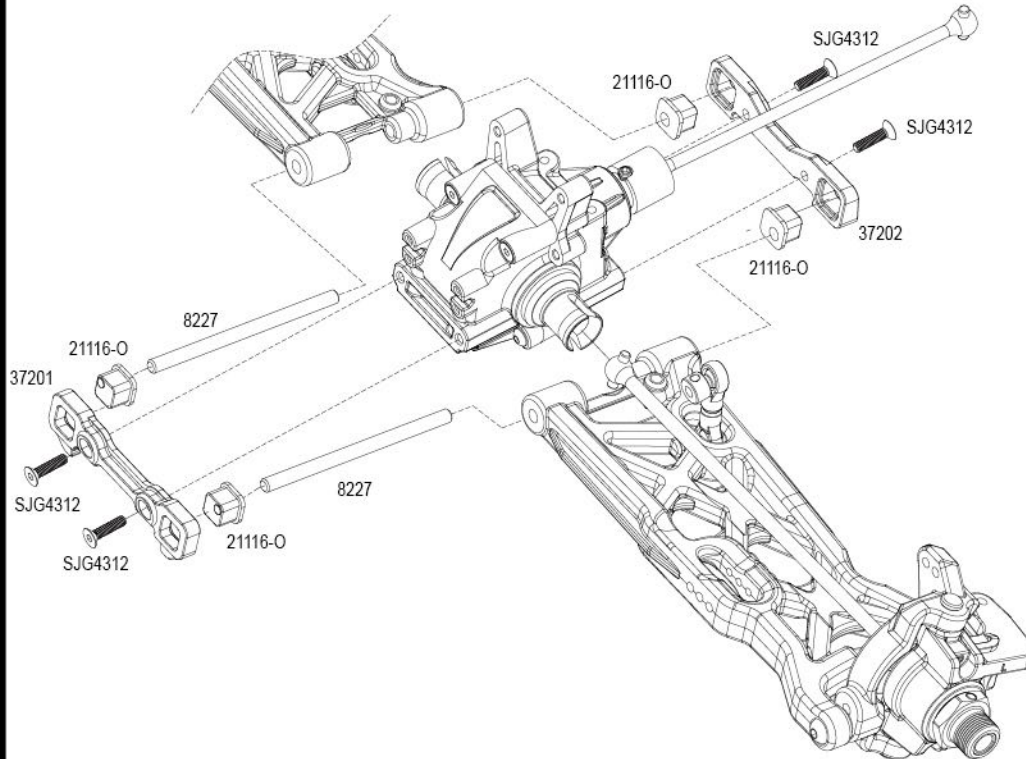
STEP D - 2

Front Diff Installation

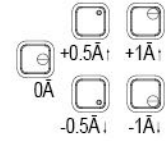


STEP D - 3

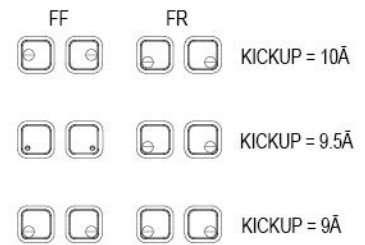
Front Suspension Arm Assembly



FRONT SUSPENSION KICKUP INSERTS CHART

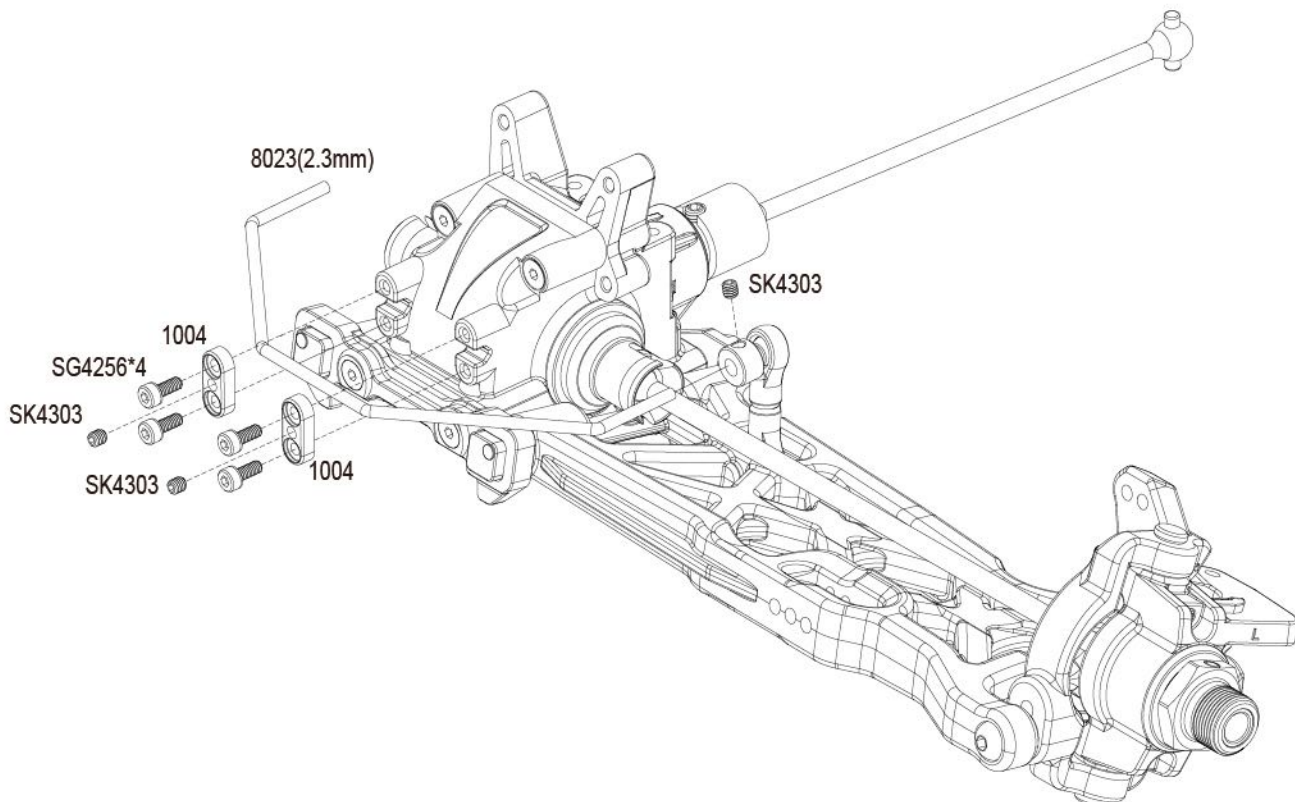


OTHER SETTING EXAMPLES



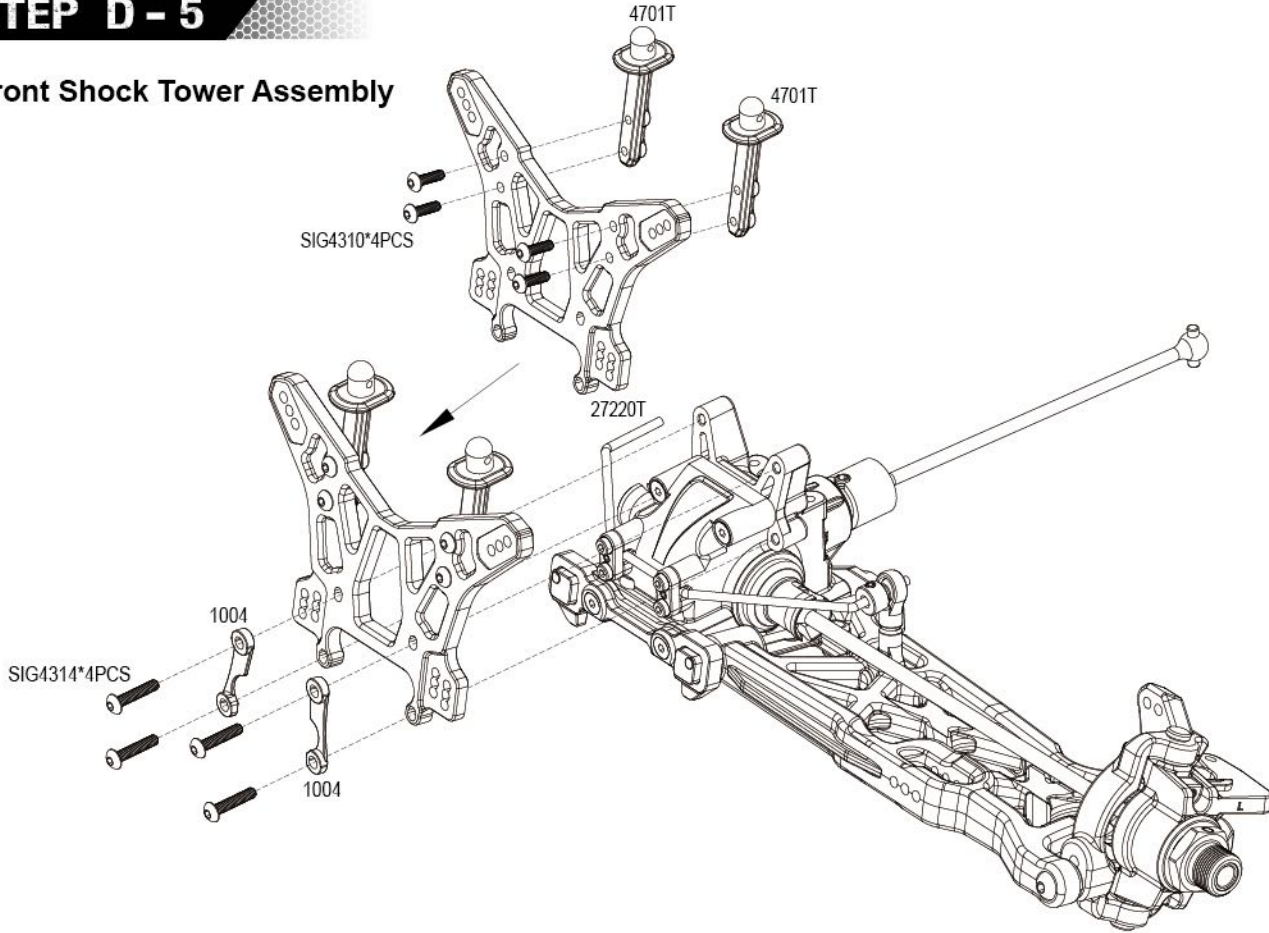
STEP D - 4

Front Swaybar Assembly



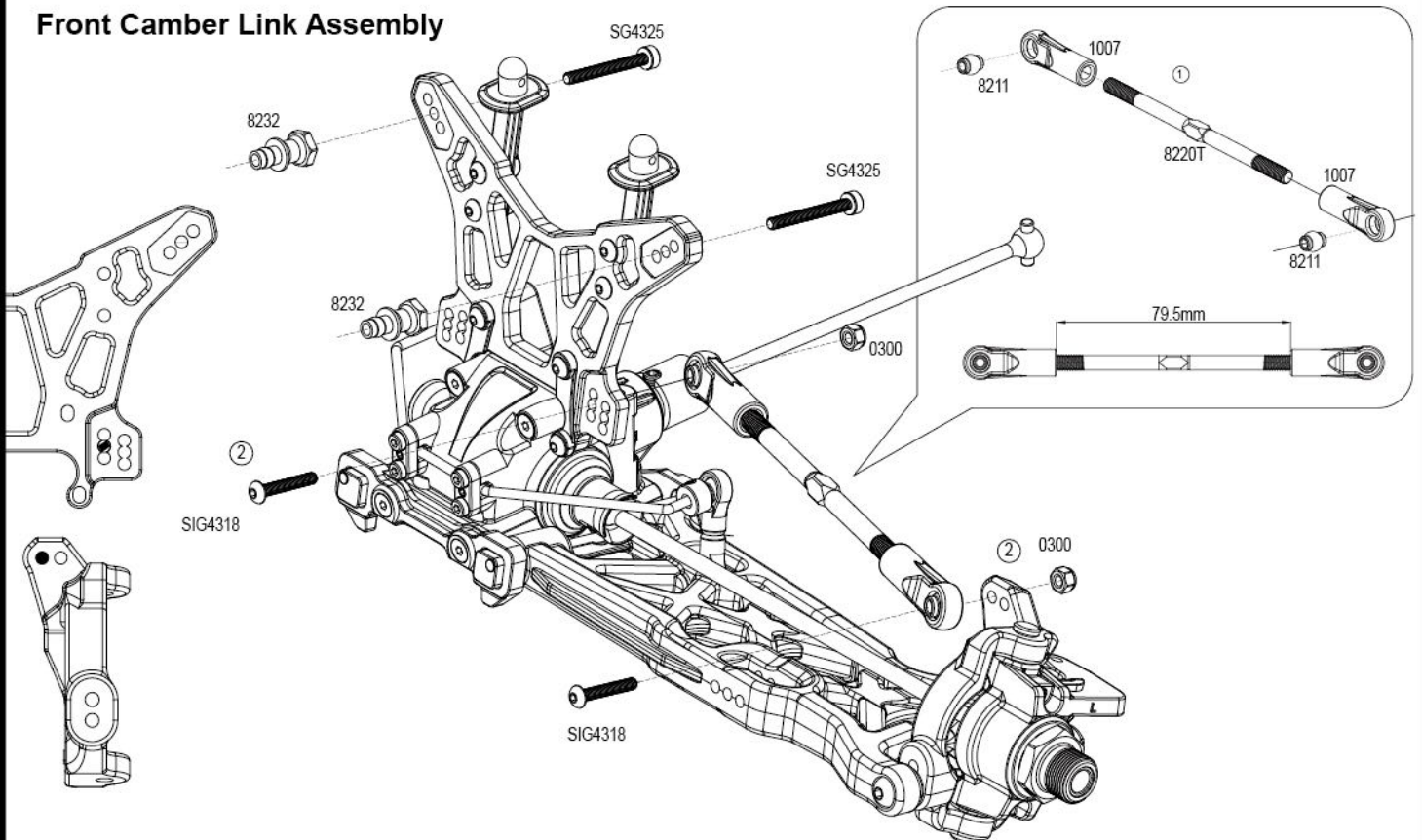
STEP D - 5

Front Shock Tower Assembly



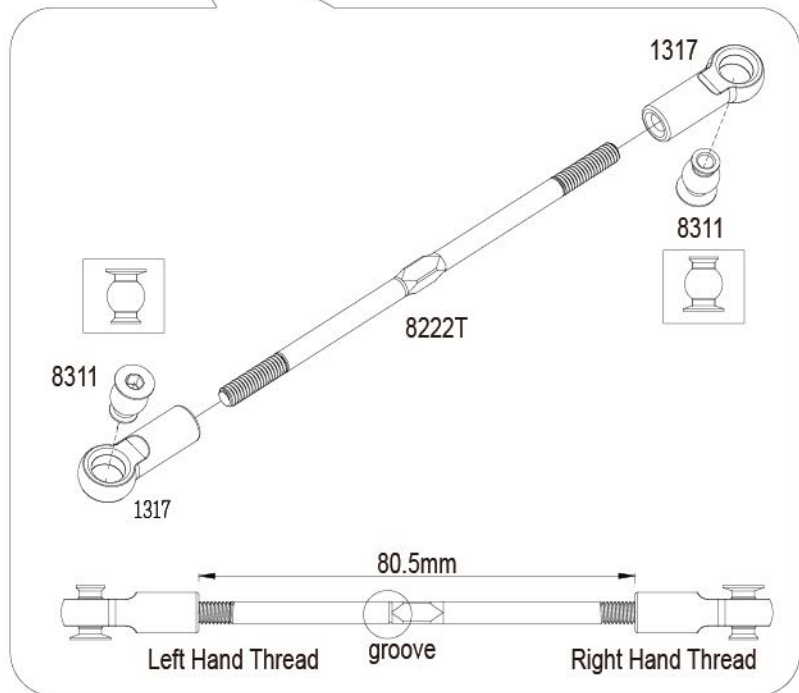
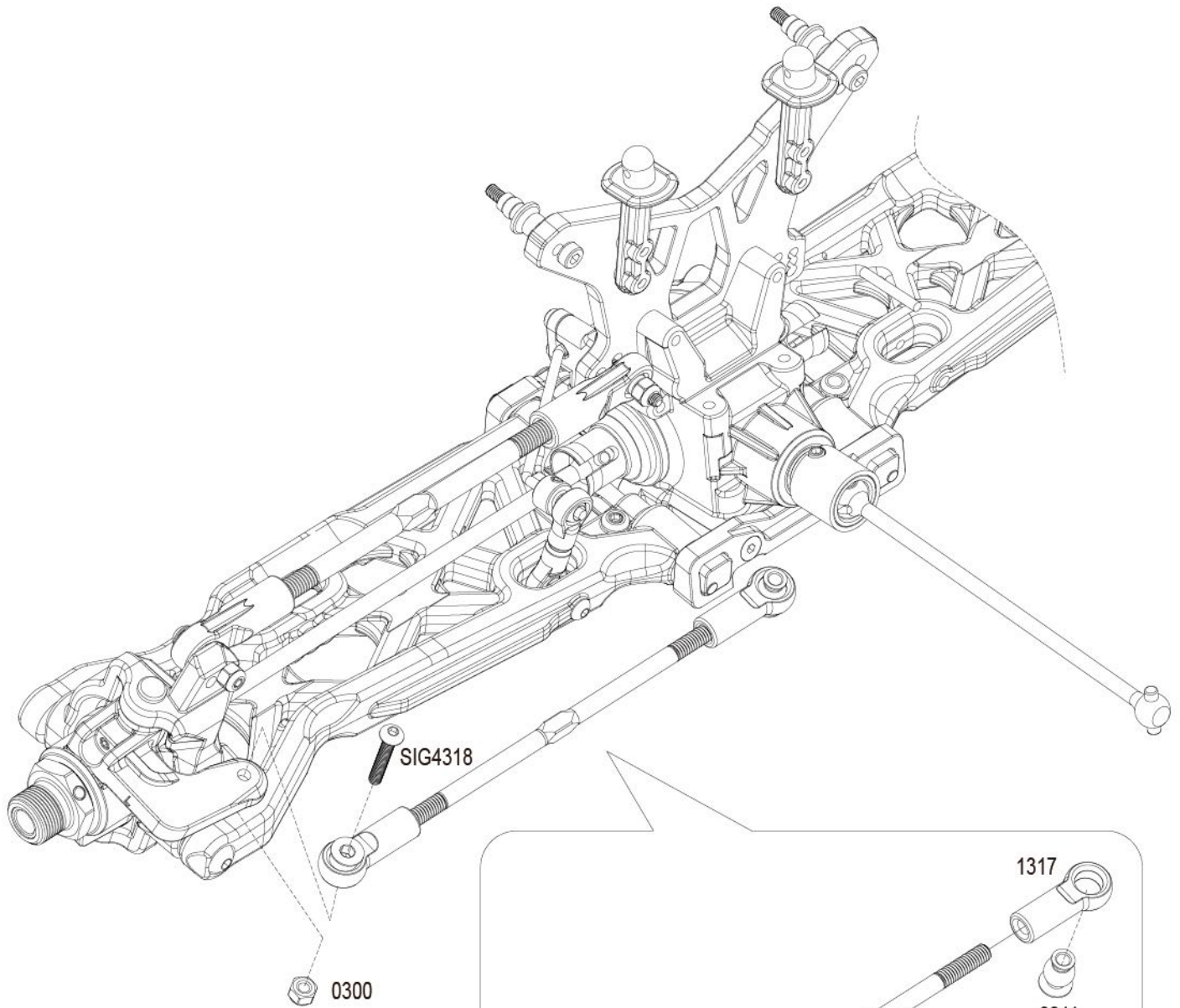
STEP D - 6

Front Camber Link Assembly



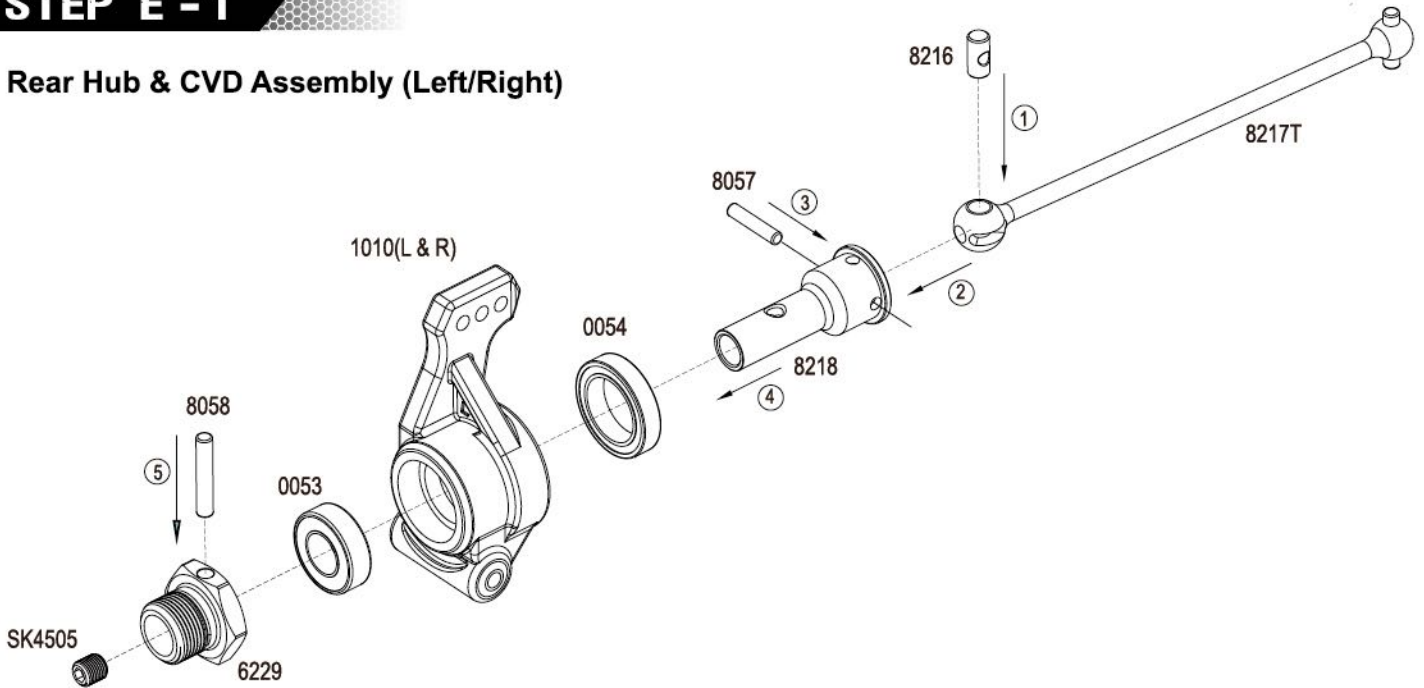
STEP D-7

Front Steering Link Assembly



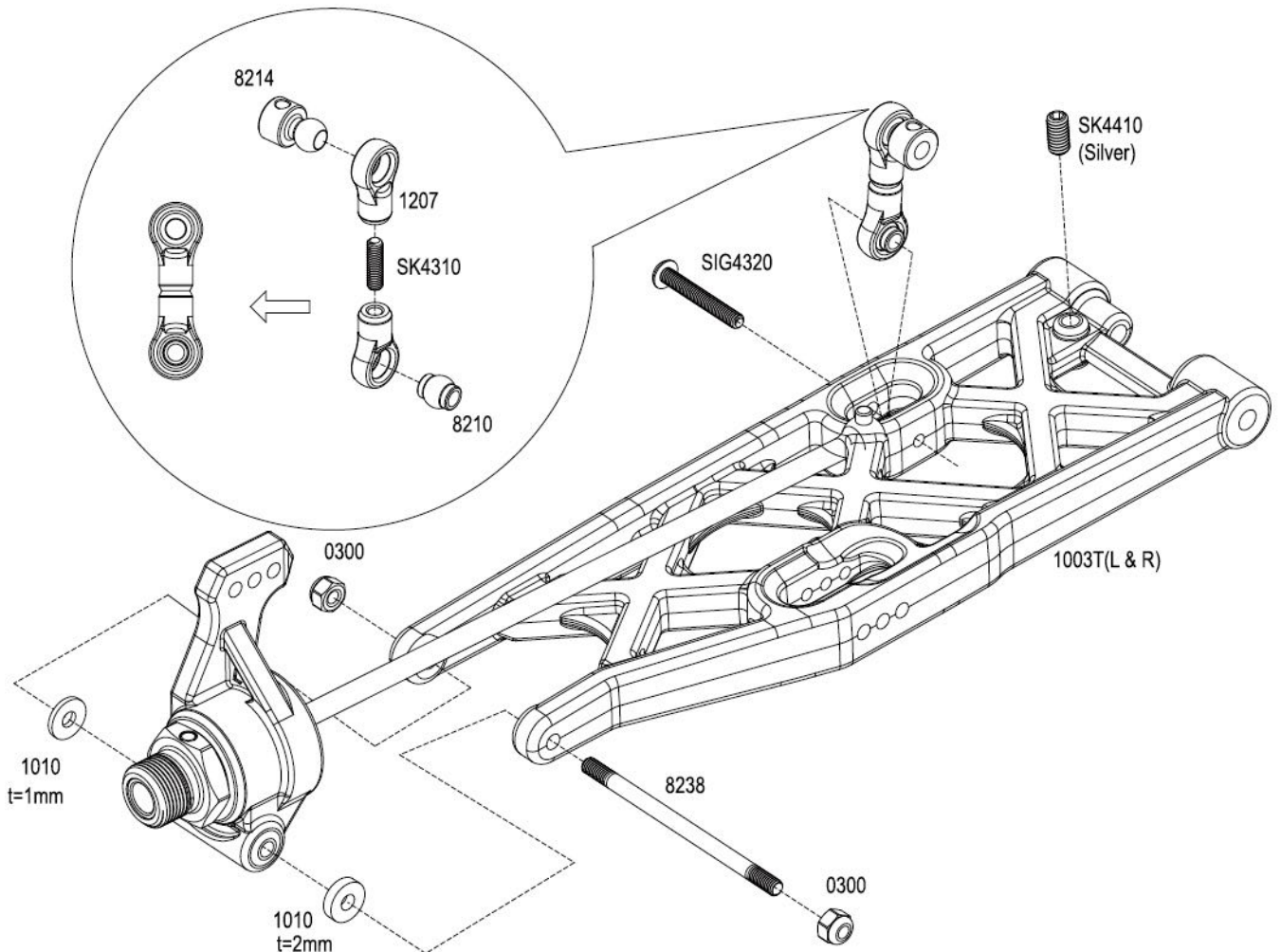
STEP E - 1

Rear Hub & CVD Assembly (Left/Right)



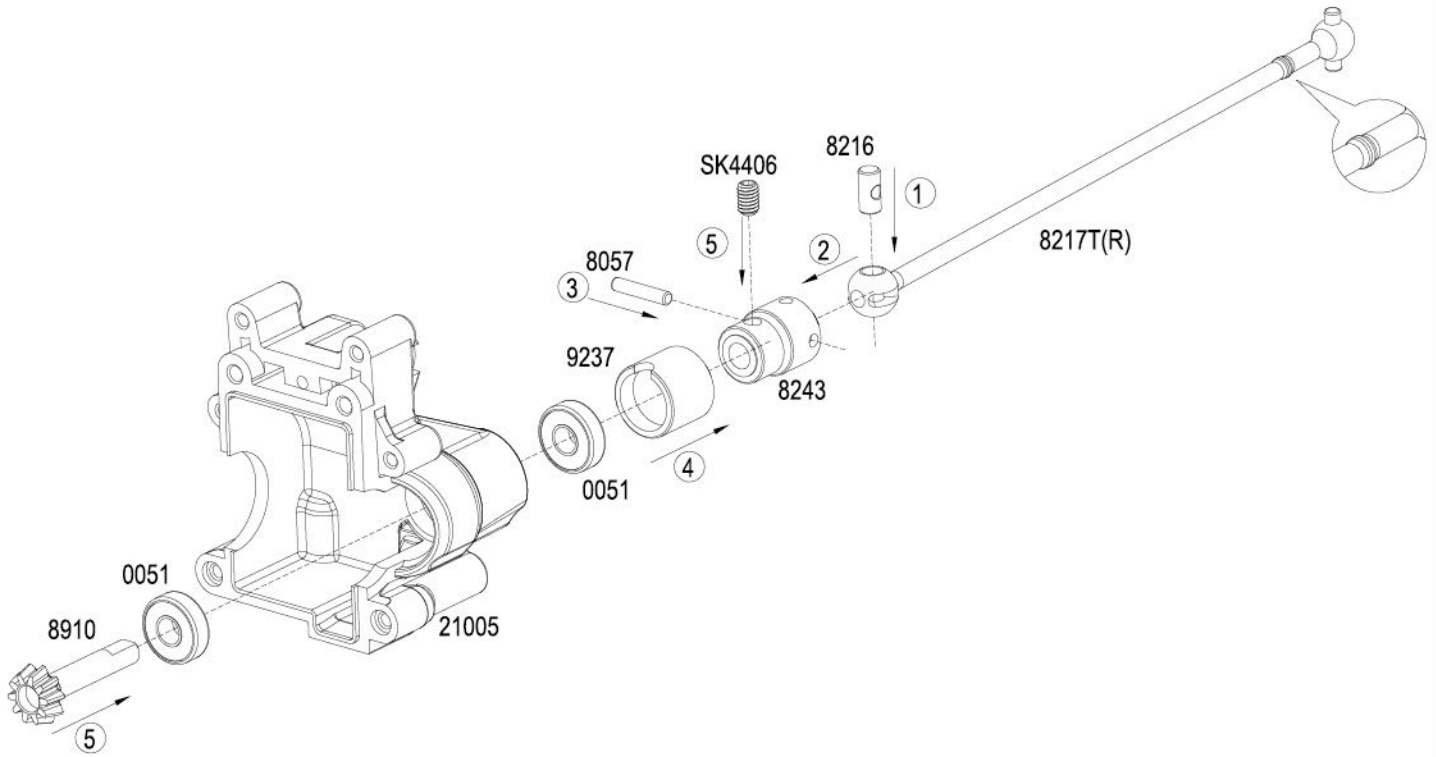
STEP E - 2

Rear Hub & CVD Assembly (Left/Right)



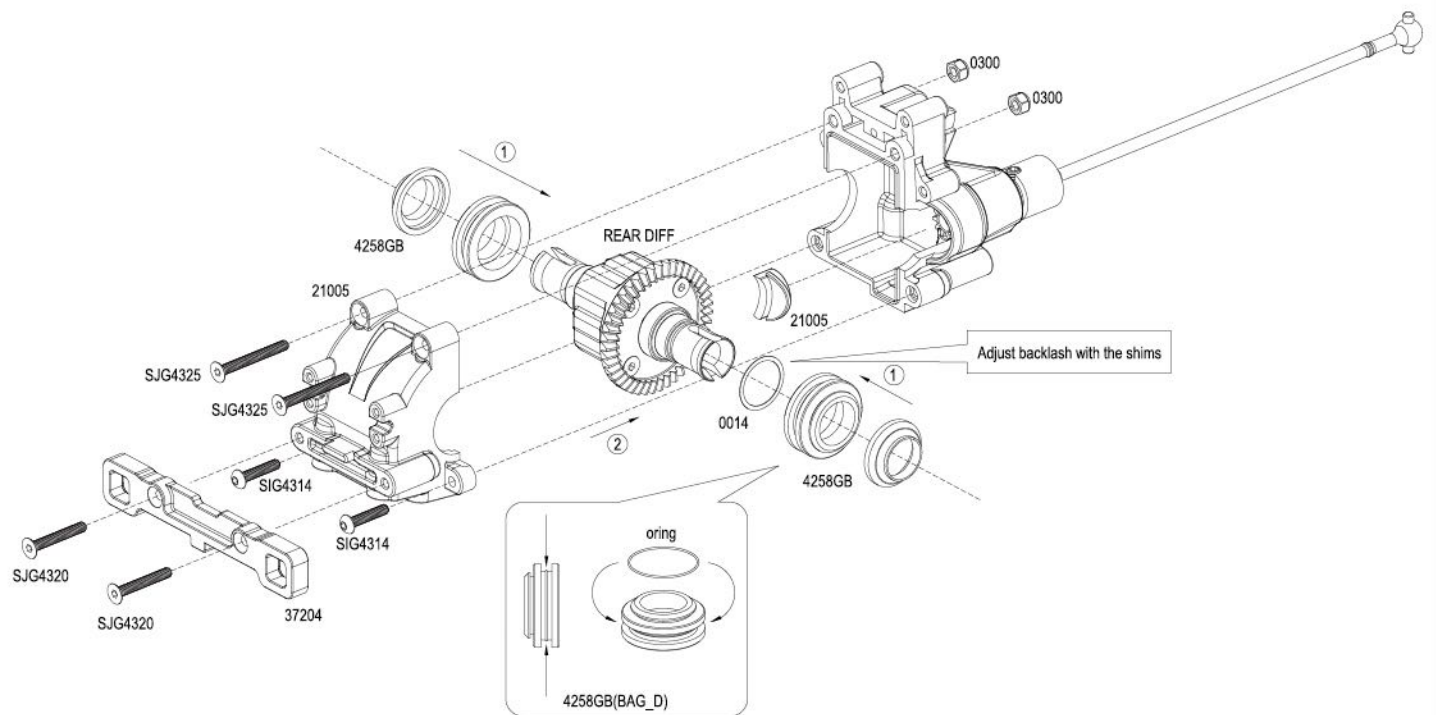
STEP F - 1

Rear Diff Case & CVD Assembly



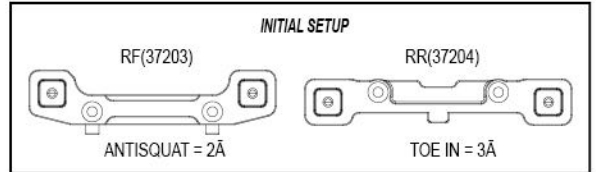
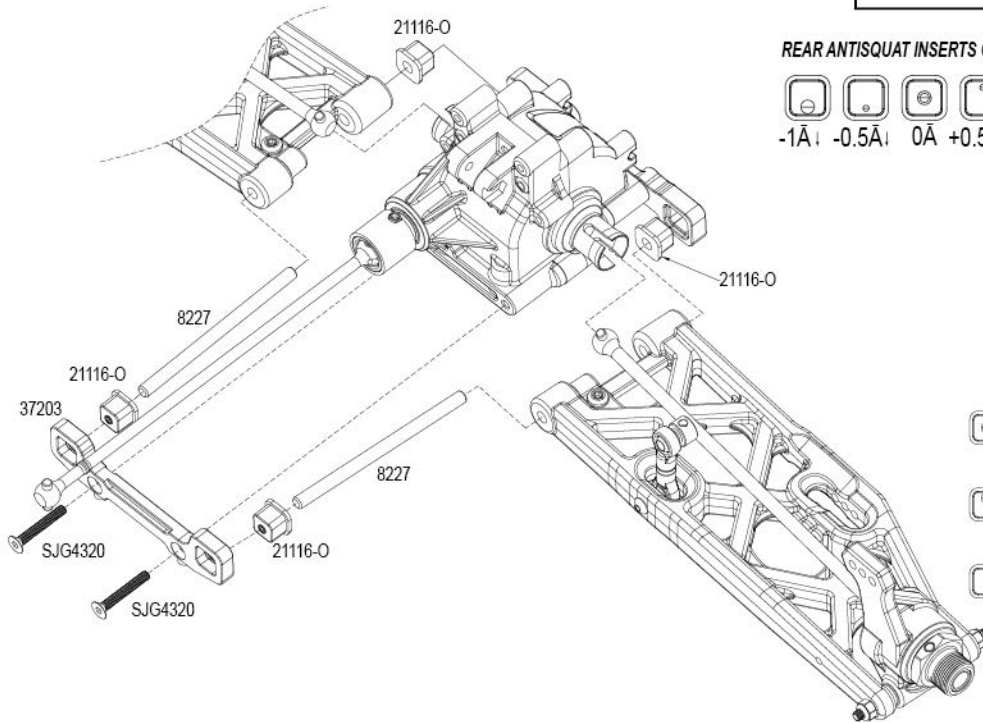
STEP F - 2

Rear Diff Install



STEP F - 3

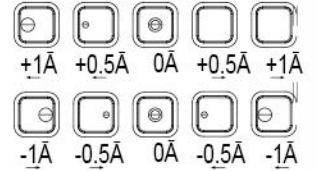
Rear Hubs & Suspension Arm Assembly (Left/Right)



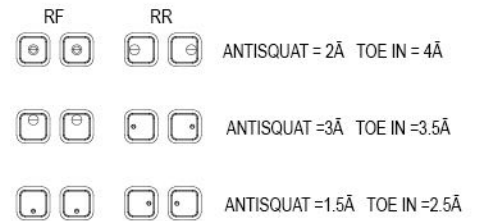
REAR ANTISQUAT INSERTS CHART(RF)



REAR TOE IN INSERTS CHART(RR)

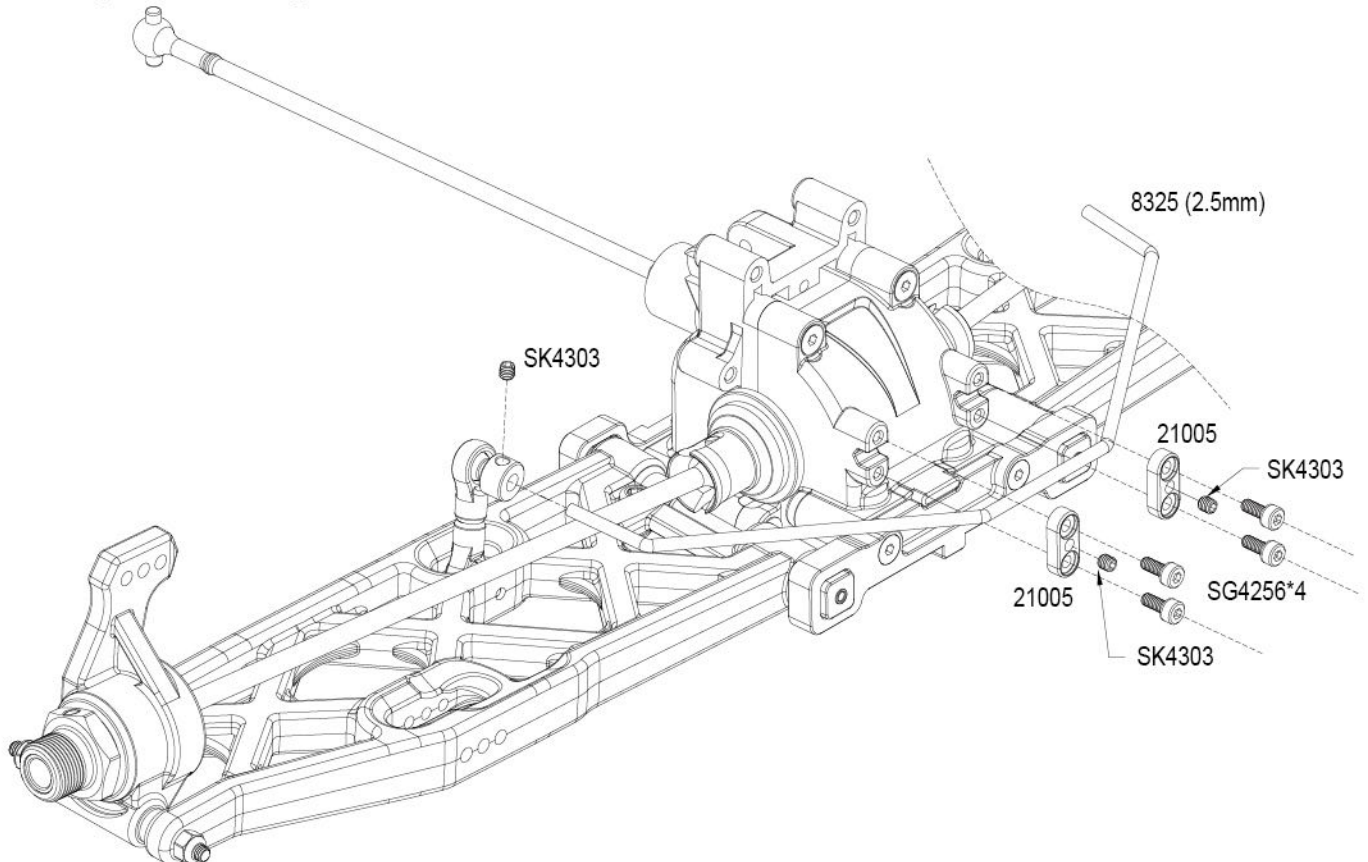


OTHER SETTING EXAMPLES



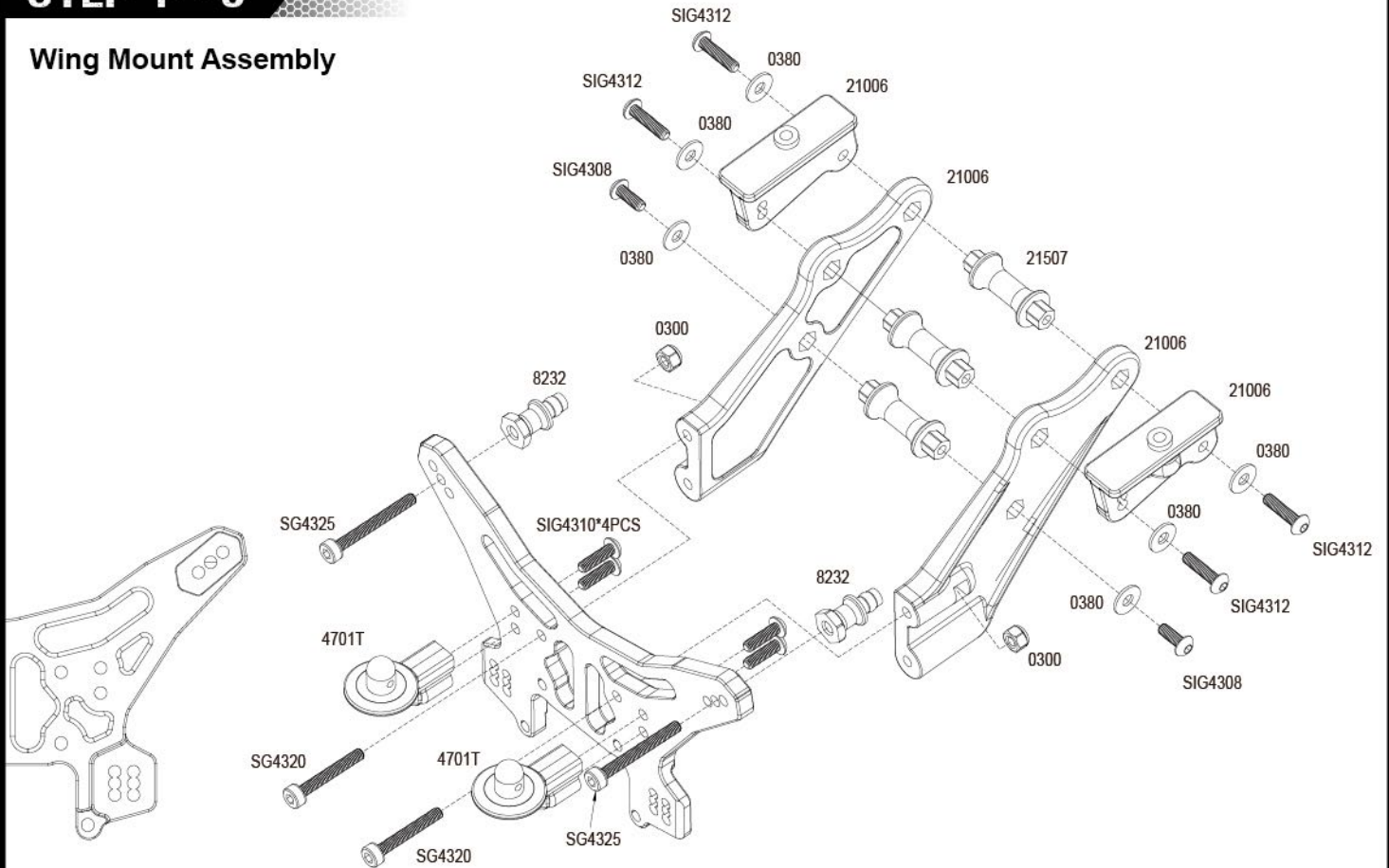
STEP F - 4

Rear Swaybar Assembly



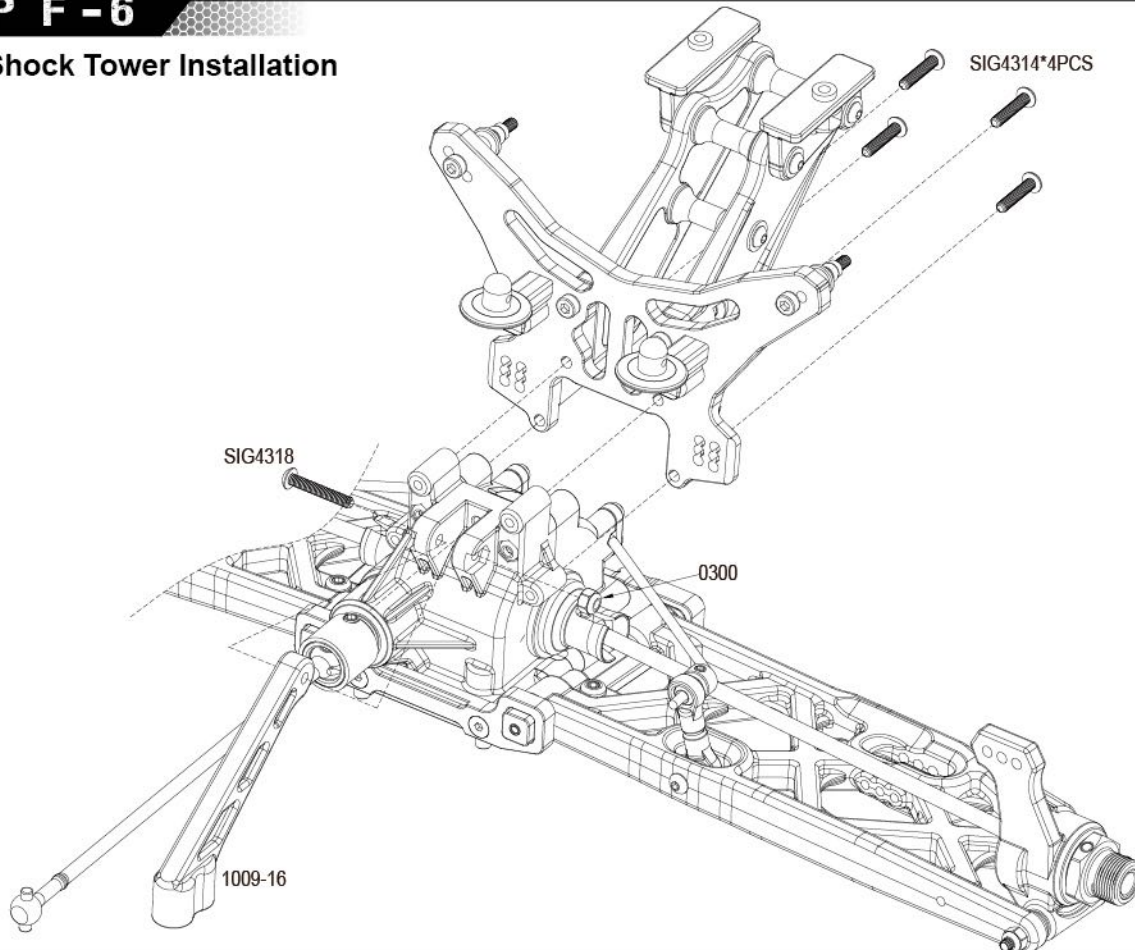
STEP F - 5

Wing Mount Assembly



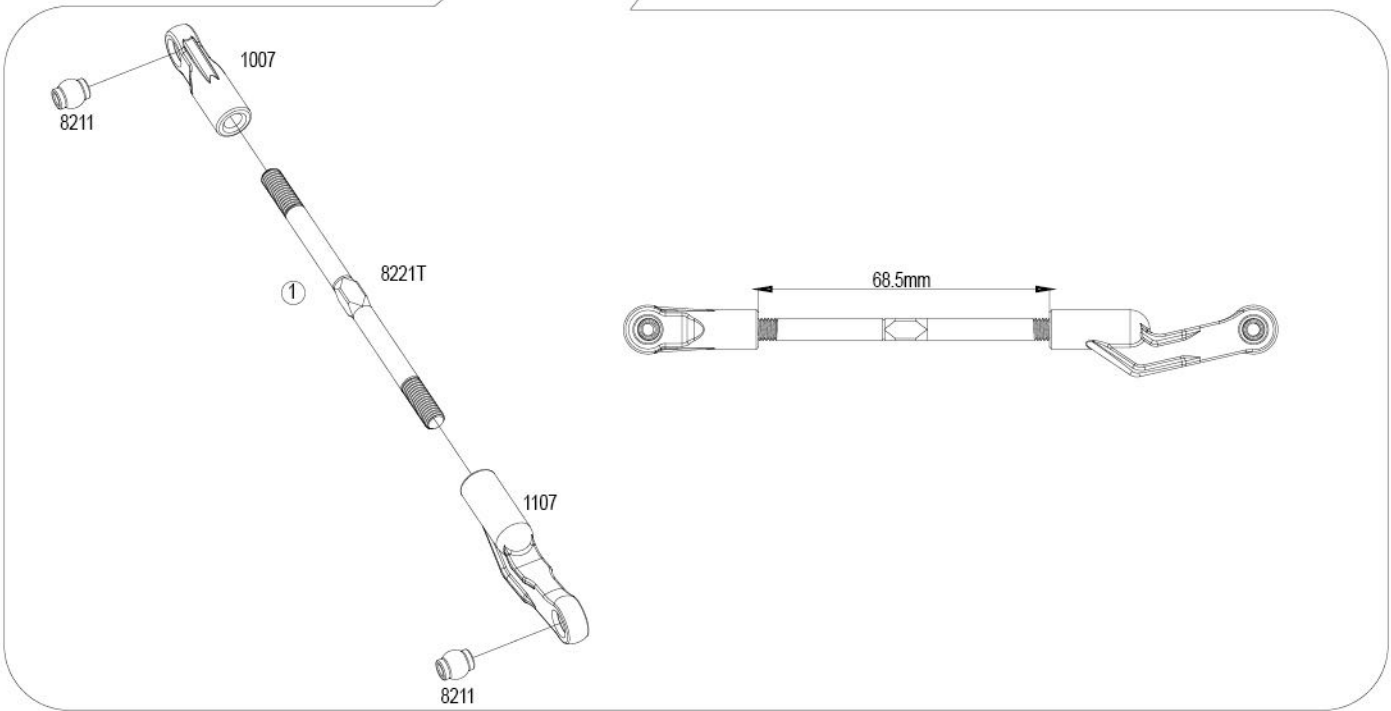
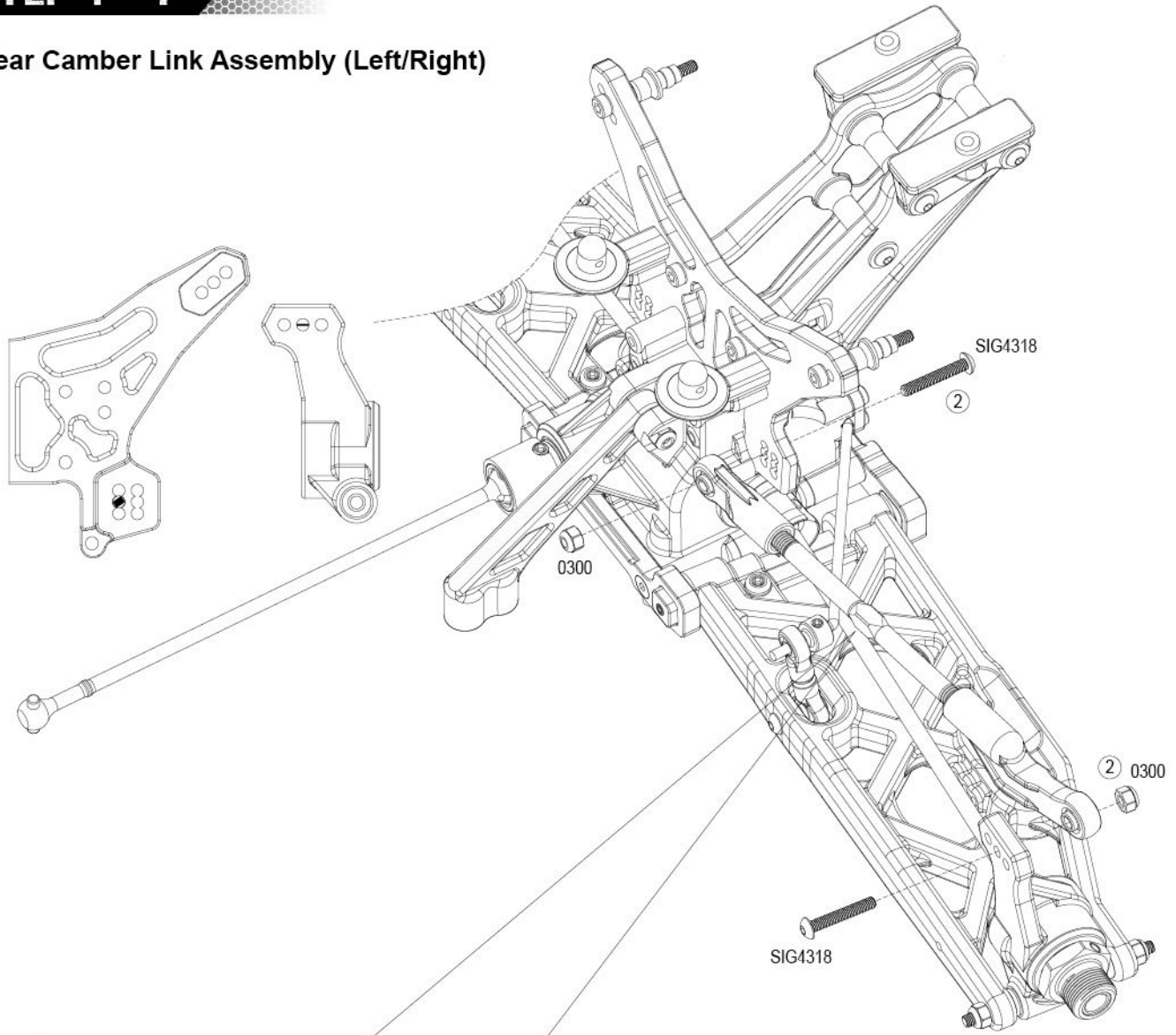
STEP F - 6

Rear Shock Tower Installation



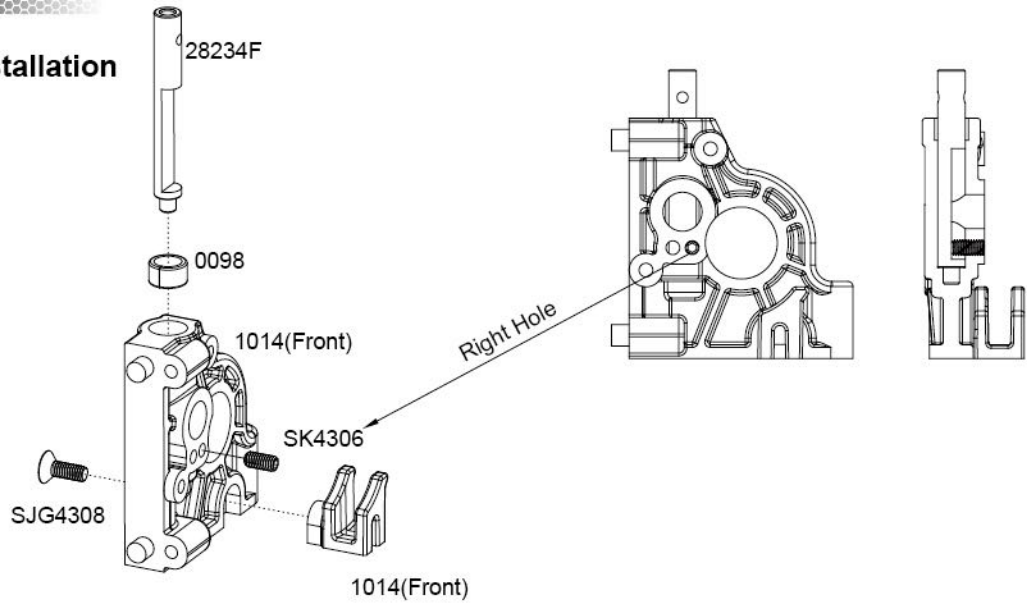
STEP F - 7

Rear Camber Link Assembly (Left/Right)



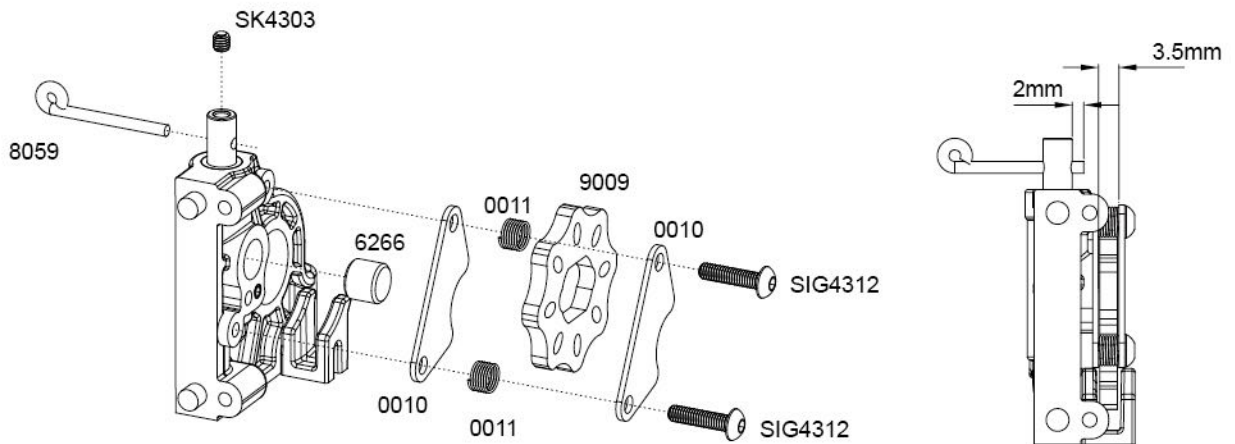
STEP G - 1

Center Diff/Brake Installation



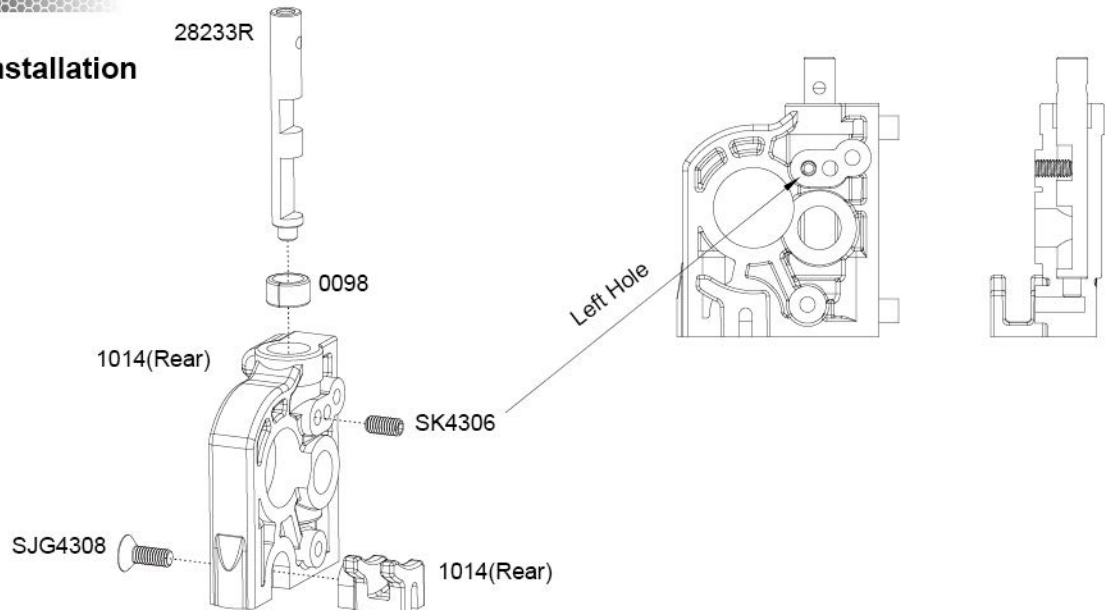
STEP G - 2

Center Diff/Brake Installation



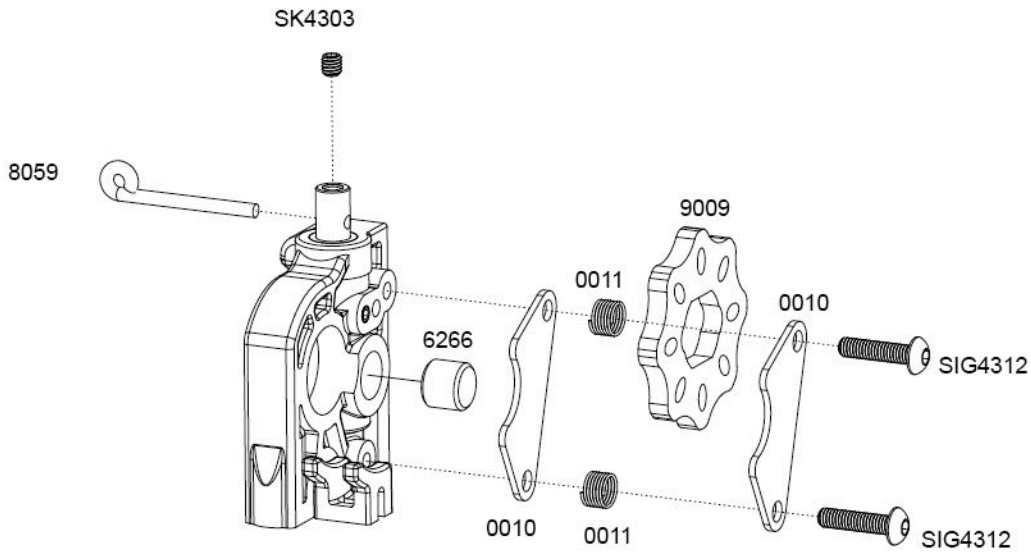
STEP G - 3

Center Diff/Brake Installation



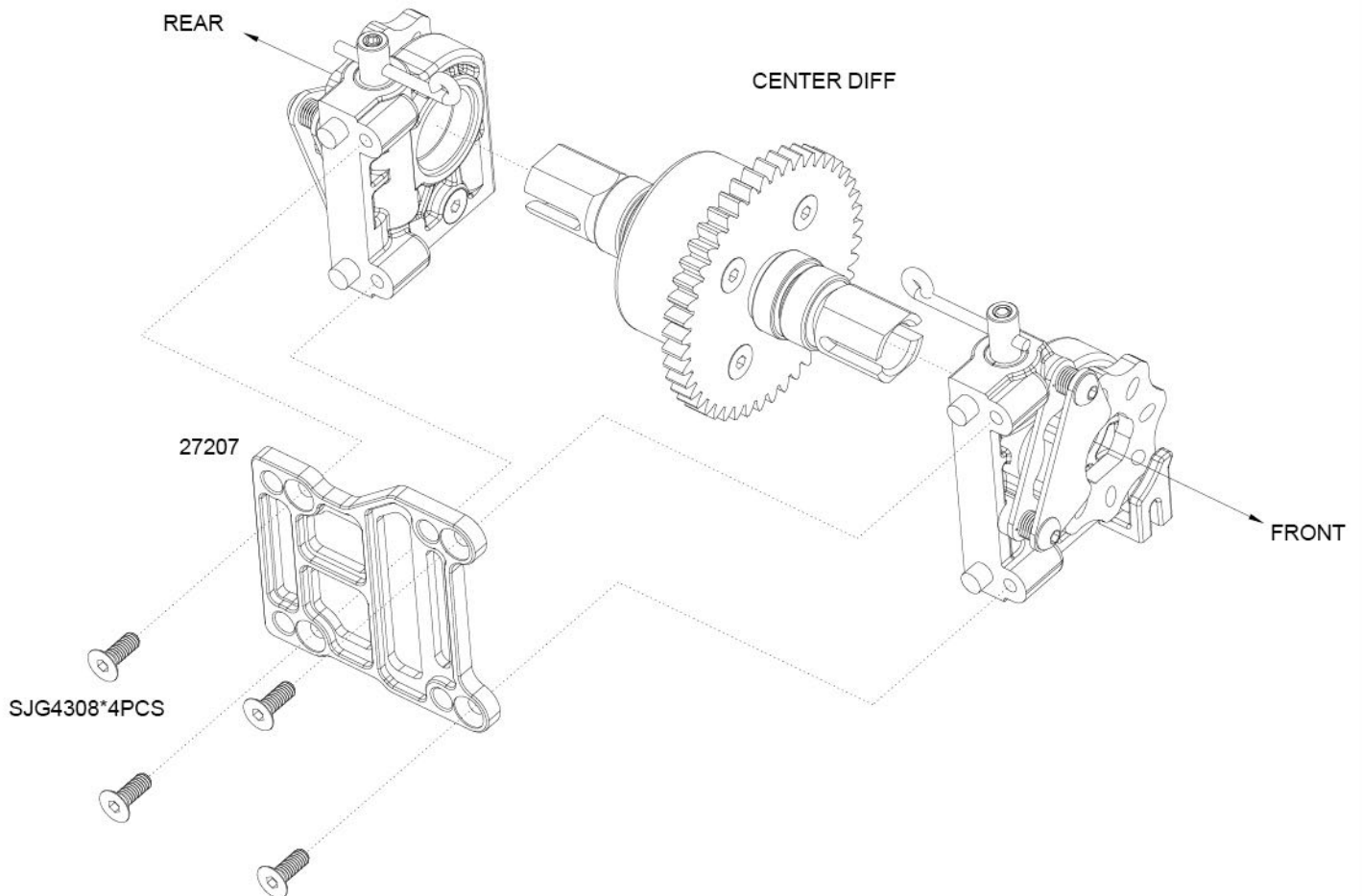
STEP G - 4

Center Diff/Brake Installation



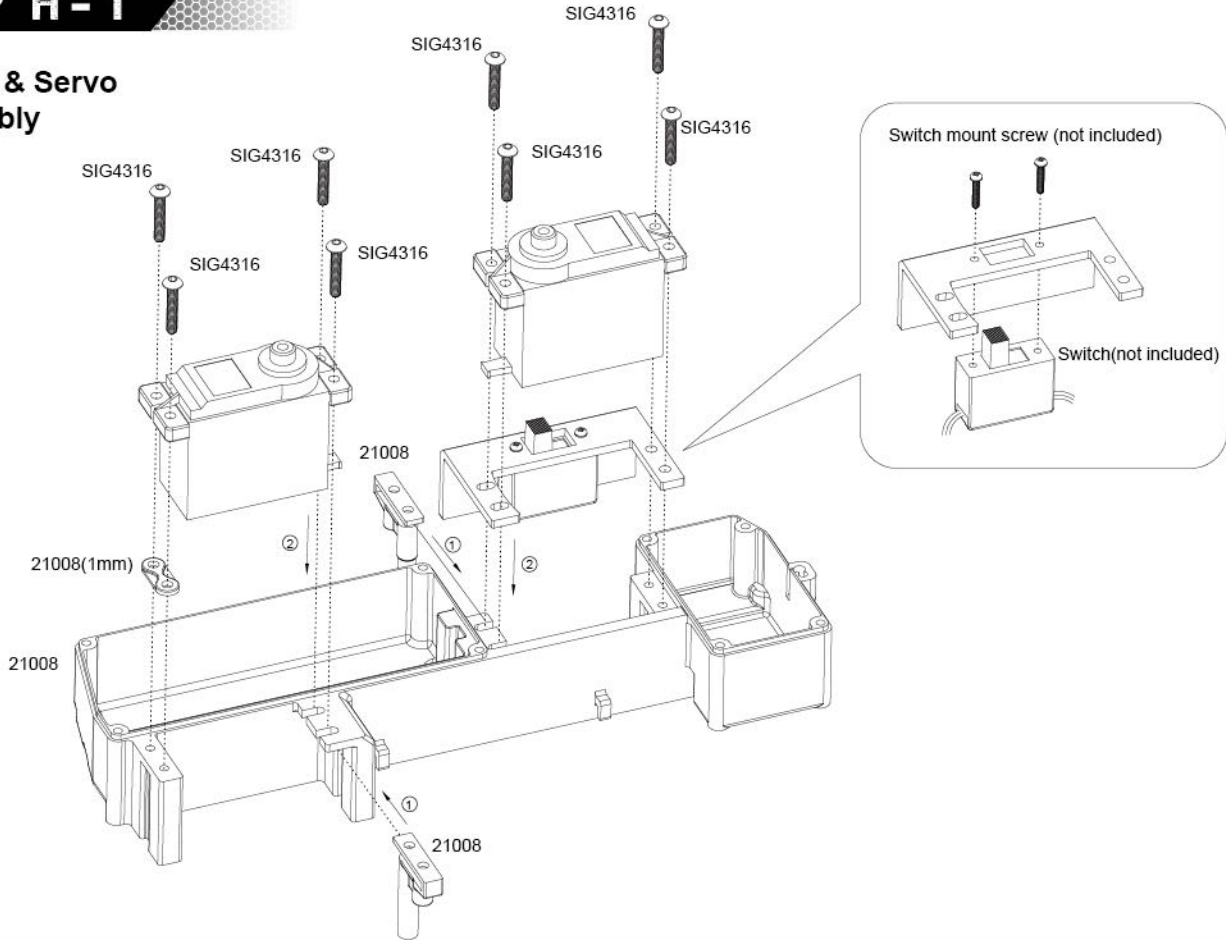
STEP G - 5

Center Diff/Brake Installation



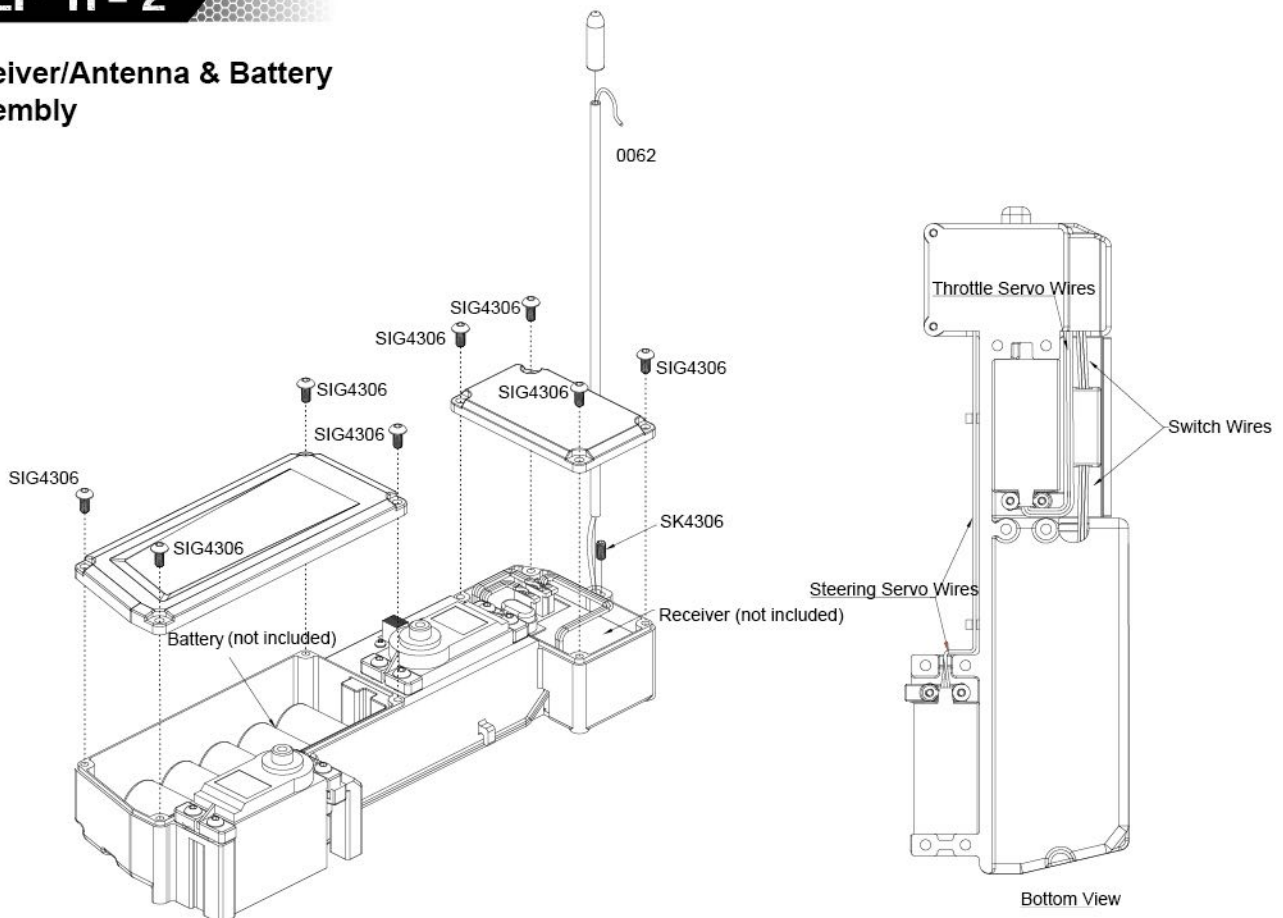
STEP H-1

Switch & Servo Assembly



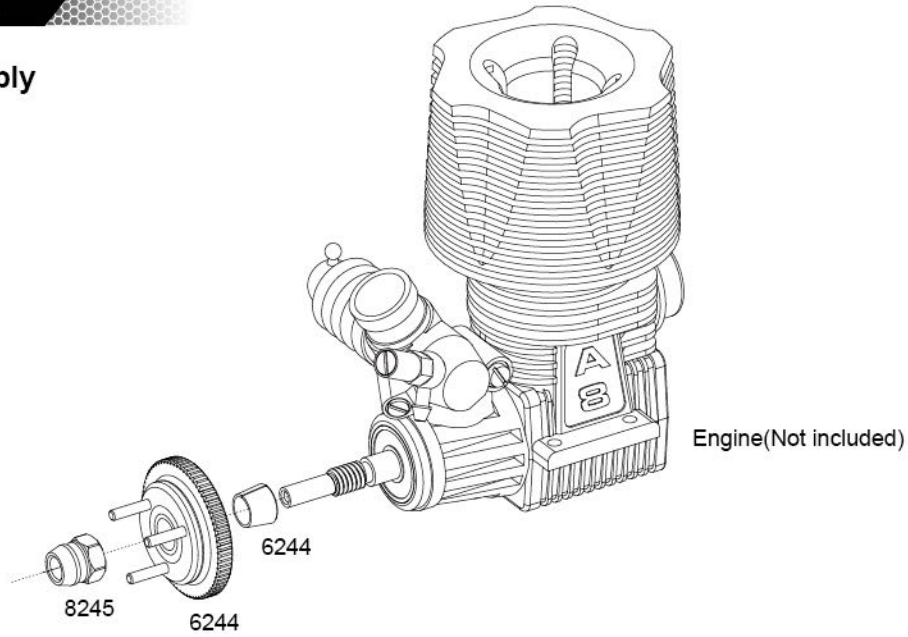
STEP H-2

Receiver/Antenna & Battery Assembly



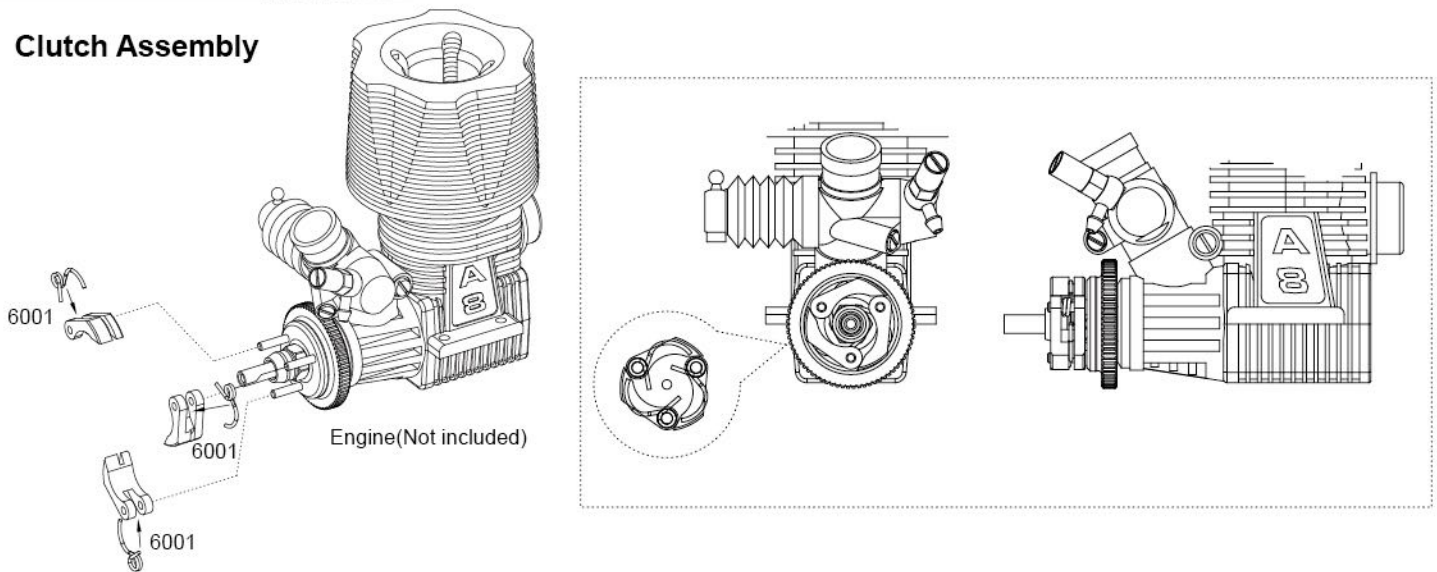
STEP 1-1

Clutch Assembly



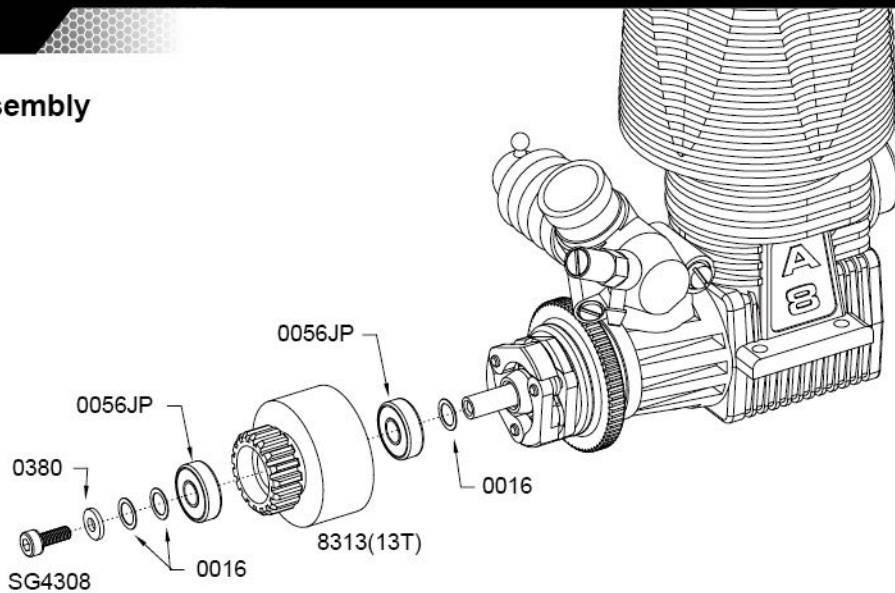
STEP 1-2

Clutch Assembly



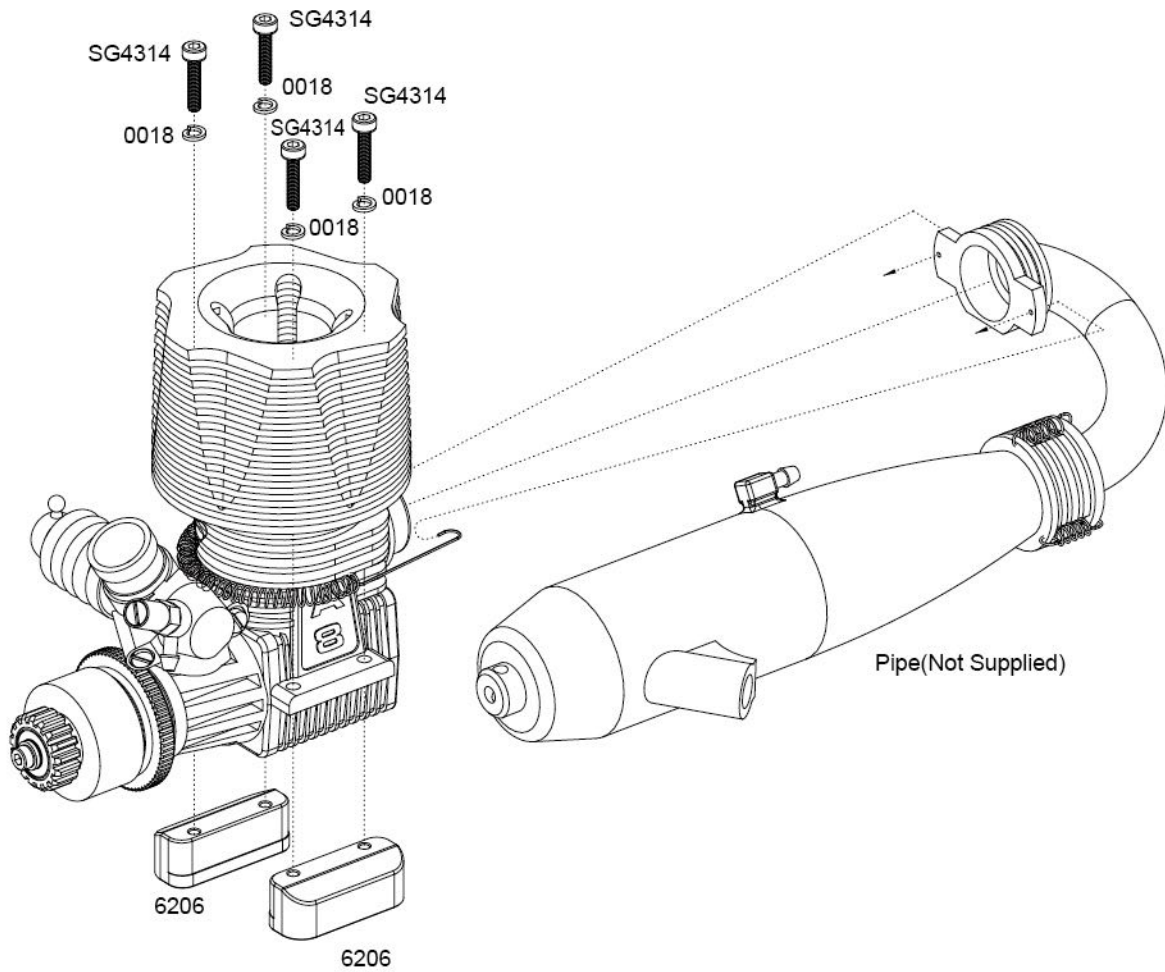
STEP 1-3

Clutch Bell Assembly



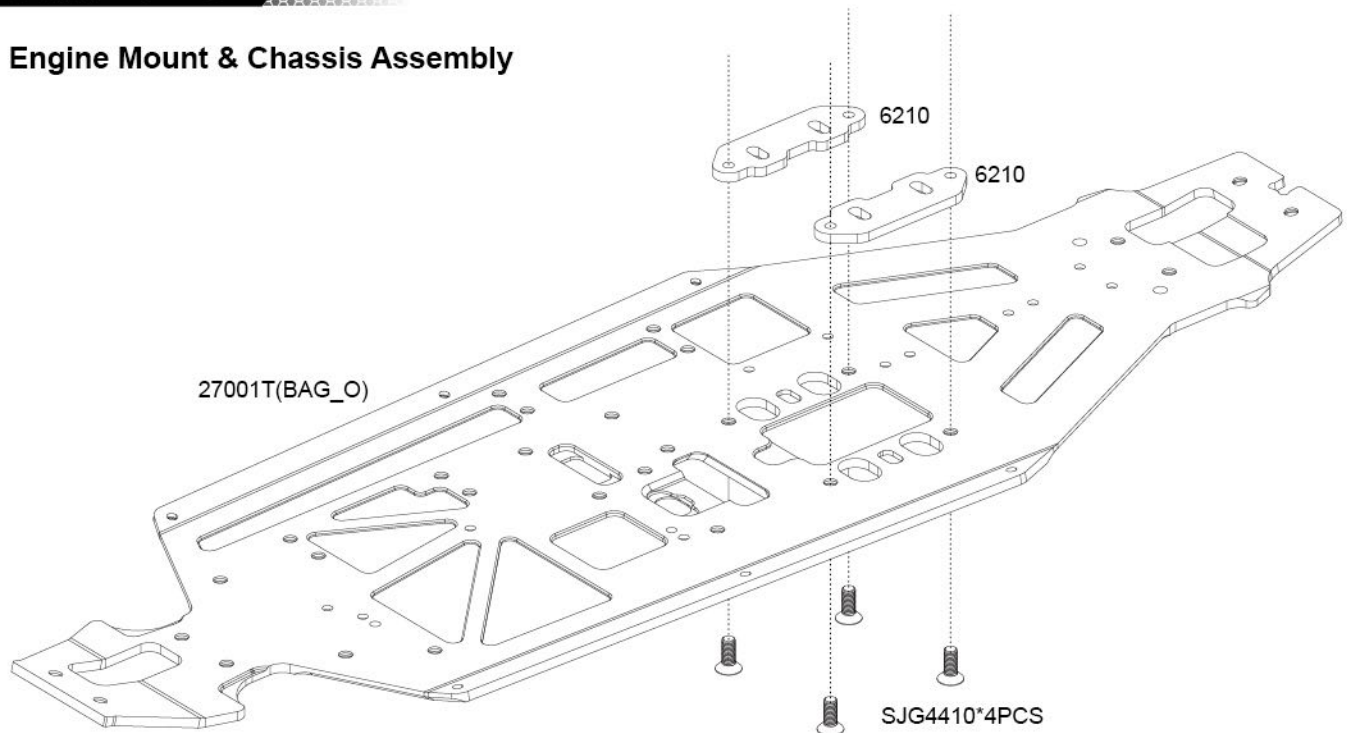
STEP I - 4

Engine Mount & Pipe Assembly



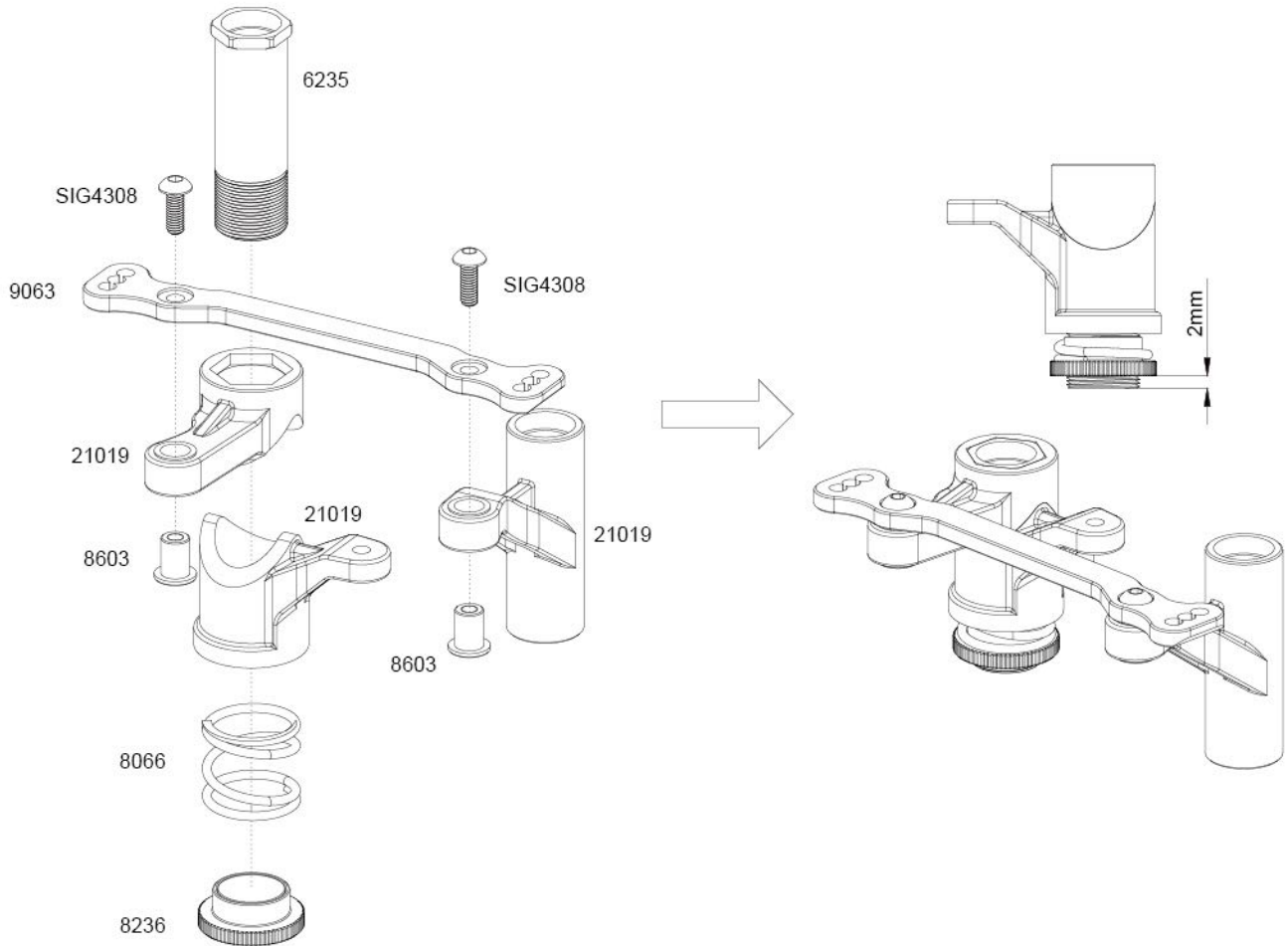
STEP I - 5

Engine Mount & Chassis Assembly



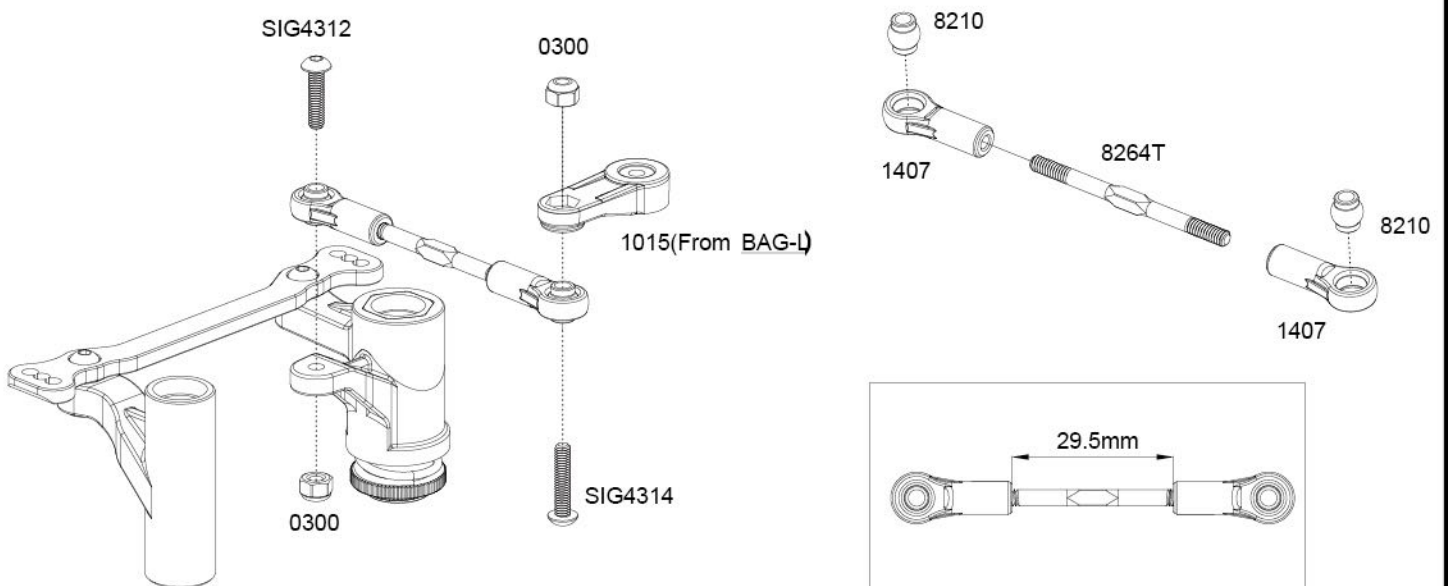
STEP J-1

Servo Saver Installation



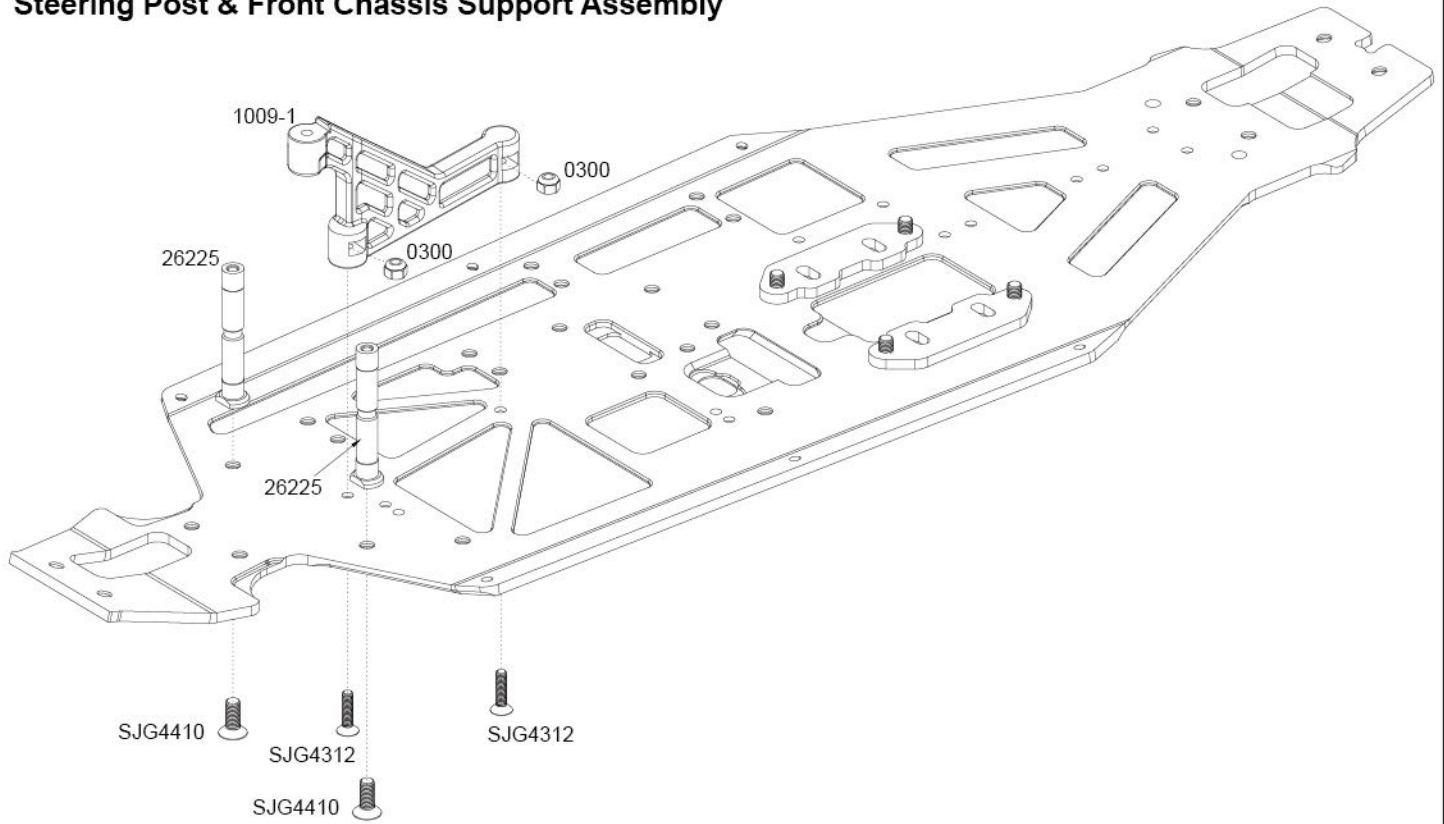
STEP J-2

Steering Servo Link Assembly



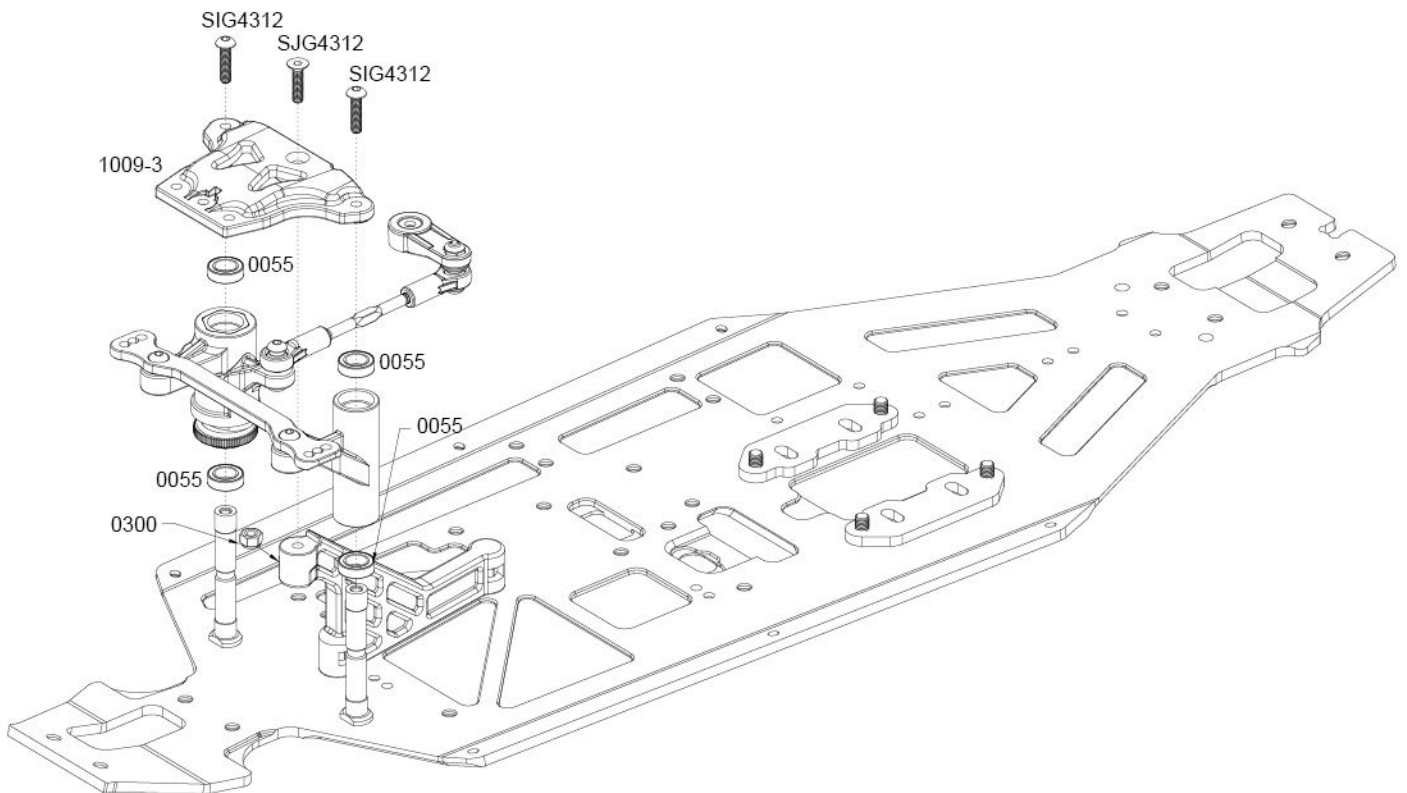
STEP J - 3

Steering Post & Front Chassis Support Assembly



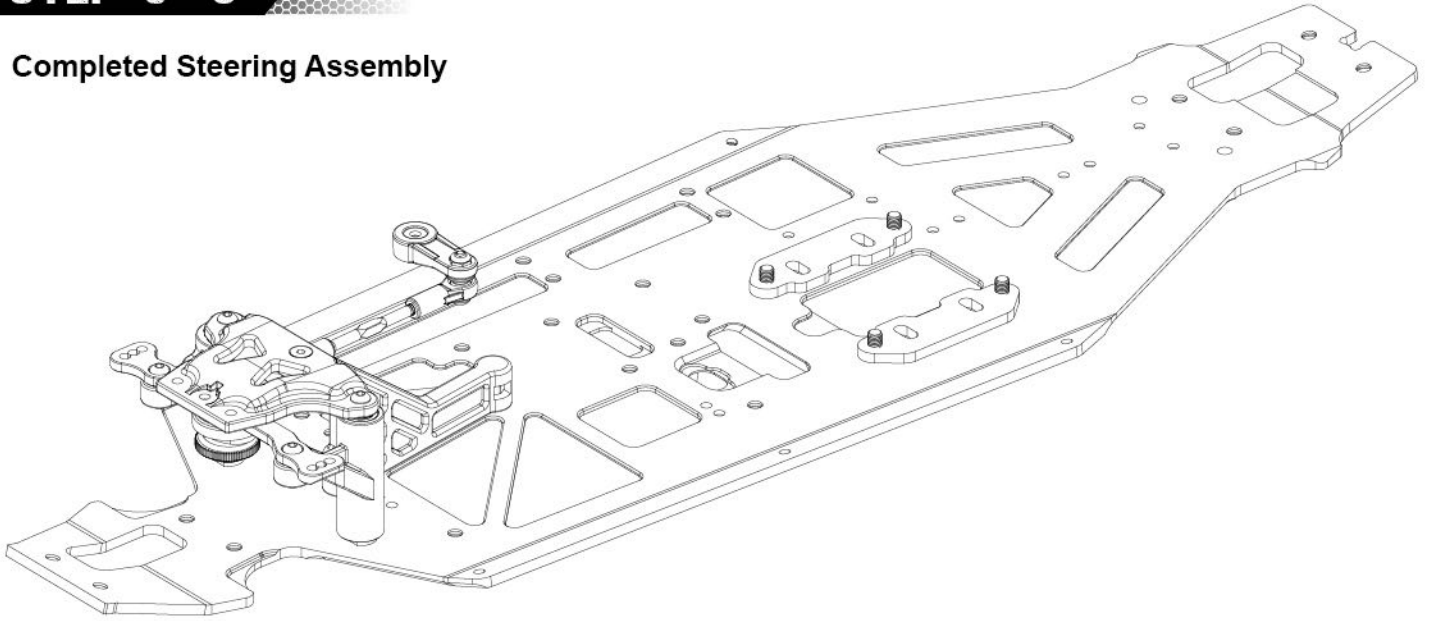
STEP J - 4

Steering Saver & Front Chassis Brace Assembly



STEP J-5

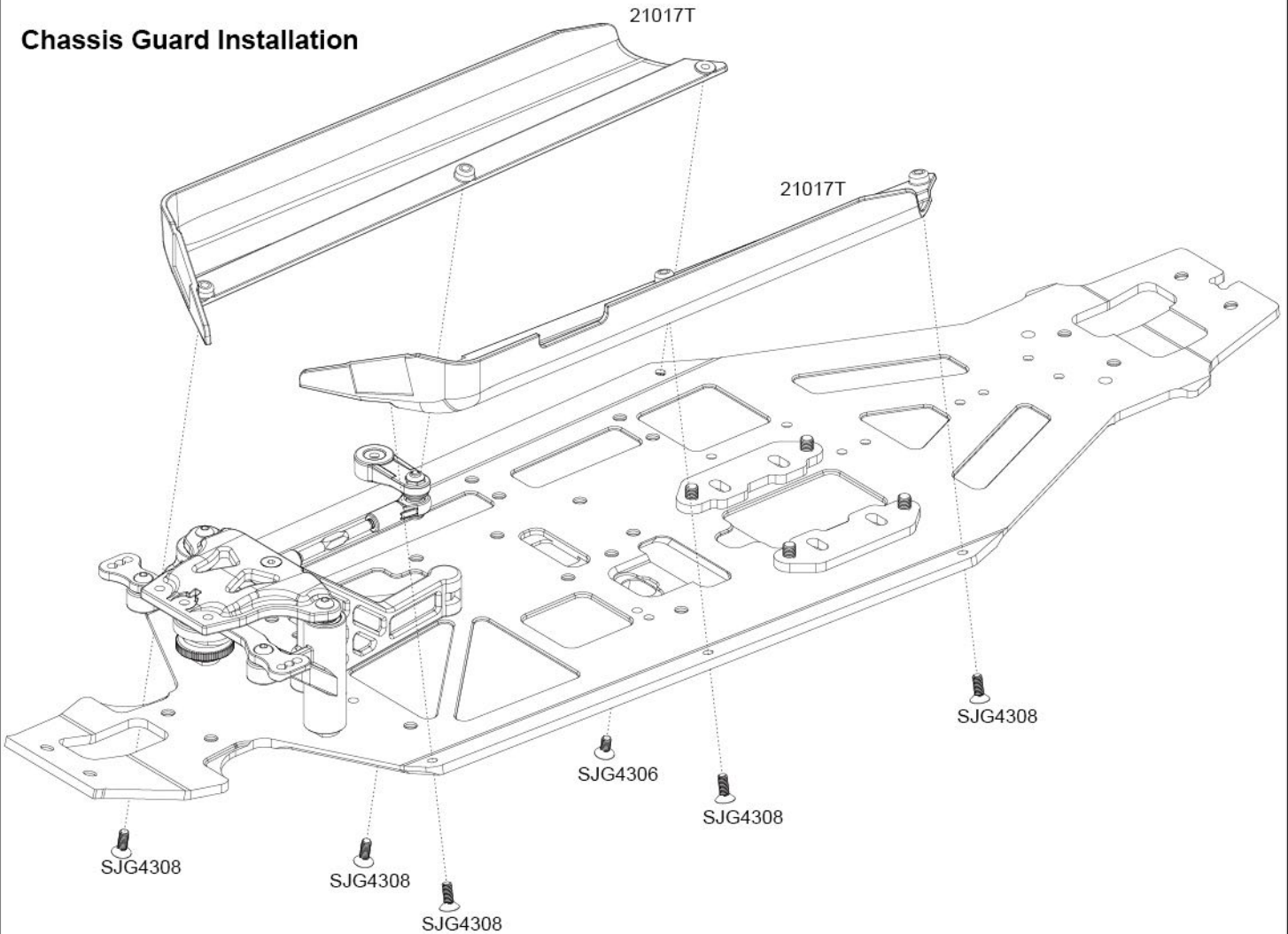
Completed Steering Assembly



BAG K

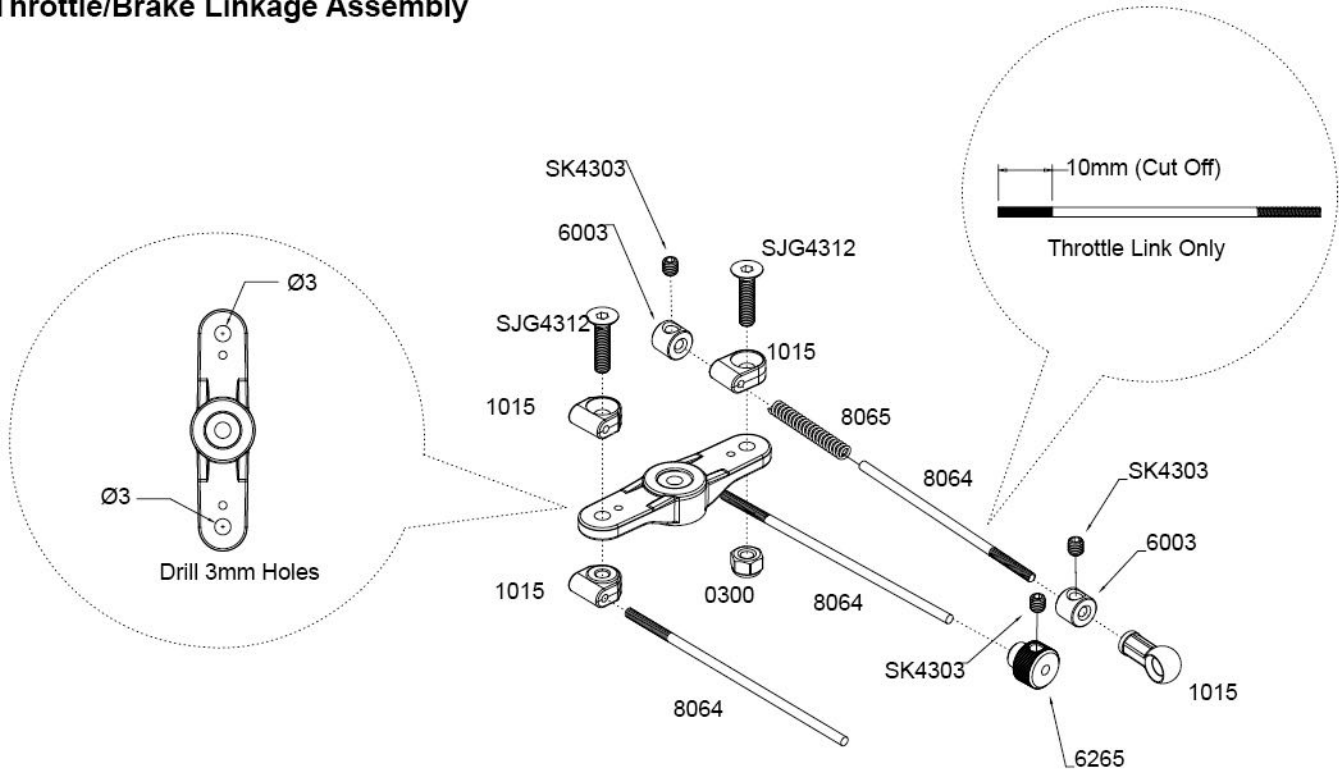
STEP K-1

Chassis Guard Installation



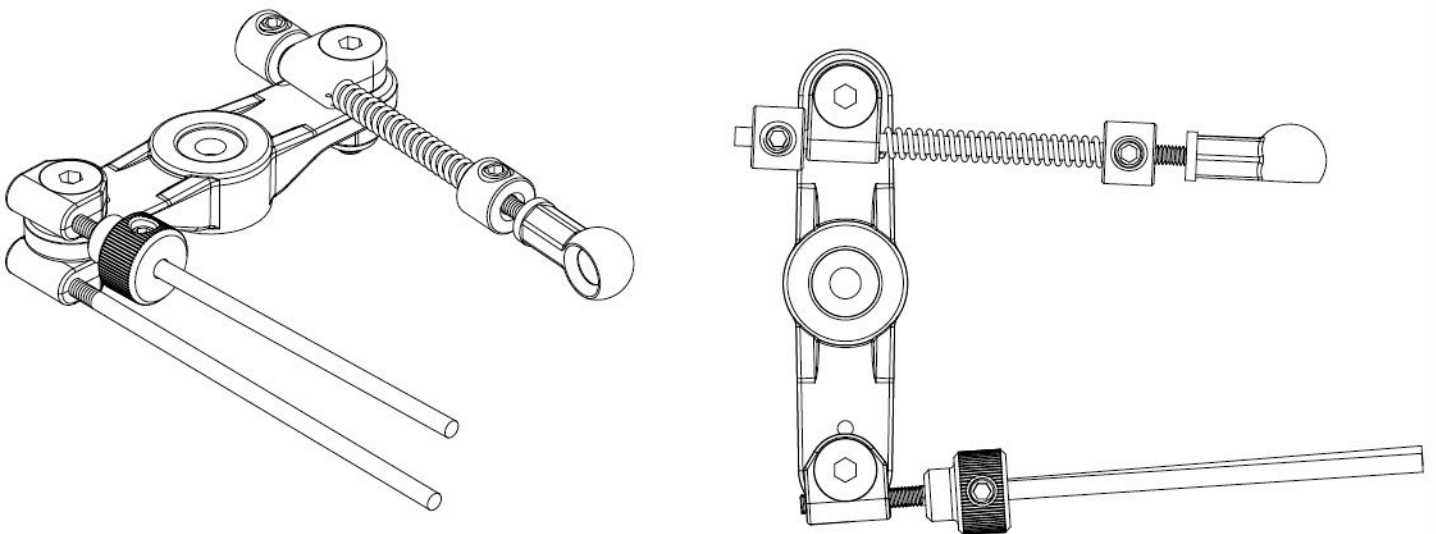
STEP L - 1

Throttle/Brake Linkage Assembly



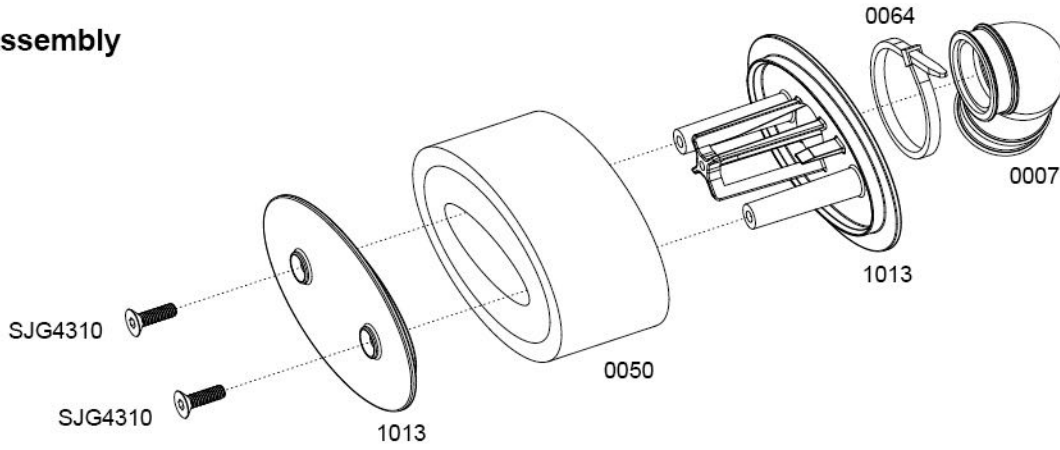
STEP L - 2

Completed Throttle/Brake Linkage Assembly



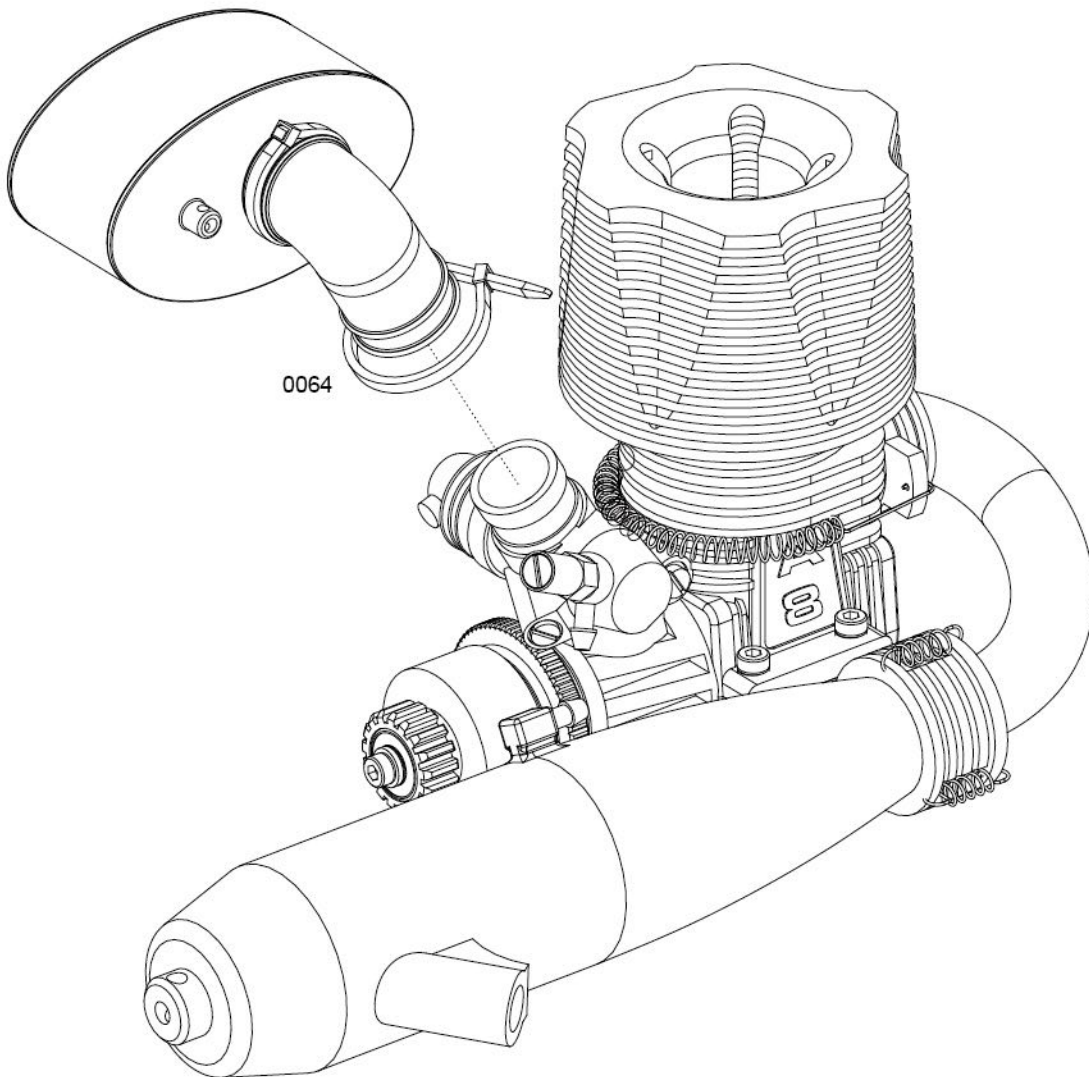
STEP M - 1

Air Filter Assembly



STEP M - 2

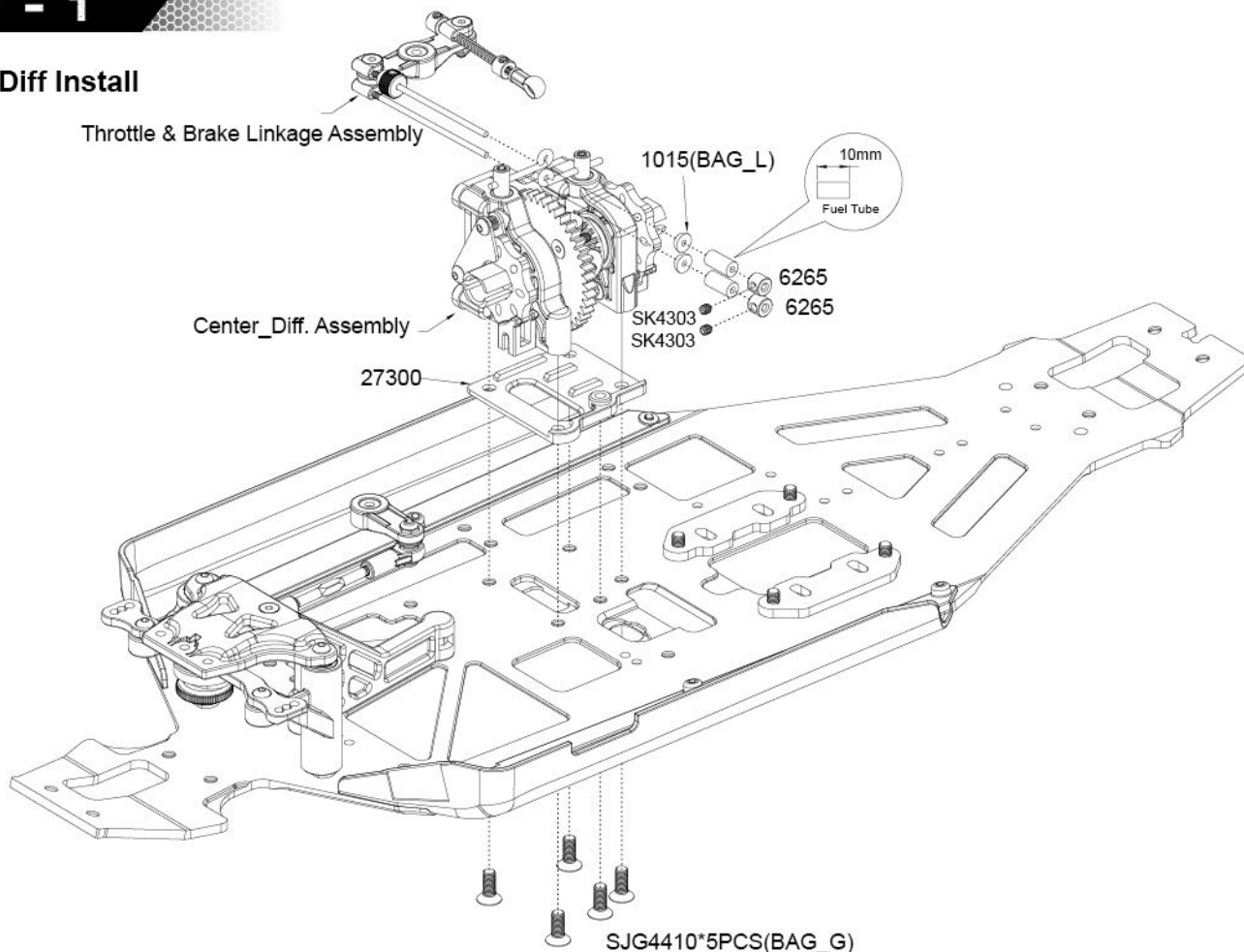
Air Filter Assembly



CHASSIS INSTALL **A215T**

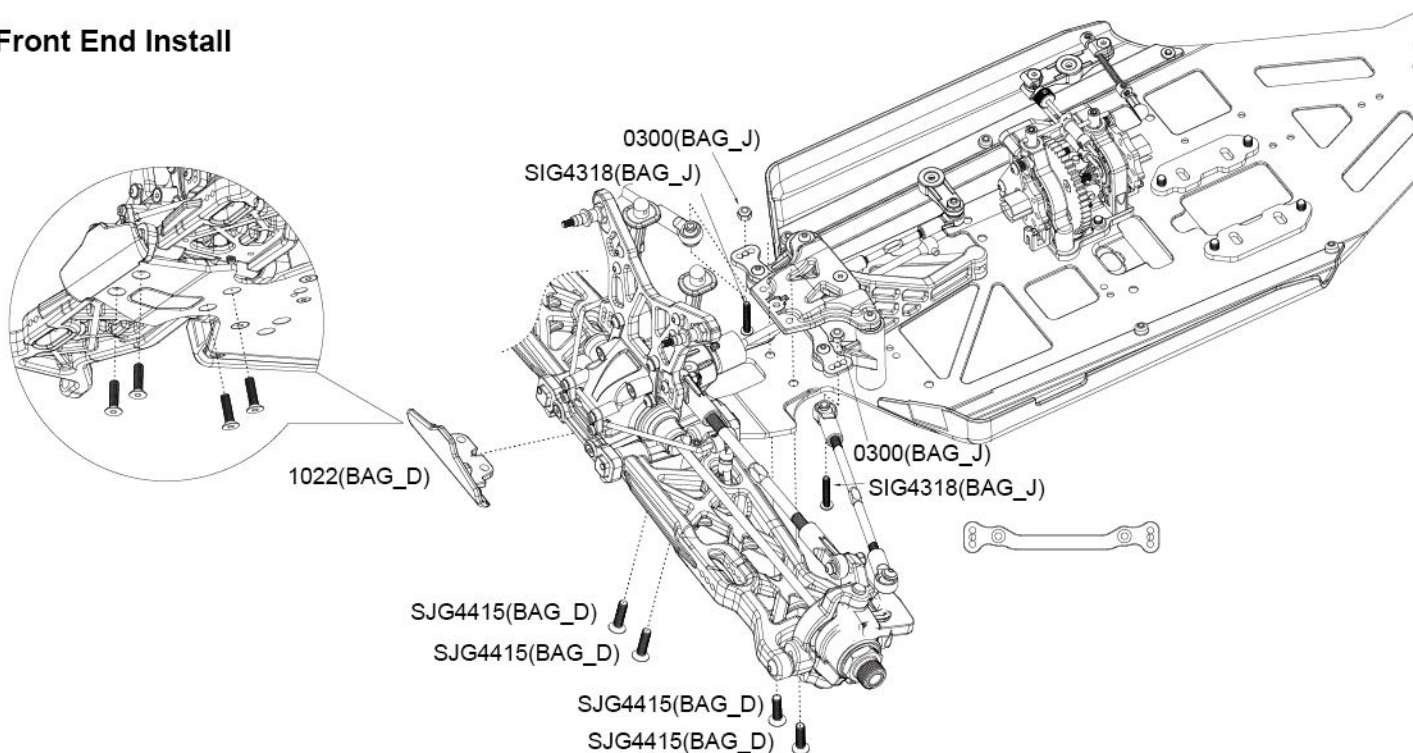
STEP - 1

Center Diff Install



STEP - 2

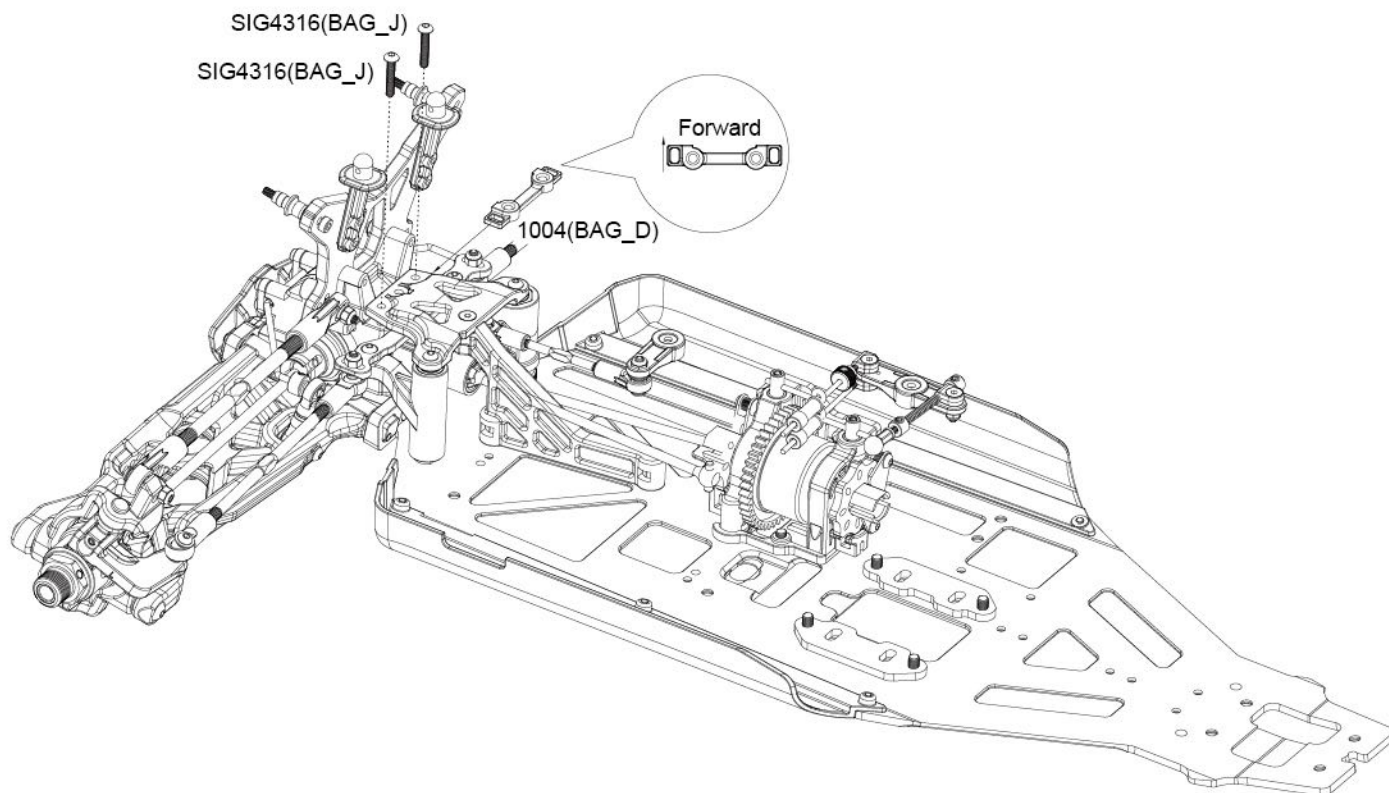
Front End Install



CHASSIS INSTALL **A215T**

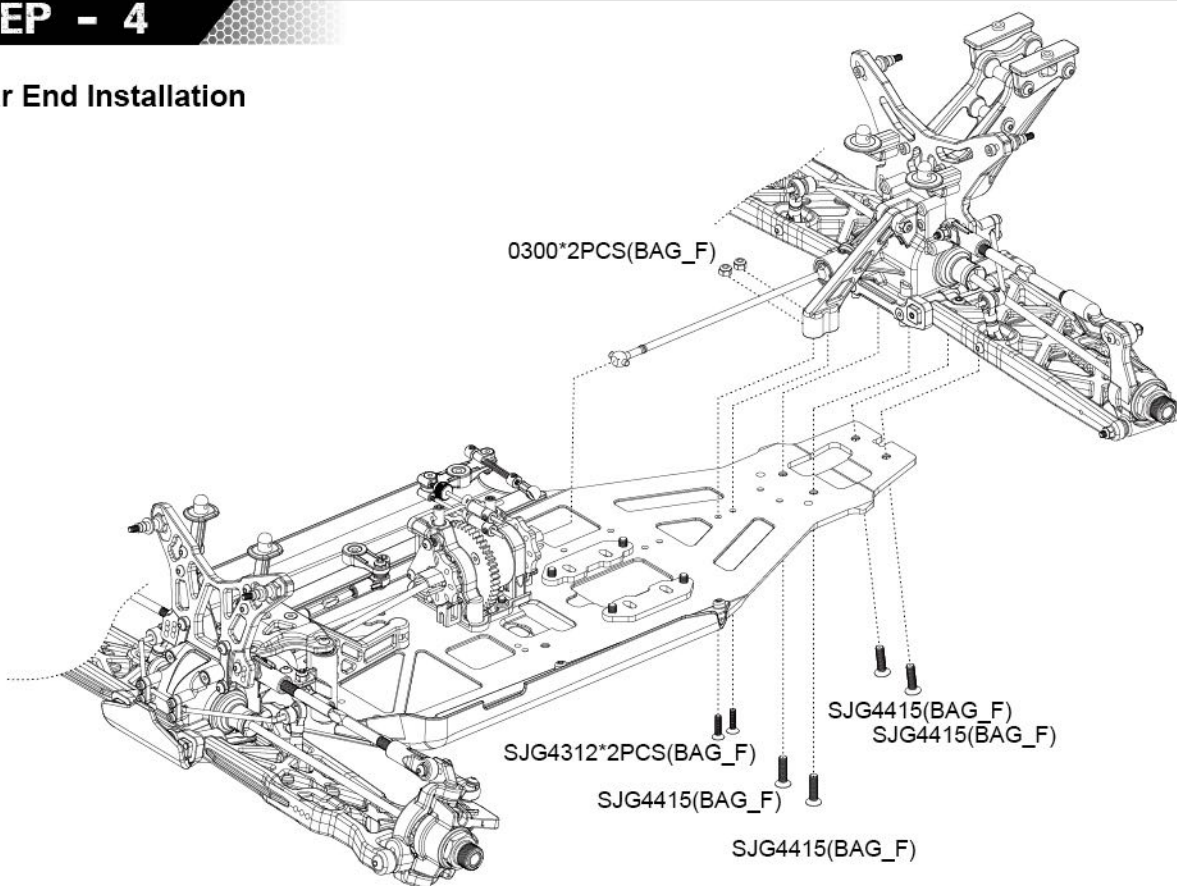
STEP - 3

Front End Installation



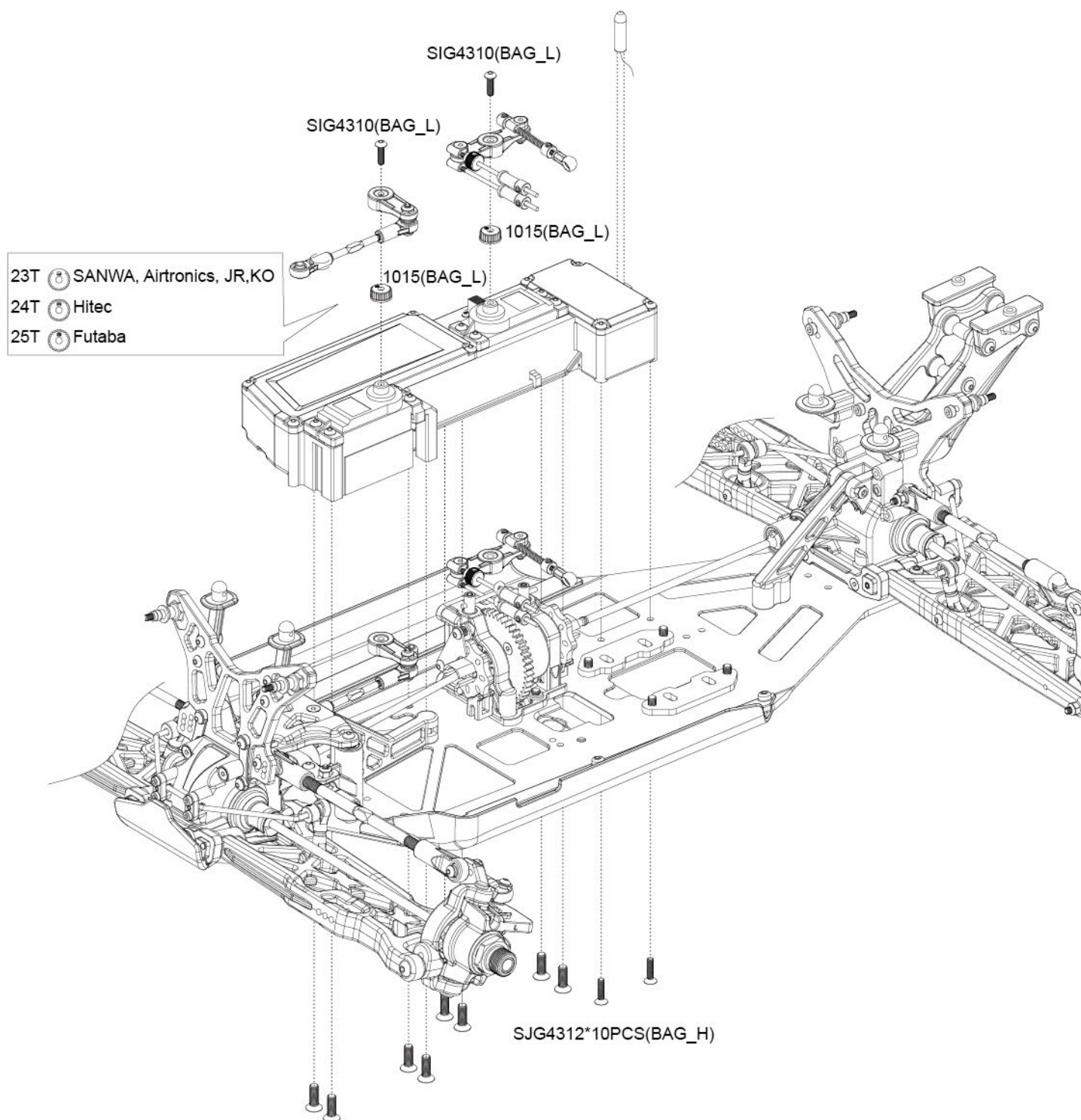
STEP - 4

Rear End Installation



STEP - 5

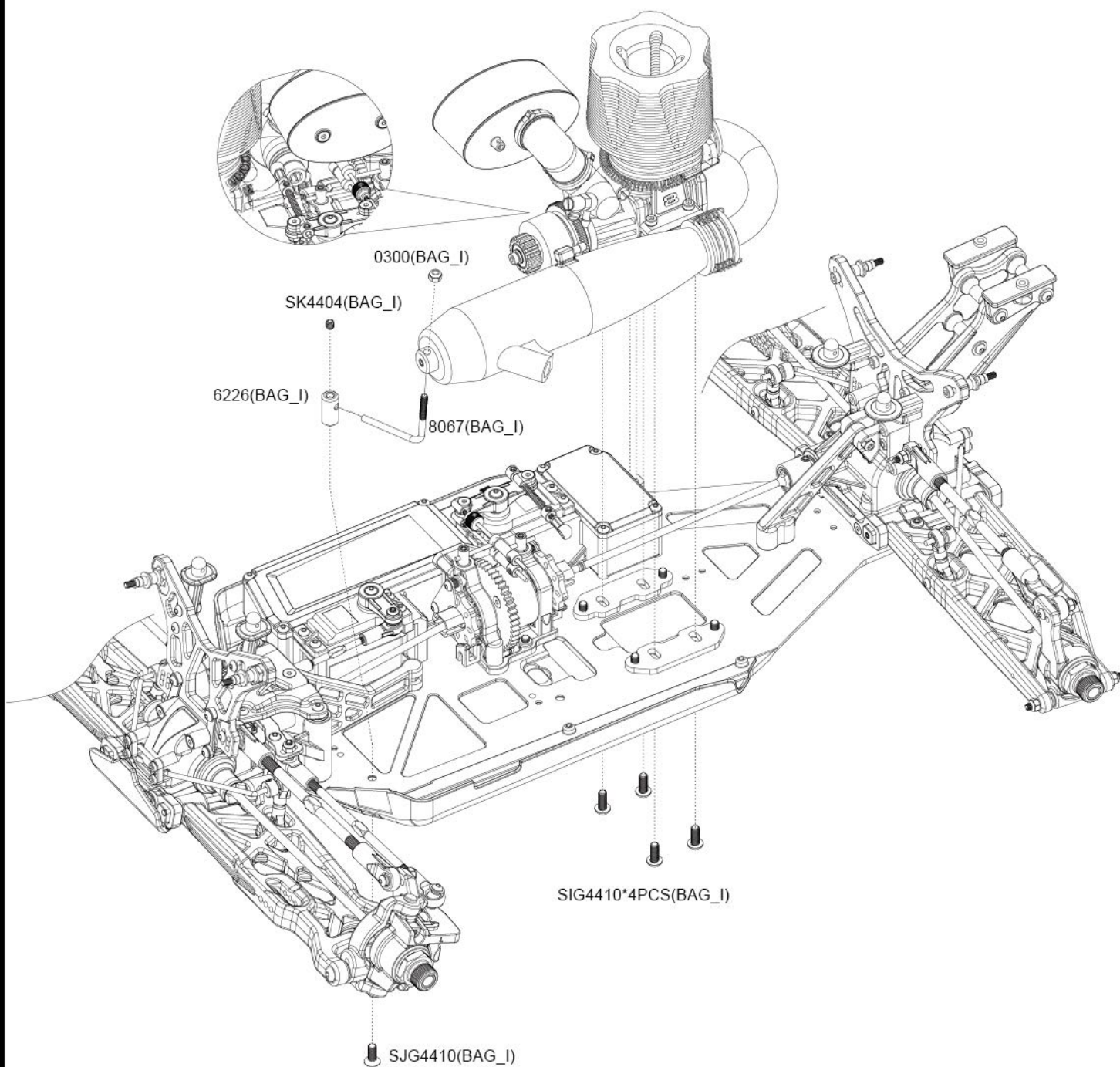
Radio Tray Install



CHASSIS INSTALL **A215T**

STEP - 6

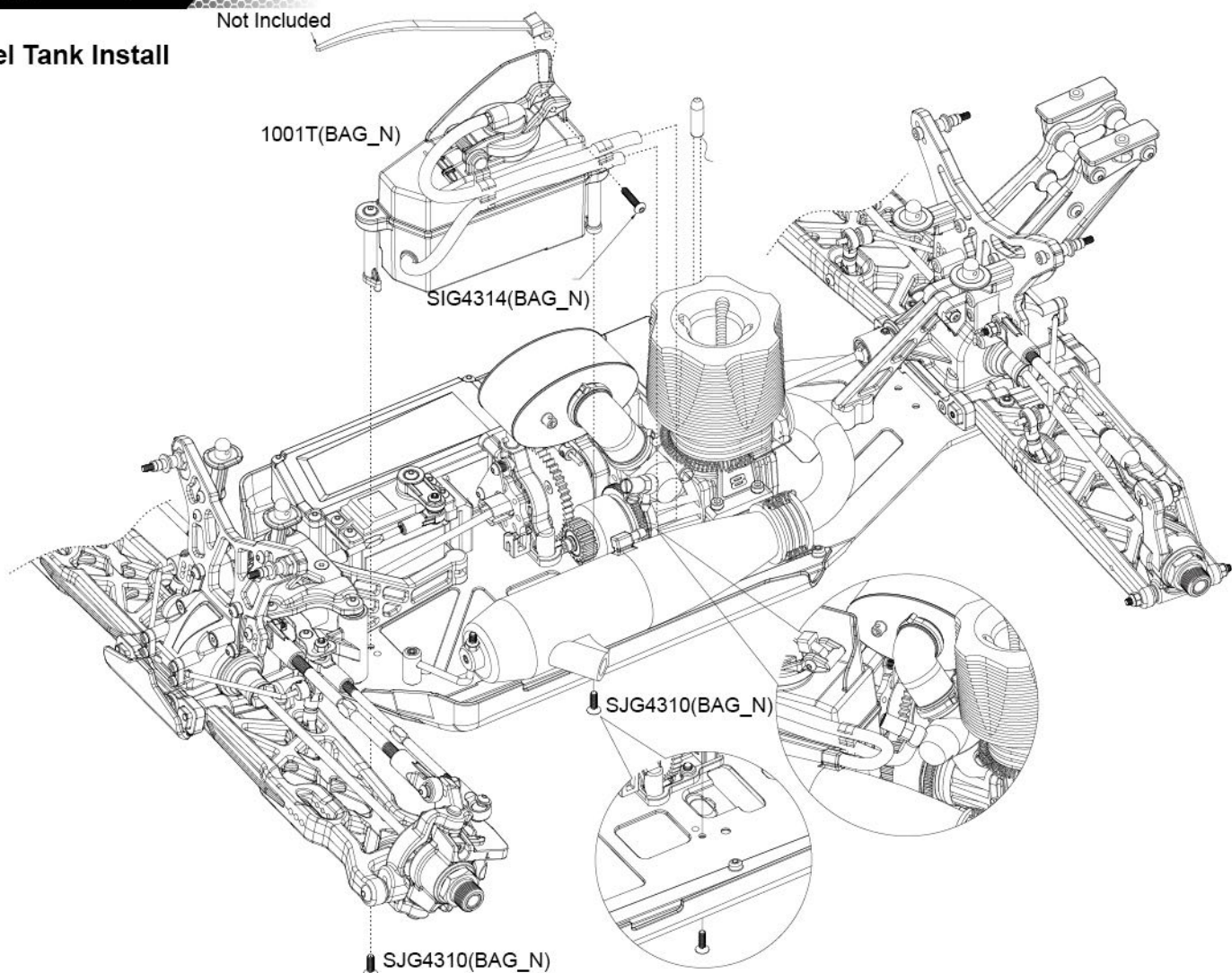
Engine Set Install



CHASSIS INSTALL **A215T**

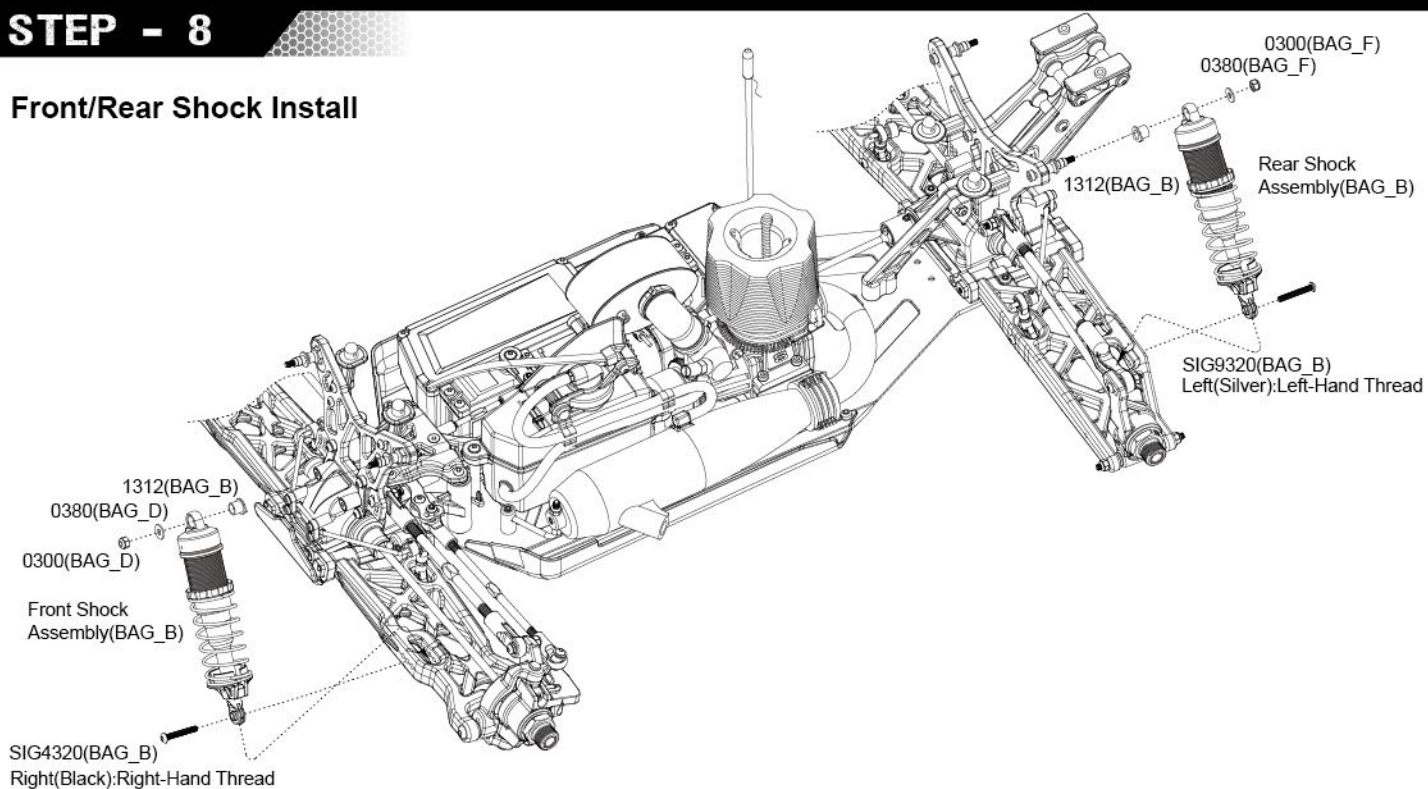
STEP - 7

Fuel Tank Install



STEP - 8

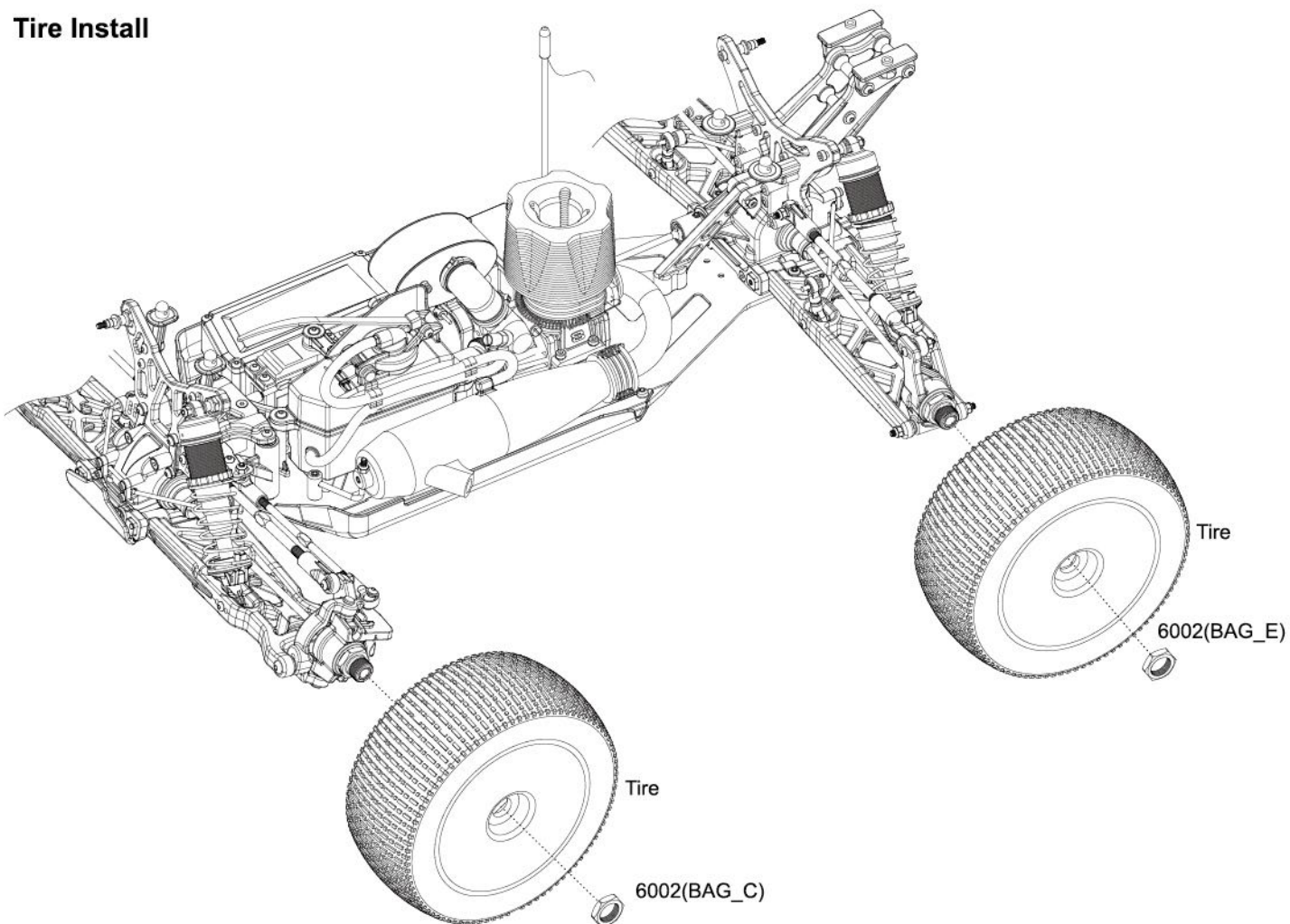
Front/Rear Shock Install



CHASSIS INSTALL **A215T**

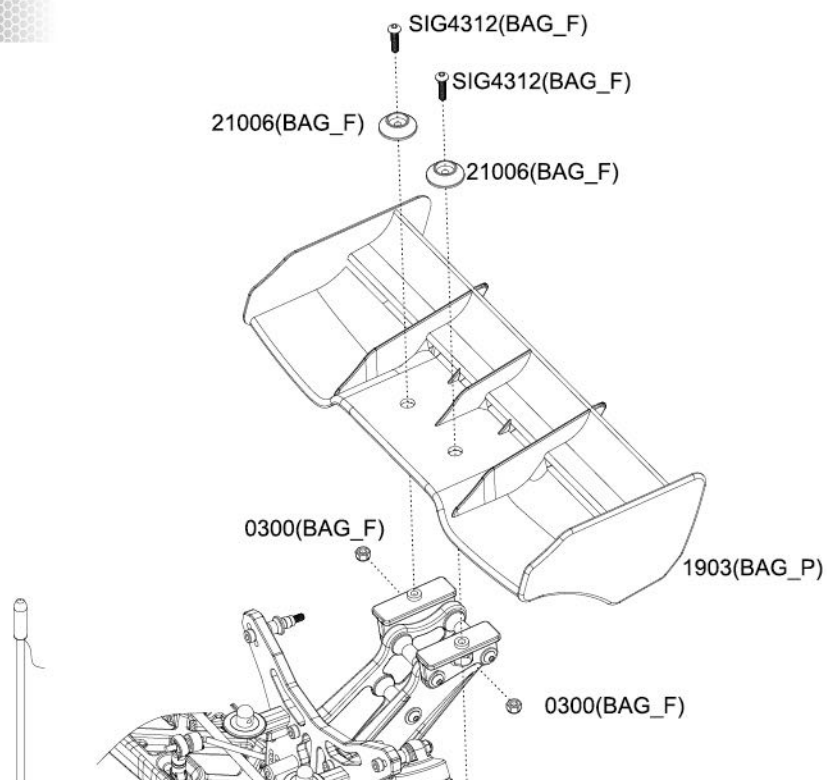
STEP - 9

Tire Install



STEP - 10

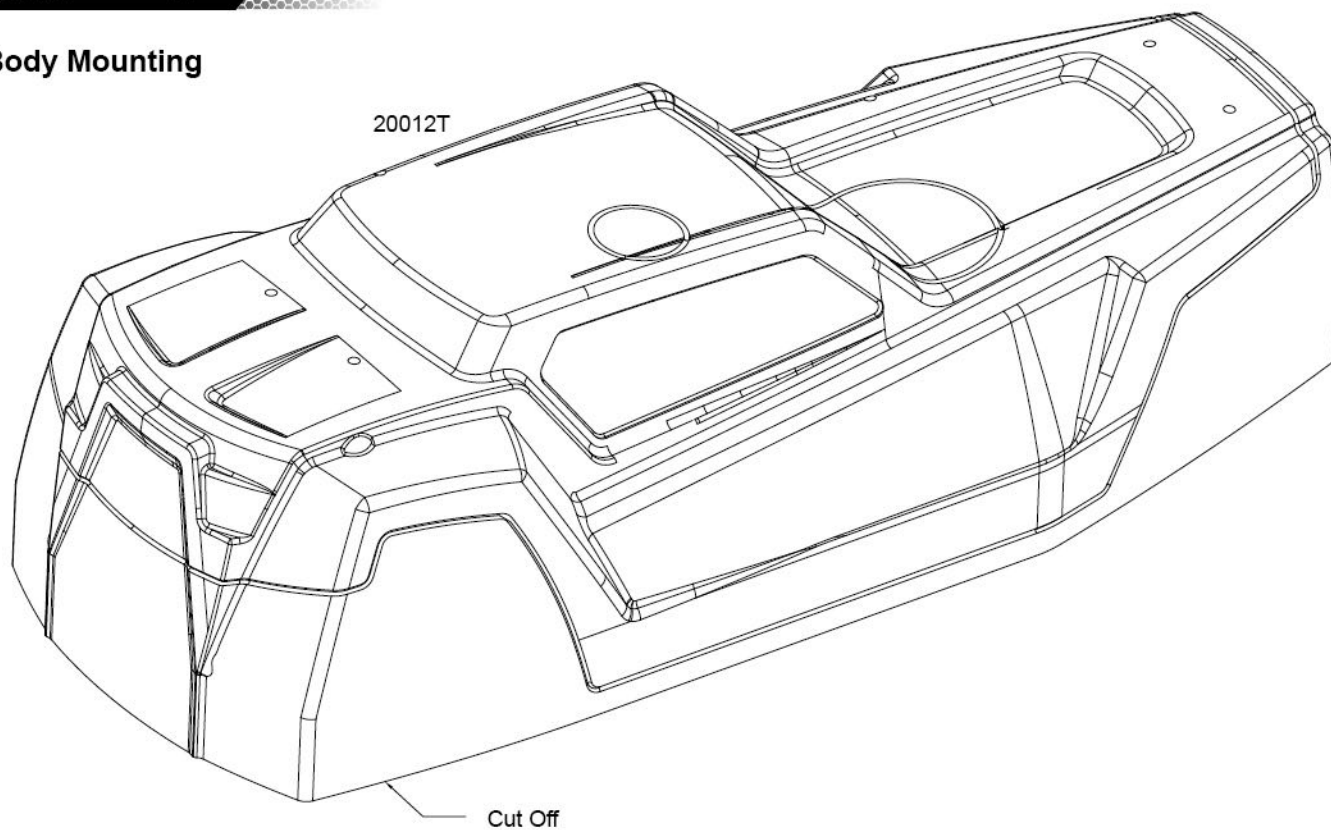
Wing Install



CHASSIS INSTALL **A215T**

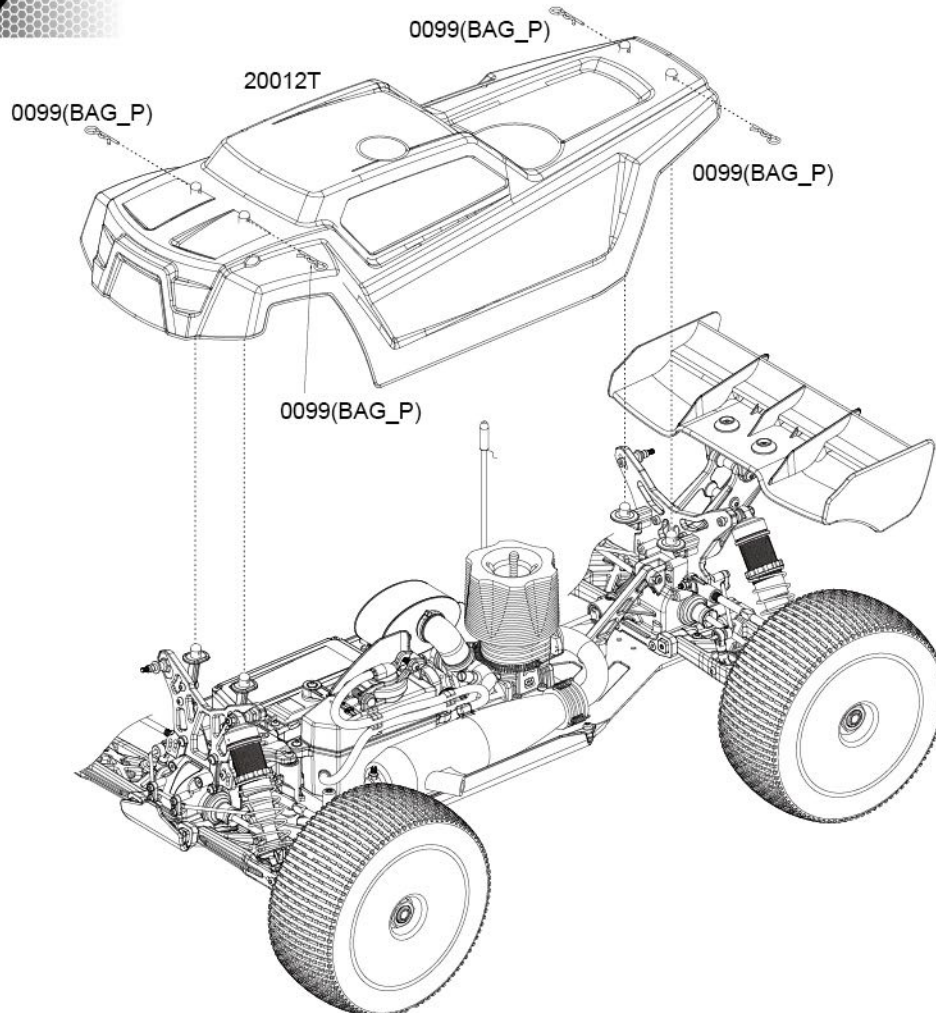
STEP - 11

Body Mounting



STEP - 12

Body Mounting



TRACK CONDITIONS

- Indoor Tight Smooth Hard Packed Blue Groove
 Wet Low Bite High Bite Outdoor Open Rough Loose/Loamy
 Dry Dusty Wed Bite Other

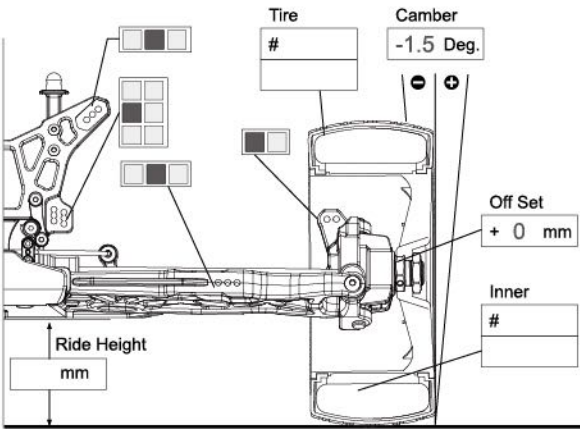
ENGINE

- Gasket mm Plug Muffler Fuel
 Clutch bell 13T 14T 15T Other T Spring 1 mm

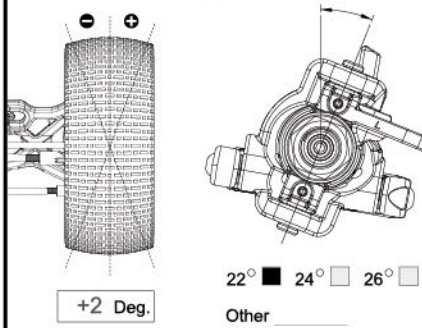
DIFF

- Front 7000 Oil # Center 7000 Oil # Rear 3000 Oil #
 43 T × 10 T Spur gear 49 T 43 T × 10 T

FRONT SUSPENSION



FRONT TOE ANGLE | CASTER ANGLE



ANTI ROLL BAR

- FRONT
- #8019 U Type 1.9mm
 - #8021 U Type 2.1mm
 - #8022 U Type 2.2mm
 - #8023 U Type 2.3mm
 - #8024 U Type 2.4mm
 - #8025 U Type 2.5mm
 - others
- U Type

KICK UP

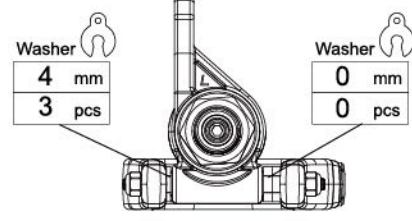


ANTI SQUAT

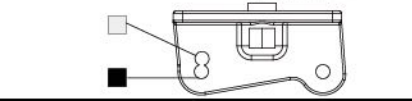
TOE ANGLE



WHEEL BASE



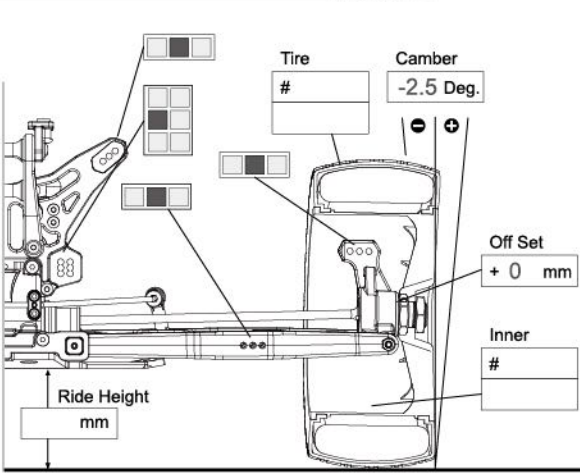
WING POSITION



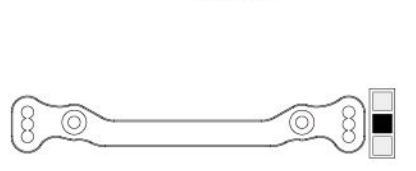
ANTI ROLL BAR

- REAR
- #8322 U Type 2.2mm
 - #8323 U Type 2.3mm
 - #8324 U Type 2.4mm
 - #8325 U Type 2.5mm
 - #8326 W Type 2.6mm
 - #8328 W Type 2.8mm
 - #8330 W Type 3.0mm
 - others 2.8
- U Type W Type(OP)

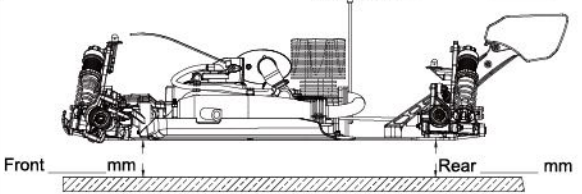
REAR SUSPENSION



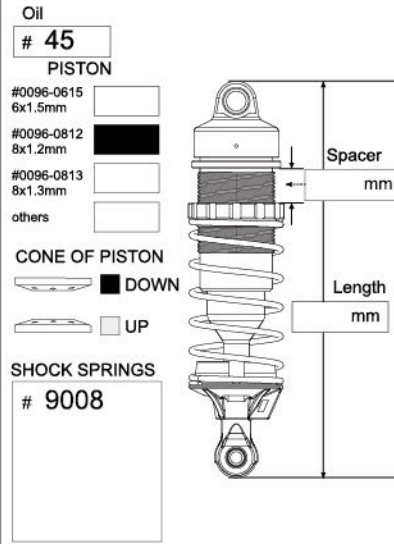
ACKERMAN



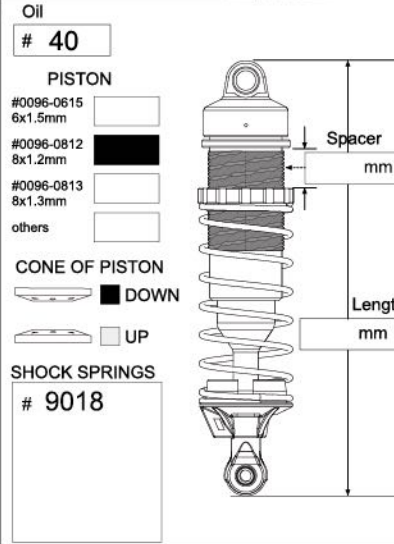
RIDE HEIGHT



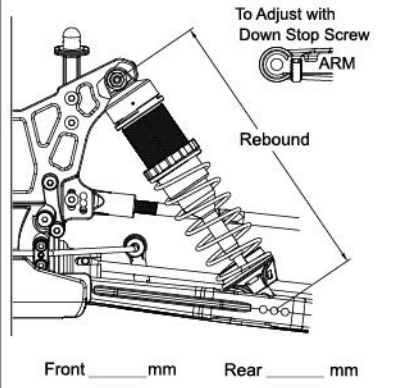
FRONT SHOCK



REAR SHOCK



REBOUND



TRACK CONDITIONS

Indoor Tight Smooth Hard Packed Blue Groove

Wet Low Bite High Bite Outdoor Open Rough Loose/Loamy

Dry Dusty Wed Bite Other

ENGINE

Gasket

mm Plug

Muffler

Fuel

Clutch bell 13T 14T 15T Other T

Shoes 3 4 Spring mm

DIFF Front Oil #

Center Oil #

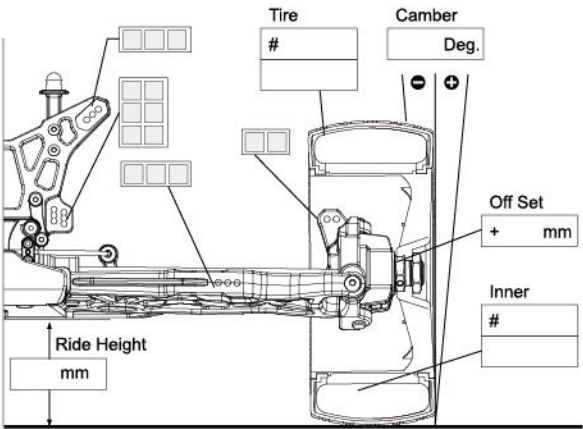
Rear Oil #

T x T

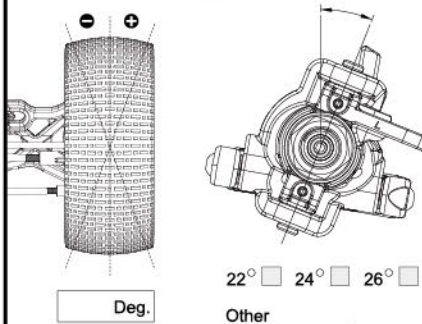
Spur gear T

T x T

FRONT SUSPENSION



FRONT TOE ANGLE CASTER ANGLE



ANTI ROLL BAR FRONT

- #8019 U Type 1.9mm
 - #8021 U Type 2.1mm
 - #8022 U Type 2.2mm
 - #8023 U Type 2.3mm
 - #8024 U Type 2.4mm
 - #8025 U Type 2.5mm
 - others
- U Type

KICK UP

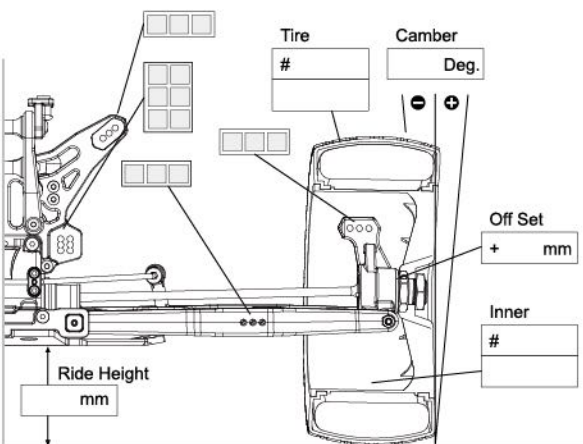


ANTI SQUAT

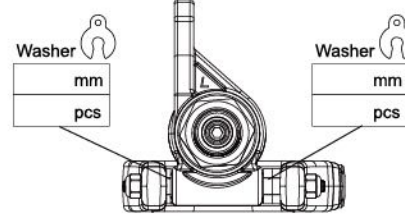
TOE ANGLE



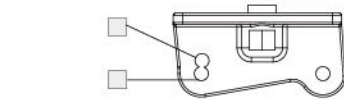
REAR SUSPENSION



WHEEL BASE



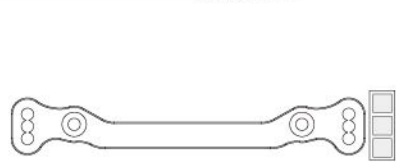
WING POSITION



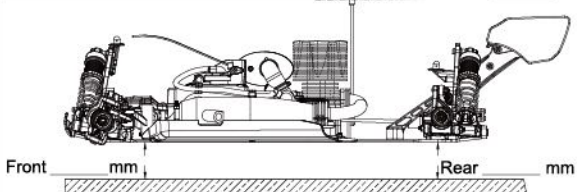
ANTI ROLL BAR REAR

- #8322 U Type 2.2mm
 - #8323 U Type 2.3mm
 - #8324 U Type 2.4mm
 - #8325 U Type 2.5mm
 - #8326 W Type 2.6mm
 - #8328 W Type 2.8mm
 - #8330 W Type 3.0mm
 - others
- U Type
- W Type(OP)

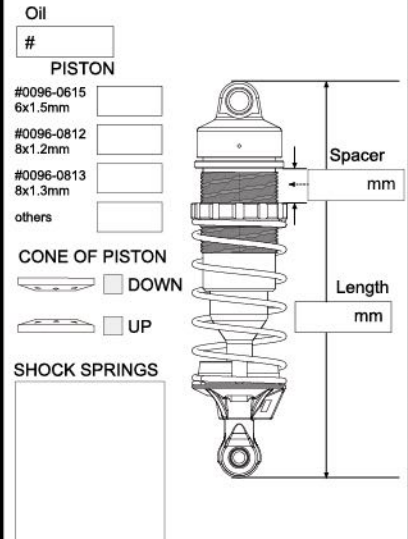
ACKERMAN



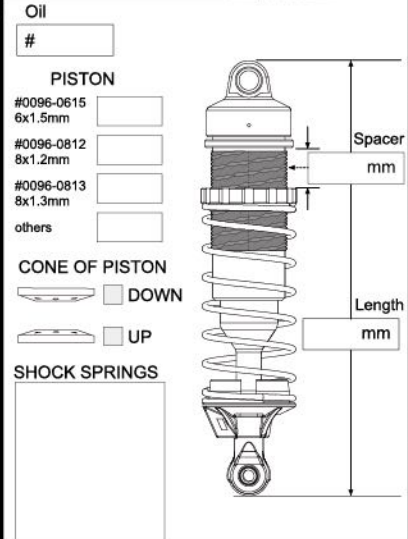
RIDE HEIGHT



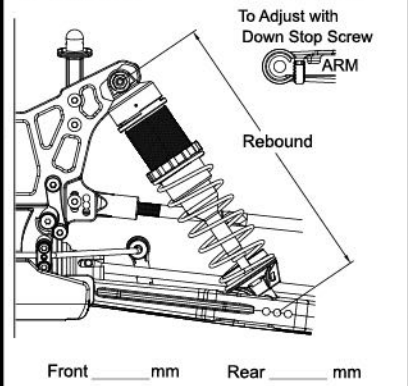
FRONT SHOCK



REAR SHOCK

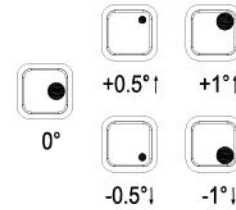
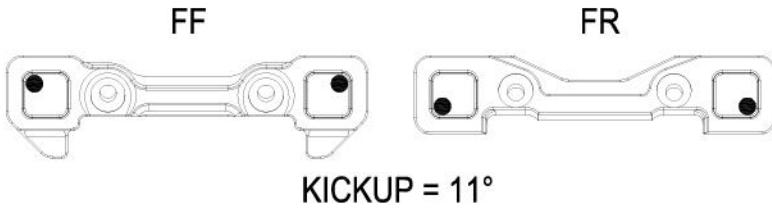


REBOUND

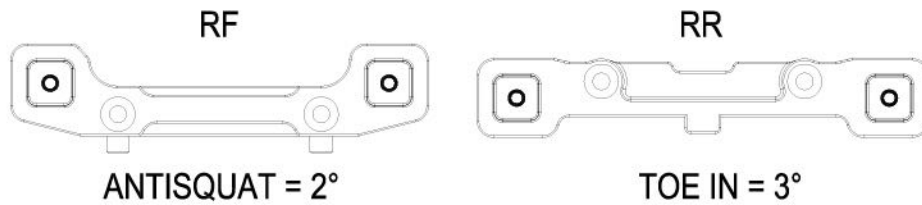


FRONT END

FRONT SUSPENSION KICKUP INSERTS CHART

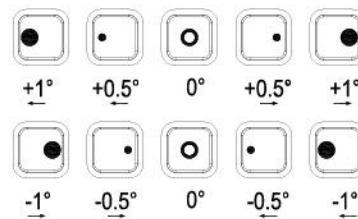
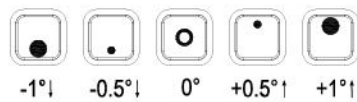


REAR END

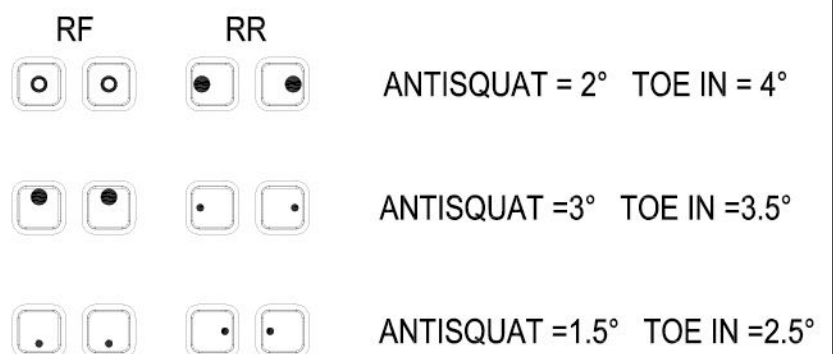
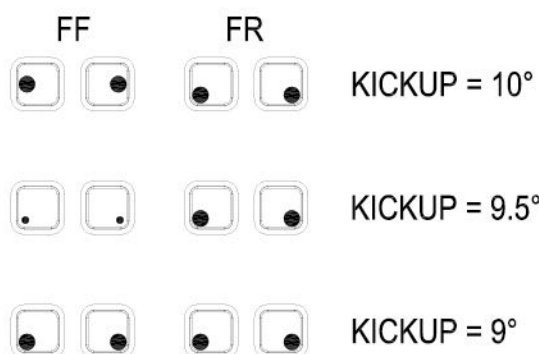


REAR ANTISQUAT INSERTS CHART

REAR TOE IN INSERTS CHART



OTHER SETTING EXAMOLES



MEMO



A series of horizontal dashed lines for writing, spanning the width of the page below the header.

A215



 agama

***1/8 SCALE 4WD
NITRO OFFROAD TRUGGY***

U.J. ENTERPRISE CO., LTD.
E-mail: contact@agama-rc.com