

TRACK CONDITIONS

Indoor Tight Smooth Hard Packed Blue Groove

Wet Low Bite High Bite Outdoor Open Rough Loose/Loamy

Dry Dusty Wed Bite Other _____

ENGINE

Gasket

mm Plug

Muffler

Fuel

Clutch bell 13T 14T 15T Other _____ T

Shoes 3 4 Spring mm

DIFF

Front

Oil #

Center

Oil #

Rear

Oil #

T

x

T

Spur gear

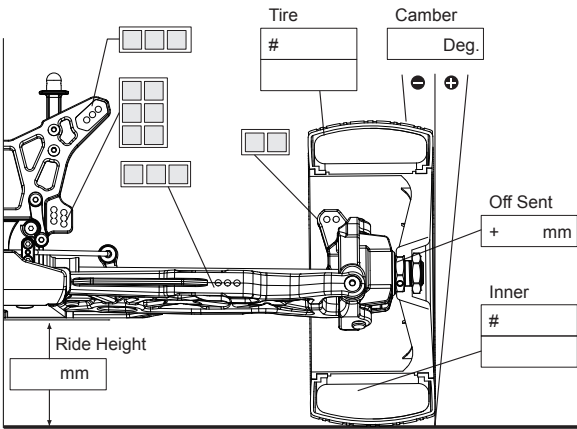
T

T

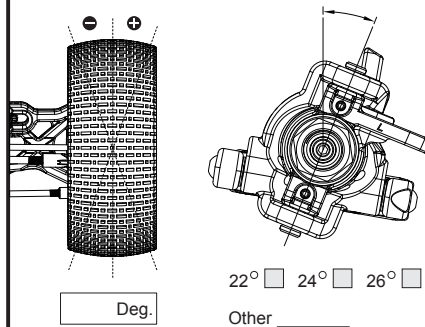
x

T

Front Suspension



Front Toe angle **Caster Angle**



Anti-roll bar FRONT

- #8019 U Type 1.9mm
 - #8021 U Type 2.1mm
 - #8022 U Type 2.2mm
 - #8023 U Type 2.3mm
 - #8024 U Type 2.4mm
 - #8025 U Type 2.5mm
 - others
- U Type

Kick Up

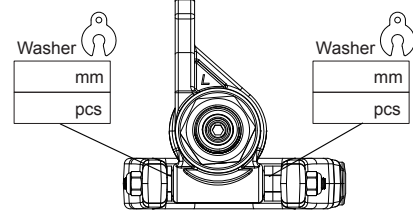


Anti Squat

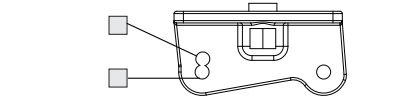
Toe Angle



Wheel base



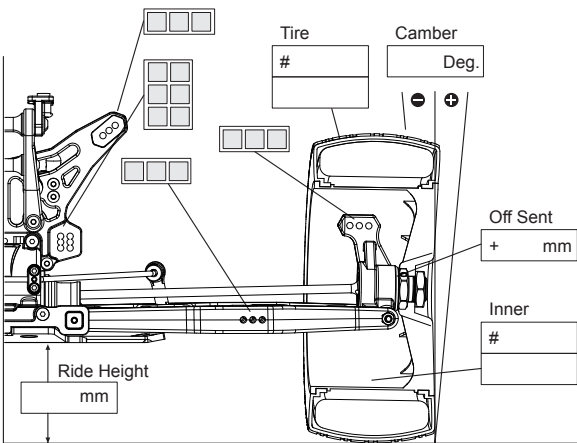
Wing position



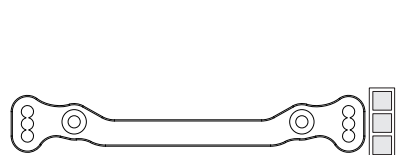
Anti-roll bar REAR

- #8322 U Type 2.2mm
 - #8323 U Type 2.3mm
 - #8324 U Type 2.4mm
 - #8325 U Type 2.5mm
 - #8326 W Type 2.6mm
 - #8328 W Type 2.8mm
 - #8330 W Type 3.0mm
 - others
- U Type W Type(OP)

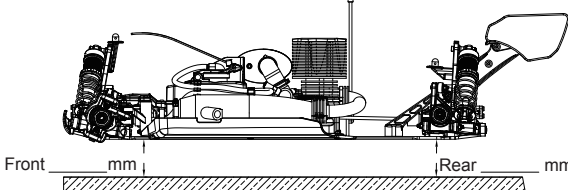
Rear Suspension



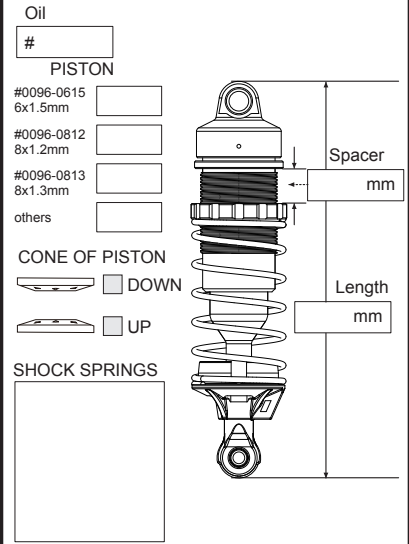
Acker man



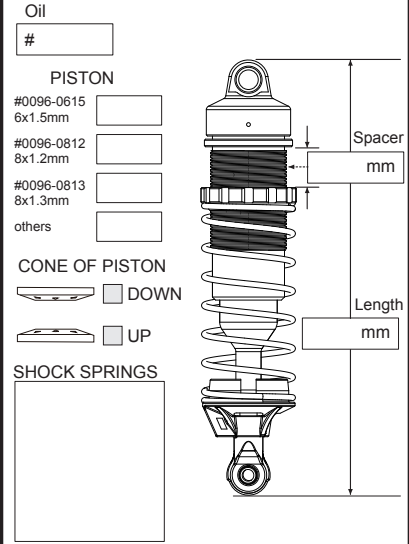
RIDE HEIGHT



Front Shock



Rear Shock



Rebound

