

TRACK CONDITIONS Indoor Tight Smooth Hard Packed Blue Groove

Wet Low Bite High Bite Outdoor Open Rough Loose/Loamy

Dry Dusty Med Bite Other _____

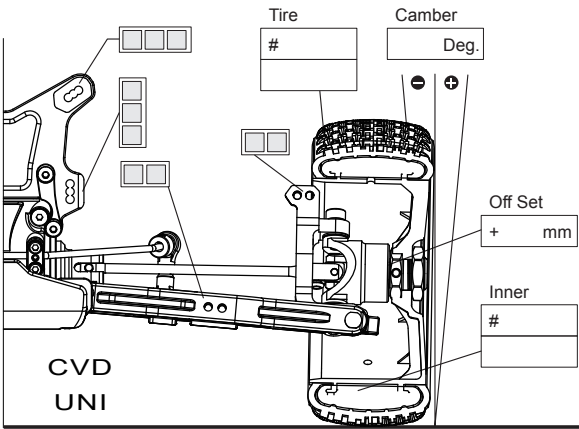
ENGINE Gasket mm Plug Muffler Fuel

Clutch bell 16T 17T 18T Other _____ T Shoes 3 4 Spring mm

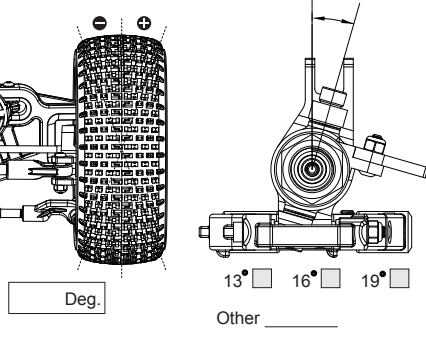
DIFF Front Oil # Center Oil # Rear Oil #

_____ T x _____ T Spur gear T _____ T x _____ T

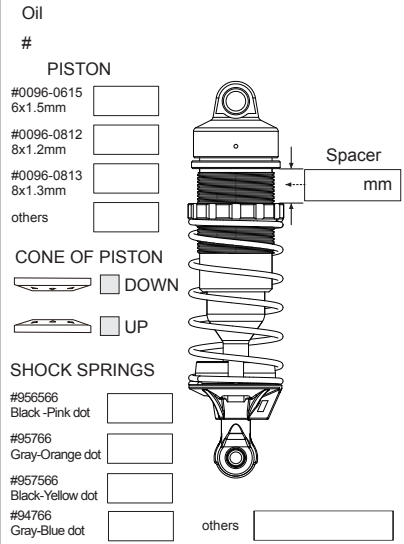
Front Suspension



Front Toe angle Caster Angle

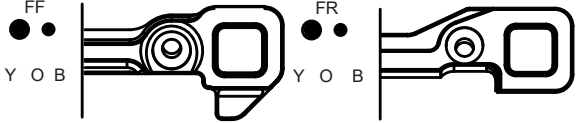


Front Shock

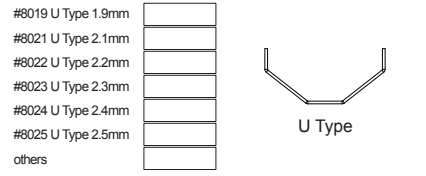


Kick Up

Toe Angle



Anti-roll bar FRONT

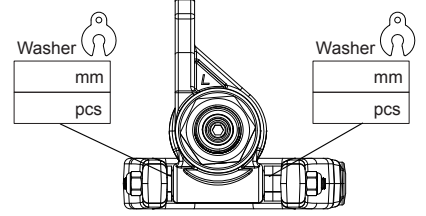


Anti Squat

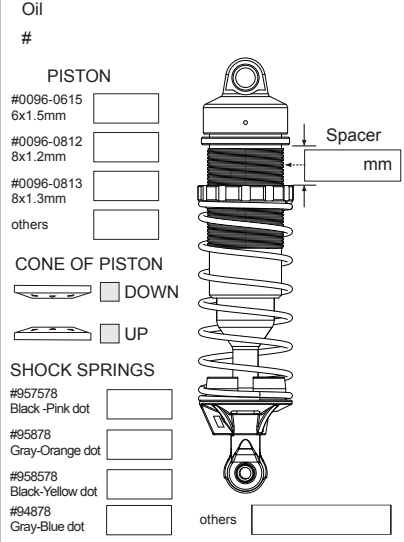
Toe Angle



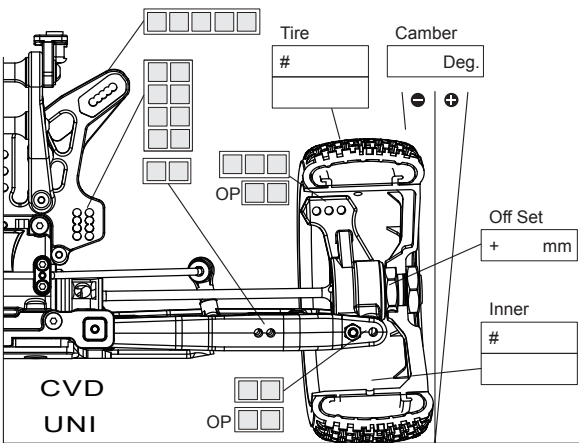
Wheel base



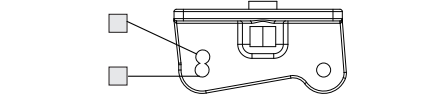
Rear Shock



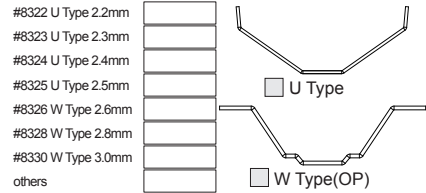
Rear Suspension



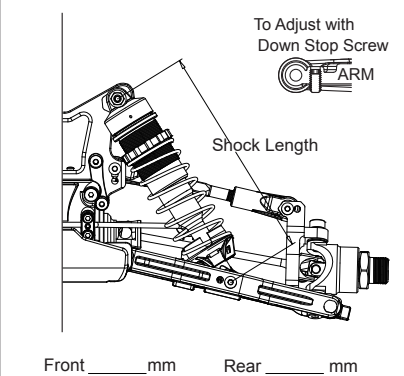
Wing position



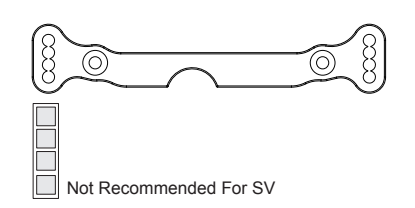
Anti-roll bar REAR



DROOP LIMITER



Acker man



RIDE HEIGHT

