

**TRACK CONDITIONS**

Indoor     Tight     Smooth     Hard Packed     Blue Groove

Wet     Low Bite     High Bite     Outdoor     Open     Rough     Loose/Loamy

Dry     Dusty     Med Bite     Other \_\_\_\_\_

**ELECTRONICS**

Motor \_\_\_\_\_

ESC \_\_\_\_\_

Pinion \_\_\_\_\_

Battery \_\_\_\_\_

**DIFF**

Front

Oil # \_\_\_\_\_

Center

Oil # \_\_\_\_\_

Rear

Oil # \_\_\_\_\_

T

x

T

Spur gear

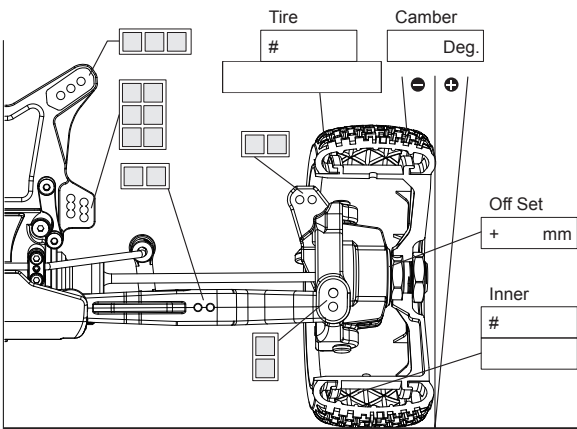
T

T

x

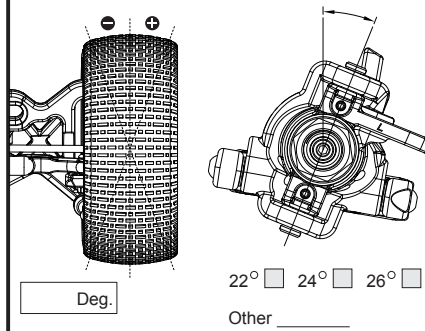
T

**Front Suspension**



**Front Toe angle**

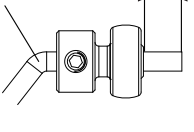
**Caster Angle**



**Anti-roll bar**

- #8019 angle type 1.9mm
- #8021 angle type 2.1mm
- #8022 angle type 2.2mm
- #8023 angle type 2.3mm
- #8024 angle type 2.4mm
- #8025 angle type 2.5mm
- others \_\_\_\_\_

**FRONT**



**Front Shock**

Oil # \_\_\_\_\_

**PISTON**

- #0096-0615 6x1.5mm
- #0096-0812 8x1.2mm
- #0096-0813 8x1.3mm
- others \_\_\_\_\_

**SHOCK SPRINGS**

- #9680 Black-Red dot
- #9685 Black-Orange dot
- #9690 Black-Yellow dot
- others \_\_\_\_\_

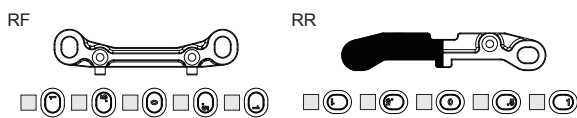
PRELOAD \_\_\_\_\_ mm

**Kick Up**

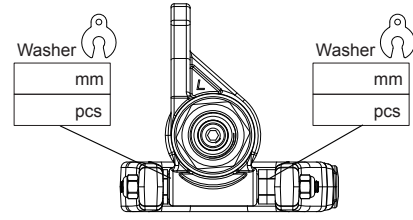


**Anti Squat**

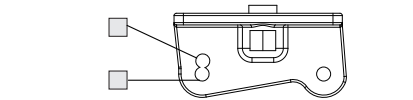
**Toe Angle**



**Wheel base**



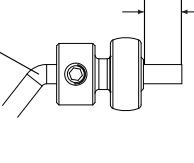
**Wing position**



**Anti-roll bar**

- #8322 angle type 2.2mm
- #8323 angle type 2.3mm
- #8324 angle type 2.4mm
- #8325 angle type 2.5mm
- #8326 wave type 2.6mm
- #8328 wave type 2.8mm
- #8330 wave type 3.0mm
- others \_\_\_\_\_

**REAR**



**Rear Shock**

Oil # \_\_\_\_\_

**PISTON**

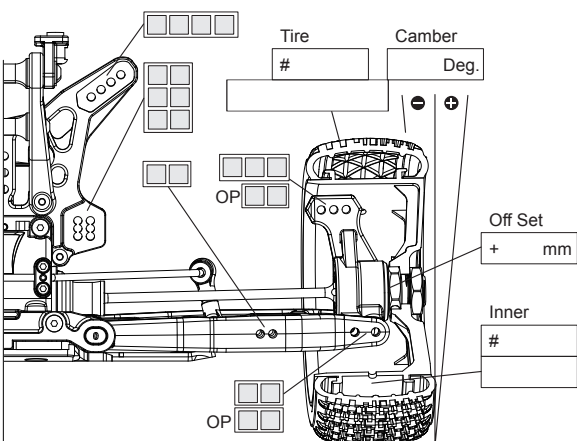
- #0096-0615 6x1.5mm
- #0096-0812 8x1.2mm
- #0096-0813 8x1.3mm
- others \_\_\_\_\_

**SHOCK SPRINGS**

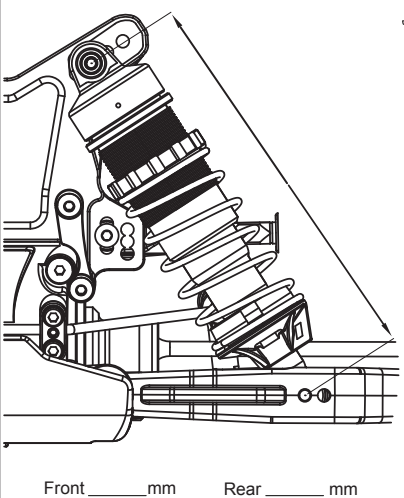
- #9785 Black-Red dot
- #9790 Black-Orange dot
- #9795 Black-Yellow dot
- others \_\_\_\_\_

PRELOAD \_\_\_\_\_ mm

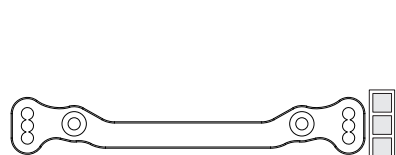
**Rear Suspension**



**SHOCK LENGTH**



**Acker man**



**RIDE HEIGHT**

