

**TRACK CONDITIONS**

Indoor     Tight     Smooth     Hard Packed     Blue Groove

Wet     Low Bite     High Bite     Outdoor     Open     Rough     Loose/Loamy

Dry     Dusty     Med Bite     Other \_\_\_\_\_

**ELECTRONICS**

Motor \_\_\_\_\_

ESC \_\_\_\_\_

Pinion \_\_\_\_\_

Battery \_\_\_\_\_

**DIFF**

Front

Oil # \_\_\_\_\_

Center

Oil # \_\_\_\_\_

Rear

Oil # \_\_\_\_\_

T

x

T

Spur gear

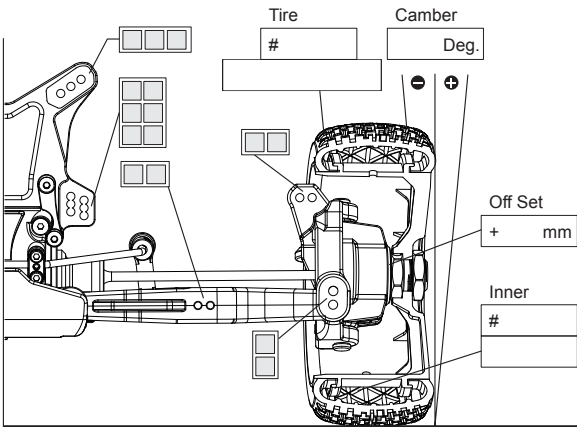
T

T

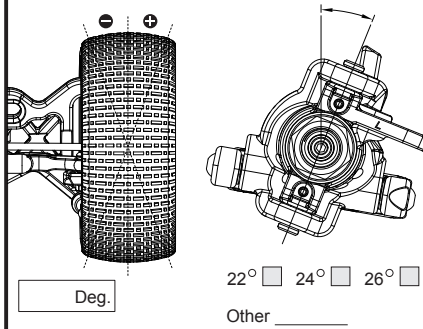
x

T

**Front Suspension**



**Front Toe angle    Caster Angle**



**Front Shock**

Oil # \_\_\_\_\_

**PISTON**

#0096-0615 6x1.5mm

#0096-0812 8x1.2mm

#0096-0813 8x1.3mm

others

**SHOCK SPRINGS**

#9680 Black-Red dot

#9685 Black-Orange dot

#9690 Black-Yellow dot

others

PRELOAD \_\_\_\_\_ mm

**Kick Up**



**Anti-roll bar**

#8019 angle type 1.9mm

#8021 angle type 2.1mm

#8022 angle type 2.2mm

#8023 angle type 2.3mm

#8024 angle type 2.4mm

#8025 angle type 2.5mm

others

FRONT

**Rear Shock**

Oil # \_\_\_\_\_

**PISTON**

#0096-0615 6x1.5mm

#0096-0812 8x1.2mm

#0096-0813 8x1.3mm

others

**SHOCK SPRINGS**

#9785 Black-Red dot

#9790 Black-Orange dot

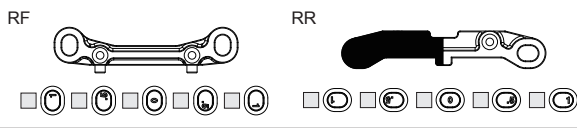
#9795 Black-Yellow dot

others

PRELOAD \_\_\_\_\_ mm

**Anti Squat**

**Toe Angle**

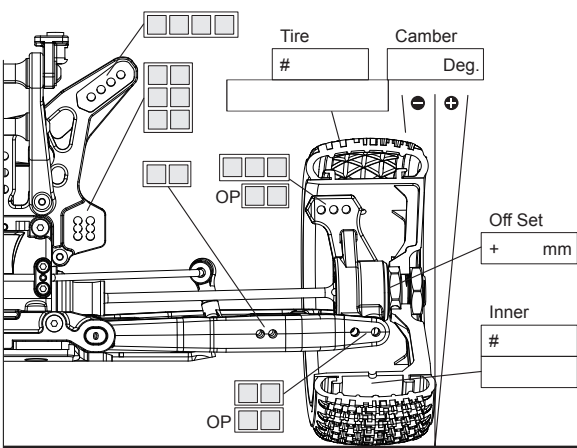


**Wheel base**

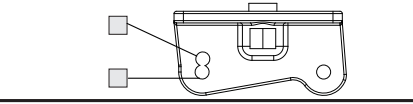
Washer \_\_\_\_\_ mm \_\_\_\_\_ pcs

Washer \_\_\_\_\_ mm \_\_\_\_\_ pcs

**Rear Suspension**



**Wing position**



**Anti-roll bar**

\_\_\_\_\_ REAR

#8322 angle type 2.2mm

#8323 angle type 2.3mm

#8324 angle type 2.4mm

#8325 angle type 2.5mm

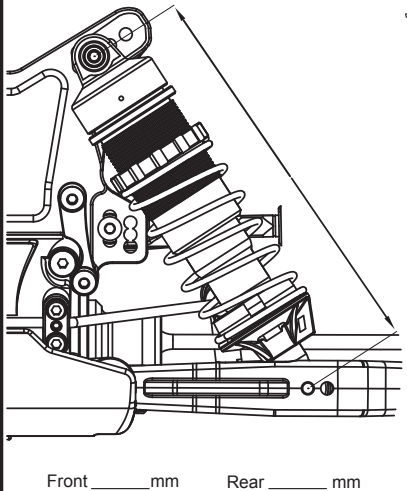
#8326 wave type 2.6mm

#8328 wave type 2.8mm

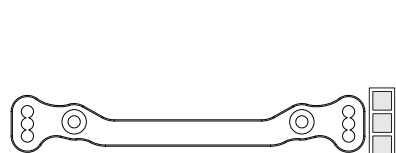
#8330 wave type 3.0mm

others

**SHOCK LENGTH**



**Acker man**



**RIDE HEIGHT**

