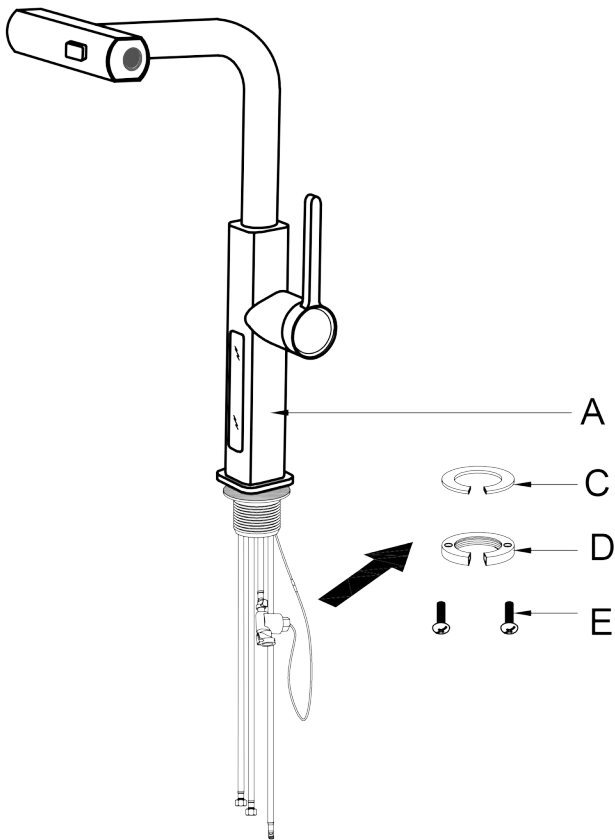


## Step 1. Remove Mounting Hardware

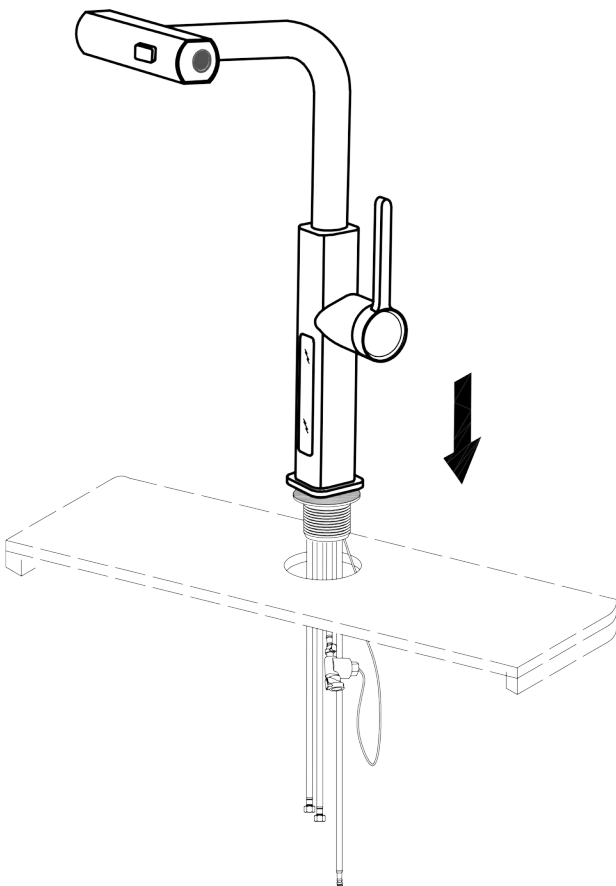
---



Remove mounting hardware (C-E) from the faucet body (A).

## Step 2. Installing the Faucet Assembly

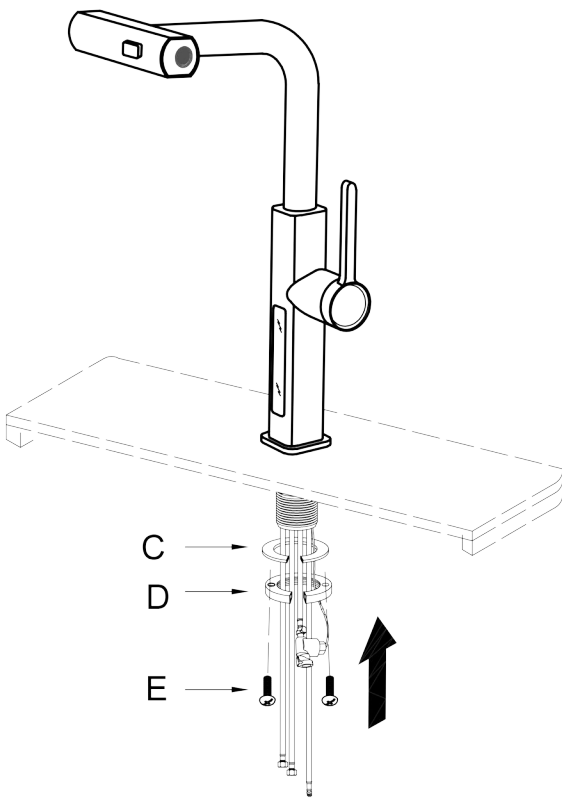
---



Shut off the water supply. Remove the old faucet. Clean the mounting surface. Thread the faucet through the hole and install it on the countertop.

### Step 3. Install Mounting Hardware

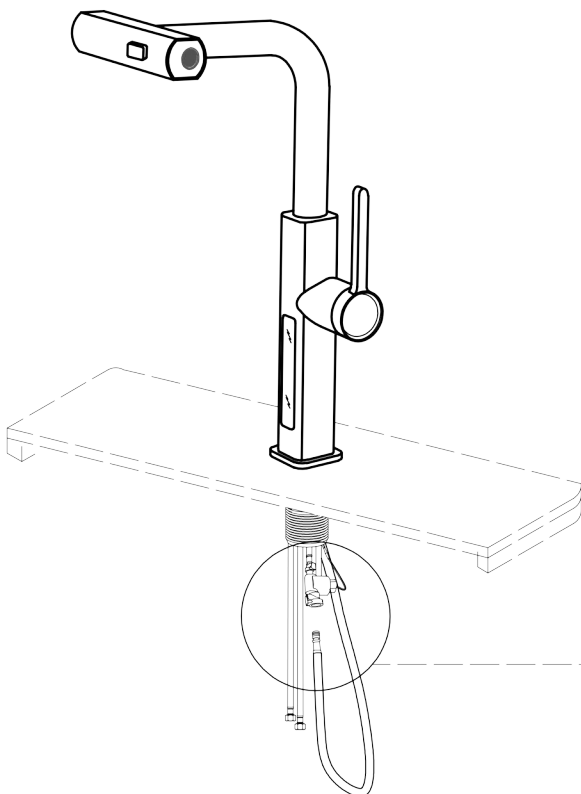
---



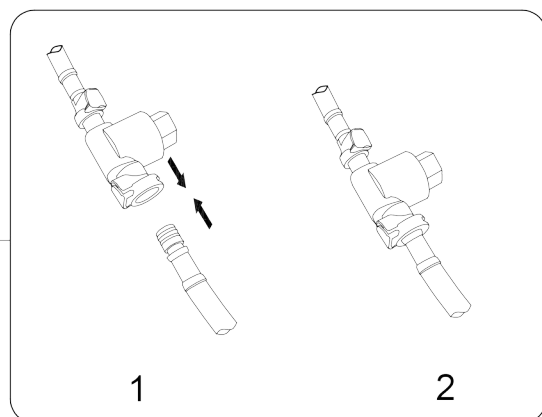
Install the mounting hardware (C-E) in sequence according to the figure below, and fix the faucet on the countertop.

### Step 4. Assemble Digital Display Component

---

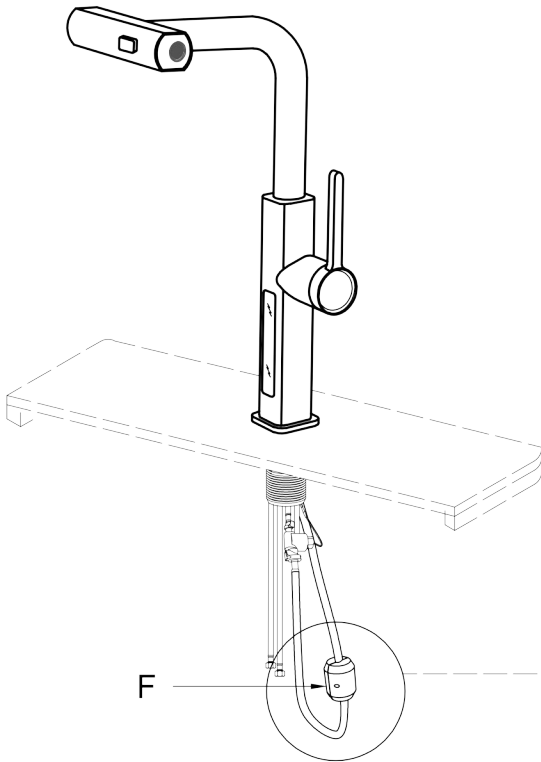


Assemble the digital display component according to the figure below.

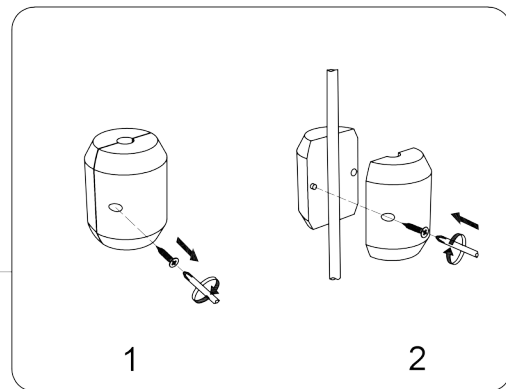


## Step 5. Assembling the Gravity Hammer

---

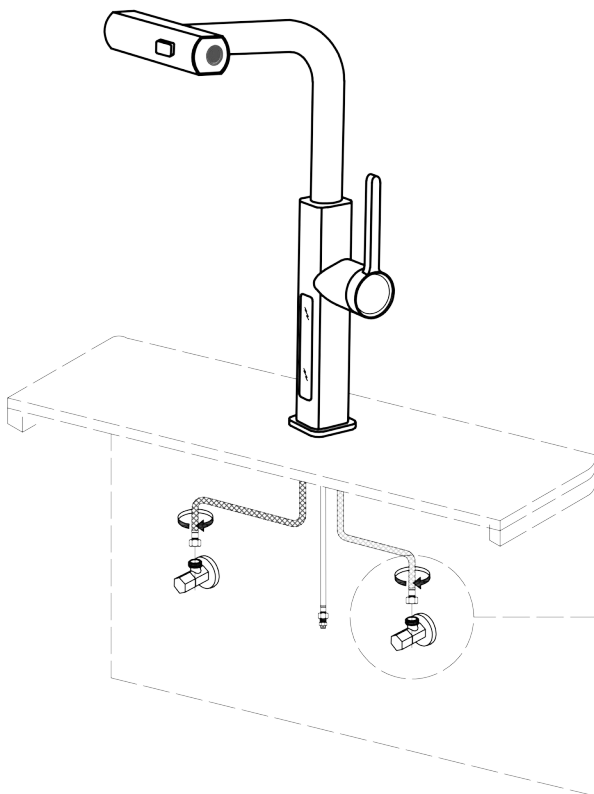


Assemble the gravity hammer to the pull cord as shown in the figure below. Its height is preferably one-third of the height of the end.

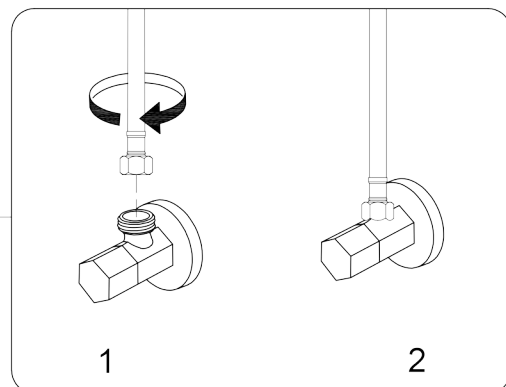


## Step 6. Making the Waterline Connections

---

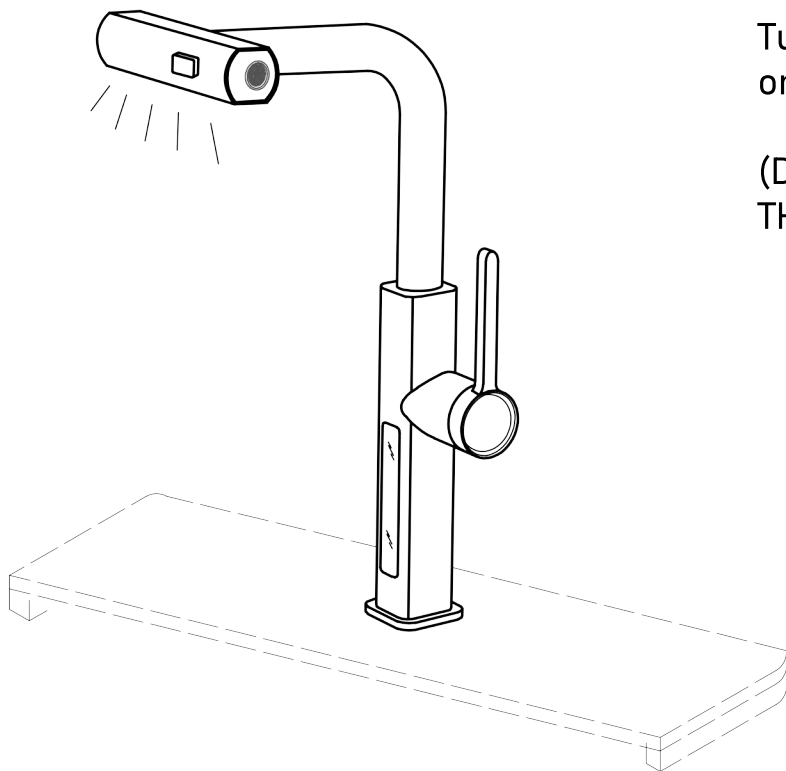


Connect the hot and cold water pipes to the water suppliers separately, please pay attention to distinguish the hot and cold water suppliers.



## Step 7. Turn the Faucet On and Check for Leaks

---



Turn on angle stops, turn the faucet on and check for leaks.

**(DO NOT TURN FAUCET ON BEFORE THE INSTALLATION IS COMPLETE)**