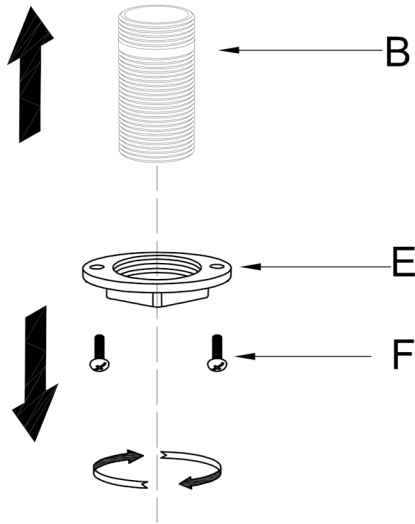
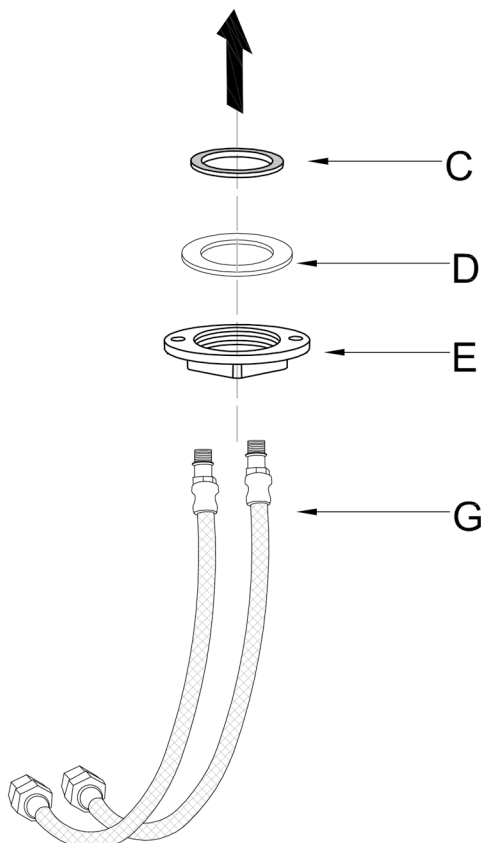


Step 1. Remove mounting hardware



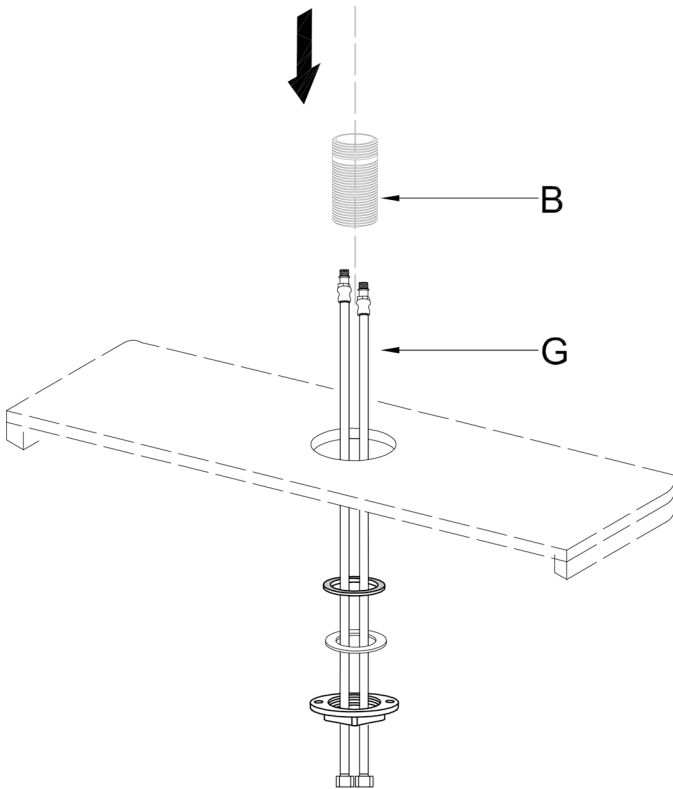
Shut off the water supply. Remove the old faucet. Clean the mounting surface. Remove mounting hardware (E & F) from threaded metal pipe(G).

Step 2. Installing the hot and cold water pipes



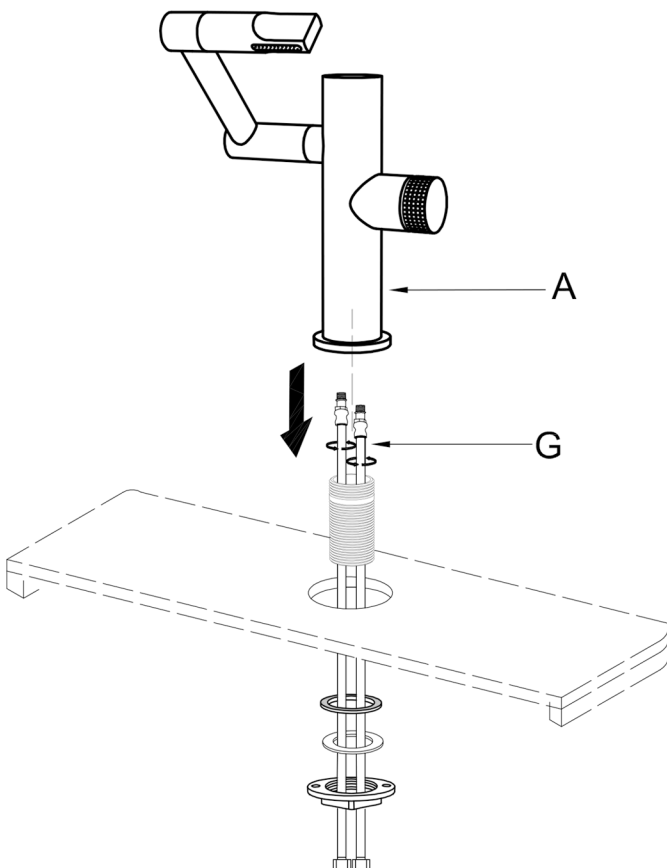
Install the hot and cold water pipes (G) through the mounting hardware (E) and screw in tightly.

Step 3. Install the hot and cold water pipes



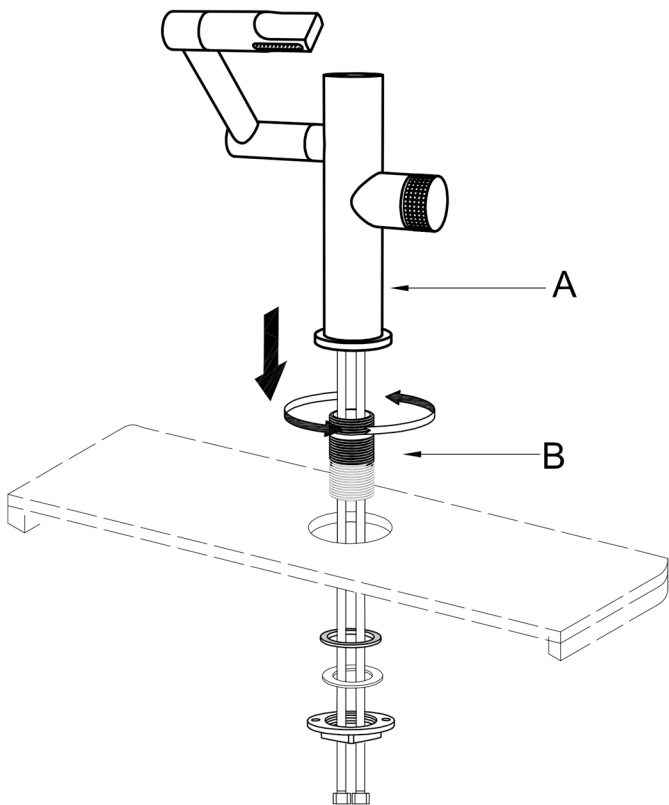
Swivel the hot and cold water pipes (G) through threaded metal pipe (B) into the faucet body.

Step 4. Install faucet body to countertop



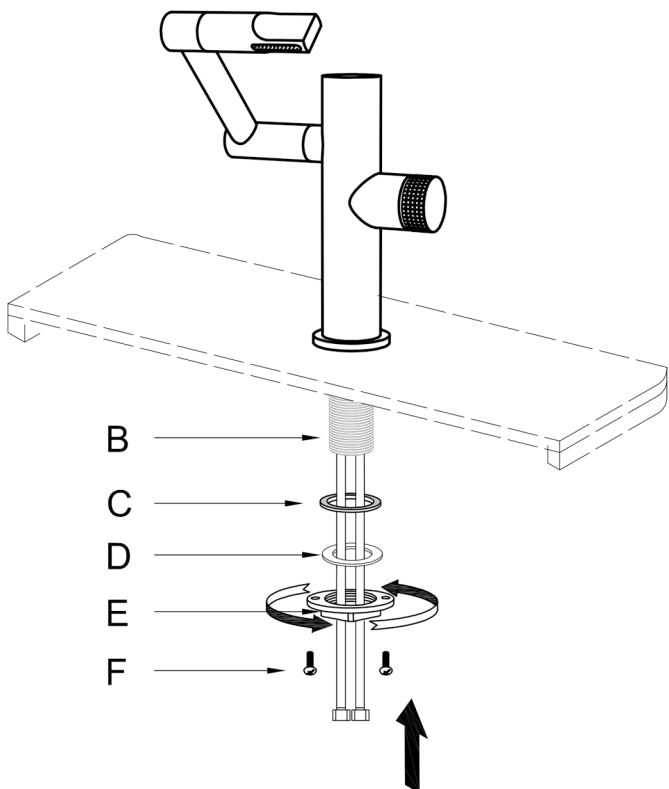
Insert faucet body (A) through the hole in the sink or the countertop.

Step 5. Install mounting hardware



Pass the rubber gasket, metal gasket and mounting hardware through the metal pipe in turn and tighten them.

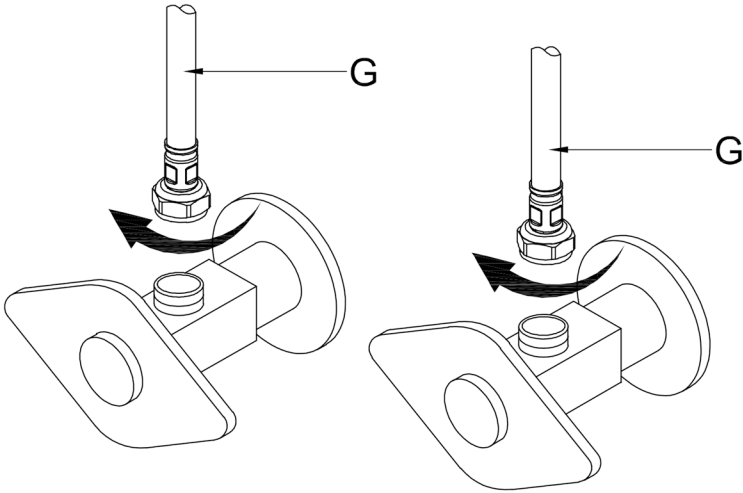
Step 6. Install mounting hardware



Install the mounting hardwares in sequence.
Do not overtighten.

Step 7. Making the waterline connections

Thread the nut on the supply line onto the outlet of the water supply valve and tighten with a wrench. Do not overtighten.



Step 8. Turn the faucet on and check for leaks

Turn on angle stops, turn the faucet on and check for leaks.

(DO NOT TURN FAUCET ON BEFORE THE INSTALLATION IS COMPLETE)

