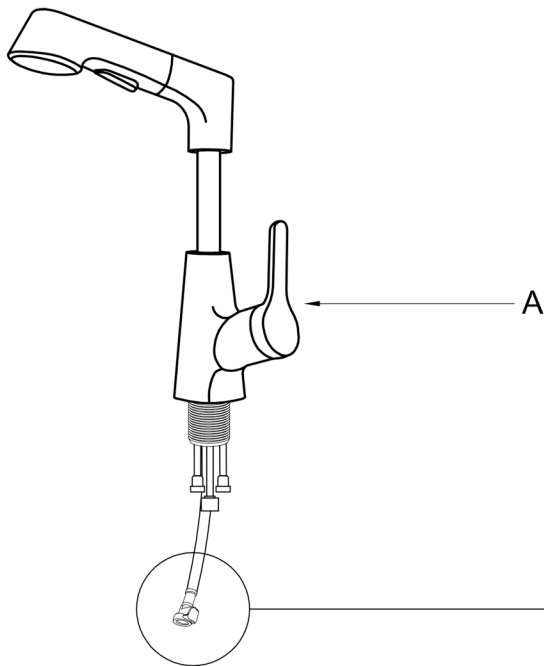
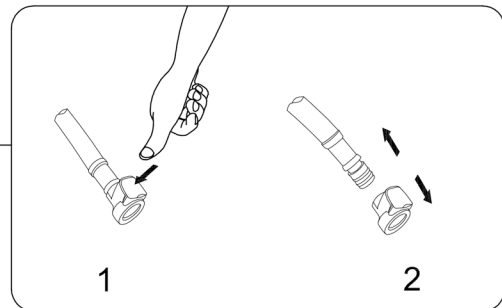


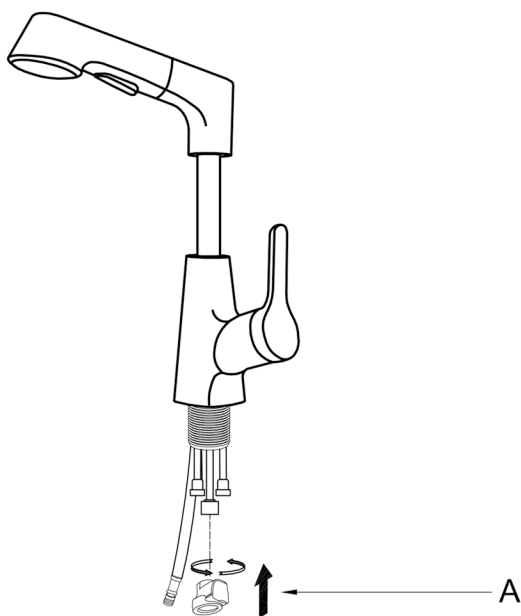
Step 1. Remove mounting hardware



Shut off the water supply. Remove the old faucet. Clean the mounting surface.
Untie the rope of the gravity hammer as shown in the figure below.

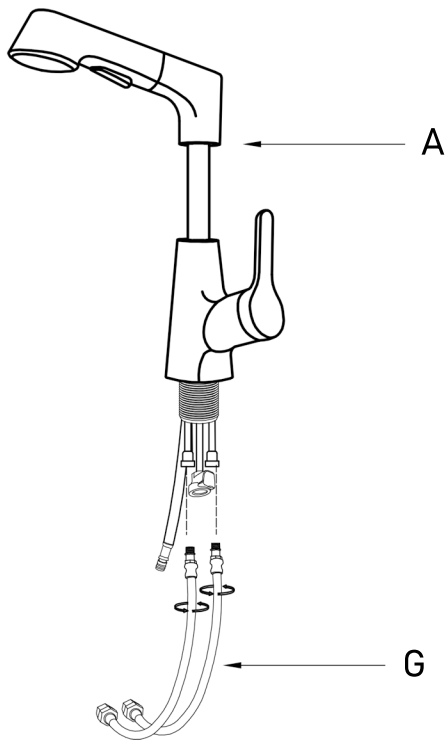


Step 2. Installing the faucet assembly



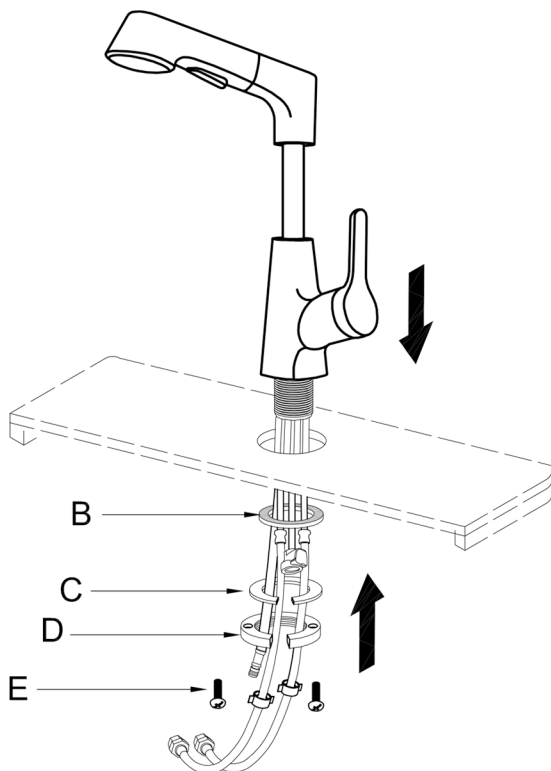
Connect the adapter of the gravity hammer rope to the faucet body.

Step 3. Install hot and cold water pipes



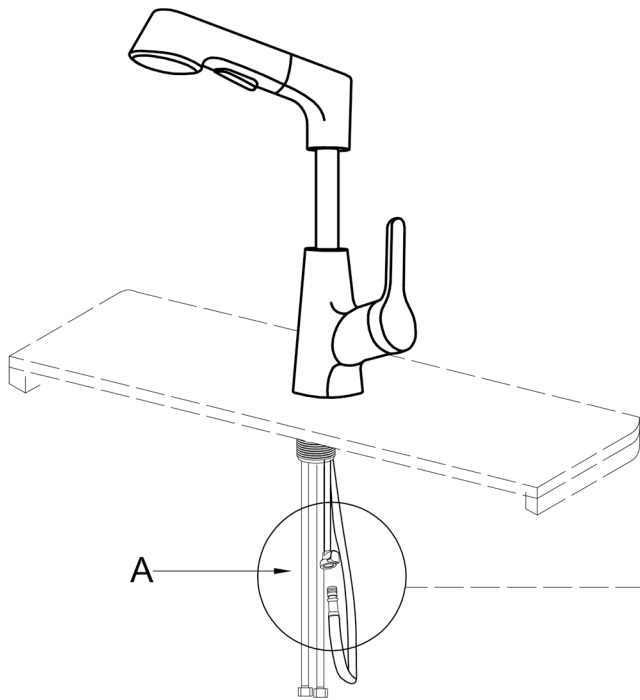
Swivel the hot and cold water pipes (G) into the faucet body (A).

Step 4. Install faucet body to countertop

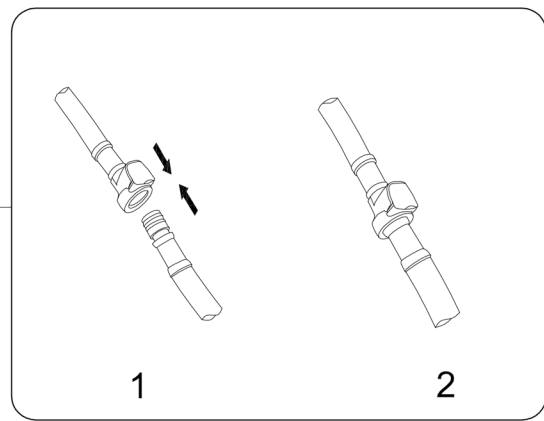


Insert faucet body through the hole in the sink or the countertop.

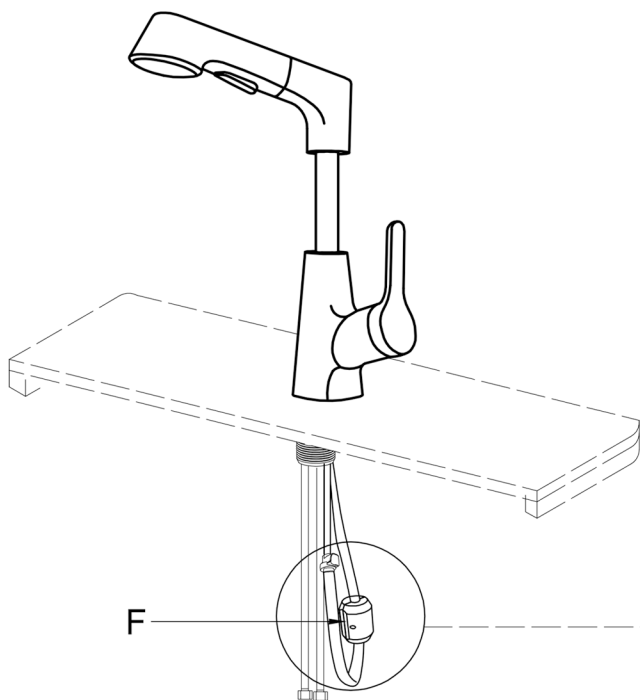
Step 5. Connect the gravity hammer rope



Reattach the gravity hammer rope according to the figure below.

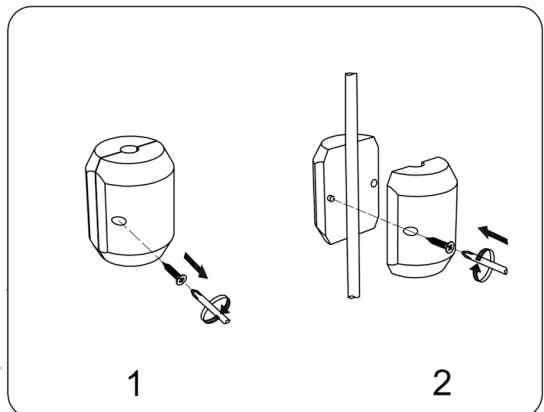


Step 6. Install gravity hammer

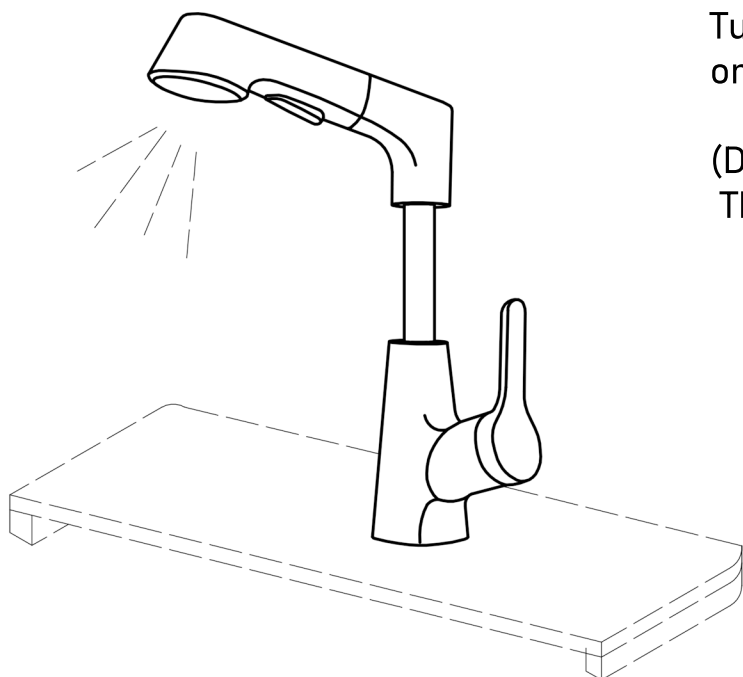


Operate the gravity hammer as shown in the picture below and attach it to the rope.

Check whether the spray can be pulled and rebounded normally. If not, please adjust the position of the gravity hammer and install and test again.



Step 7. Turn the faucet on and check for leaks



Turn on angle stops, turn the faucet on and check for leaks.

(DO NOT TURN FAUCET ON BEFORE THE INSTALLATION IS COMPLETE)