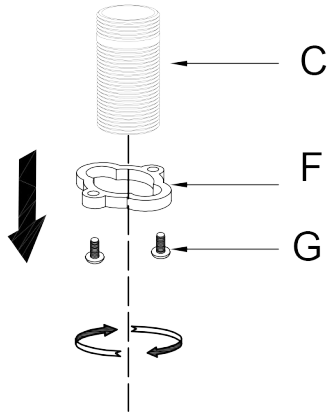


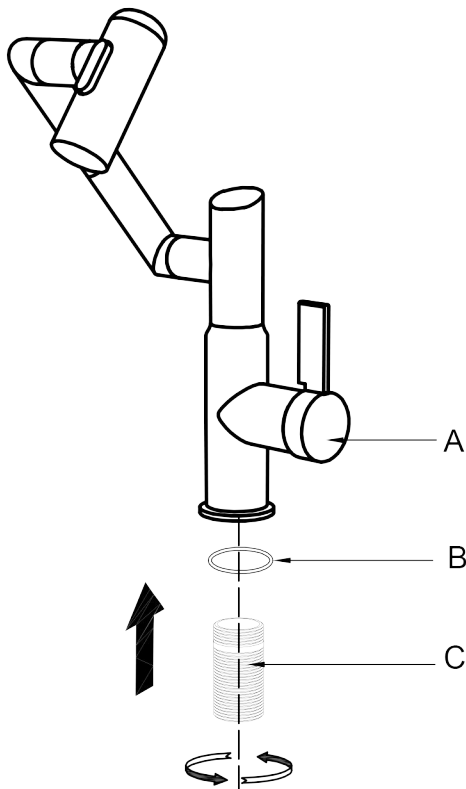
Step 1. Remove mounting hardware

Shut off the water supply. Remove the old faucet. Clean the mounting surface. Remove mounting hardware (F & G) from threaded metal pipe (C).

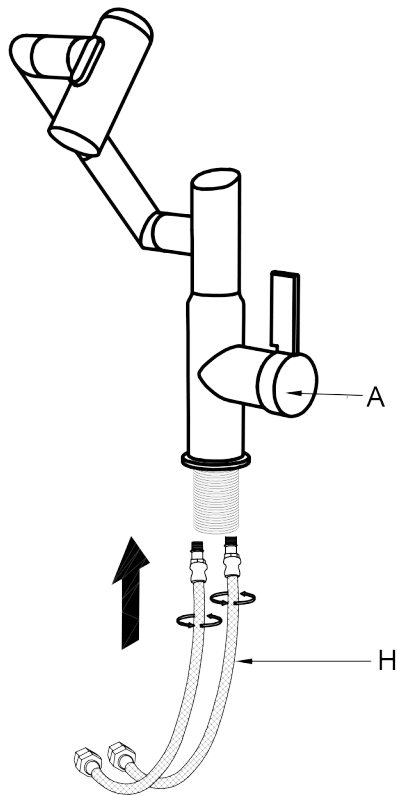


Step 2. Installing the faucet assembly

Install the waterproof rubber ring (B) and the threaded metal pipe (C) on the faucet body (A) in sequence.

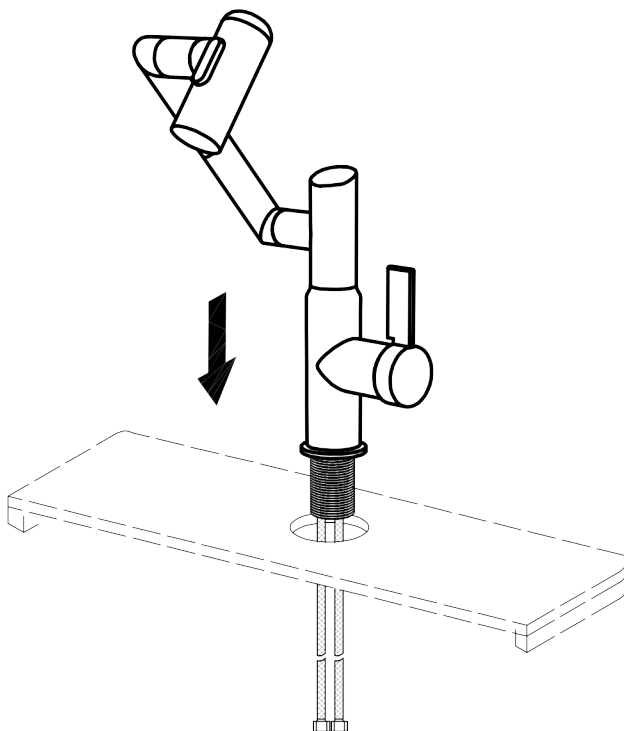


Step 3. Install hot and cold water pipes



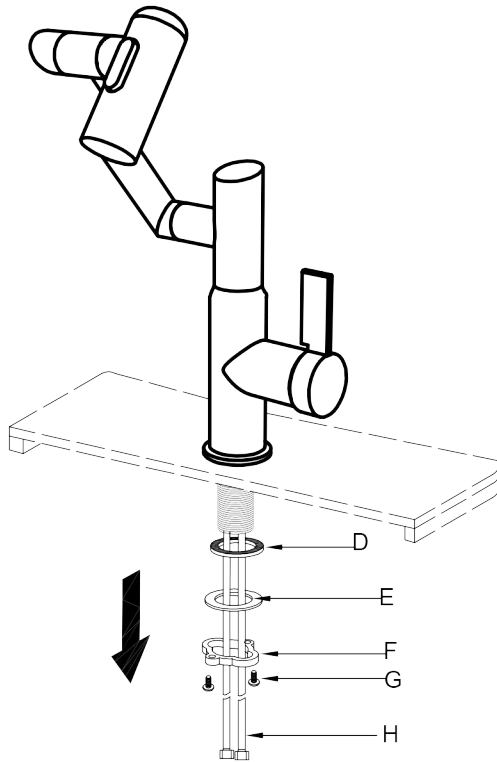
Swivel the hot and cold water pipes (H) into the faucet body (A).

Step 4. Install faucet body to countertop

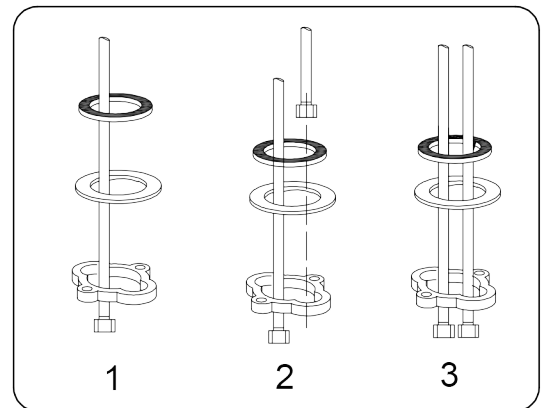


Insert faucet body through the hole in the sink or the countertop.

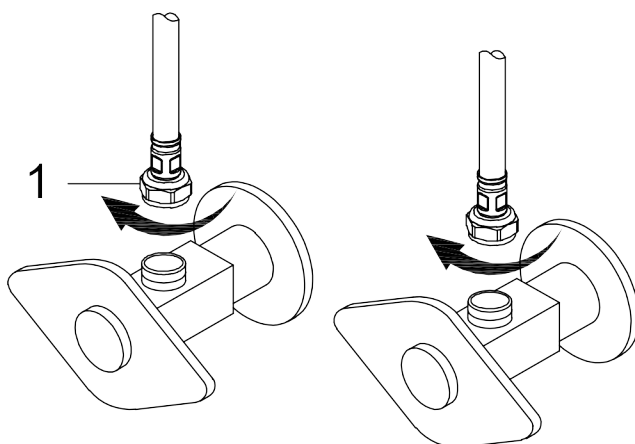
Step 5. Install mounting hardware



Pass the rubber gasket (D), metal gasket (E) and mounting hardware (F & G) through the metal pipe in turn and tighten them.
When the above assemblies through the hot and cold water pipes (H), please refer to the picture below.

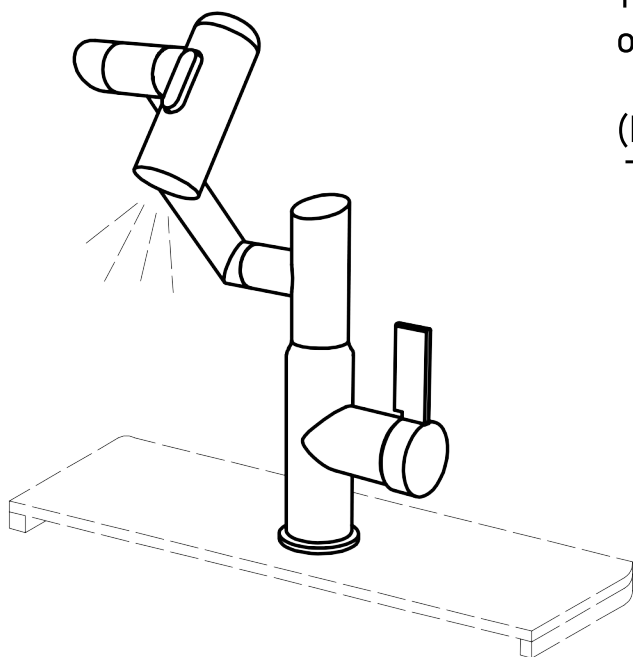


Step 6. Making the waterline connections



Thread the nut (1) on the supply line onto the outlet of the water supply valve and tighten with a wrench.
Do not overtighten.

Step 7. Turn the faucet on and check for leaks



Turn on angle stops, turn the faucet on and check for leaks.

(DO NOT TURN FAUCET ON BEFORE THE INSTALLATION IS COMPLETE)
