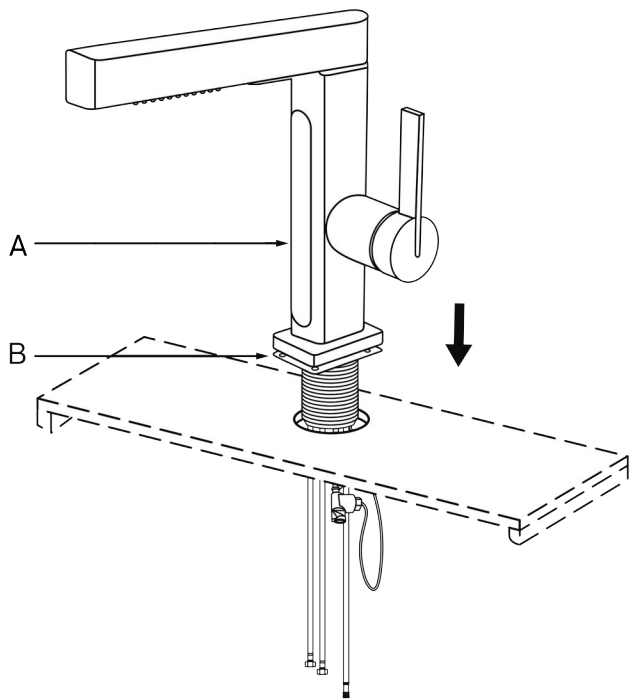
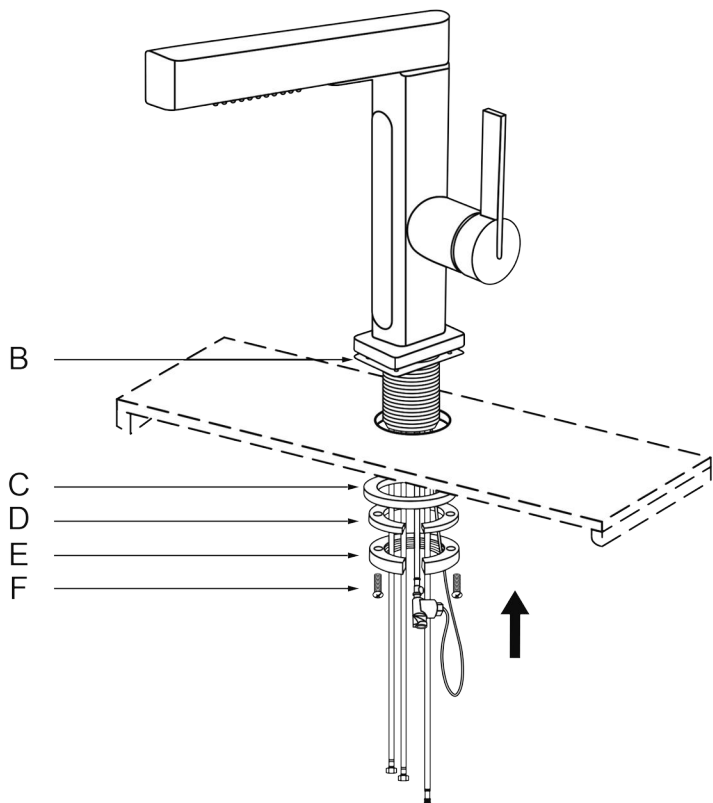


Step 1. Installing the faucet assembly



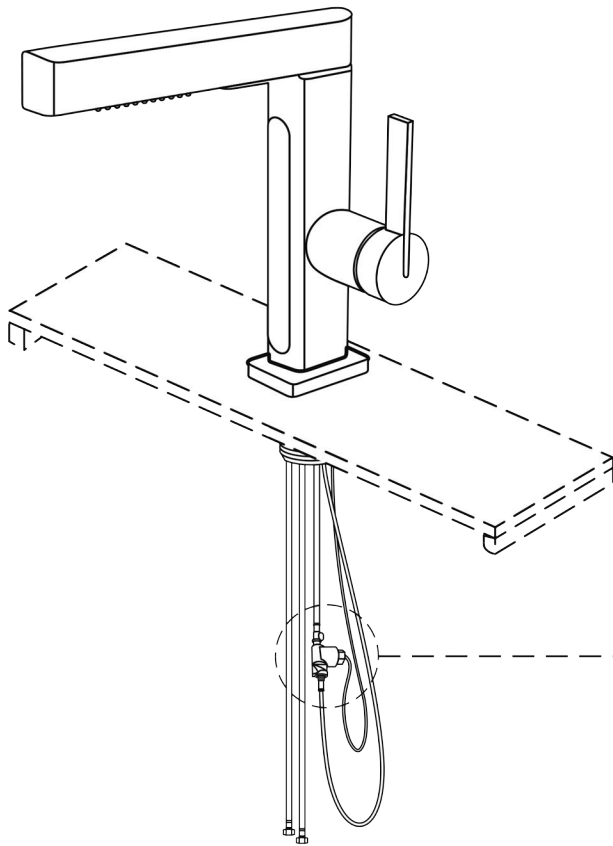
Shut off the water supply. Remove the old faucet. Clean the mounting surface. Thread the faucet through the hole and install it on the countertop.

Step 2. Install mounting hardware

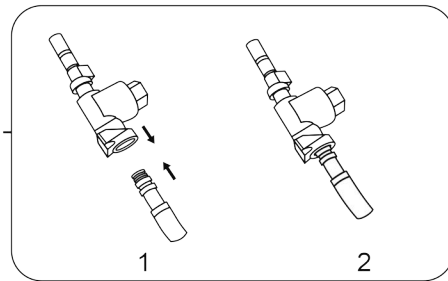


Install the mounting hardware (B-F) in sequence according to the figure below, and fix the faucet on the countertop.

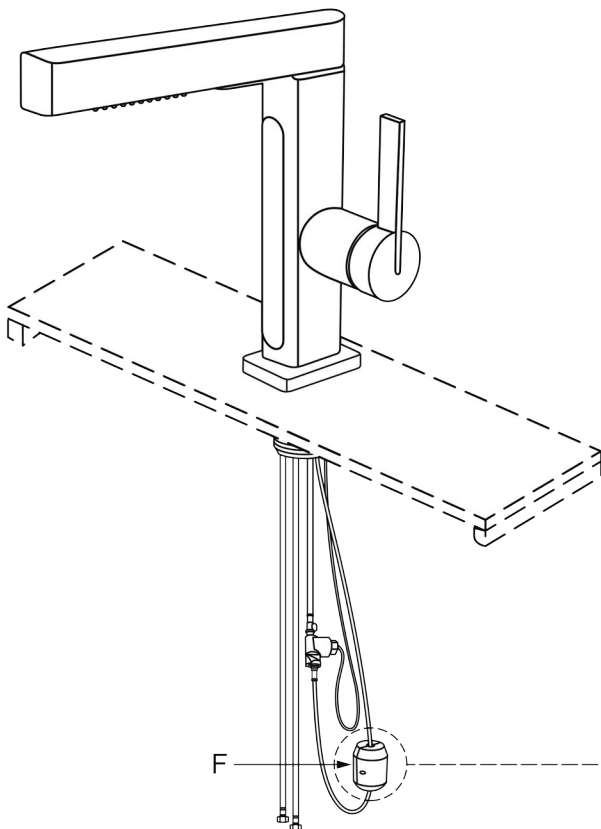
Step 3. Assemble digital display component



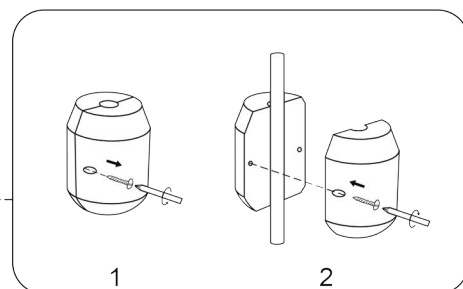
Assemble the digital display component according to the figure below.



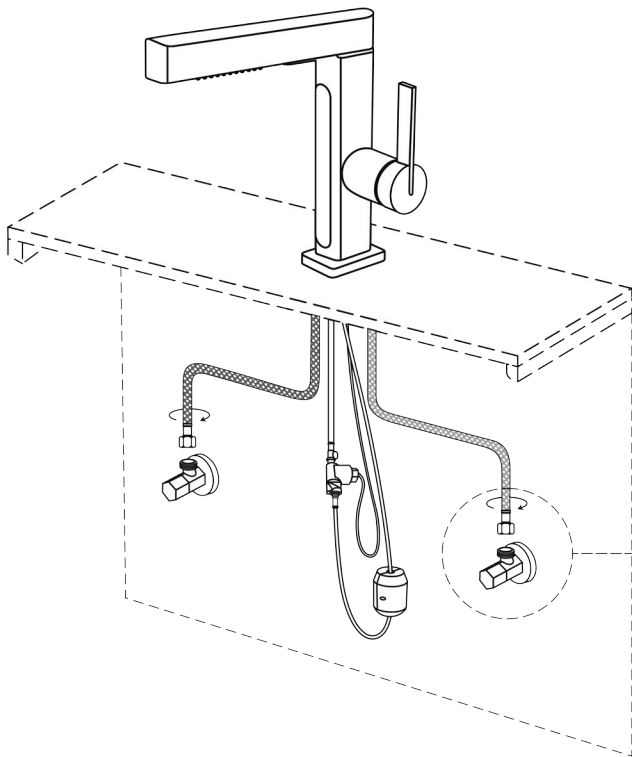
Step 4. Assembling the Gravity Hammer



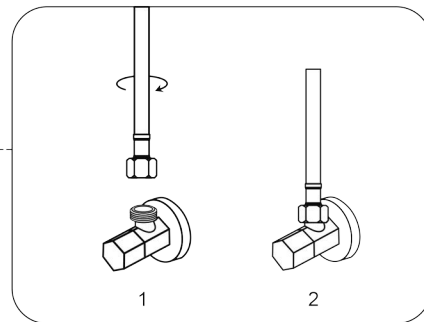
Assemble the gravity hammer to the pull cord as shown in the figure below. Its height is preferably one-third of the height of the end.



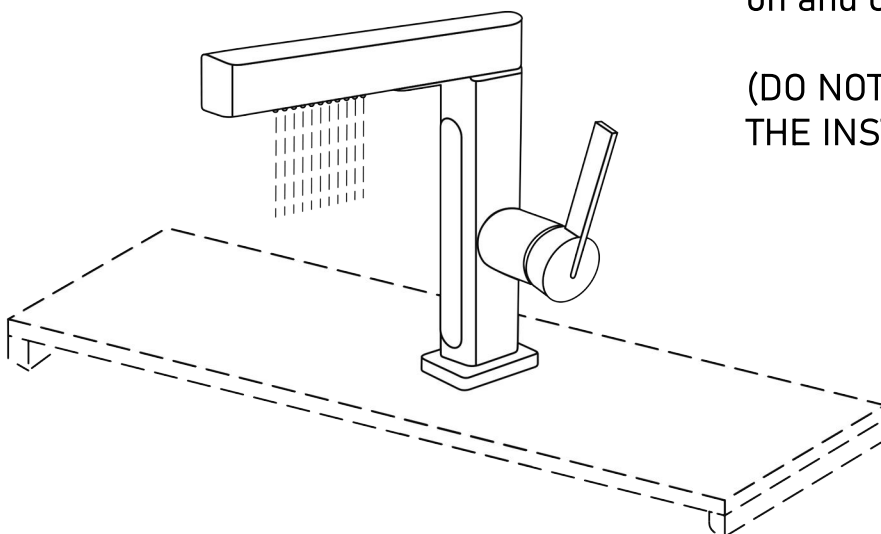
Step 5. Making the waterline connections



Connect the hot and cold water pipes to the water suppliers separately, please pay attention to distinguish the hot and cold water suppliers.



Step 6. Turn the faucet on and check for leaks



Turn on angle stops, turn the faucet on and check for leaks.

(DO NOT TURN FAUCET ON BEFORE THE INSTALLATION IS COMPLETE)