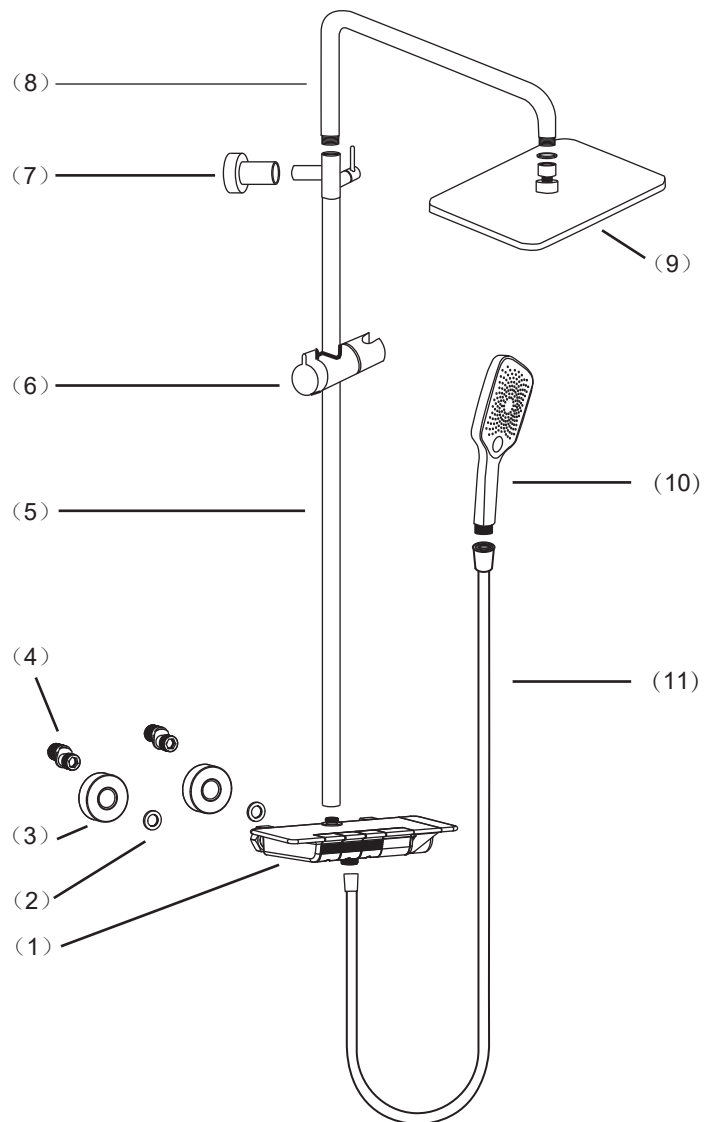


# INSTALLATION AND USER INSTRUCTION OF SHOWER

## A. Installation Instruction

spare parts list

- (1) mixer body
- (2) rubber washer
- (3) flange cover
- (4) fitting elbow
- (5) sliding pipe
- (6) hand shower holder
- (7) fixing pedestal
- (8) top shower bar
- (9) top shower
- (10) hand shower
- (11) shower hose

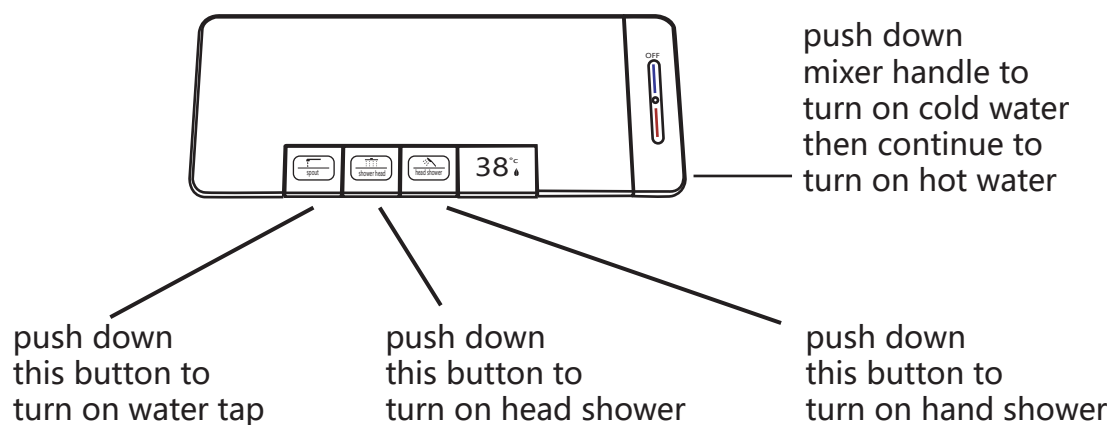


1. clean water supply pipes in wall to get rid of mud,sand or other debris blocked in pipes, wrap the fitting elbow (4) with sealing tape and fix the elbow into the water supply pipe, to adjust the elbows at proper distance and on the same level, then fix the flange cover (3) on the elbow (4).

2. put the rubber washer (2) into the hexagon nut on the mixer body and fix the hexagon nut onto the elbow (4) tightly.

3. measure the distance from the mixer body to the fixing pedestal (7), drill holes and fix the pedestal with screws.
4. connect the sliding pipe (5) onto the mixer body (1).
5. put the fixing rod of the sliding pipe (5) into the pedestal (8) and tighten it with screws.
6. connect the top shower (9) to the top shower bar (8)
7. connect the shower hose (11) to hand shower (10) and the water outlet hole under the mixer body (1).

## B. User Instruction



1. the handle in right side is the mixer handle to control hot and cold water (as above picture). Push down the mixer handle to turn on the cold water first, then continue to turn to get the hot water. When the mixer handle is on the same level with the mixer body, the water is turned off.
2. there are 3 diverter buttons on the mixer body (as above picture). The first button from left side is to control the water tap; The second one is to control the top shower. The third one is to control hand shower.
3. when you turn on the water, the temperature display will show the temperature of the water you are showering.