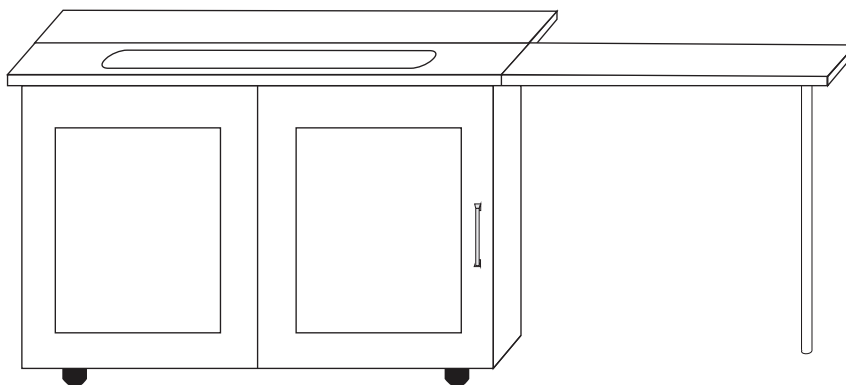




CREATE ROOM.

# oh happy day

**YOU'VE RECEIVED THE SEW STATION!**



It's already time for your first project! Should you need any assistance, our customer service team are the friendliest bunch and would be delighted to help you.



**CUSTOMERSERVICE@CREATEROOM.COM**



**WWW.CREATEROOM.COM**



**USA / CANADA: 801-226-2686 (M-F 9AM-5PM MST)**  
**UK/EU: +49 40 69632955 OR +44 7759 335868**

We are excited for you to enjoy your inspiring new workspace and can't wait to see pictures! Share your photos on Facebook and Instagram and don't forget to tag @createroomco.

Happy crafting!

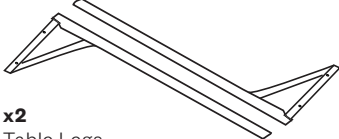
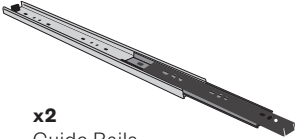

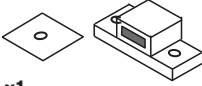
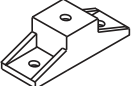
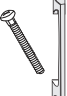

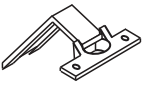
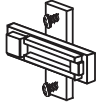


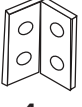

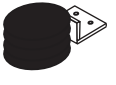




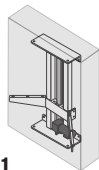


*Sew Station Assembly Instructions*

*(Proprietary patented product and instructions. Do not copy or distribute.)*

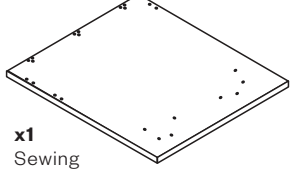
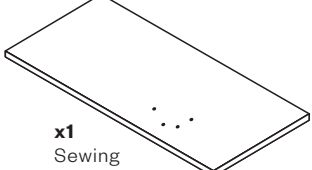
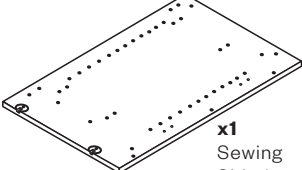
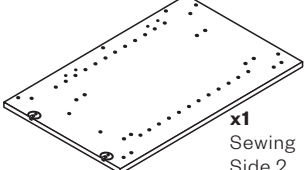
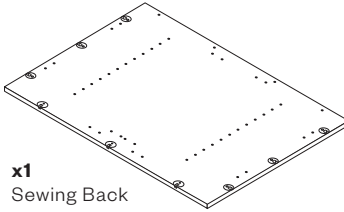
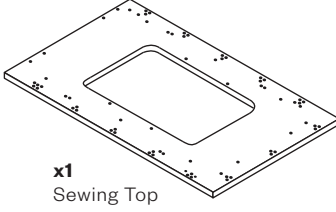
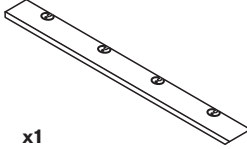
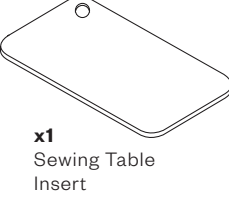
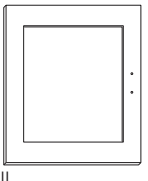
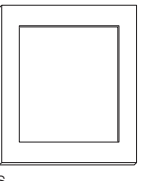
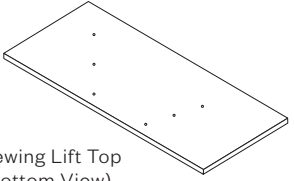
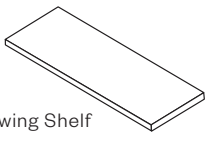
U0424

# sew station


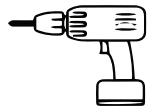

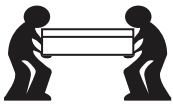
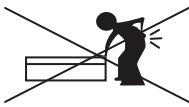
## HARDWARE YOU'LL NEED:

 <b>x2</b> Table Legs	 <b>x2</b> Guide Rails	 <b>x3</b> 1/2" Screws	 <b>x1</b> Magnet Door Catch	 <b>x4</b> 1" Guide Spacer
 <b>x1</b> Handle (screws included)	 <b>x4</b> Flat Head Screw	 <b>x2</b> 270° Door Hinge	 <b>x2</b> 270° Mounting Plate (screws included)	 <b>x90</b> Euro Screws (72 are for installing Standard Hinges)
			 <b>x12</b> Standard Hinges	 <b>x4</b> Angle Bracket
				 <b>x2</b> 8mm Hole Plugs
 <b>x1</b> Door Support Wheel	 <b>x19</b> Connecting Bolts	 <b>x4</b> Side U-Wheels	 <b>x4</b> U-Wheel Screw	 <b>x40</b> 5/8" Screws
			 <b>x1</b> Sewing Electric Lift Kit	For DreamBox 2 attachment:  <b>x2</b> Locking Cams
				 <b>x2</b> Locking Posts

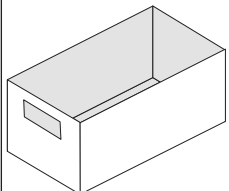
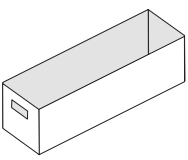
## PIECES YOU'LL NEED:

 <b>x1</b> Sewing Side Table	 <b>x1</b> Sewing Back Table	 <b>x1</b> Sewing Side 1	 <b>x1</b> Sewing Side 2
 <b>x1</b> Sewing Back	 <b>x1</b> Sewing Top	 <b>x1</b> Sewing Base	 <b>x1</b> Sewing Table Insert
 <b>x1</b> Door with Pull	 <b>x1</b> Door with 270° hinges	 <b>x1</b> Sewing Lift Top (Bottom View)	 <b>x3</b> Sewing Shelf

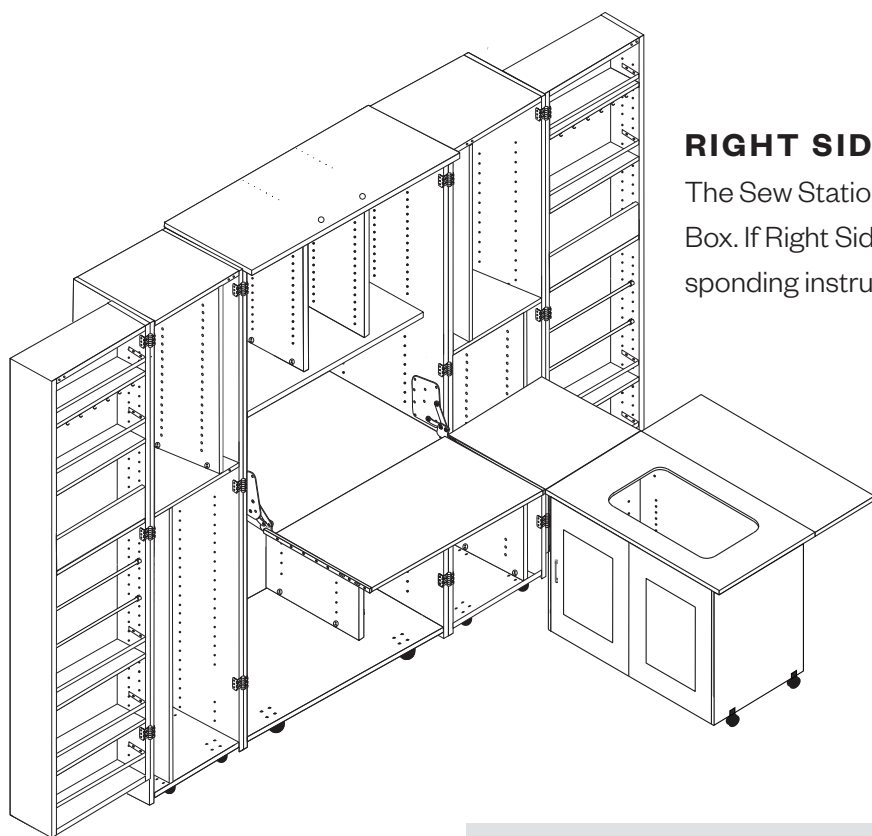
## TOOLS YOU'LL NEED (NOT INCLUDED):

 Phillips Screwdriver	 Electric Screwdriver	 (2) 1/2 inch wrenches	 A Friend	 Our furniture is designed to be built with two people. Please do not try to build alone.
---	---	--	---	---

## TOTES:

 <b>x2</b> Medium Totes	 <b>x2</b> Small Totes
--	---

# CHOOSE YOUR DREAMBOX ATTACHMENT:



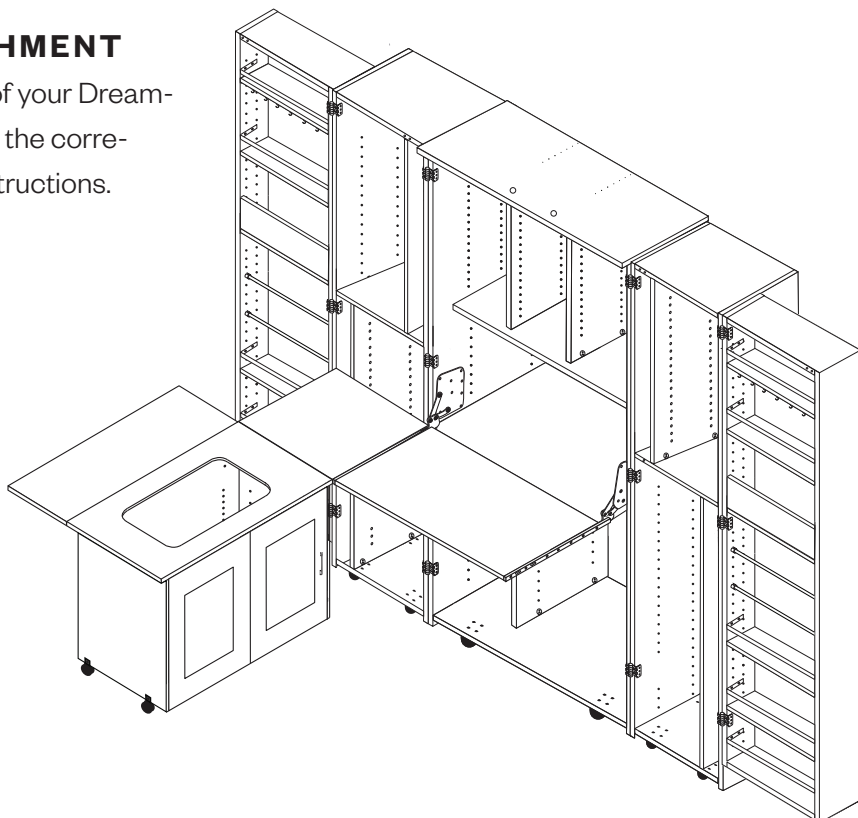
## RIGHT SIDE DREAMBOX ATTACHMENT

The Sew Station will connect to the right side of your Dream-Box. If Right Side Attachment is chosen, follow the corresponding instructions to come later in the instructions.

Decide whether you want the right or left side attachment and follow the corresponding instructions throughout.

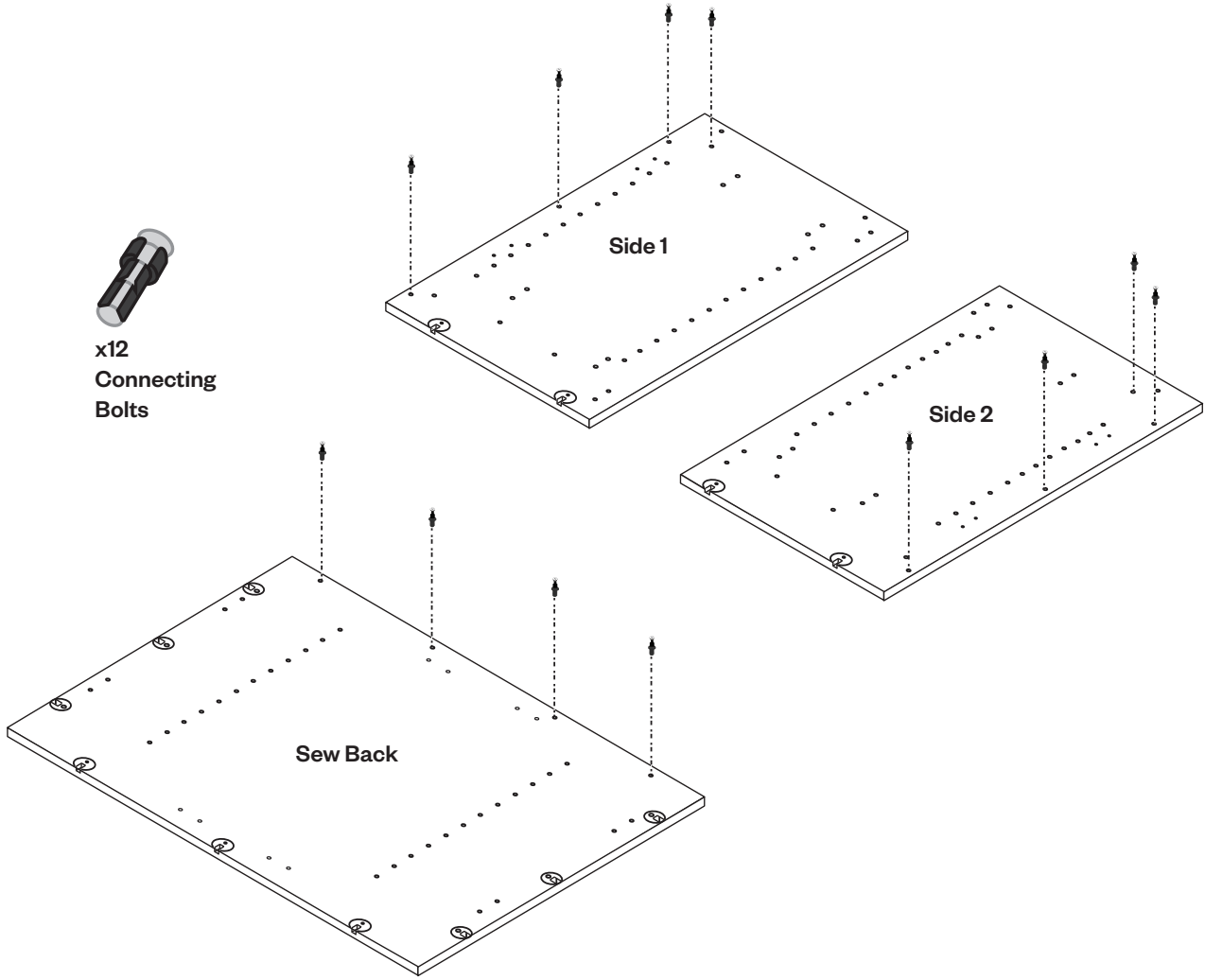
## LEFT SIDE DREAMBOX ATTACHMENT

The Sew Station will connect to the left side of your Dream-Box. If Left Side Attachment is chosen, follow the corresponding instructions to come later in the instructions.



1

Insert 12 connecting bolts in the corresponding holes.

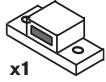


## RIGHT SIDE DREAMBOX ATTACHMENT

(turn Top so that side table hinge holes are on the right)



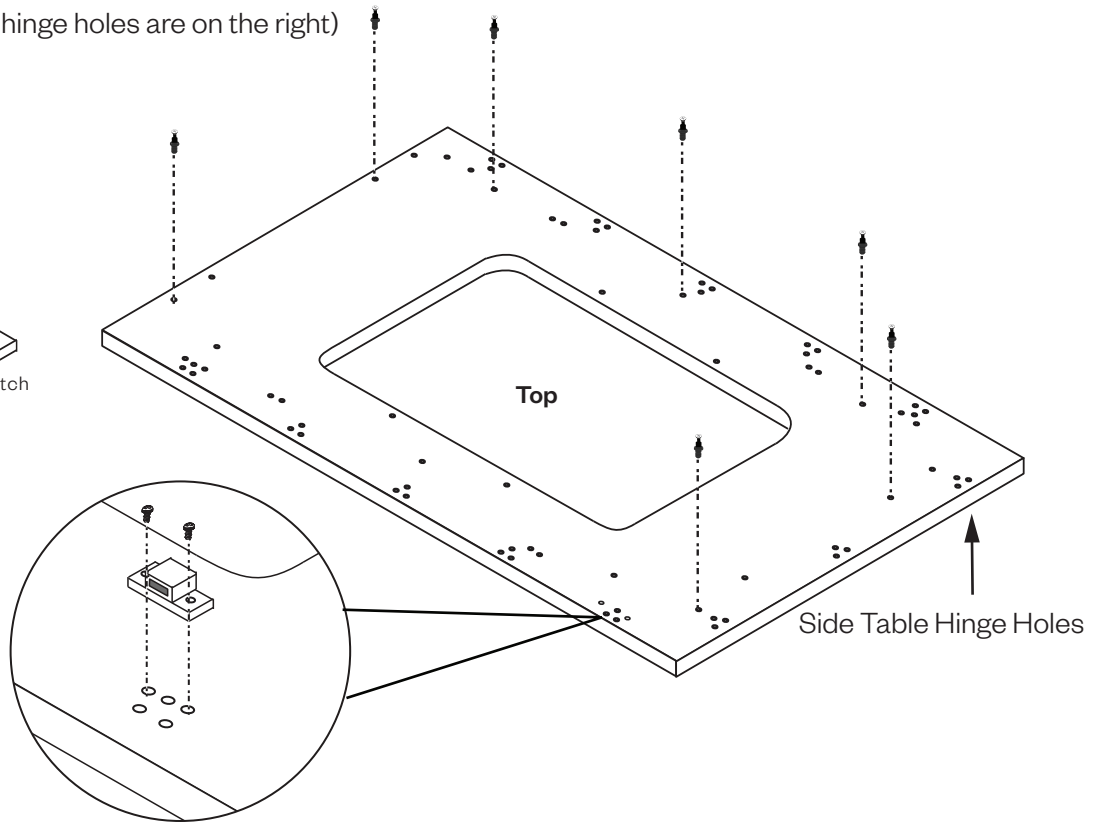
x7  
Connecting  
Bolts



x1  
Door Catch



x2  
1/2" Screws

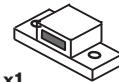


2

Insert connecting bolts depending on corresponding attachment. Install door catch.

## LEFT SIDE DREAMBOX ATTACHMENT

(turn Top so that side table hinge holes are on the left)



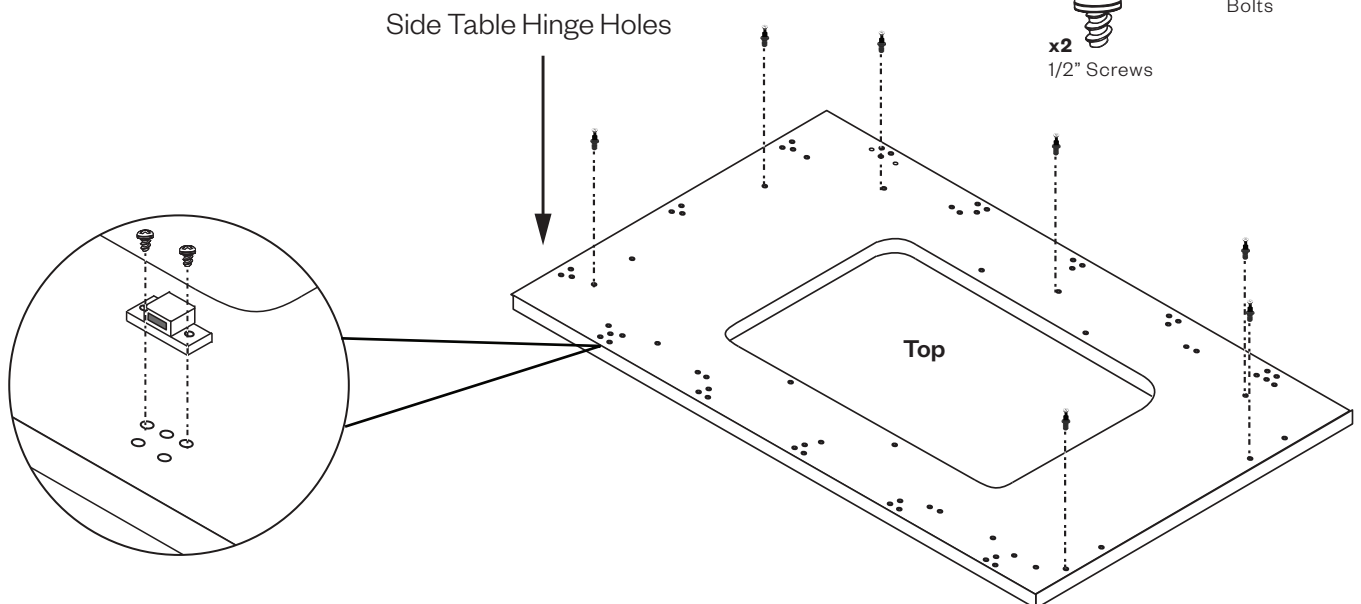
x1  
Door Catch



x7  
Connecting  
Bolts

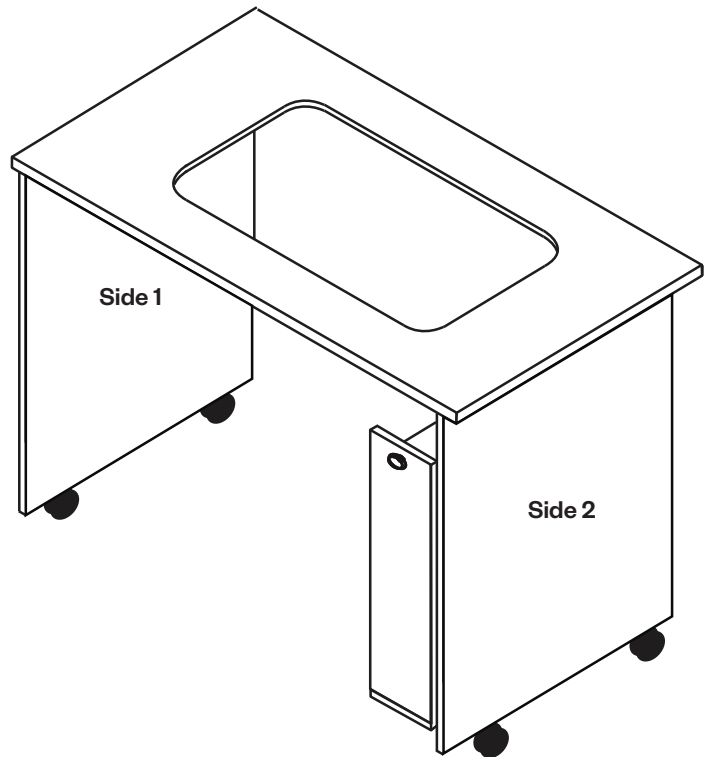


x2  
1/2" Screws



## SPOOL DRAWER - RIGHT SIDE

Spool Drawer placement does NOT alter the DreamBox attachment location. This is a personal preference on where to place the Spool Drawer within the Sew Station.

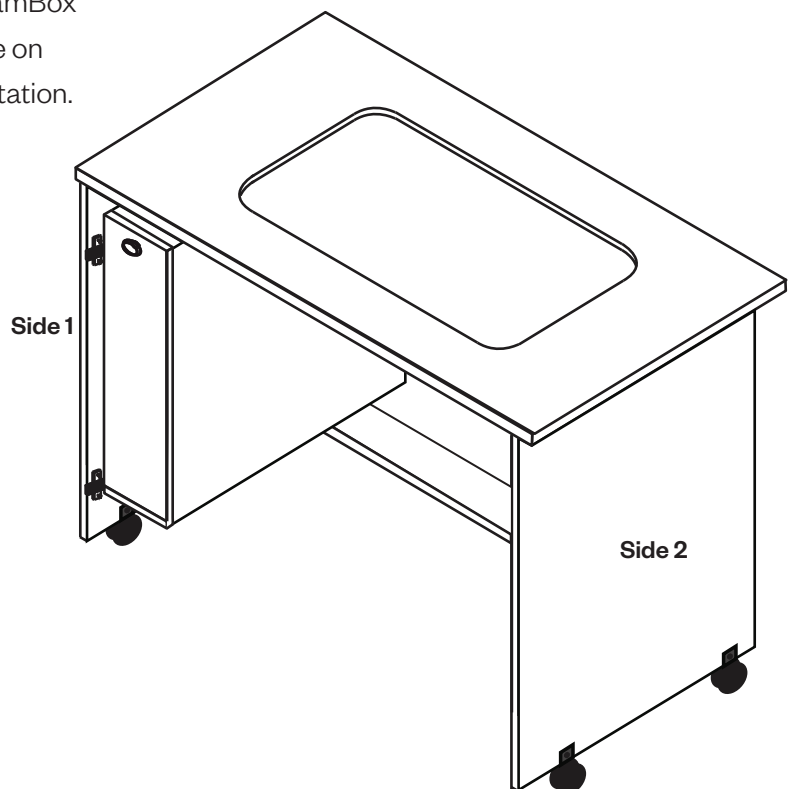


**Choose the preferred location of your spool Drawer**

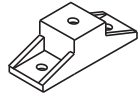
**Note:** If your sewing machine requires a knee lift, we recommend putting the spool drawer on the opposite side of your knee lift.

## SPOOL DRAWER - LEFT SIDE

Spool Drawer placement does NOT alter the DreamBox attachment location. This is a personal preference on where to place the Spool Drawer within the Sew Station.



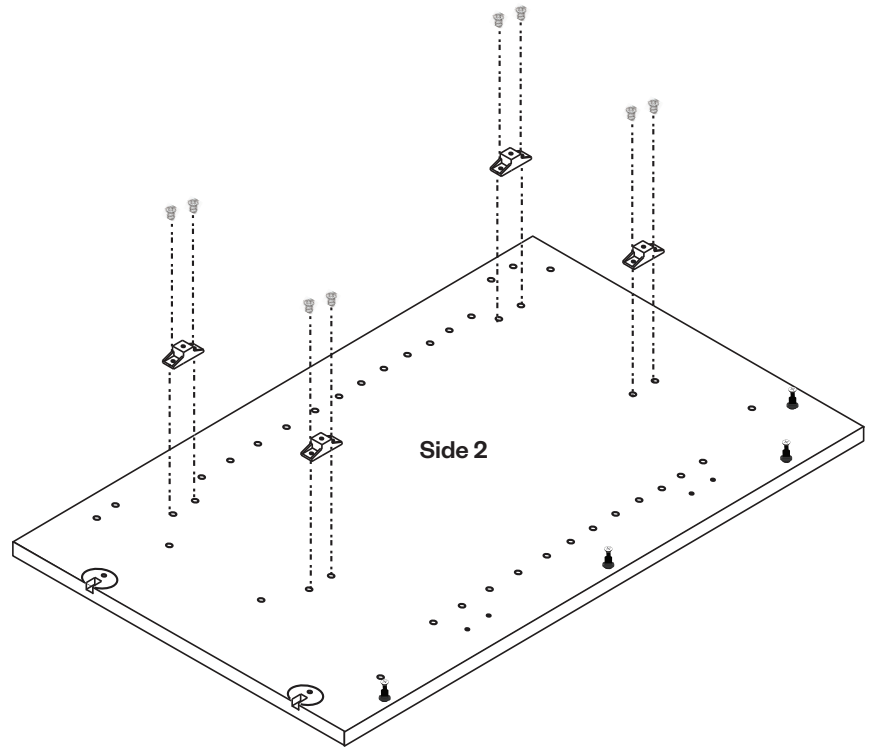
## SPOOL DRAWER - RIGHT SIDE



**x4**  
Guide Spacers



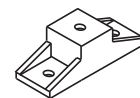
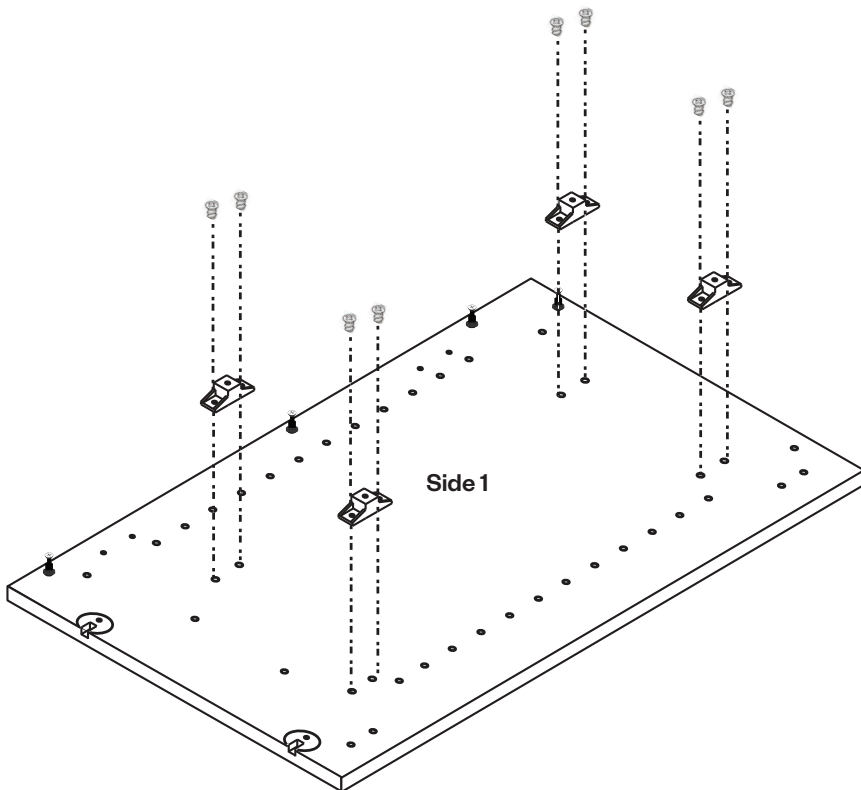
**x8**  
Euro Screws



**3**

Place Guide Spacers in corresponding holes.

## SPOOL DRAWER - LEFT SIDE

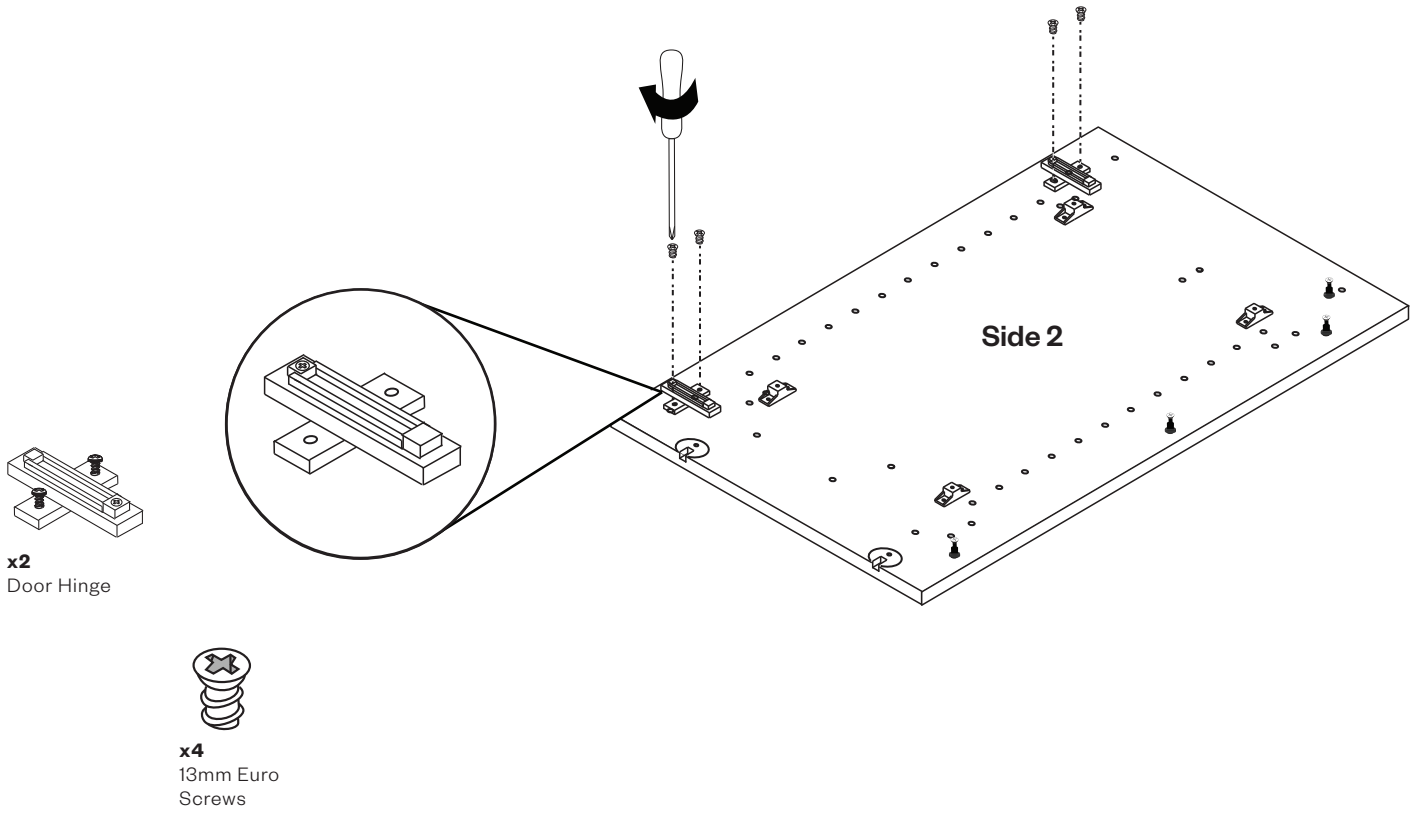


**x4**  
1" Guide Spacer



**x8**  
Euro Screws

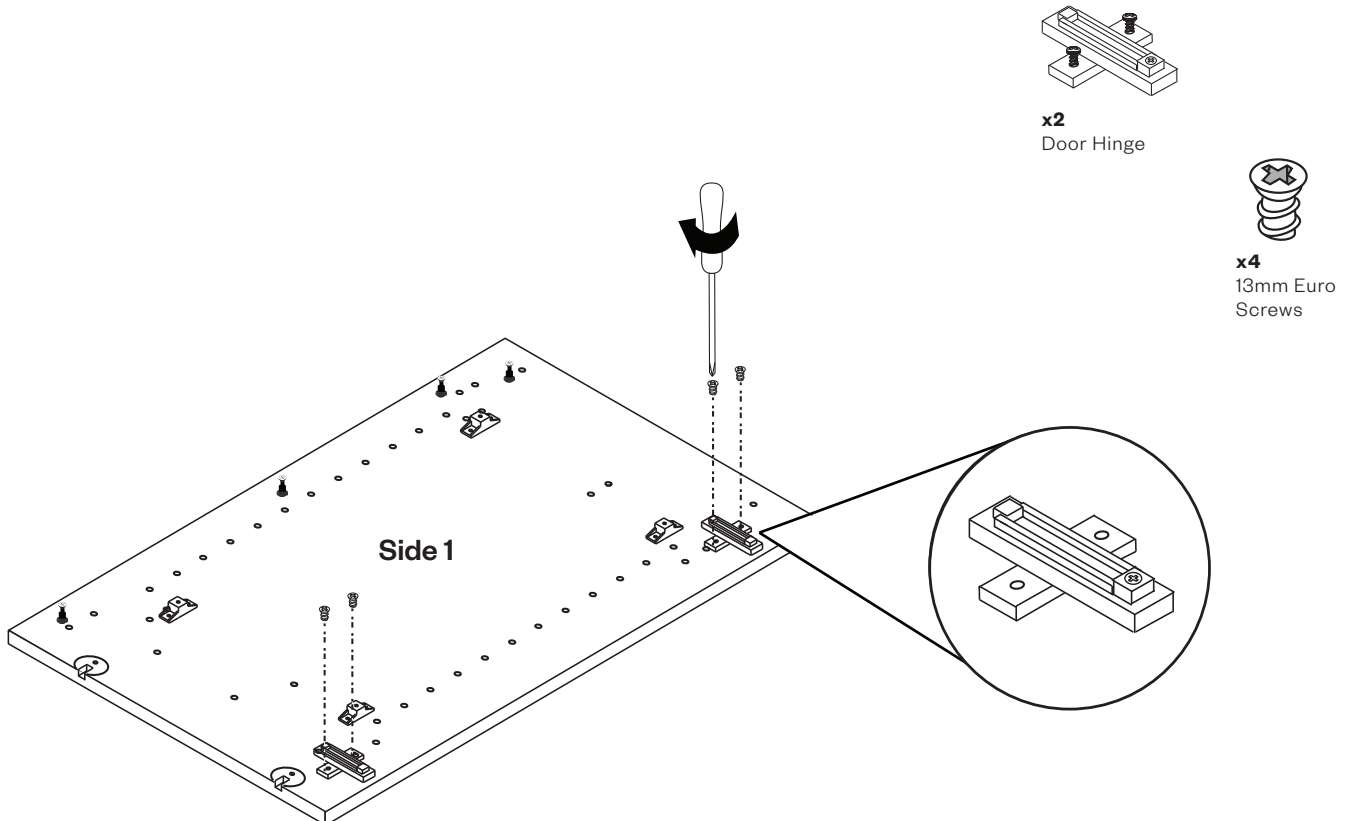
## RIGHT SIDE DREAMBOX ATTACHMENT



**4**

Place 270° Door Hinge in corresponding holes depending on attachment choice.  
**Note:** Depending on attachment choice, graphics may not resemble build.

## LEFT SIDE DREAMBOX ATTACHMENT

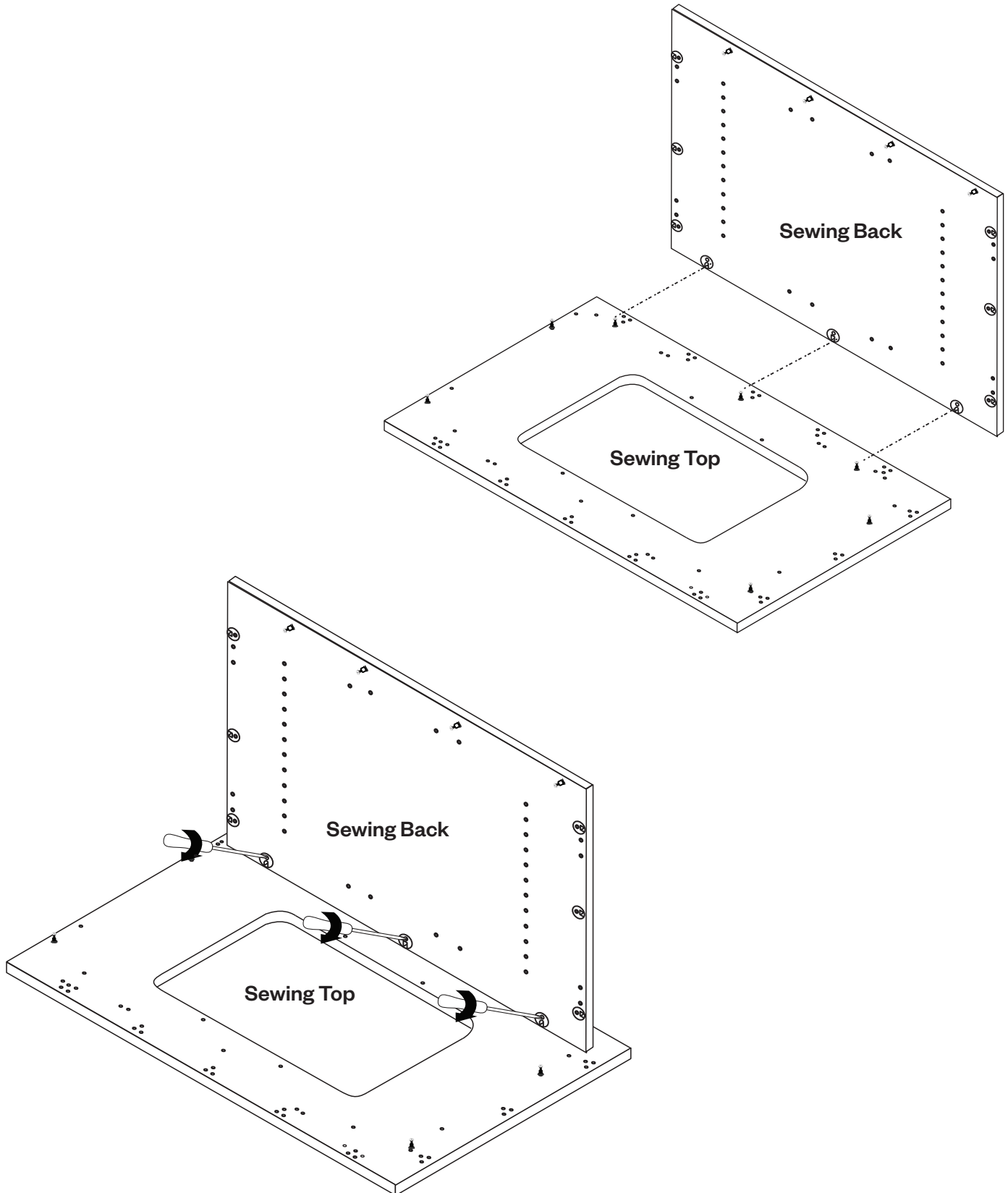




5

Install **Sewing Back**, tighten cams.

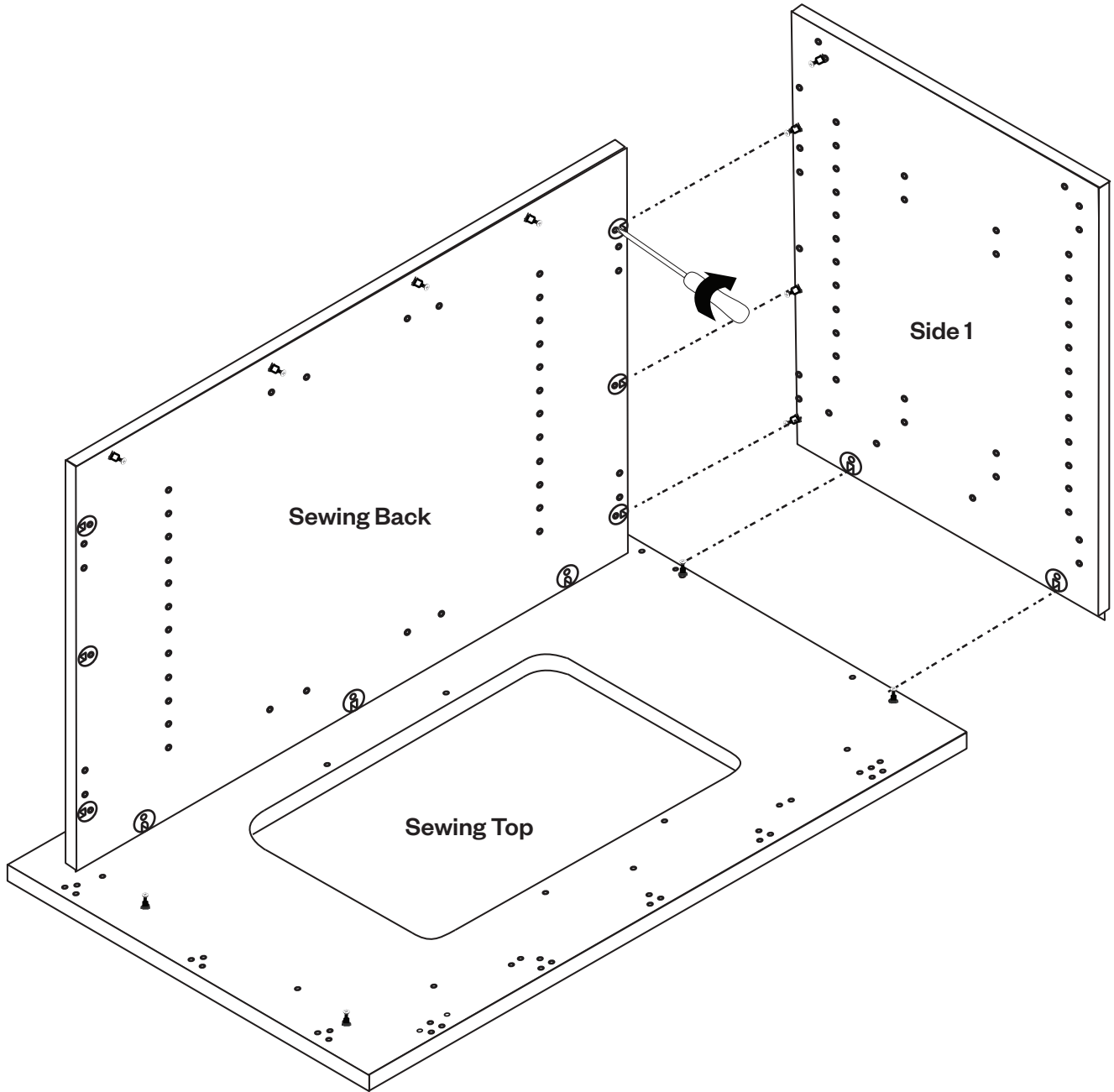
**Note:** Use phillips head screwdriver at a slight angle to tighten built in cams.



# 6

Attach **Sewing Side 1**, tighten cams.

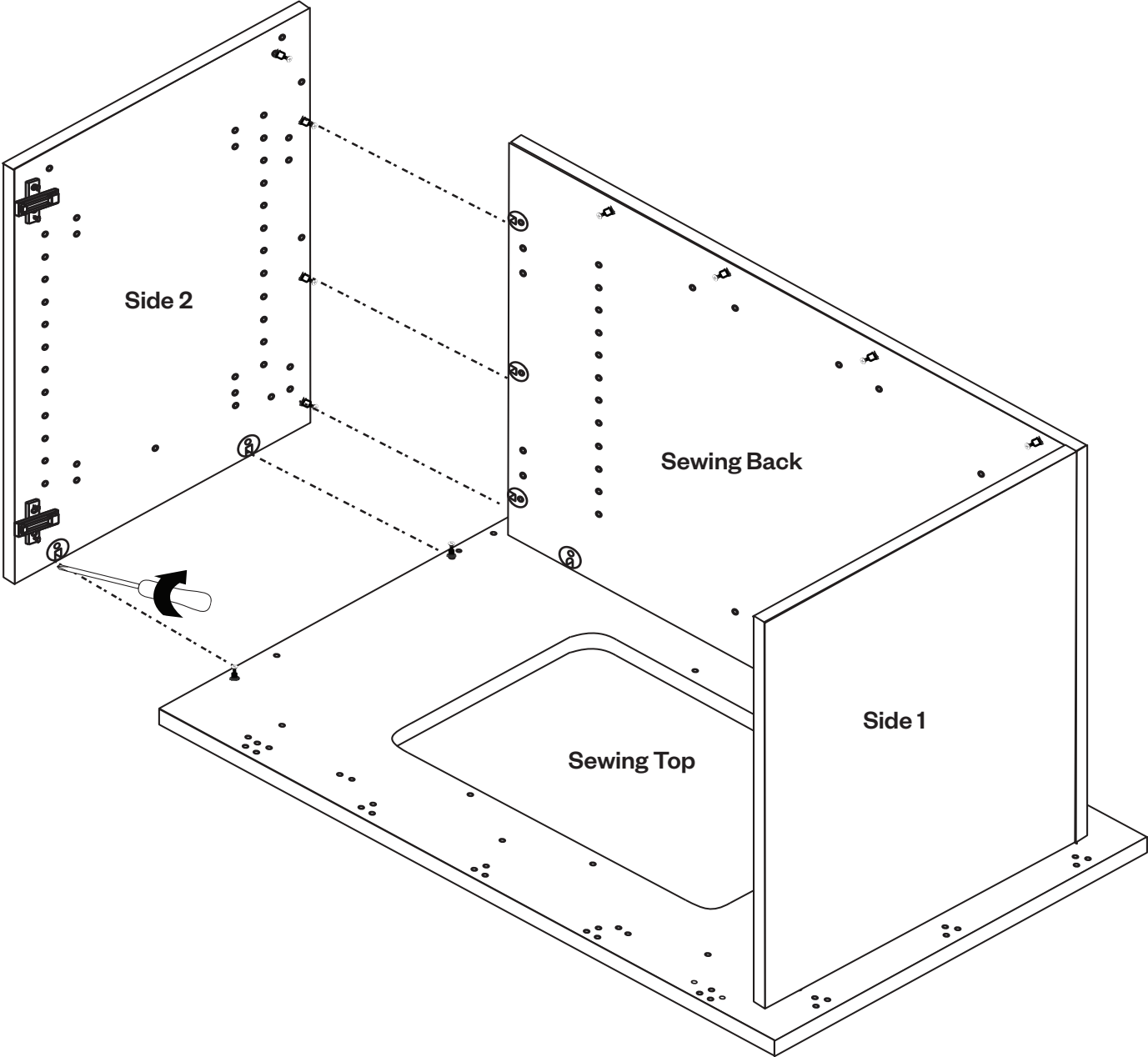
**Note:** Depending on what configurations you've chosen, graphics may not resemble your build.



# 7

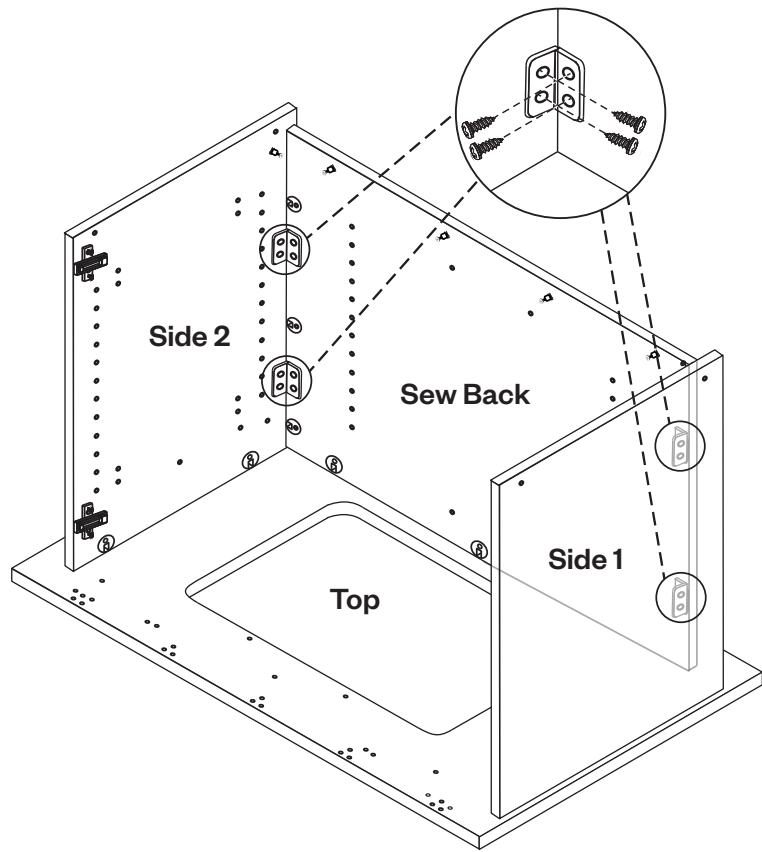
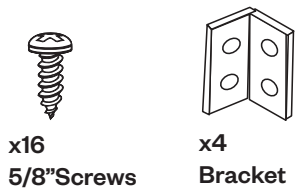
Attach **Sewing Side 2**, tighten cams.

**Note:** Depending on what configurations you've chosen, graphics may not resemble your build.



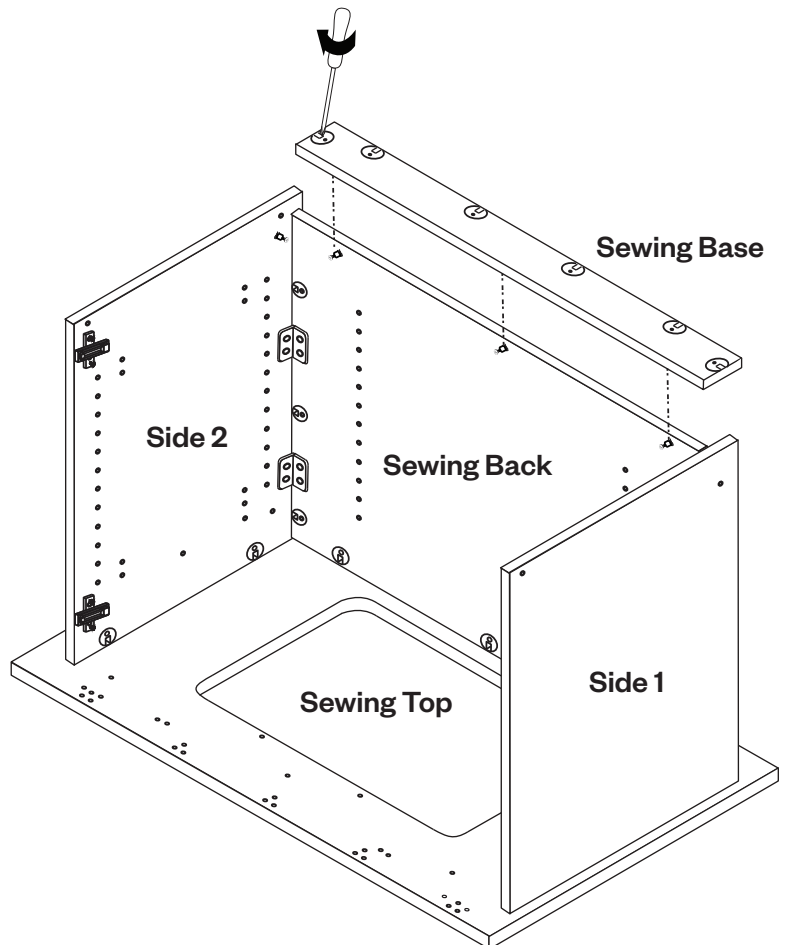
# 8

Install (4) Angle Brackets.

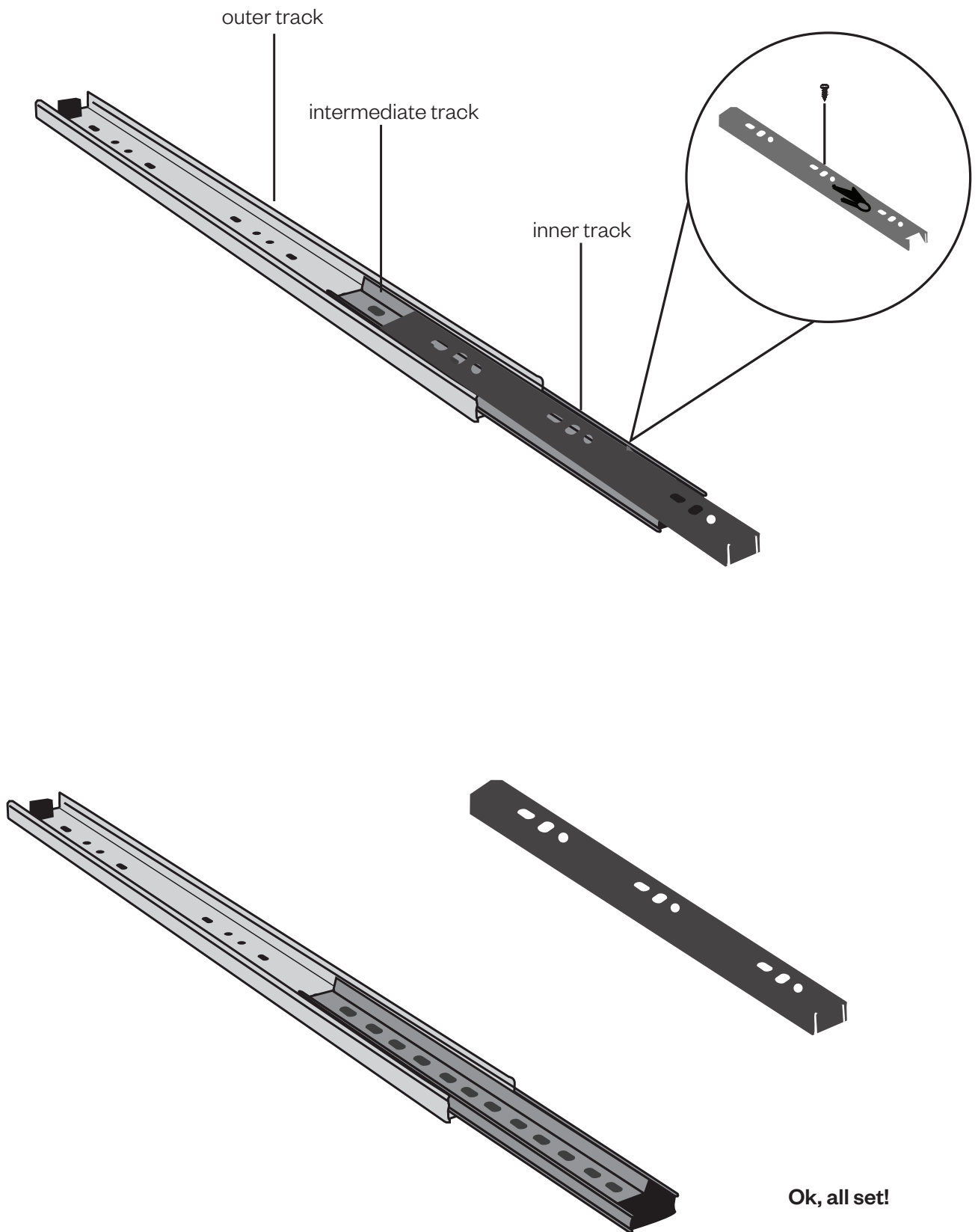


# 9

Install **Sewing Base**, tighten cams.

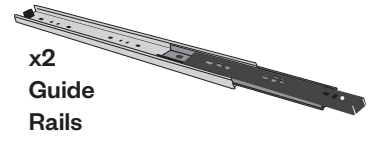
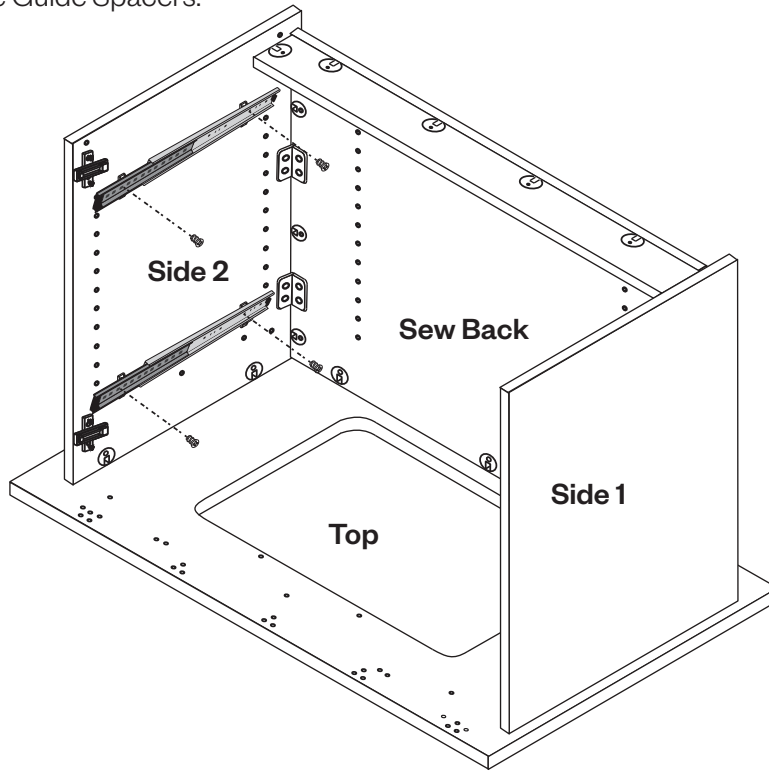


Remove inner track of **Guide Rails** by pressing black lever and sliding inner track free.



## SPOOL DRAWER - RIGHT SIDE

Attach Guide Rails to the Guide Spacers.

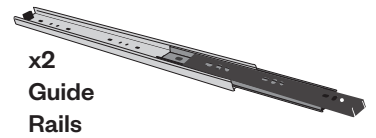
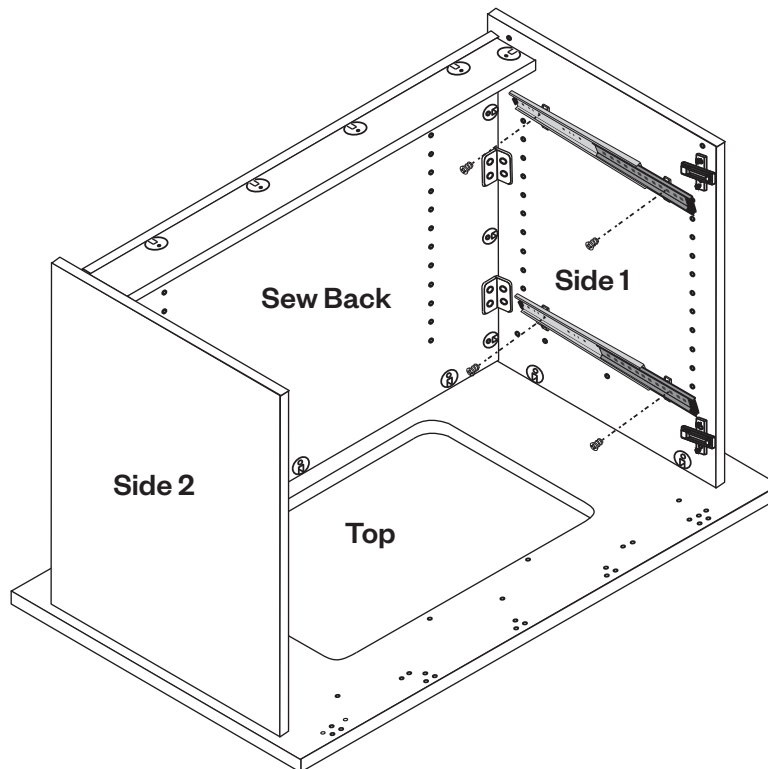


10

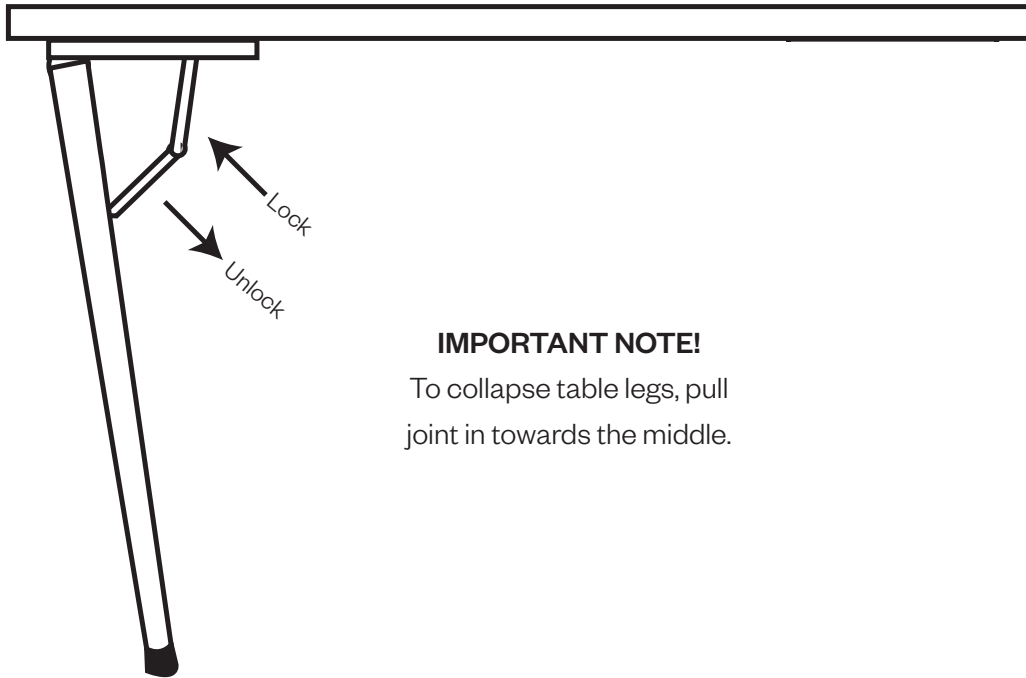
Install Guide Rails. Follow desired  
spool holder location graphic.

## SPOOL DRAWER - LEFT SIDE

Attach Guide Rails to the Guide Spacers.



**TABLE OPERATION:**



**IMPORTANT NOTE!**

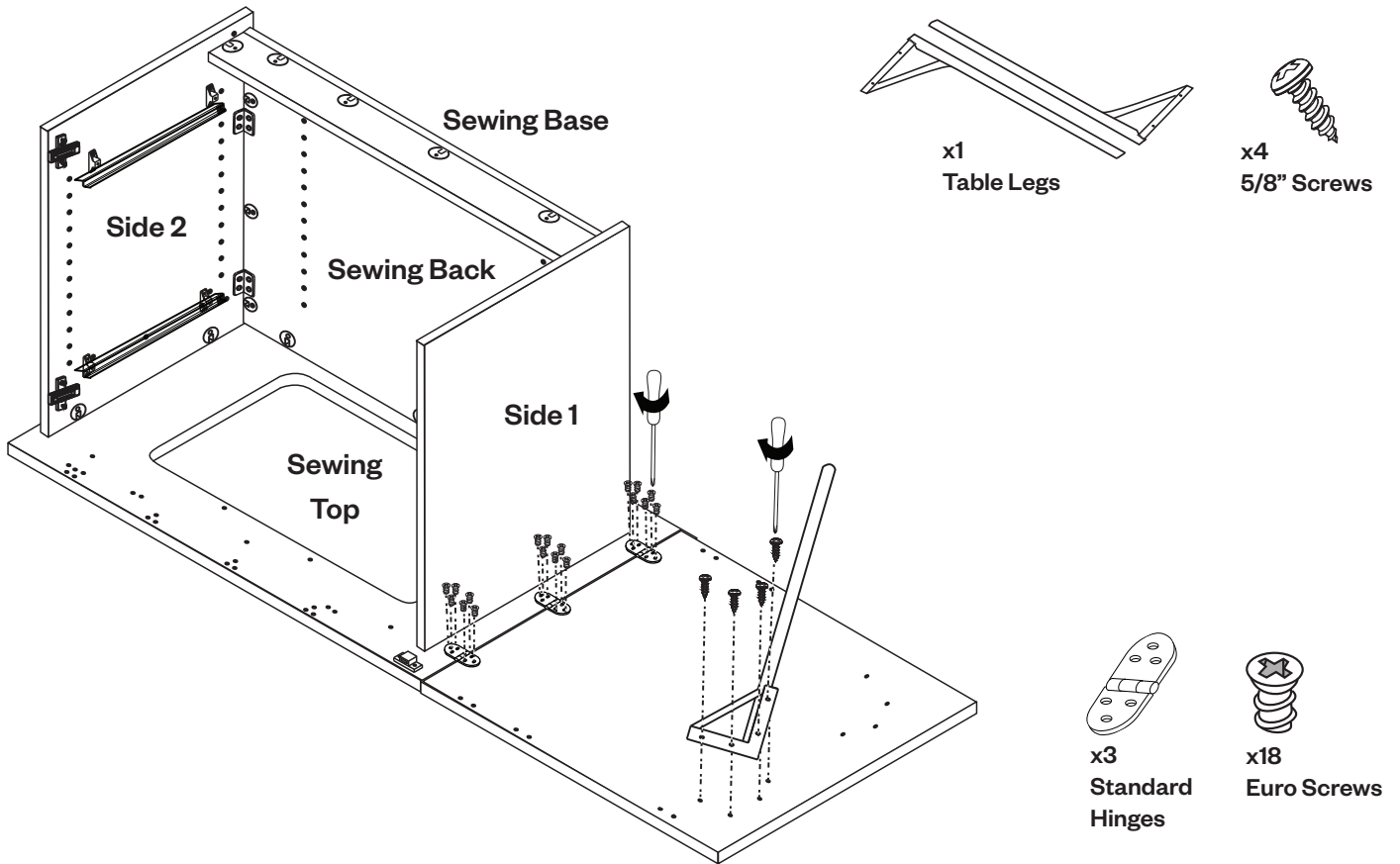
To collapse table legs, pull joint in towards the middle.



**IMPORTANT NOTE!**

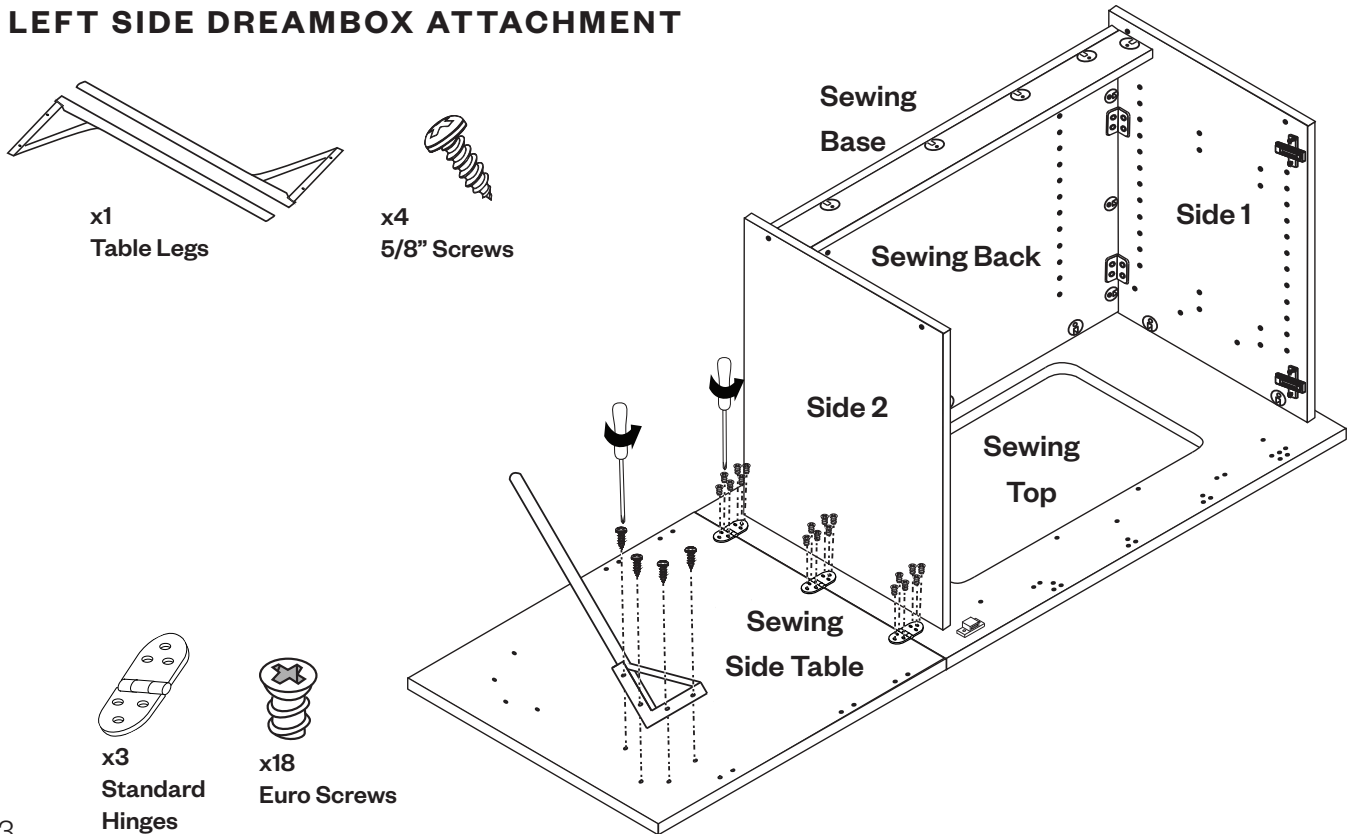
When Table Leg is collapsed, the hinge can extend out about 30 degrees to lock Leg against the Table. Push Hinge towards the table to unlock and to extend the table leg.

## RIGHT SIDE DREAMBOX ATTACHMENT



**11** Attach **Sewing Side Table** to your desired build using **standard hinges** and **euro screws**. Install **table leg** with included screws.

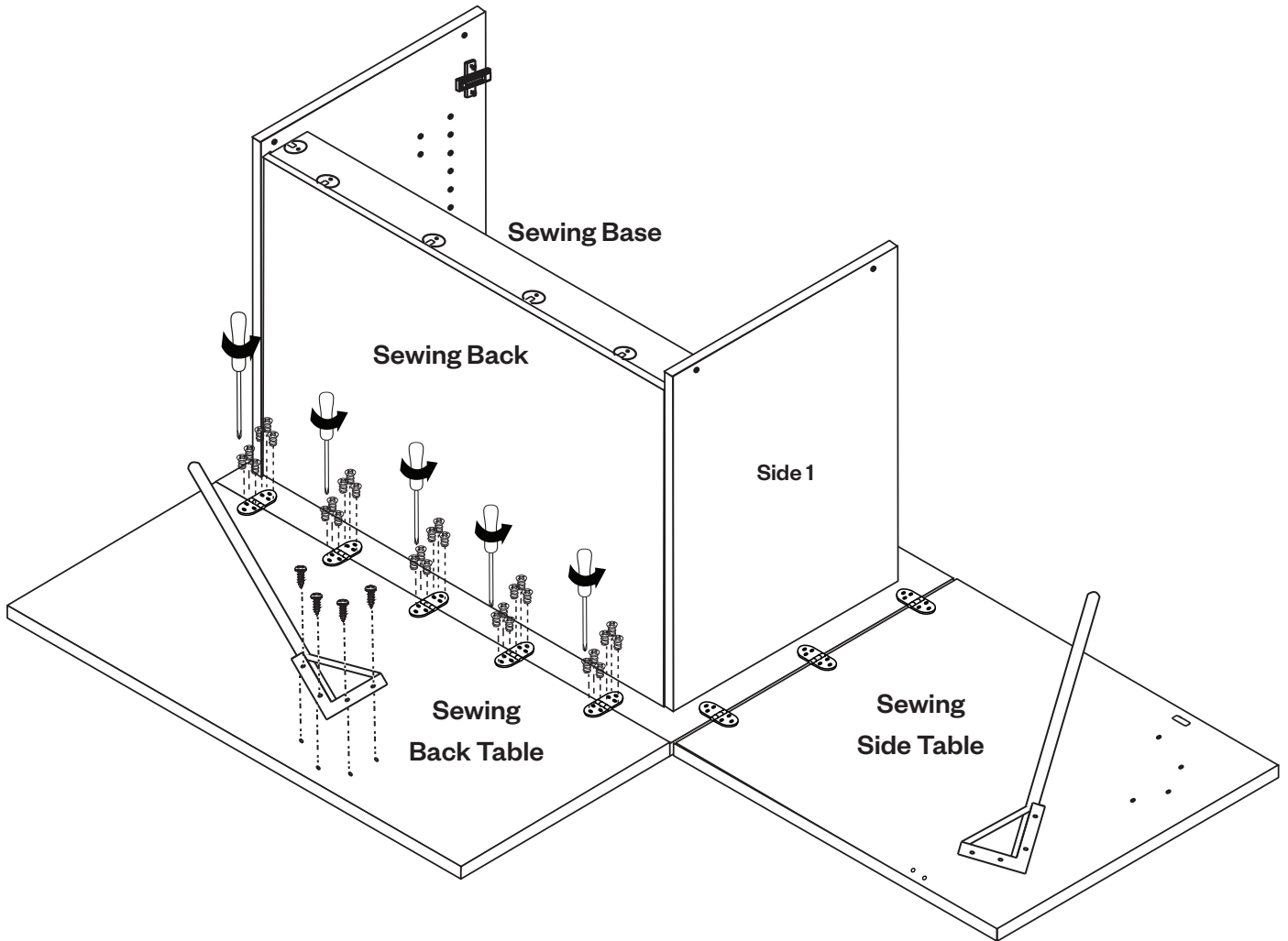
## LEFT SIDE DREAMBOX ATTACHMENT





# 12

Attach **Sewing Back Table**, **Table Leg**, and **Standard Hinges** using predrilled holes to guide you.



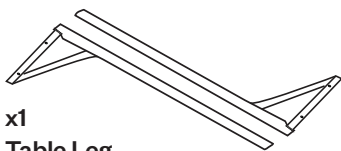
x5  
Standard  
Hinges



x30  
Euro Screws



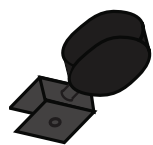
x4  
5/8" Screws



x1  
Table Leg

# 13

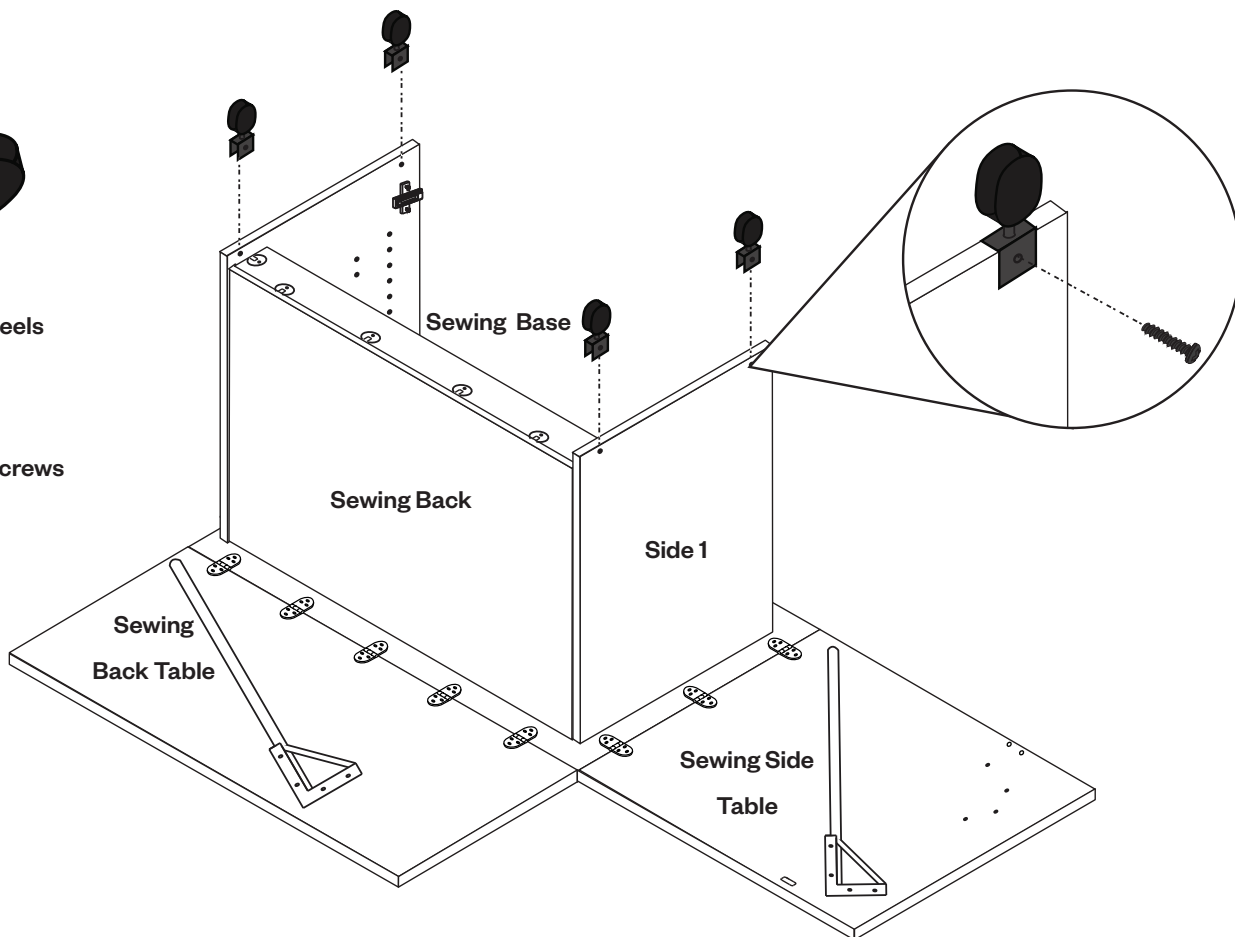
Install **Side U-Wheels** with larger hole facing out. Tighten.



x4  
Side U-Wheels

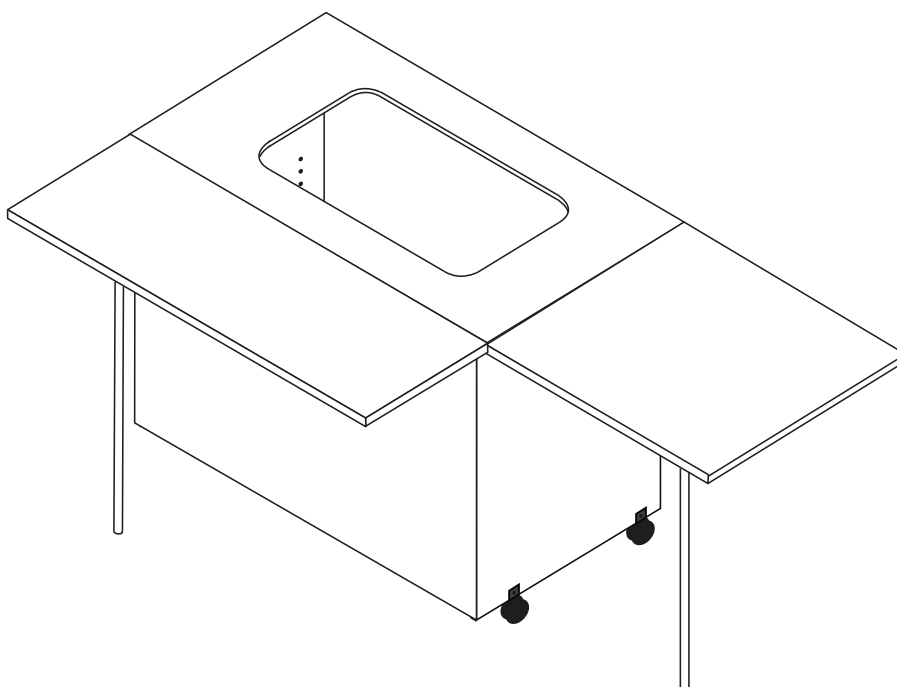
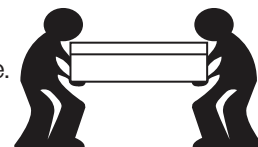


x4  
U-Wheel Screws



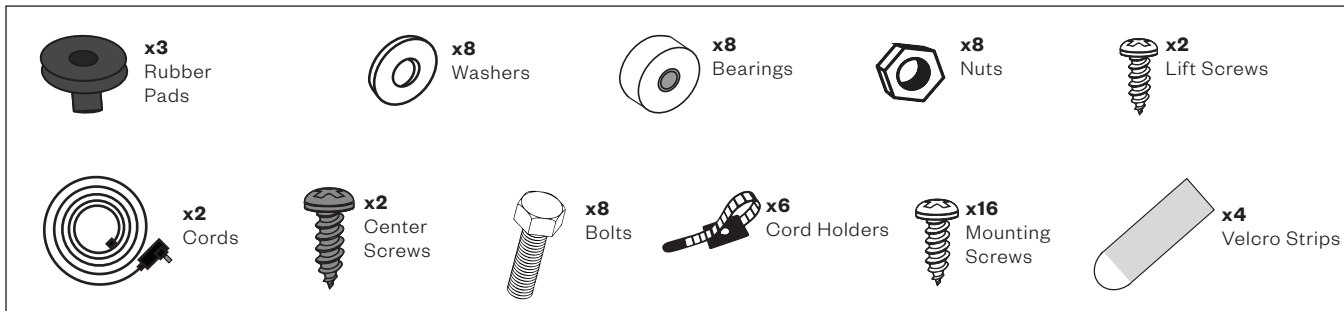
**Caution:** Sew Station is heavy. Grab a friend.

Carefully flip Sew Station onto all 4 Side U-Wheels. Extend both table legs to prevent damage.



# machine electric lift

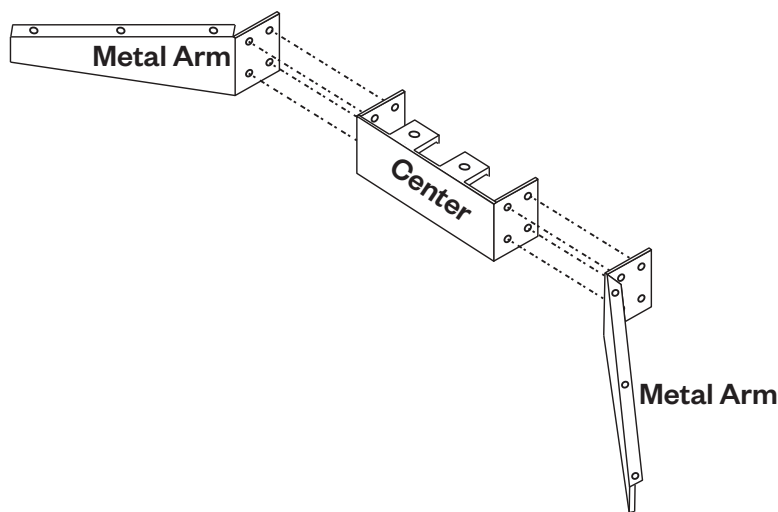
## HARDWARE YOU'LL NEED:



## TIME TO ASSEMBLE!

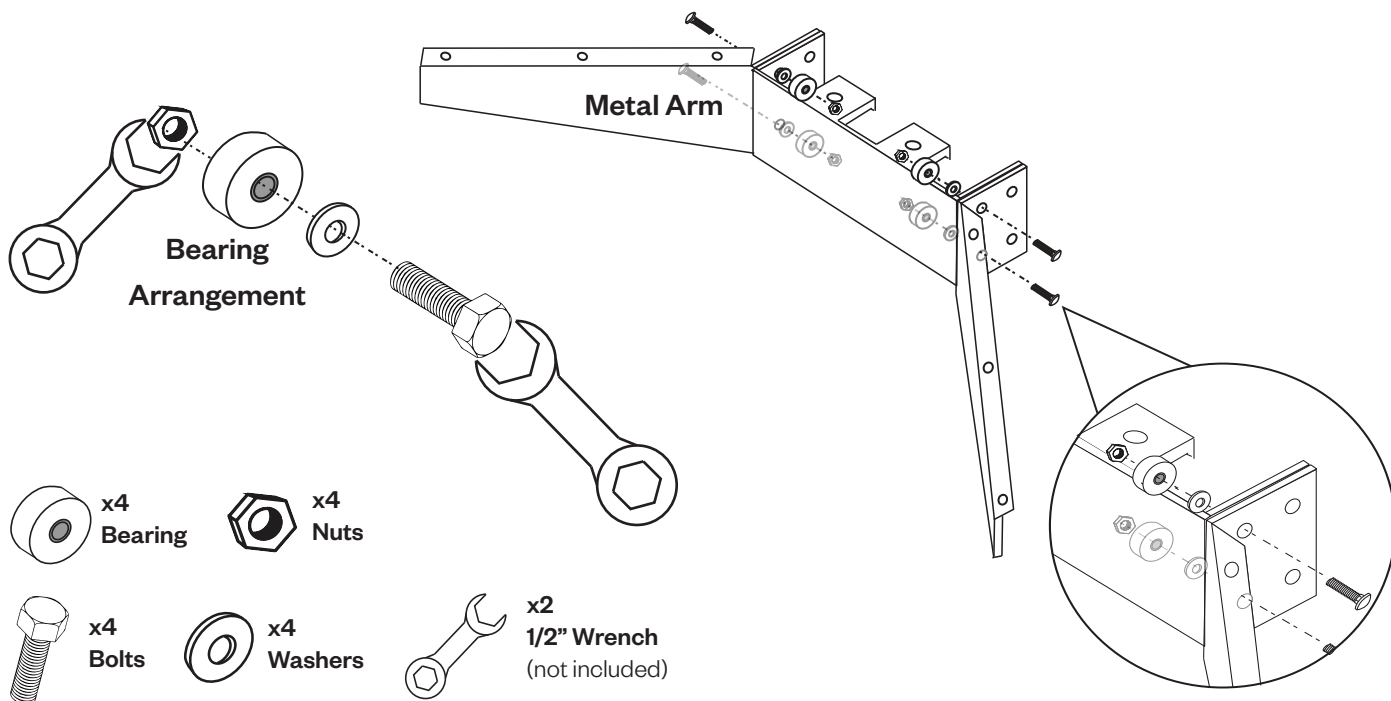
1

Line up metal arms with metal center.



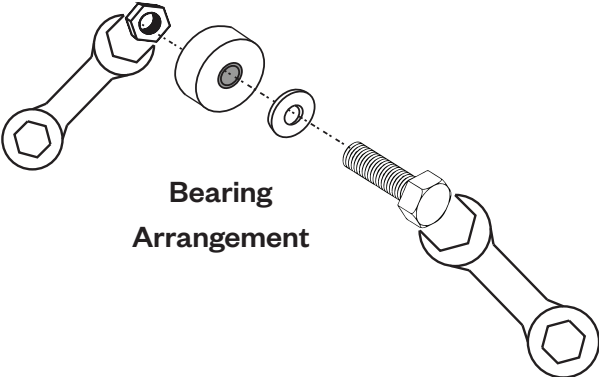
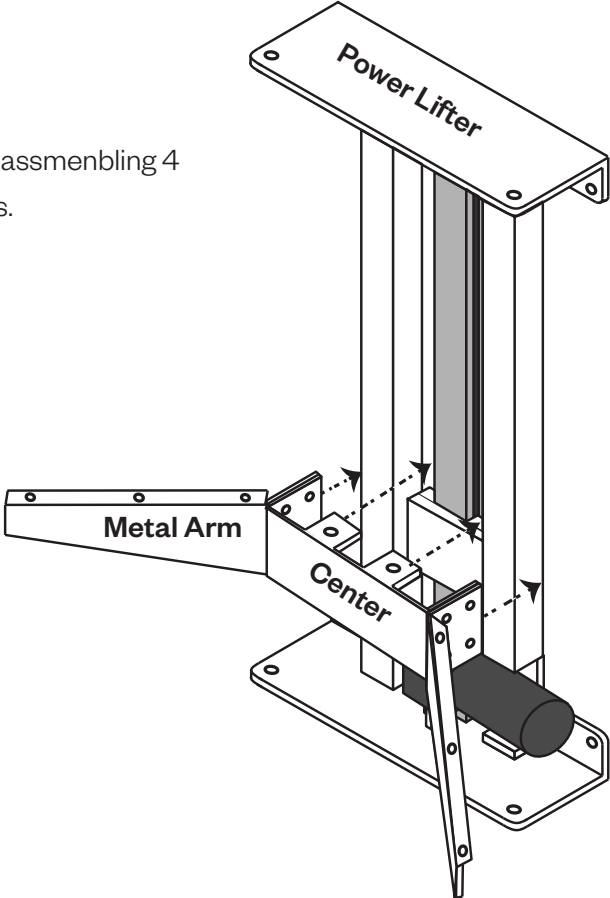
2

Install 4 of the following bearing arrangements through the metal arm to the center.  
Do **NOT** over tighten. Bearing need to spin freely to ensure the longevity of the motor.

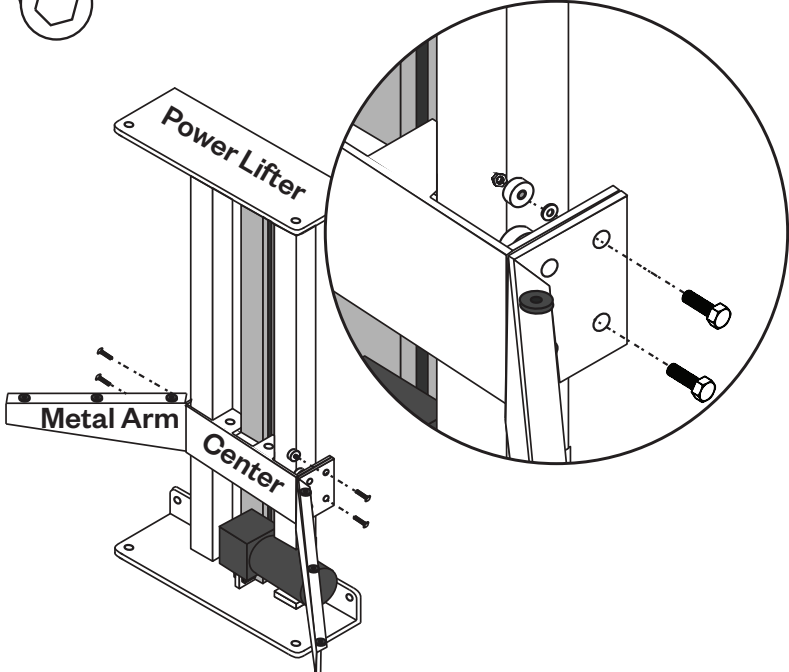


# 3

Attach metal arm center to the power lifter by assembling 4 bearing arrangements to the 4 remaining holes.



**Bearing Arrangement**



x2  
1/2" Wrench  
(not included)

x4  
Washers

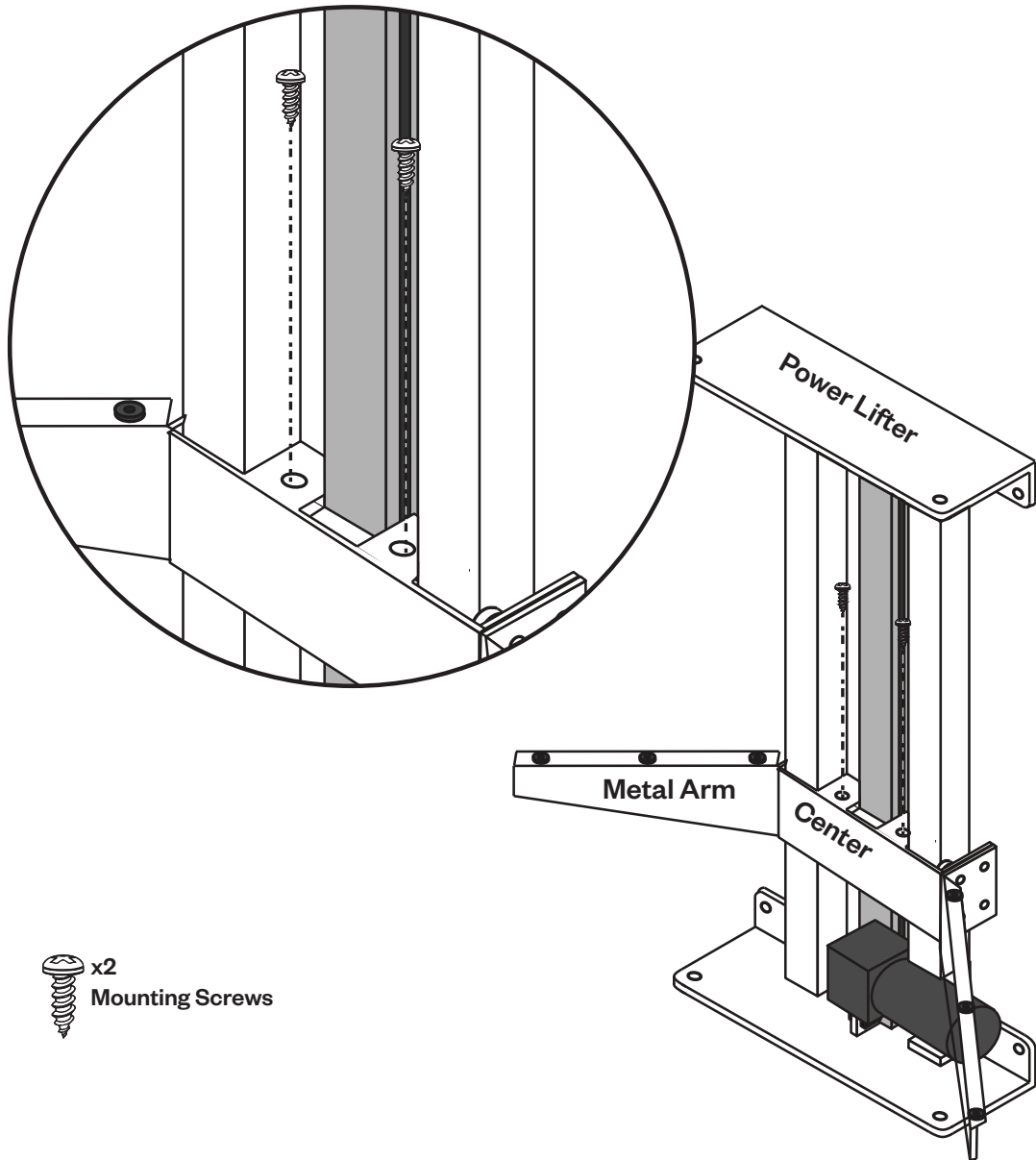
x4  
Nuts

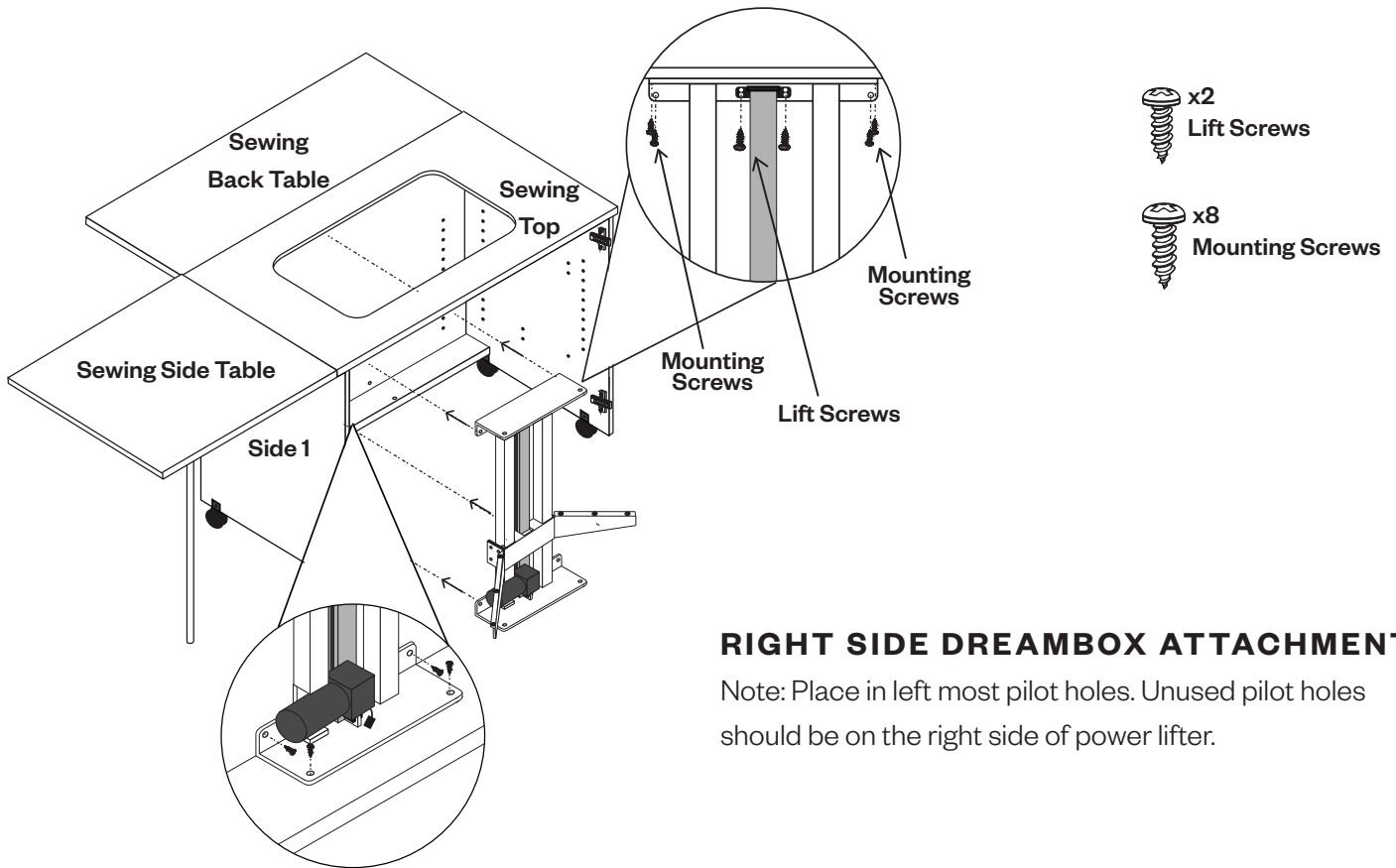
x4  
Bolts

x4  
Bearing  
Wheels

# 4

Mount metal arm center to the power lifter. Use pilot holes to guide you.

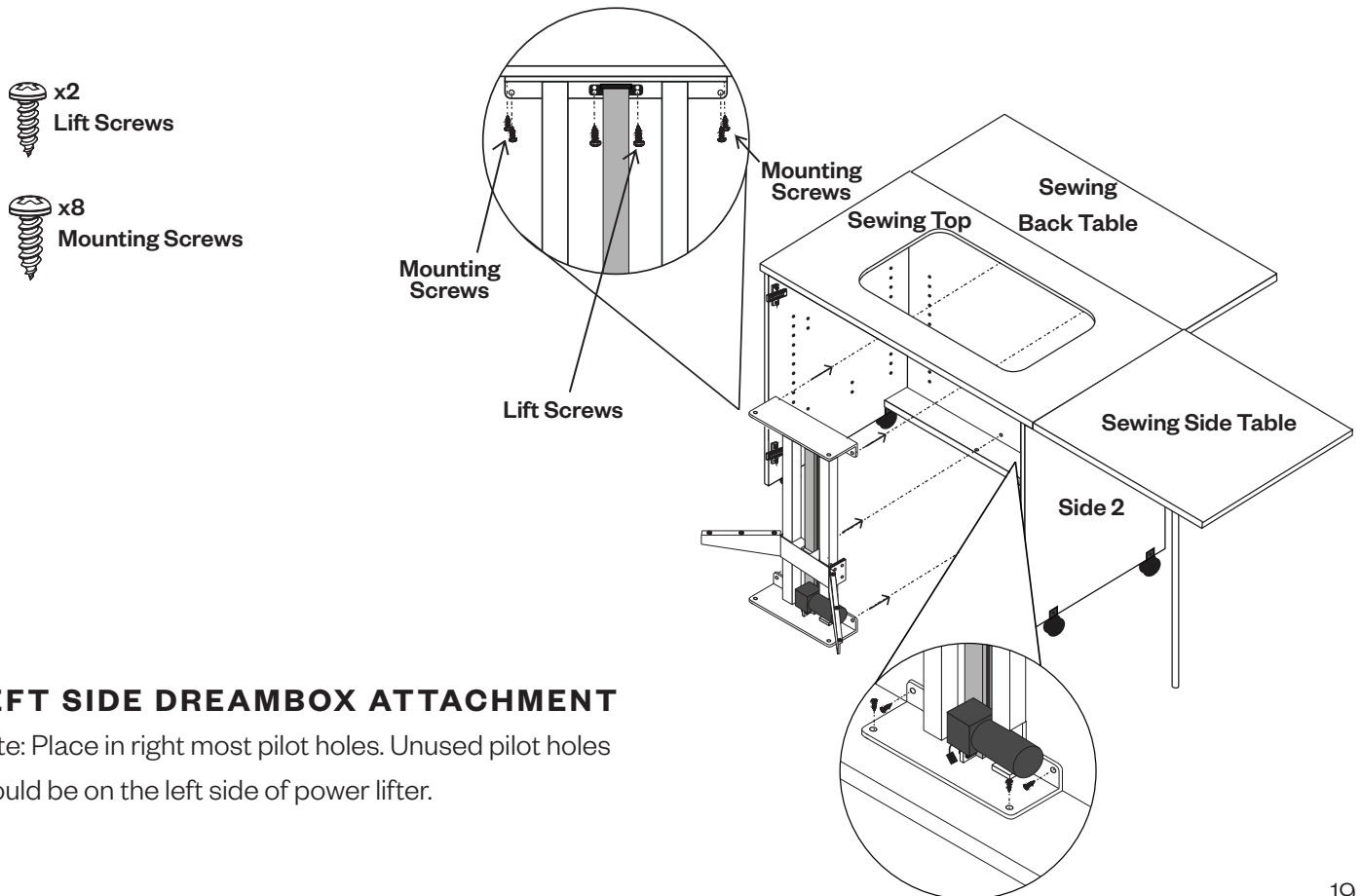




### RIGHT SIDE DREAMBOX ATTACHMENT

Note: Place in left most pilot holes. Unused pilot holes should be on the right side of power lifter.

## 14 Install power lifter. Be careful to not over tighten.



### LEFT SIDE DREAMBOX ATTACHMENT

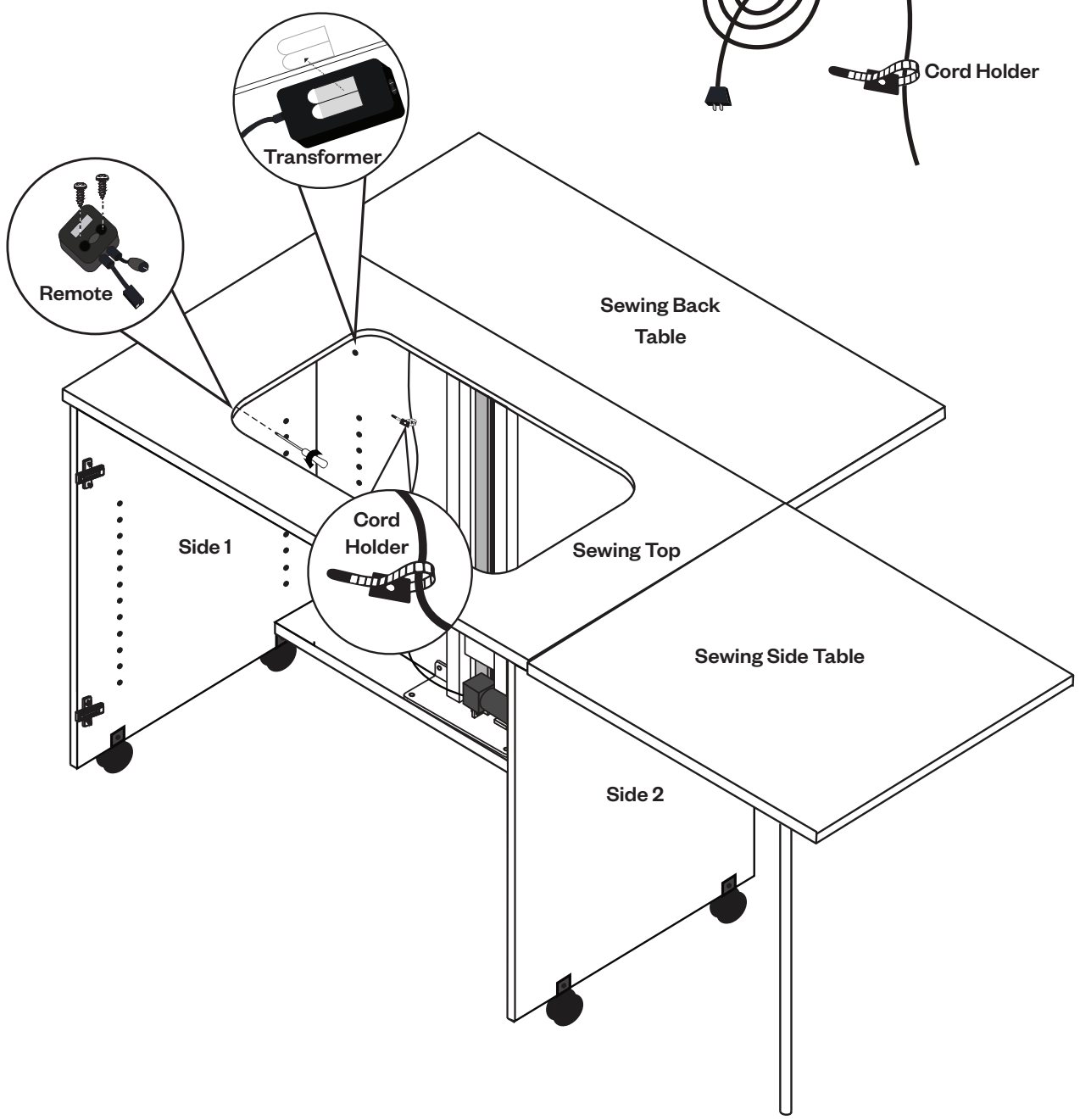
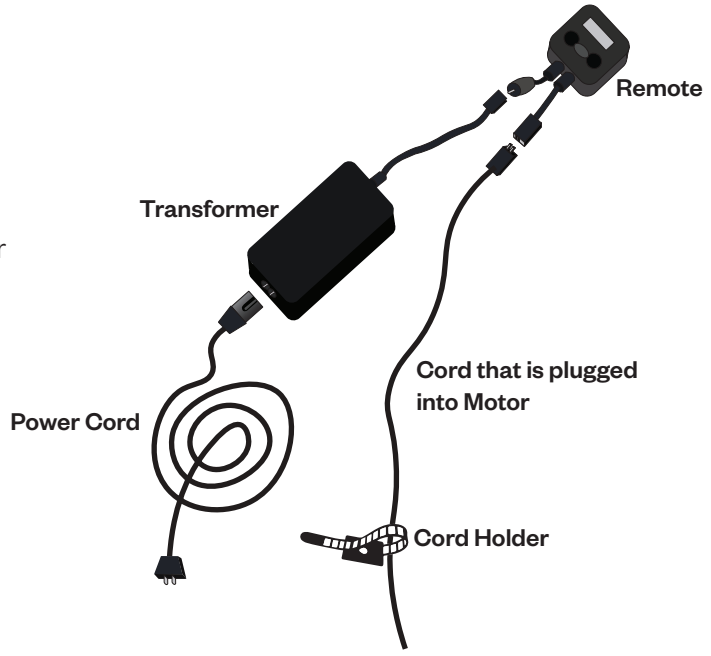
Note: Place in right most pilot holes. Unused pilot holes should be on the left side of power lifter.

# 15

**Right Spool Holder:** Place remote on left side. Use pilot holes to attach  
**Left Spool Holder:** Place remote on right side. Use pilot holes to attach

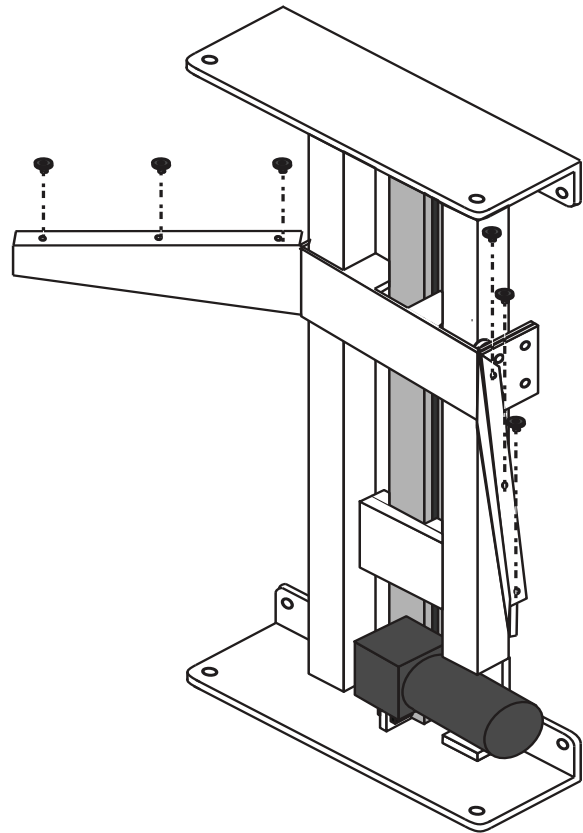
## a

Plug in cords to Remote. Apply Velcro to Transformer and to the underside of the table shown below. Press the velcro on the transformer and the table firmly together.




**b**

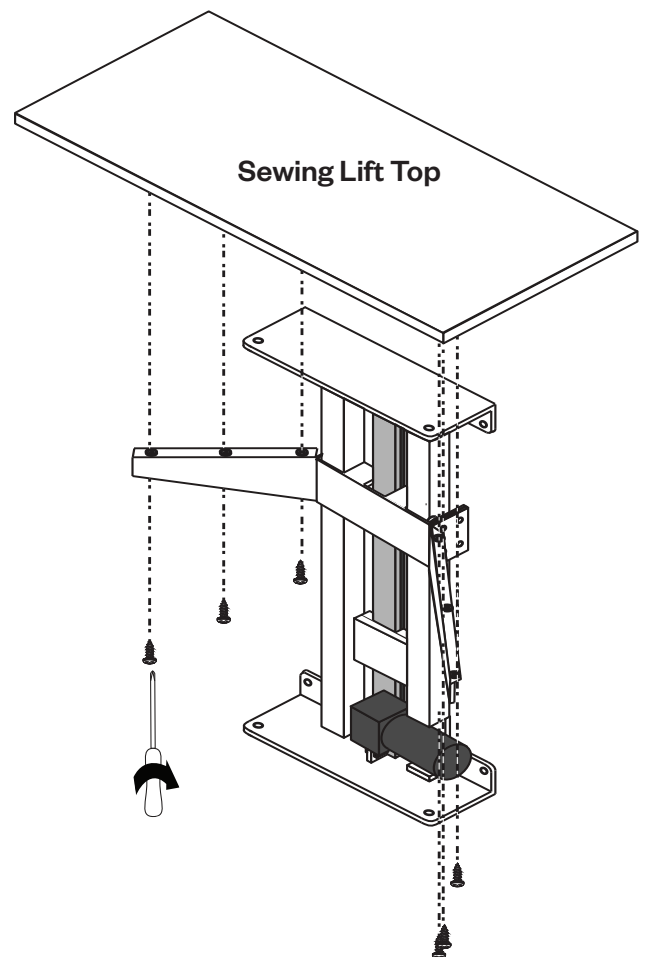
Rubber pads may already be installed.



**c**

Raise the lift and attach shelf. Use (6) screws to fasten **Sewing Lift Top (shelf)** onto the **power lifter** by pushing down on shelf and screwing from under shelf.

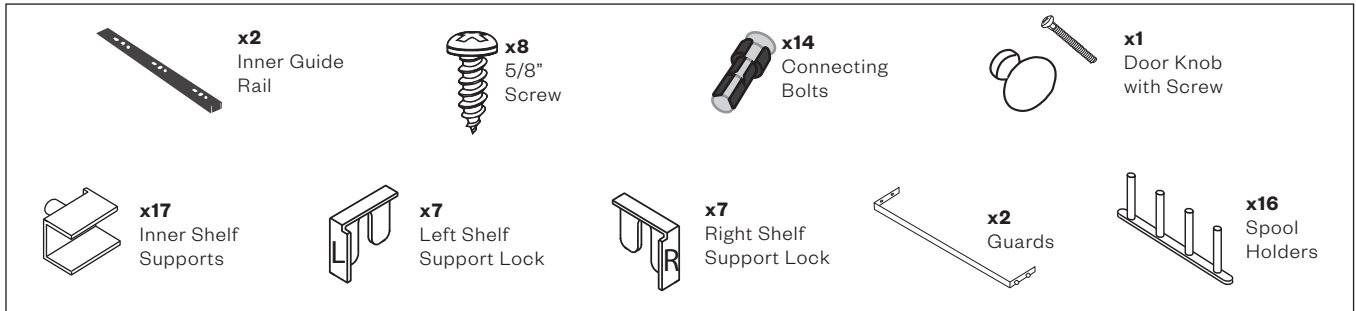
 x6  
5/8" Screws



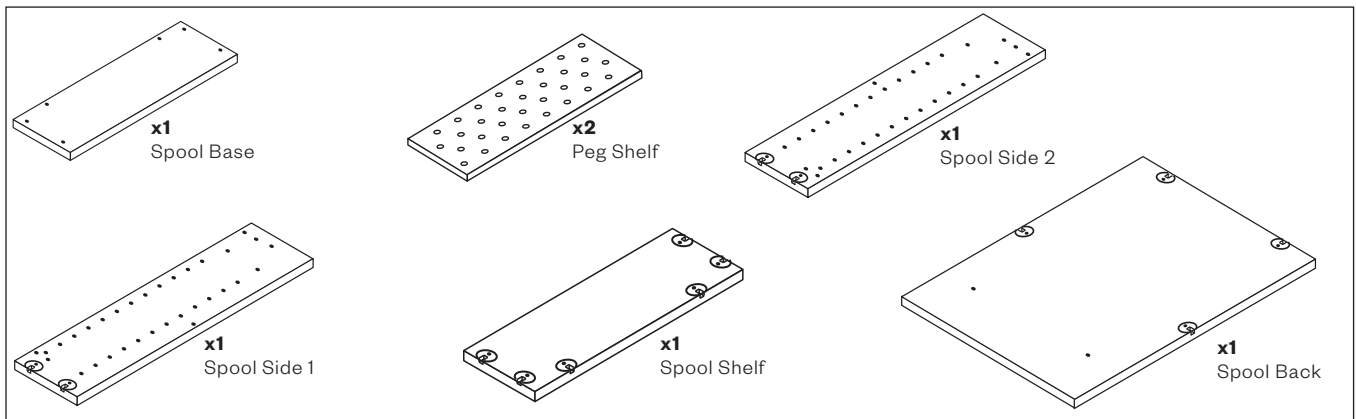


# spool holder drawer assembly

## HARDWARE YOU'LL NEED:



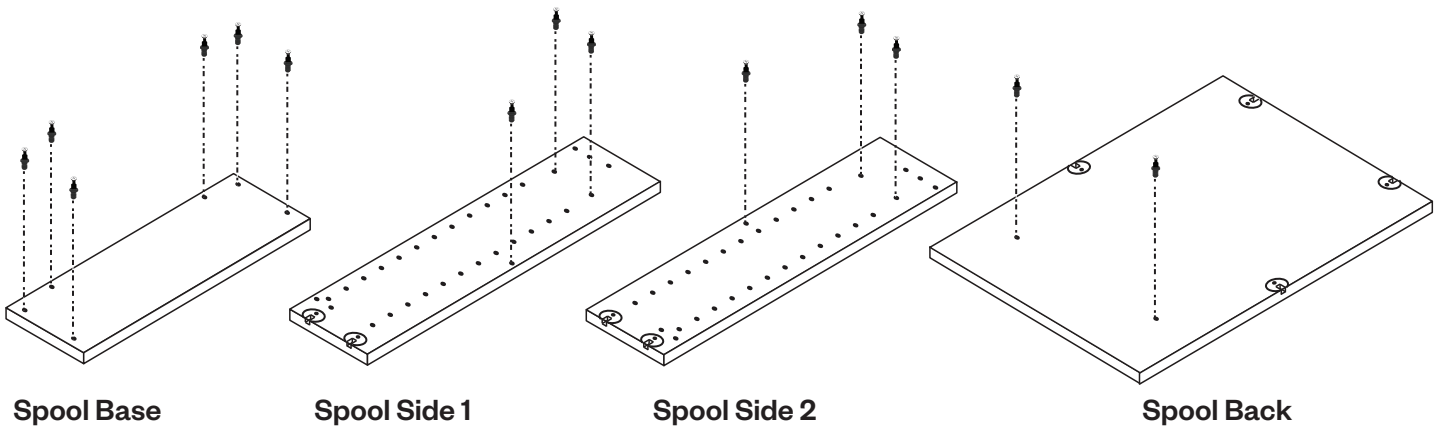
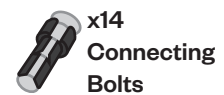
## PIECES YOU'LL NEED:



## TIME TO ASSEMBLE IT!

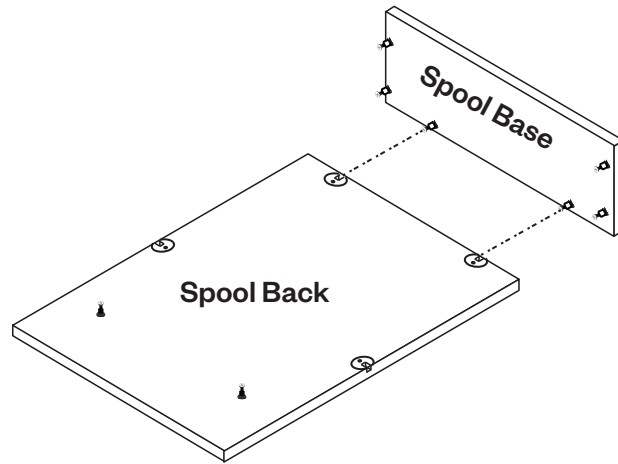


Install connecting bolts in corresponding holes.



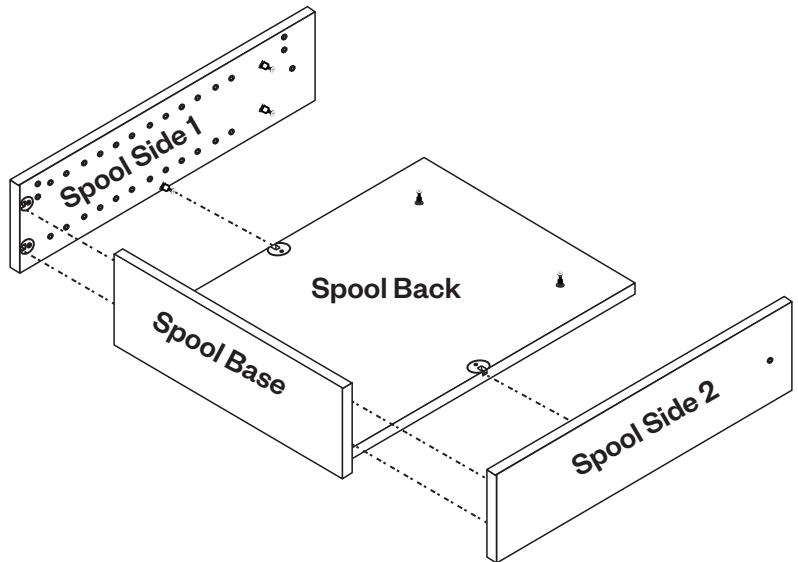
**b**

Install **Spool Base**, tighten cams.



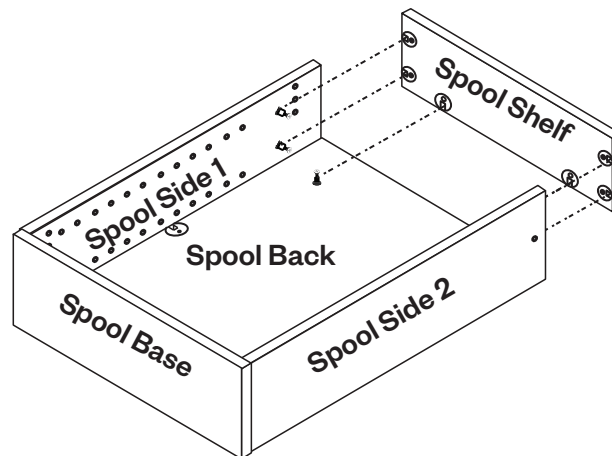
**c**

Install **Spool Sides**, tighten cams.



**d**

Install **Spool Shelf**, tighten cams.



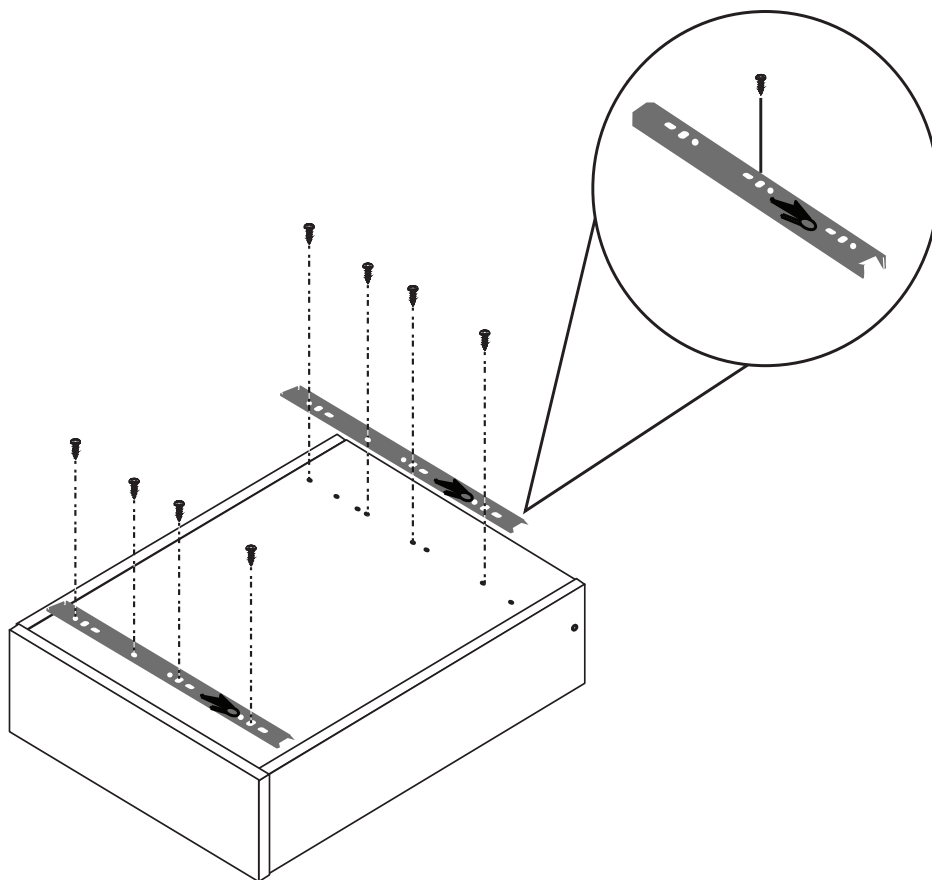
## RIGHT SPOOL HOLDER



x2  
Inner Guide  
Rail



x8  
5/8"  
Screws



16

Mount **Inner Guide Rail** to **Spool Back**.

Using (8) **guide screws** attach (2) **Inner Guide Rails** to the back of **Spool Back**.

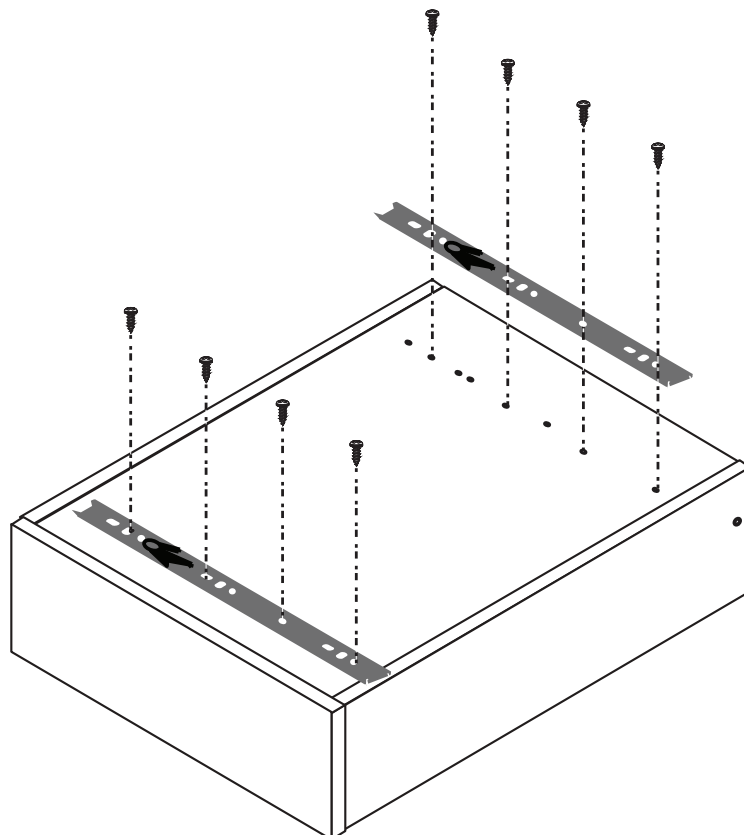
## LEFT SPOOL HOLDER



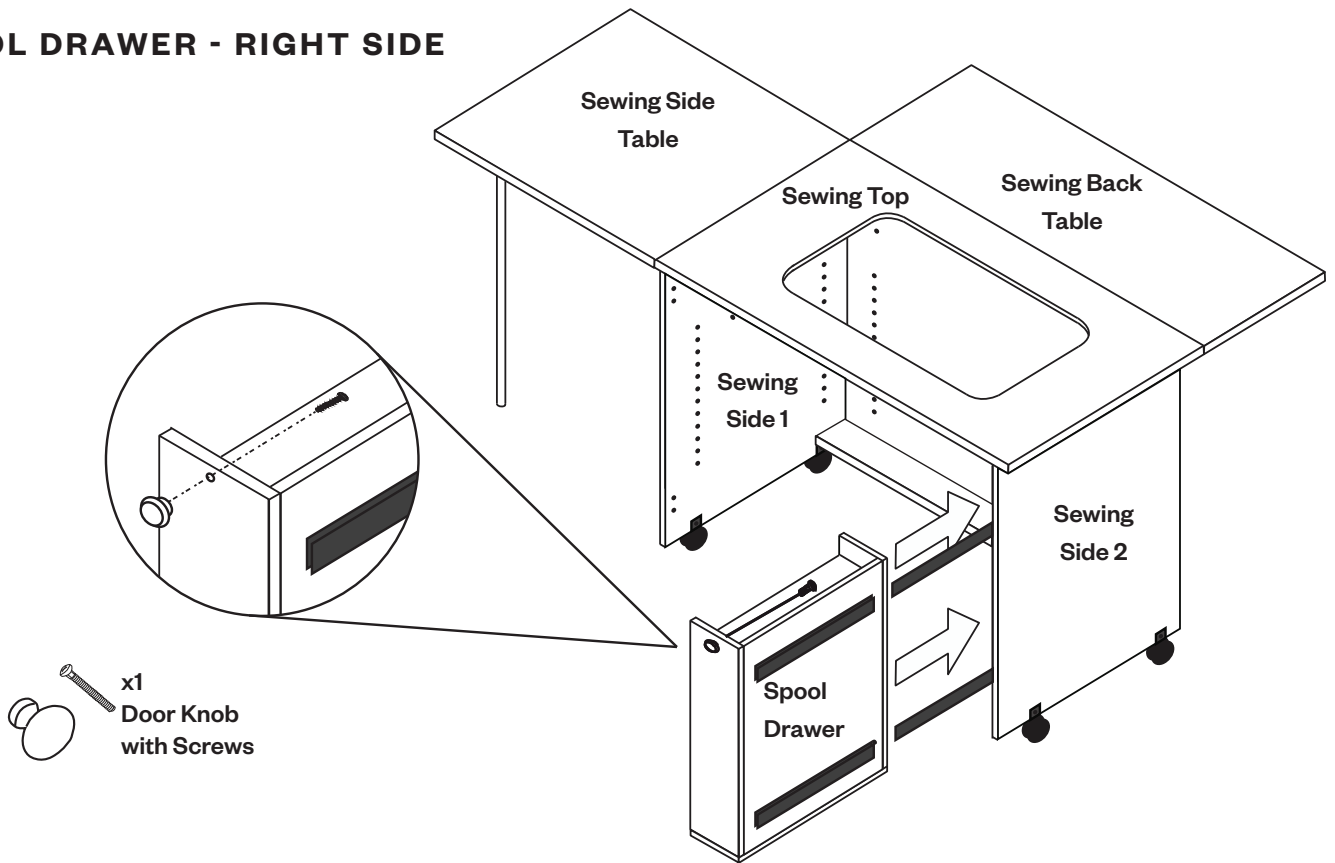
x2  
Inner Guide  
Rail



x8  
5/8"  
Screws



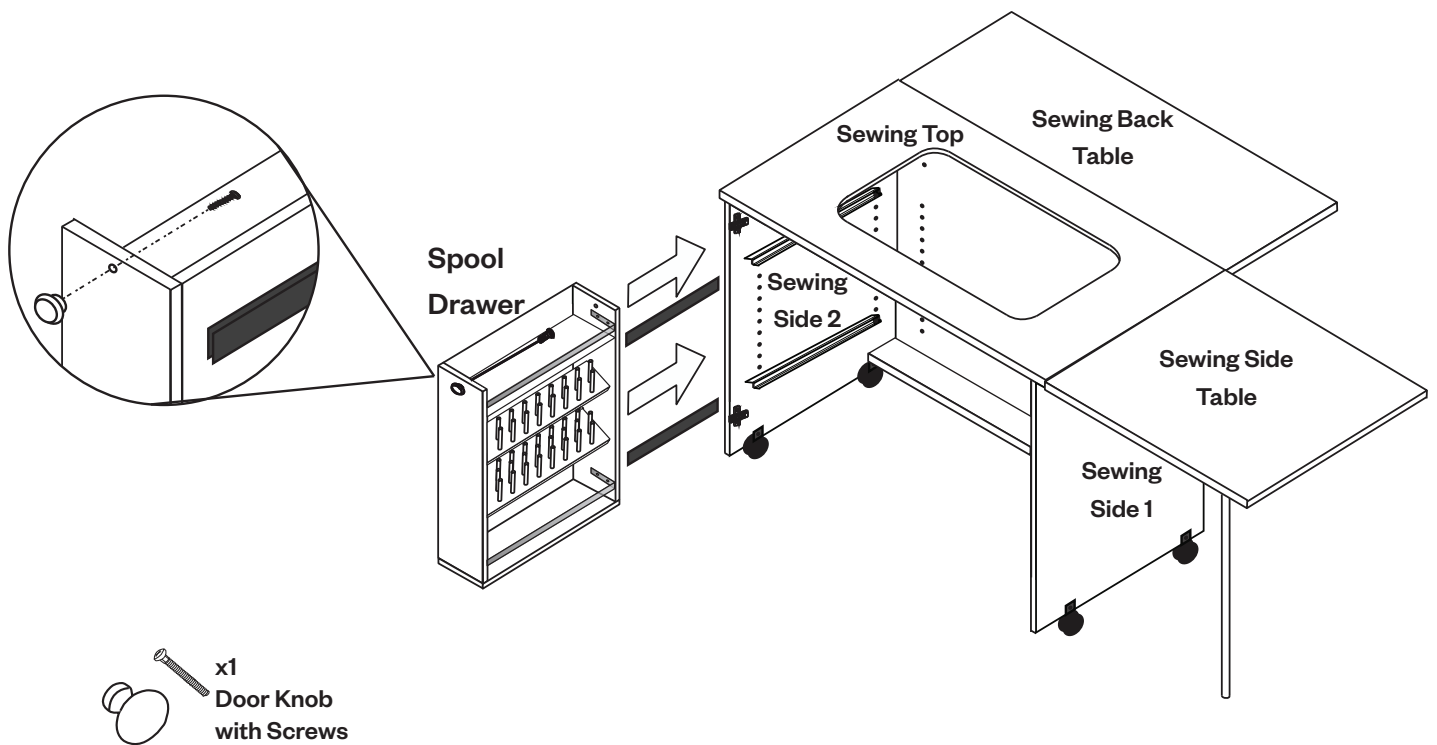
## SPOOL DRAWER - RIGHT SIDE



17

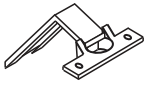
Install **Door Knob**. Line up **Inner Guide Rail** to **Guide Rail**. Slide in drawer until it clicks. Test to ensure its installed safely.

## SPOOL DRAWER - LEFT SIDE



# 18

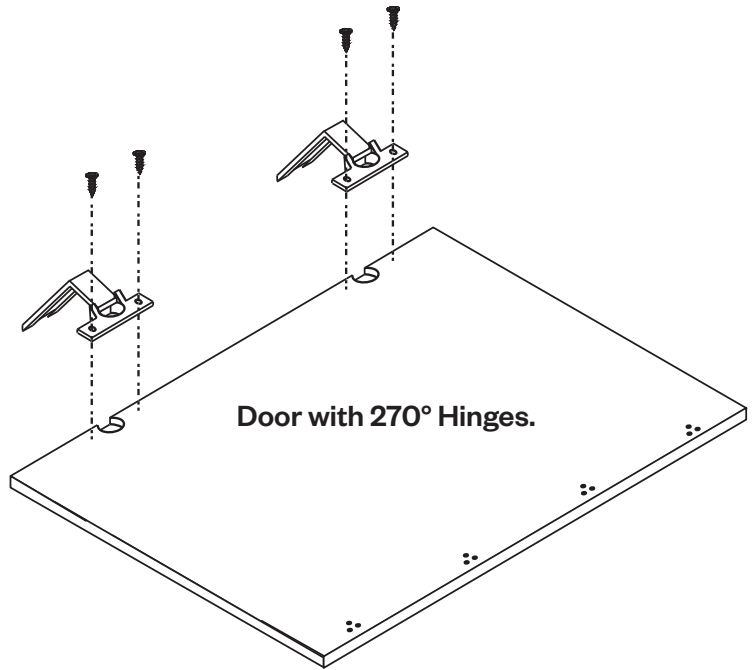
Install **270° Door Hinges** to **Door with 270° Hinges**.



x2  
270° Door  
Hinges



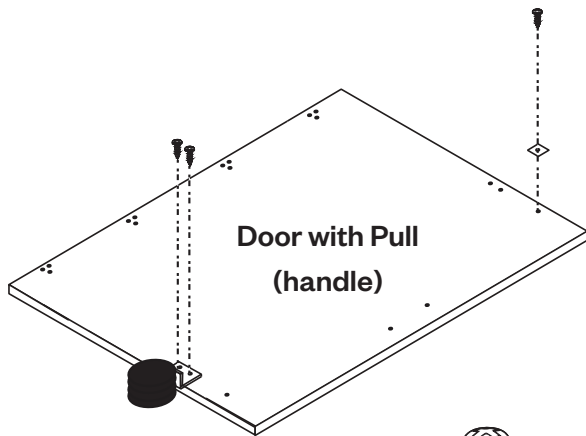
x4  
Flat Head  
Screws



# 19

Install the **Door Support Wheel** and plate to the corresponding holes. Use pilot holes to guide you.

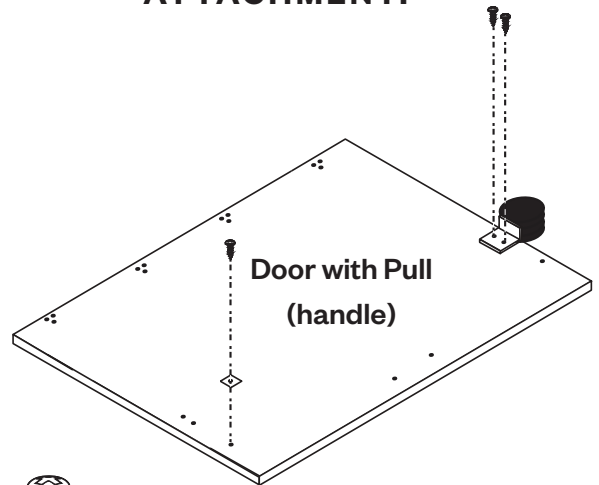
## RIGHT SIDE DREAMBOX ATTACHMENT:



x1  
1/2" Screws

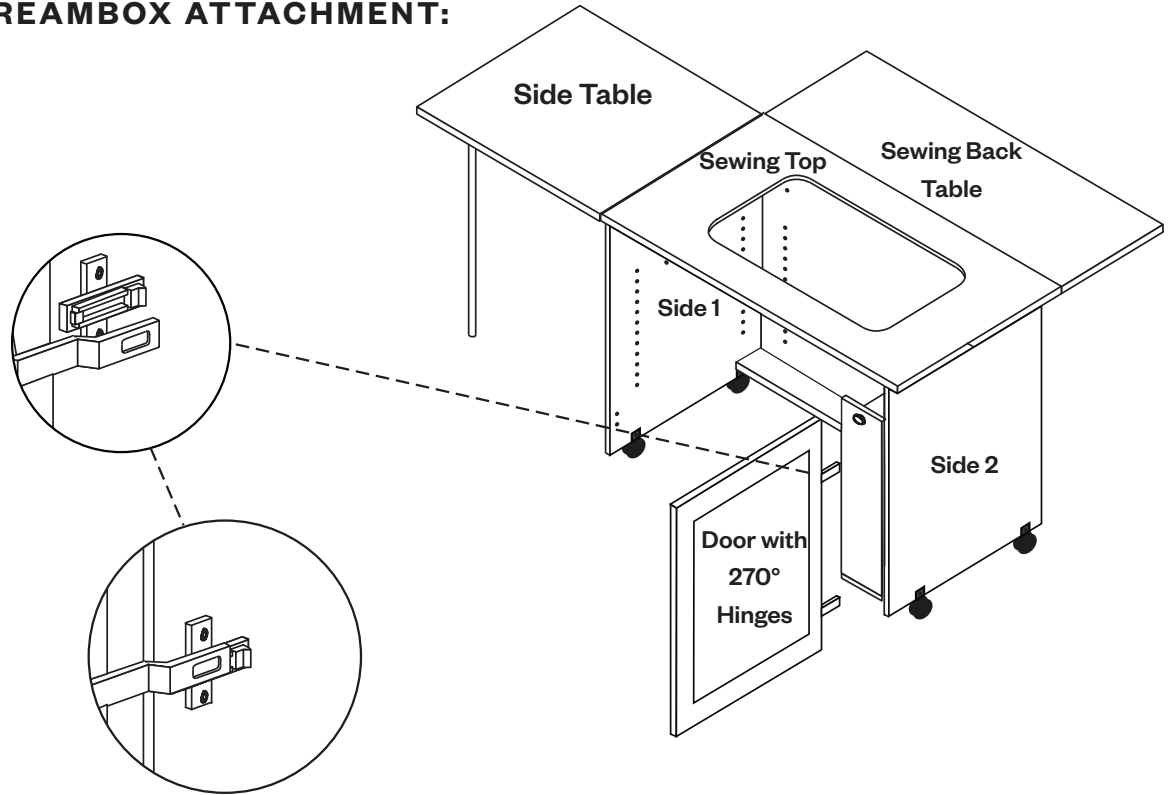
x1  
Door Support  
Wheel

## LEFT SIDE DREAMBOX ATTACHMENT:



x2  
5/8" Screws

## RIGHT SIDE DREAMBOX ATTACHMENT:



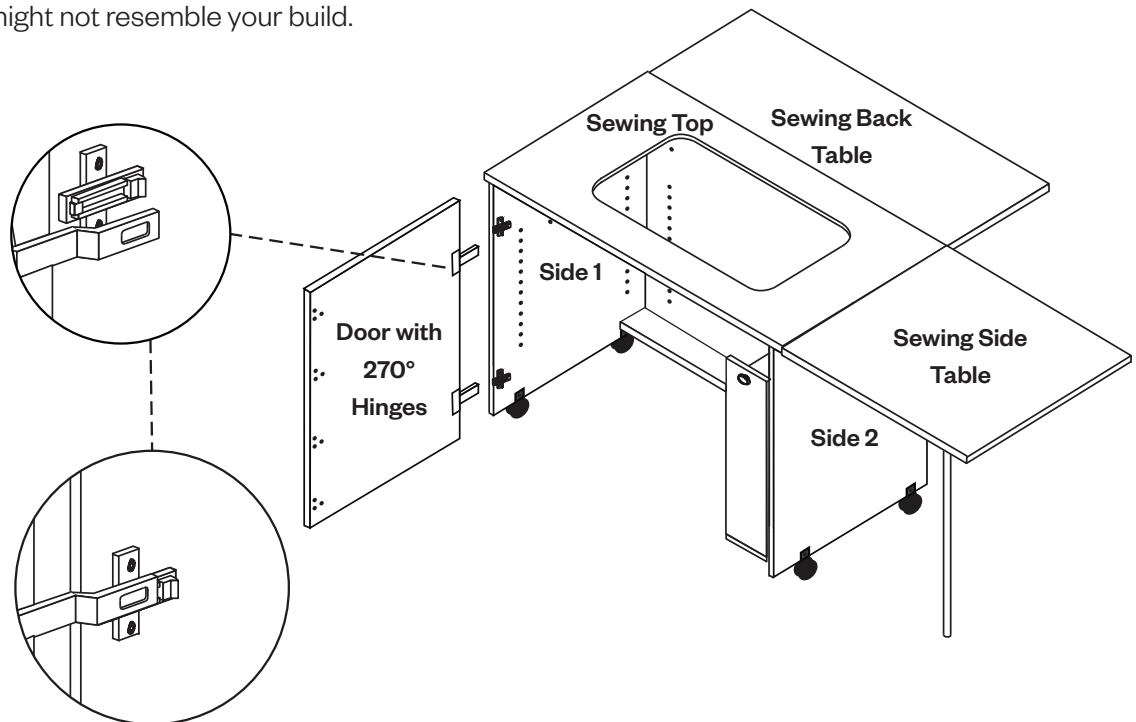
20

Click **270° Door Hinge** to **Door Hinge mount**.

**Note:** These do not slide together they click into place.

## LEFT SIDE DREAMBOX ATTACHMENT:

**Reminder:** Graphic might not resemble your build.



**RIGHT SIDE DREAMBOX ATTACHMENT:**



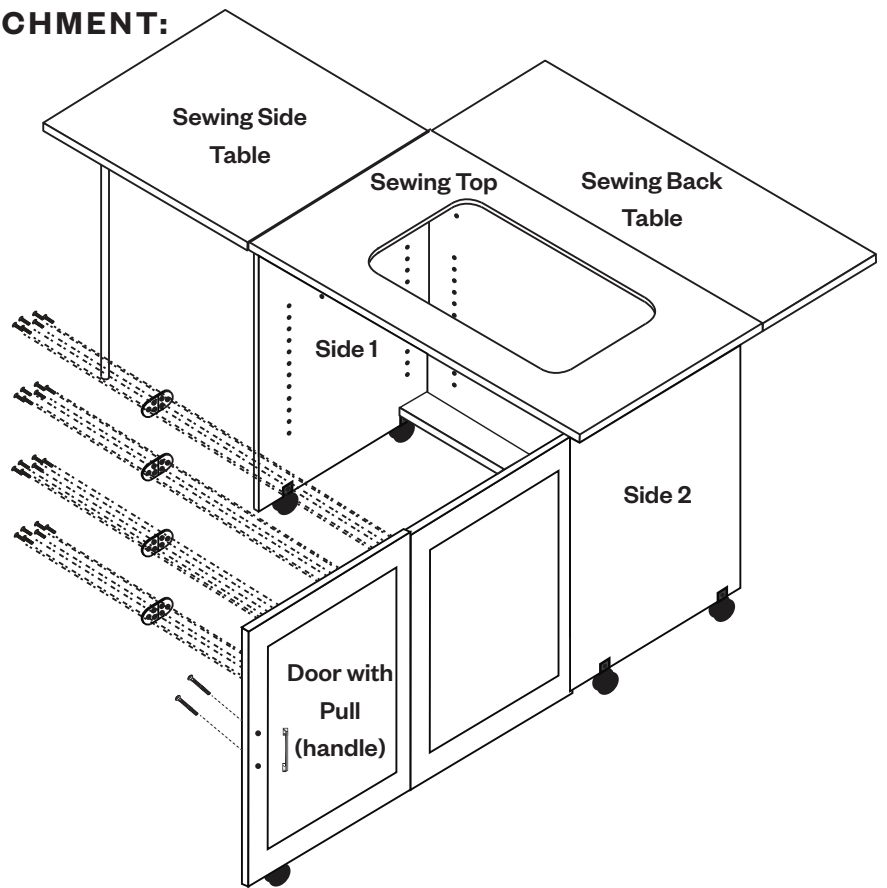
x4  
Standard  
Hinges



x24  
13mm Euro Screws



x1  
Door Handle  
(Screws Included)



**21** Install **Door with Pull (handle)** to **Door** with **270° Hinges**. Install **Door Handle**.

**LEFT SIDE DREAMBOX ATTACHMENT:**



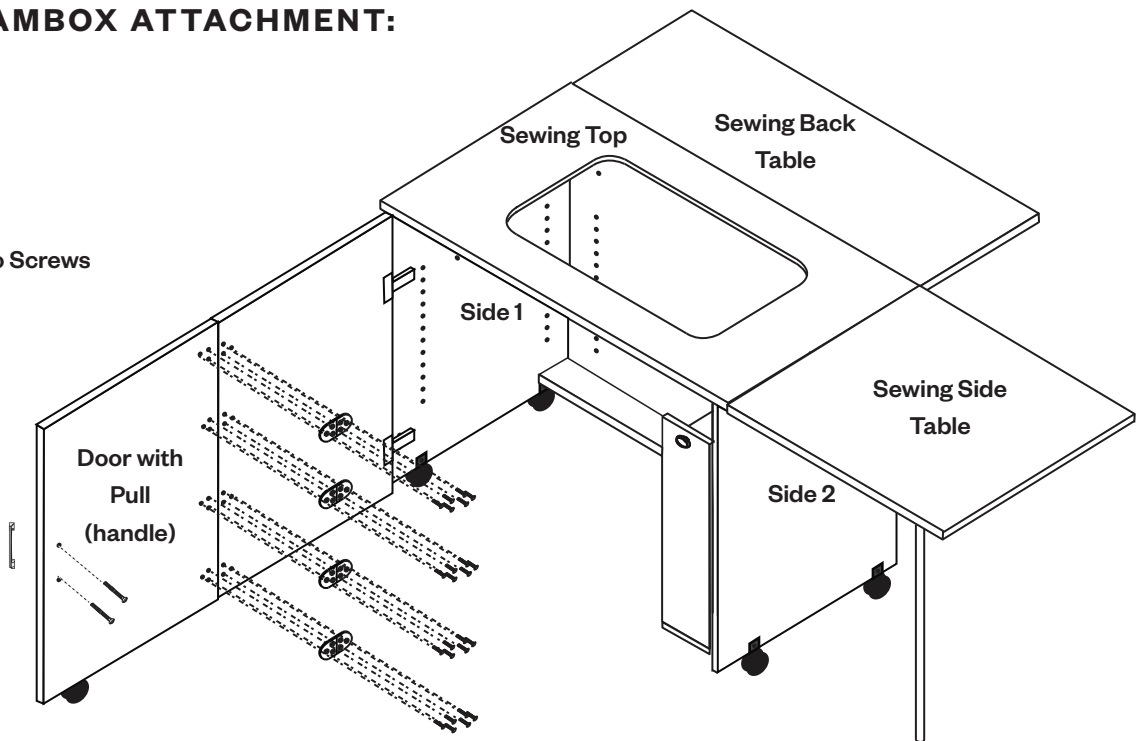
x4  
Standard  
Hinges



x24  
13mm Euro Screws



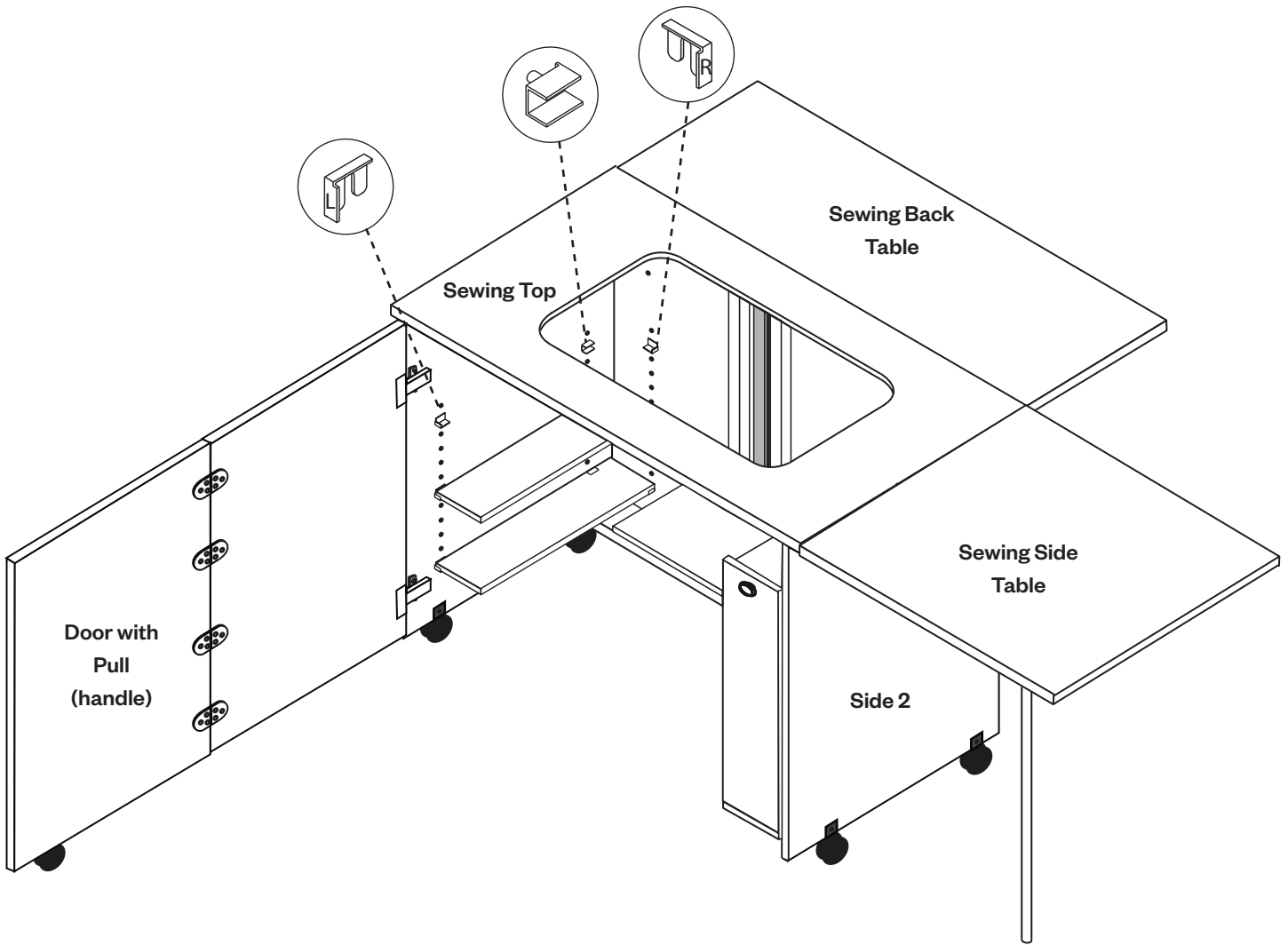
x1  
Door Handle  
(Screws Included)




22

Install (3) **Sewing Shelves** using **Shelf Supports**.

**Note:** Installation is the same for both left and right side spool holder.



 x3  
Inner Shelf  
Support Lock

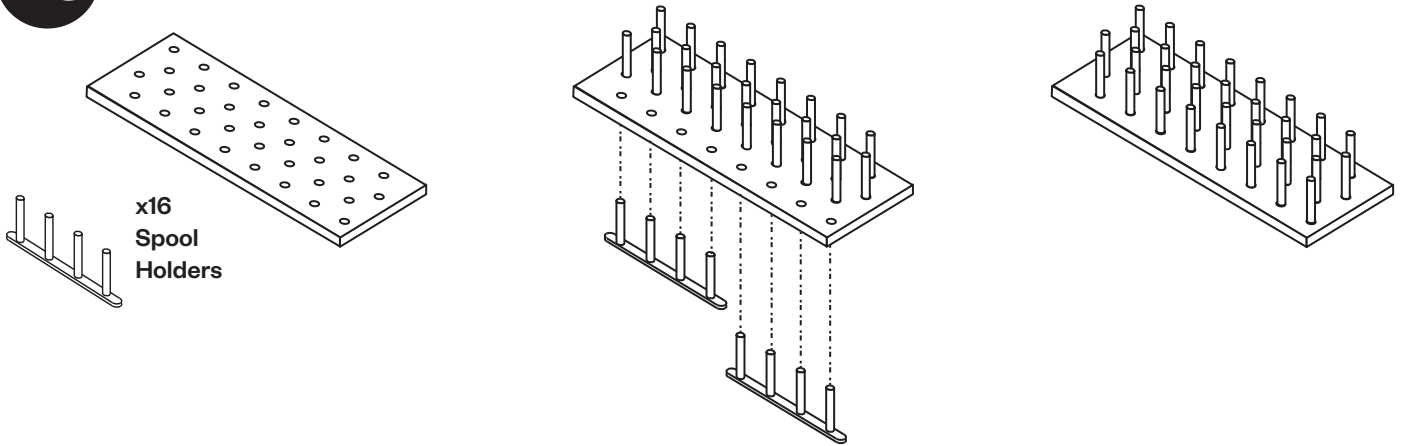
 x3  
Left Shelf  
Support Lock

 x3  
Right Shelf  
Support Lock



23

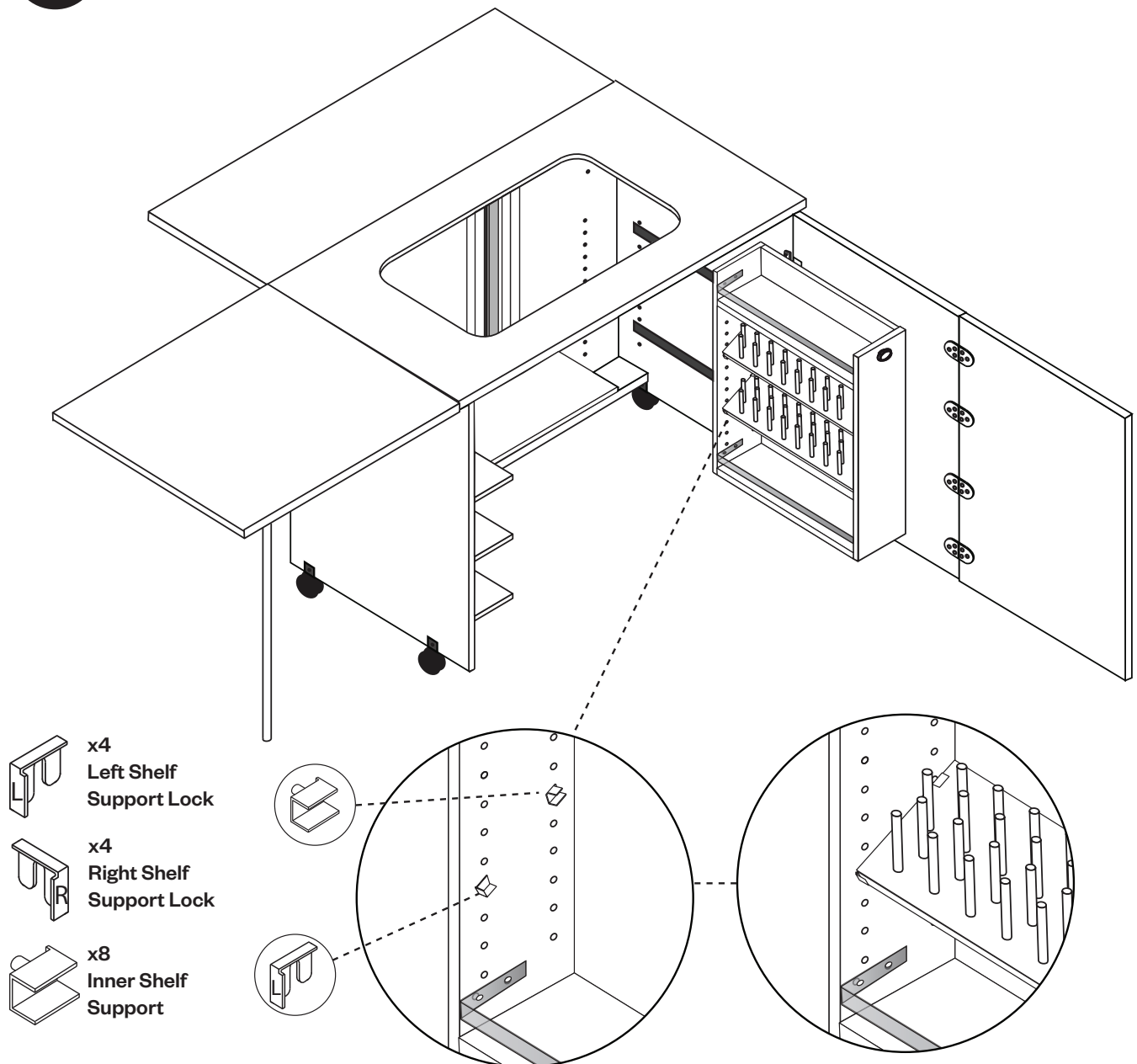
Using the palm of your hand snap (16) **Spool Pegs** into (2) **Peg Shelves**.



24

Install (8) **Shelf Supports** at an angle to install (2) **Spool Shelves**.

**Note:** This can be applied to both left and right spool holder configuration.



# CONNECTING TO DREAMBOX 1

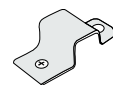
## HARDWARE NEEDED FOR CONNECTING TO DREAMBOX 1:



x1 Barrel Lock



x1 Sash Lock

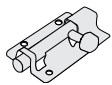


x1 Barrel Lock Catch w/ screws

### RIGHT SIDE DREAMBOX ATTACHMENT:



x2 8mm Hole Plugs



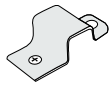
x1 Barrel Lock



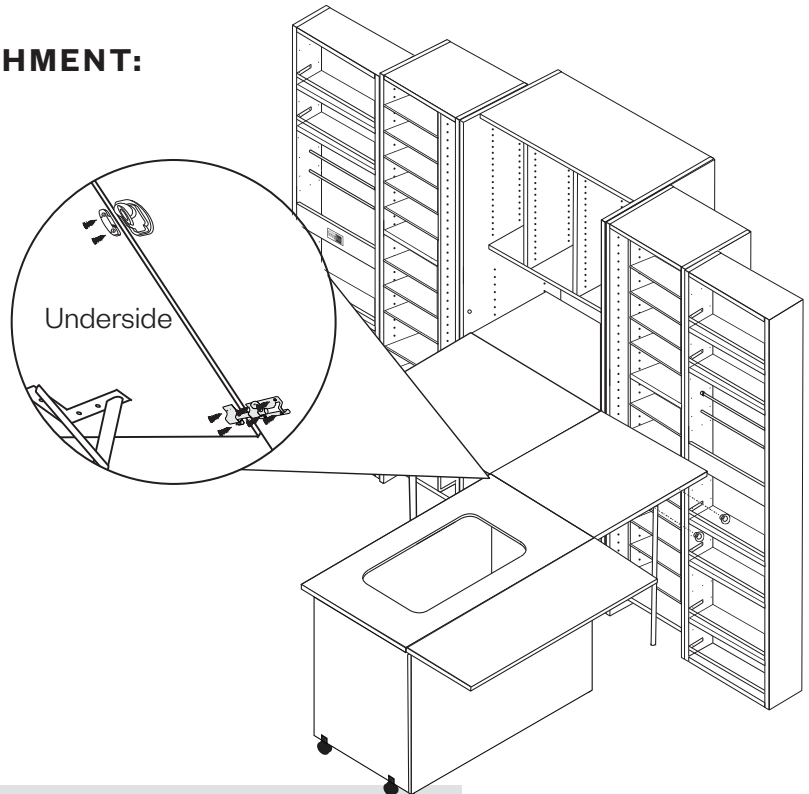
x8 Euro Screws



x1 Sash Lock



x1 Barrel Lock Catch w/ screws



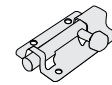
**25**

Attach Sewstation to DreamBox 1 using barrel lock, barrel lock catch and sash lock.

### LEFT SIDE DREAMBOX ATTACHMENT:



x2 8mm Hole Plugs



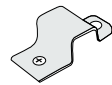
x1 Barrel Lock



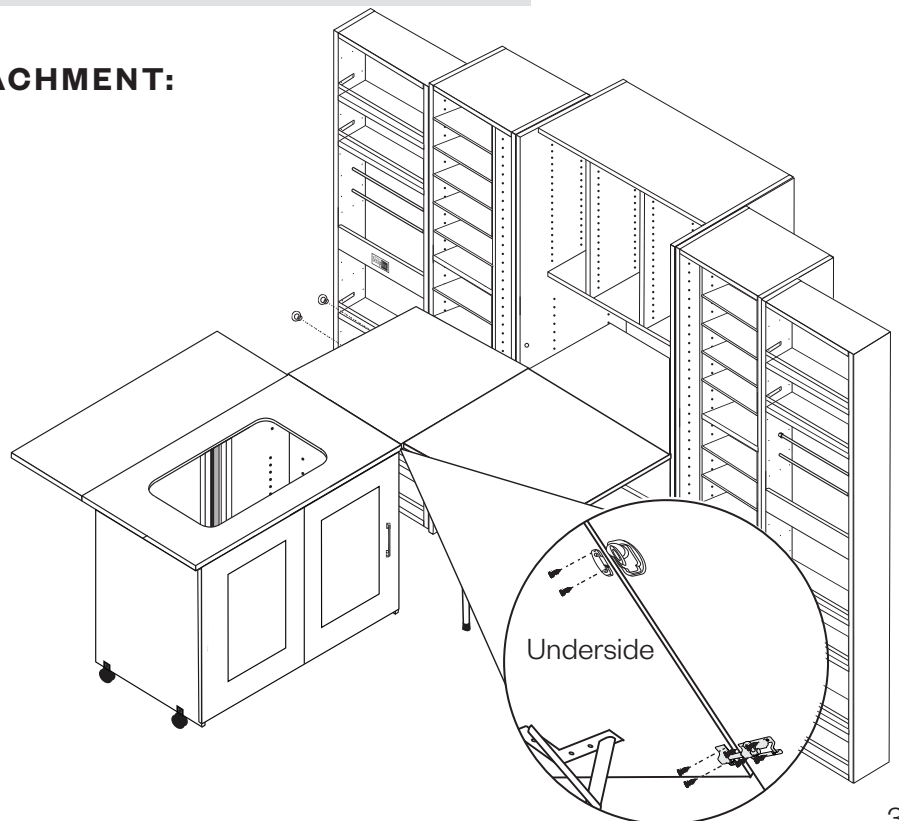
x8 Euro Screws



x1 Sash Lock

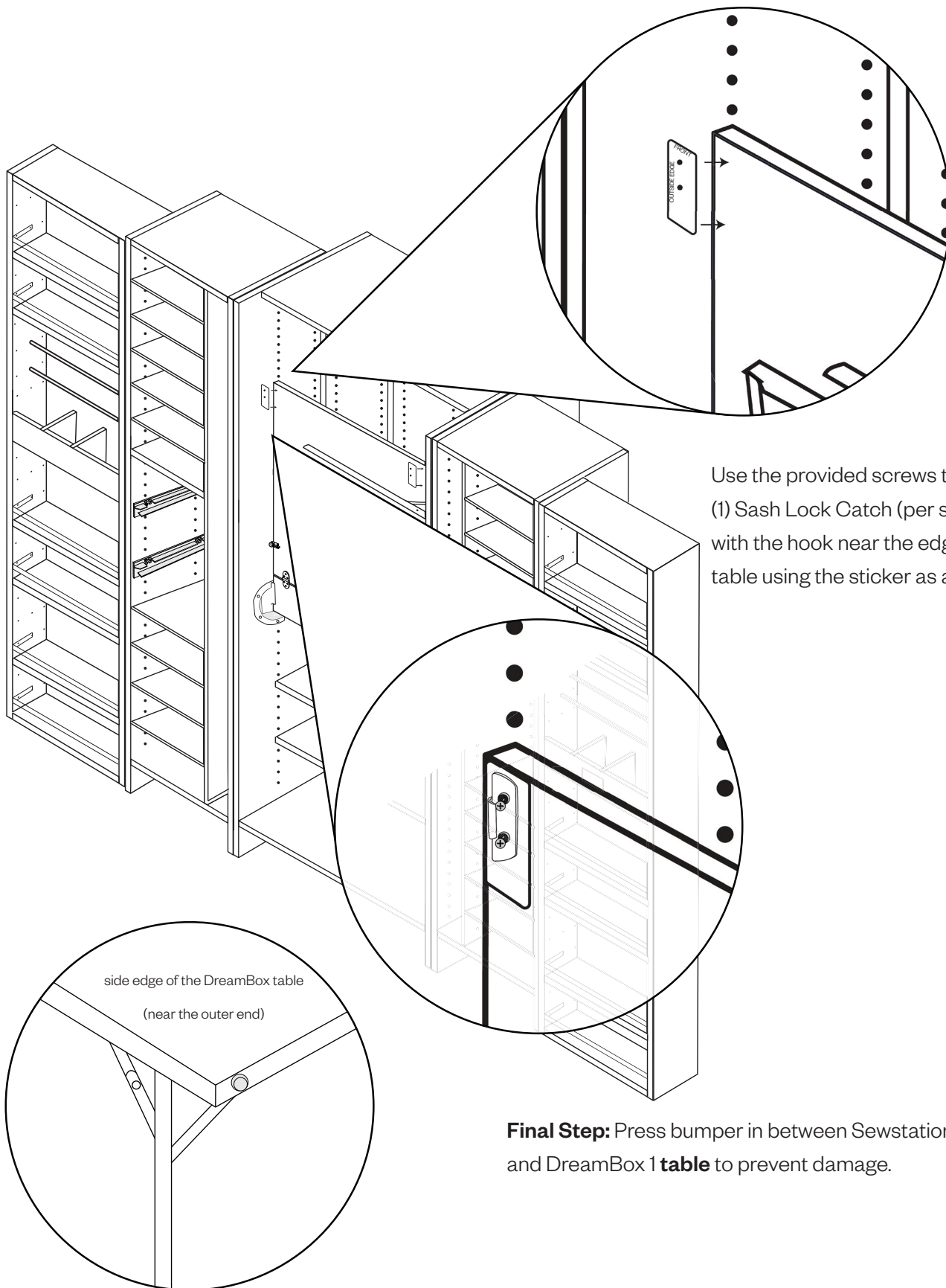


x1 Barrel Lock Catch w/ screws



26

If attaching to DreamBox 1, install sash lock corresponding with your configuration choice. Use the sticker to help guide the location of your screws. You will need to self tap.



Use the provided screws to attach (1) Sash Lock Catch (per side) with the hook near the edge of the table using the sticker as a guide.

**Final Step:** Press bumper in between Sewstation and DreamBox 1 **table** to prevent damage.

# CONNECTING TO DREAMBOX 2

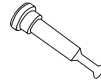
## HARDWARE NEEDED FOR CONNECTING TO DREAMBOX 2:



x2  
8mm Hole Plugs

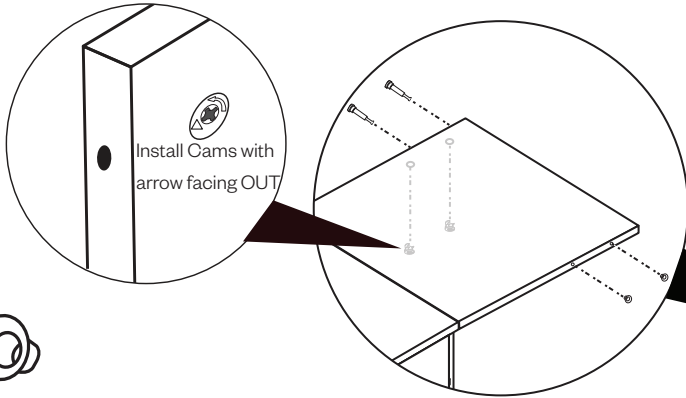


x2  
Locking Cams



x2  
Locking Posts

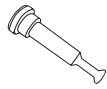
### RIGHT SIDE DREAMBOX 2 ATTACHMENT:



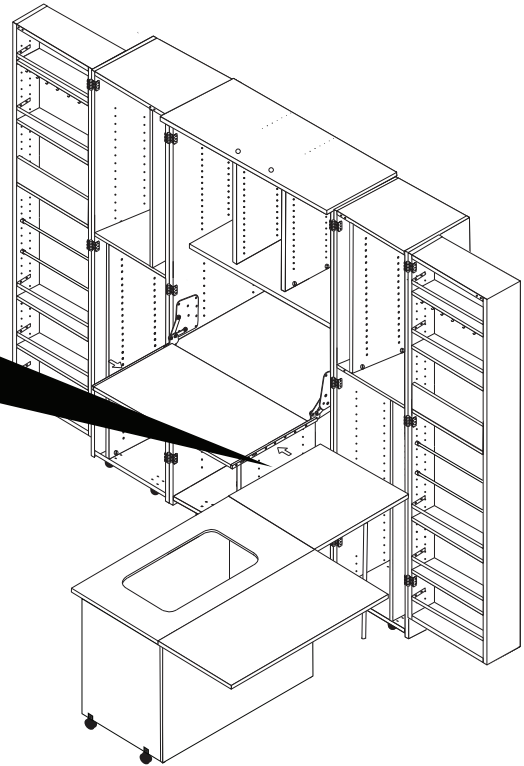
x2  
8mm Hole Plugs



x2  
Cams



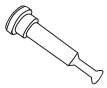
x2  
Locking Posts



27

Install **Locking Posts** and **Cams**. Attach to **DreamBox 2** by sliding **Locking Posts** into the grooves of the **DreamBox 2** table until it clicks in place. Add **Hole Plugs**.

### LEFT SIDE DREAMBOX 2 ATTACHMENT:



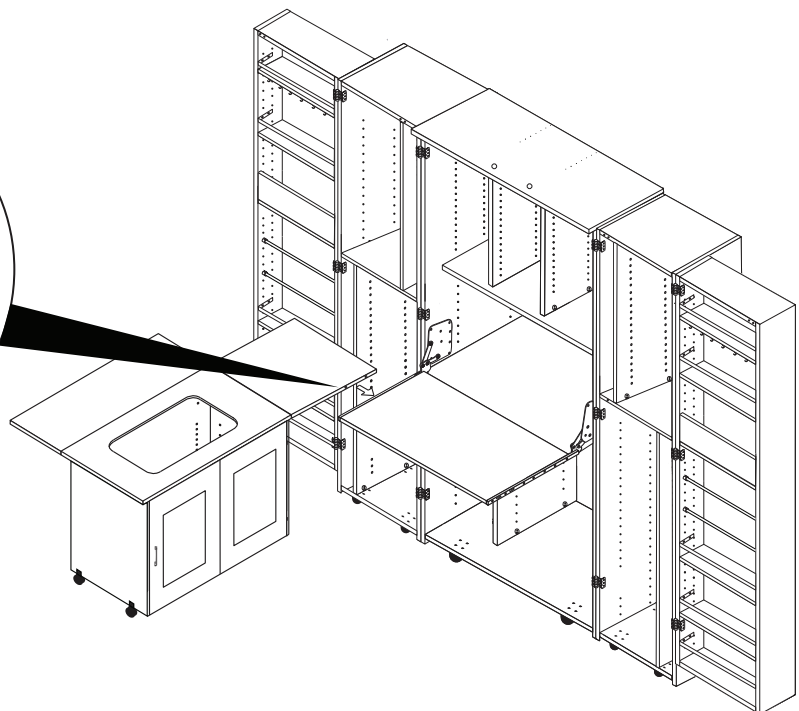
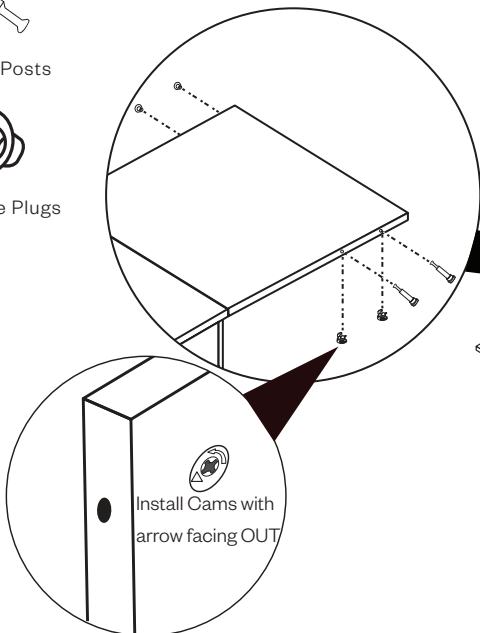
x2  
Locking Posts



x2  
8mm Hole Plugs



x2  
Cams



# yipee!

## **YOU'VE DONE IT.**

Now sit back and enjoy your new inspiring sewing space. That first project is going to feel so good!

Remember to share pictures of your crafts and craft space with us on Facebook @CreateRoomFamily.

# warranty

## **IMMEDIATE INSPECTION REQUIRED:**

Upon receiving your Create Room furniture, promptly inspect the package for any external or concealed damage. Report any visible damage to the delivery driver and contact our Customer Service for both freight and parcel deliveries. For concealed damage, notify us within 5 business days with photos to ensure timely support.

## **30-DAY COVERAGE FOR ORDER ACCURACY:**

If your order has missing or incorrect items, let us know within 30 calendar days of delivery. We want to ensure your crafting setup is complete and ready for use.

## **1-YEAR MANUFACTURING DEFECT WARRANTY:**

This warranty covers manufacturing defects affecting use and assembly for a year from delivery. If you run into issues with part quality, including holes drilled wrong or edge banding flaws, we'll provide replacement parts.

## **PRE-ASSEMBLED SECTIONS SUPPORT:**

For pre-assembled furniture parts requiring replacements, we cover individual parts. Our Customer Service team is available to guide you through the replacement process, offering detailed instructions or service ideas.

## **WARRANTY EXCLUSIONS:**

- Damage from improper assembly, misuse, or accidents
- Normal wear and tear
- Shipping damage after the initial inspection period
- Not following instructions for assembly, use, or safety
- Non-manufacturing defect claims made after 30 days from delivery
- Environmental damage or inadequate storage conditions
- Damage to personal items from misusing Create Room products
- Use of wheeled furniture on unsuitable surfaces
- Accessories not part of the integral furniture package
- Secondhand purchases or gifts
- Theft
- Minor cosmetic variances

## **CUSTOMER SERVICE AND SUPPORT:**

Contact our Customer Service for any concerns or help at **1 (801) 226-2686**, **customerservice@createroom.com**, or through **live chat on createroom.com**.