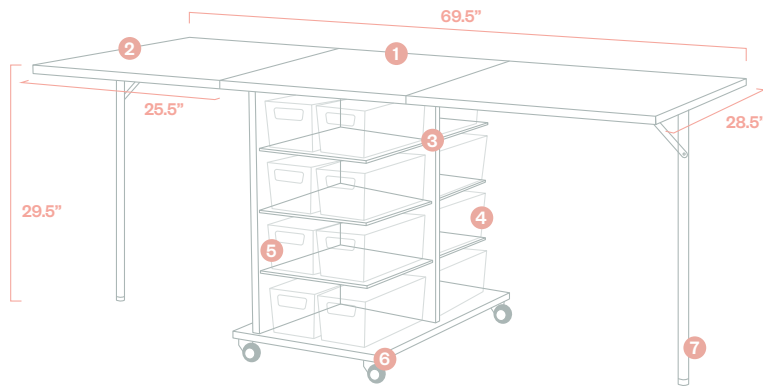


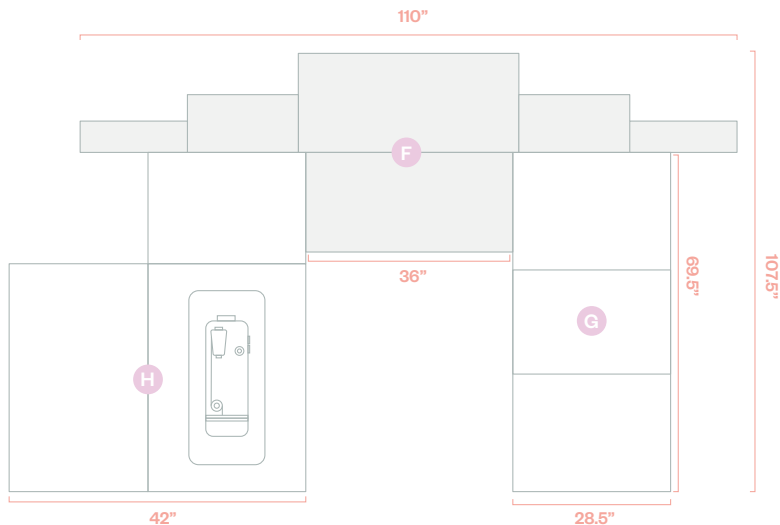
dreamcart

POP-UP MOBILE CRAFT STATION



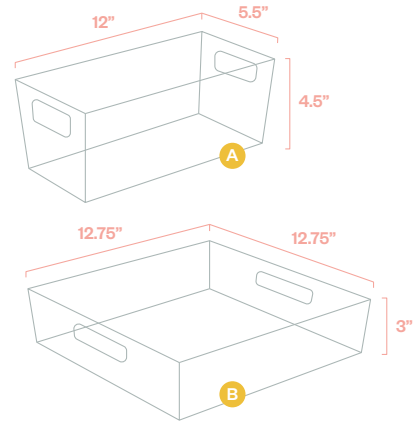
- 1 DreamCart
 - 2 Table Leaves x2
 - 3 7 Moveable Shelves
 - 4 Large InView Totes x5
 - 5 Medium Inview Totes x8
 - 6 Steel Caster Wheels x4
 - 7 Folding Table Legs x2
- Assembly takes 30-45 minutes

MAXIMUM STORAGE & WORK SPACE COMBINATIONS



- F DreamBox Top View
- G DreamCart TopView
- H Sew Station Top View

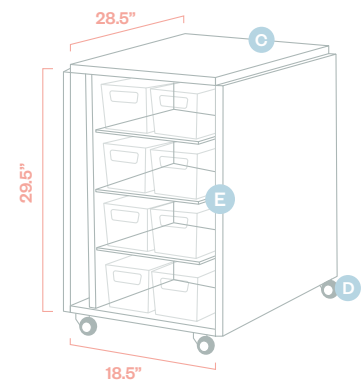
- The DreamBox, DreamCart and Sew Station combined offers over 36 sq. ft. of work space.



- A Medium InView Tote 8 Included w/ DreamCart
- B Large InView Tote 5 Included w/ DreamCart

DID YOU KNOW?

the dreamcart locks into the dreambox to triple your craft space and add more storage capacity.



- C DreamCart Closed View
- D 4 Locking Wheels
- E Customizable shelving for InView Totes



HAVE MORE QUESTIONS?
Scan for personalized help and advice.