



CREATE ROOM.

oh happy day

YOU'VE RECEIVED THE DREAMCART 2!



It's already time for your first project. Let's get to work!

We've broken down the assembly instructions into simple steps. If you have any questions, don't hesitate to reach out to our customer service team. They are the friendliest bunch of furniture experts and will be happy to help you!



CUSTOMERSERVICE@CREATEROOM.COM



WWW.CREATEROOM.COM



USA / CANADA: 801-226-2686 (M-F 9AM-5PM MST)
UK/EU: +49 40 69632955 OR +44 7759 335868

We are excited for you to enjoy your inspiring new workspace and can't wait to see pictures! Share your photos on Facebook and Instagram and don't forget to tag @createroomco.

Happy crafting!

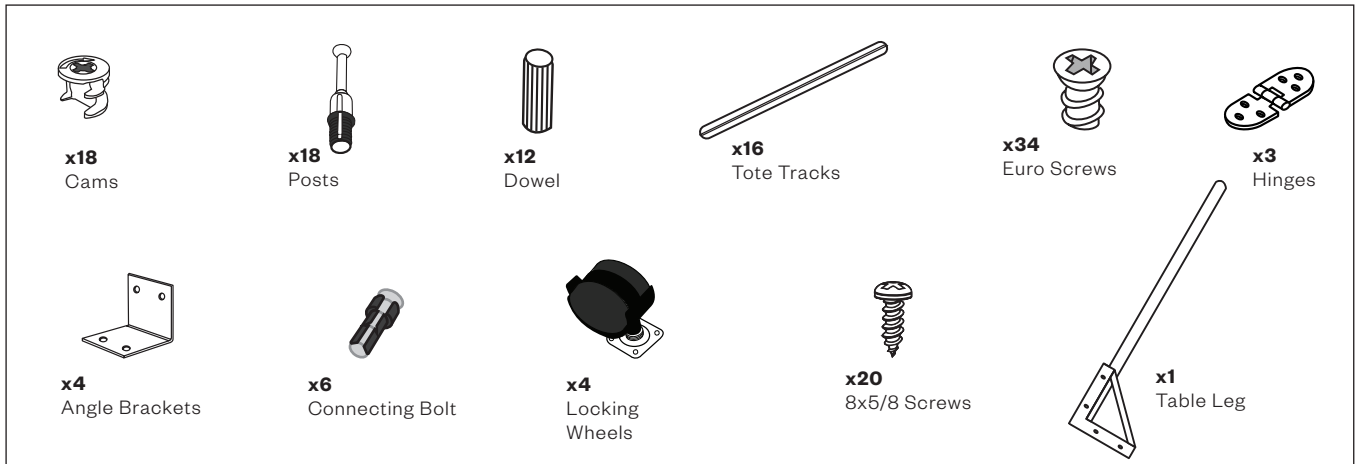
DreamCart 2 Assembly Instructions

(Proprietary patented product and instructions. Do not copy or distribute.)

U0424B

dreamcart 2

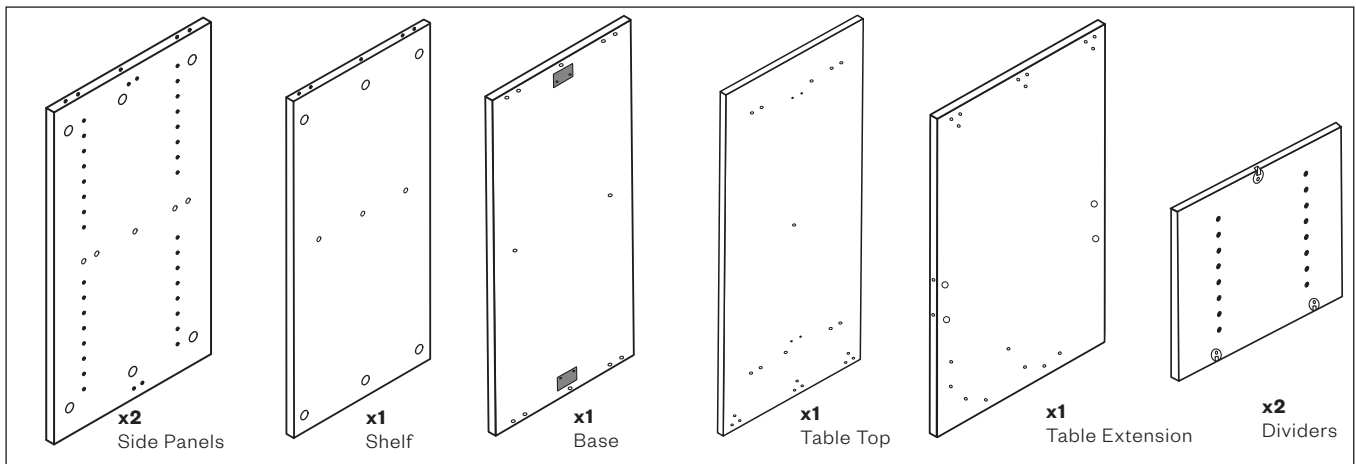
HARDWARE YOU'LL NEED:



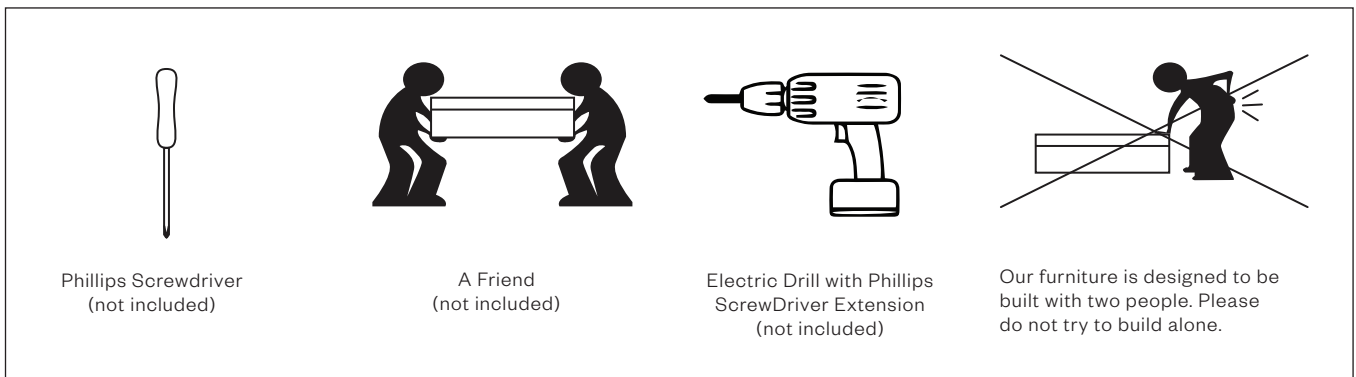
HARDWARE NEEDED FOR CONNECTING TO DREAMCART 2:



PIECES YOU'LL NEED:

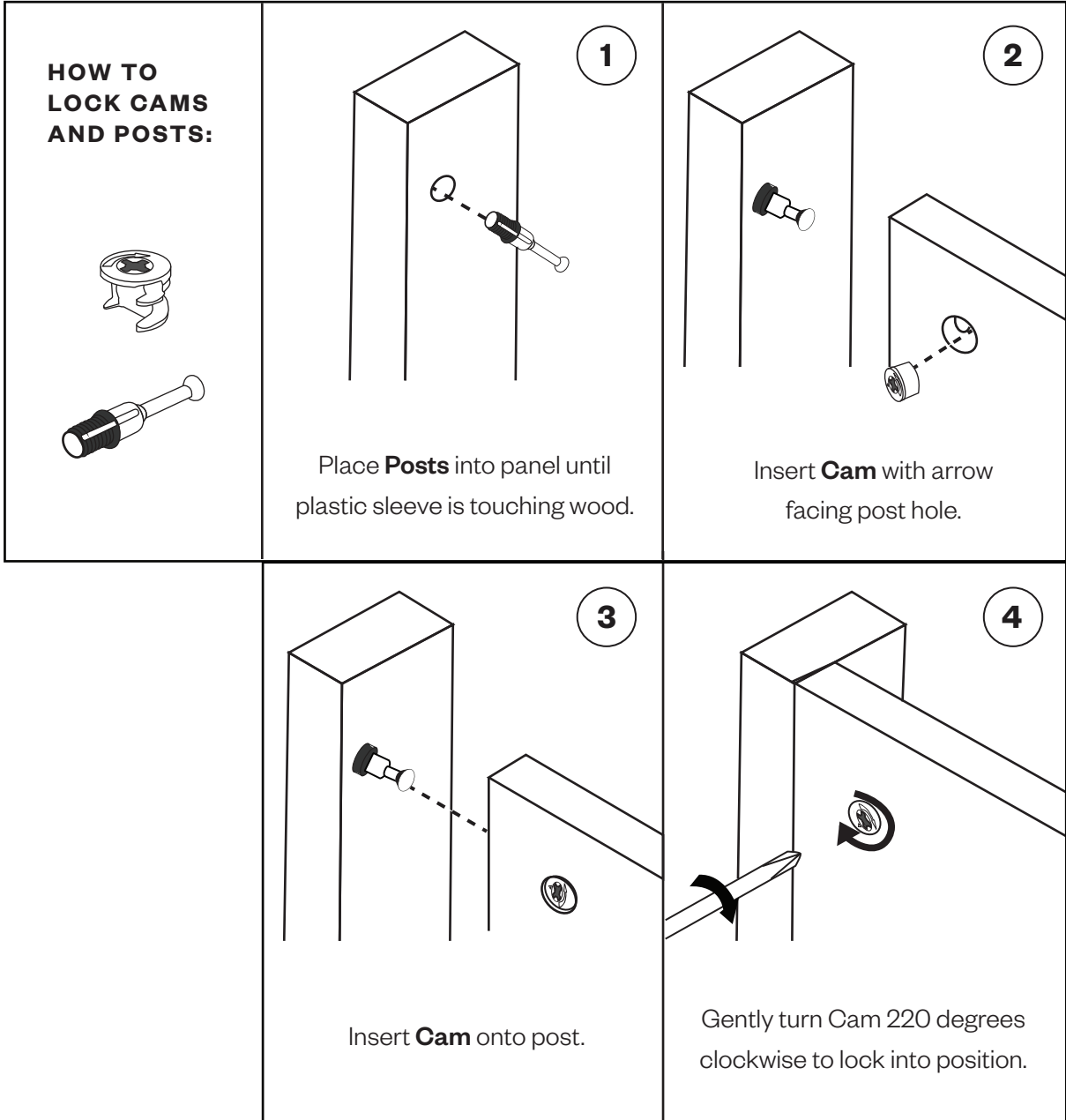


TOOLS YOU'LL NEED:



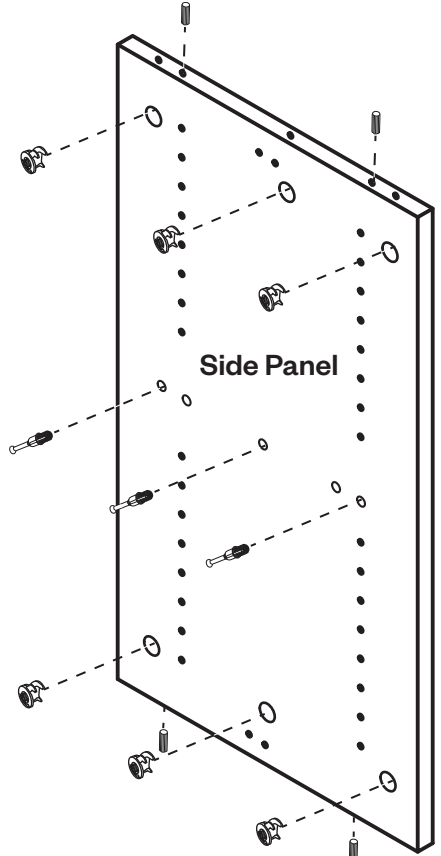
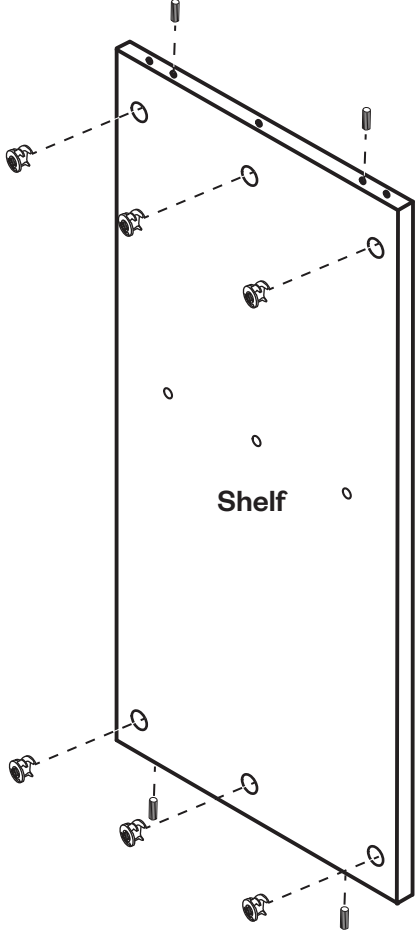
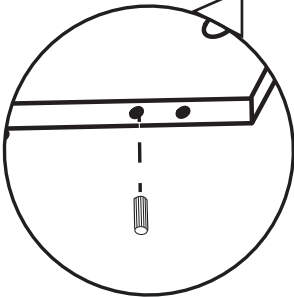
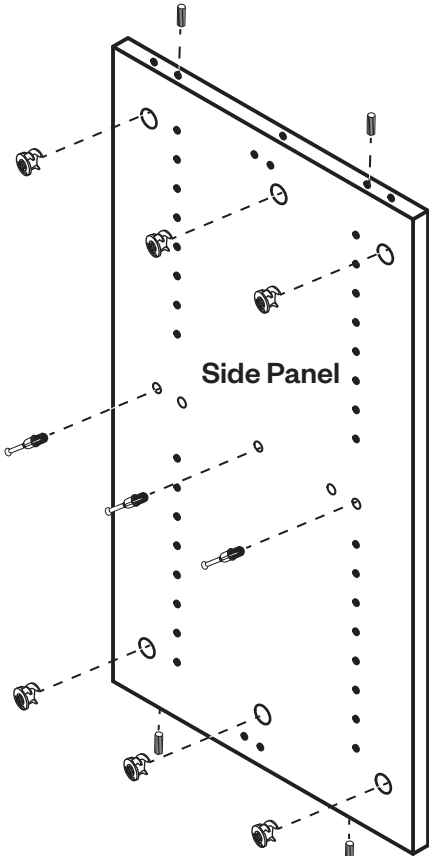
The DreamCart 2 utilizes a cam and post locking system.

Please review these general instructions before you begin.



1

Install **Cams**, **Posts**, and **Dowels** into **Side Panels** indicated below. Dowels go in inner most holes.

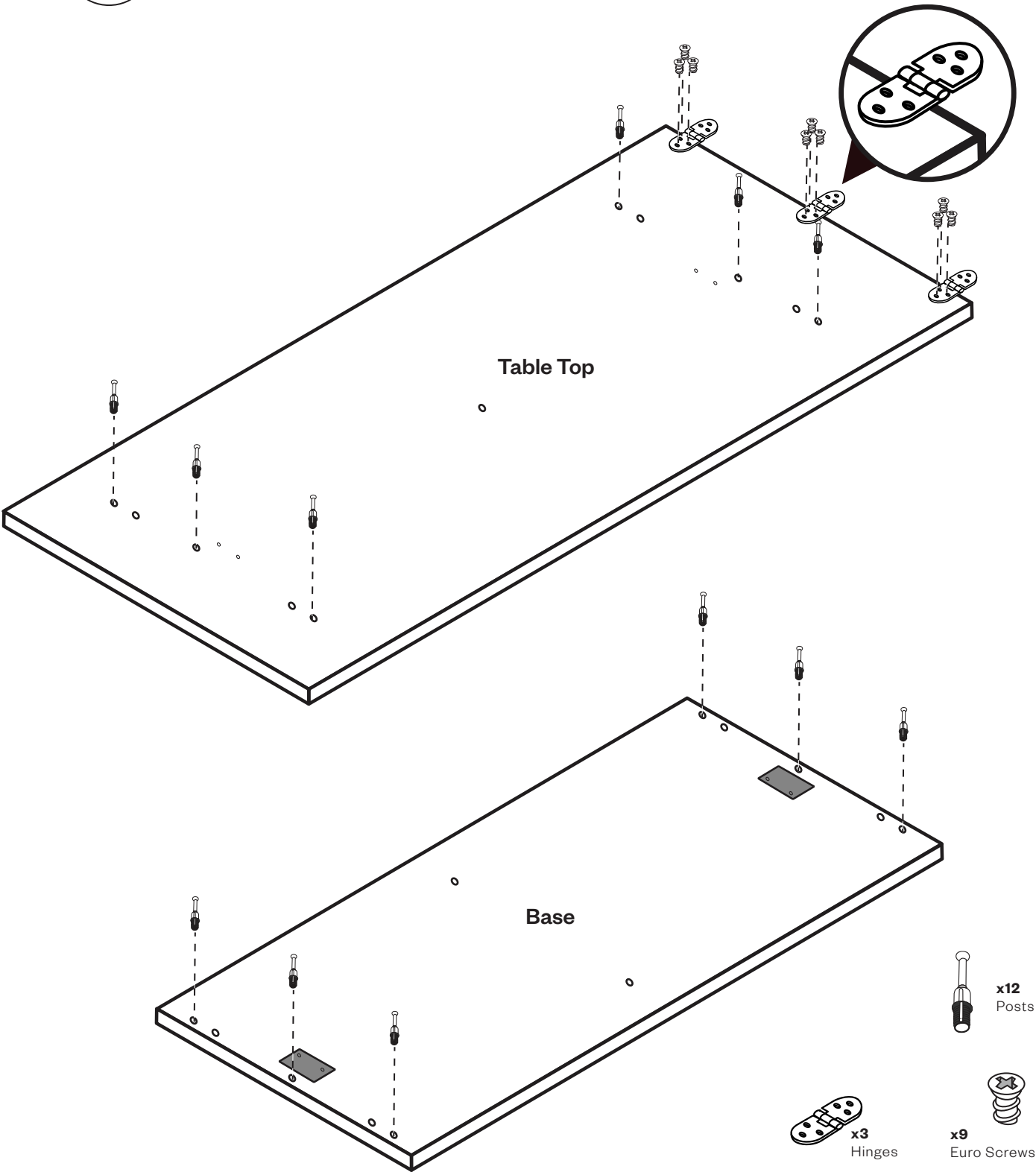


- x6 Posts
- x12 Dowel
- x18 Cams

TIP:
Build on a soft carpet or blanket to protect your table top.

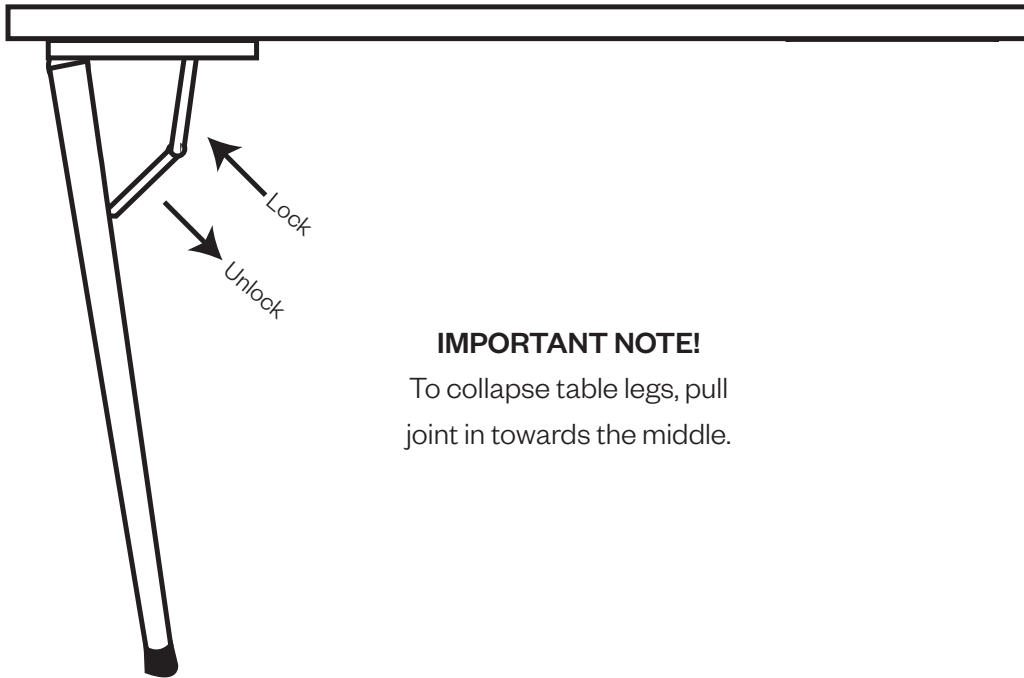
2

Install **Posts** into **Table Top** and **Base**. Install **Hinges** into **Table Top** indicated below.



TIP:
Knuckle of table hinge should face up.

TABLE OPERATION:



IMPORTANT NOTE!

To collapse table legs, pull joint in towards the middle.



IMPORTANT NOTE!

When Table Leg is collapsed, the hinge can extend out about 30 degrees to lock Leg against the Table. Push Hinge towards the table to unlock and to extend the table leg.

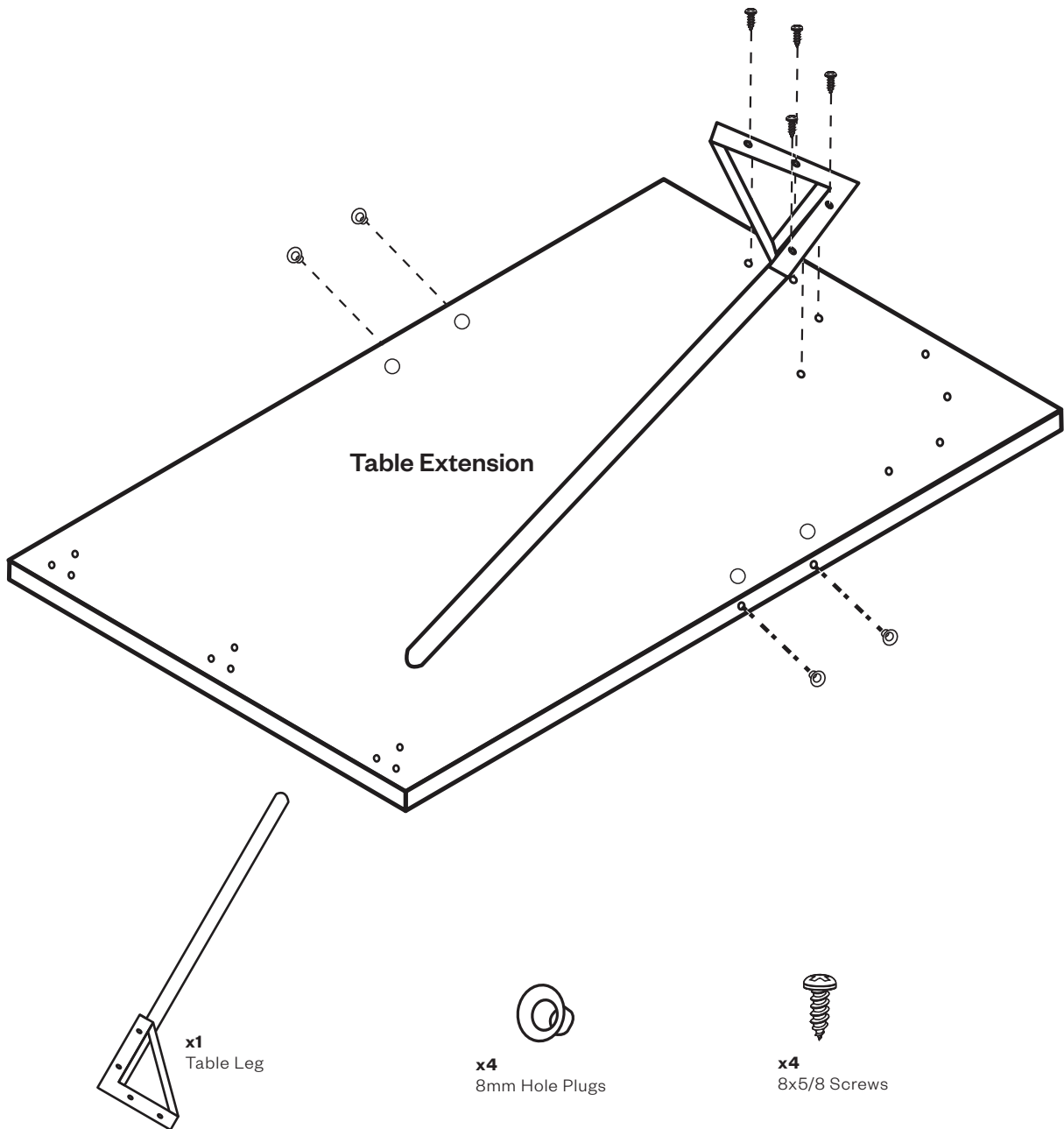
TABLE LEG ATTACHMENT:

Please note: There are two placement options for your Table Leg. If you are NOT attaching to the DreamBox 2, follow option 1. If you ARE attaching to a DreamBox 2, follow option 2.

OPTION 1: Use this option for maximum stability when **NOT** attached to a DreamBox.

3

Install **4 Hole Plugs** and **Table Leg** to your **Table Extension**.



TIP:

Do NOT overtighten screws.

OPTION 2: Must be attached to your DreamBox 2. This option gives you better access to your totes in the Side Box of the DreamBox 2.

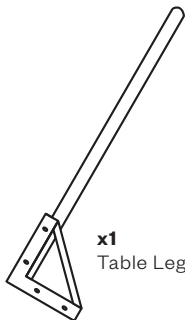
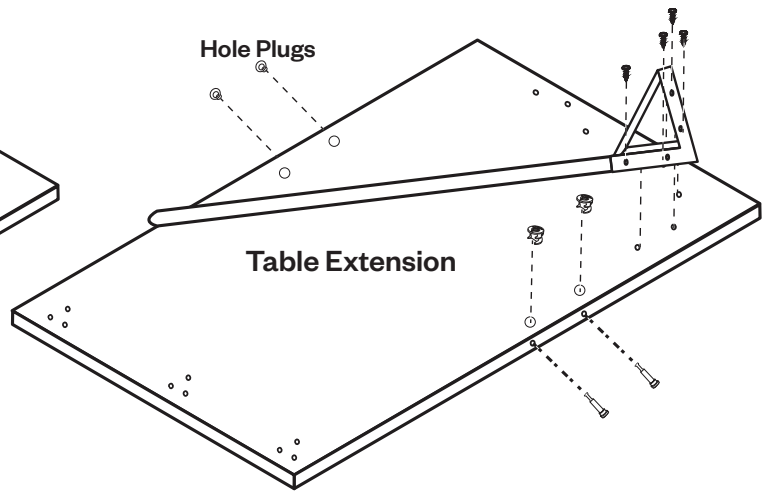
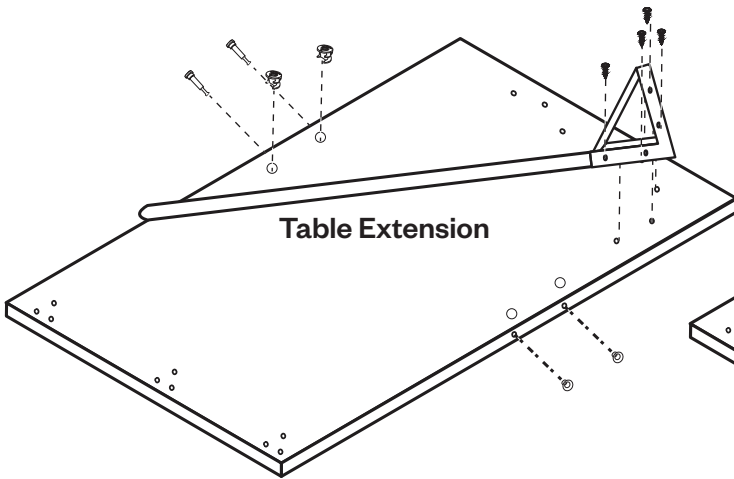
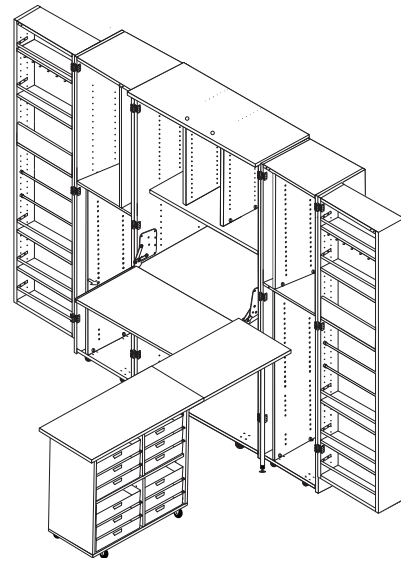
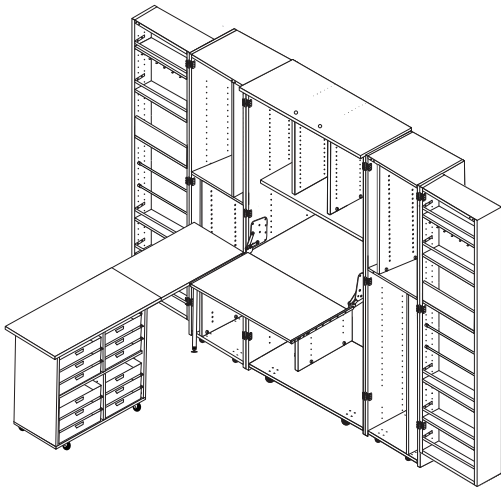
3

Install **Cams, Locking Posts, Hole Plugs,** and **Table Leg** to your **Table Extension**. Tighten **Cams**.

CHOOSE LEFT OR RIGHT CONFIGURATION

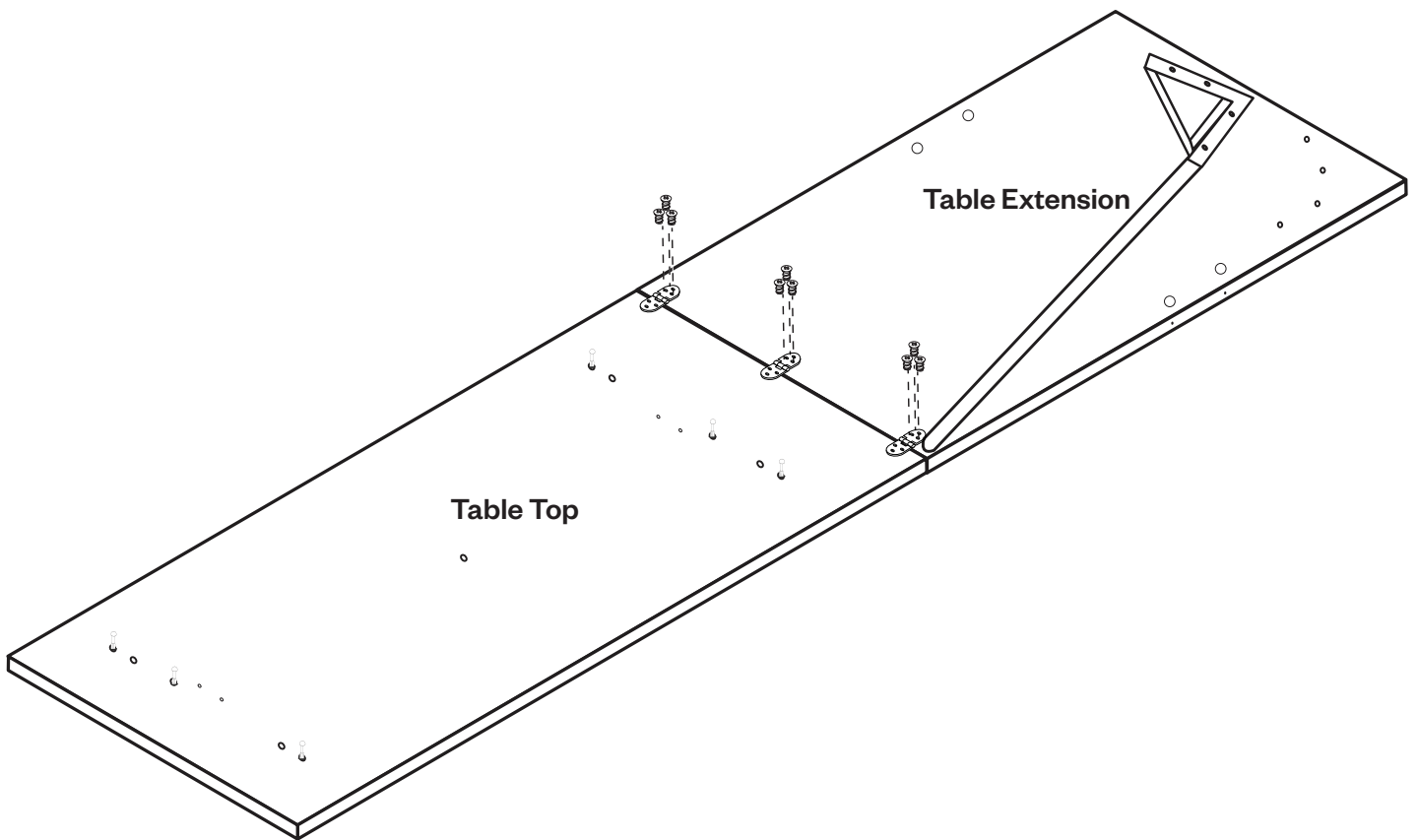
LEFT CONFIGURATION SHOWN:

RIGHT CONFIGURATION SHOWN:



4

Install **Table Extension** to the **Table Top** by attaching the hinges together using **Euro Screws**.

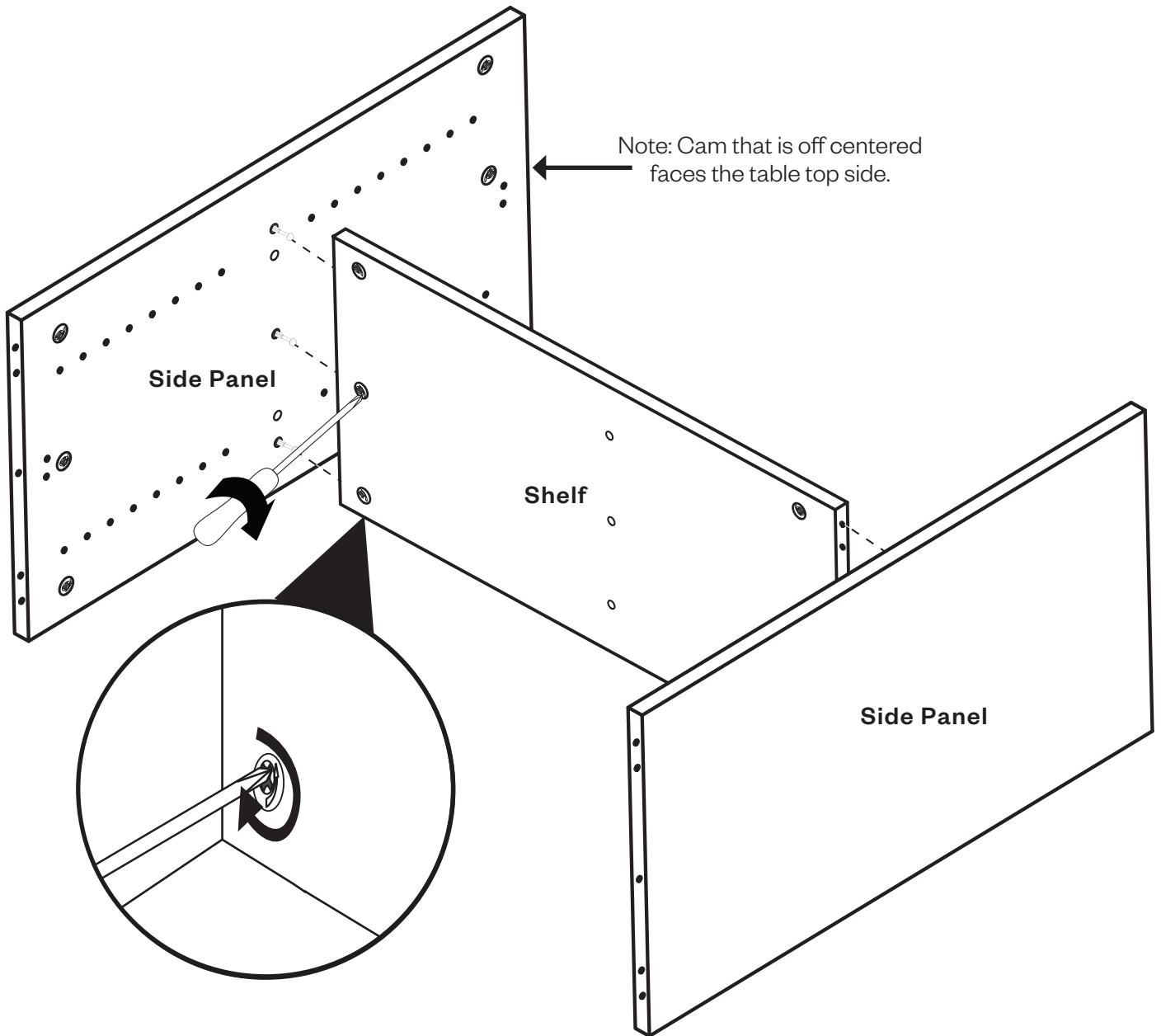


x9
Euro Screws

TIP:
Build on a soft carpet or blanket to protect your table top.

5

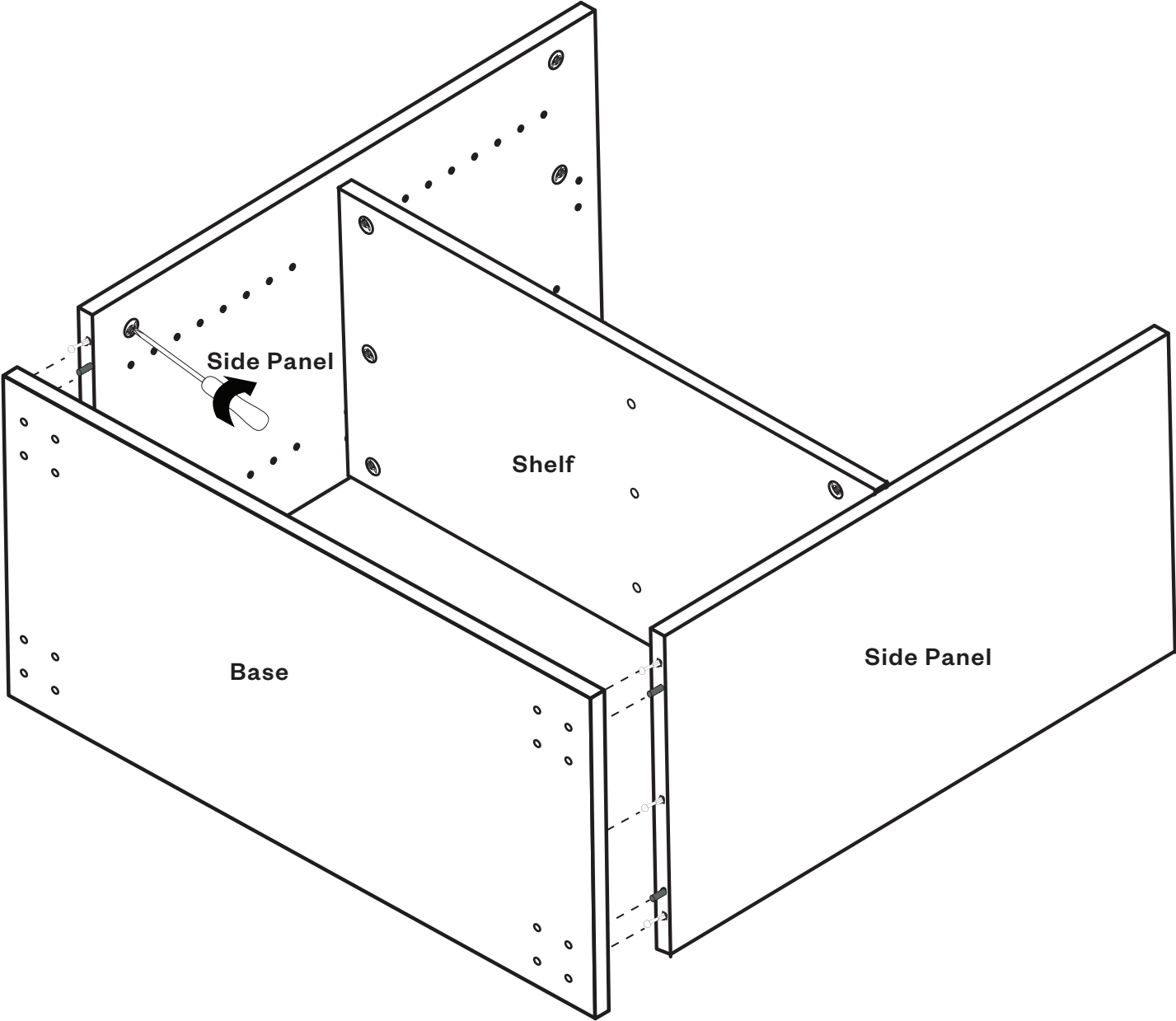
Align the **Shelf** to both **Side Panels**. Tighten **Cams**.



6

Align **Base** to both **Side Panels**. Tighten **Cams**.

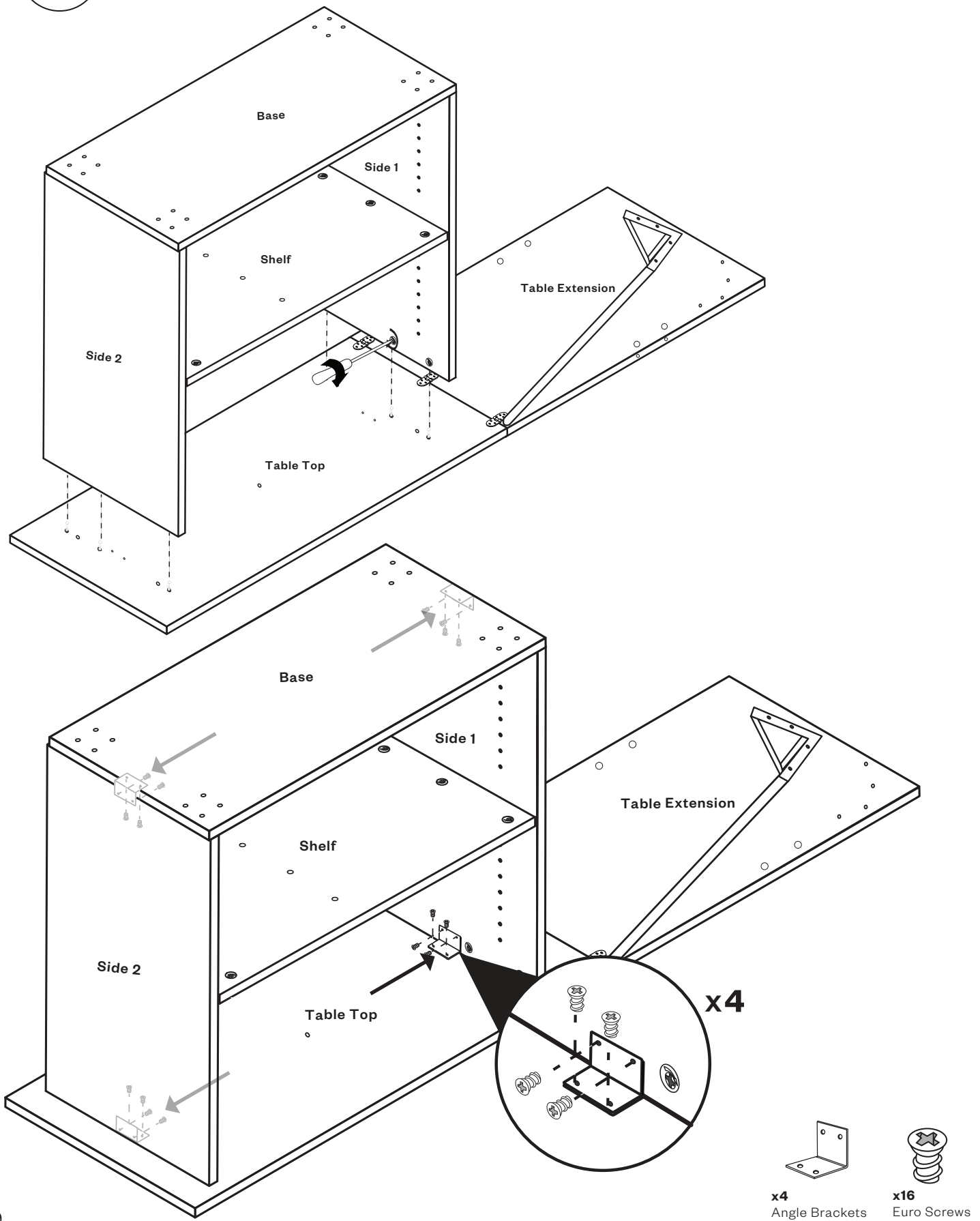
Tip: Please ensure the **Shelf** bottom with 3 holes is facing towards the **Base**.



HEY LOOK AT YOU, YOU'RE HALFWAY THERE!

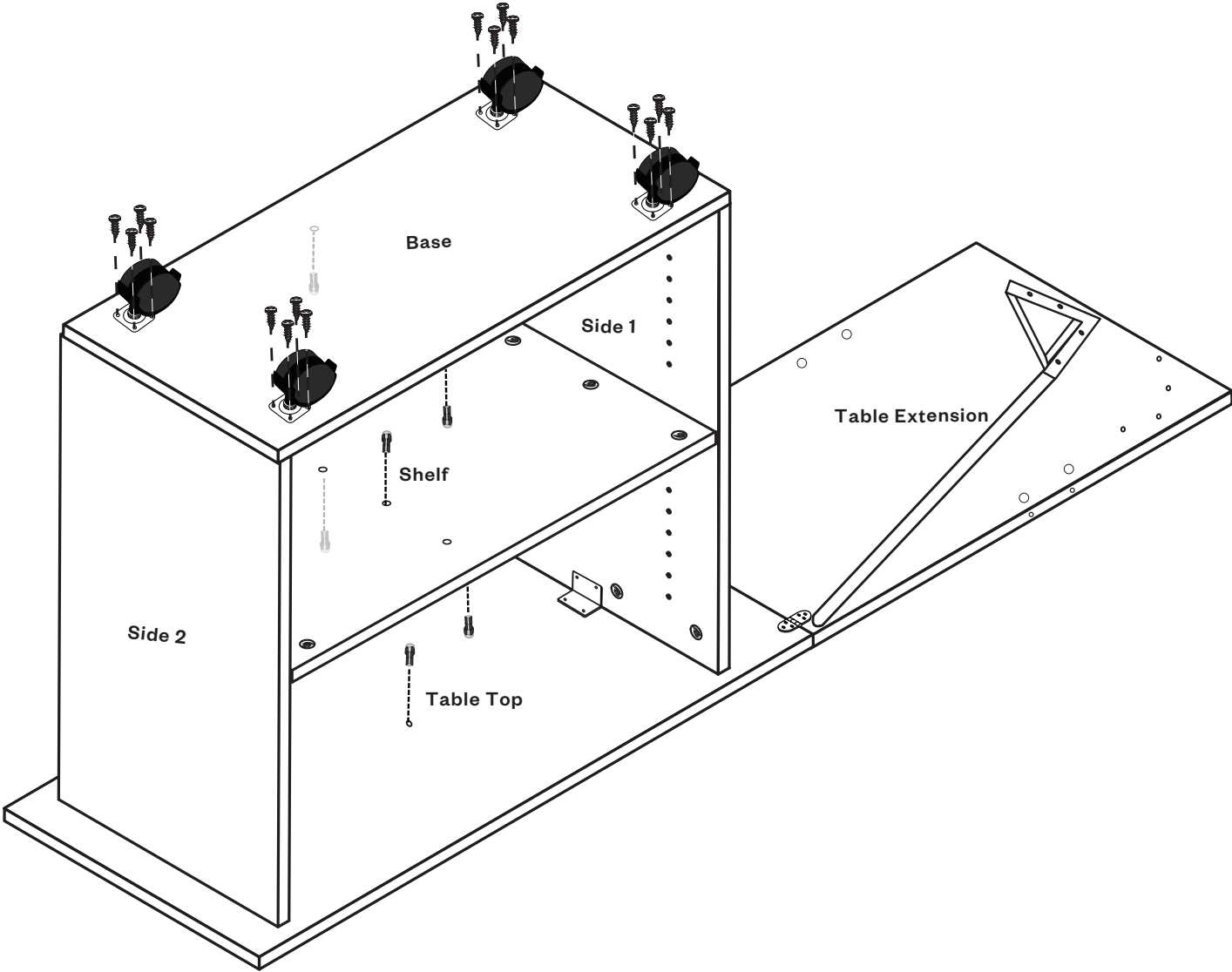
7

Install **Table Top**, and screw in **4 Angle Brackets** on both side pieces. Tighten **Cams**.



8

Install **Locking Wheels** to **Base** using **8x5/8 Screws**. Install **Connecting Bolts** on **Base, Shelf, and Table Top**.



x16
8x5/8
Screws



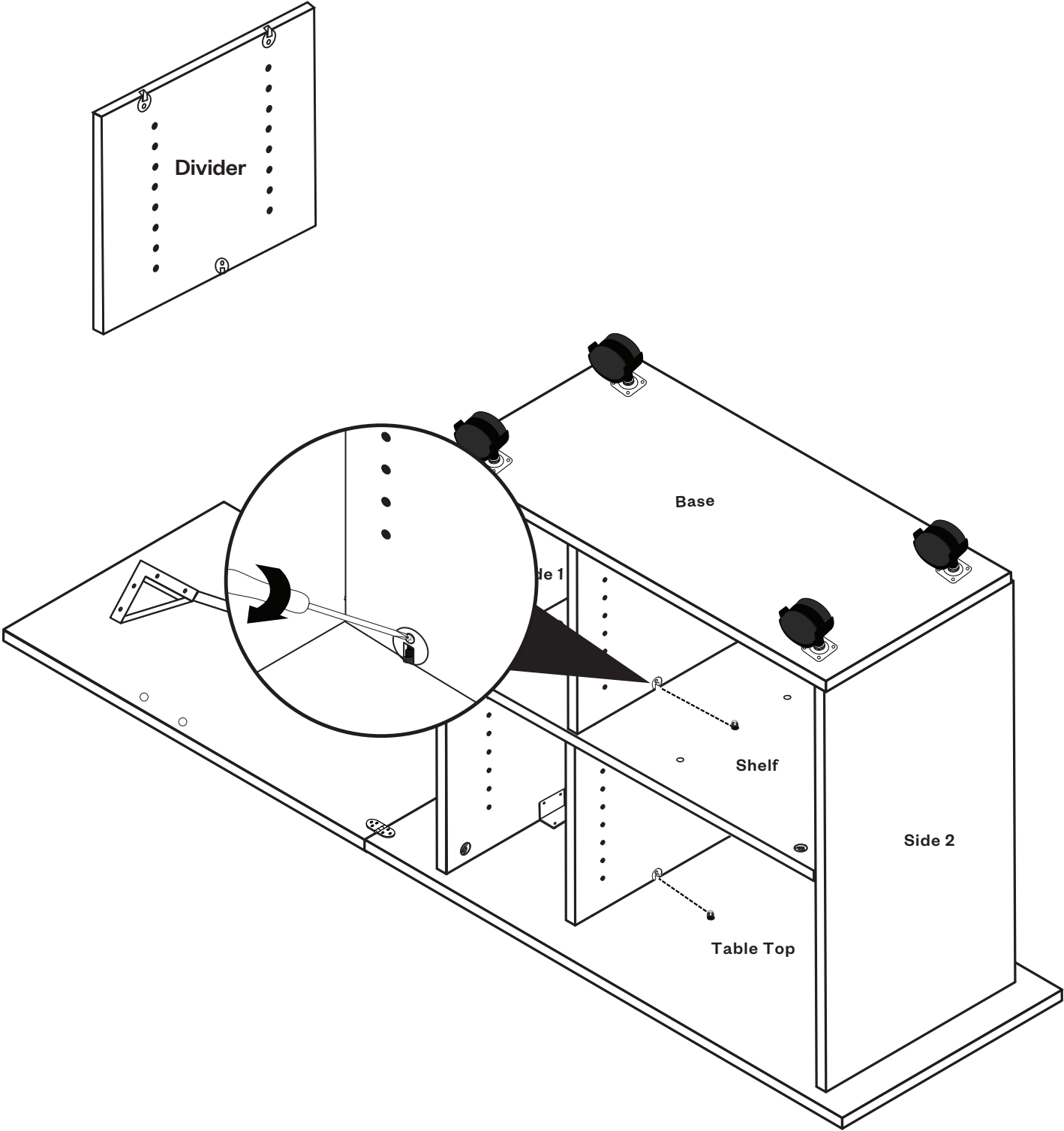
x4
Wheels



x6
Connecting Bolt

9

Install the **Dividers**. Tighten 6 **White Cams**.

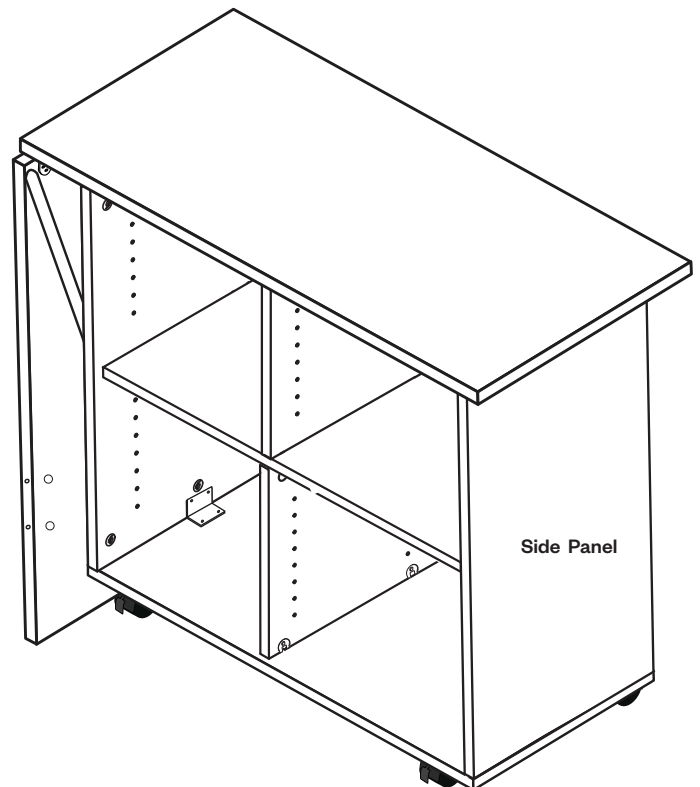
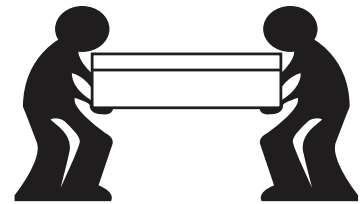
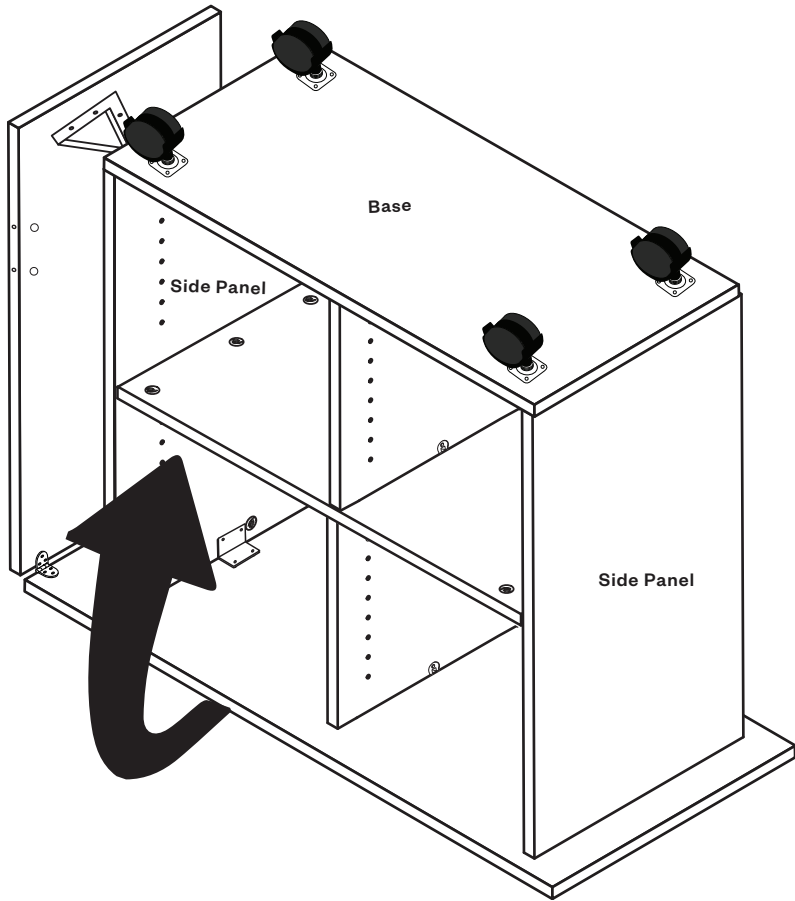




CAUTION: THIS STEP REQUIRES TWO PEOPLE.

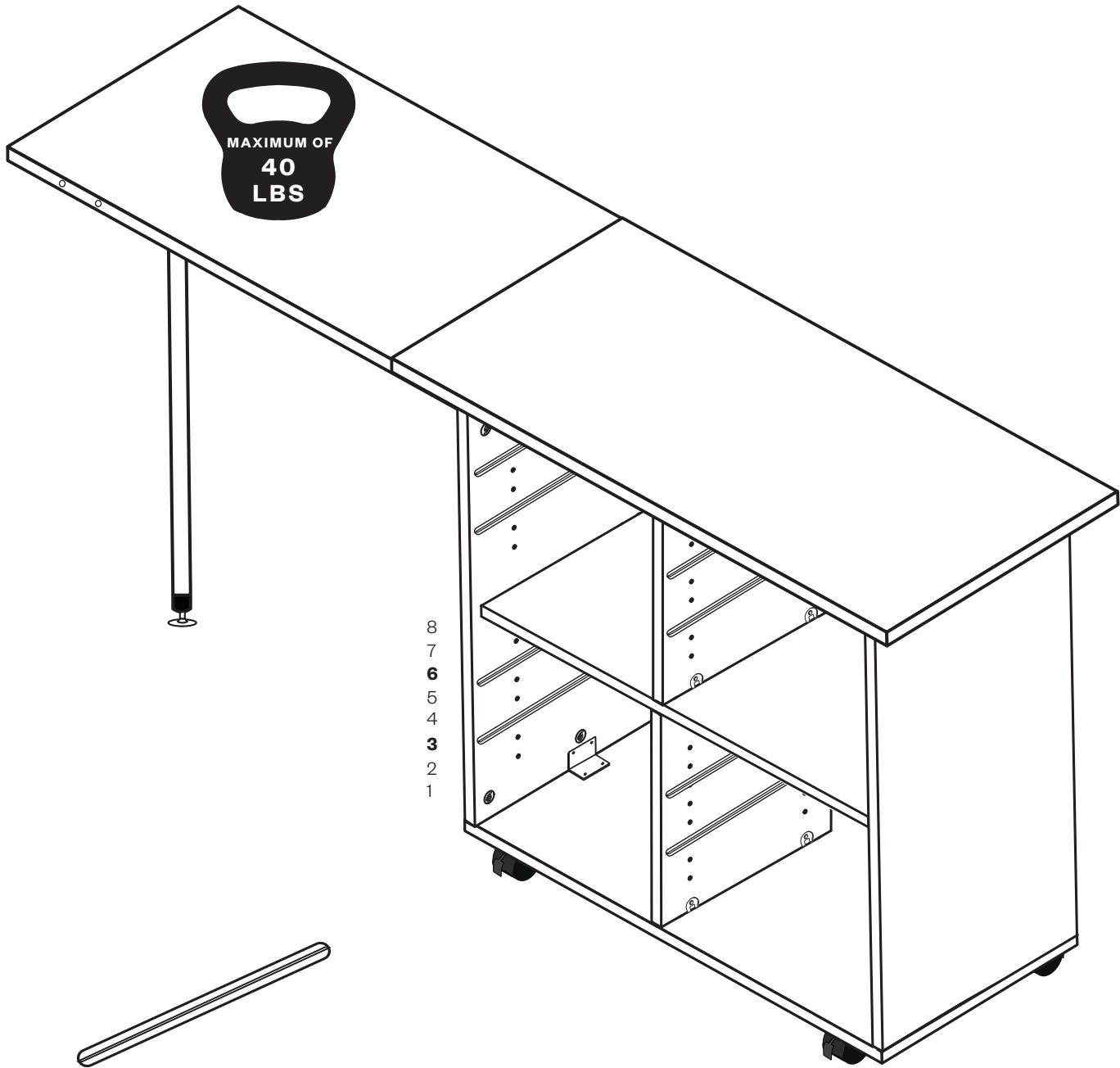
10

With the help of a friend, *carefully* flip over the DreamCart 2. Keep fingers clear of the gap between the table and DreamCart 2 to avoid pinching.



11

Install **16 Tote Tracks** into designated holes indicated below



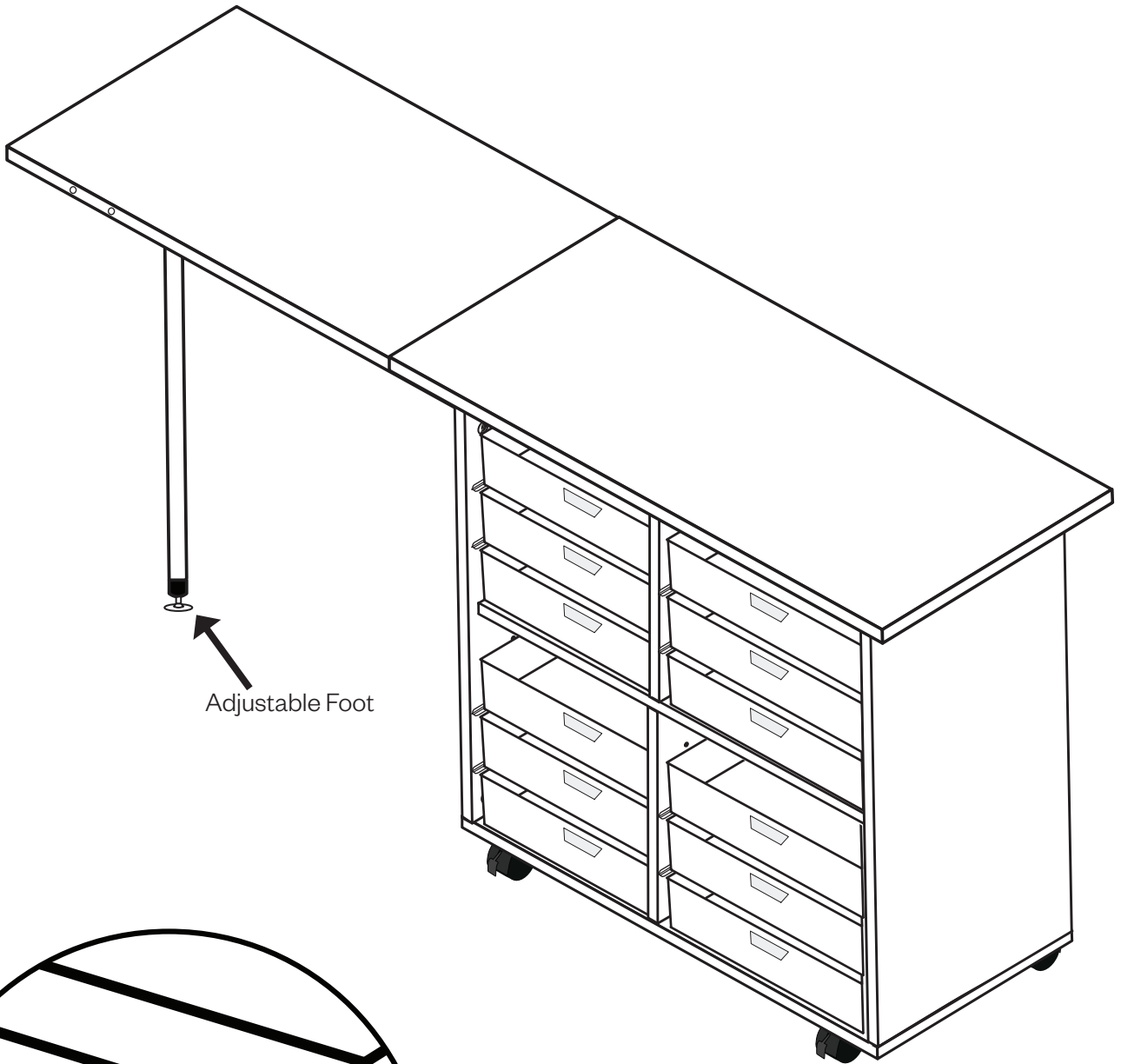
MAXIMUM OF
40
LBS

- 8
- 7
- 6**
- 5
- 4
- 3**
- 2
- 1

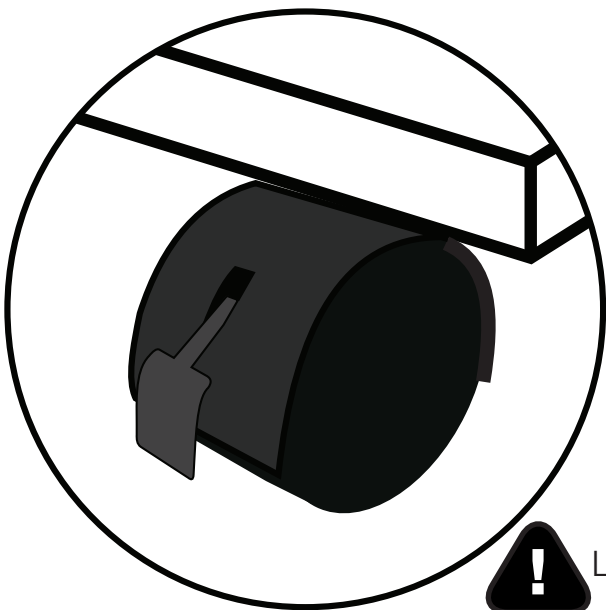
x16
Tote Tracks

12

Insert the **12 Large InView Totes** and fill with all your treasures.



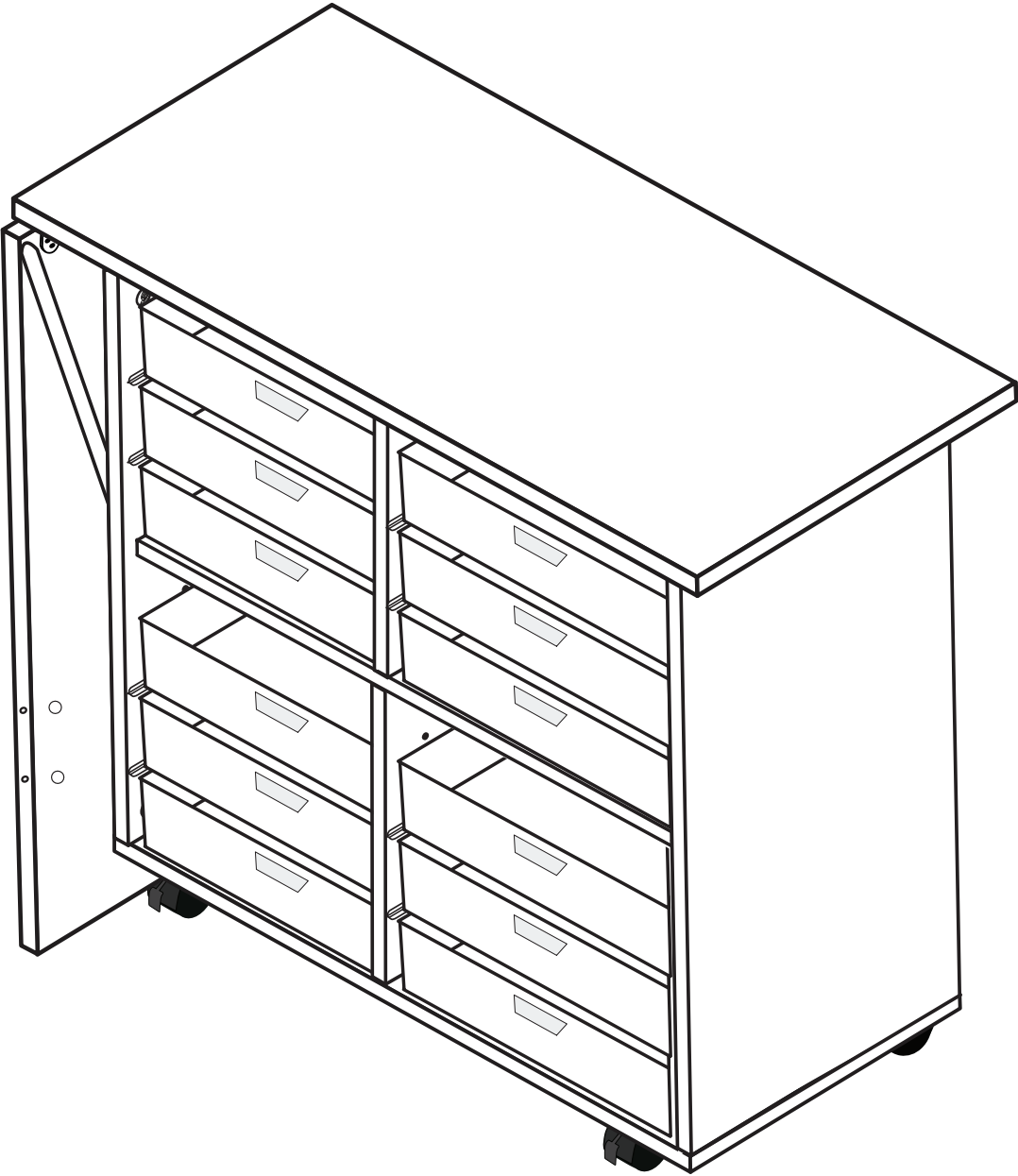
Adjustable Foot



Lock all 4 wheels in this position for safety and stability.

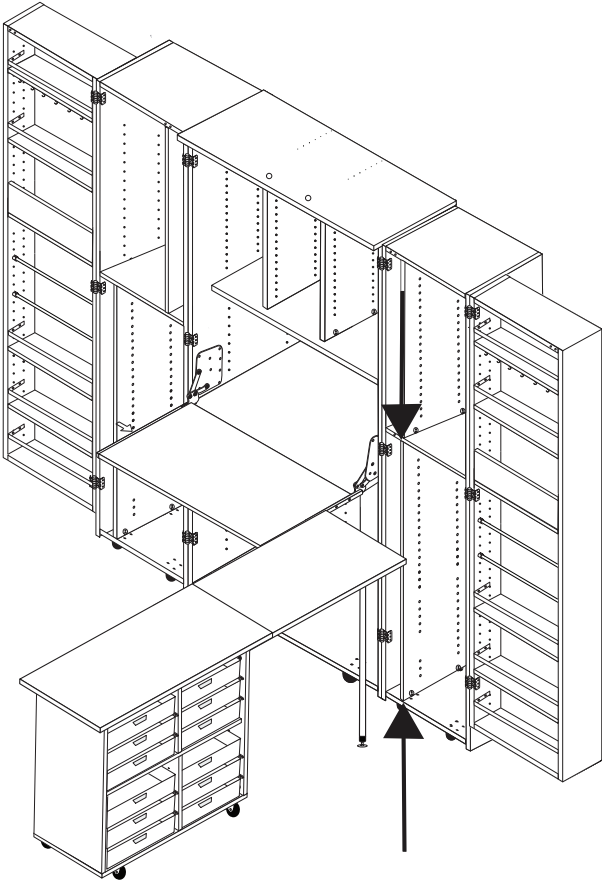
13

Unlock wheels and fold down your table into this position when moving the DreamCart 2.



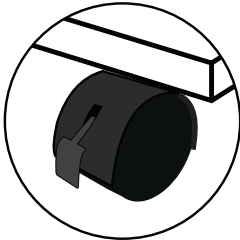
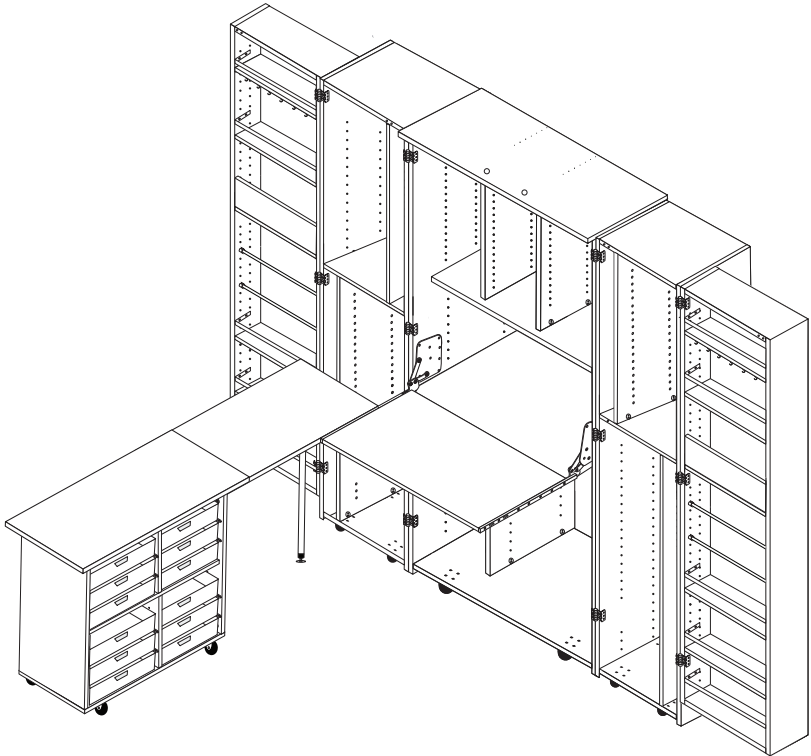
CONNECTING TO DREAMBOX 2

RIGHT SIDE CONFIGURATION:



Position Dream Cart to align with DreamBox 2 table. Locate the Locking Posts on the DreamCart and set them in the holes on the side of the DreamBox 2 table. Slide forward to lock.

LEFT SIDE CONFIGURATION:



Once your DreamCart 2 is locked into your DreamBox 2 table, don't forget to lock your wheels to increase stability of your DreamCart 2 table.

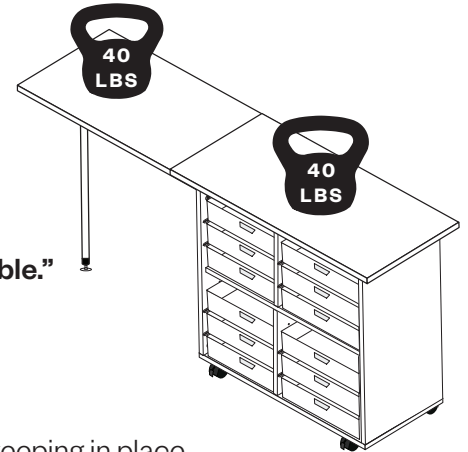
troubleshooting for the dreamcart 2

1 – “How much weight can my InView Totes hold?”

Our tracks are designed to hold InView Totes with up to 15 lbs of supplies. The InView Totes that are on the shelves can hold up to 30 lbs.

2 – “How much weight can I put on the table extension?”

The DreamCart 2 table is designed to hold a maximum of 40lbs in the center of each table.



3 - “The height of my DreamCart 2 table does not match my DreamBox table.”

The table foot is easily adjustable to match your DreamBox height.

4 – “My DreamCart 2 moves around when I’m trying to use it.”

You can easily lock and unlock your wheels as needed for moving around and keeping in place.

Locking the wheels also increases stability of the DreamCart 2.

5 – “What size cutting mats fit on my DreamCart 2?”

24”x18” cutting mats fit well on the main table of your DreamCart 2.

6 – “Can I customize the storage within my DreamCart 2?”

Yes! The totes and tracks are vertically adjustable and other Create Room accessories can be integrated to customize your storage space. The upper divider can also be removed for storing larger items.



yipee!

YOU'VE DONE IT.

Now it's time to fill up your new DreamCart 2 with all your crafting goodies.

Remember to share pictures of your crafts and craft space with us on Facebook @CreateRoomFamily.

warranty

IMMEDIATE INSPECTION REQUIRED:

Upon receiving your Create Room furniture, promptly inspect the package for any external or concealed damage. Report any visible damage to the delivery driver and contact our Customer Service for both freight and parcel deliveries. For concealed damage, notify us within 5 business days with photos to ensure timely support.

30-DAY COVERAGE FOR ORDER ACCURACY:

If your order has missing or incorrect items, let us know within 30 calendar days of delivery. We want to ensure your crafting setup is complete and ready for use.

1-YEAR MANUFACTURING DEFECT WARRANTY:

This warranty covers manufacturing defects affecting use and assembly for a year from delivery. If you run into issues with part quality, including holes drilled wrong or edge banding flaws, we'll provide replacement parts.

PRE-ASSEMBLED SECTIONS SUPPORT:

For pre-assembled furniture parts requiring replacements, we cover individual parts. Our Customer Service team is available to guide you through the replacement process, offering detailed instructions or service ideas.

WARRANTY EXCLUSIONS:

- Damage from improper assembly, misuse, or accidents
- Normal wear and tear
- Shipping damage after the initial inspection period
- Not following instructions for assembly, use, or safety
- Non-manufacturing defect claims made after 30 days from delivery
- Environmental damage or inadequate storage conditions
- Damage to personal items from misusing Create Room products
- Use of wheeled furniture on unsuitable surfaces
- Accessories not part of the integral furniture package
- Secondhand purchases or gifts
- Theft
- Minor cosmetic variances

CUSTOMER SERVICE AND SUPPORT:

Contact our Customer Service for any concerns or help at **1 (801) 226-2686**, customerservice@createroom.com, or through **live chat on createroom.com**.