



CREATE ROOM.

oh happy day

YOU'VE RECEIVED THE PRE-BUILT DREAMBOX 2!

You are minutes away from crafting heaven. Just a few simple steps and you'll be ready to move in. Should you need any assistance, our customer service team is the friendliest bunch and would be delighted to help you!



CUSTOMERSERVICE@CREATEROOM.COM



WWW.CREATEROOM.COM



USA / CANADA: 801-226-2686 (M-F 9AM-5PM MST)
UK/EU: +49 40 69632955 OR +44 7759 335868

We are excited for you to enjoy your inspiring new workspace and can't wait to see pictures! Share your photos on Facebook and Instagram and don't forget to tag @createroomco.

Happy crafting!

Pre-Built DreamBox 2 Assembly Instructions
(Proprietary patented product and instructions. Do not copy or distribute.)

U0424



REVIEW SAFETY INSTRUCTIONS BEFORE PROCEEDING

Dear Creator,

The safety of you and your loved ones is our number one priority. Please take a moment to review the following safety instructions before you begin assembling your DreamBox. **Failure to follow these procedures could result in serious or fatal injuries.**

- Keep kids and pets out of the building zone and away from the DreamBox until the box is filled and the Safety Brackets have been attached to the wall.
- Keep the DreamBox in the Enclosed Shape (indicated in instructions) and the table closed during the assembly and move in process.
- Add Stabilizers to Center Box and Side Boxes as indicated in the instructions to provide stability support. Stabilizers can be removed, if desired, once the Safety Brackets have been attached to the wall.
- Be aware of weight distribution. Add heavy items to the bottom of the Center Box and Side Boxes first.
- Ensure all DreamBox wheels are in the forward facing position when stationary.
- Follow DreamBox table weight limit of 50 lbs.
- Do not add weight to the front of your Deluxe Crown.
- Use the included Safety Kit with Safety Brackets to properly attach the DreamBox to your wall.

Thank you for your attention. Please do not hesitate to reach out with any questions or concerns.

Sincerely,

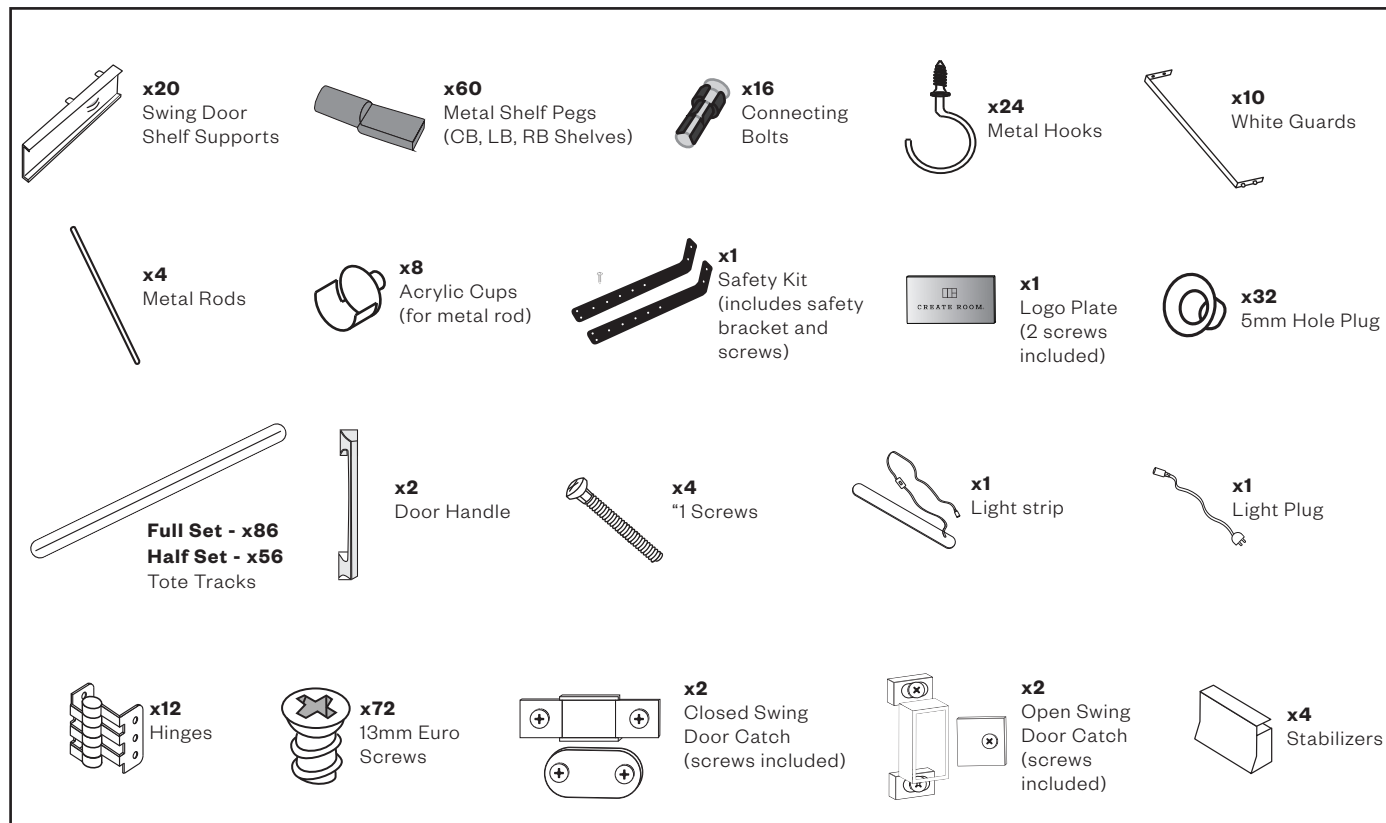
The Create Room Team
customerservice@createroom.com
801-226-2686



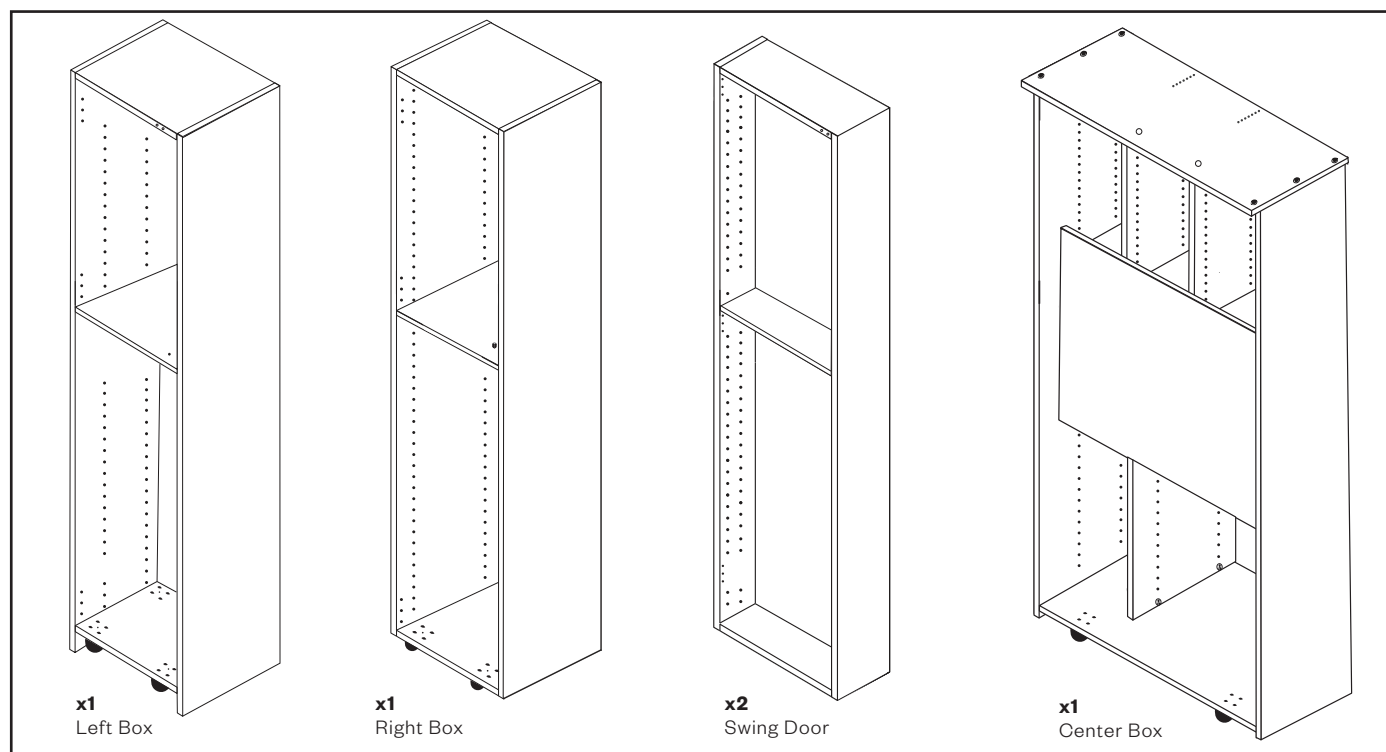
Instruction Video

pre-built dreambox 2

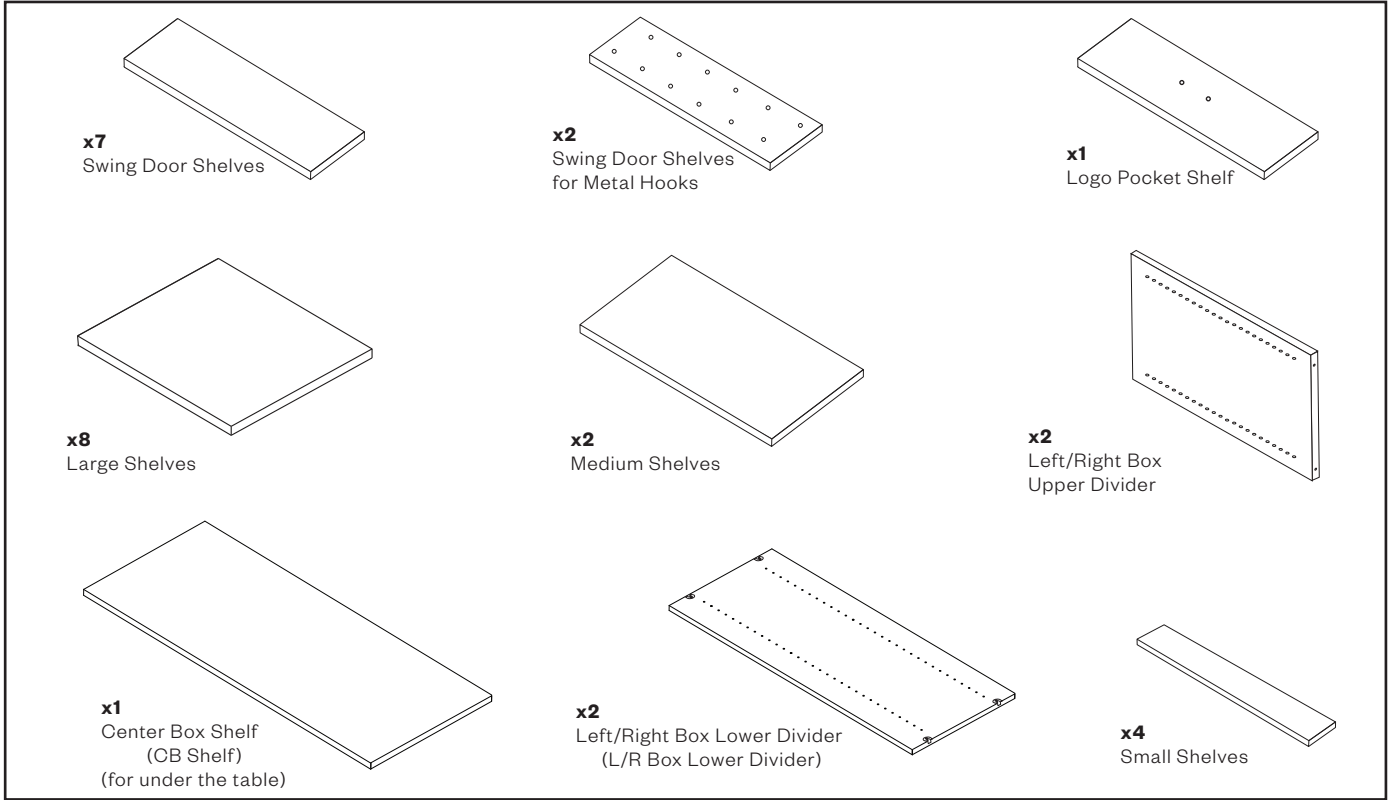
INCLUDED HARDWARE:



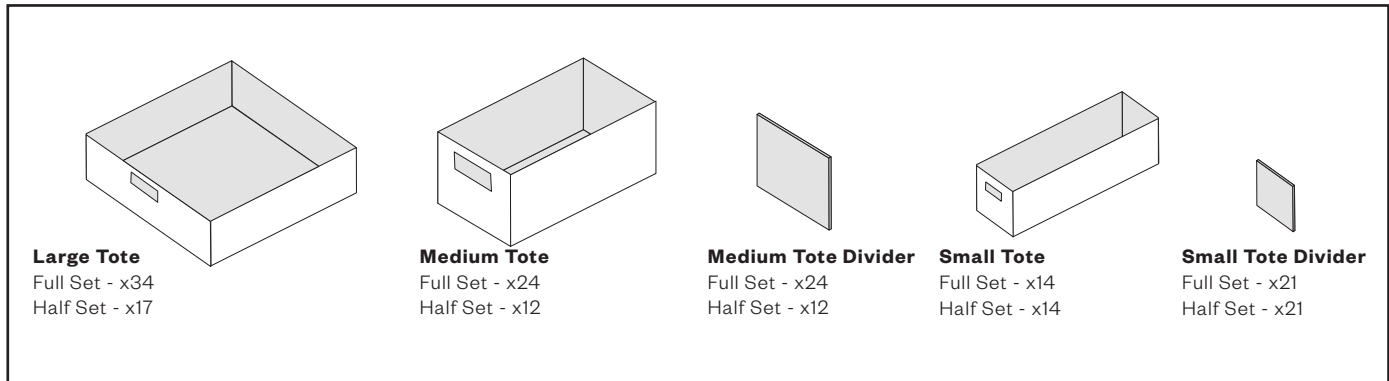
PARTS INCLUDED:



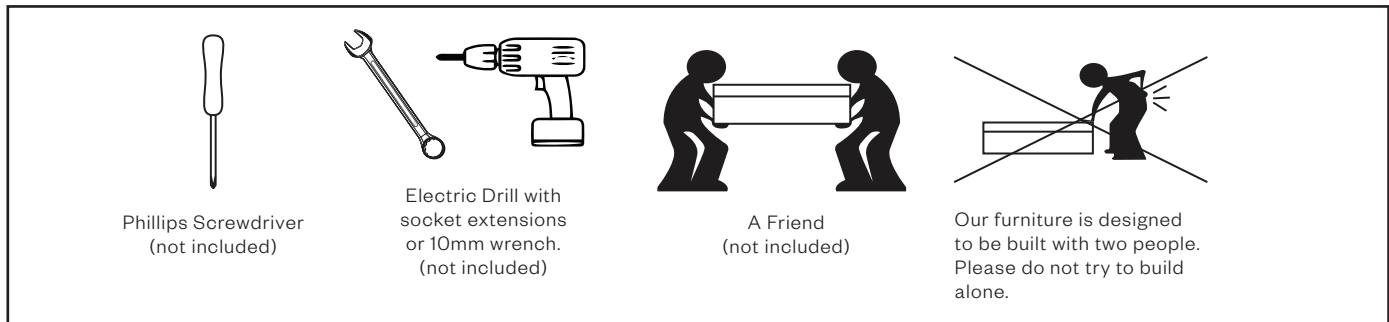
PARTS INCLUDED:



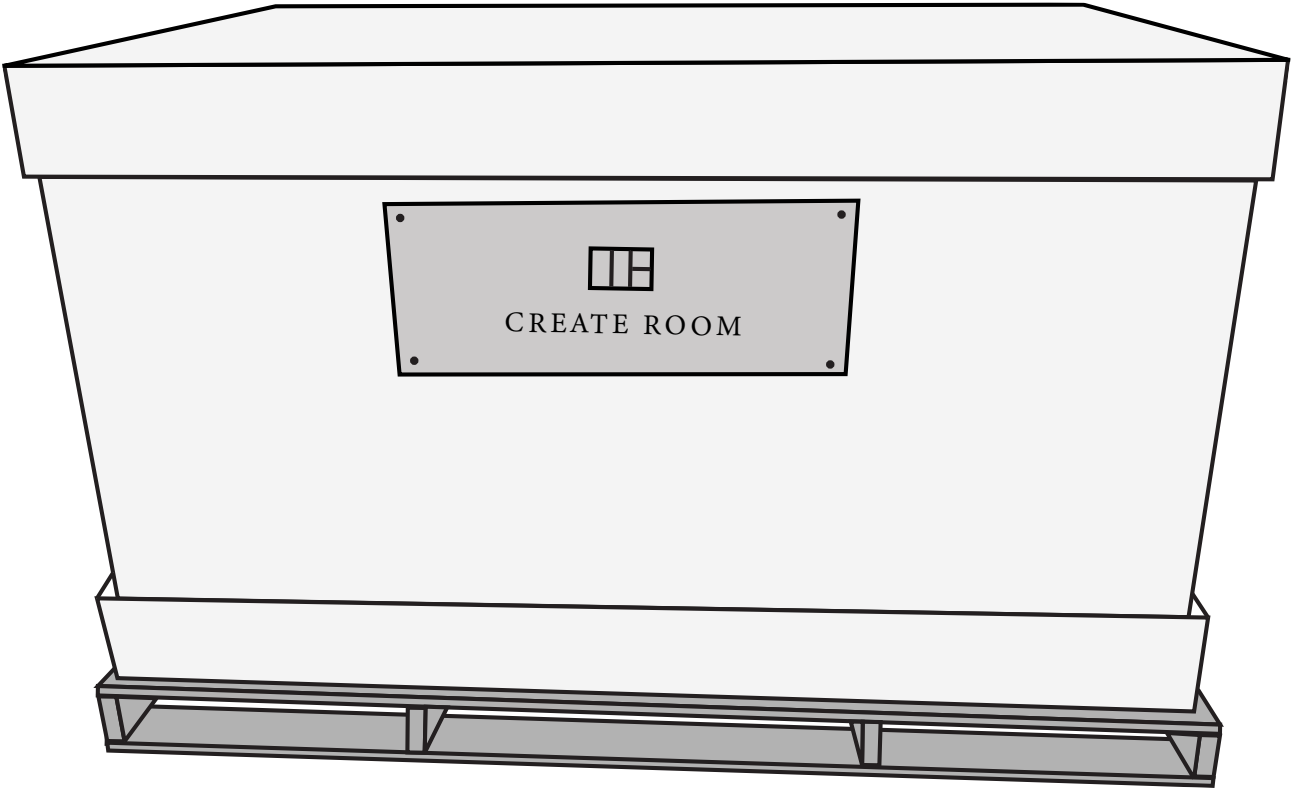
INVIEW TOTES:



TOOLS YOU'LL NEED:

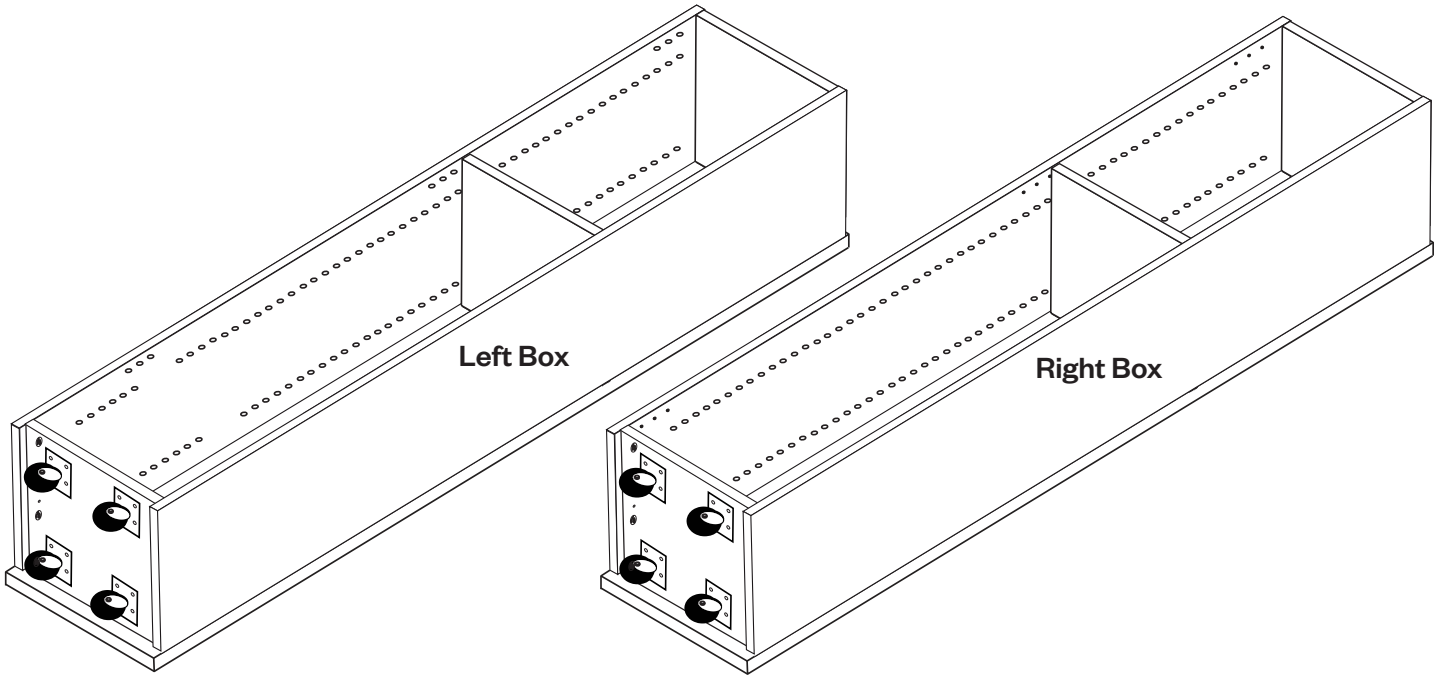
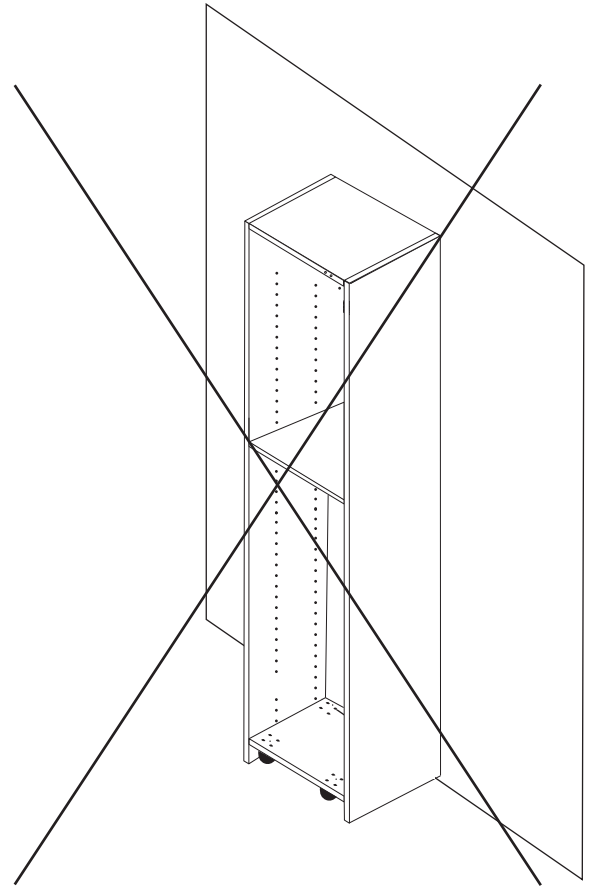


Before lifting any wood components please remove all cardboard, totes, and other items to reduce weight while lifting.

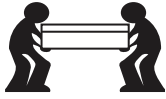


1

Remove ALL contents from Left & Right Boxes before attempting to lift. With two people, carry the Left & Right Boxes by the ends into the room where you will be setting it up. Lay the boxes on their backs on a soft surface, like a blanket or carpet, to protect the doors.



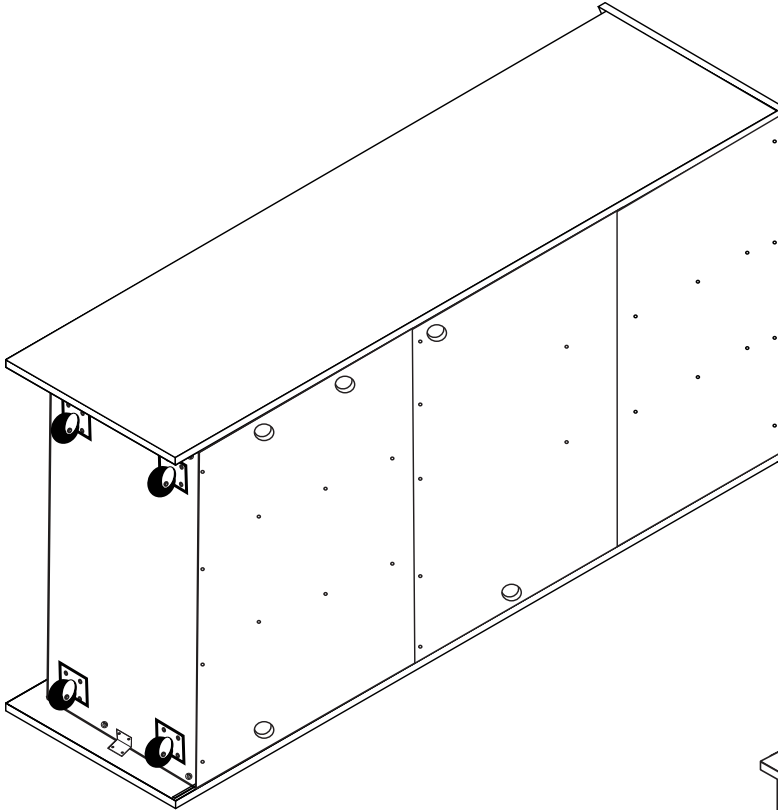
TIP:
Do not prop wood components against walls. Lay on a flat surface instead.



CAUTION: This step requires two people. Weighs 160lbs/72.5kg.

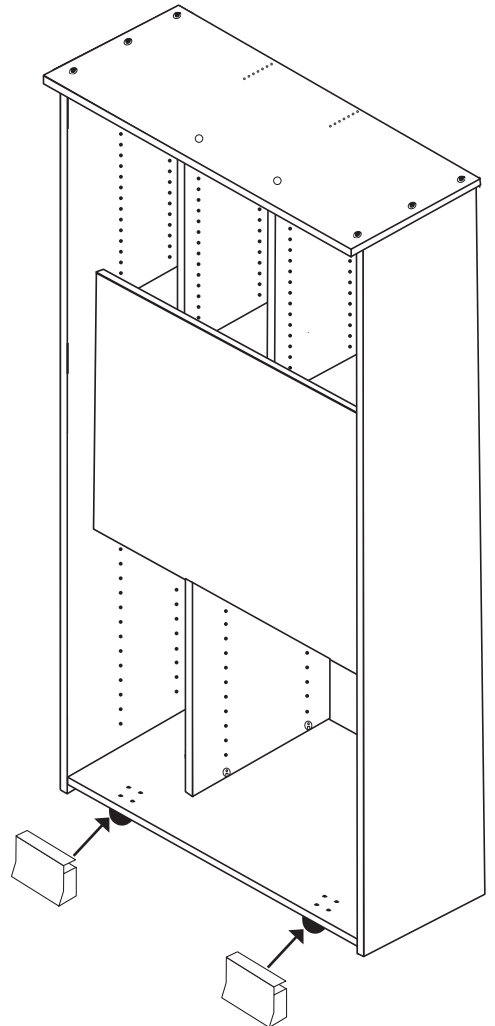
2

Carefully lift DreamBox center into desired room.



3


Stand up **Center Box**. Leave table in upright position until build is complete. Install 2 **Stabilizers** before moving on to next steps.

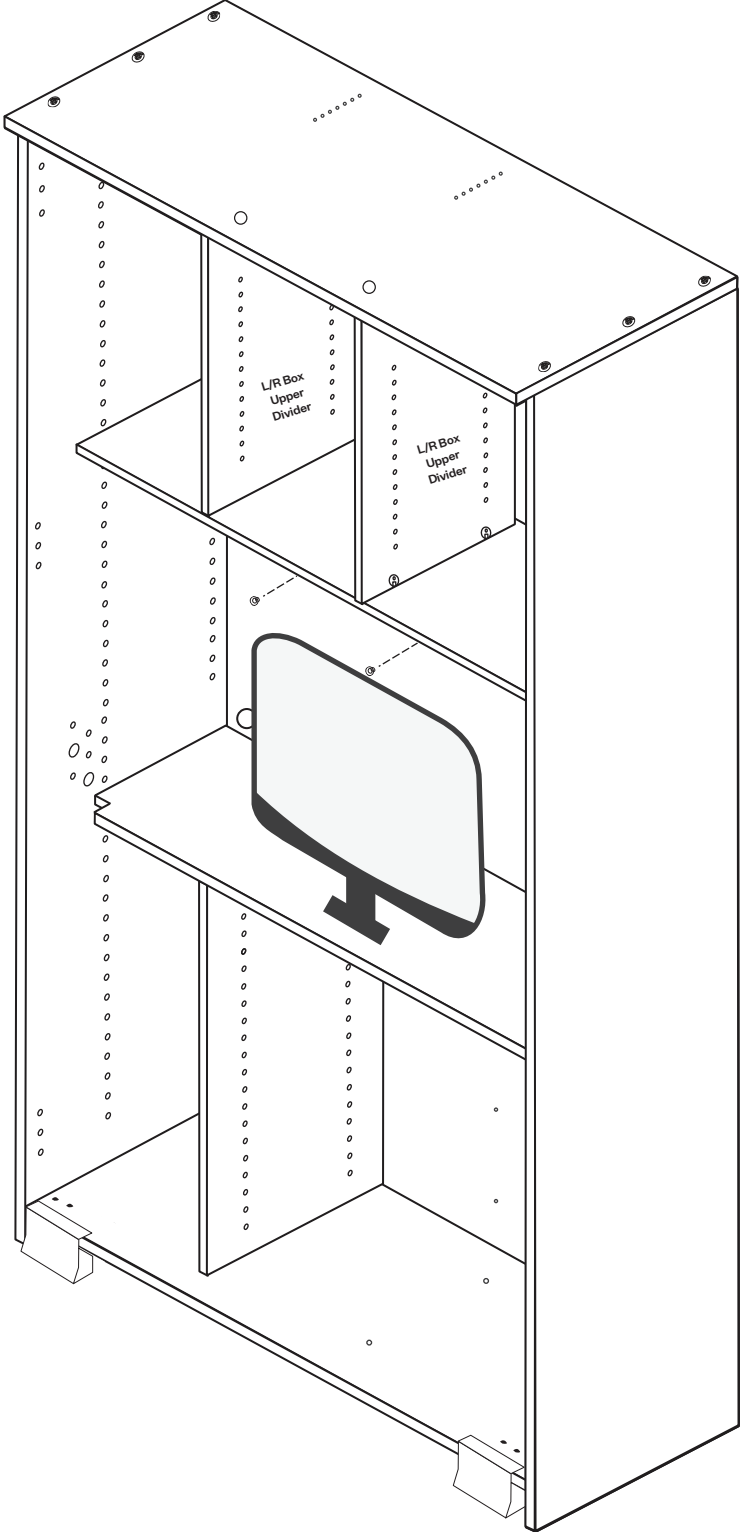


4

Skip this step if you did not purchase the Short Divider Accessory Kit.

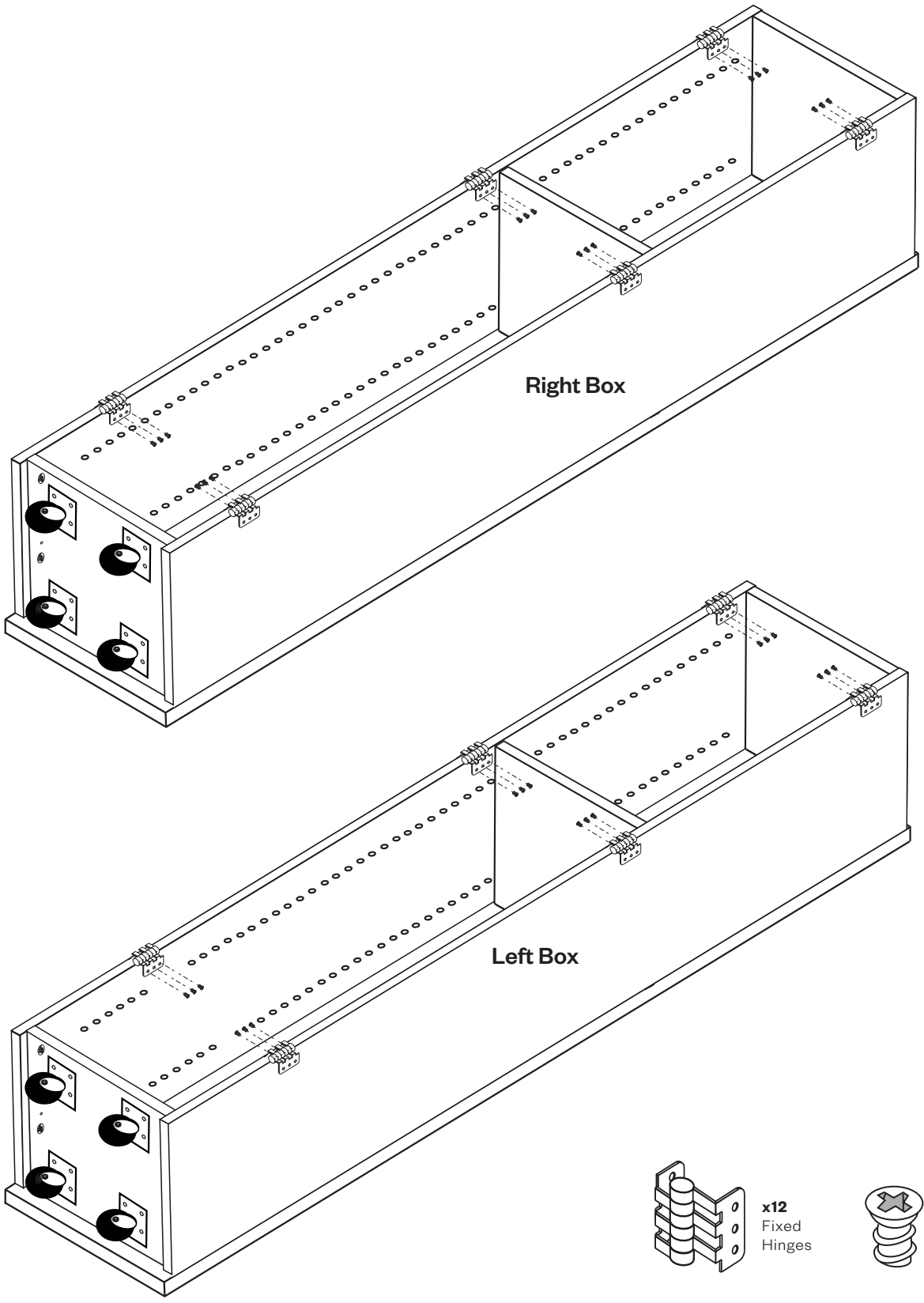
Use the **5 mm hole plugs** to cover the 2 holes.

 **x2**
5mm Hole Plugs



5

Install **12 hinges** using **36 Euro Screws**.



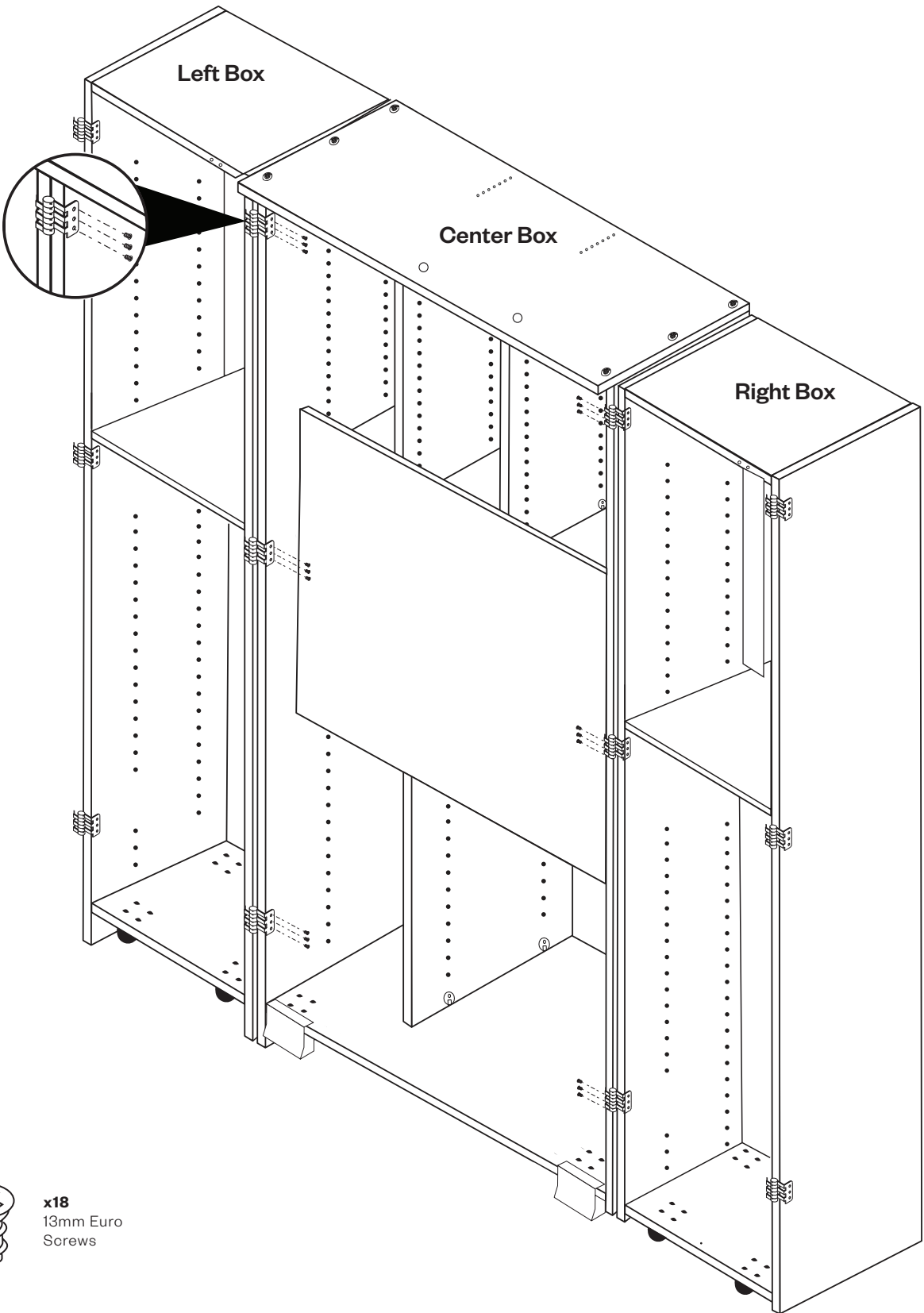
x12
Fixed
Hinges



x36
Euro Screws

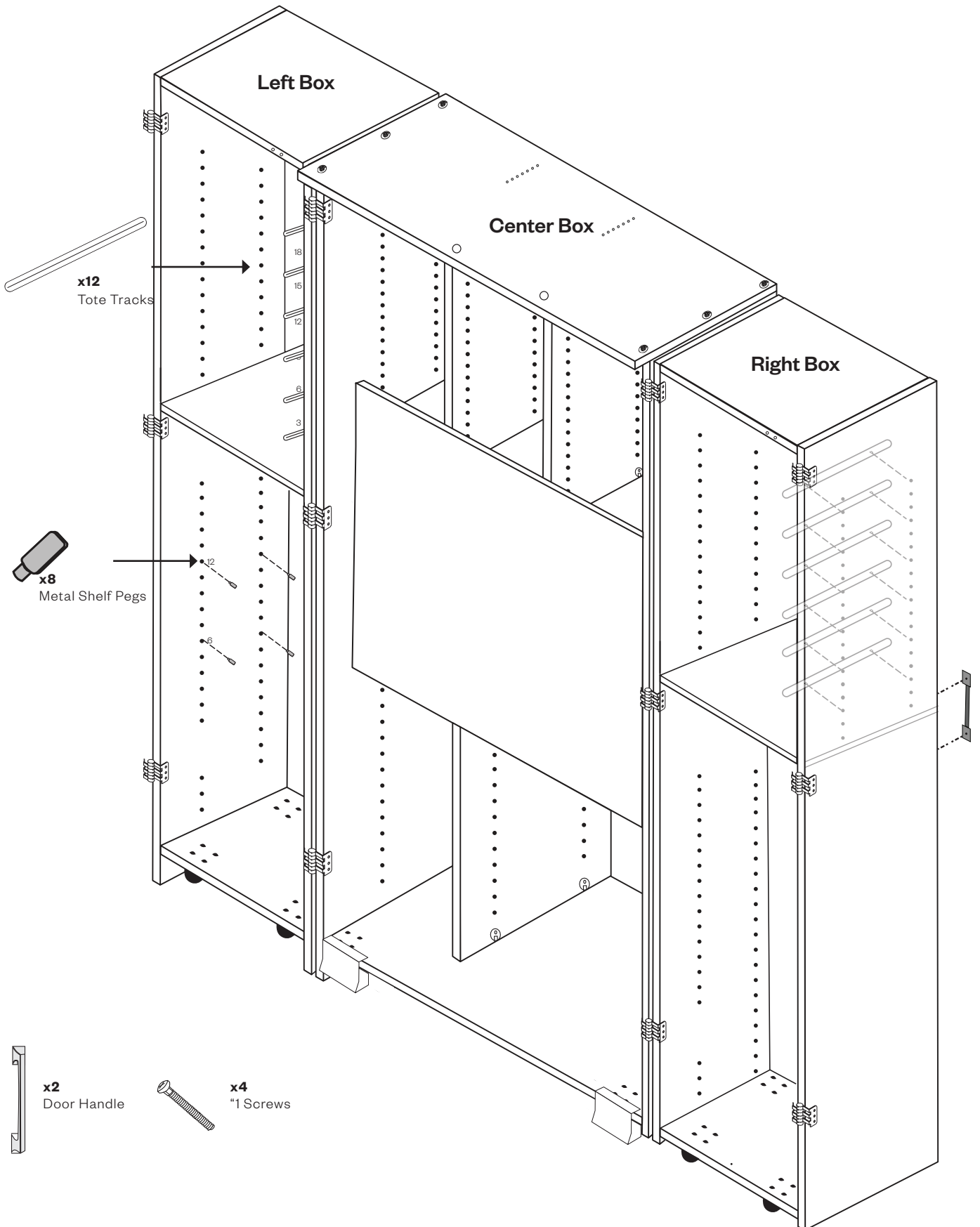
6

Attach **Left and Right side boxes** to the **Center Box** using installed hinges and **18 euro screws**.



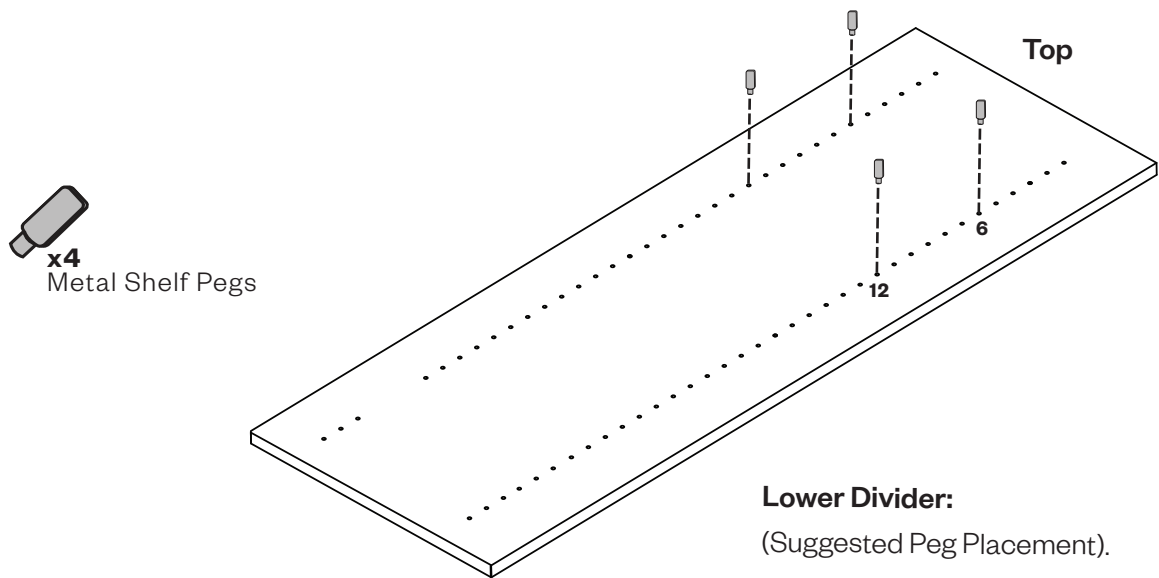
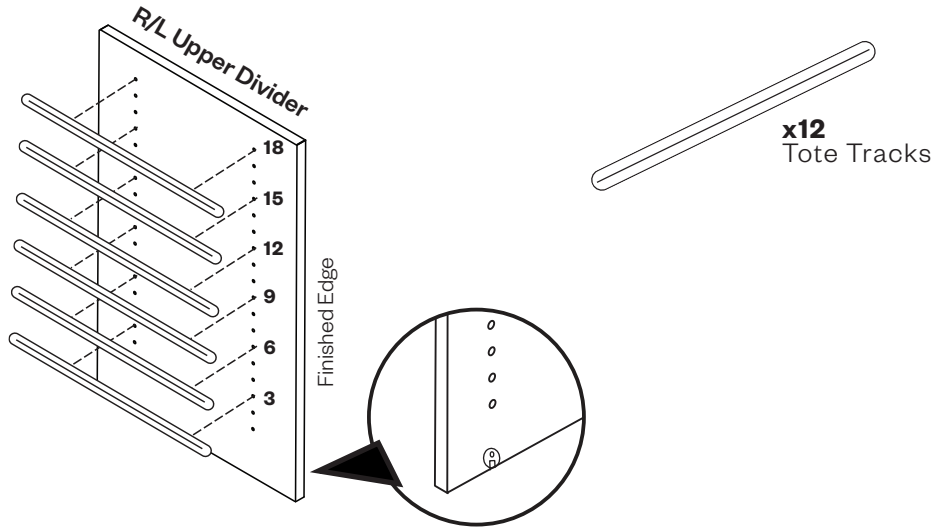
7

Install **Tote Tracks**, **Door Handles**, and **Metal Shelf Pegs** to corresponding holes.



8

Install **Tote Tracks** into **Upper Divider**. Install tracks on the side *WITHOUT* the white cams.
Install **Metal Shelf Pegs** on **Lower Divider**. Install pegs on the side *WITHOUT* the white cams.

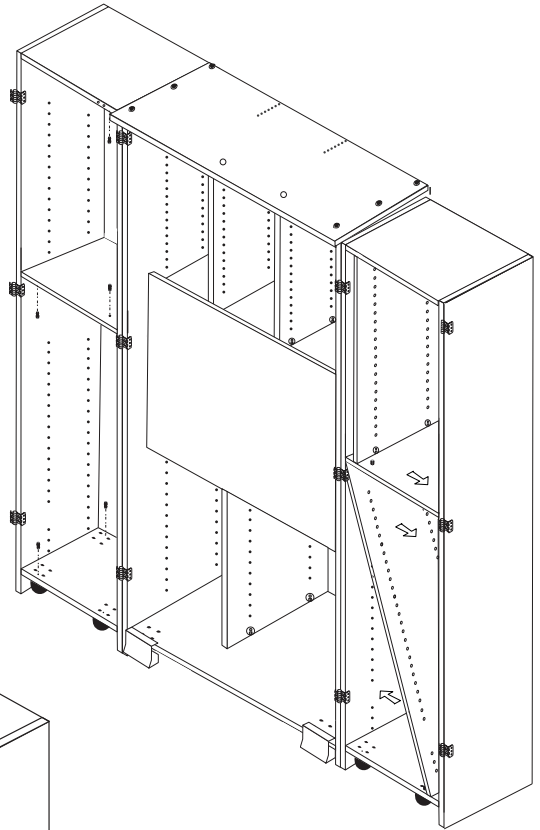


9

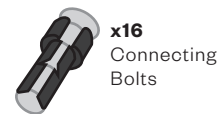
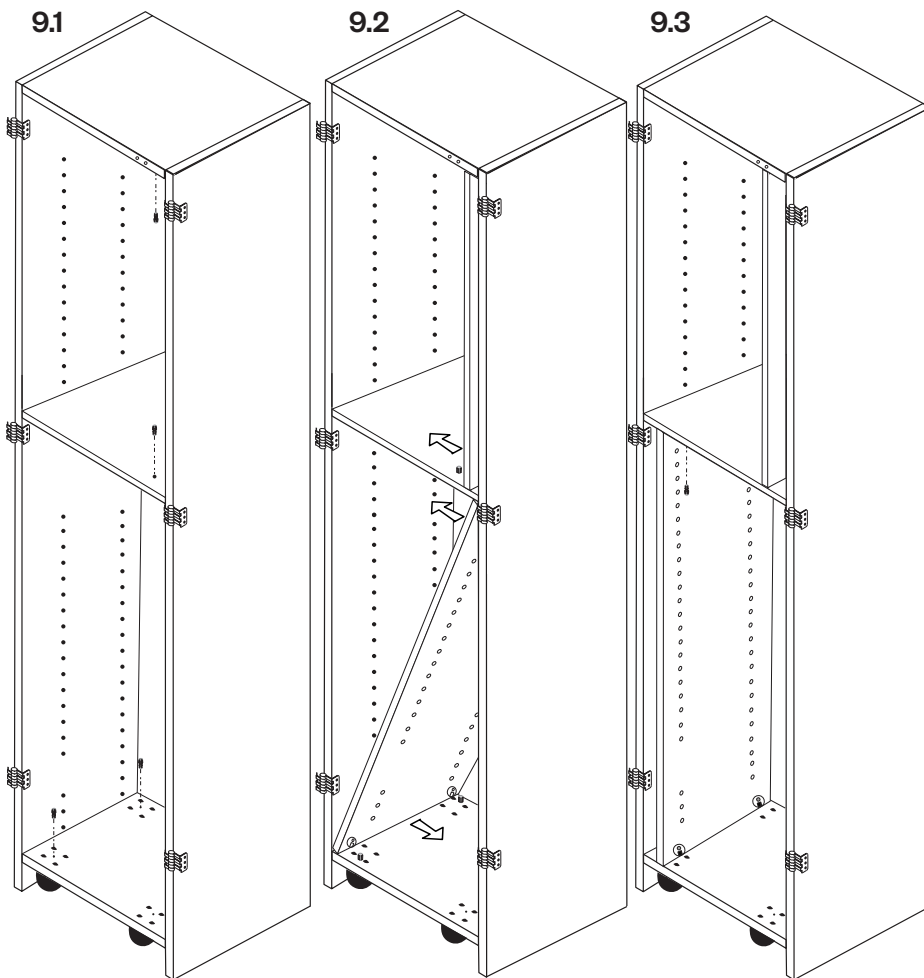
9.1: Place **12 Connecting Bolts** in the corresponding holes on both the **Left** and **Right Boxes**.

9.2: Install **Upper** and **Lower dividers** with the **white cams** facing away from the small tote section.

9.3: Install the **4** remaining **connecting bolts** under **LB** and **RB Shelf**. Secure by locking **16 white cams**.



LEFT SIDE SHOWN:
(Repeat steps for right side)

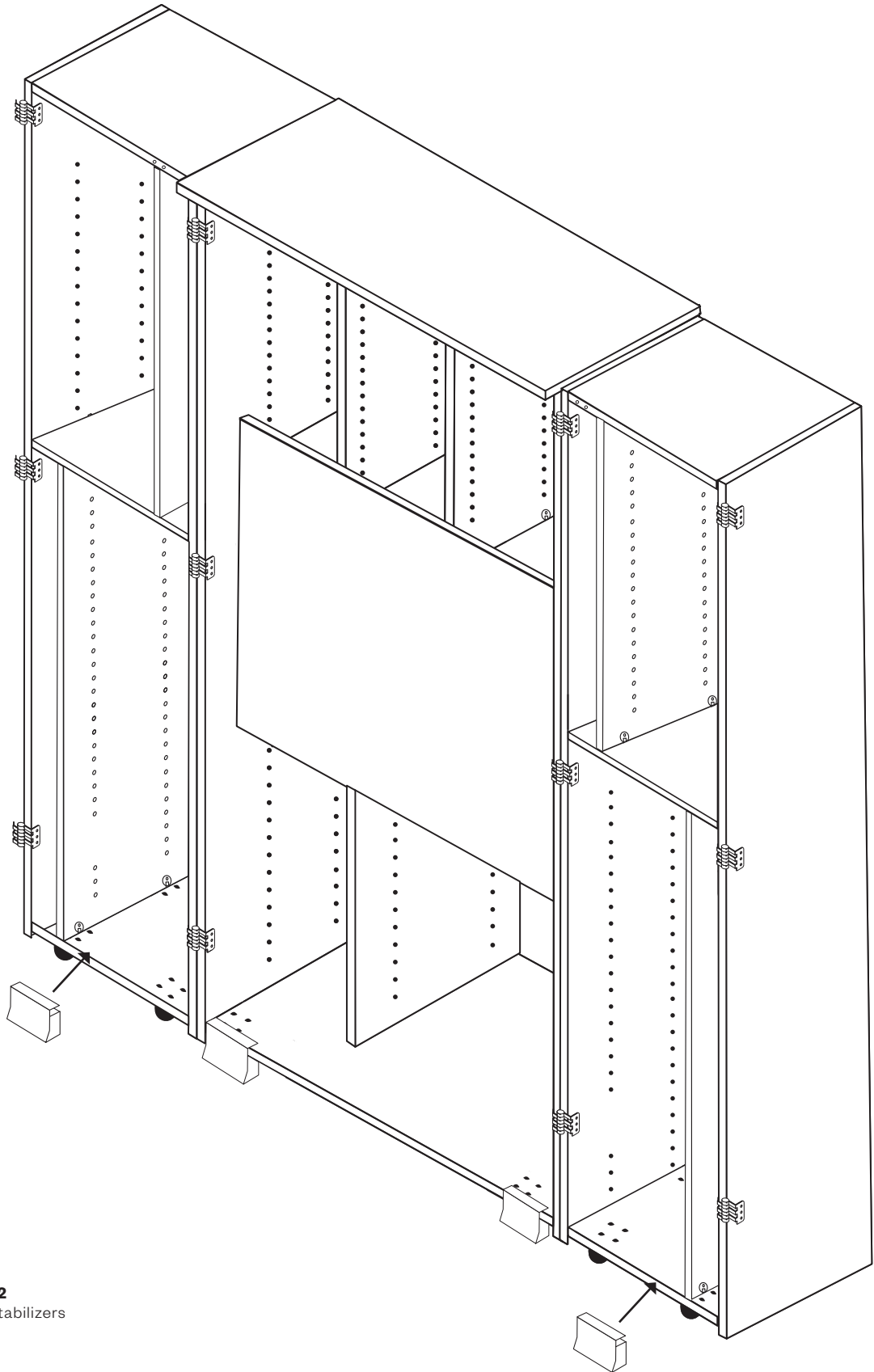


TIP:

1. If the Side Tables were purchased, place Lower Dividers on the outer most part of the box.
2. Line up the divider and box holes.

10

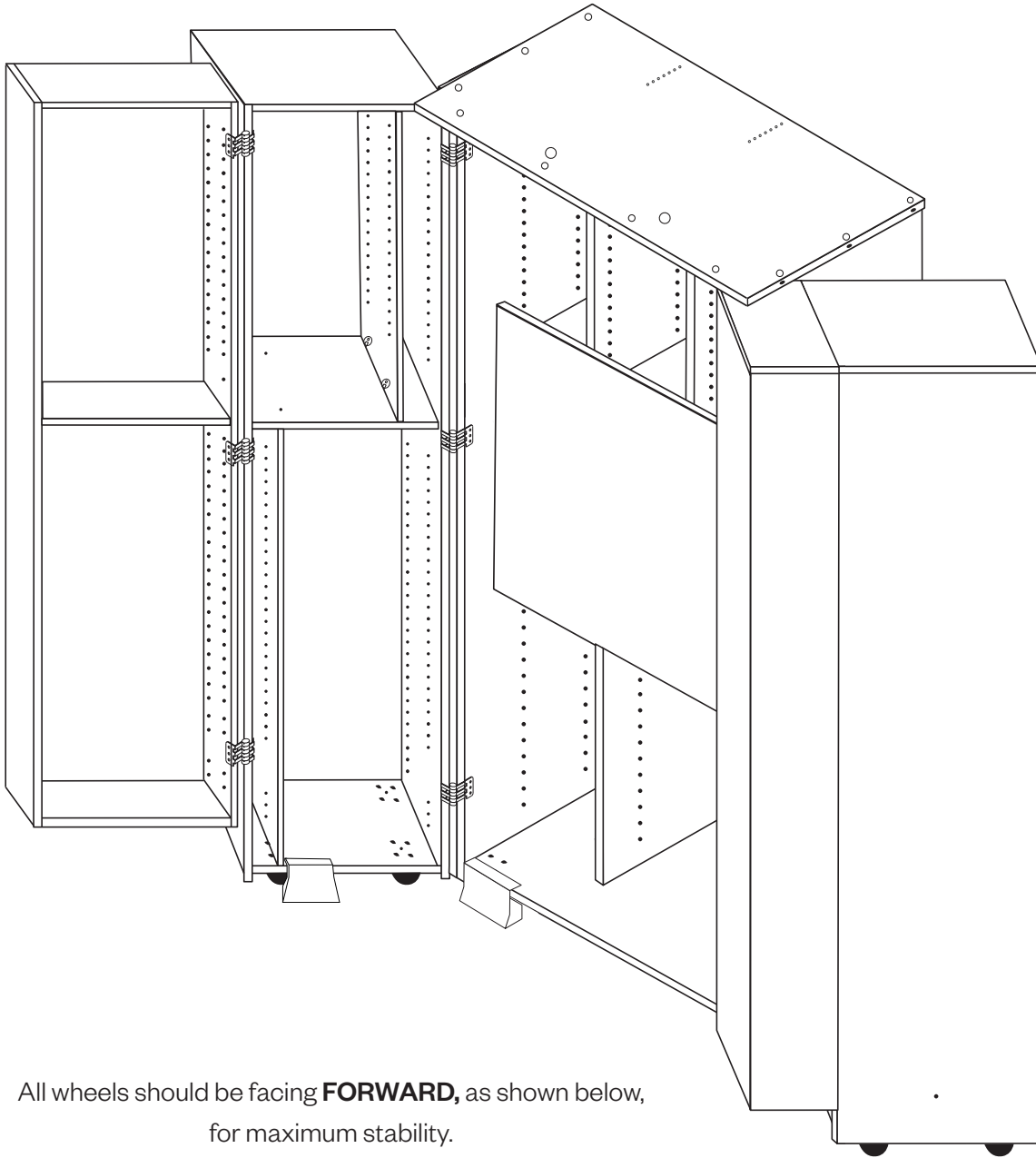
Add **Stabilizers** to **Side Boxes**.



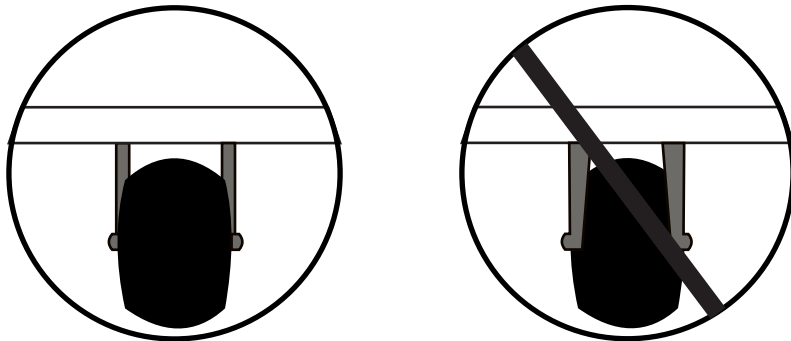
 **x2**
Stabilizers

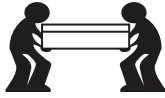
IMPORTANT:

Position DreamBox like the below graphic before installing crafting supplies to reduce tipping hazard.
DreamBox **MUST** remain in this enclosed position until the safety brackets are installed.

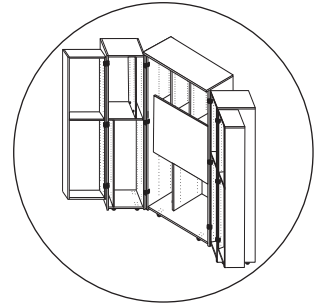


All wheels should be facing **FORWARD**, as shown below,
for maximum stability.



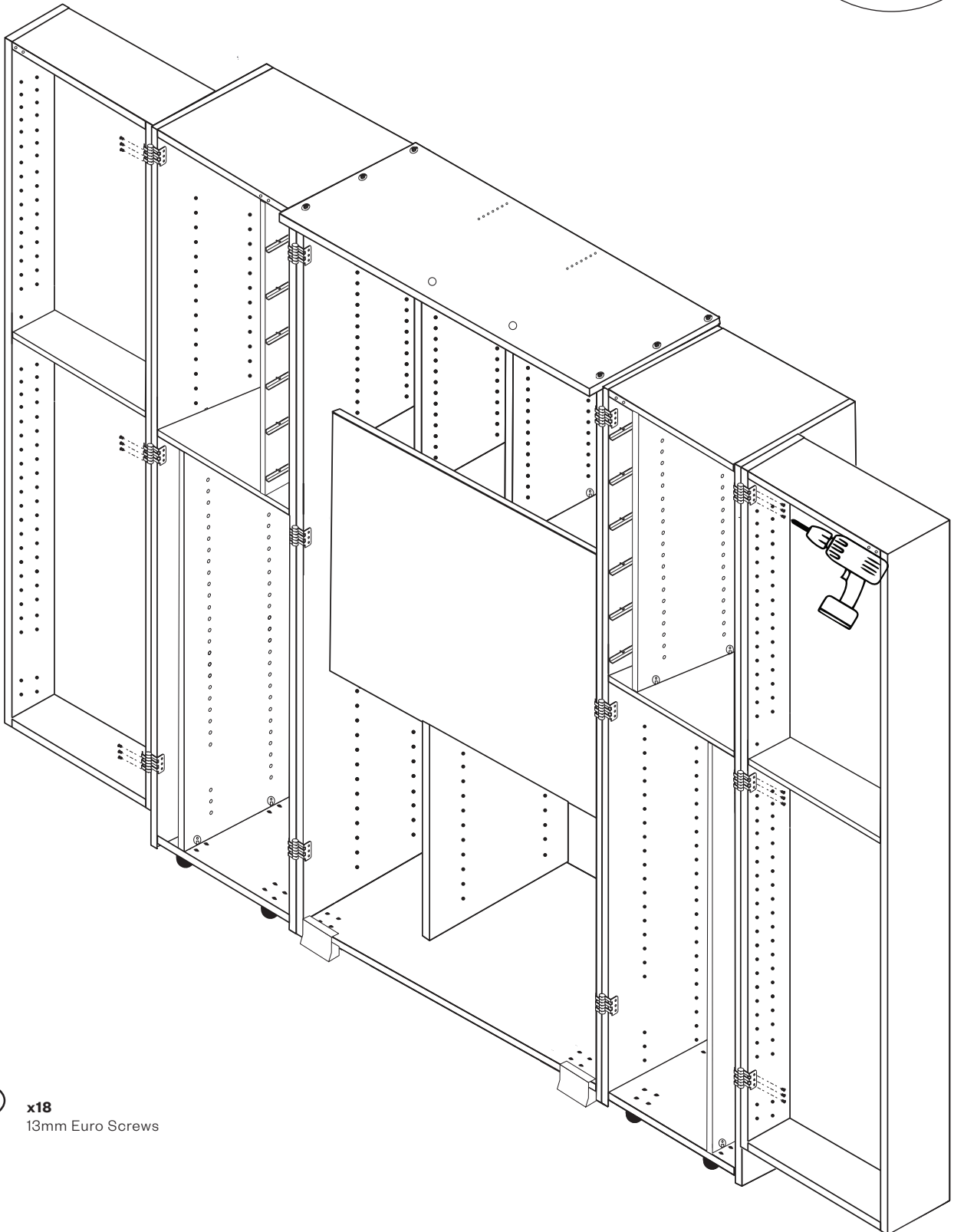


CAUTION: This step requires two people.



10

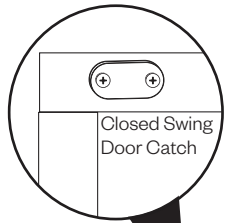
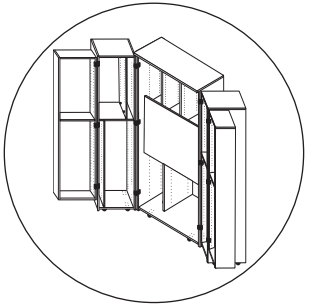
Attach **swing doors** using **18 Euro Screws**.



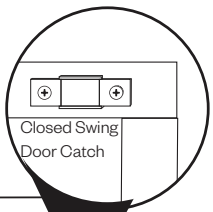
x18
13mm Euro Screws

11

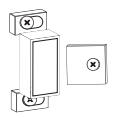
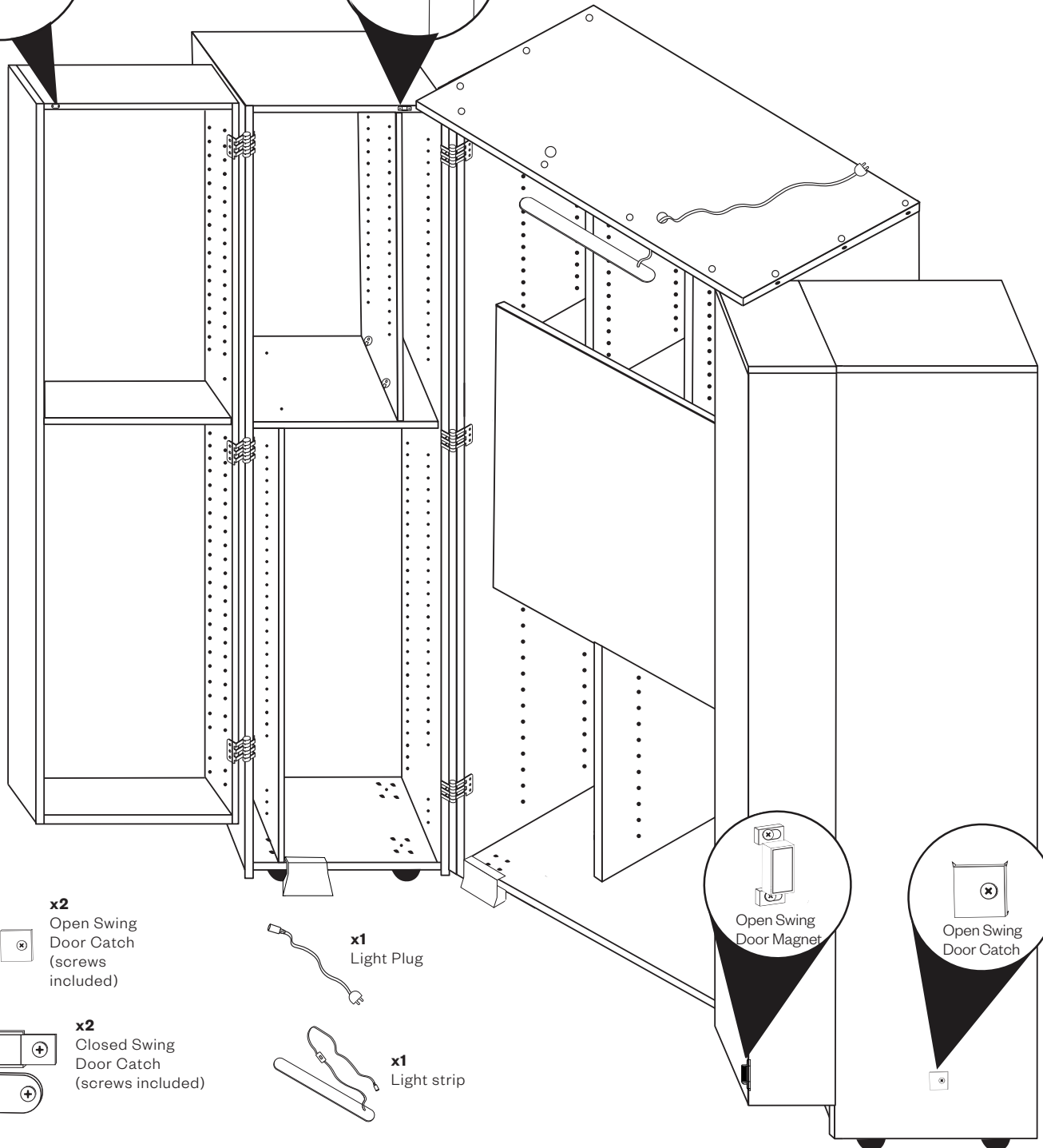
Install 2 sets of **Door Catches**. (There are no pre-drilled holes as these are optional.) Install **Light Kit**.



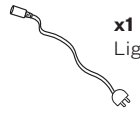
Closed Swing Door Catch



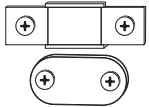
Closed Swing Door Catch



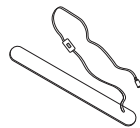
x2
Open Swing Door Catch (screws included)



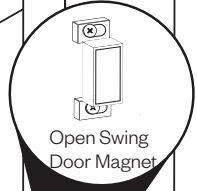
x1
Light Plug



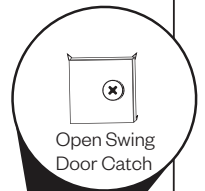
x2
Closed Swing Door Catch (screws included)



x1
Light strip



Open Swing Door Magnet



Open Swing Door Catch

TIP:
1. Do not use Drill to avoid stripping.
2. Make sure the 4 pointed corners of the Open Swing Door Catch square are pressed against the side box.

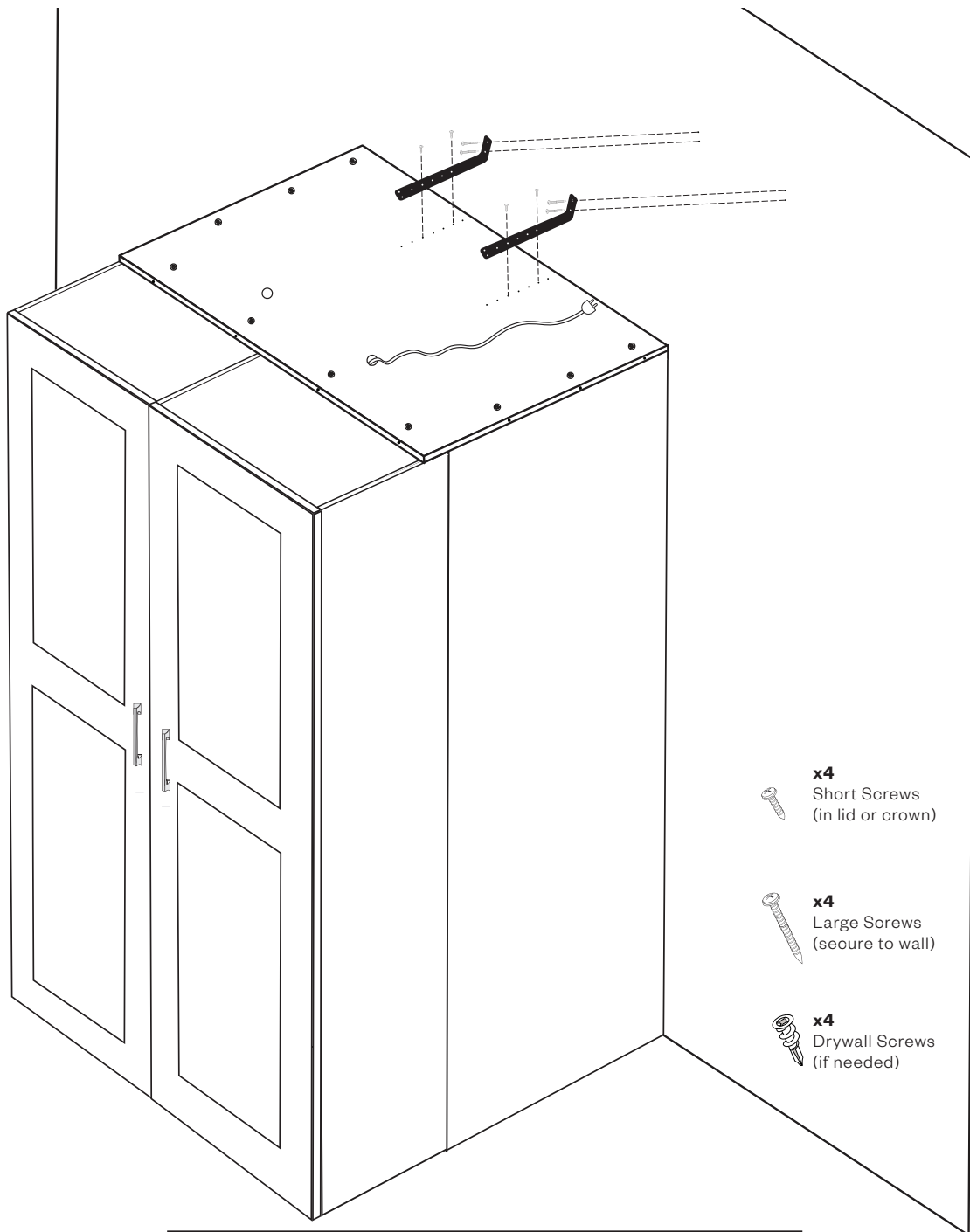


WARNING: Serious or fatal crushing injuries can occur from tipping furniture.

To prevent tip-over hazard, secure the DreamBox to the wall before use.

12

Determine the appropriate distance of the safety bracket from the wall. Secure the **safety bracket** in place by tightening **4 Short Screws** into the DreamBox. Locate the wall studs to find the optimal position for attachment. Use **Large Screws** to securely fasten the DreamBox to the wall by anchoring them into the wall studs. *If* wall studs cannot be found, utilize **drywall screws** instead and use long screws to attach the DreamBox to the wall.



TIP:

Stabilizers can be removed, if desired, after Safety Brackets have been attached.

13

Skip this step if you did not purchase Deluxe Crown with Double Light

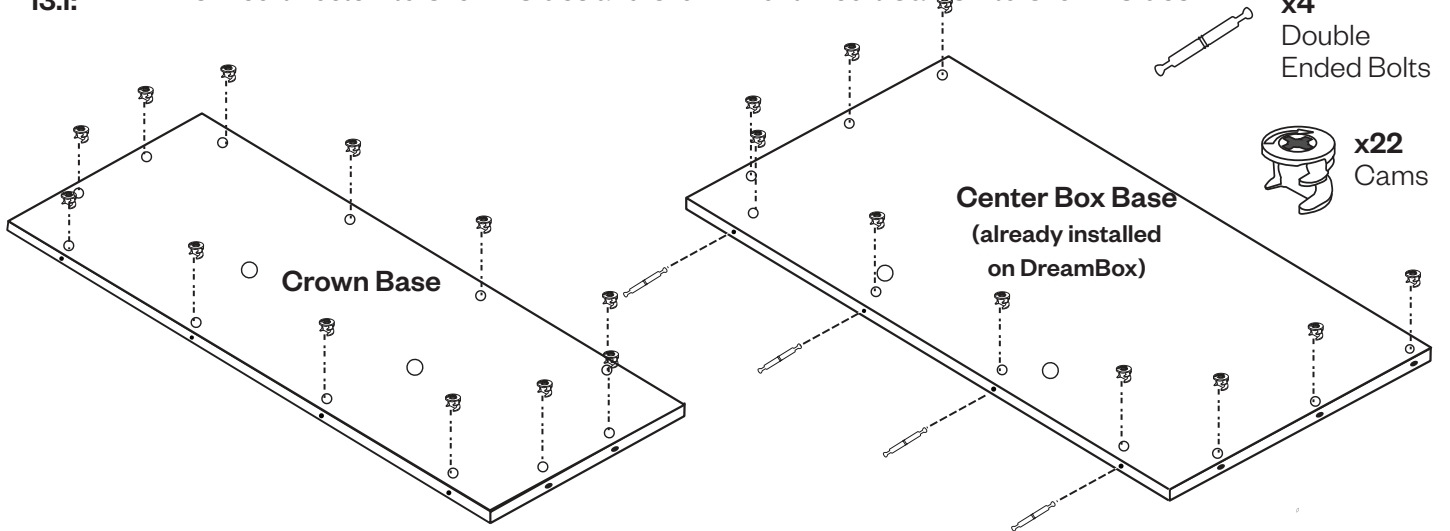
4.1: Insert **Cams** into **Crown Base** and **Center Box Lid**. Insert **Double Ended Bolts** into **Crown base**.

Tighten **Cams**

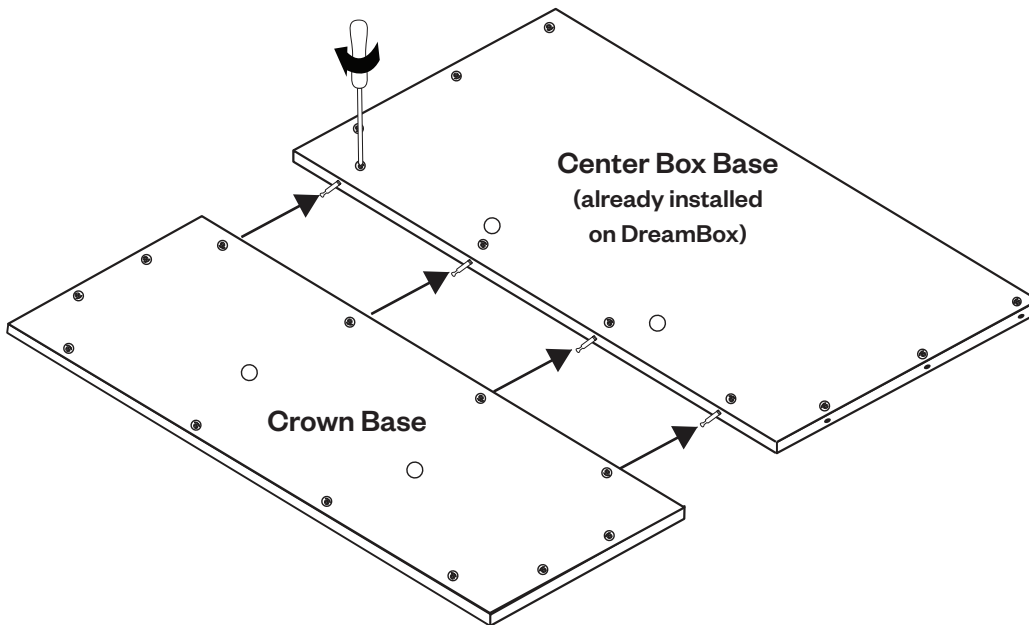
4.2: **Connect Crown Base** to **Center Box Lid**, and tighten **Cams** by turning until locked.

13.1:

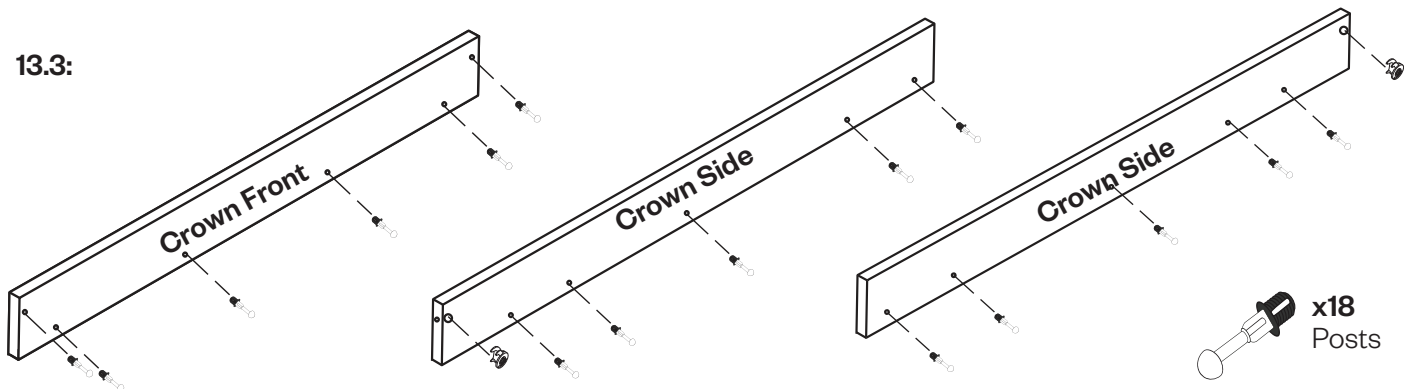
4.3: Insert **Posts** into **Crown Sides** and **Crown Front**. Insert **Cams** into **Crown Sides**.



13.2:



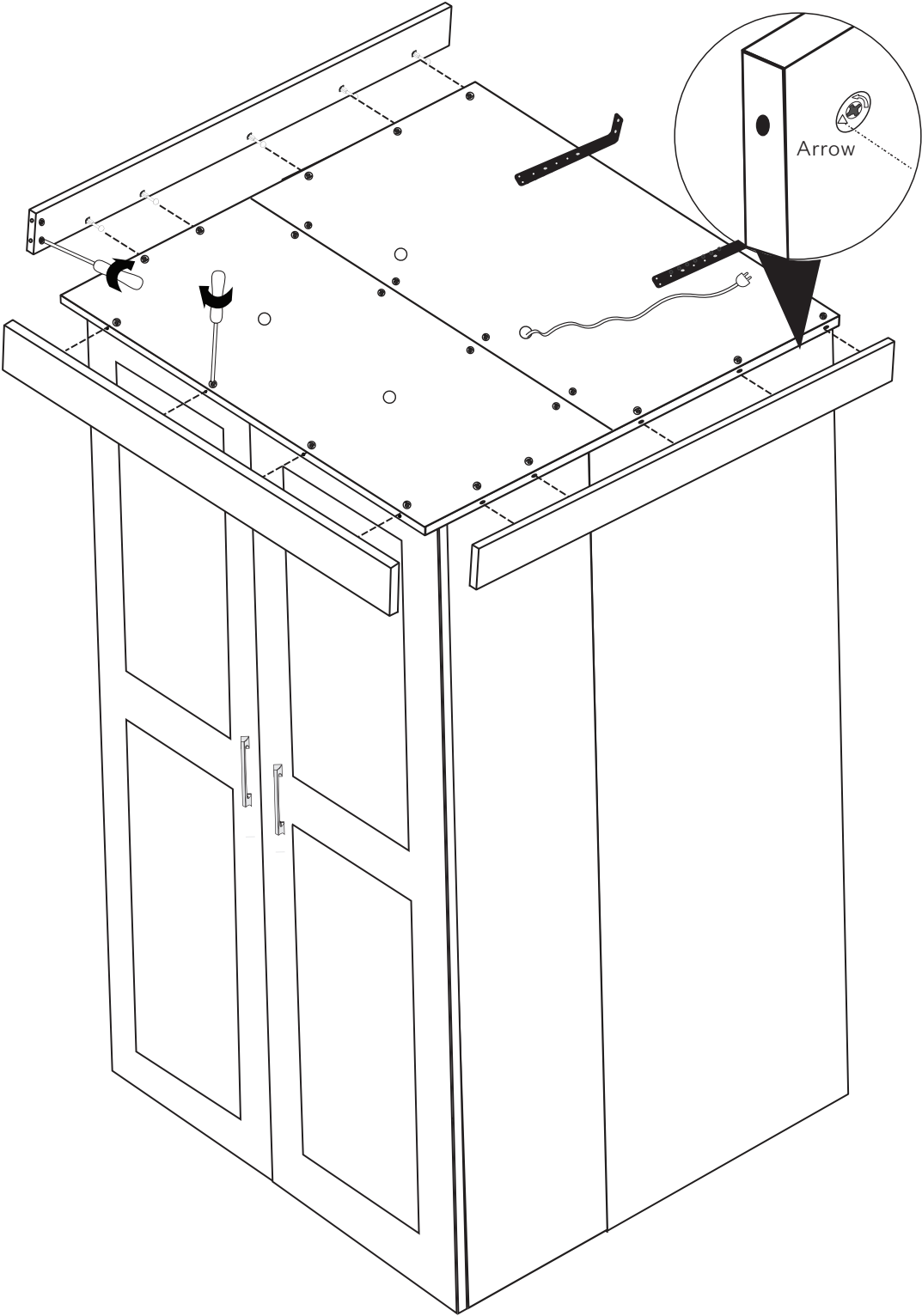
13.3:



14

Skip this step if you did not purchase the crown.

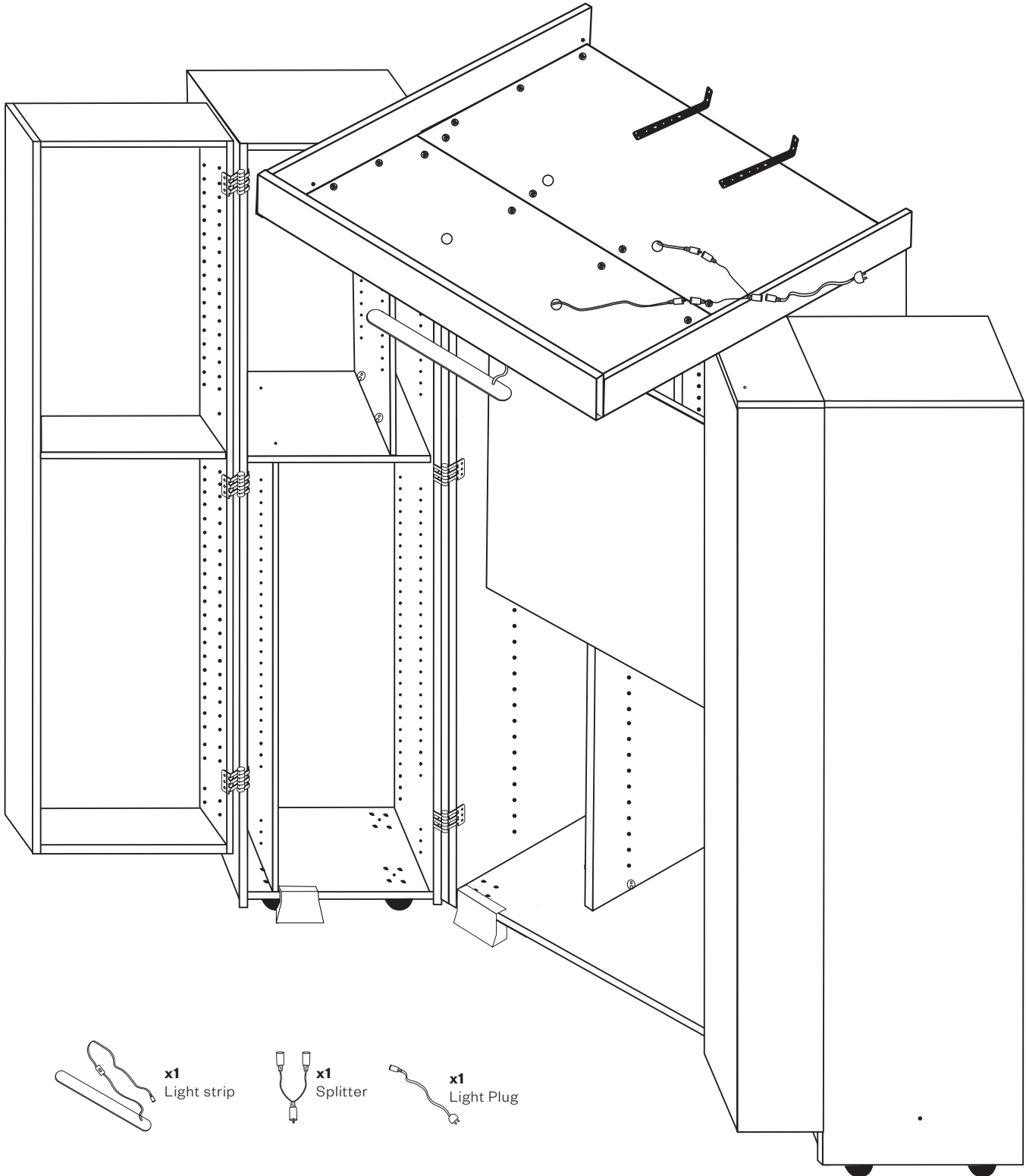
Use a small ladder or step stool and attach **Crown Front** and **Crown Sides** to **Crown Tops 1** and **2**.
Tighten **Cams**.



15

Skip this step if you did not purchase the crown.

Install **Light Strip** by threading cord through crown hole and removing adhesive back to apply to crown light cut out. Then connect **Light Strips** cord to **Splitter** and then connect Splitter to **Light Plug**.

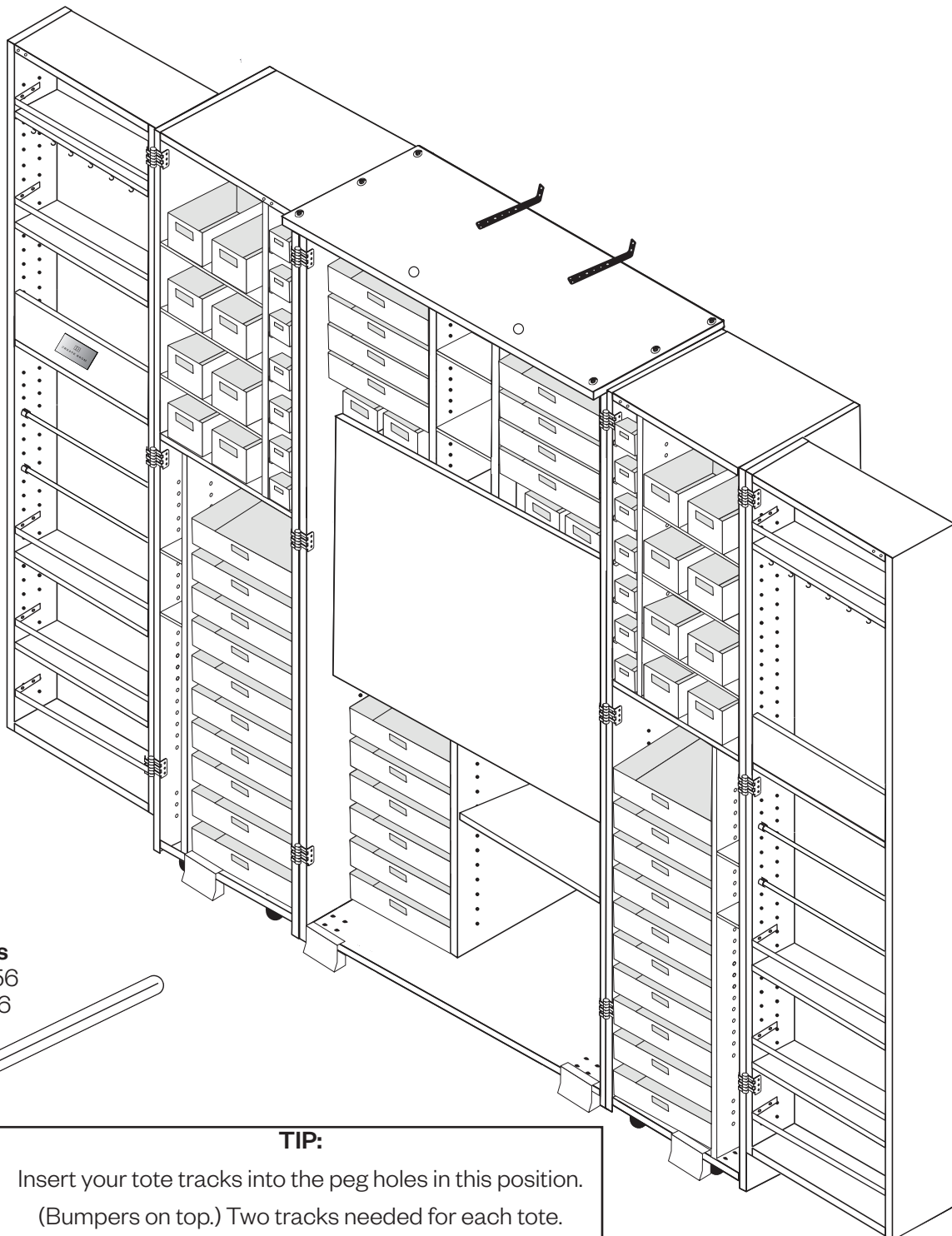


three cheers

YOU'RE DOING GREAT!

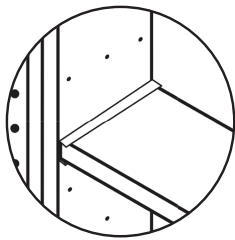
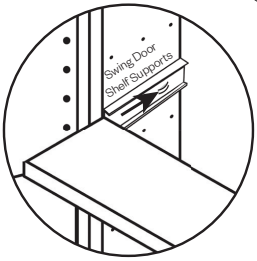
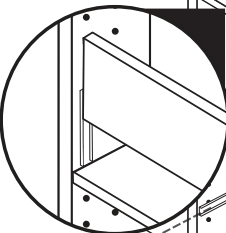
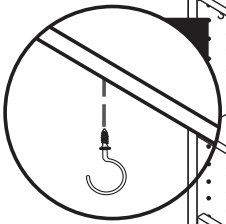
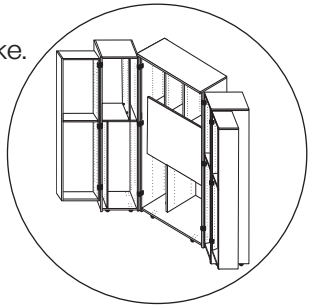
The fun is just beginning. Now it's time to customize your DreamBox and start moving in.

- Begin by customizing your tracks, totes, and shelves to fit your organization needs.
- All medium totes require a shelf. All shelves use 4 metal shelf pegs.

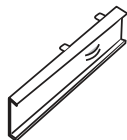


16

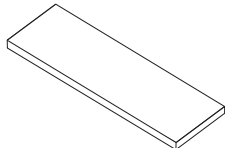
Screw in **Metal Hooks** to **Hook Shelf** in **Swing door**. Install shelves where you like.



x24
Metal Hooks



x20
Swing Door Shelf
Supports

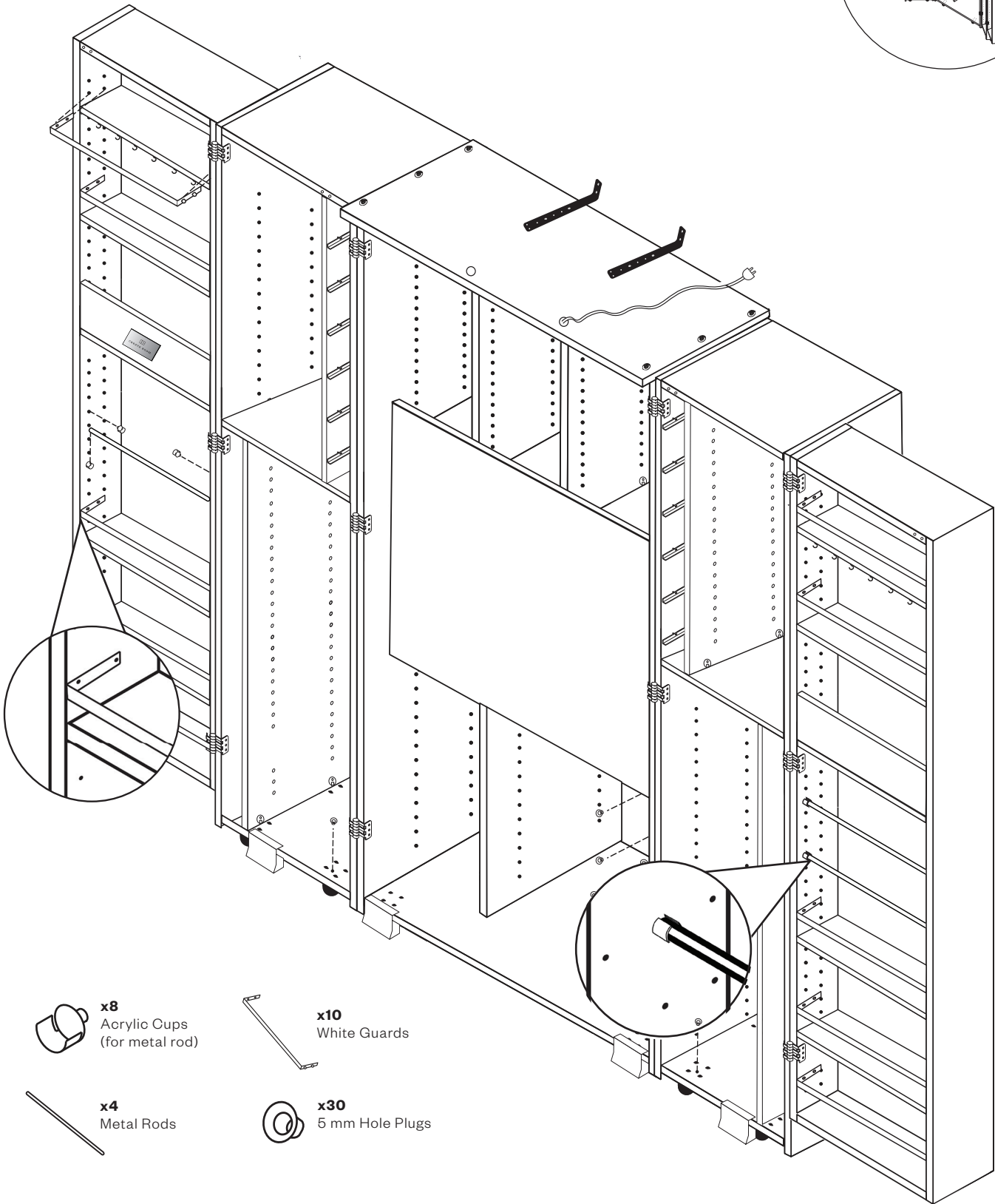
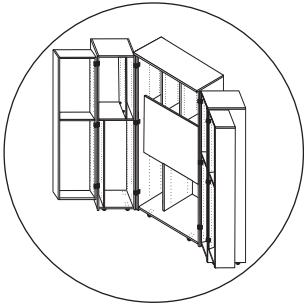


x7
Swing Door Shelves

TIP:
Two swing door shelves needed per pocket.

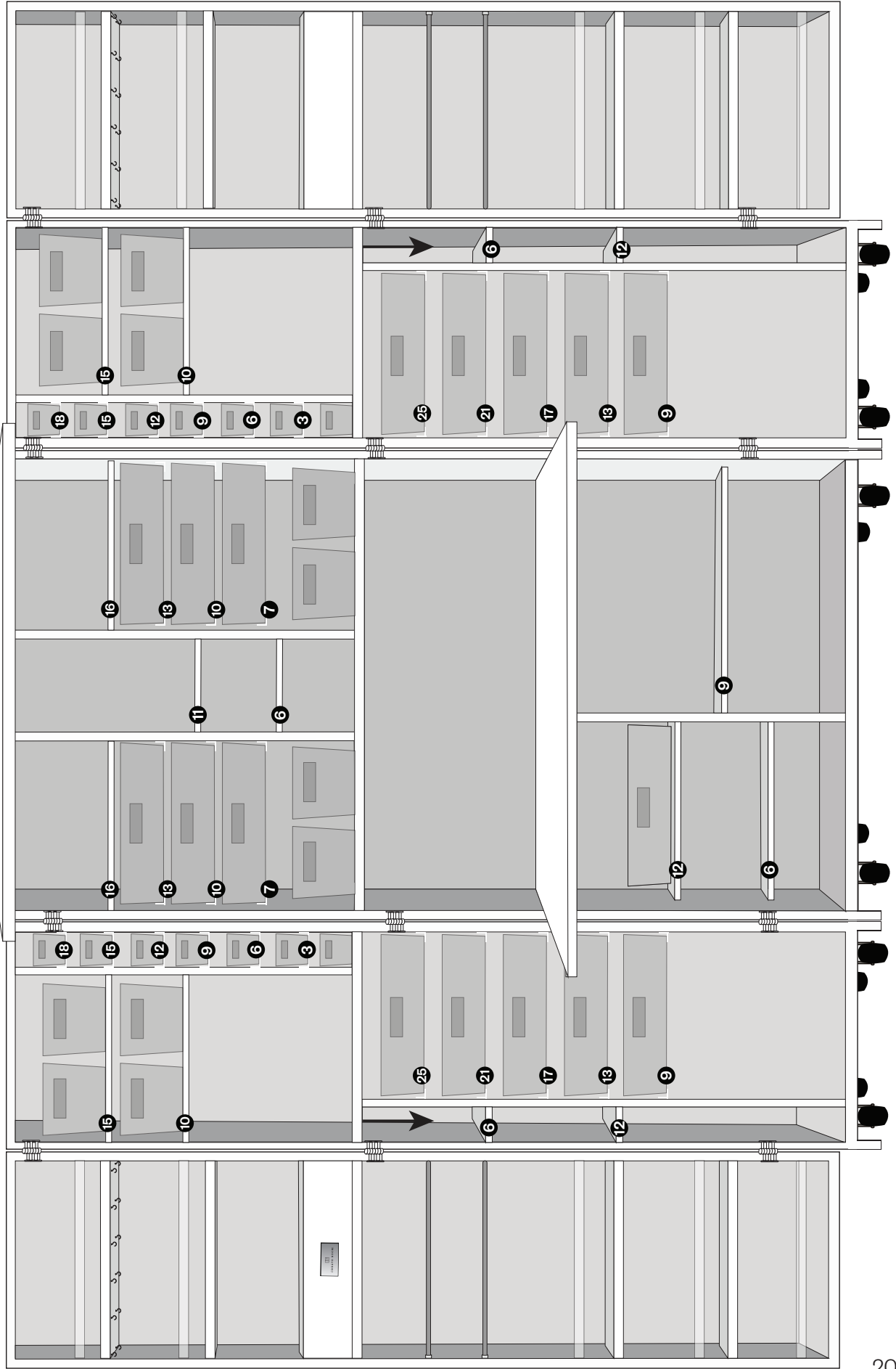
17

Install **White Guards** and **Acrylic Cups**. Place **Metal Rods** into **Acrylic Cups** and push down. Fill lower divider holes that were not used with **5 mm hole plugs**.



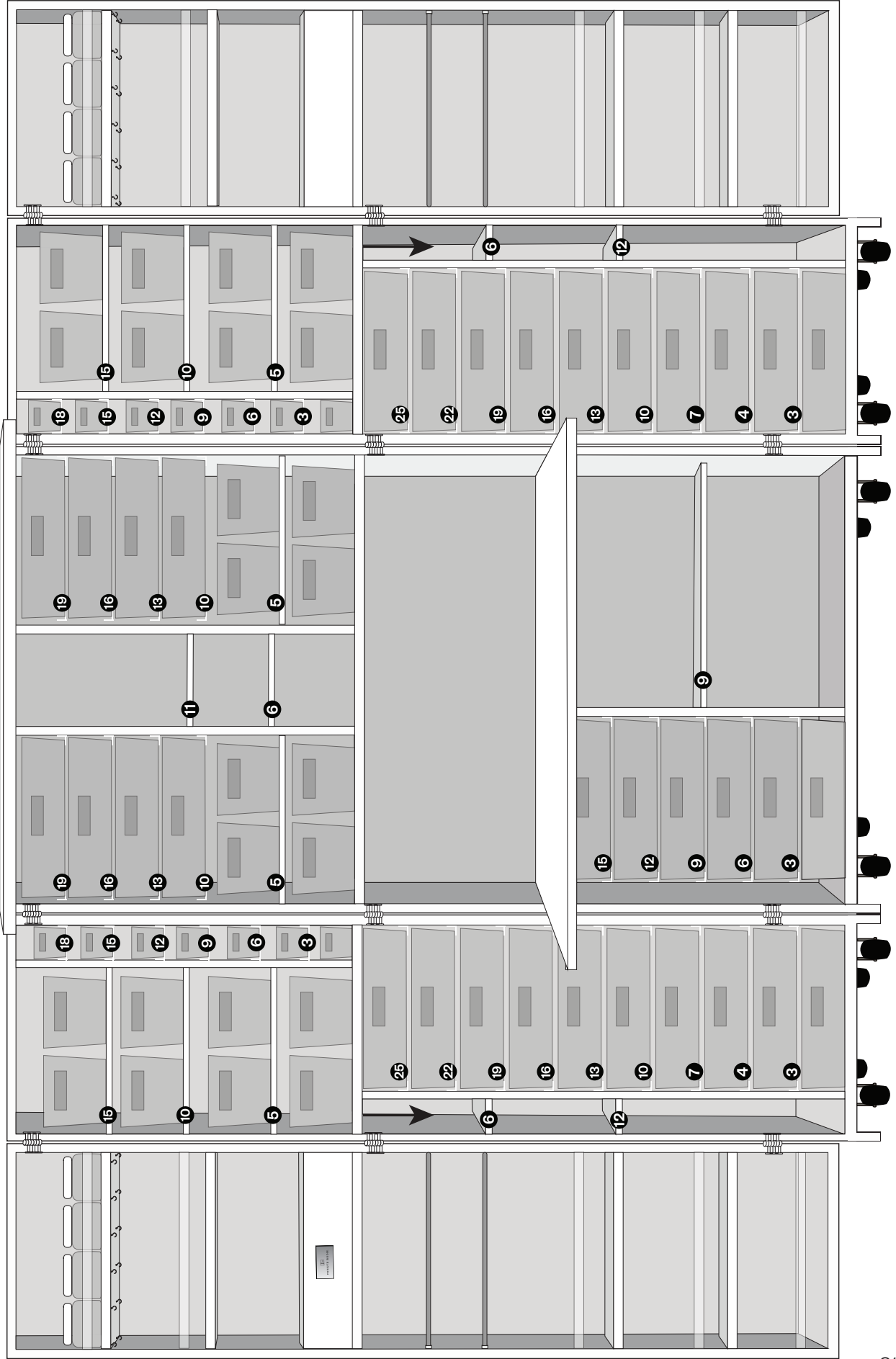
HALF SET TOTE STORAGE CONFIGURATION:

Install **tote tracks** and **metal pegs** at shelf peg holes indicated by number, counting from the bottom. (Except the small section in the lower half of **Right and Left Boxes**).



FULL SET TOTE STORAGE CONFIGURATION:

Install tote tracks and metal pegs at shelf peg holes indicated by number, counting from the bottom. (Except the small section in the lower half of **Right and Left Boxes**).



yipee!

YOU'VE DONE IT.

Now it's time to fill up your new DreamBox 2 with all your crafting goodies.

Remember to share pictures of your crafts and craft space with us on Facebook @CreateRoomFamily.

troubleshooting for the dreambox 2

1 –“Can my DreamBox 2 be on carpet?”

We highly recommend our furniture on wheels to be on a hard floor. The DreamBox 2 can weigh up to 1200 lbs or more with all of your treasures. The wheels need to “give” a little so the strain isn’t added to the connecting joints of the box. Please use a hard surface under your DreamBox 2 wheels.

2 –“My DreamBox 2 is on a hard floor and moves too much when I open or close it.”

Every DreamBox 2 comes with 4 Base Stabilizers. These must be used for stability and to prevent unwanted movement during the assembly and move in process until the Safety Brackets have been attached to the wall. The Safety Brackets will hold your DreamBox firmly in place.

3 - My DreamBox 2 has a space between the doors when I close it. How do I get the doors to close all the way?”

Please check your floor to make sure the area you are storing the DreamBox 2 has a level floor, and has no bumps, such as grout lines. Then check the location of the castors. Because our wheels spin, they may be turned the wrong direction, causing the door to pull back. We also have customers purchase decorative locks for the front 2 doors to child proof their DreamBox 2.

4 –“My DreamBox 2 is not closing.”

Check to make sure all of your treasures are secure and in place.

5 –“I have a gap between my Crown and my DreamBox 2. Is this supposed to be there?”

Yes! This is necessary as you don’t want the doors to scrape the crown or damage your light when opening and closing your DreamBox 2.

6 – When I close my DreamBox 2 the doors are not even.

Make sure the weight of your treasures is distributed evenly in the 2 side boxes. Check your floor to make sure it is level. Check the direction of the wheels to make sure they are facing front when closed.

7 - Why do the dividers for the Inview totes only connect at the bottom?

We use a strong, bendable clear plastic called “Clearblend”. The inview tote dividers for the medium and small totes were designed to divide your supplies for organization, yet easily removable. We want the bendable plastic to work for you in holding your unique supplies.

8 – Why doesn’t the DreamBox 2 have locking wheels?

The DreamBox design needs the wheels to spin freely, preventing too much stress on the joints of your filled Dream-Box. It can hold about 650 pounds of supplies!

warranty

IMMEDIATE INSPECTION REQUIRED:

Upon receiving your Create Room furniture, promptly inspect the package for any external or concealed damage. Report any visible damage to the delivery driver and contact our Customer Service for both freight and parcel deliveries. For concealed damage, notify us within 5 business days with photos to ensure timely support.

30-DAY COVERAGE FOR ORDER ACCURACY:

If your order has missing or incorrect items, let us know within 30 calendar days of delivery. We want to ensure your crafting setup is complete and ready for use.

1-YEAR MANUFACTURING DEFECT WARRANTY:

This warranty covers manufacturing defects affecting use and assembly for a year from delivery. If you run into issues with part quality, including holes drilled wrong or edge banding flaws, we'll provide replacement parts.

PRE-ASSEMBLED SECTIONS SUPPORT:

For pre-assembled furniture parts requiring replacements, we cover individual parts. Our Customer Service team is available to guide you through the replacement process, offering detailed instructions or service ideas.

WARRANTY EXCLUSIONS:

- Damage from improper assembly, misuse, or accidents
- Normal wear and tear
- Shipping damage after the initial inspection period
- Not following instructions for assembly, use, or safety
- Non-manufacturing defect claims made after 30 days from delivery
- Environmental damage or inadequate storage conditions
- Damage to personal items from misusing Create Room products
- Use of wheeled furniture on unsuitable surfaces
- Accessories not part of the integral furniture package
- Secondhand purchases or gifts
- Theft
- Minor cosmetic variances

CUSTOMER SERVICE AND SUPPORT:

Contact our Customer Service for any concerns or help at **1 (801) 226-2686**, customerservice@createroom.com, or through **live chat on createroom.com**.