



CREATE ROOM.

# oh happy day

## YOU'VE RECEIVED THE DREAMBOX 2!

It's already time for your first project.

The DreamBox 2 assembly instructions are easy to follow. All of the hardware you will need can be found in one box.

If you have questions at any point of the assembly process, our friendly furniture experts will be happy to help you.



**CUSTOMERSERVICE@CREATEROOM.COM**



**WWW.CREATEROOM.COM**



**USA / CANADA: 801-226-2686 (M-F 9AM-5PM MST)**  
**UK/EU: +49 40 69632955 OR +44 7759 335868**

We are excited for you to enjoy your inspiring new workspace and can't wait to see pictures! Share your photos on Facebook and Instagram and don't forget to tag @createroomco.

Happy crafting!

*DreamBox 2 Assembly Instructions*

*(Proprietary patented product and instructions. Do not copy or distribute.)*

U0424



# REVIEW SAFETY INSTRUCTIONS BEFORE PROCEEDING

Dear Creator,

The safety of you and your loved ones is our number one priority. Please take a moment to review the following safety instructions before you begin assembling your DreamBox. **Failure to follow these procedures could result in serious or fatal injuries.**

- Keep kids and pets out of the building zone and away from the DreamBox until the box is filled and the Safety Brackets have been attached to the wall.
- Keep the DreamBox in the Enclosed Shape (indicated in instructions) and the table closed during the assembly and move in process.
- Add Stabilizers to Center Box and Side Boxes as indicated in the instructions to provide stability support. Stabilizers can be removed, if desired, once the Safety Brackets have been attached to the wall.
- Be aware of weight distribution. Add heavy items to the bottom of the Center Box and Side Boxes first.
- Ensure all DreamBox wheels are in the forward facing position when stationary.
- Follow DreamBox table weight limit of 50 lbs.
- Do not add weight to the front of your Deluxe Crown.
- Use the included Safety Kit with Safety Brackets to properly attach the DreamBox to your wall.

Thank you for your attention. Please do not hesitate to reach out with any questions or concerns.

Sincerely,

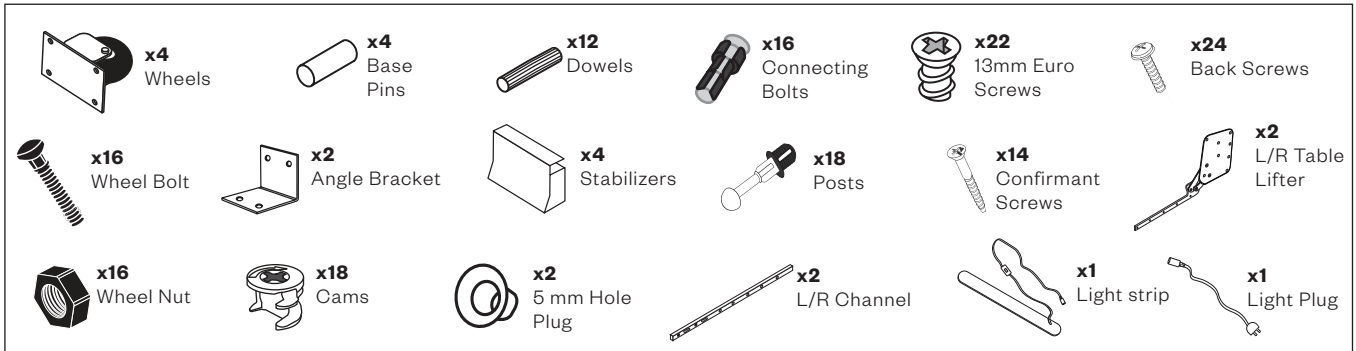
The Create Room Team  
customerservice@createroom.com  
801-226-2686



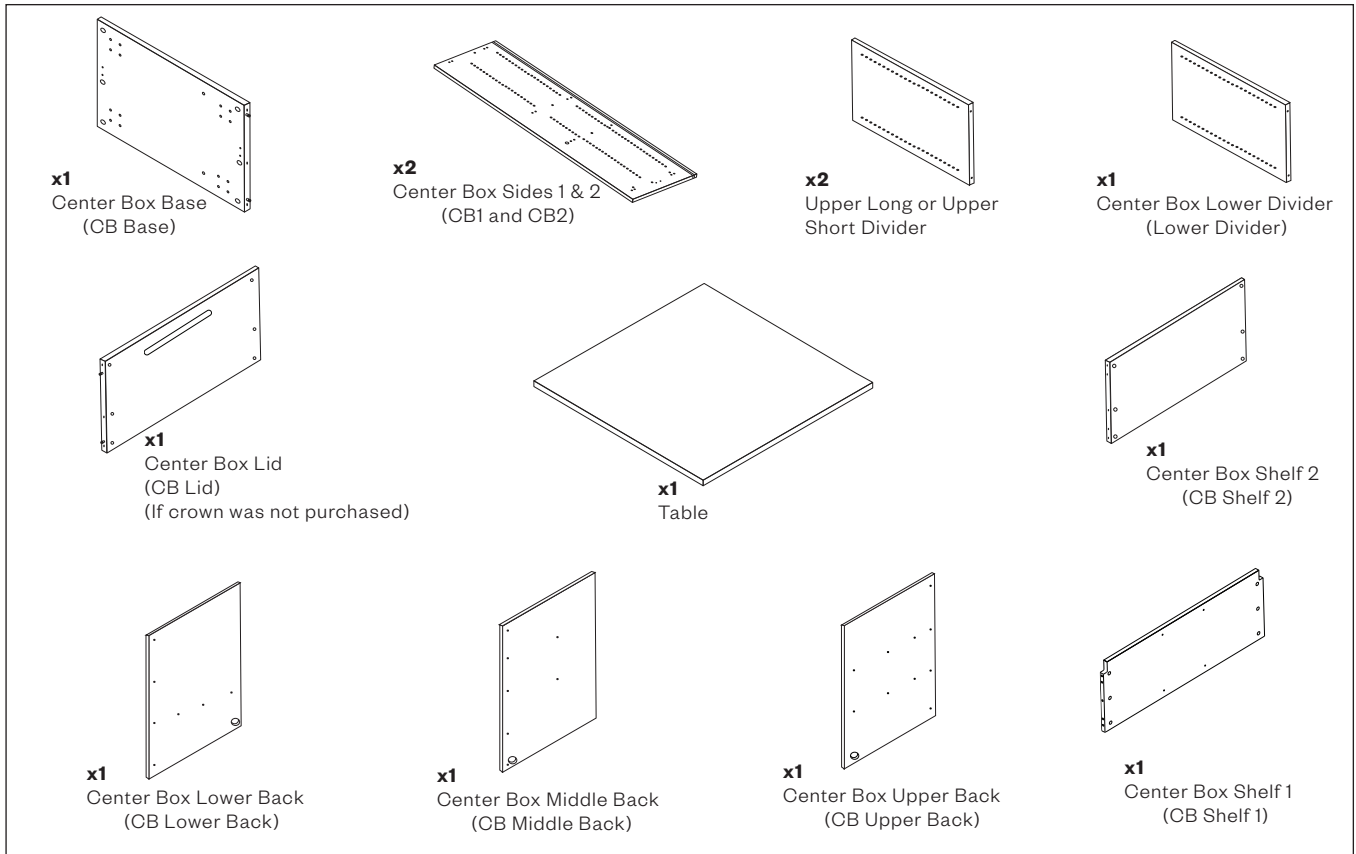
Instruction Video

# center box

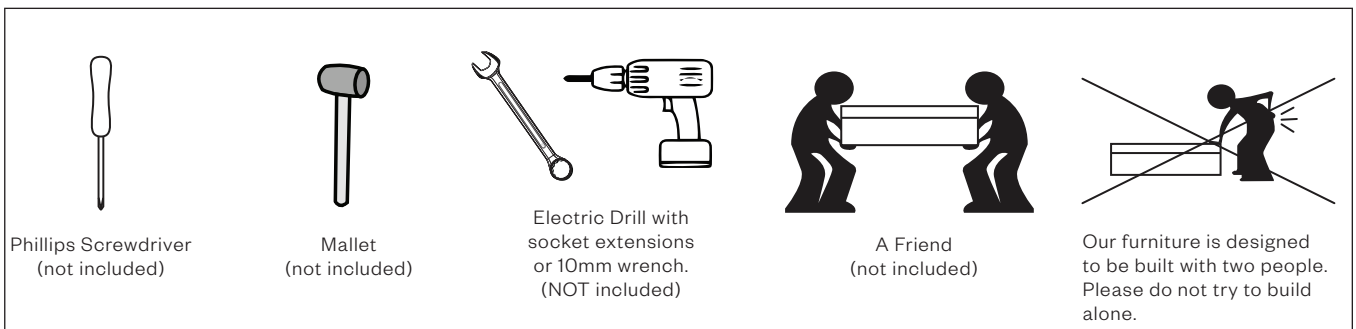
## HARDWARE YOU'LL NEED:



## PARTS INCLUDE:




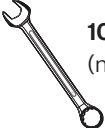


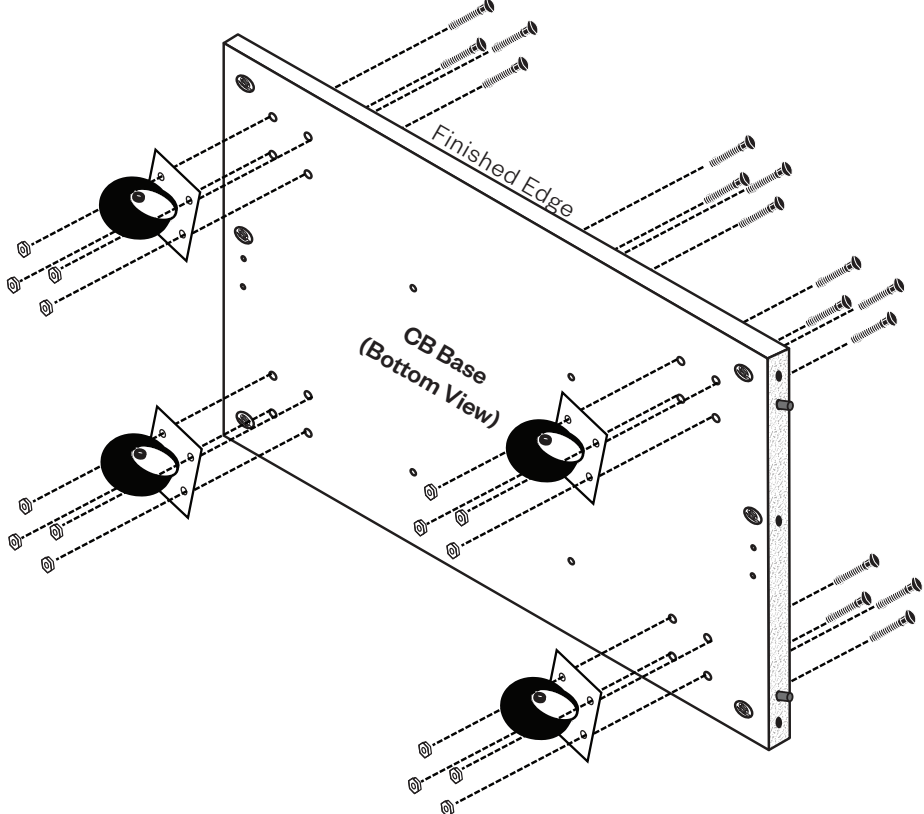
## TOOLS YOU'LL NEED:



# 1

Install **wheels** in the corresponding holes. Secure with 10mm wrench.

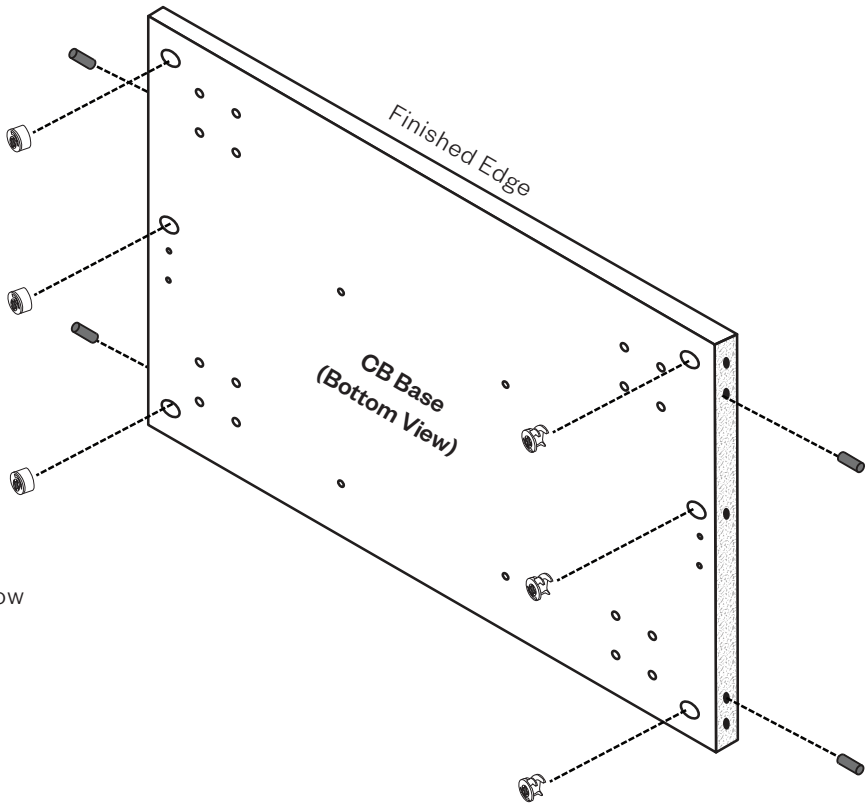
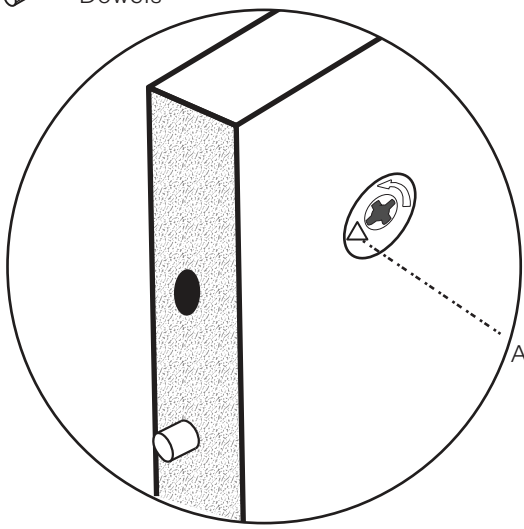
-  x16  
Wheel Nuts
-  x16  
Wheel Bolts
-  x4  
Wheels
-  10mm Wrench  
(not included)



# 2

Install **Cams** with arrow pointing towards the edge of the wood.  
Hammer in **Dowels** until secure into the side of **CB Base**.

-  x6  
Cams
-  x4  
Dowels

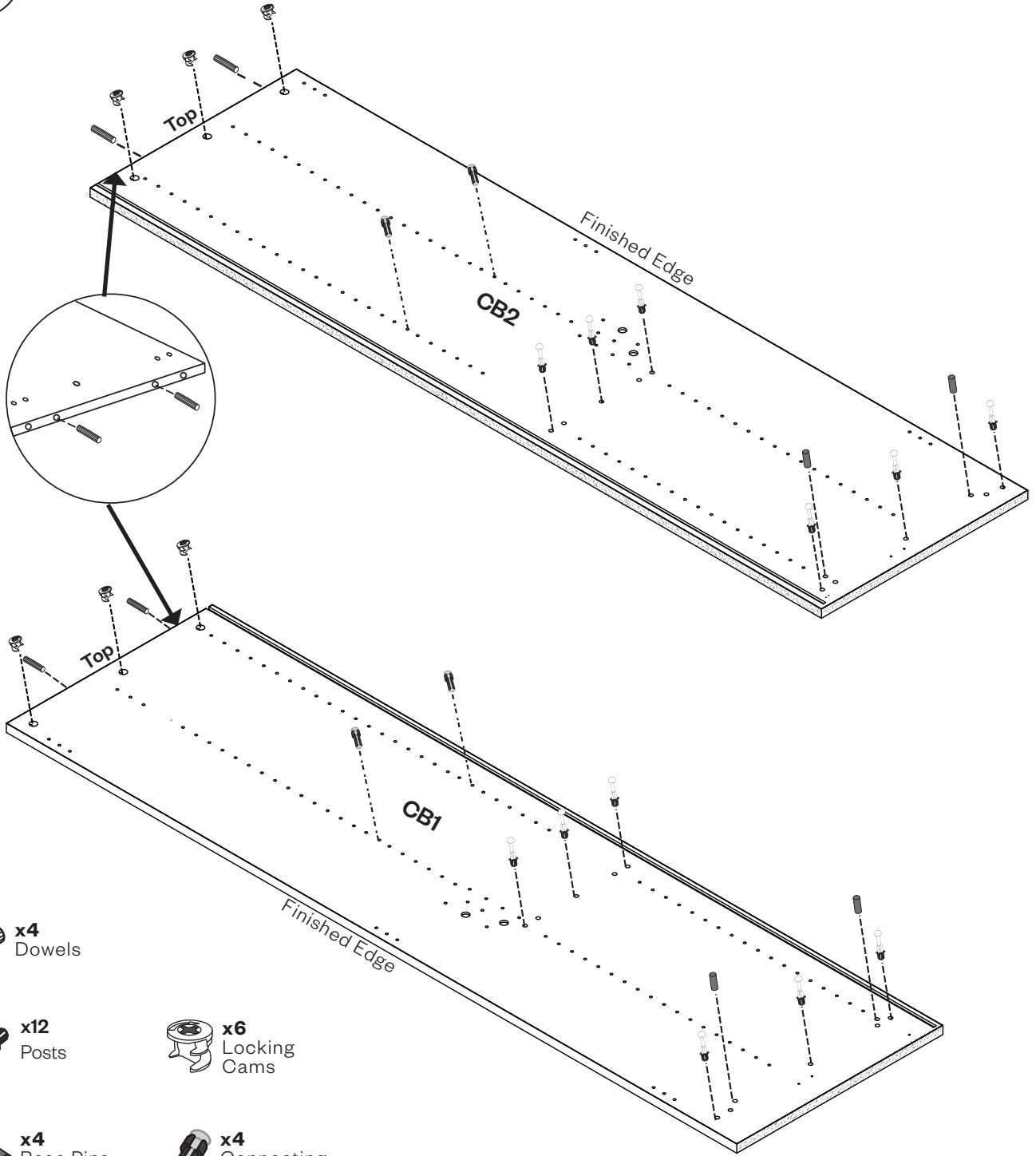


**TIPS:**  
Build DreamBox2 on a large blanket to protect wood from damages.  
Tap in **Dowels** lightly with hammer.



# 3

Install **Posts, Connecting Bolts, Base Pins, Dowels, and Cams** into corresponding holes.



**x4**  
Dowels

**x12**  
Posts

**x6**  
Locking  
Cams

**x4**  
Base Pins

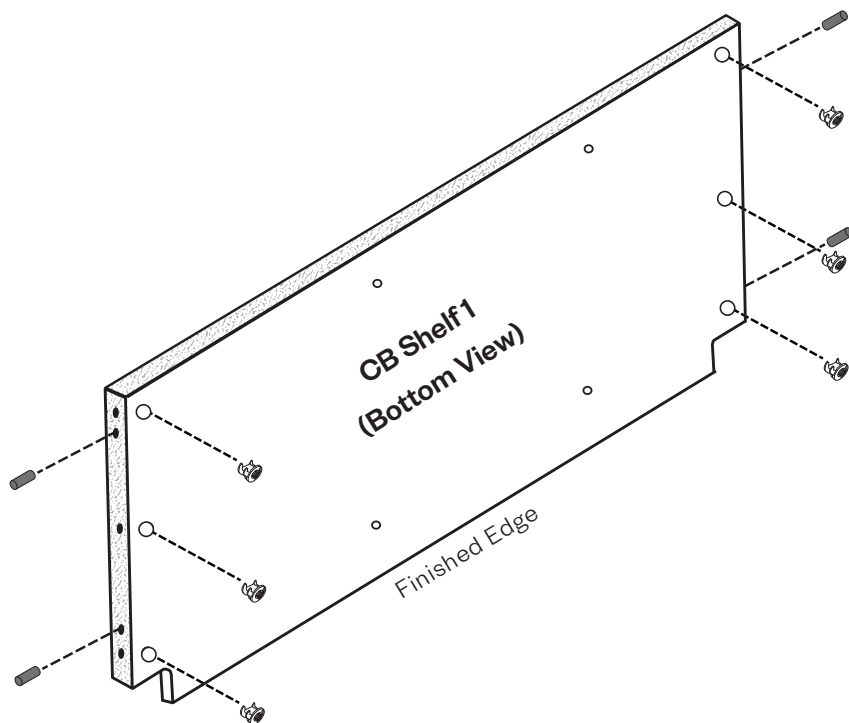
**x4**  
Connecting  
Bolts

**TIPS:**

1. Install connecting bolts in 7th hole from gap if using Long Dividers.  
If purchased short dividers install on the 14th hole.
2. Install Dowels in inner most holes.

**4**

Install **Dowels** and **Cams** to the corresponding holes on the **CB Shelf 1**.



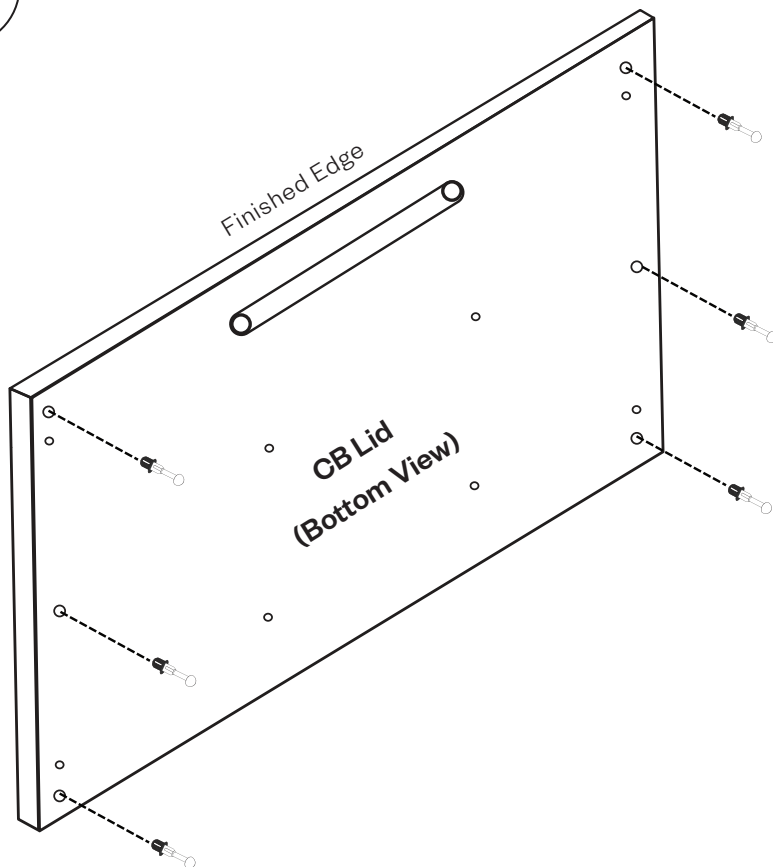
**x4**  
Dowels

**x6**  
Cams

**TIP:**  
Tap in **Dowels** lightly with hammer.

**5**

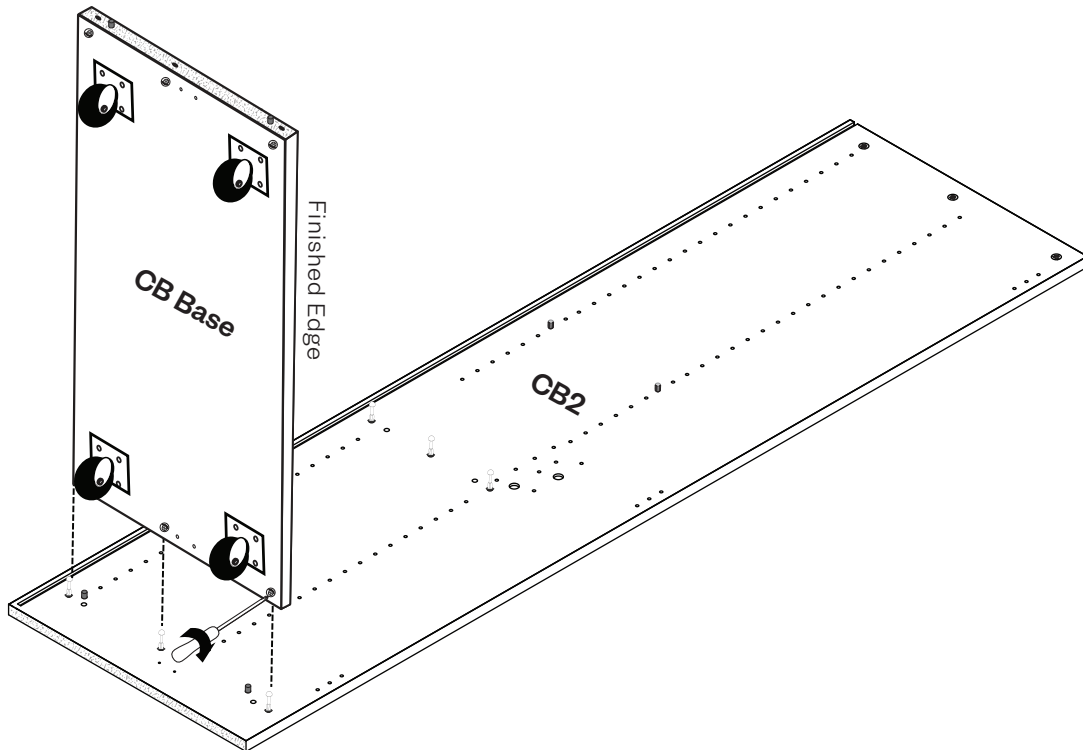
Insert **Posts** into corresponding holes on the **CB Lid**.



**x6**  
Posts

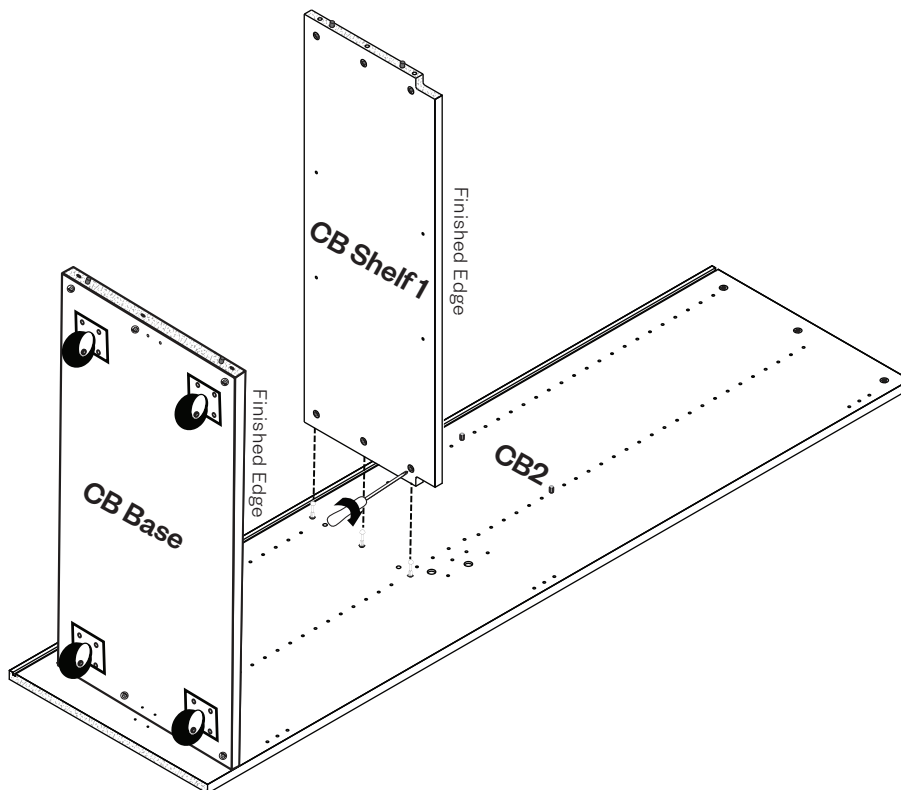
6

Attach **CB base** to **CB2**. Tighten **Cams** to secure.

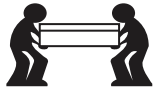


7

Attach **CB Shelf 1** to **CB2**. Secure by tightening **Cams**.



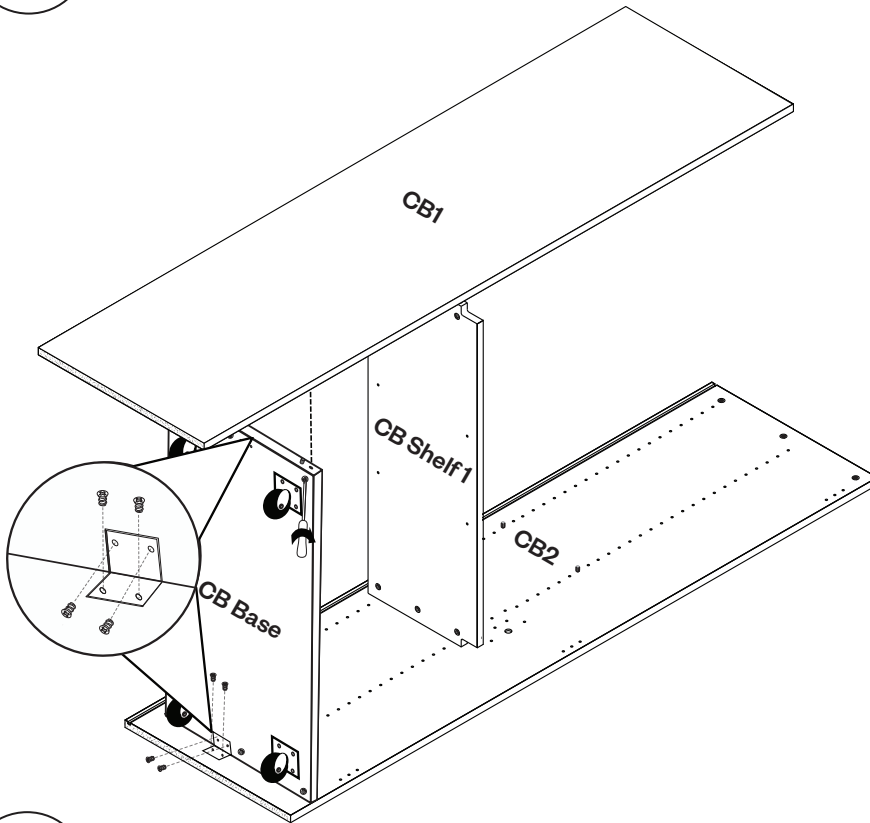
**TIP:**  
Over tightening Cams can damage wood.



**CAUTION:** This step requires 2 people.

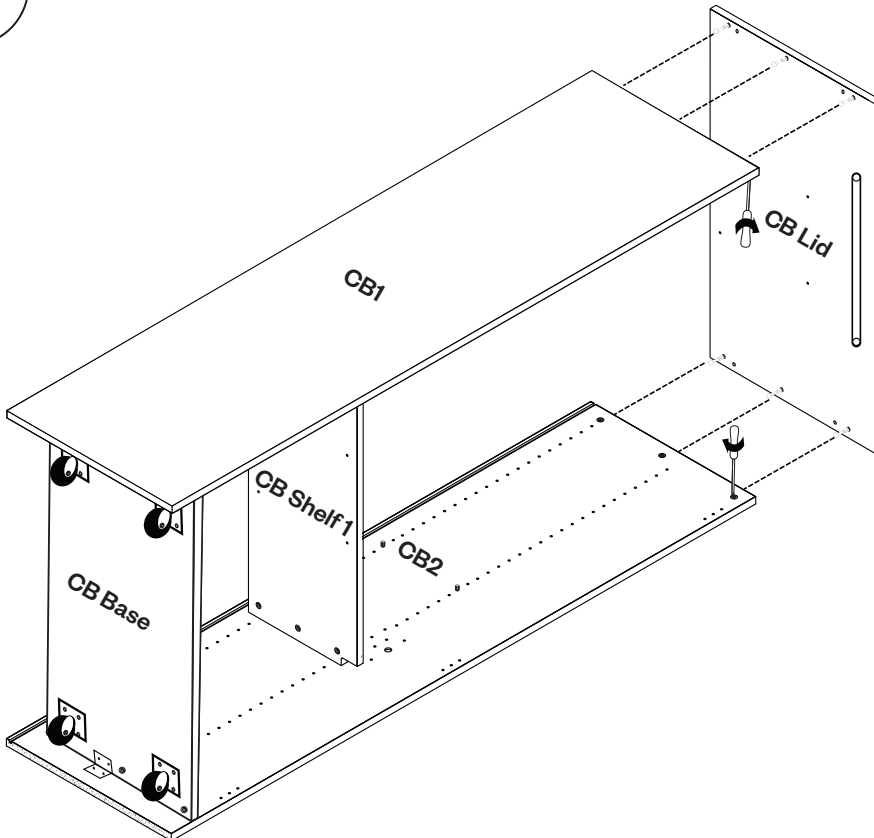
**8**

Attach **CB1** onto **CB Shelf** and **Base**. Secure by tightening **6 Cams**.  
Install **Angle Brackets** using **Euro Screws**.



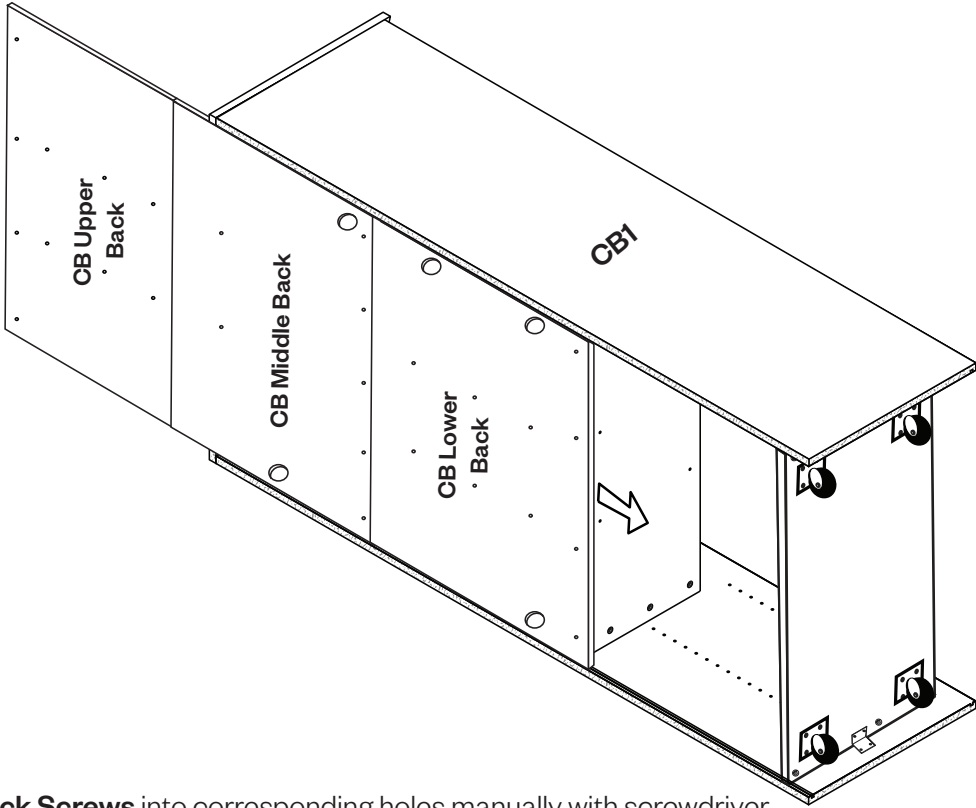
**9**

Attach **CB Lid** to **CB1** and **2**. Secure by tightening **6 Cams**.



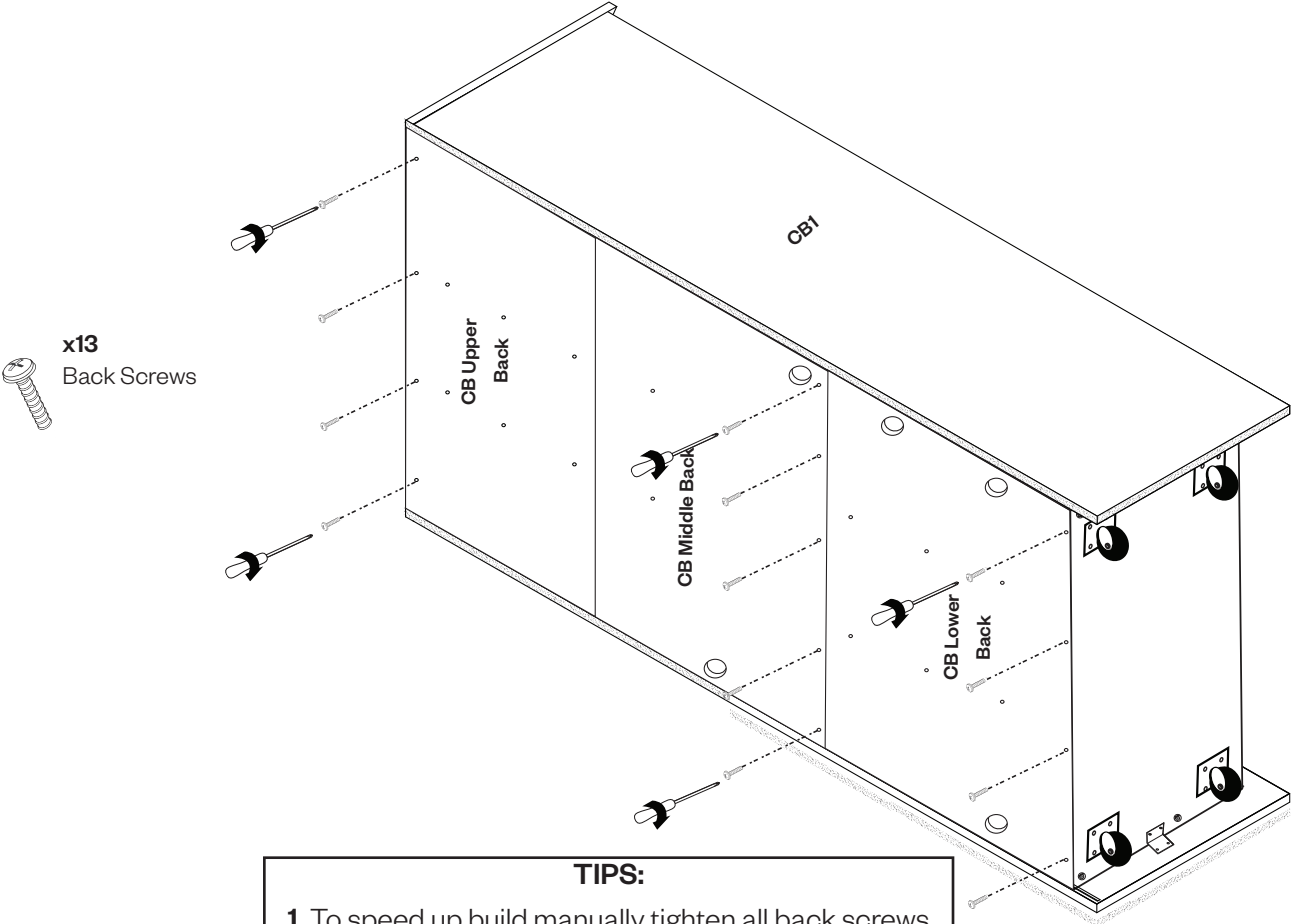
10

Slide **CB Upper, Middle, Lower Back** onto grooves located on **CB 1** and **CB2**.

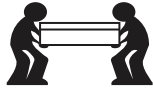


11

Install **Back Screws** into corresponding holes manually with screwdriver.



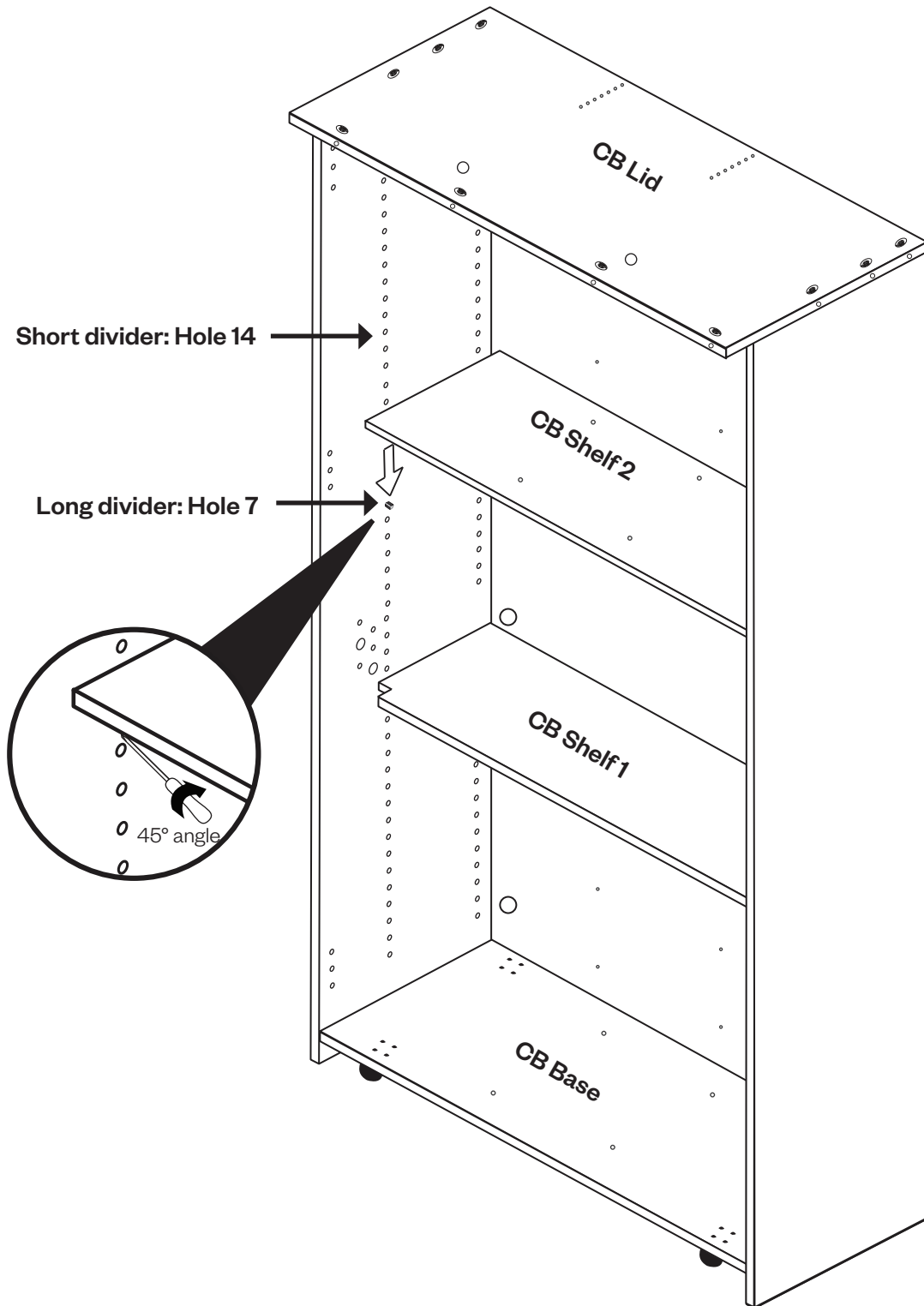
- TIPS:**
- 1. To speed up build manually tighten all back screws about half way then use drill to tighten all the way.
  - 2. May be slight gap in between back panels



**CAUTION:** This step requires 2 people. Stand up CB onto wheels.

**12**

Install **CB shelf 2**. Tighten **White Cams** at 45 degree angle.

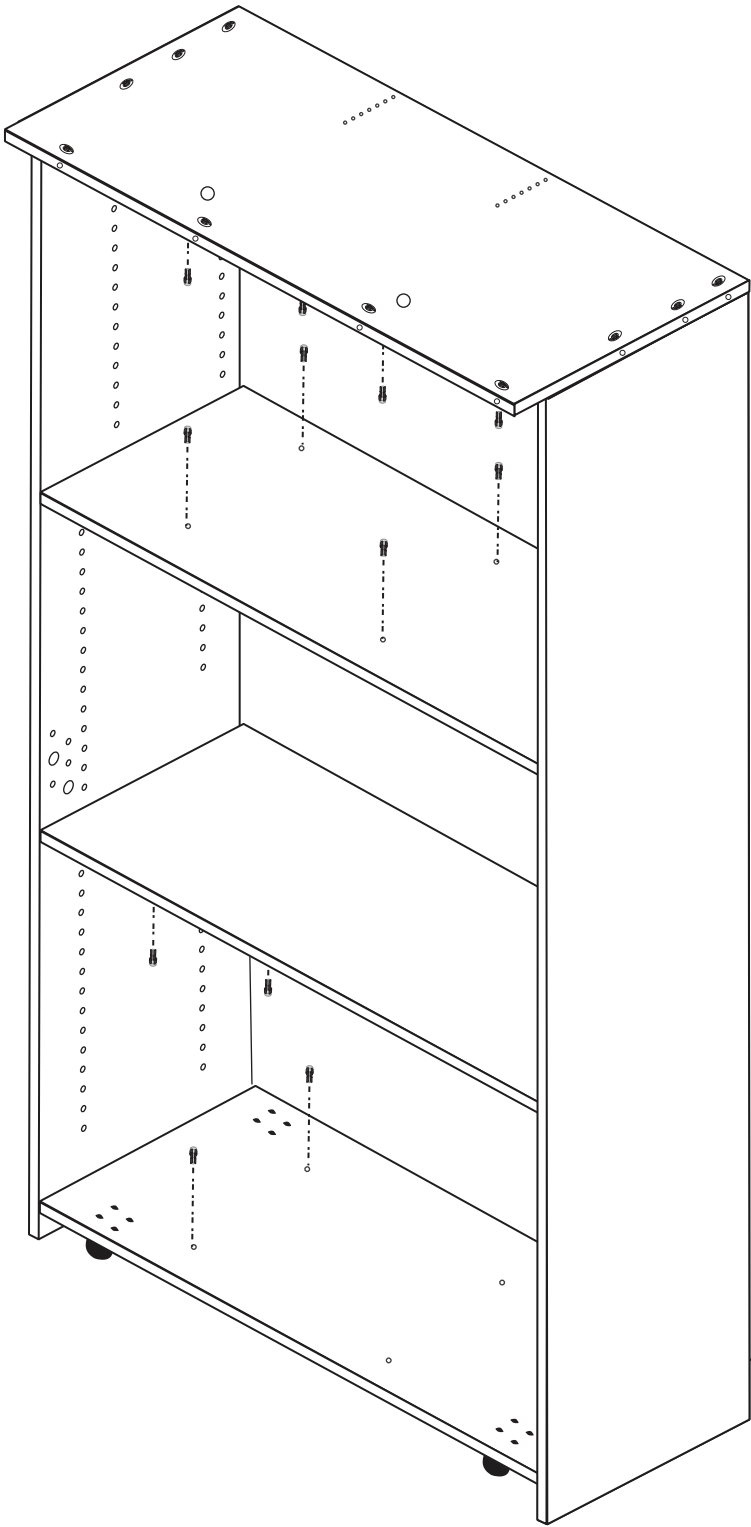


**TIP:**

1. Build against desired wall.
2. Lower divider may be installed on the right side if you want tote storage on the right side.

**13**

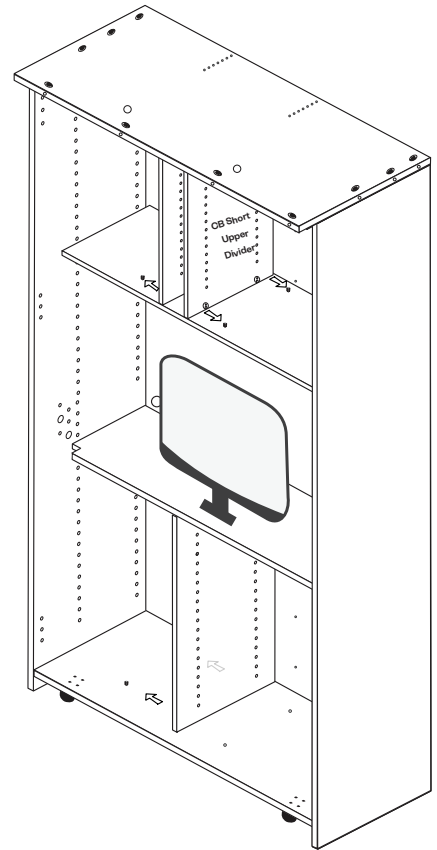
Insert **4 Connecting Bolts** to **CB shelf 2** and **CB Lid**. Insert **2 Connecting Bolts** to **CB Shelf 1** and **CB Base**.



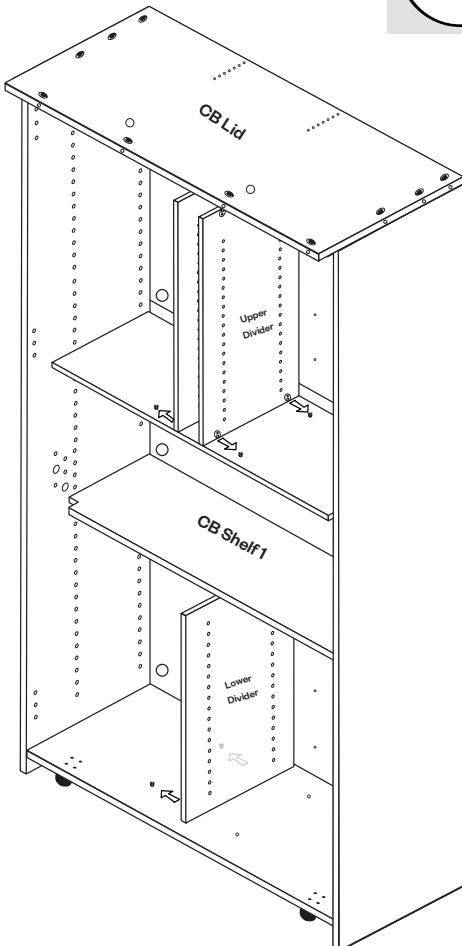
 **x12**  
Connecting  
Bolts

**UPPER SHORT DIVIDERS:**

(Does not come with DreamBox, purchase separately).



**14** Slide **CB Dividers** in one at a time (Finished edge in front) and secure by pushing into installed **white cams** until tight.



**UPPER LONG DIVIDERS:**

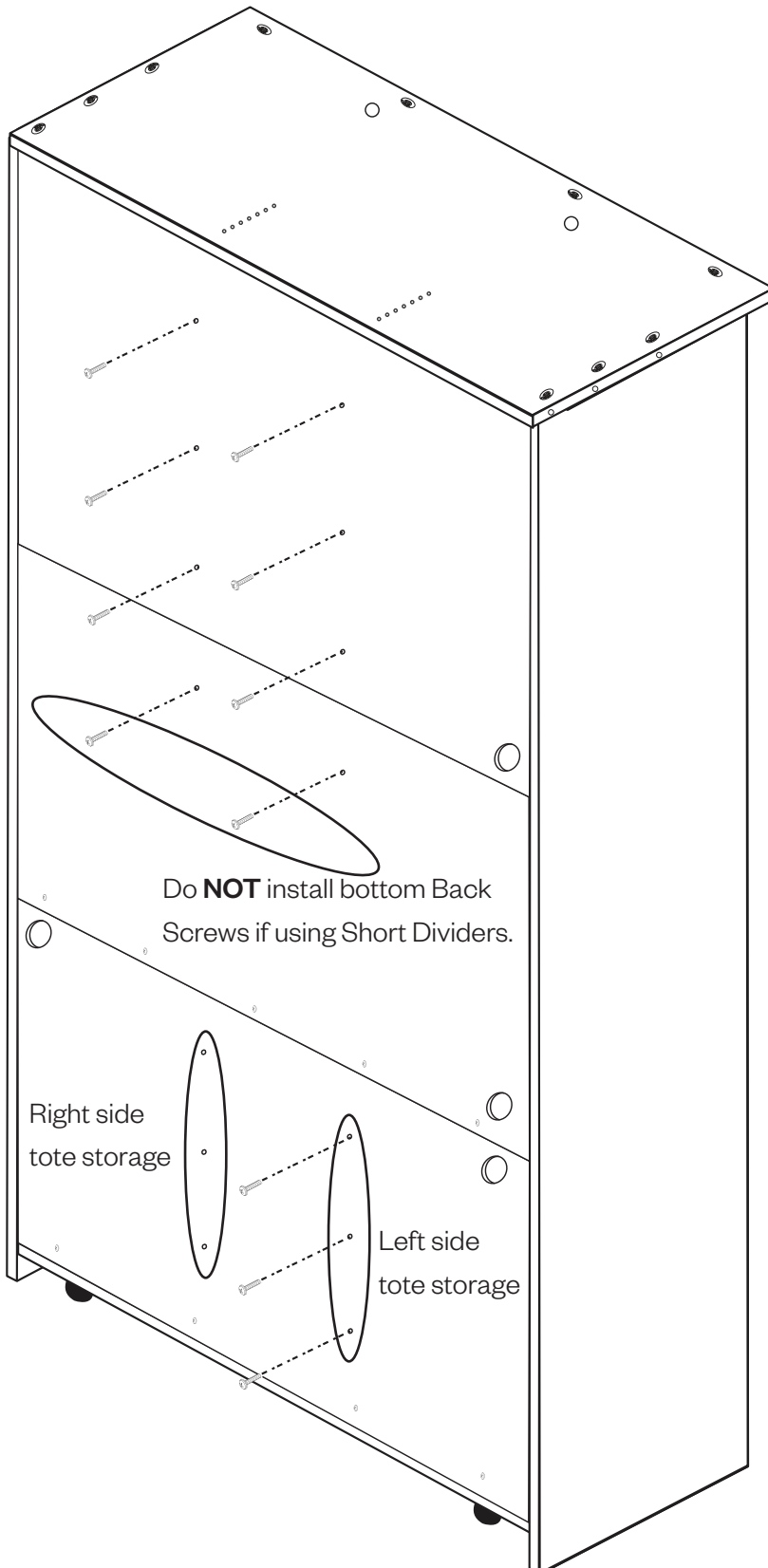
(The upper long dividers that come with the DreamBox).

**TIP:**  
Lower divider can be installed on the left or right side.





15

Install **11 Back Screws** to the corresponding holes. If installing **Short Dividers** install **9 Back Screws**.




**SHORT DIVIDERS:**

 **x9**  
Back Screws

 **x2**  
5 mm Hole Plugs

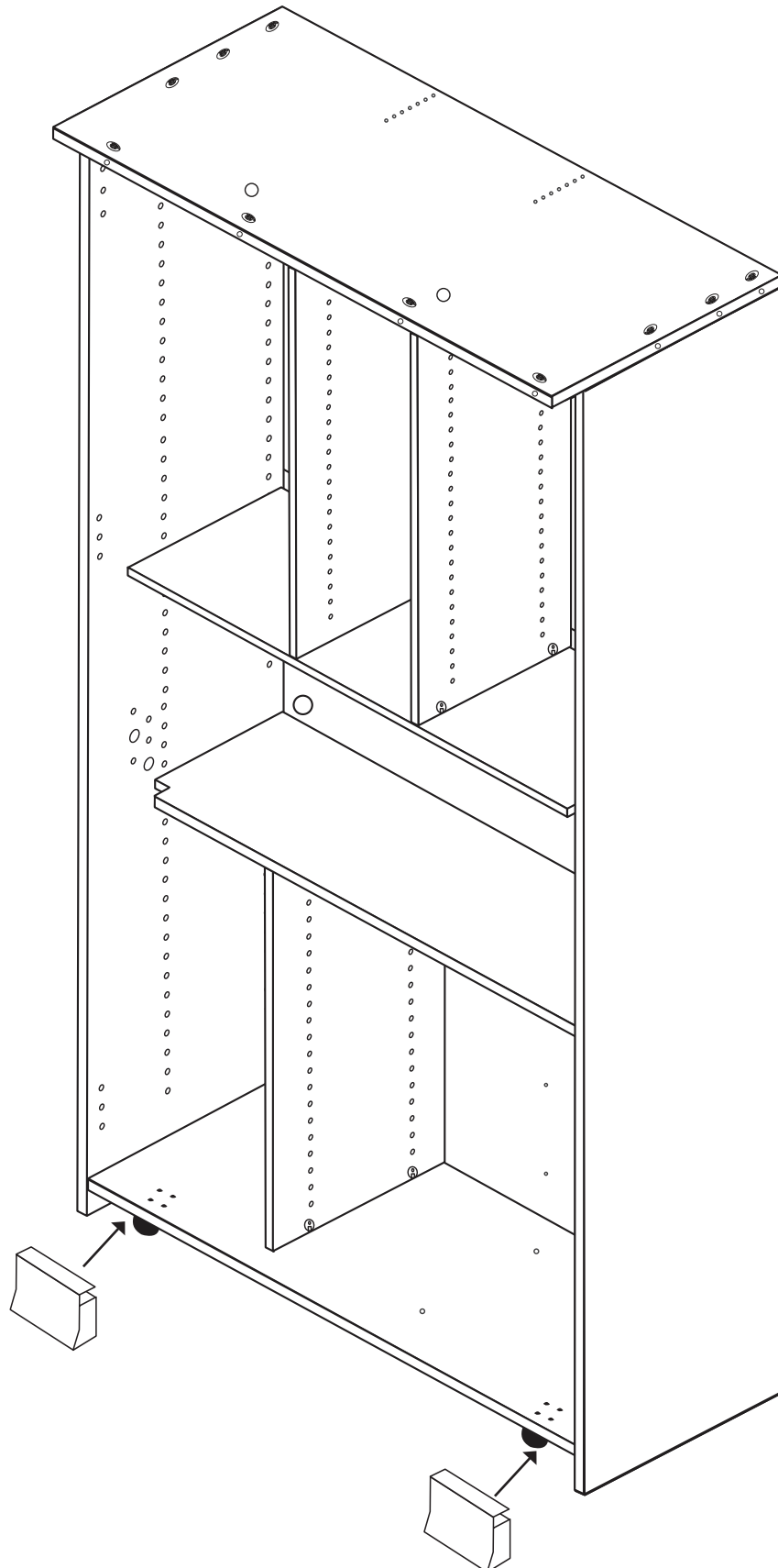
(Insert 5 mm hole plugs into the two open holes from the **INSIDE** of the box).

**LONG DIVIDERS:**

 **x11**  
Back Screws

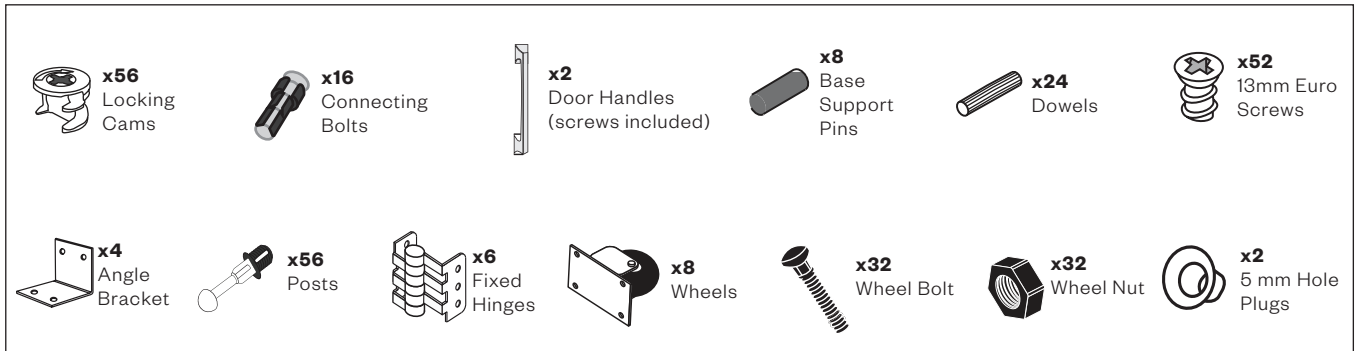
16

Install 2 stabilizers.

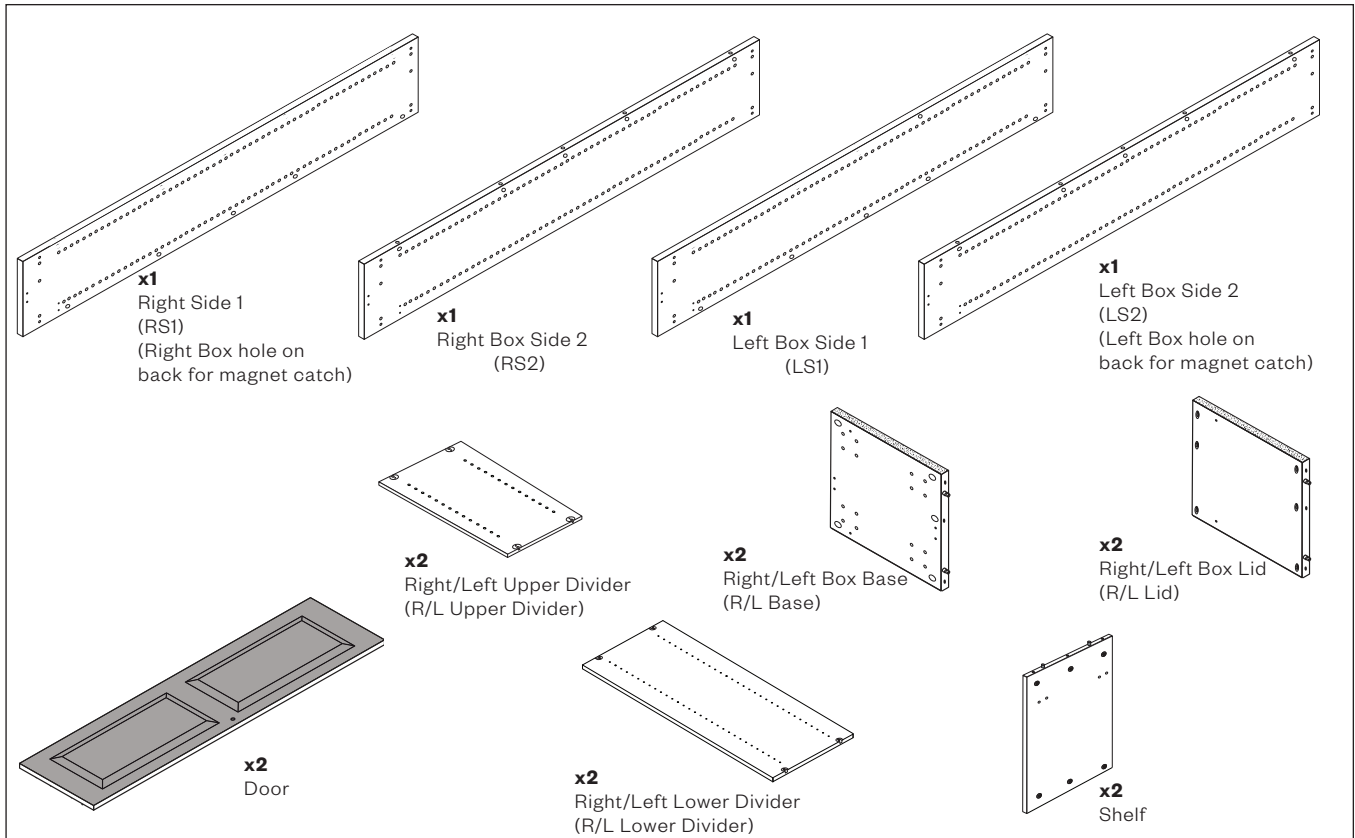


# left and right side boxes

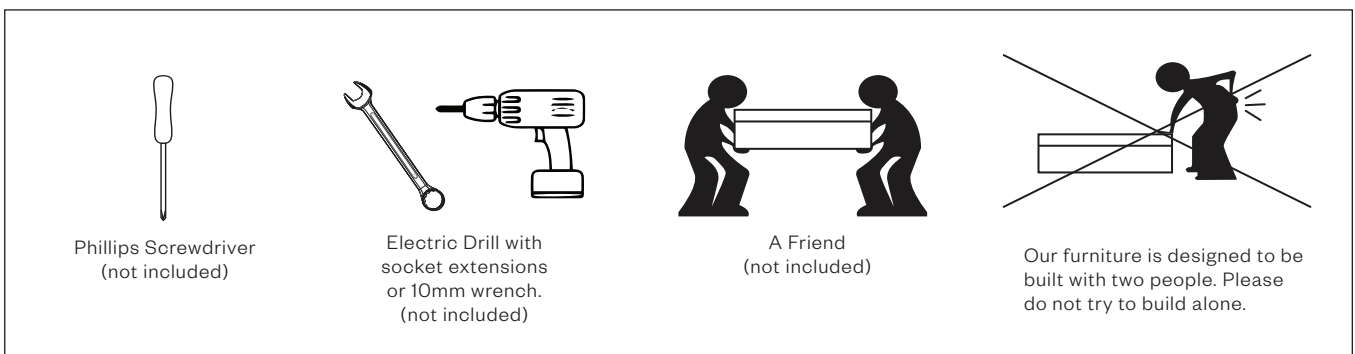
## HARDWARE YOU'LL NEED:



## PARTS INCLUDE:



## TOOLS YOU'LL NEED:



1

**LEFT BOX BASE SHOWN.** (Repeat steps for Right Base).

Install **Wheels** in the corresponding holes. Secure with 10mm wrench.



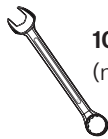
x16  
Wheel Nuts



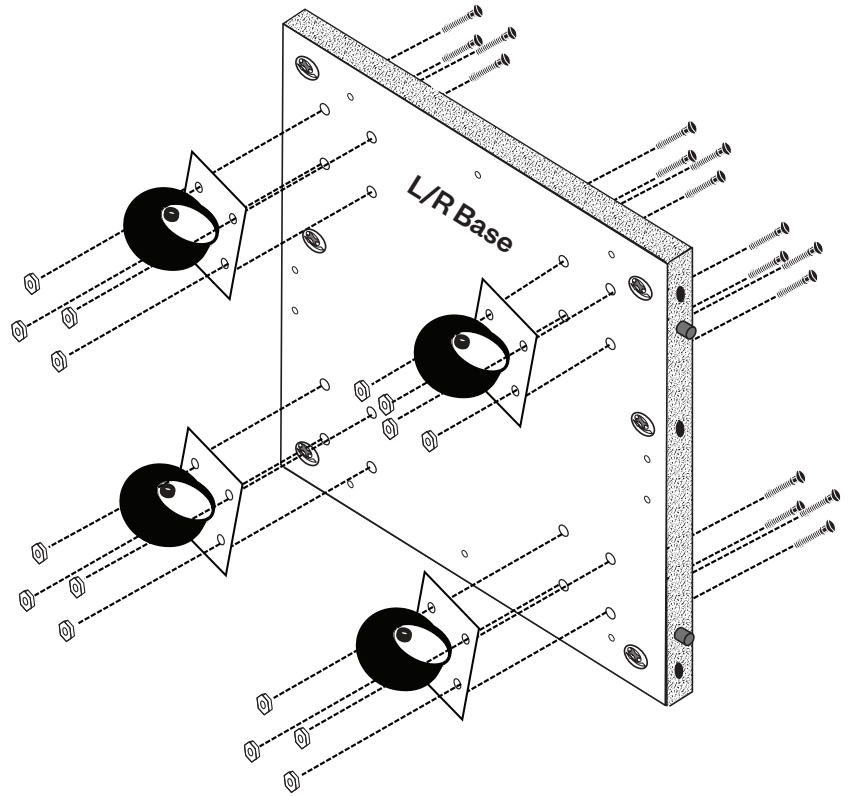
x16  
Wheel Bolts



x4  
Wheels

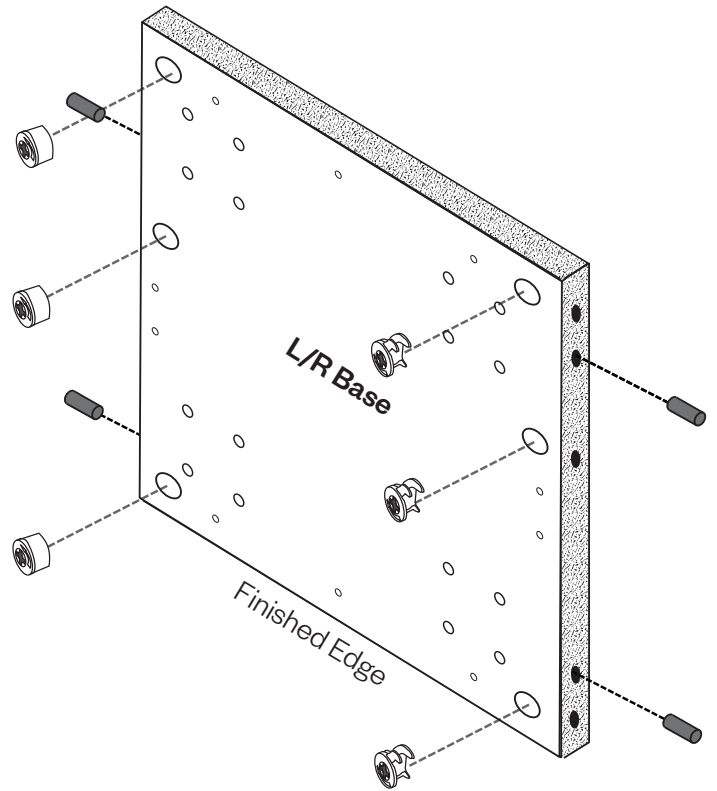
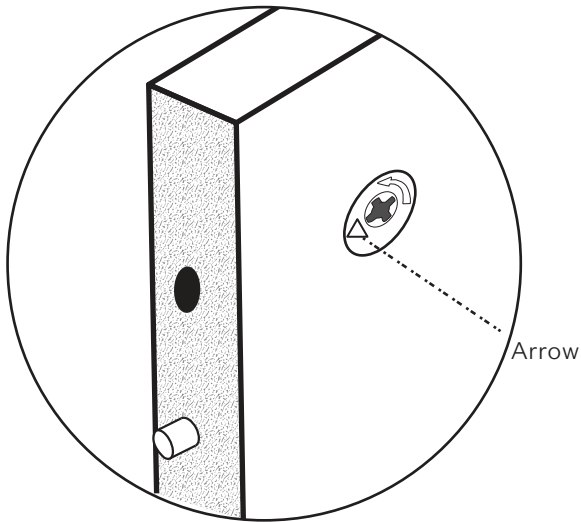


10mm Wrench  
(not included)



2

Install **Dowels** and **Cams** in corresponding holes.



x4  
Dowels

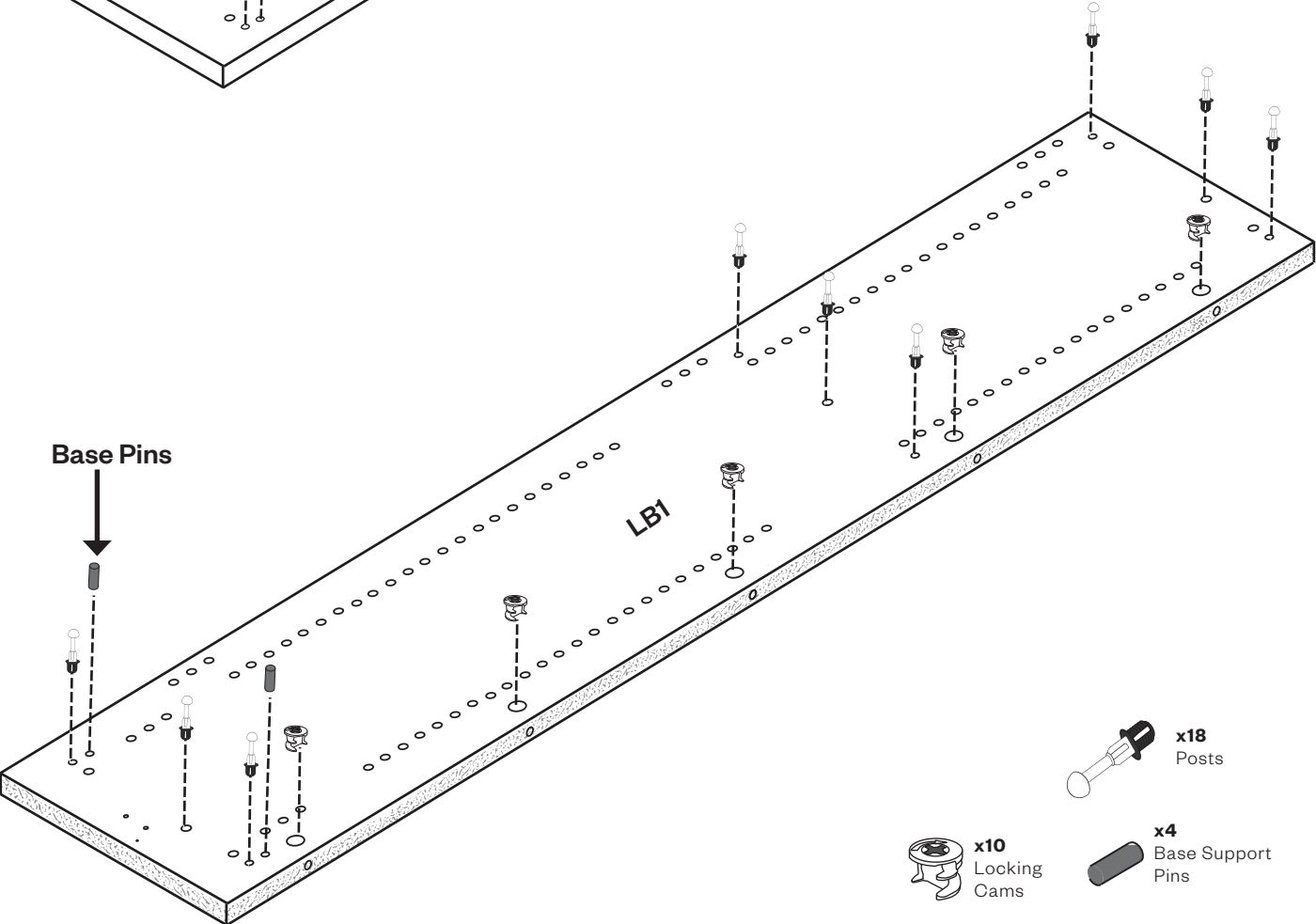
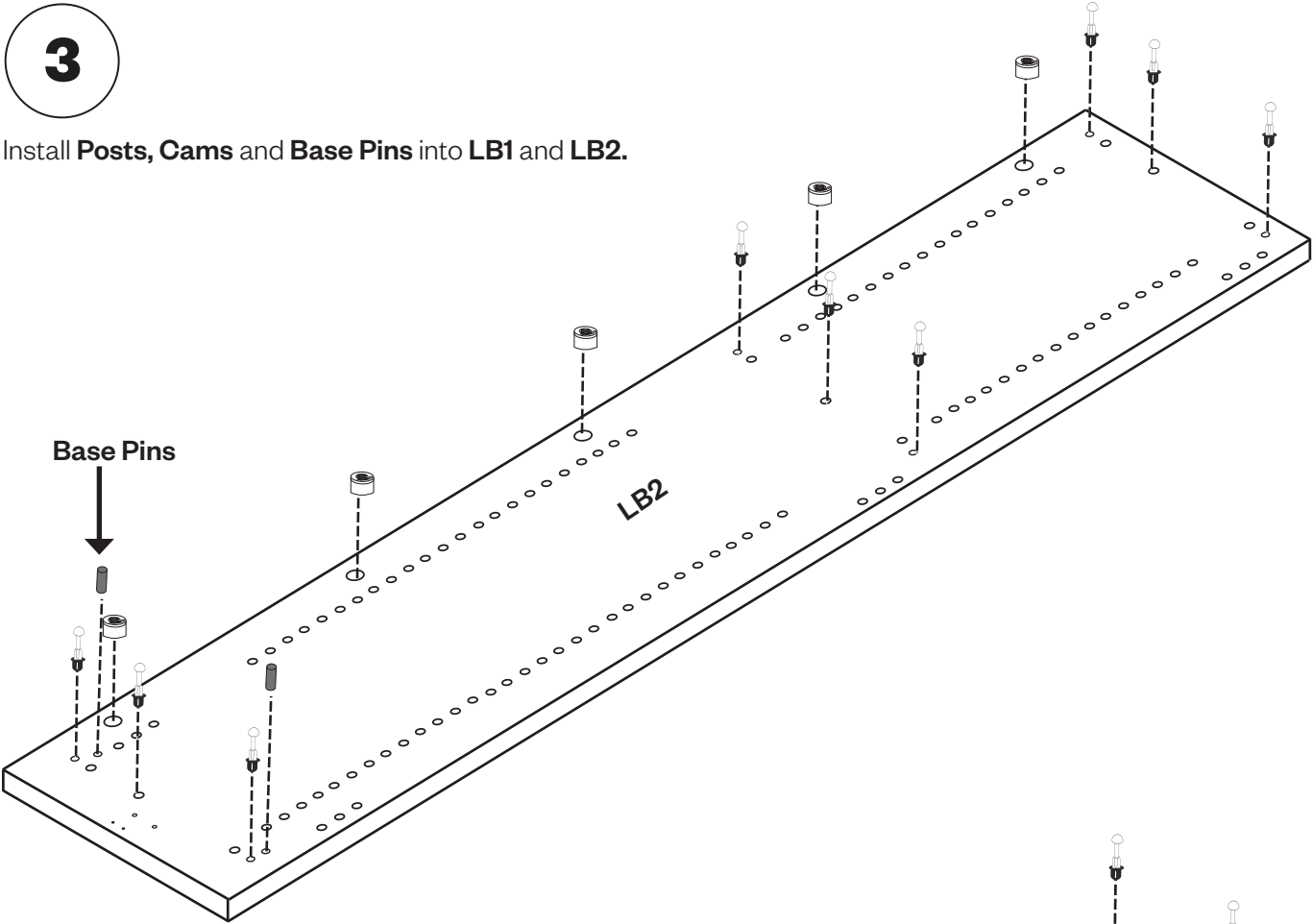


x6  
Locking  
Cams

**TIP:**  
Tap in **Dowels** lightly with hammer.

# 3

Install **Posts, Cams** and **Base Pins** into **LB1** and **LB2**.



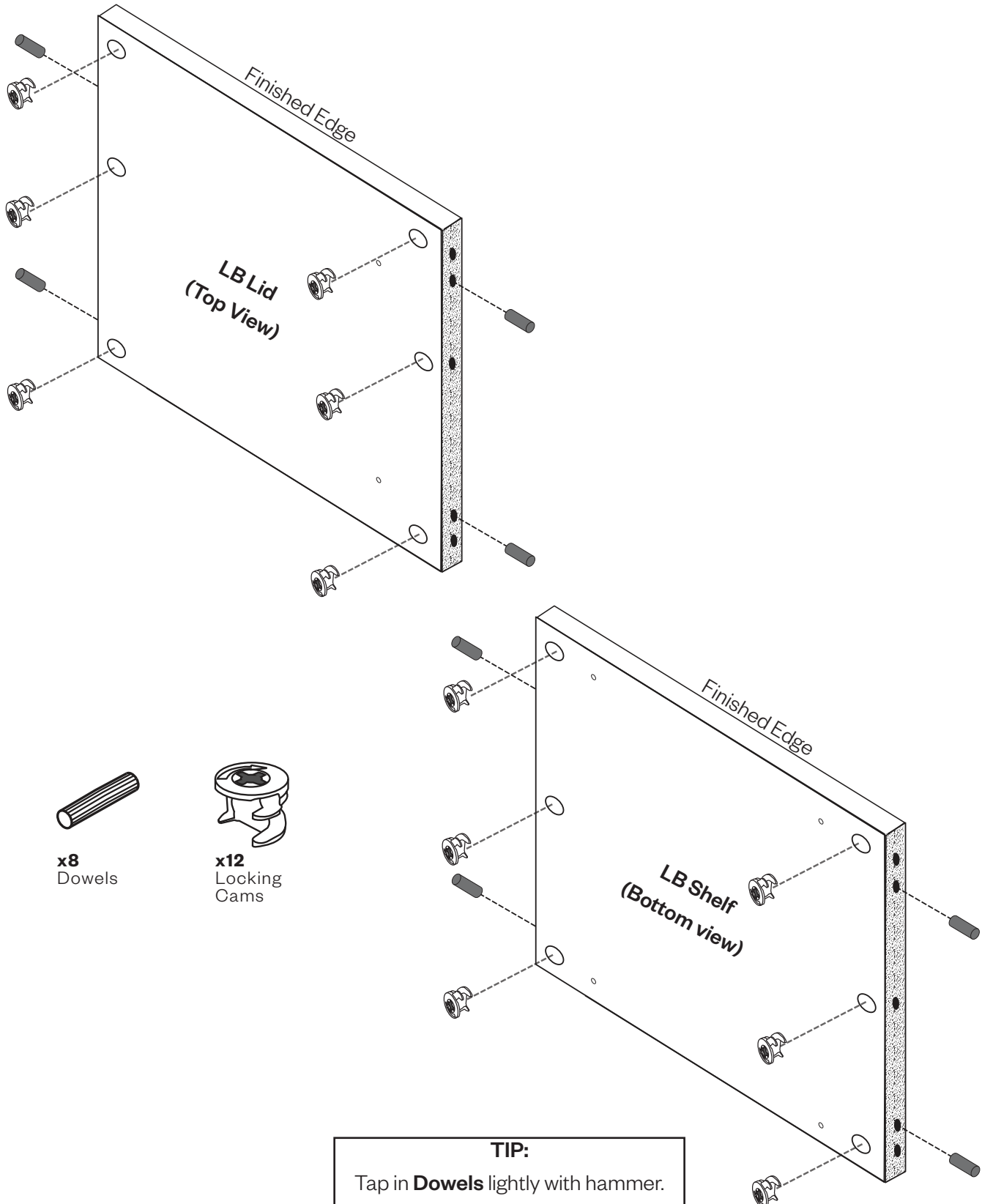
**x10**  
Locking  
Cams

**x18**  
Posts

**x4**  
Base Support  
Pins

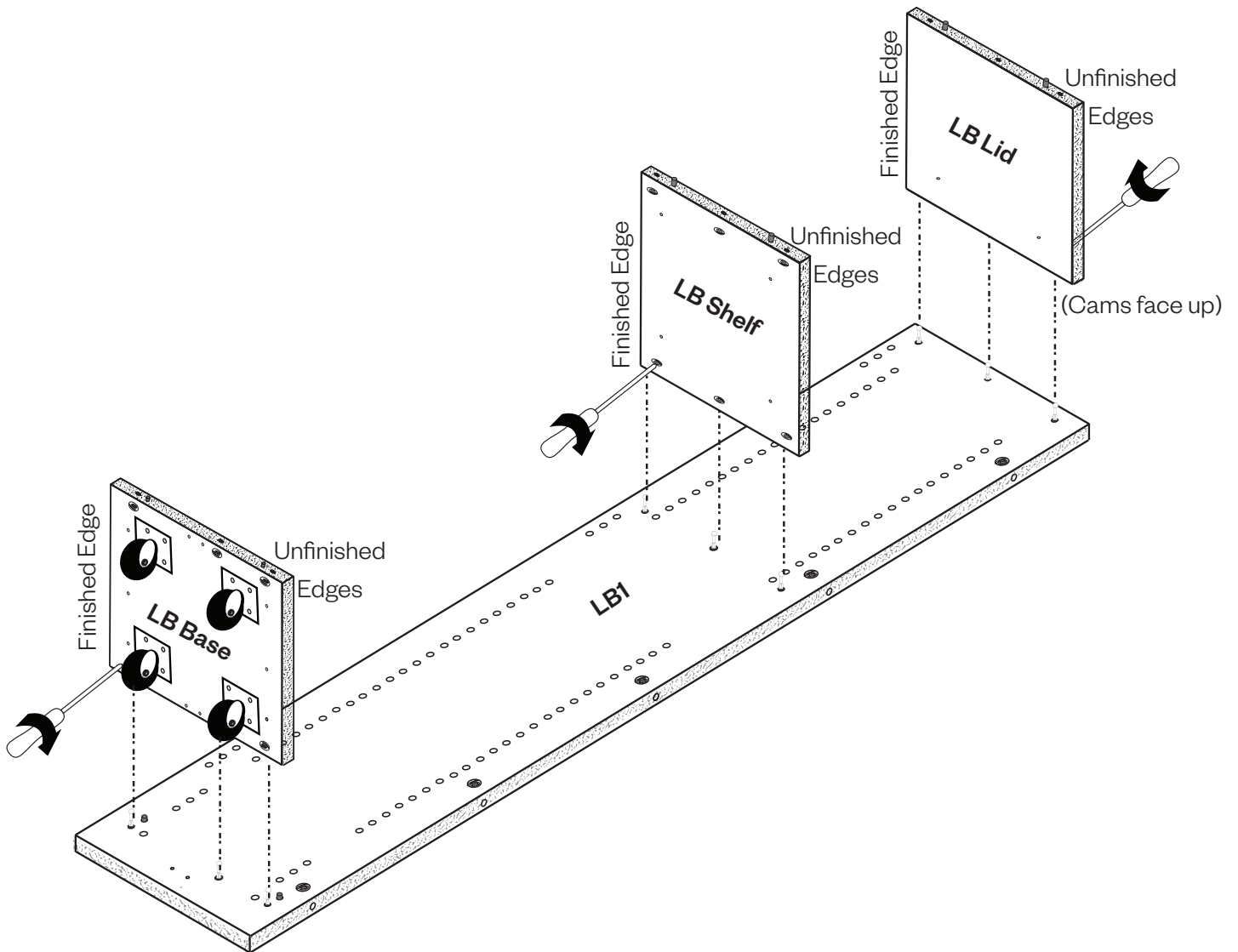
# 4

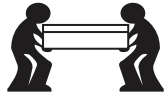
Install **Dowels** and **Cams** to the corresponding holes.



# 5

Attach **LB Base**, **LB Shelf**, and **LB Lid**. Secure by tightening **9 Cams**.

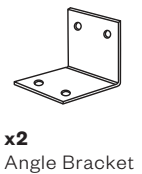
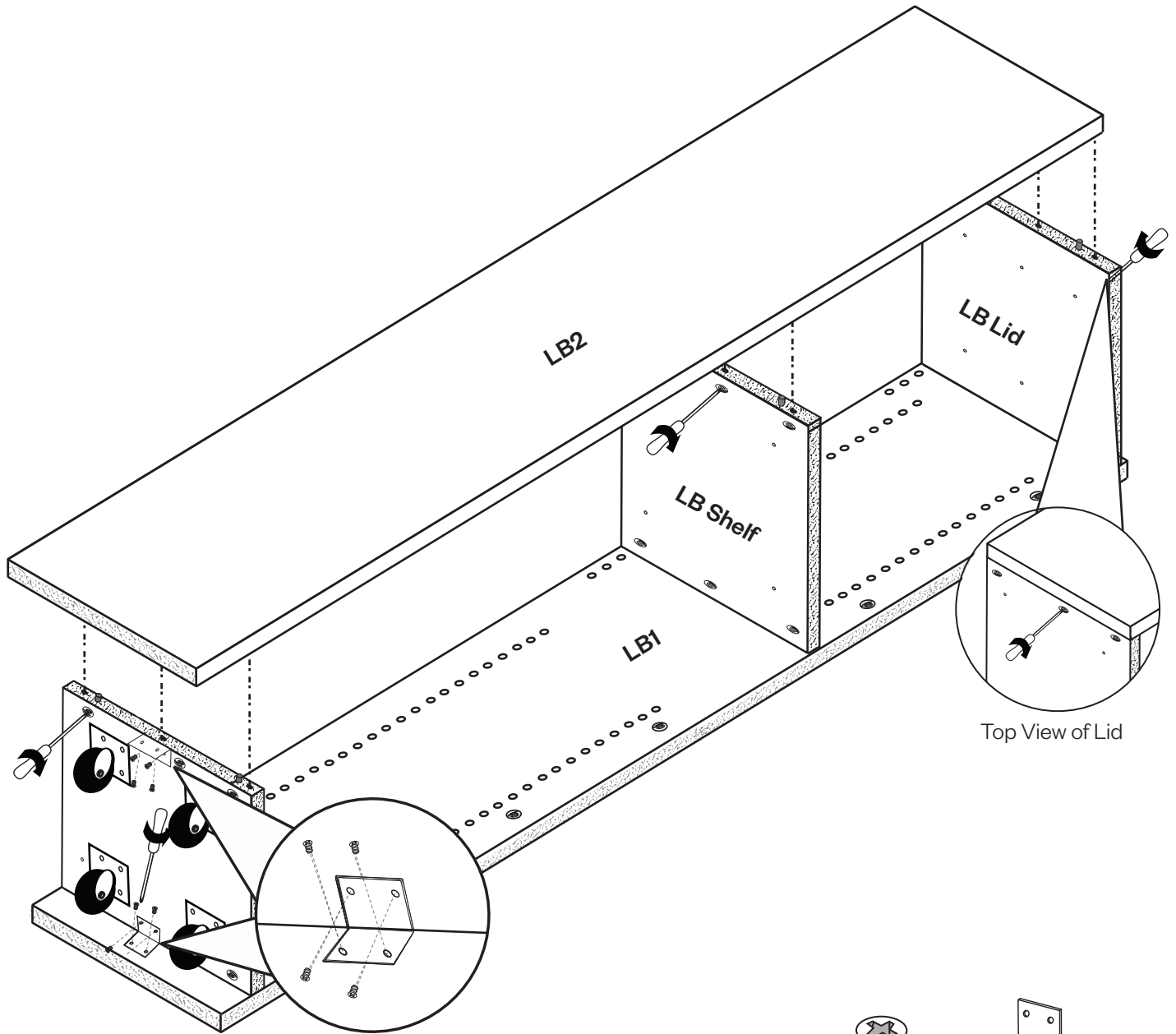




**CAUTION:** This step requires two people.

**6**

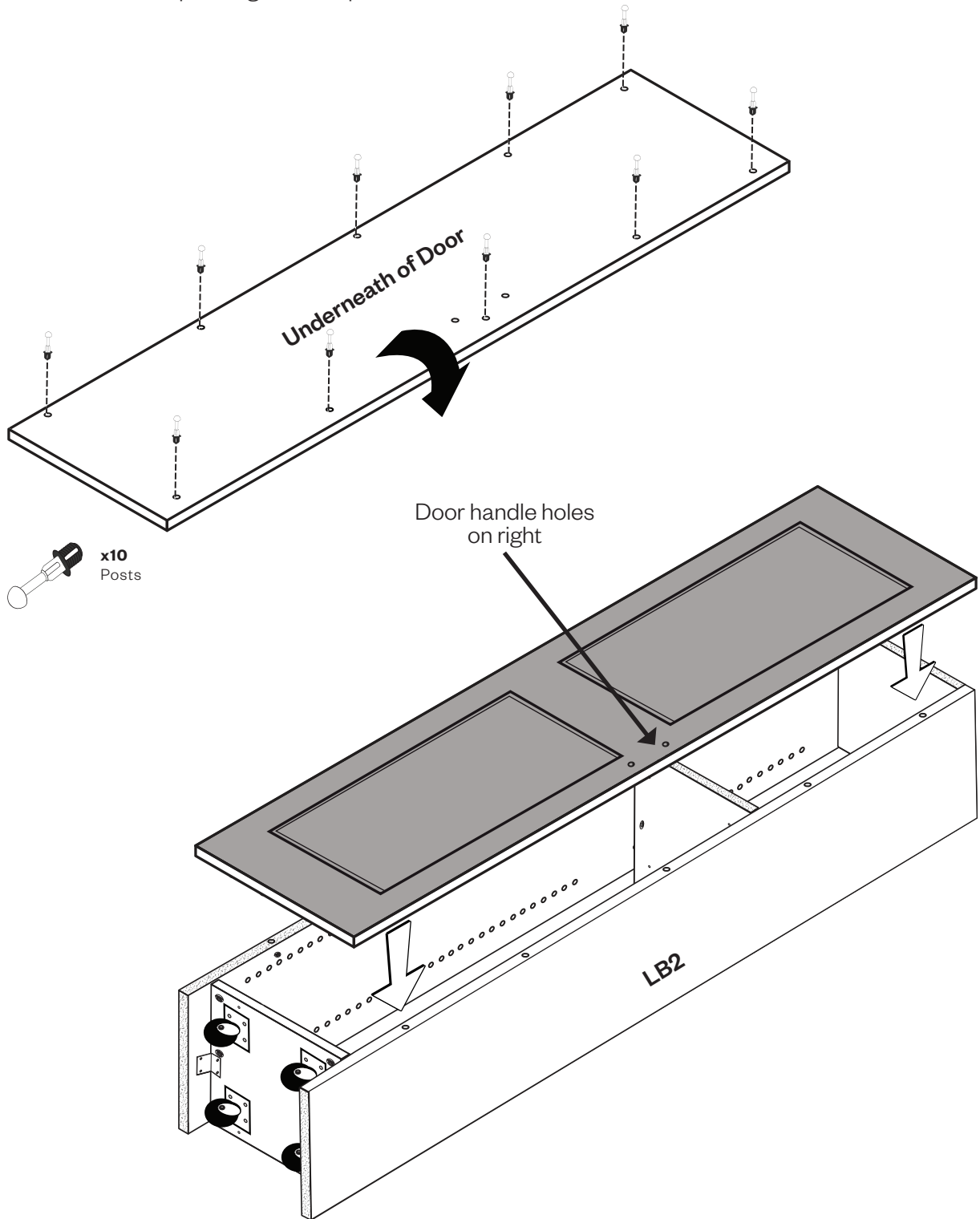
Attach **LB2** to **LB base**, **LB Shelf**, **LB Lid**. Secure by tightening **9 Cams**.  
Install **2 Angle Brackets** using **8 Euro Screws**.





# 7

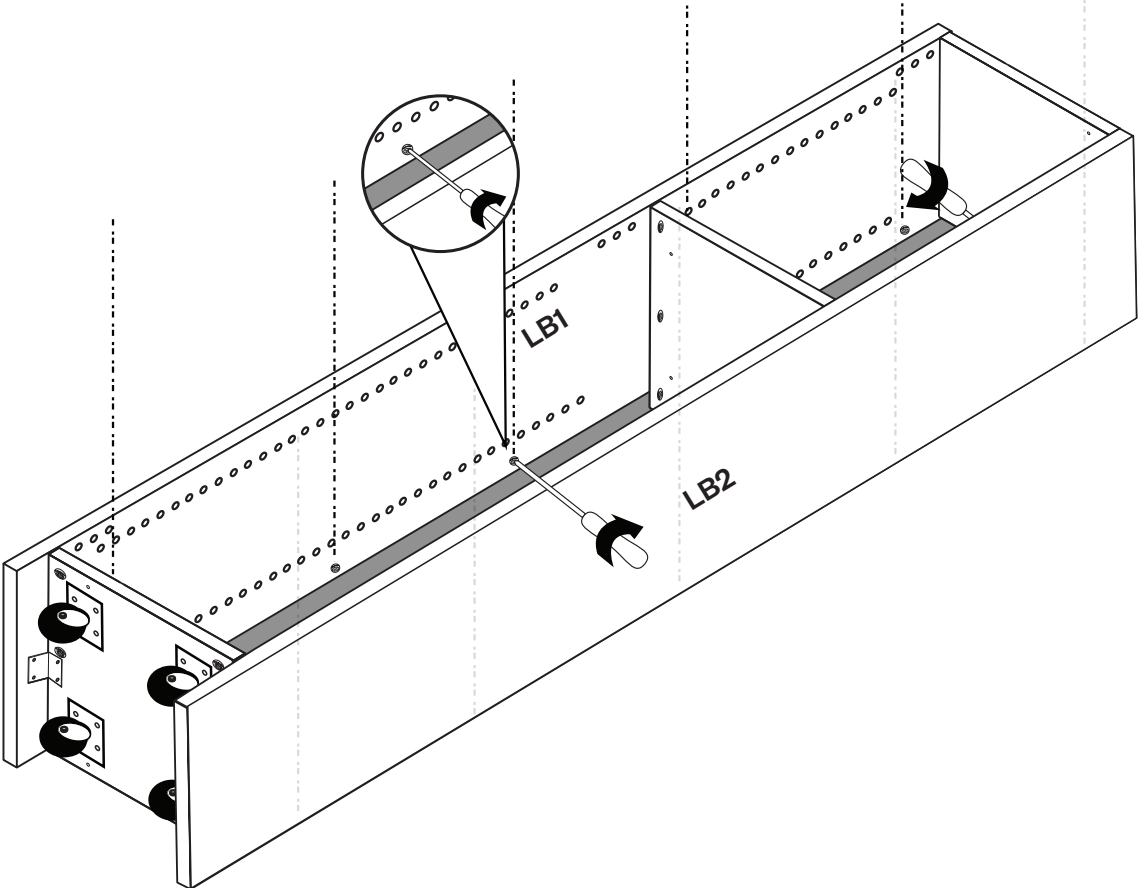
Install **10 Posts** to the corresponding holes. Flip the **door** onto **LB1** and **2**.



**TIP:**  
Do NOT force posts into holes on LB1 and 2.  
They will drop into place.

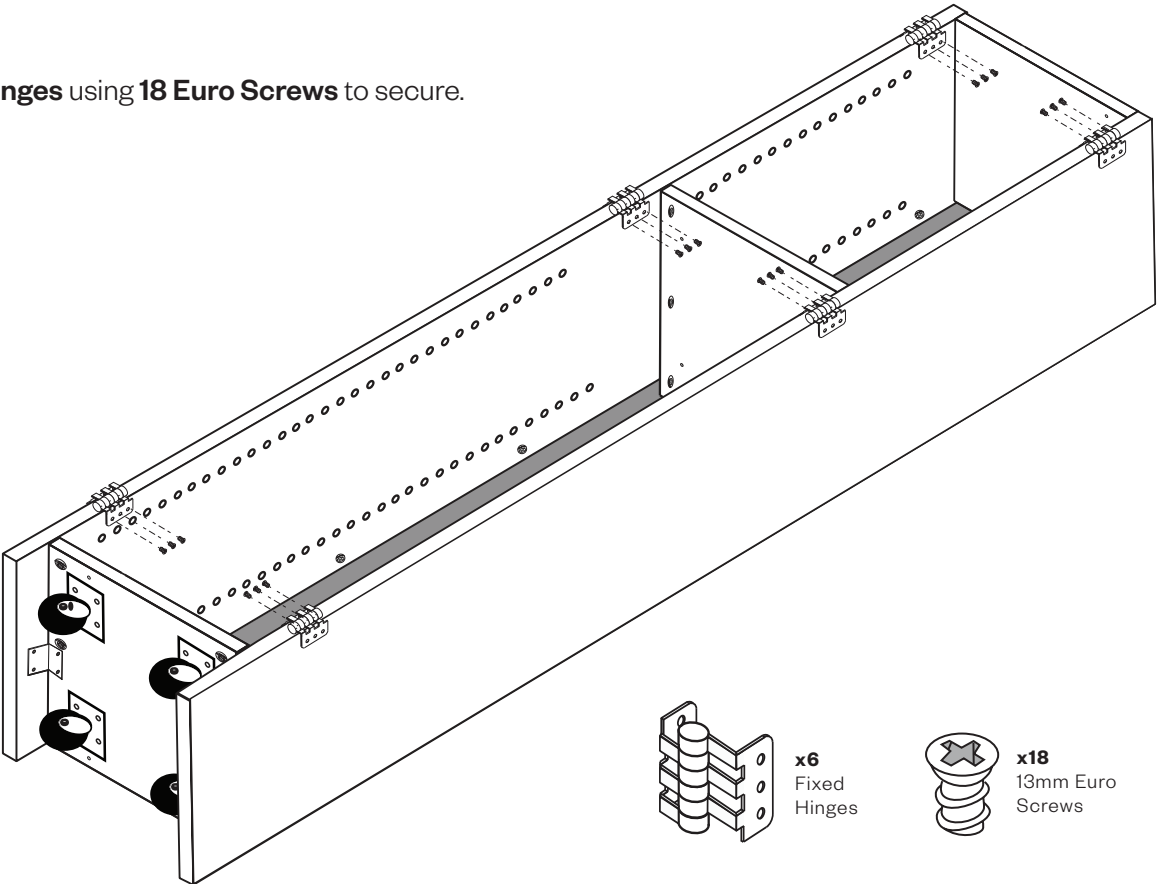
8

Flip section over with **door** facing the ground. Tighten **10 cams** to secure **door**.



9

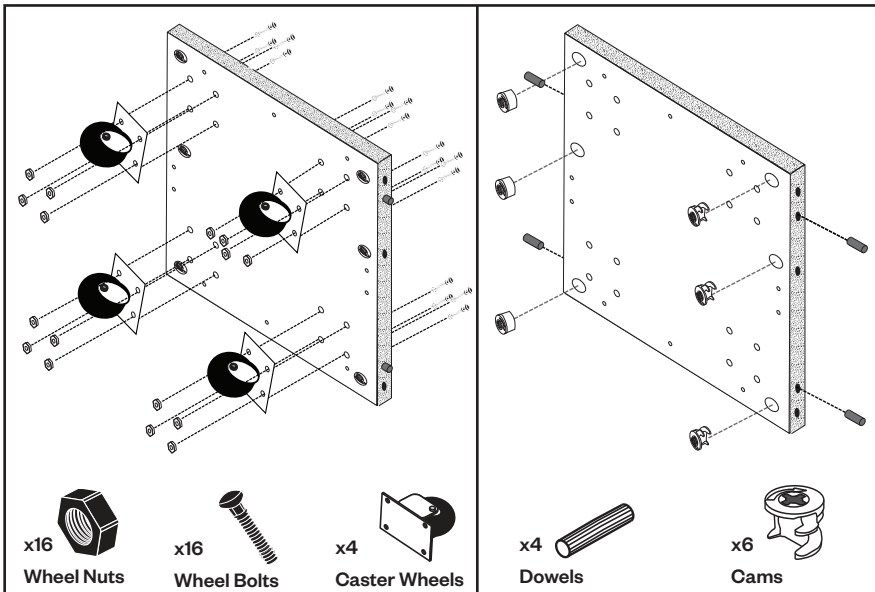
Install **6 hinges** using **18 Euro Screws** to secure.



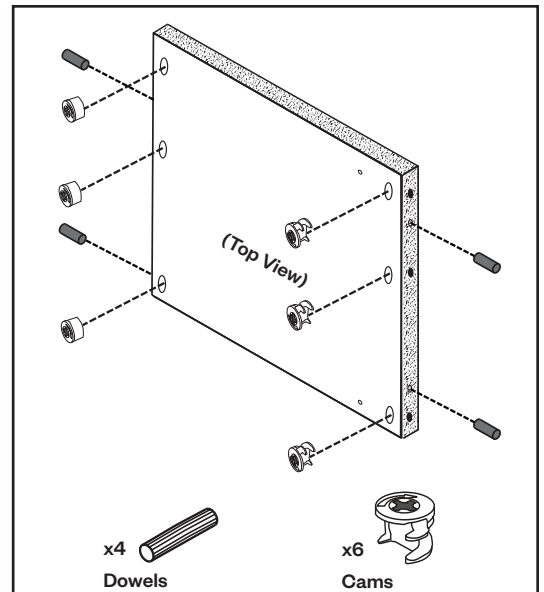
# 10

Install hardware into **RIGHT SIDE** pieces.

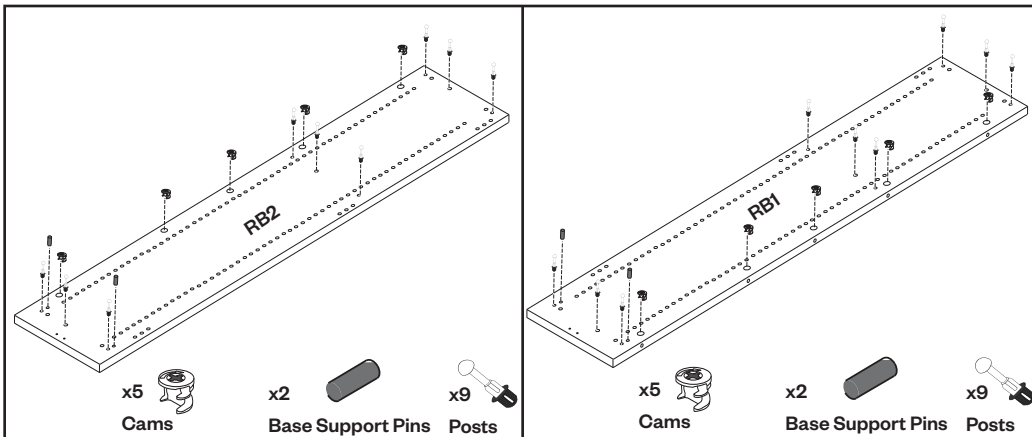
## RB Base:



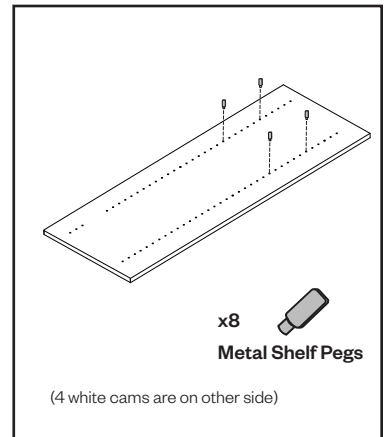
## RB Lid:



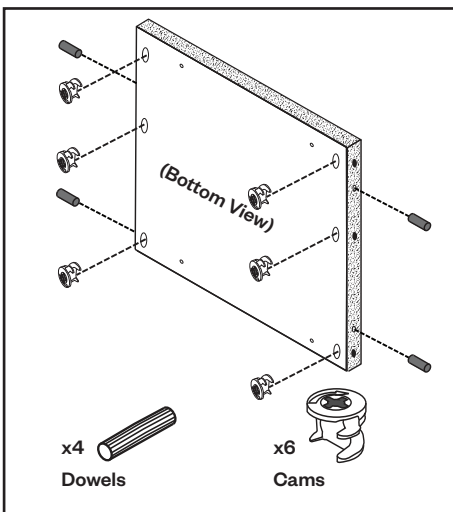
## RB1 and RB2:



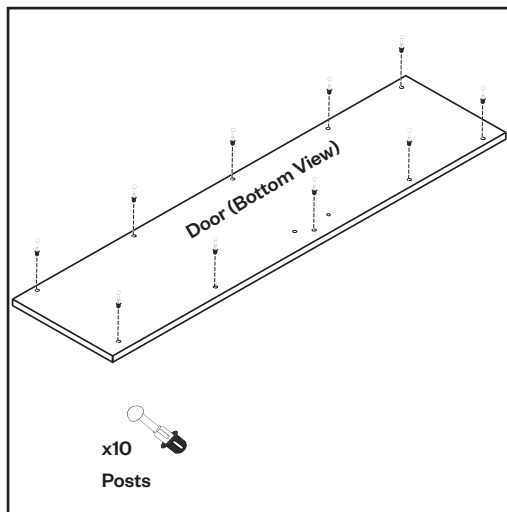
## R/L Lower Divider:



## RB Fixed Shelf:



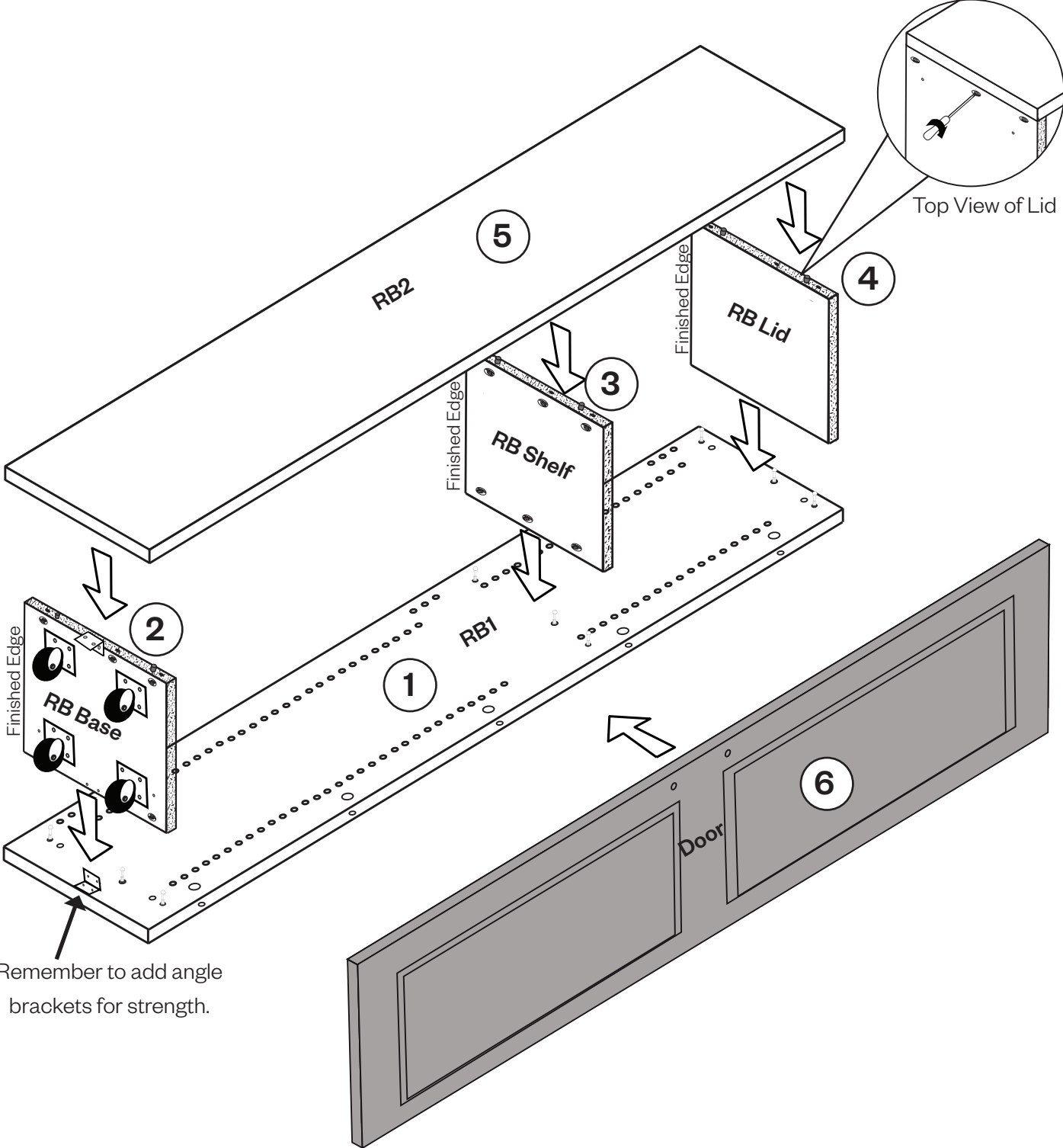
## RB Door:

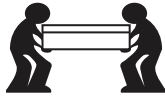


# 11

## RIGHT SIDE BOX SHOWN.

Repeat steps used to build the Left Side Box.





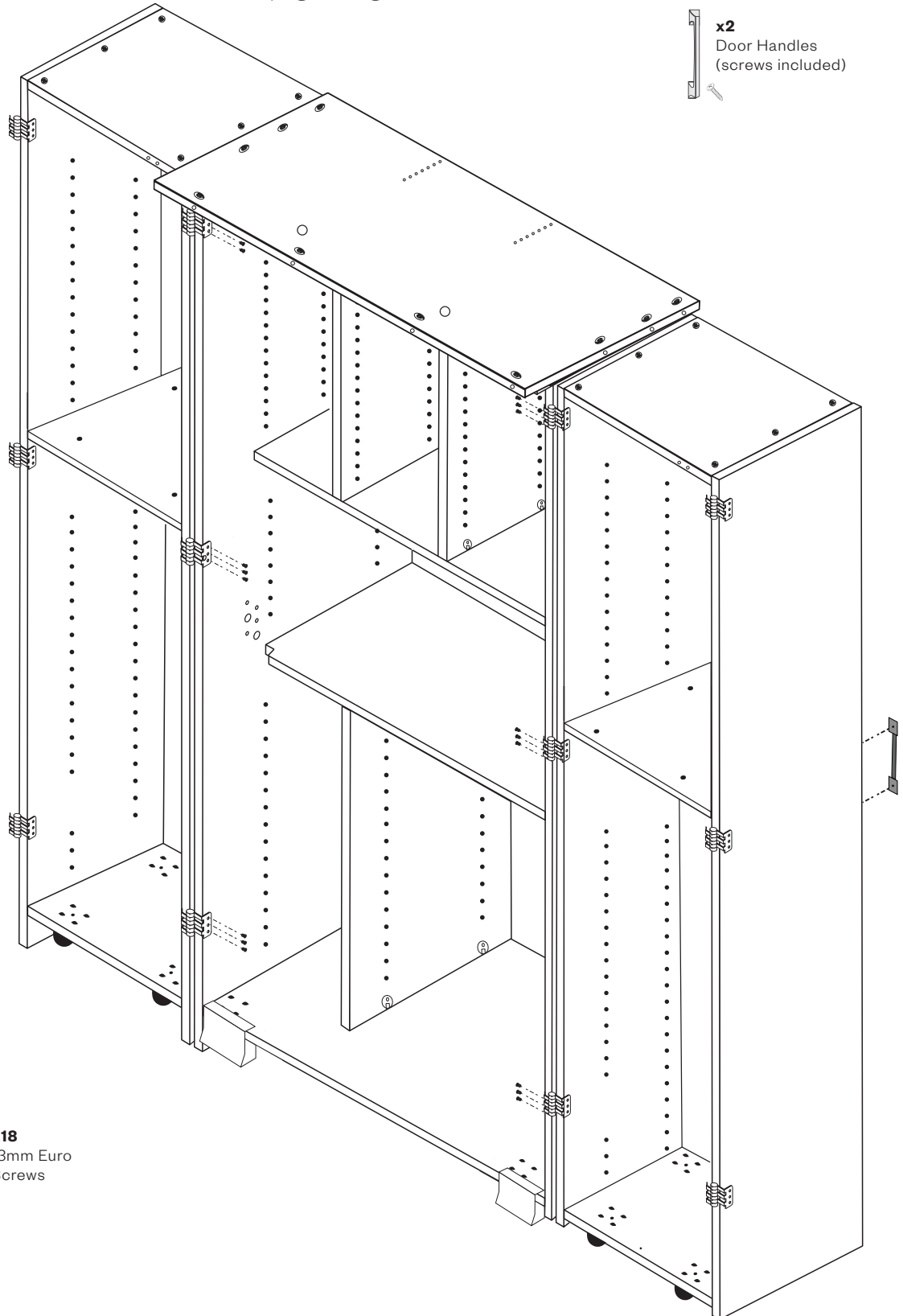
**CAUTION:** This step requires two people.

**12**

Attach both **Left** and **Right Boxes** to **Center Box** using **6 Hinges** and **18 Euro Screws**.

**13**

Install **Door Handles** by placing screws through predrilled holes in **Left** and **Right boxes** and attaching them to **door handle**. Secure by tightening **screws**.



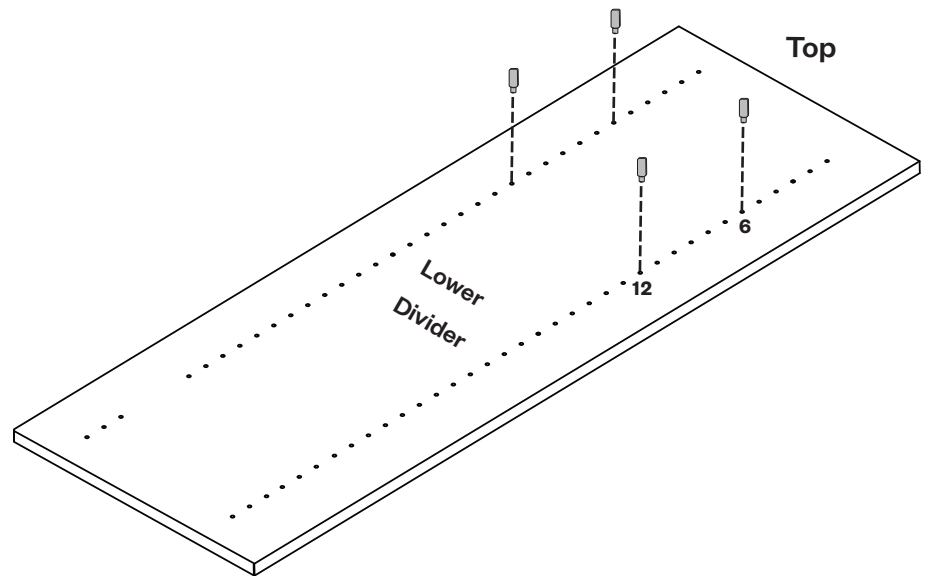
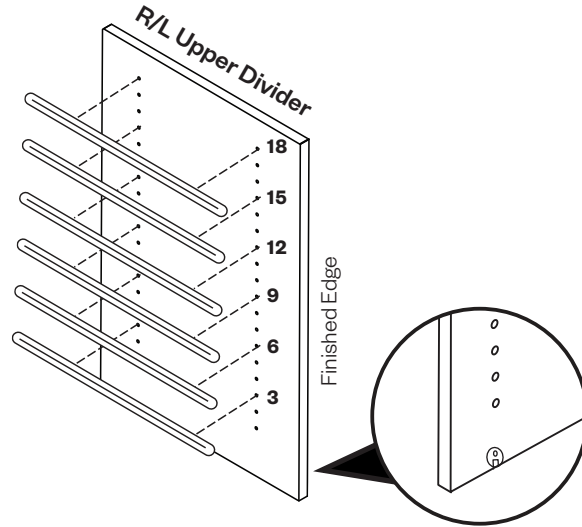
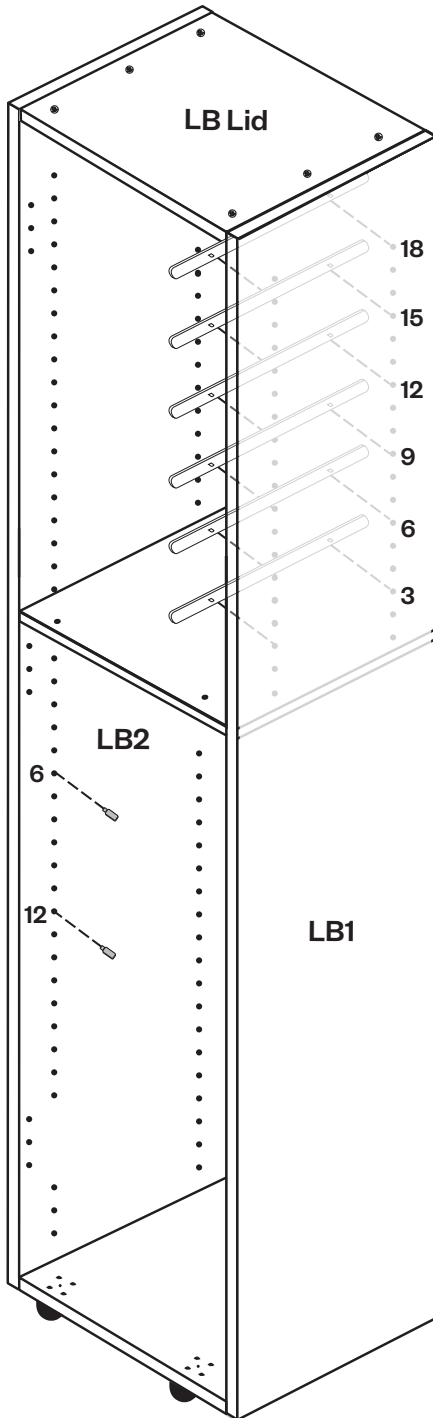
**x18**  
13mm Euro  
Screws

# 14

**14.1:** Install **tote tracks** into **R/L Upper Divider**.

**14.2:** Install **metal shelf pegs** on **R/L Lower Divider**.

**14.3:** Install **tote tracks** on **LB1**, and **shelf pegs** on **LB2** corresponding with **tracks/pegs** in **dividers**.



## TIP:

**1.** First, place dividers in the DreamBox to test their fit. Once you have determined the correct placement, remove the dividers and install the tracks accordingly.

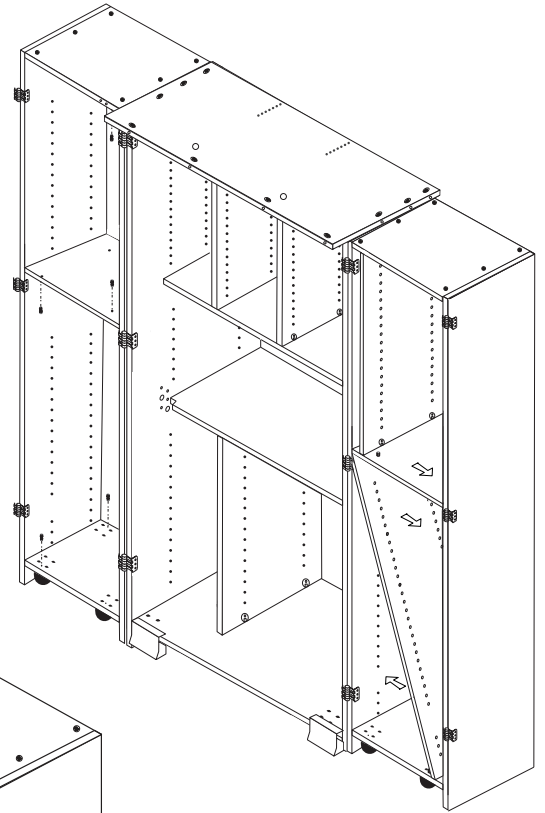
**2.** Make sure White Cams are facing away from the small tote section.

# 15

**15.1:** Place **12 Connecting Bolts** in the corresponding holes on both the **left** and **right** boxes.

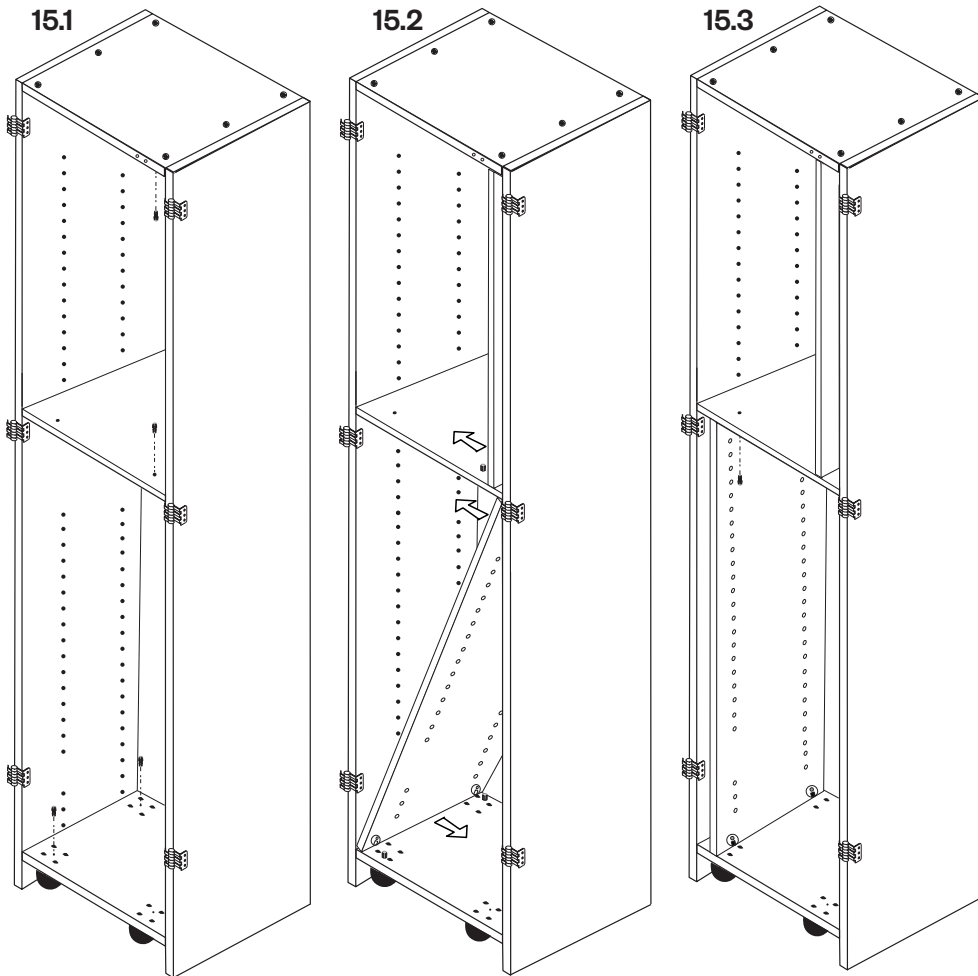
**15.2:** Install **R/L Upper** and **Lower Dividers** with the **white cams** facing away from the small tote section.

**15.3:** Install the **4** remaining **connecting bolts** under **LB** and **RB Shelf**. Secure by locking **16 white cams**.



## LEFT SIDE SHOWN:

(Repeat steps for right side)

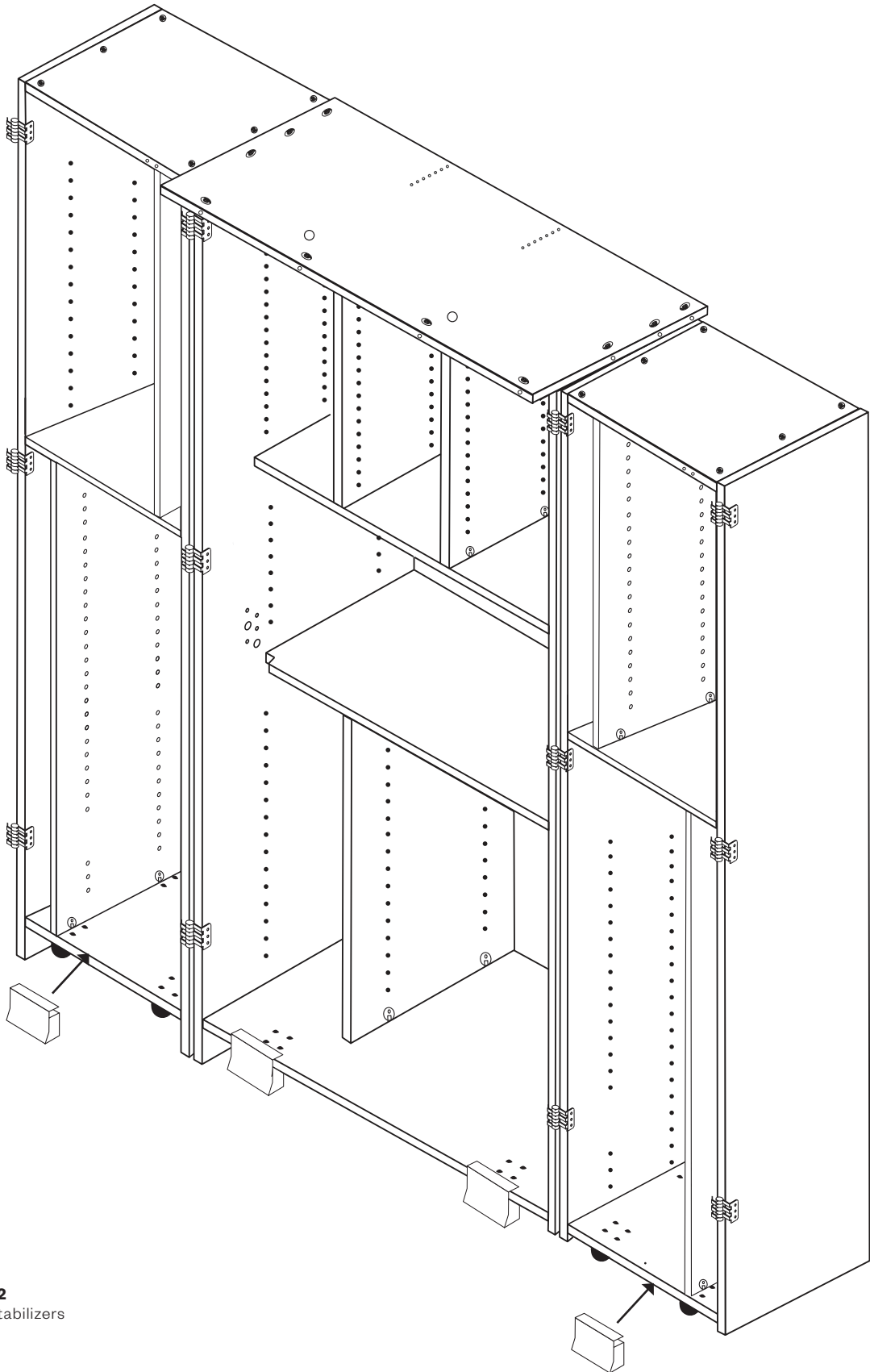


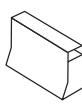
### TIP:

If the side tables were purchased, place Lower Dividers on the outer most part of the box.

# 16

Add **Stabilizers** to **Side Boxes**.

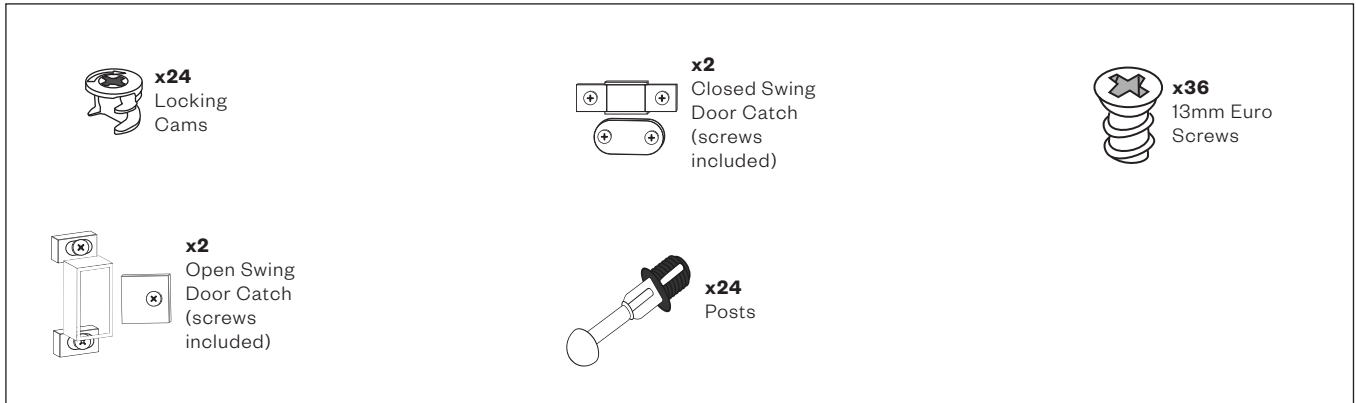


 **x2**  
Stabilizers

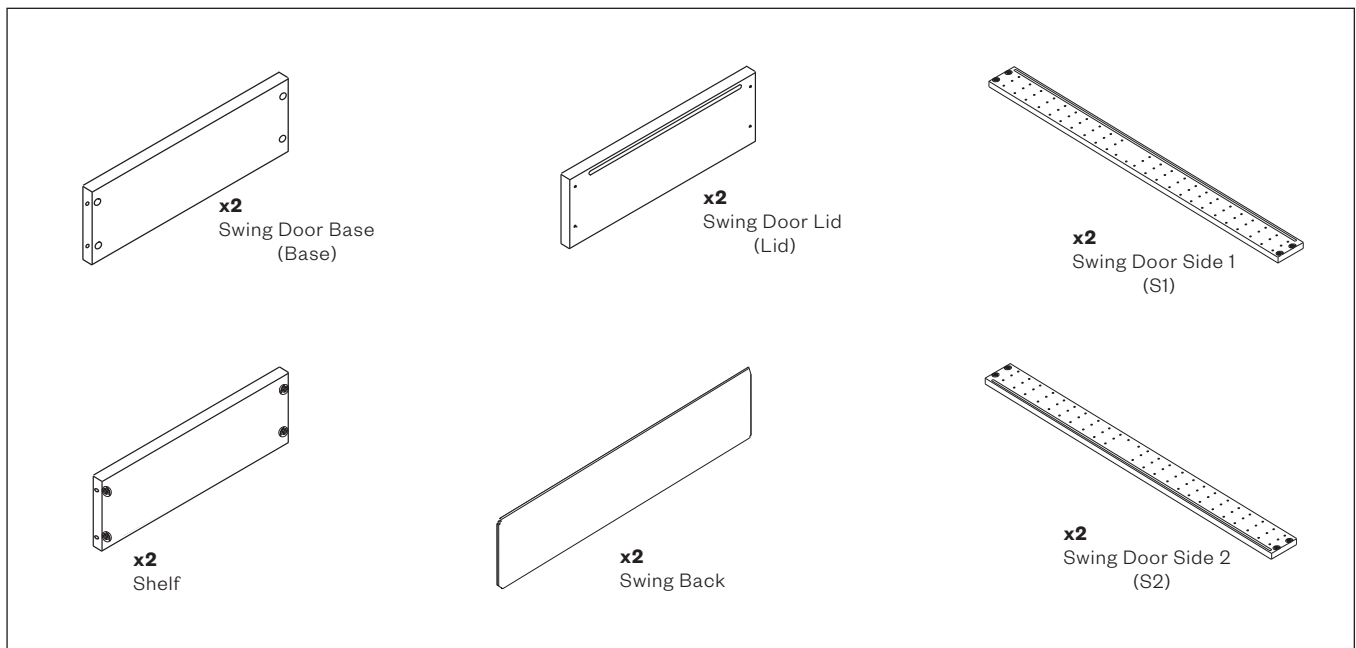


# left and right swing door

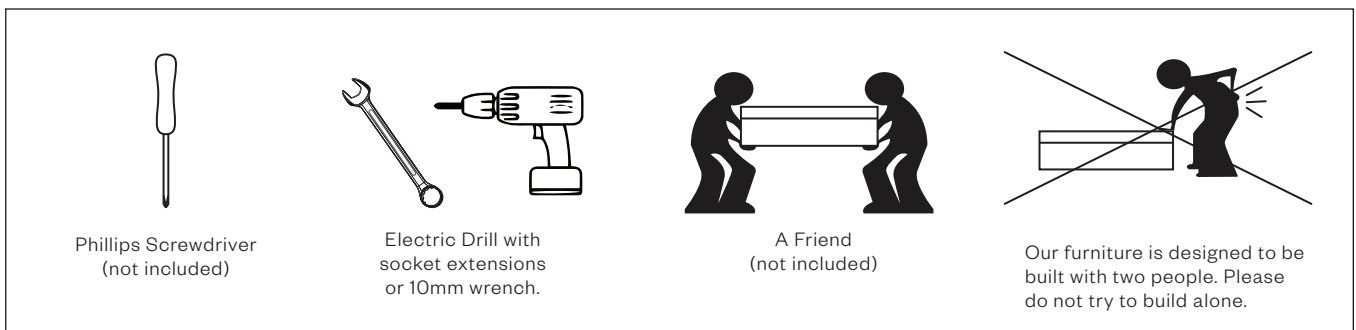
## HARDWARE YOU'LL NEED:



## PARTS INCLUDE:

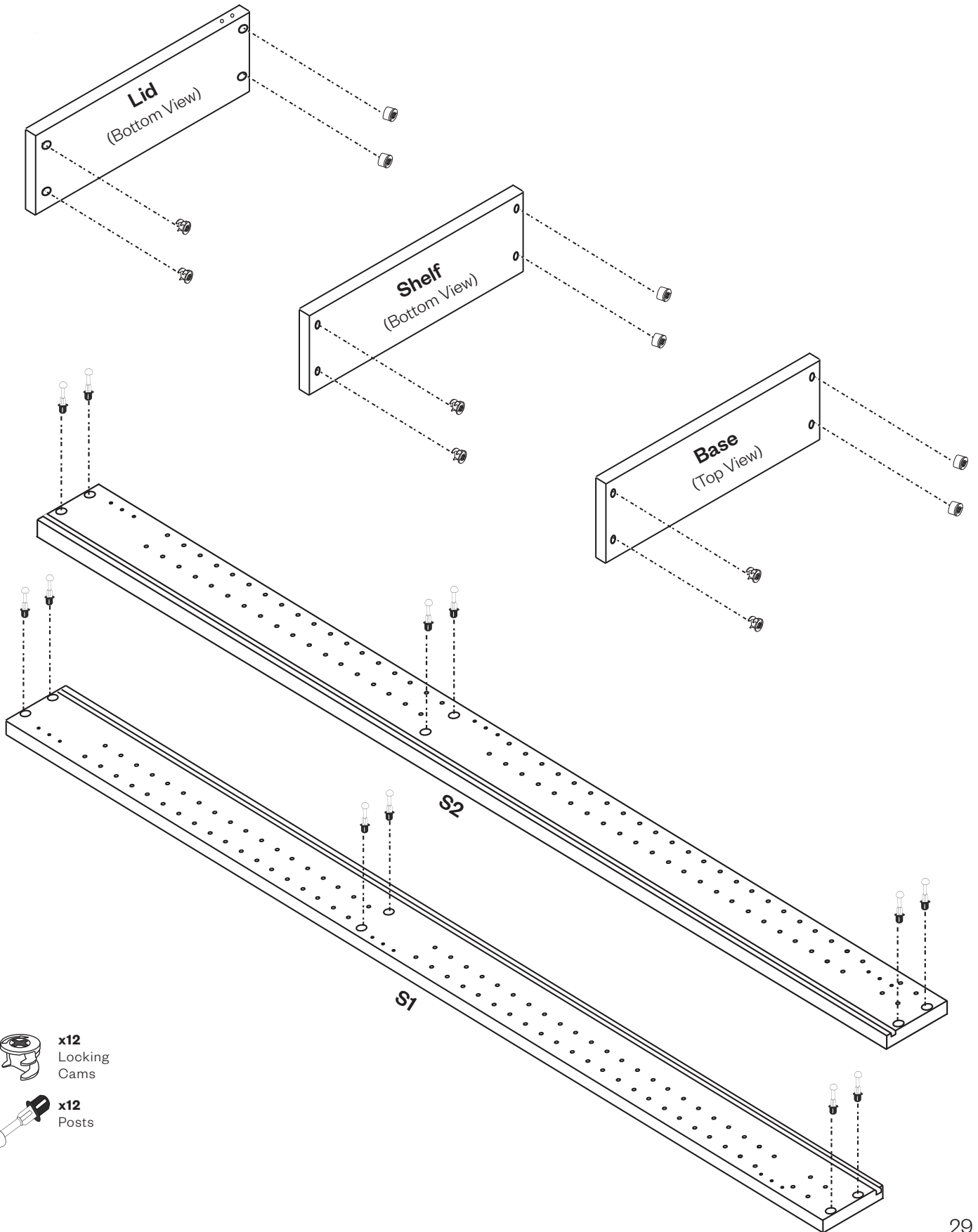


## TOOLS YOU'LL NEED:



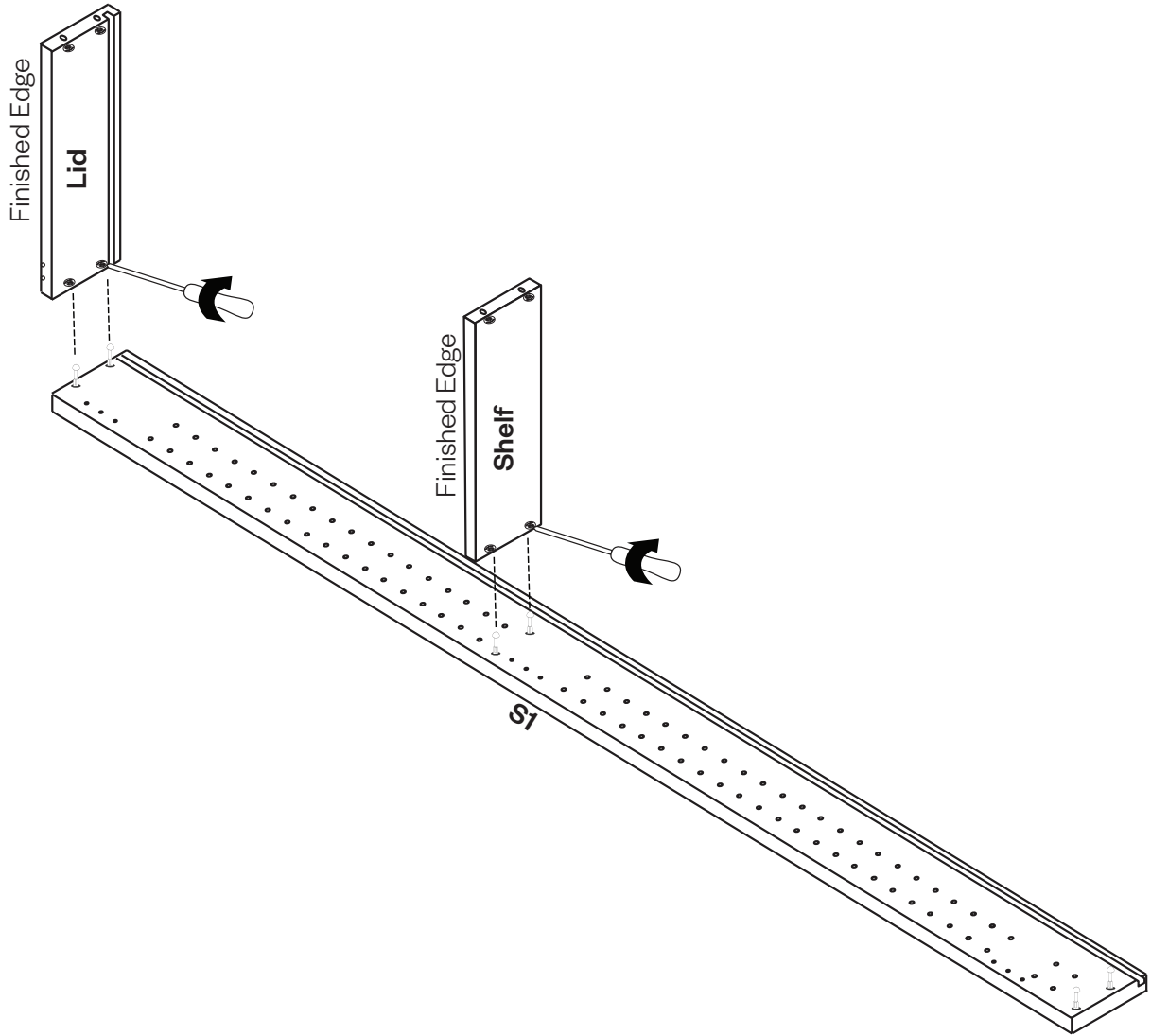
1

Install **post** and **cams** into the corresponding holes.



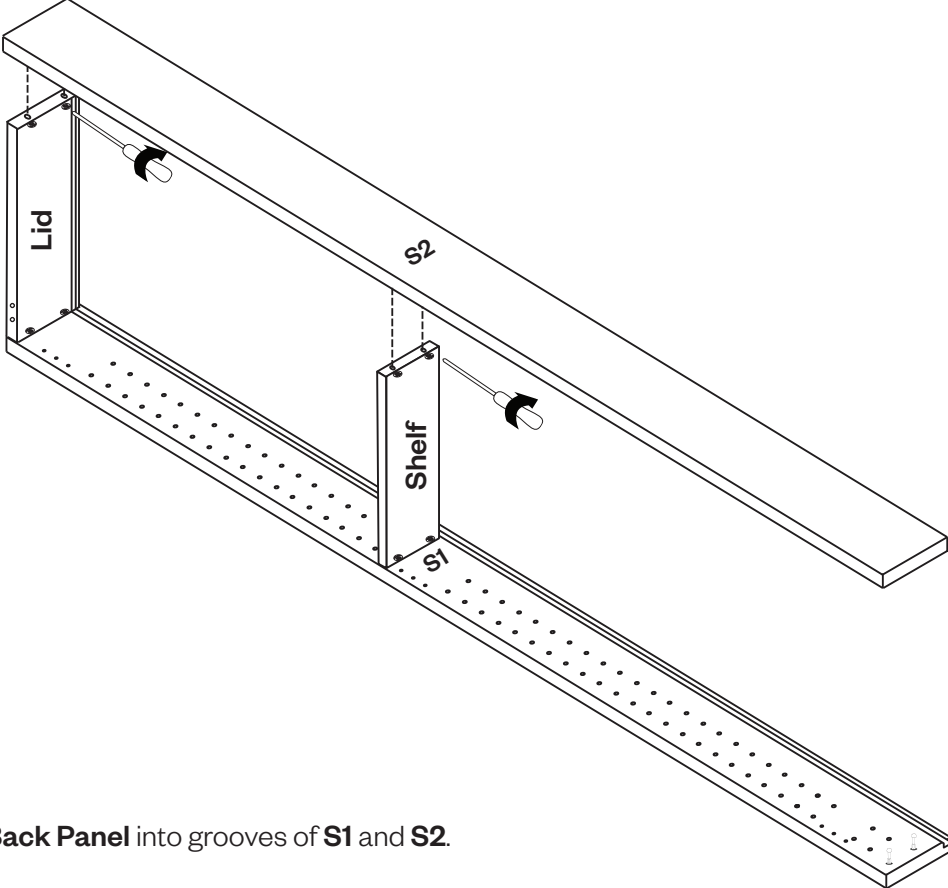
# 2

Attach **Lid** and **Shelf** to **S1**. Secure by tightening **4 cams**.



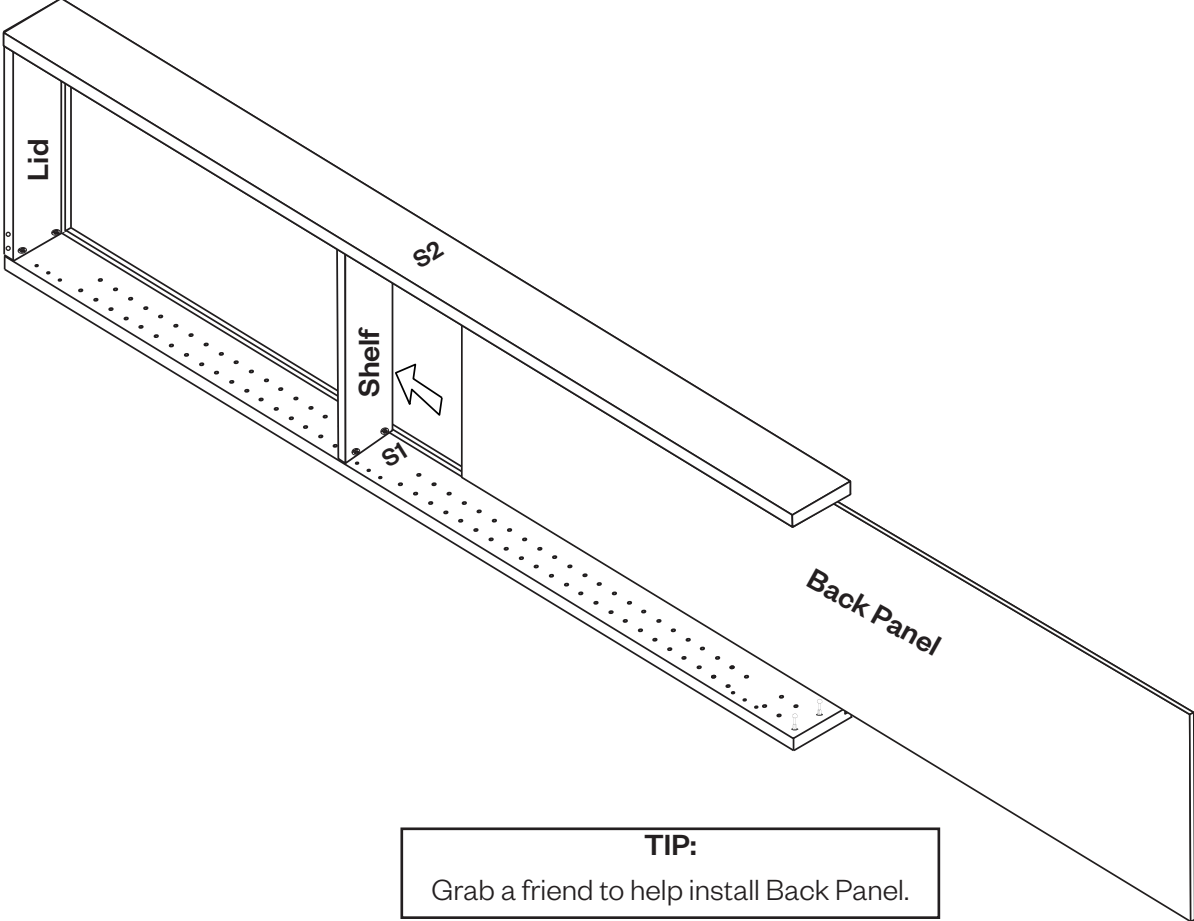
**3**

Insert **S2** into **Lid** and **Shelf**. Secure by tightening **cams**.



**4**

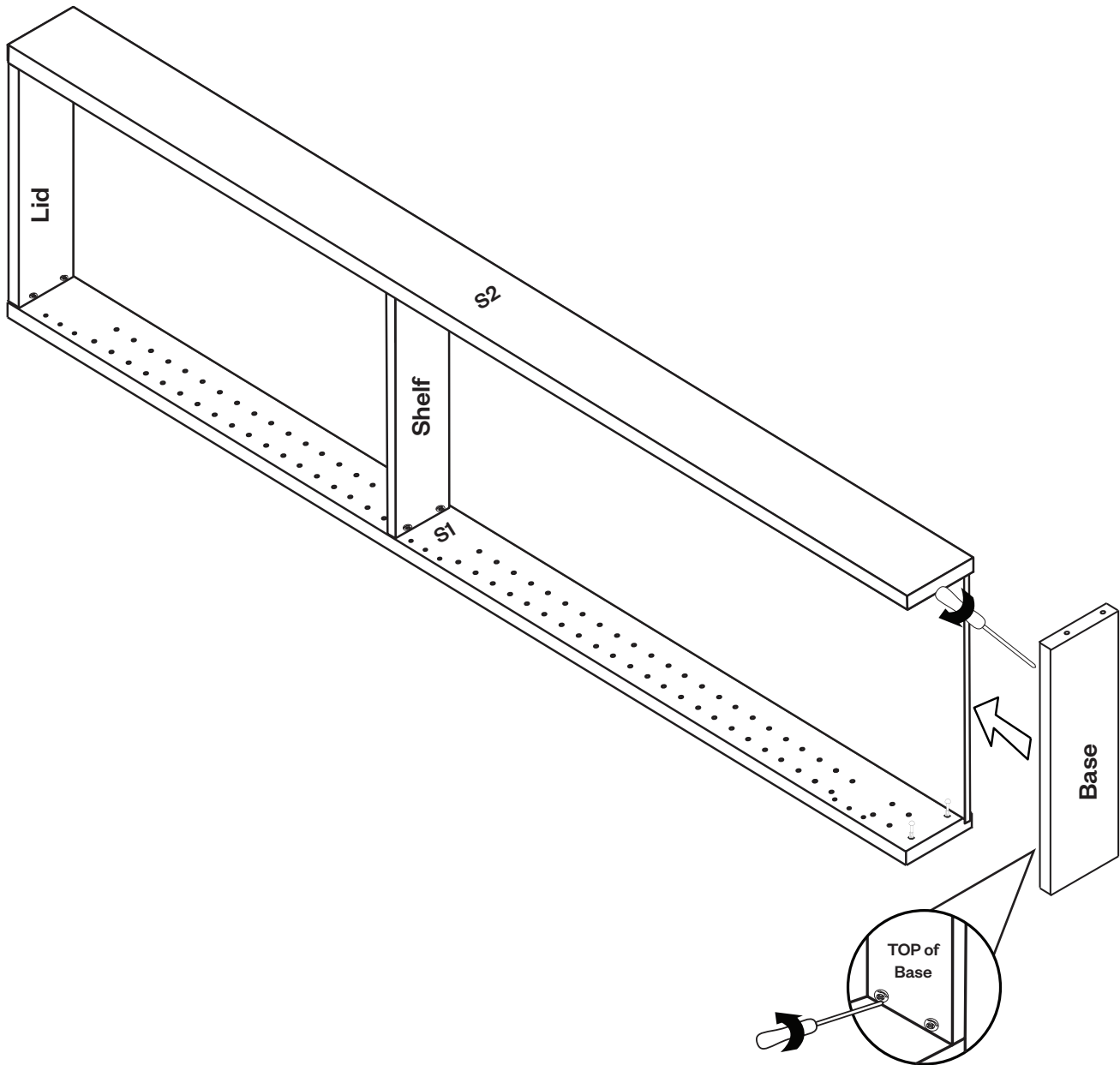
Slide **Back Panel** into grooves of **S1** and **S2**.



**TIP:**  
Grab a friend to help install Back Panel.

**5**

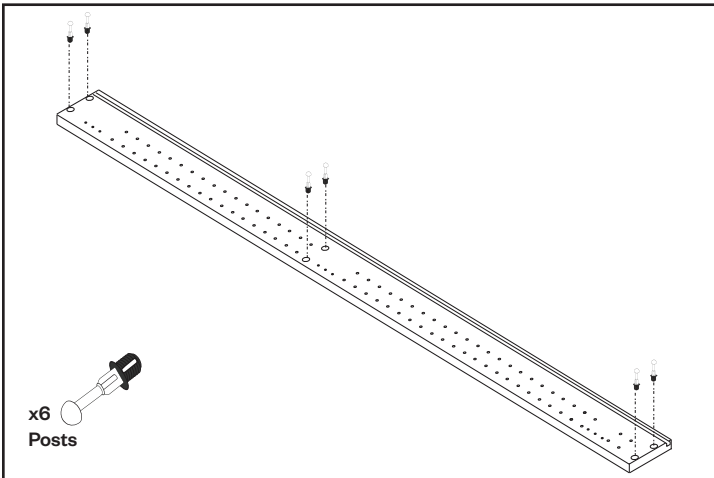
Attach **Base**. Secure by locking **4 cams**.



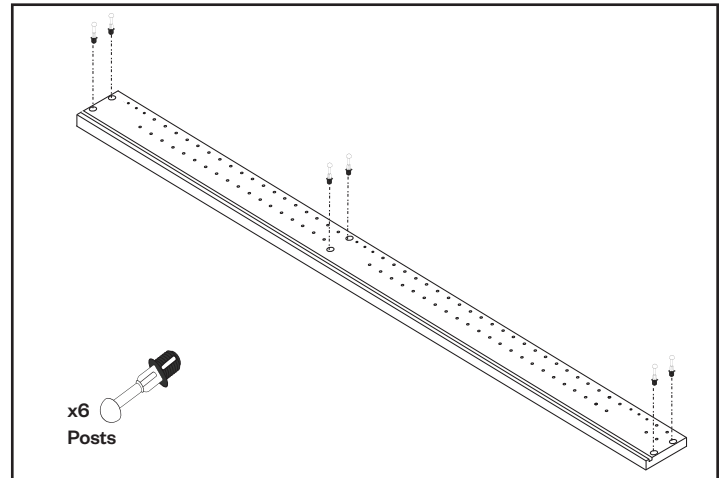
# 6

Repeat these steps for another swing door

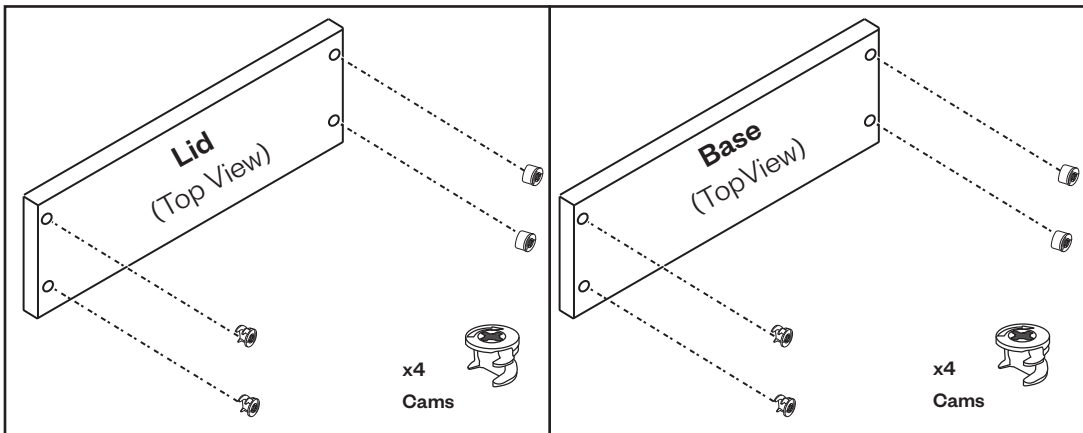
## Side 1:



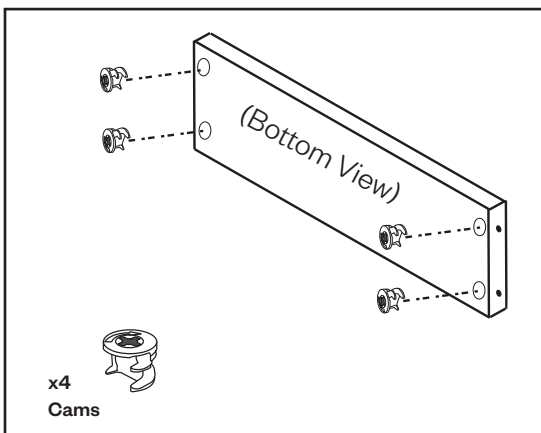
## Side 2:



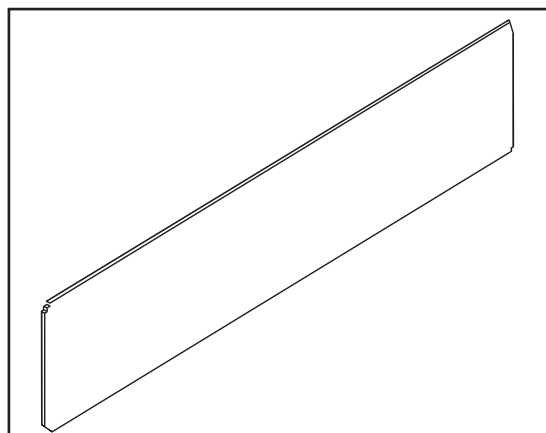
## Lid and Base:



## Shelf:

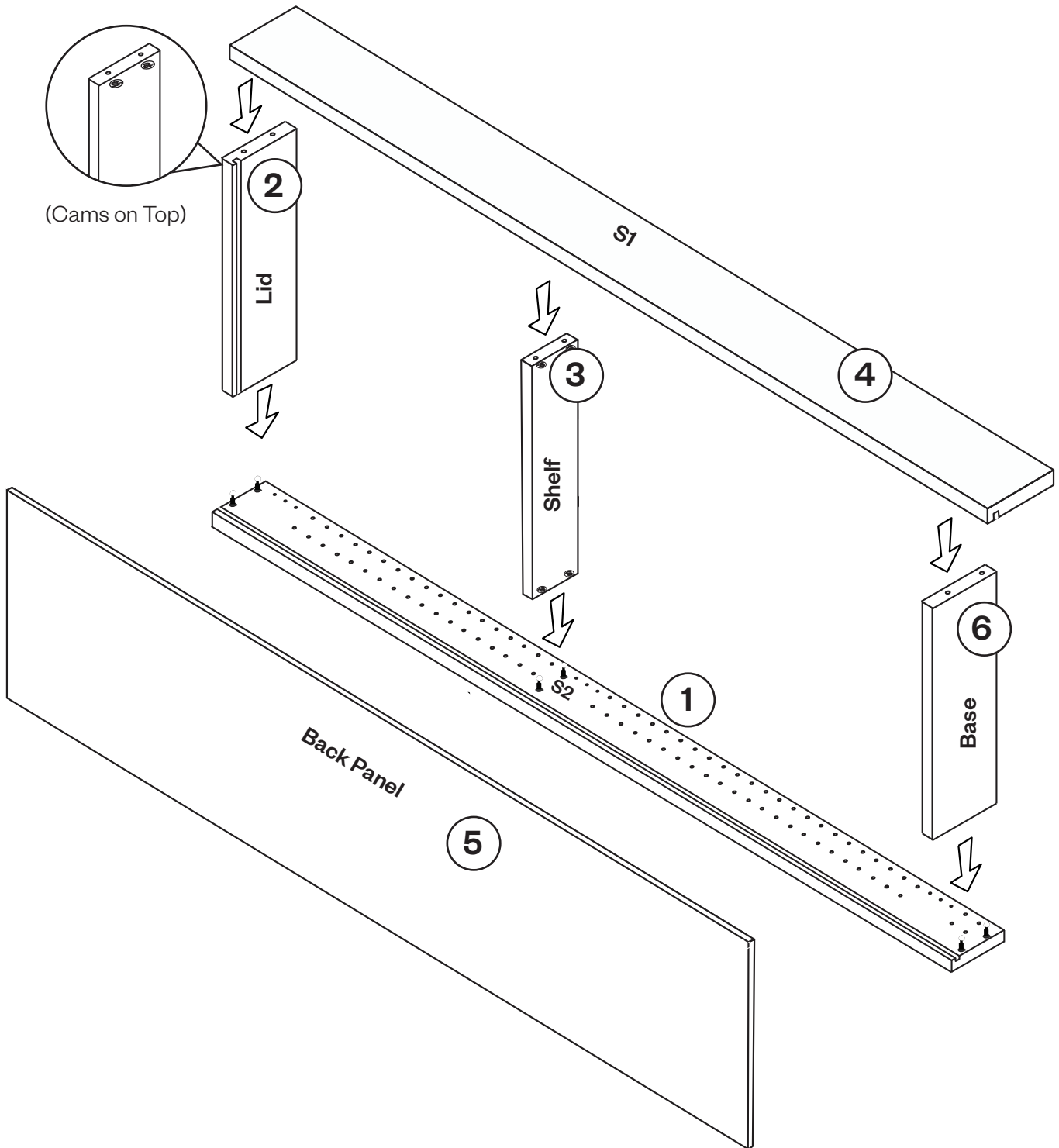


## Back Panel:



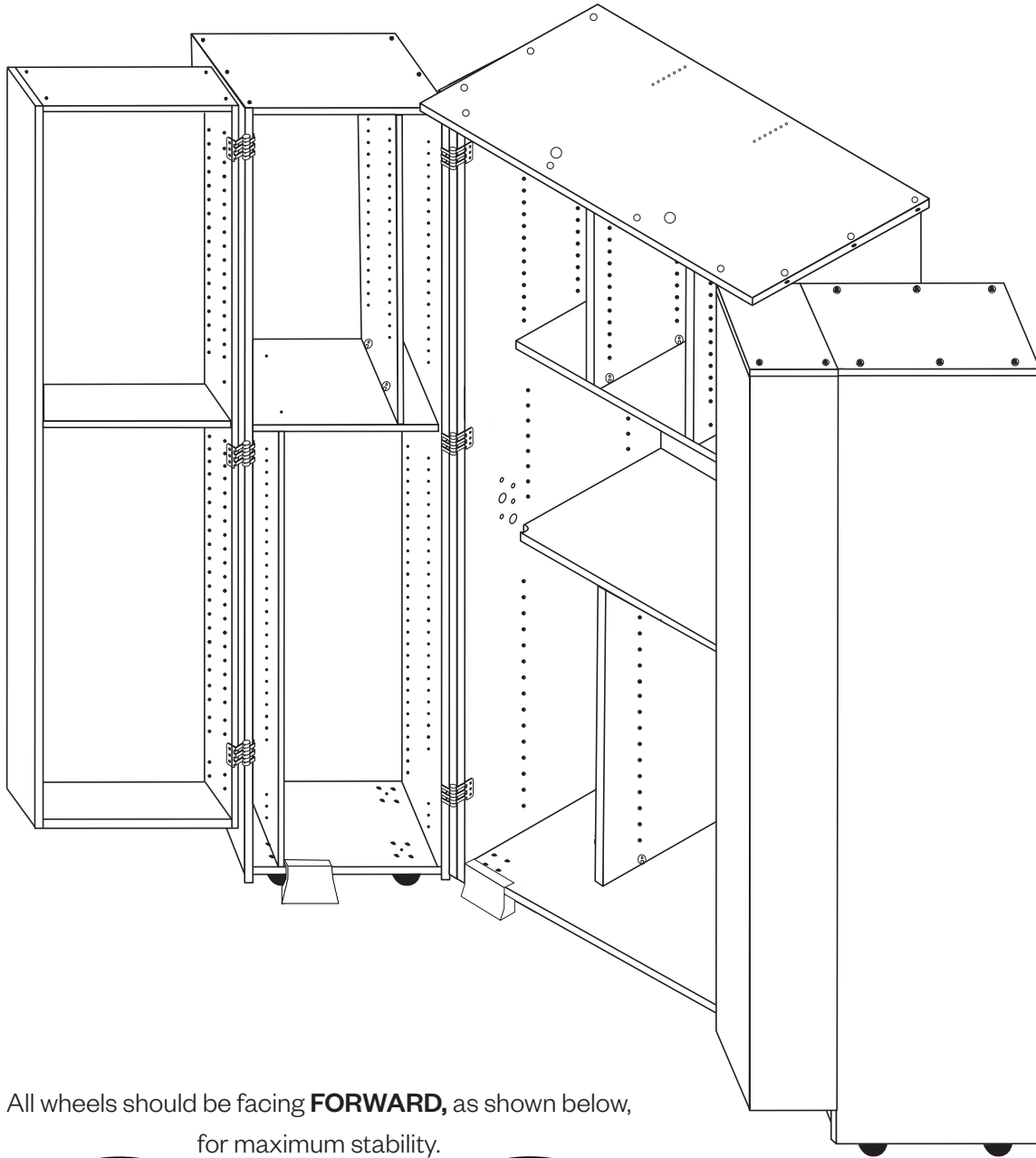
# 7

Repeat steps used to build the previous Swing Door. (Numbered in order of install).

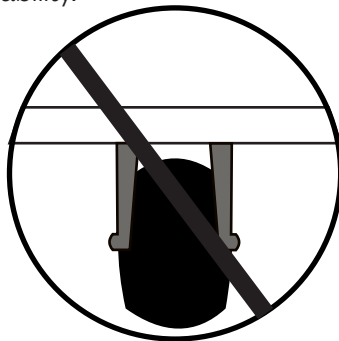
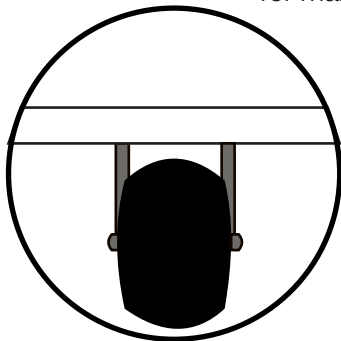


# IMPORTANT:

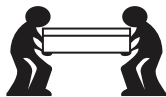
Position DreamBox like the below graphic before installing crafting supplies to reduce tipping hazard.  
DreamBox **MUST** remain in this enclosed position until the security brackets are installed.



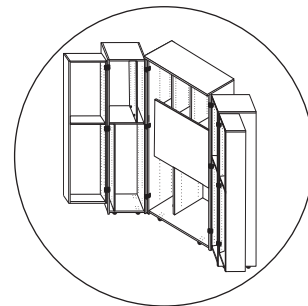
All wheels should be facing **FORWARD**, as shown below,  
for maximum stability.





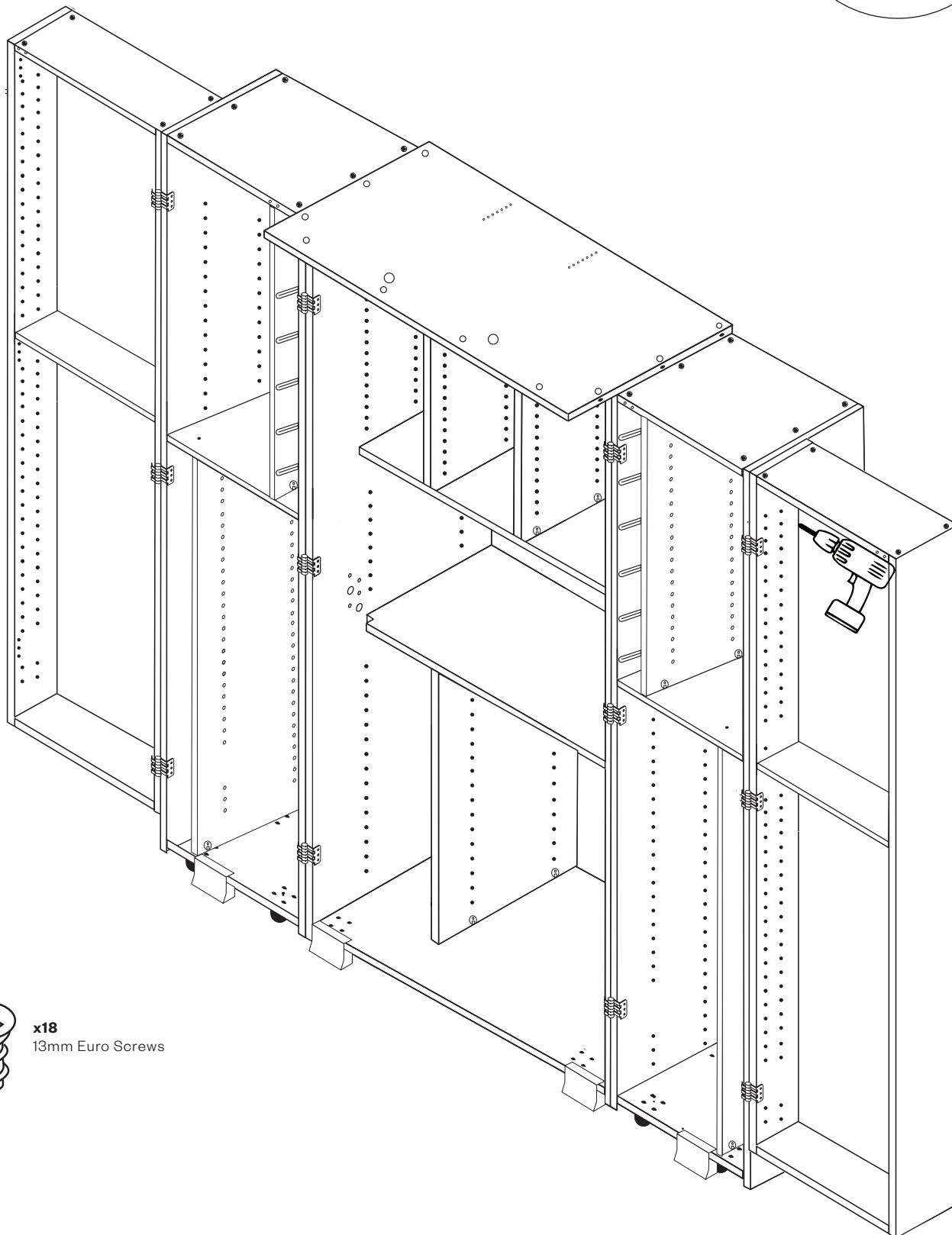


**CAUTION:** This step requires two people.



**8**

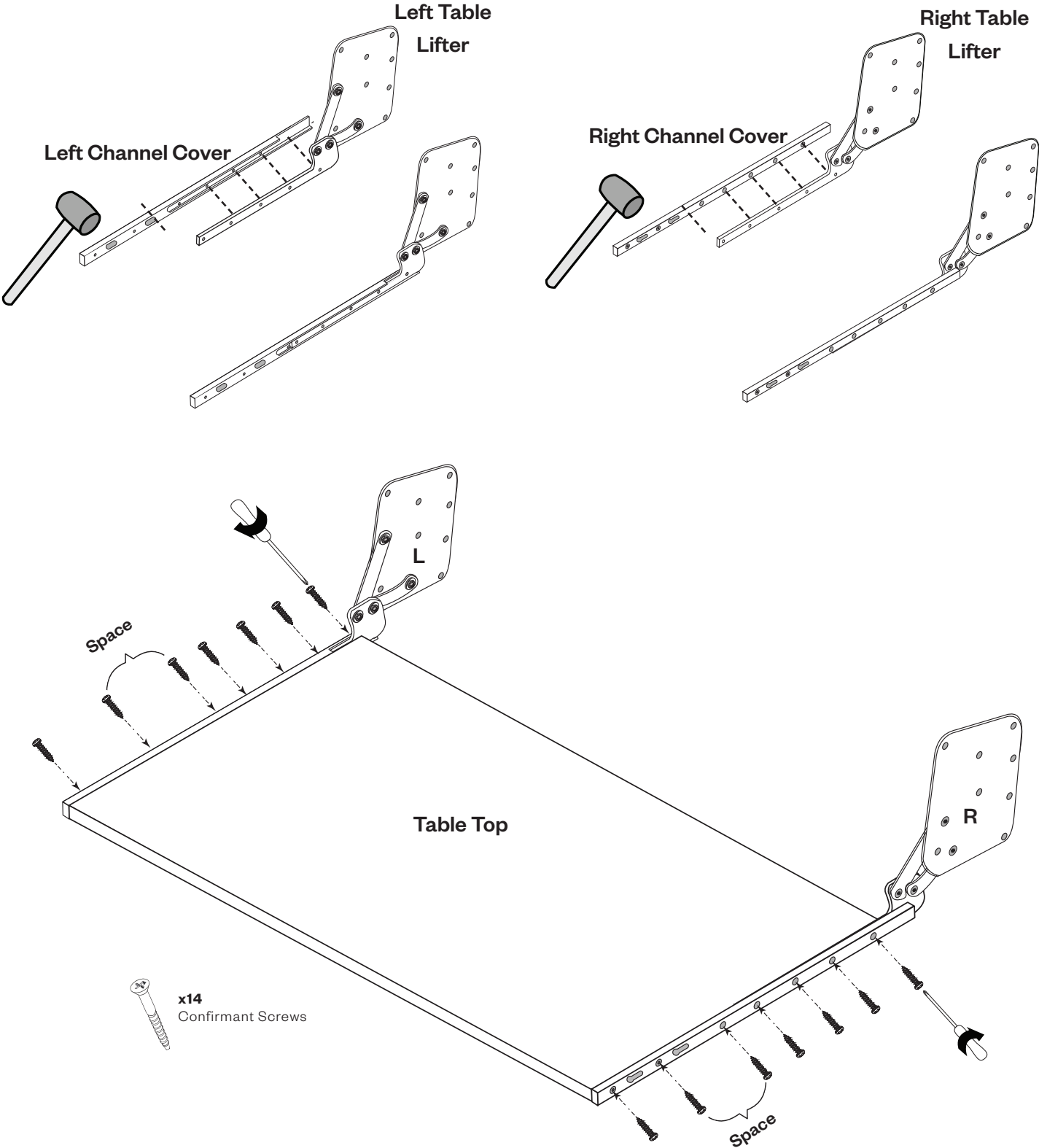
Attach **swing doors** using **18 Euro Screws**.



**x18**  
13mm Euro Screws

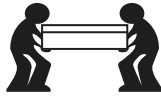
9

Place **Right** and **Left Channel Covers** onto the corresponding **Table lifter**. Once attached, use **7 Confirmant Screws** to install them to the corresponding holes on **Table Top**.



**TIP:**

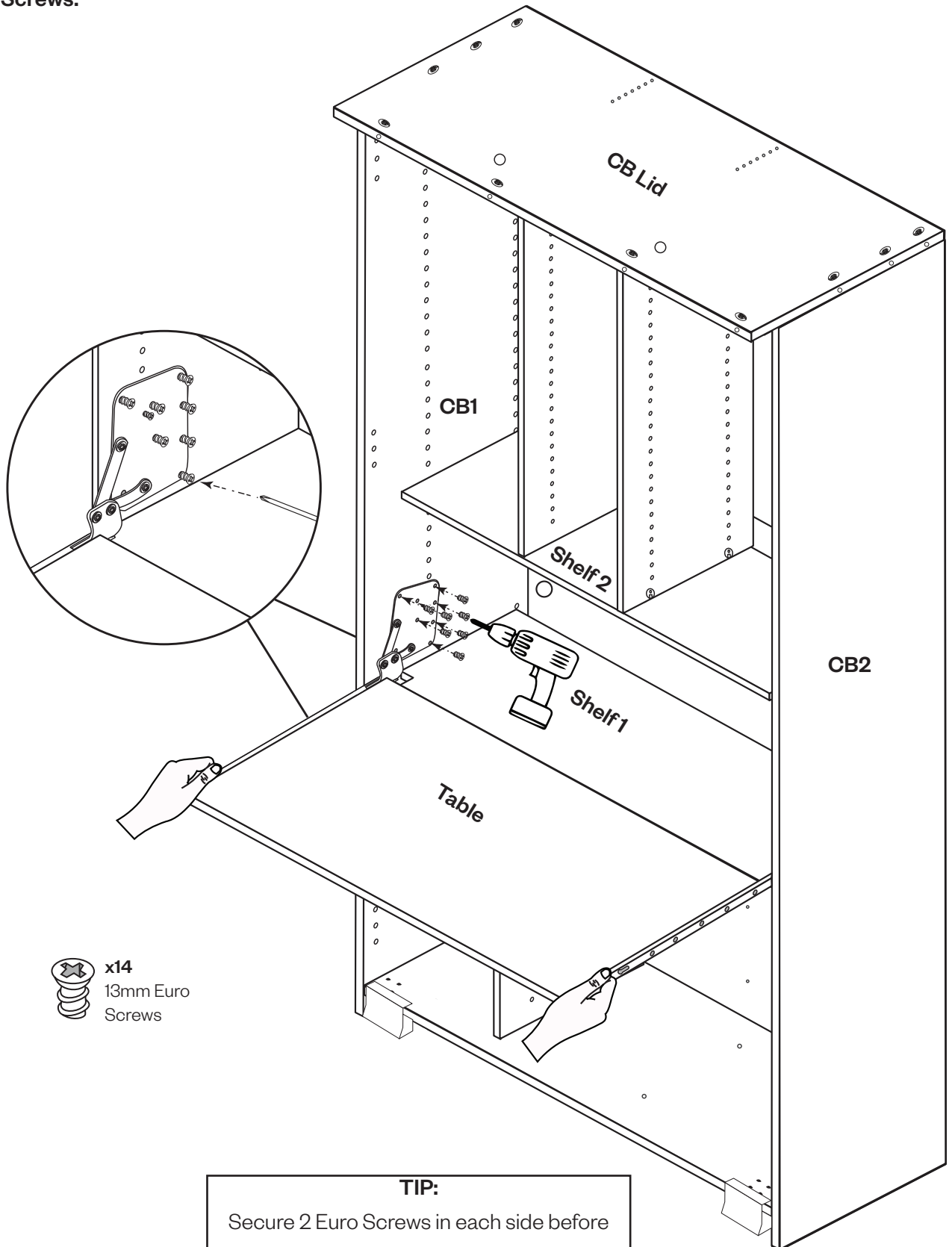
1. Thread all screws in half way before tightening. Be careful not to over screw.
2. Lightly hammer channel cover onto table lifter.




**CAUTION:** This step requires two people.

**10**

Carefully slide the **Table Top** and attach the **Left** and **Right Table Lifter** to **CB 1/2**. Secure with **14 Euro Screws**.

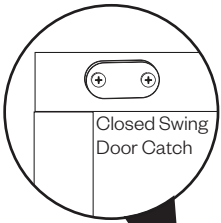
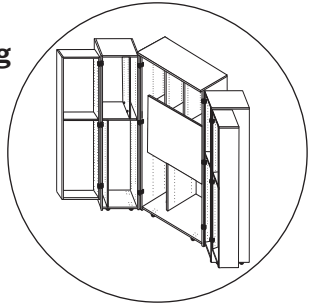


 **x14**  
13mm Euro  
Screws

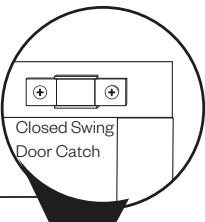
**TIP:**  
Secure 2 Euro Screws in each side before  
installing all Euro Screws.

**11**

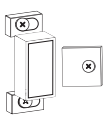
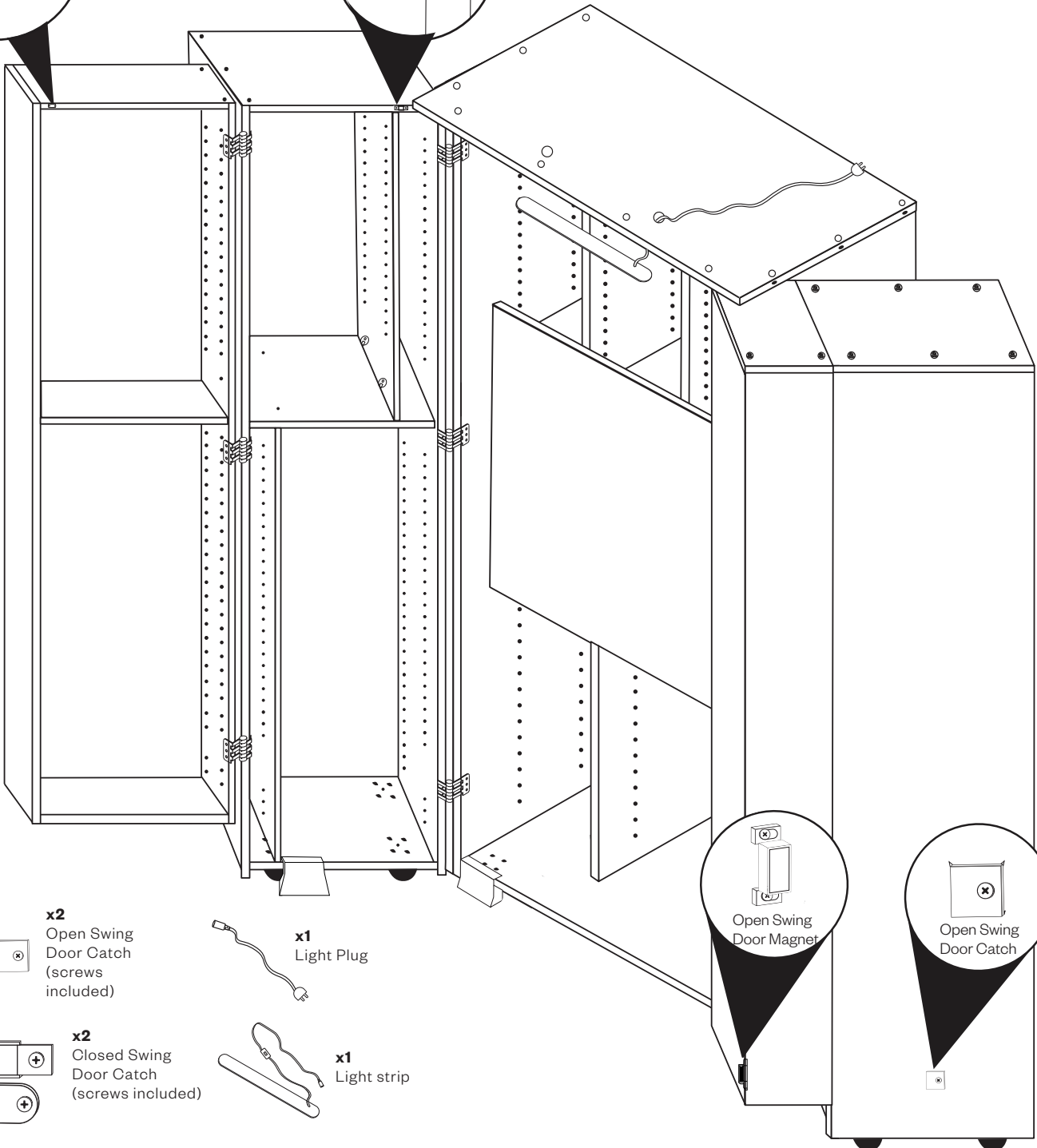
Install 2 sets of **Door Catches**. Install top **Swing Door Catch** and **Closed Swing Door Catch** using pilot holes to guide you. Install **Light Kit**.



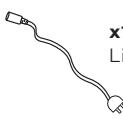
Closed Swing Door Catch



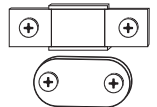
Closed Swing Door Catch



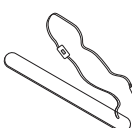
**x2**  
Open Swing Door Catch (screws included)



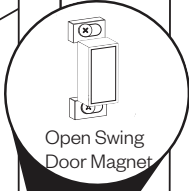
**x1**  
Light Plug



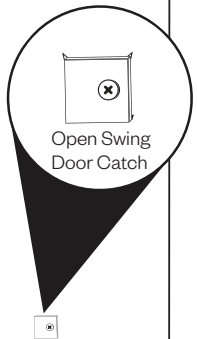
**x2**  
Closed Swing Door Catch (screws included)



**x1**  
Light strip



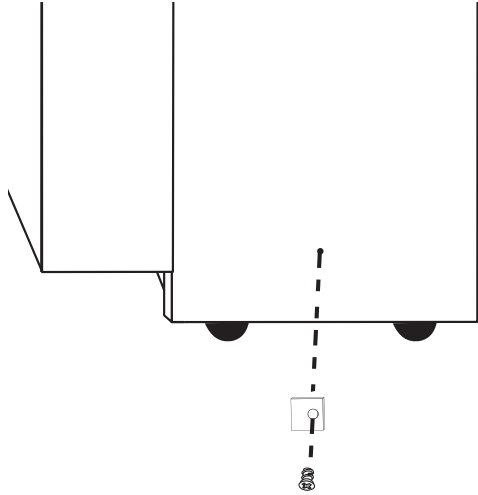
Open Swing Door Magnet



Open Swing Door Catch

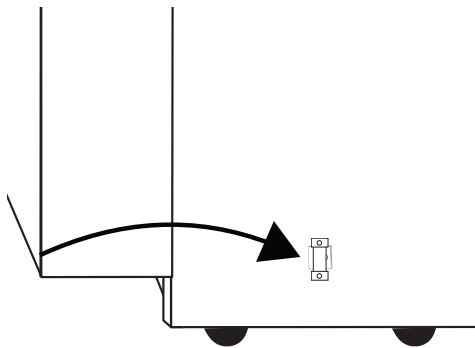
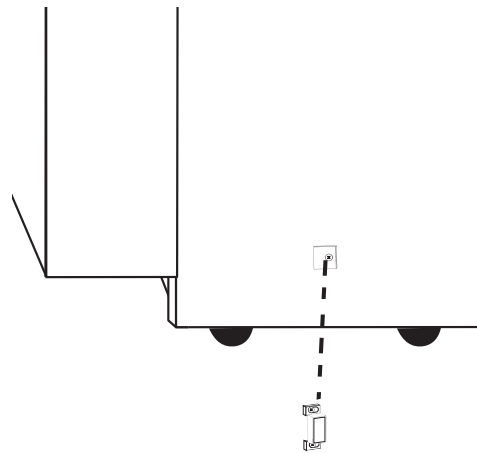
**TIP:**  
1. Do not use Drill to avoid stripping.  
2. Make sure the 4 pointed corners of the Open Swing Door Catch square are pressed against the side box.

11.1



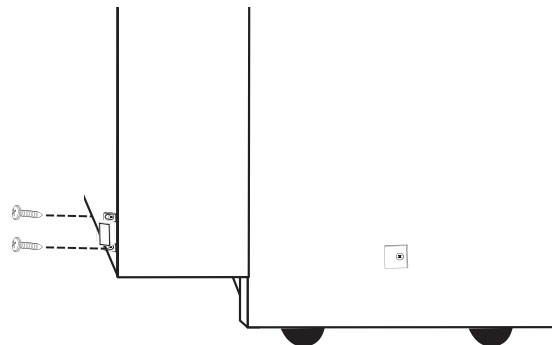
1. Install the **Open Swing Door Catch** on LB2.

2. Place the **Open Swing Door Magnet** on the catch.



3. Open the swing door to align the magnet to the door.

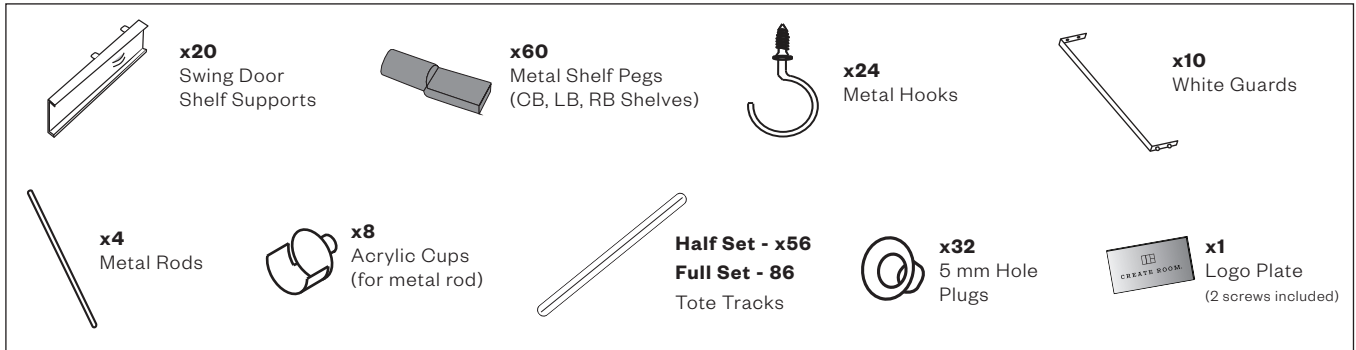
4. Use two screws to tap into the banding and install the magnet to the wood.



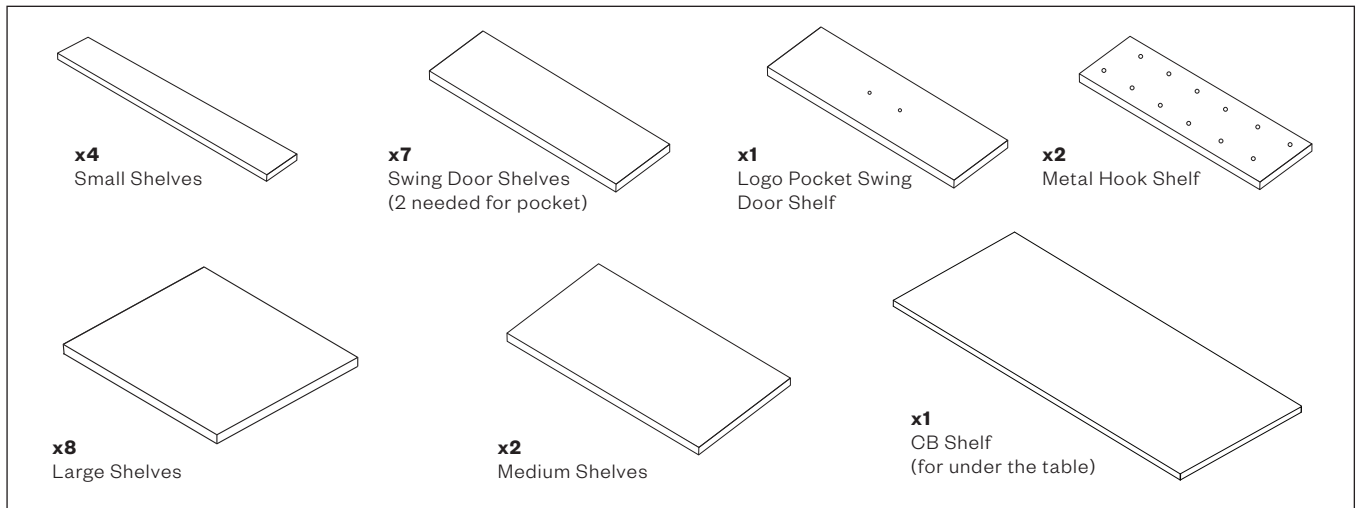
# moving in!

CONGRATS ON FINISHING YOUR DREAMBOX ASSEMBLY. FROM HERE ON OUT IS WHERE YOU CAN START CUSTOMIZING YOUR DREAMBOX.

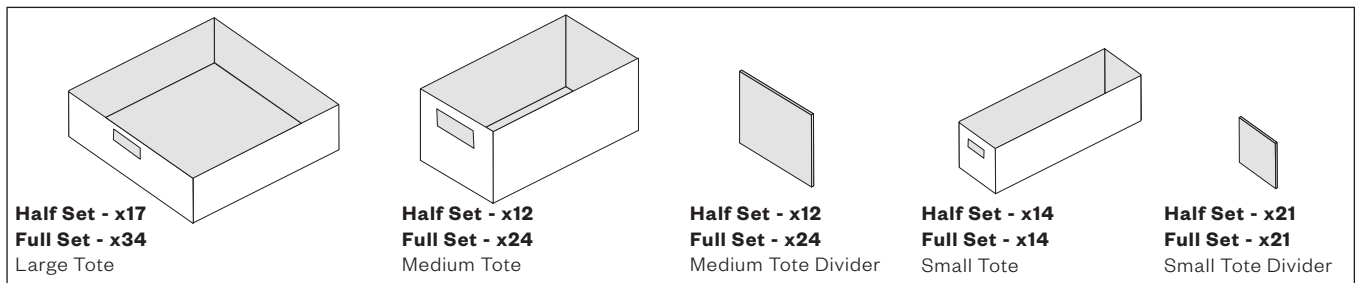
## HARDWARE YOU'LL NEED:



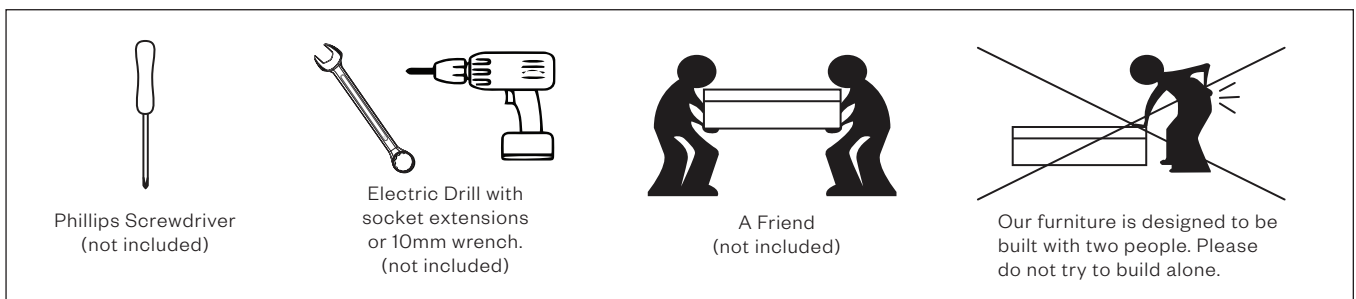
## PARTS INCLUDES:



## INVIEW TOTES:



## TOOLS YOU'LL NEED:



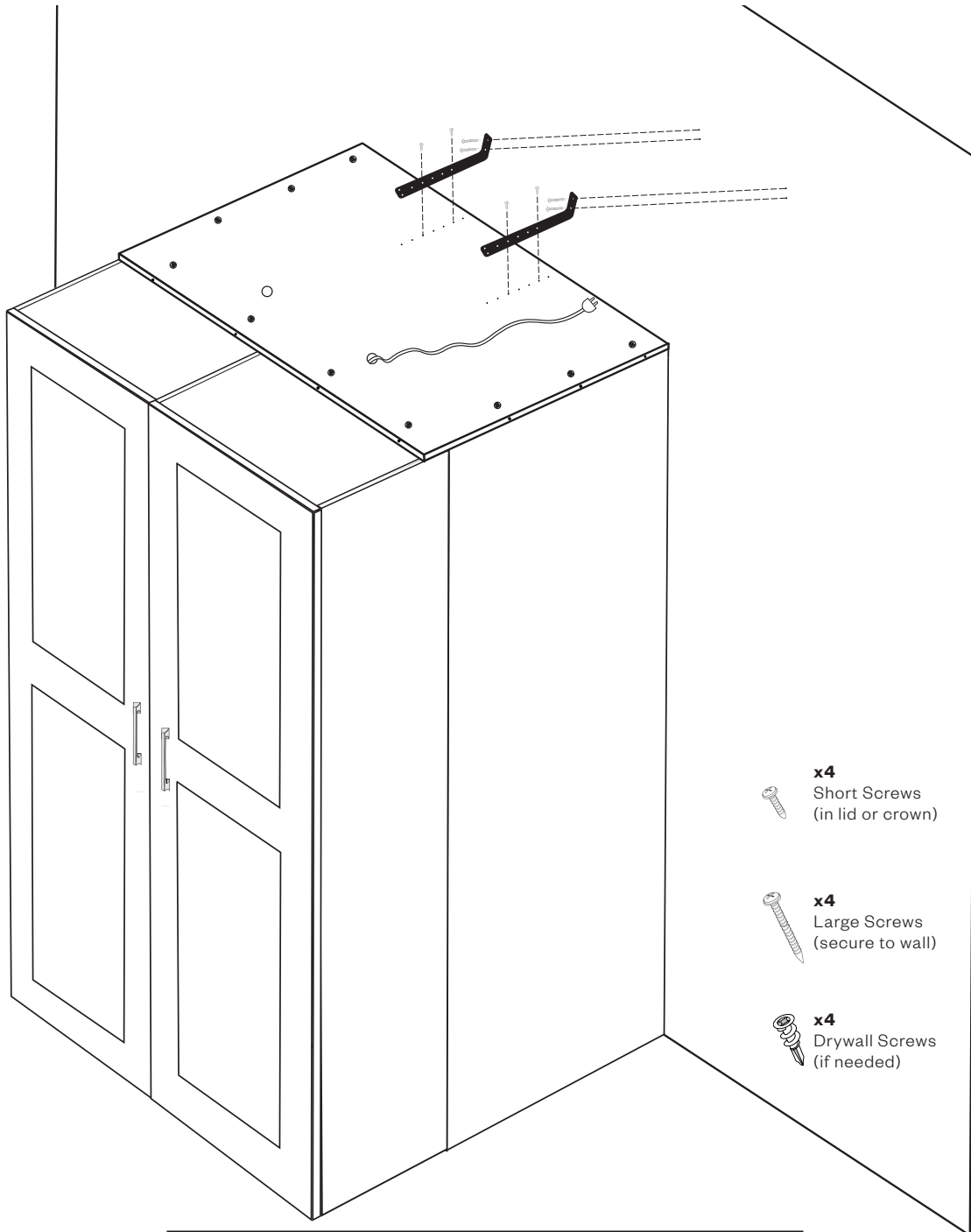


**WARNING: Serious or fatal crushing injuries can occur from tipping furniture.**

**To prevent tip-over hazard, secure the DreamBox to the wall before use.**

**1**

Determine the appropriate distance of the safety bracket from the wall. Secure the **Safety Brackets** in place by tightening **4 Short Screws** into the DreamBox. Locate the wall studs to find the optimal position for attachment. Use **Large Screws** to securely fasten the DreamBox to the wall by anchoring them into the wall studs. *If* wall studs cannot be found, utilize **Drywall Screws** instead and use long screws to attach the DreamBox to the wall.



**TIP:**

Stabilizers can be removed, if desired, after Safety Brackets have been attached.

# 2

Skip this step if you did not purchase the Deluxe Crown with Double Light.

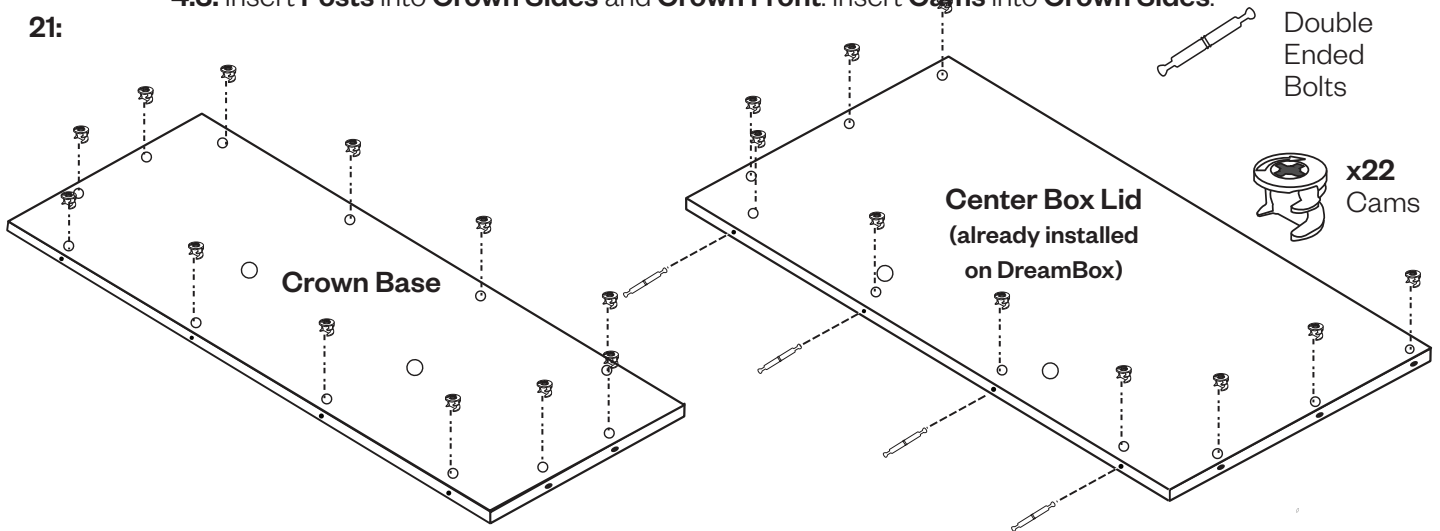
**4.1:** Insert **Cams** into **Crown Base** and **Center Box Lid**. Insert **Double Ended Bolts** into **Crown base**.

Tighten **Cams**

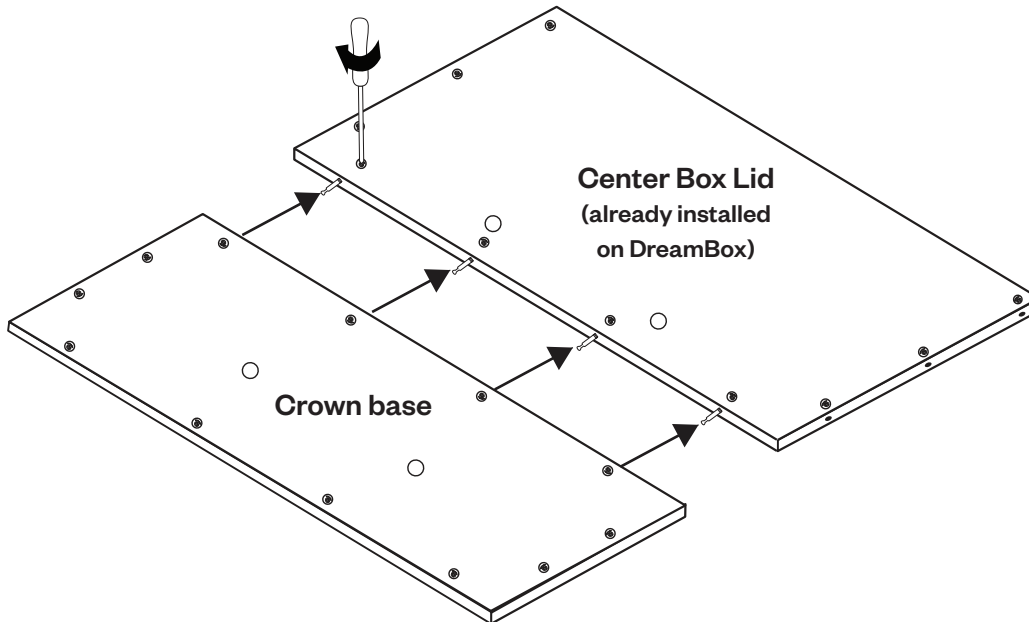
**4.2:** Connect **Crown base** to **Center Box Lid**, and tighten **cams** by turning until locked.

**4.3:** Insert **Posts** into **Crown Sides** and **Crown Front**. Insert **Cams** into **Crown Sides**.

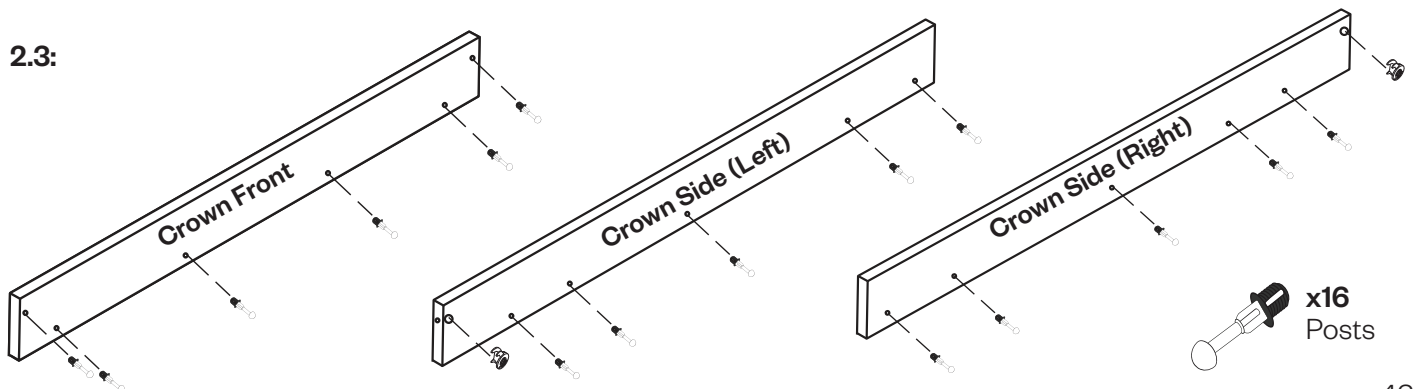
2.1:



2.2:



2.3:





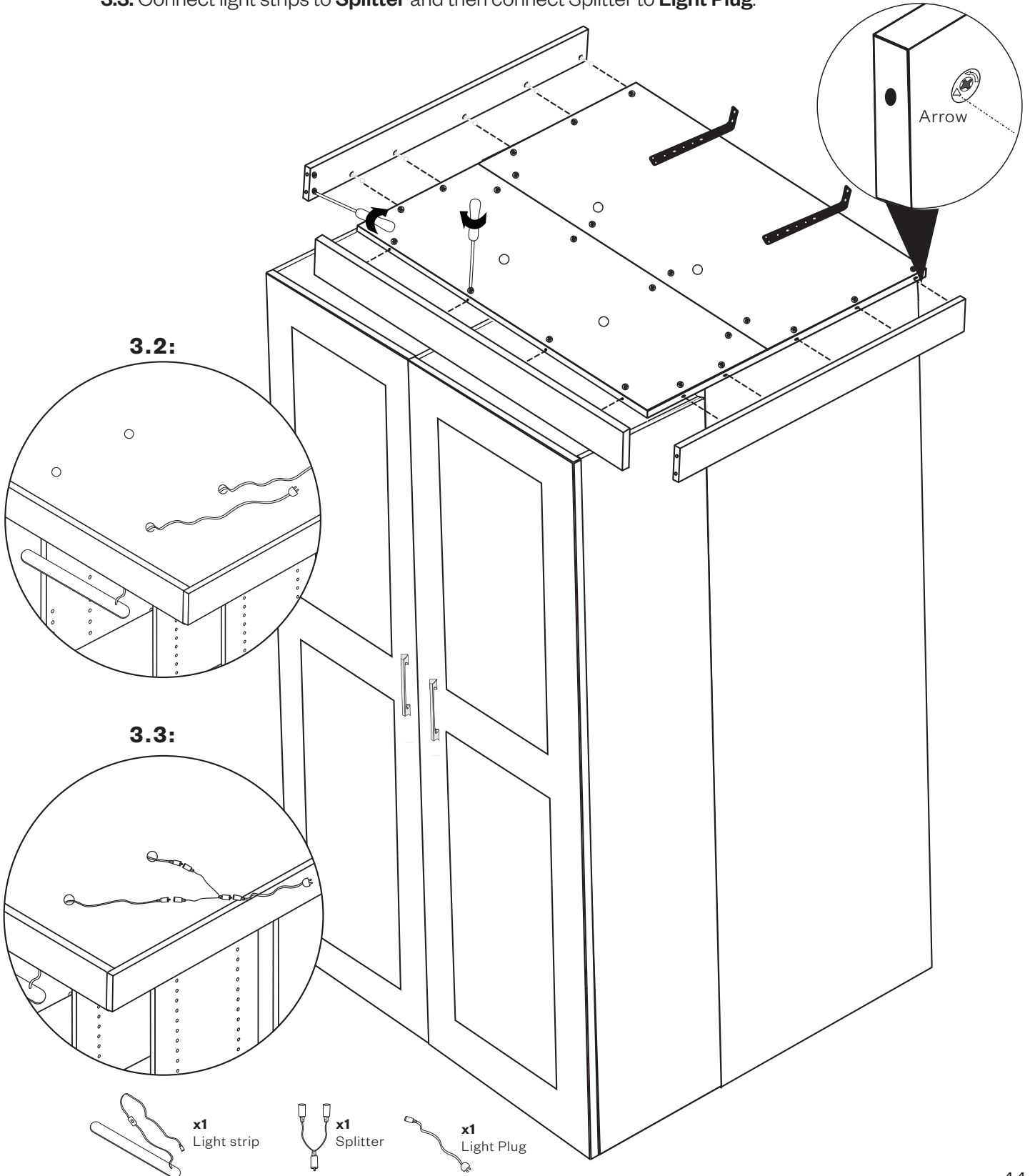
# 3

**Skip this step if you did not purchase the crown.**

**3.1:** Install **crown sides** and **front** into **crown base** and **center box lid** by inserting **posts** into corresponding holes. Tighten **Cams** by turning until tight.

**3.2:** Install **Light Strip** by threading cords through right or left hole on Crown Base. Remove adhesive back from lights, and adhere it into the grooves underneath the crown lid. Each light has their own on/off switch.

**3.3:** Connect light strips to **Splitter** and then connect Splitter to **Light Plug**.

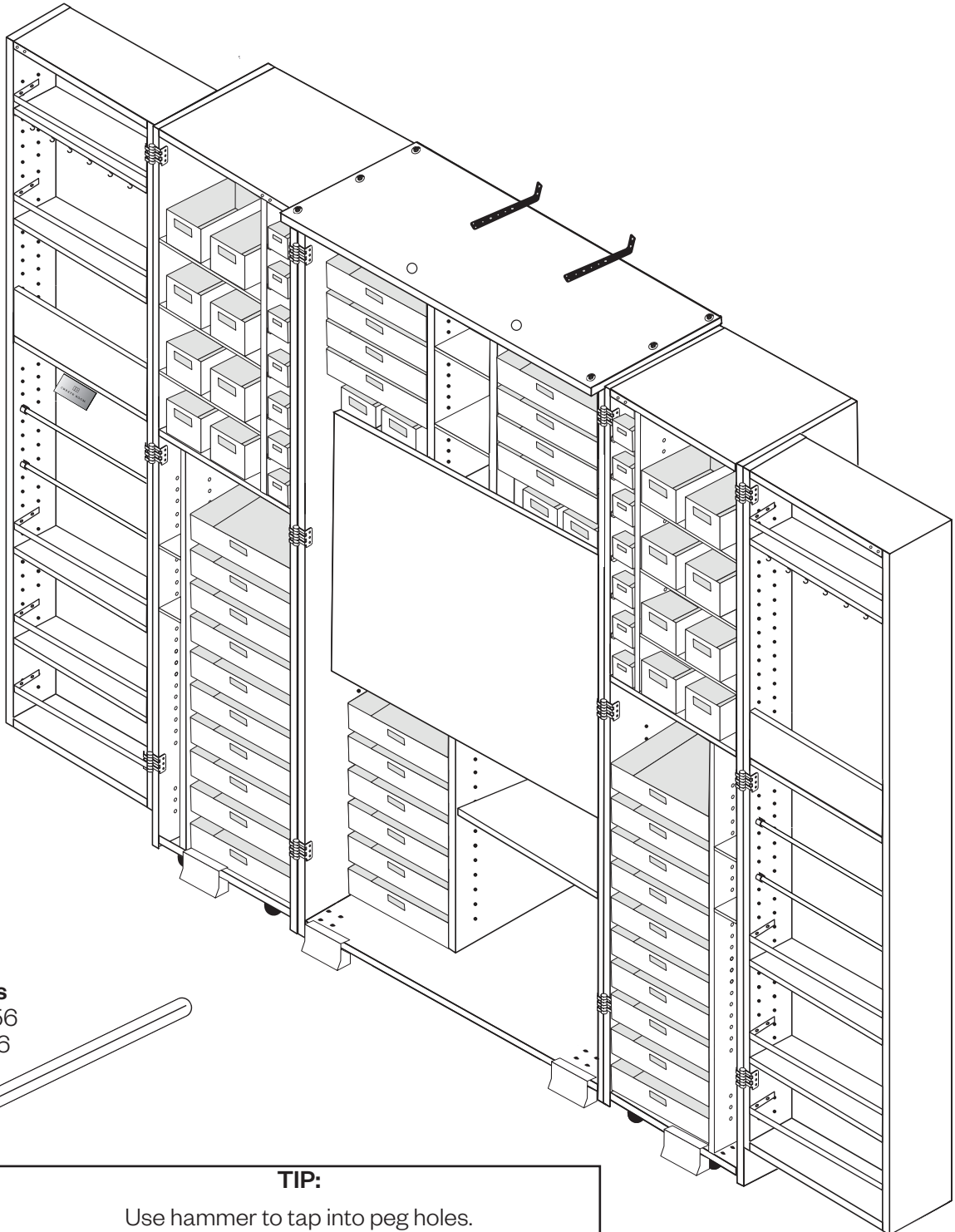


# three cheers

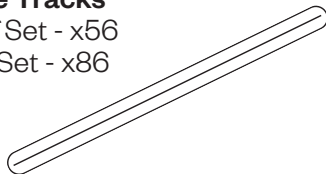
## YOU'RE DOING GREAT!

The fun is just beginning. Now it's time to customize your DreamBox and start moving in.

- Begin by customizing your tracks, totes, and shelves to fit your organization needs.
- All medium totes require a shelf. All shelves use 4 metal shelf pegs.



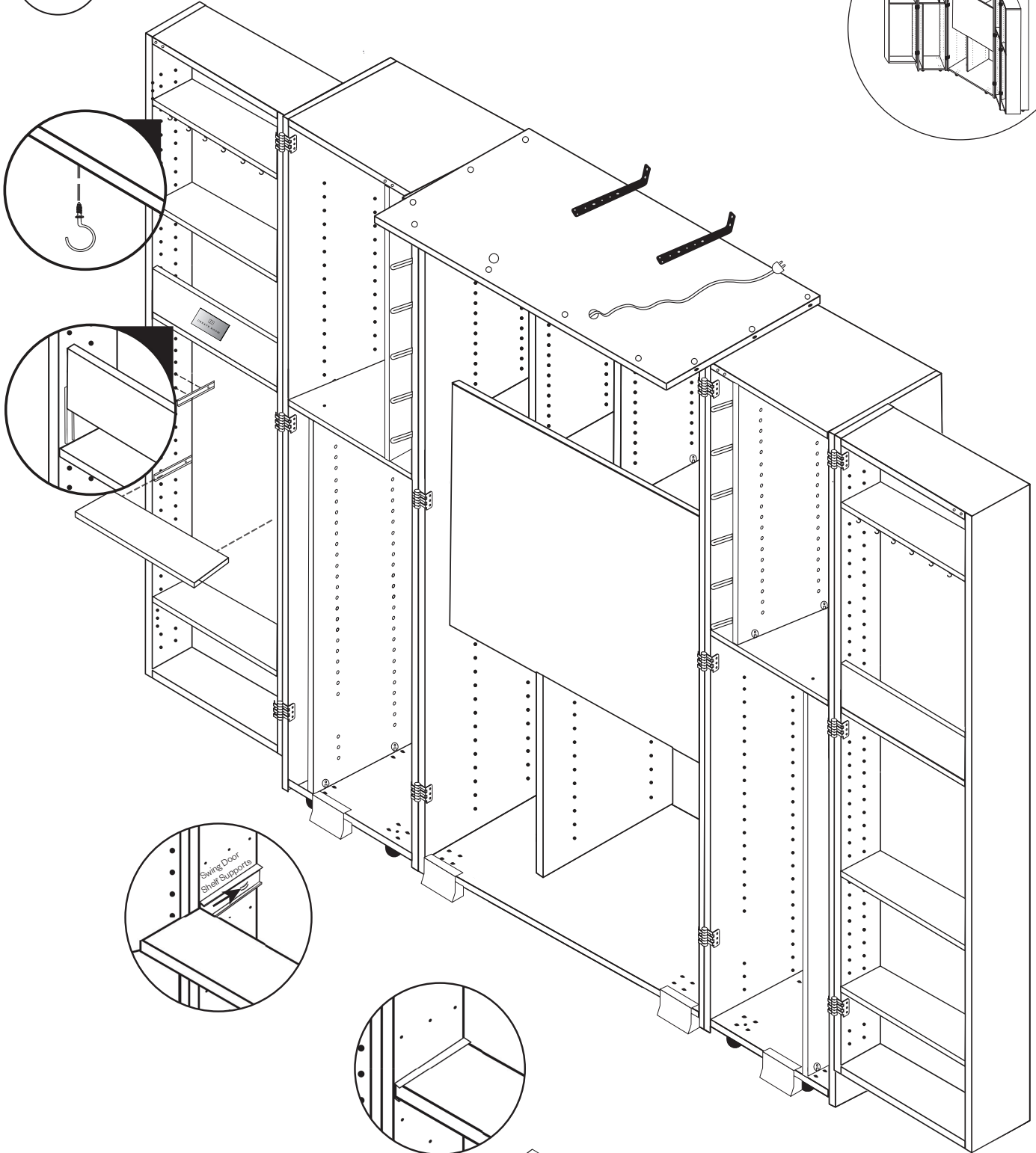
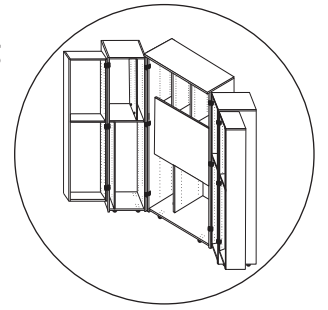
**Tote Tracks**  
Half Set - x56  
Full Set - x86



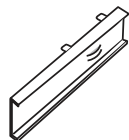
**TIP:**  
Use hammer to tap into peg holes.  
(Bumpers on top.) Two tracks needed for each tote.

**1**

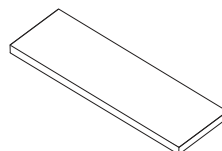
Screw in **Metal Hooks** to **Hook Shelf** and **Swing Door Shelf Support** in **Swing Door**. Install shelves where you like.



**x24**  
Metal Hooks



**x20**  
Swing Door Shelf  
Supports

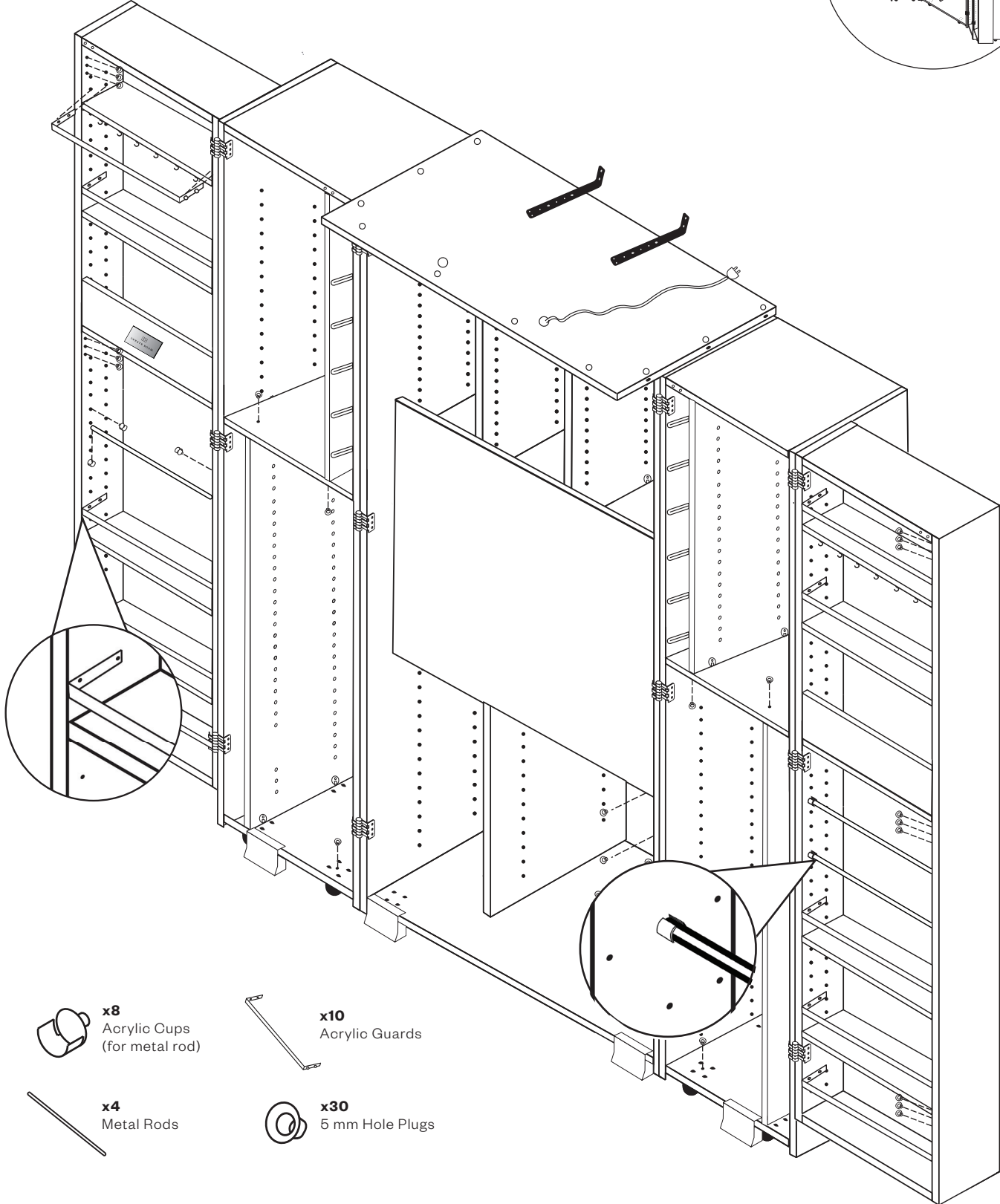
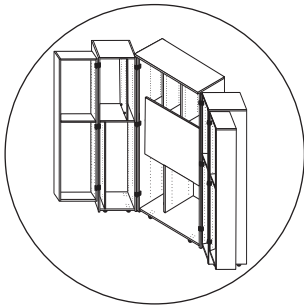


**x7**  
Swing Door Shelves

**TIP:**  
Two swing door shelves needed per pocket.

**2**

Install **White Guards** and **Acrylic Cups**. Place **Metal Rods** into **Acrylic Cups** and push down. Fill lower divider holes that were not used with **5 mm Hole Plugs**.



**x8**  
Acrylic Cups  
(for metal rod)

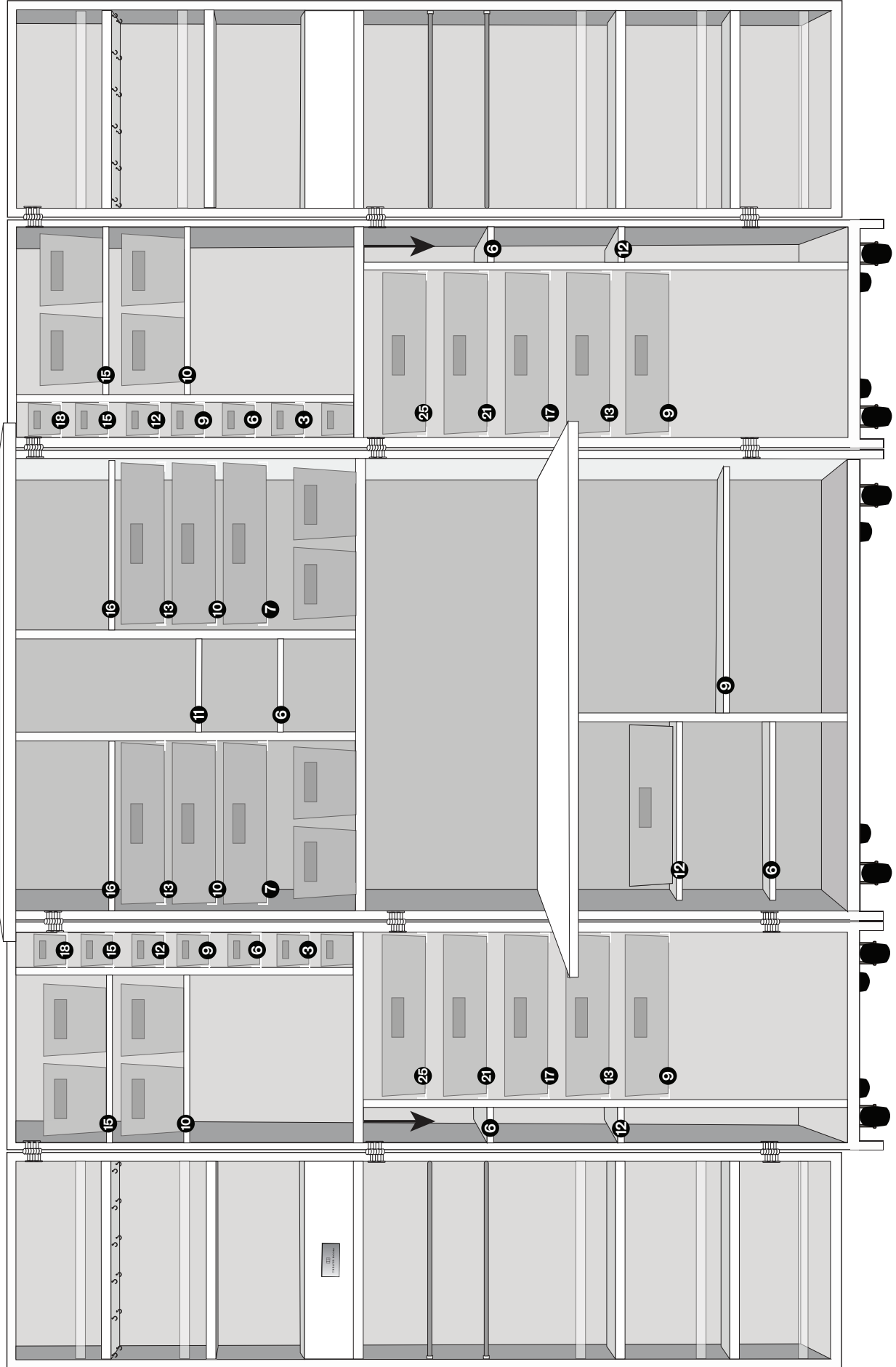
**x10**  
Acrylic Guards

**x4**  
Metal Rods

**x30**  
5 mm Hole Plugs

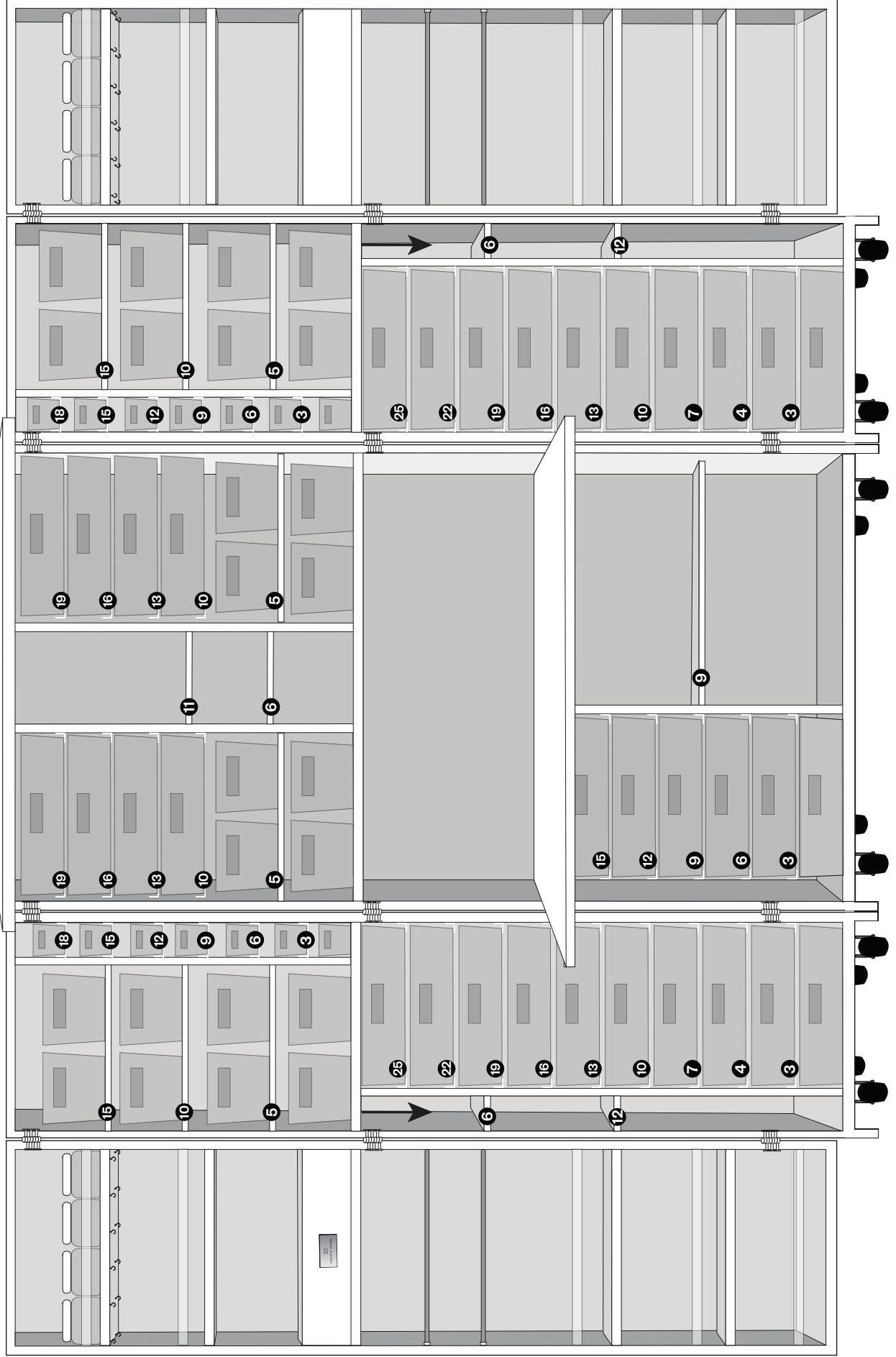
# HALF SET TOTE STORAGE CONFIGURATION:

Install **tote tracks** and **metal pegs** at shelf holes indicated by number, counting from the bottom. (Except the small section in the lower half of **Right and Left Boxes**).



## FULL SET TOTE STORAGE CONFIGURATION:

Install **tote tracks** and **metal pegs** at shelf peg holes indicated by number, counting from the bottom. (Except the small section in the lower half of **Right and Left Boxes**).



# yipee!

**YOU'VE DONE IT.**

Now it's time to fill up your new DreamBox 2 with all your crafting goodies.

Remember to share pictures of your crafts and craft space with us on Facebook @CreateRoomFamily.

# troubleshooting for the dreambox 2

## **1 –“Can my DreamBox 2 be on carpet?”**

We highly recommend our furniture on wheels to be on a hard floor. The DreamBox 2 can weigh up to 1200 lbs or more with all of your treasures. The wheels need to “give” a little so the strain isn’t added to the connecting joints of the box. Please use a hard surface under your DreamBox 2 wheels.

## **2 –“My DreamBox 2 is on a hard floor and moves too much when I open or close it.”**

Every DreamBox 2 comes with 4 Base Stabilizers. These must be used for stability and to prevent unwanted movement during the assembly and move in process until the Safety Brackets have been attached to the wall. The Safety Brackets will hold your DreamBox firmly in place.

## **3 - My DreamBox 2 has a space between the doors when I close it. How do I get the doors to close all the way?”**

Please check your floor to make sure the area you are storing the DreamBox 2 has a level floor, and has no bumps, such as grout lines. Then check the location of the castors. Because our wheels spin, they may be turned the wrong direction, causing the door to pull back. We also have customers purchase decorative locks for the front 2 doors to child proof their DreamBox 2.

## **4 –“My DreamBox 2 is not closing.”**

Check to make sure all of your treasures are secure and in place.

## **5 -“I have a gap between my Crown and my DreamBox 2. Is this supposed to be there?”**

Yes! This is necessary as you don’t want the doors to scrape the crown or damage your light when opening and closing your DreamBox 2.

## **6 – When I close my DreamBox 2 the doors are not even.**

Make sure the weight of your treasures is distributed evenly in the 2 side boxes. Check your floor to make sure it is level. Check the direction of the wheels to make sure they are facing front when closed.

## **7 -Why do the dividers for the Inview totes only connect at the bottom?**

We use a strong, bendable clear plastic called “Clearblend”. The inview tote dividers for the medium and small totes were designed to divide your supplies for organization, yet easily removable. We want the bendable plastic to work for you in holding your unique supplies.

## **8 – Why doesn’t the DreamBox 2 have locking wheels?**

The DreamBox design needs the wheels to spin freely, preventing too much stress on the joints of your filled Dream-Box. It can hold about 650 pounds of supplies!



# warranty

## **IMMEDIATE INSPECTION REQUIRED:**

Upon receiving your Create Room furniture, promptly inspect the package for any external or concealed damage. Report any visible damage to the delivery driver and contact our Customer Service for both freight and parcel deliveries. For concealed damage, notify us within 5 business days with photos to ensure timely support.

## **30-DAY COVERAGE FOR ORDER ACCURACY:**

If your order has missing or incorrect items, let us know within 30 calendar days of delivery. We want to ensure your crafting setup is complete and ready for use.

## **1-YEAR MANUFACTURING DEFECT WARRANTY:**

This warranty covers manufacturing defects affecting use and assembly for a year from delivery. If you run into issues with part quality, including holes drilled wrong or edge banding flaws, we'll provide replacement parts.

## **PRE-ASSEMBLED SECTIONS SUPPORT:**

For pre-assembled furniture parts requiring replacements, we cover individual parts. Our Customer Service team is available to guide you through the replacement process, offering detailed instructions or service ideas.

## **WARRANTY EXCLUSIONS:**

- Damage from improper assembly, misuse, or accidents
- Normal wear and tear
- Shipping damage after the initial inspection period
- Not following instructions for assembly, use, or safety
- Non-manufacturing defect claims made after 30 days from delivery
- Environmental damage or inadequate storage conditions
- Damage to personal items from misusing Create Room products
- Use of wheeled furniture on unsuitable surfaces
- Accessories not part of the integral furniture package
- Secondhand purchases or gifts
- Theft
- Minor cosmetic variances

## **CUSTOMER SERVICE AND SUPPORT:**

Contact our Customer Service for any concerns or help at **1 (801) 226-2686**, **customerservice@createroom.com**, or through **live chat on createroom.com**.