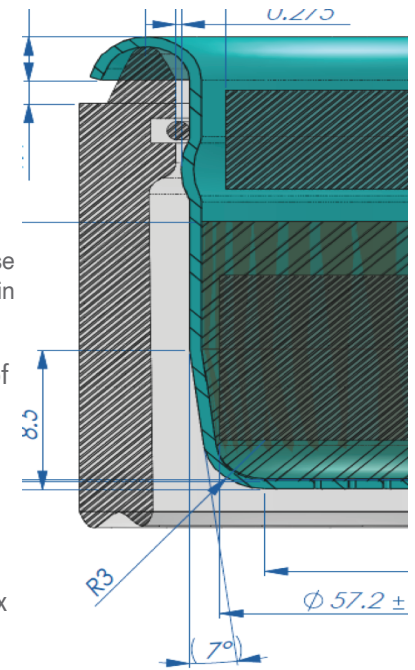


Introducing the VST Precision Filter

VST inc Precision Filter Basket



Competition Class

Each new VST Precision Filter is optimized for use with specific capacities in dose weight of coffee. The 20g VST Competition filter is the preferred dose used in WCE and WBC competitions, and in many specialty cafes and coffee shops.

Improved Espresso Quality

VST's precision filters deliver consistent extraction performance over a wide range of concentration with reduced sediment and simplified preparation. Each VST filter is designed to extract properly as a Normale, Ristretto or Lungo.

Precision Fabrication

Built with unprecedented precision, all VST Filters are WARRANTED for ZERO DEFECTS. Holes are formed using a new micro-machine and finishing process.

- Area

Unmatched Quality Control: 100% of holes are measured on every filter for min/max range and hard limits on area and diameter to a precision of better than +/- 30 µm

- Circularity

All holes are measured for circularity, placement, square area and blocked holes.

- Uniformity

Filters are matched for total square area opening to +/- 5% to ensure identical group-to-group performance. (Typical filters vary from -50 to +100%)

Hole Placement

Hole pattern is centered to +/- 1.0 mm and placement is oriented for uniform extraction throughout the entire puck.

Hole Geometry

Wide outlet angle prevents clogging, anti-wear design ensures uniform extraction performance for life of product.

Superior Material and Finish

Improved structural integrity, 20% heavier than standard filters, highly polished inside treatment and profile for clean knock-out.

Capacities

Capacities and Dimensions

VST Filter	Dose (g)	Height (mm)	Diameter	
			Outside (mm)	Tamper (mm)
25g Triple+	24-26	30.0	60.0	58.4
22g Triple	21-23	28.0	60.0	58.4
20g Competition	19-21	26.0	60.0	58.4
18g Double	17-19	24.2	60.0	58.4
15g DBL-EUR	14-16	22.0	60.0	58.4

Compatibility

Designed to fit most 60mm Portafilters.
(compare **height** DIMENSIONS, above to **depth** of your portafilter)

Genuine Article

Each VST filter is marked with a unique 2-D code to ensure authenticity and specifications. 2-D code stores factory measurement, quality reports and image data.

VST Warranty

Each genuine VST filter is warranted to meet or exceed published specifications for one year or will be replaced free of charge.

Food Safety Certifications

RoHS; ECHA REACH; EU GENERAL - German, Italian, French; US FDA



VST 20-gr Precision Competition Filter
Official Filter of the WBC Championship
2012, 2013, 2014, 2015, 2016, 2017, 2018



Available in 15g, 18g, 20g, 22g and 25g Capacities
All sizes available in standard & ridge-less models

Available Now
Order online at:
store.vstapps.com

