



13" X 6.3" RECTANGULAR TABLE TOP FIRE PIT BOWL

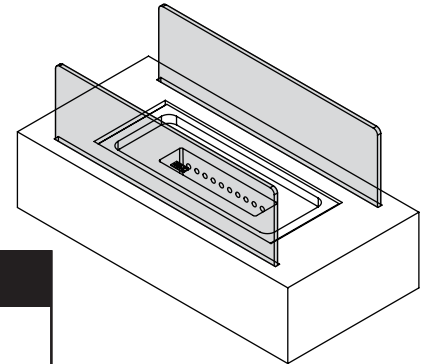
Model. KMF0358U / KMF0359U / KMF0360U / KMF0361U
Made In China

Use outdoors or indoors in a well-ventilated area.
Decorative fire bowl can be used as a heater.

IMPORTANT! RETAIN FOR FUTURE REFERENCE: READ CAREFULLY

Questions or Concerns?

Please contact our Customer Loyalty Team at:
support@homezoneliving.com or 1-866-608-5170
Monday - Friday
8AM - 5PM EST
www.homezoneliving.com
[@homezoneliving](https://www.instagram.com/homezoneliving)



WARNING: This product can expose you to chemicals including lead and lead compounds, which are known to the State of California to cause cancer and birth defects or other reproductive harm. For more information go to www.P65Warnings.ca.gov.



WARNING

FIRE and EXPLOSION hazard.
Severe **BURNS** or **DEATH** can occur.
NEVER add fuel to a hot device.

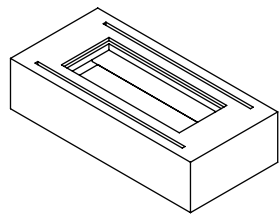


Important Safety Information

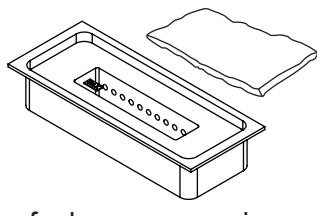


- Distances to combustible materials and items should be at least 40 inches.
- Fuel is flammable. Failure to follow the safety information can result in property damage or serious burns.
- Do not store or use gasoline or other flammable materials near the unit. Vapors or leaks from these types of items could travel to sources of flame or heat and increase the risk of fire or explosion.
- Do not attempt to refuel a unit that is already burning. Pouring any kind of fuel on a fire or on a hot surface can cause flare-ups or flashbacks that could burn someone. Make sure the fire is out and allow the unit to cool for 30 minutes before refueling.
- Never burn trash, paper, wood or any other fuel in the unit.
- Do not try to combine fuel from different cans.
- Do not pour or scoop fuel out of the can into any other container or try to combine fuel from different cans. Never add fuel to a fire or pour on hot surfaces, doing so could cause flare-ups or flashbacks that could burn someone.
- Never burn fuel cans outside the designated burn area in the metal firebox.
- The fire bowl should not be operated by anyone below age 18. Keep away from children and pets.
- Do not use it in the tents or boats and/or on recreational vehicles.
- Make sure the fire bowl is placed on a flat and level surface. Otherwise, the unit could tip easily and start a fire that could damage property or cause serious injury. Do not place fire bowl in an area with lots of traffic, such as a hallway or entryway.
- Never leave a burning fire unattended, especially around children or pets.
- Do not wear flammable or loose clothing when operating the fire bowl.
- Never touch any metal or glass surfaces during or immediately after burning fuel. They will be extremely HOT. Allow surfaces to cool for 30 minutes before touching, changing cans or moving the unit.
- Pay attention to sharp edges and corners of burn chamber when handling.

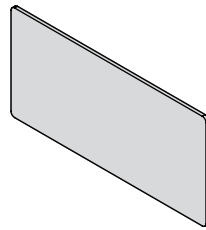
Package Contents



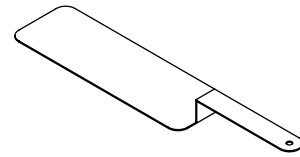
fire bowl body (1 pc)



fuel can + ceramic fiber pad (1set)



glass shield (2 pcs)

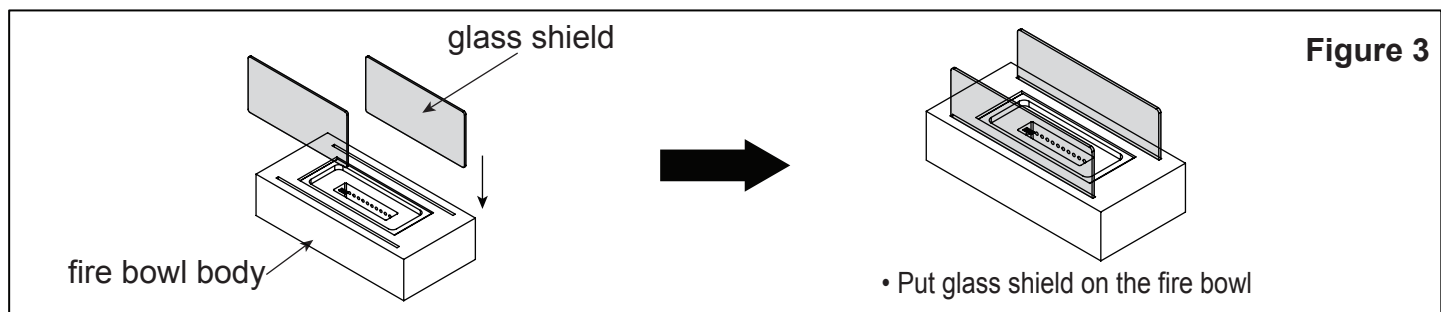
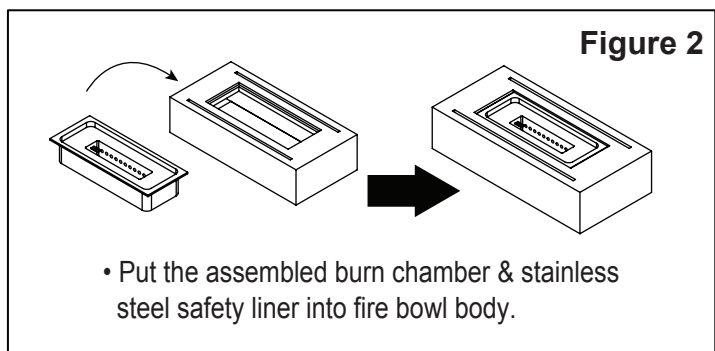
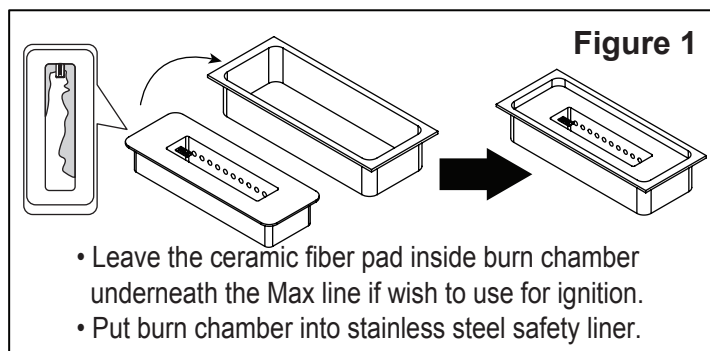


extinguishing cover (1 pc)

NOTE: The included ceramic fiber pad (packed inside the fuel can set) can help absorb liquid fuels, reduce fuel evaporation and provide a more even flame. It is optional to put it inside the chamber for ignition.

Assembly

- Carefully unpack all parts from the box, compare parts with package content listed above, make sure all parts are present before beginning assembly of product. If any part is missing or damaged, do not attempt to assemble the product. Call customer service.
- Place the fuel can into the fire bowl body carefully, make sure the fuel can is leveled (see Figure 1 and 2).
- Insert two pieces of glass shield carefully into the fire bowl body (see Figure 3).

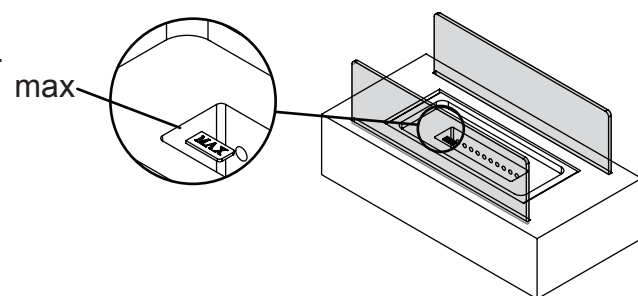


Before lighting the fire bowl

The fuel can is empty, it is recommended to fill bio-ethanol into the can on the initial use. After the fuel is used up, the fuel can can be filled or refueled with bio-ethanol or gel fuel after it is cooled COMPLETELY.

Compatible Fuel Types: Compatible with liquid bioethanol, Isopropyl, rubbing, and spirit alcohol. We recommend using only 70%, 91% or greater liquid isopropyl or bioethanol alcohol as fuel.

NOTE: DO NOT exceed the "max" volume level while refueling the fuel can (see Figure 4).



Lighting the fire bowl

Use a long match or extended butane lighter to ignite fuel. If the fire bowl cannot ignite, repeat the step (see Figure 4).

NOTE:

- Each can burns approx. 30 ~ 45 minutes, on condition that the alcohol content meets or exceeds 90%.
- On the initial use, flames are short. Keep burning 5 minutes, flames will reach out to a desirable height.
- During the initial burn, you may smell a slight odor. The odor is temporary and will be absent on following burns.
- Do not use the short butane lighter to ignite the unit to prevent from the scalding.
- During the burning, the outer wall of fire bowl and glass shield will become extremely HOT. DO NOT touch or move the unit, DO NOT change the cans. Wait 30 minutes until it's cooled completely.

Extinguishing the fire bowl

Place the extinguishing cover onto fuel can until NO flames are present (see Figure 6).

NOTE:

- DO NOT blow out the flames using mouth or electrical fan.
- DO NOT douse the flames using the water.
- After the burning, the outer wall of fire bowl and glass shield is still extremely HOT. DO NOT touch or move the unit, DO NOT change the cans. Wait 30 minute until it's cooled completely.

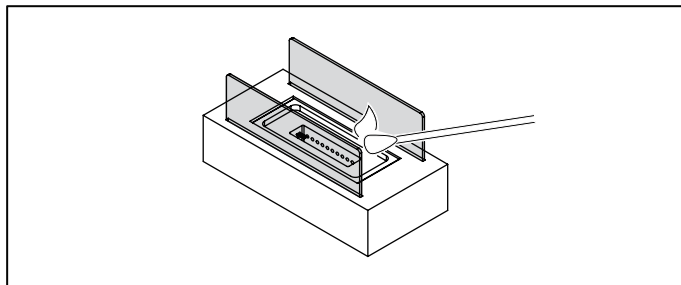


Figure 5

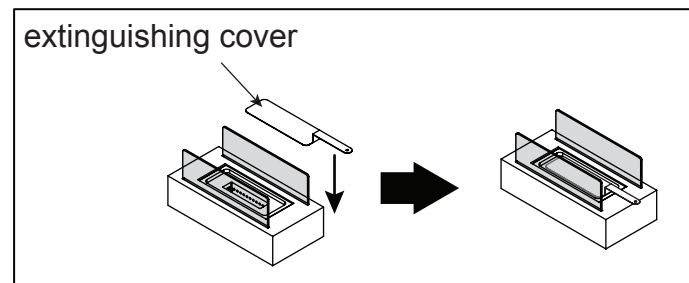


Figure 6

First Aid

- Avoid contact with eyes, mucous membranes or prolonged contact with skin. May irritate eyes.
- If fuel gets in eyes, flush with water for 15 minutes, get medical attention. If ingested, do not induce vomiting, call poison control center or a doctor.

Hazard statements


- Highly flammable liquid and vapor.
- Causes serious eye irritation.
- May cause drowsiness or dizziness.
- At least 70.0% by mass of the contents are flammable.
- Keep out of the reach of children under 18.

Precautionary statements

- If medical advice is needed, have product container or label at hand.
- Keep out of reach of children.
- Read label before use. NEVER POUR THE FUEL IN THE CAN INTO ANY OTHER CONTAINER.
- Keep away from heat/sparks/open flames/hot surfaces. No smoking.
- Use explosion-proof electrical/ventilating/lighting/equipment.
- Avoid breathing dust/fume/gas/mist/vapors/spray.
- Wear protective gloves/protective clothing/eye protection/face protection.
- Ground/bond container and receiving equipment.
- Keep container tightly closed.
- Use only non-sparking tools.
- Take precautionary measures against static discharge.
- Wash thoroughly after handling.
- Use outdoors or indoors in a well-ventilated area.
- IF ON SKIN (or hair): Remove/Take off immediately all contaminated clothing. Rinse skin with water/shower.
- IF IN EYES: Rinse cautiously with water for several minutes. Remove contact lenses, if present and easy to do. Continue rinsing.
- IF INHALED: Remove victim to fresh air and keep at rest in a position comfortable for breathing.
- Call a POISON CENTER or doctor/physician if you feel unwell.
- If eye irritation persists: Get medical advice/attention.
- In case of fire: Use for extinction: CO₂, powder or water spray.
- Store locked up.
- Store in a well-ventilated place. Keep container tightly closed. Keep container cool.
- Dispose of contents/container in accordance with local/regional/national/international law or regulations.

Customer Service Before Return:

If part missing or damaged, or you need help with assembly, please do not hesitate to contact us.

Distributed by
Horizon Marketing Group, LLC 
4198 Industry Way
Flowery Branch, GA 30542 USA