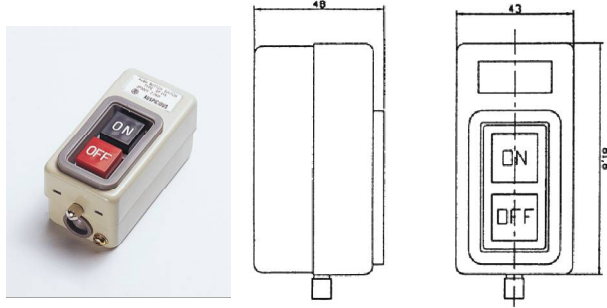


MOTOR START PUSH BUTTON

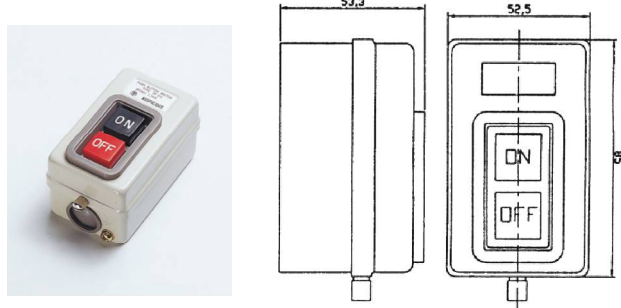
SPECIFICATIONS

Type	SP310	SP315	SP330	SP320
Rating	10A 250VAC 1.5kw	15A 250VAC 2.2kW	30A 250VAC 3.7kW	20A 250VAC 2.2kW
Mounting	Surface mounting	Surface mounting	Surface mounting	Flush mounting
Phase	3	3	3	3

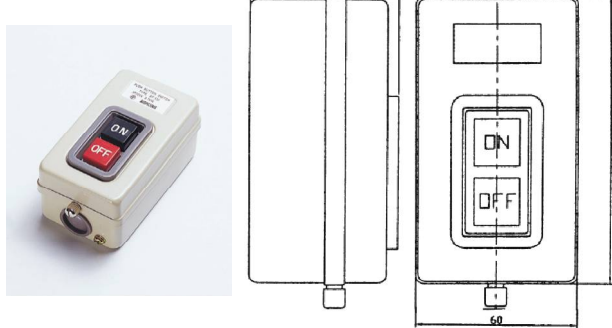
SP310



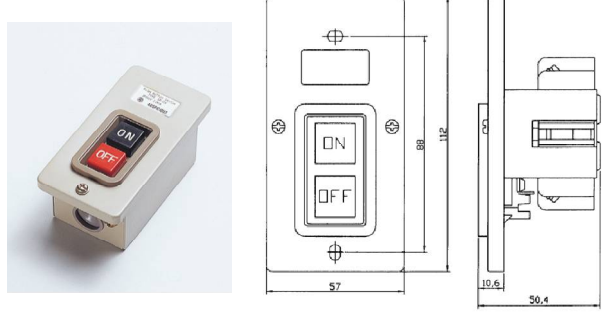
SP315



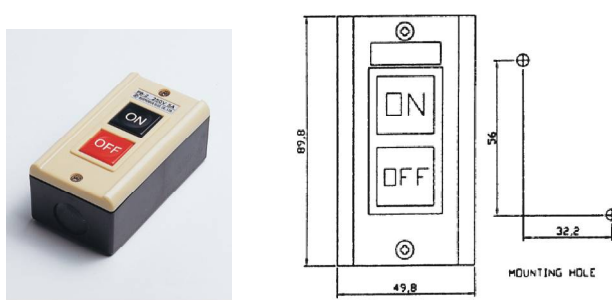
SP330



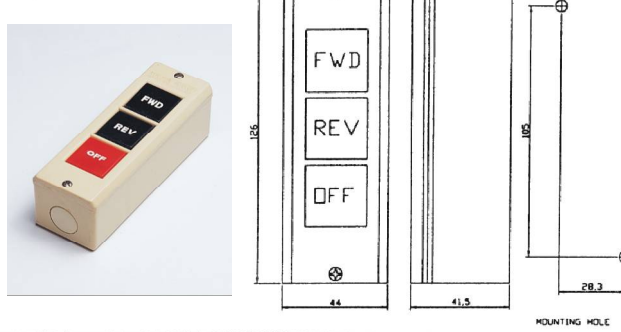
SP320



PB2 5A 250V AC



PB3 5A 250V AC



PB3B 5A 250V AC

