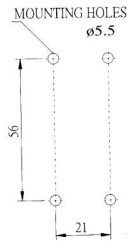


Mini Limit Switches

FEATURES

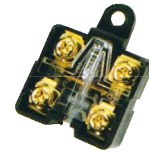
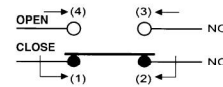
- Wide choice of heads and actuators
- Variety of operating characteristics.
- Captive cover screws.
- Mode of operation is field adjustable.
- Internal grounding screw.
- Dustproof, Oil-Tight, Water-Resistant.
- Temperature range +5 F to +160F



RATING

5A 250 VAC (resistive)
0.4A 125 VDC (resistive)

CIRCUITRY



AZ-8000

CHARACTERISTICS

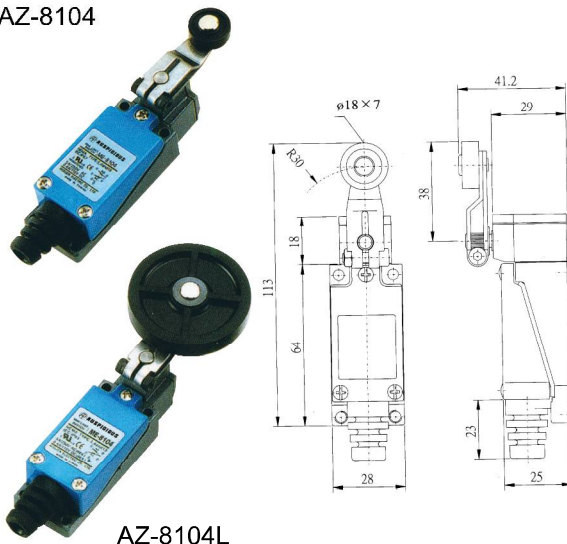
Operating speed	0.5mm to 50m/sec.
Operating frequency	Mechanically: 120 operations/min.
Contact resistance	Electrically :30 operations/min. 15mΩ max.(initial)
Insulation resistance	100M Ω min. (at 500 VDC) 1,000 VAC,50/60 Hz for 1 minute between non-continuous terminals
Dielectric strength	2,000 VAC,50/60 Hz for 1 minute between each terminal and non-current-carrying metal part and between each terminal and ground
Vibration	Malfunction durability : 10 to 55 Hz; 1.5mm double amplitude
Shock	Mechanical durability : Approx. 1,000m/sec ² (approx. 100G's) Malfunction durability : Approx. 300m/sec ² (approx. 30G's)
Ambient temperature	Operating : -15 C to +70C
Humidity	95% RH max.
Service life	Mechanically : 10,000,000 operations min. Electrically : 300,000 operations min.
Degree of protection	IEC 529 class IP65

OPERATING CHARACTERISTICS

Operating characteristics \ Type	AZ-8104	AZ-8108	AZ-8107	AZ-8111	AZ-8112 AZ-8122	AZ-8166 , AZ-8168 AZ-8167 , AZ-8169
OF Max.	600g	600g	750g	900g	900g	150g
RF Min.	50g	50g	50g	150g	150g	-
PT Max.	20	20	20	1.5	1.5	30
OT Min.	75	75	75	4	4	20
DT Max.	10	10	10	1	1	-
TT Min.	95	95	95	5	5	-

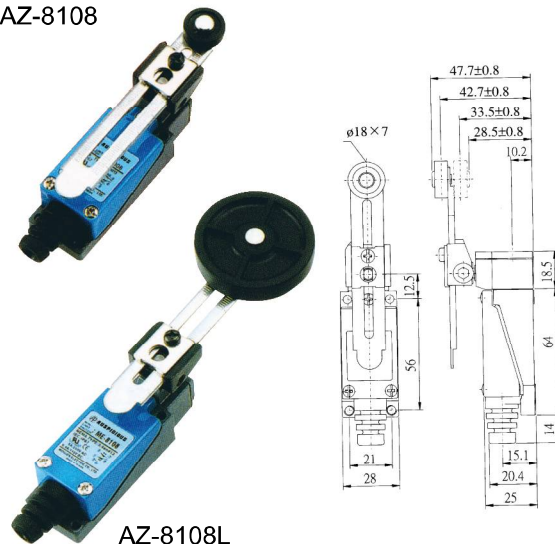
DIMENSIONS

AZ-8104



AZ-8104L

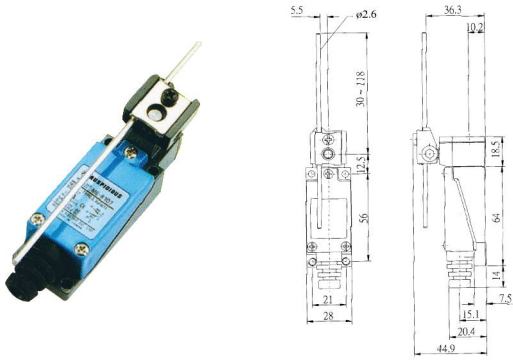
AZ-8108



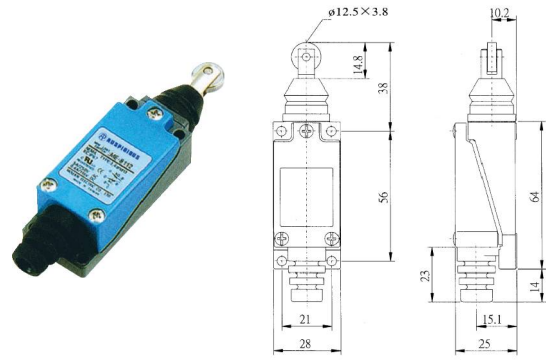
AZ-8108L

Mini Limit Switches

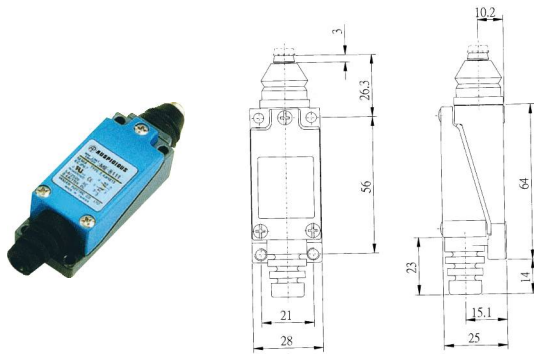
AZ-8107



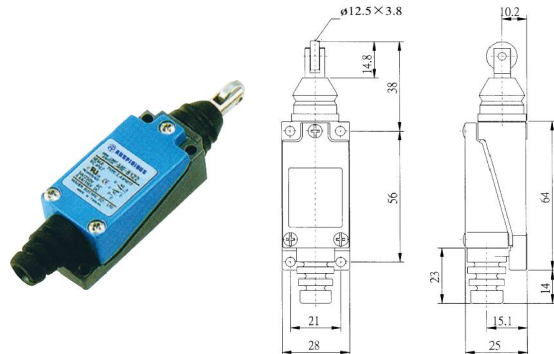
AZ-8112



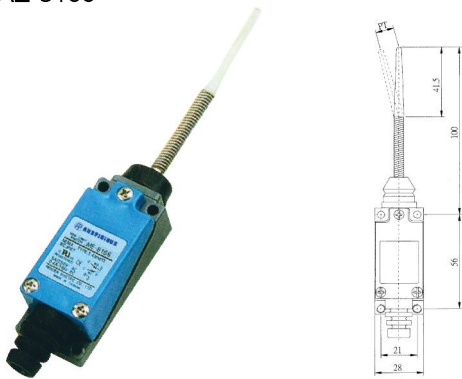
AZ-8111



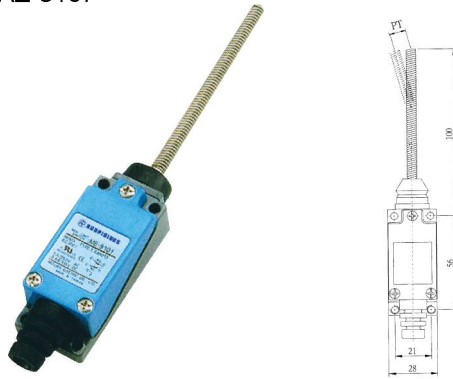
AZ-8122



AZ-8166



AZ-8167



AZ-8168



AZ-8169

