

Micro Switches

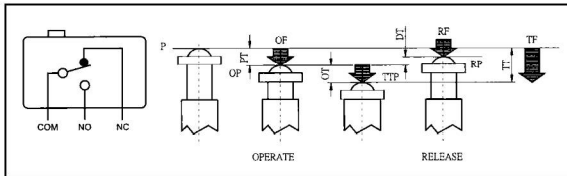
FEATURES

- Regular or sealed operating heads.
- Momentary contacts.
- Completely sealed constructure.
- Wide choice of heads and actuators.
- Plastic(Standdard) or phenolic housing.
- Regular or light operating force.
- Temperature range +5 to +175 (-15 C to +80 C).

CHARACTERISTICS

Operating speed	0.01mm to 1m/sec
Operating frequency	Mechanically : 240 operations/min. Electrically : 20 operations/min.
Contact resistance	15m Ω max.(initial)
Insulation resistance	100M Ω min. (at 500 VDC)
Dielectric strength	1,000 VAC,50/60 Hz for 1minute between non-continuous terminals 2,000 VAC,50/60 Hz for 1 minute between current-carry part and ground.
Vibration	Malfunction durability : 10 to 55 Hz 1.5mm double amplitude
Shock	Mechanical durability : Approx. 1,000m/sec ² (approx. 100G's) Malfunction durability : Approx. 300m/sec ² (approx. 30G's)
Ambient operating temperature	General purpose type : -25 C to +80C Sealed type : -15 C to +8C
Humidity	General purpose type : 85% RH max. Sealed type : 95% RH
Service life	Mechanically : 20,000,000 operations min. Electrically : 500,000 operations min.

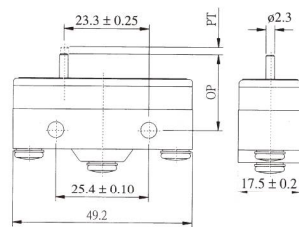
CIRCUITRY



AM-1300



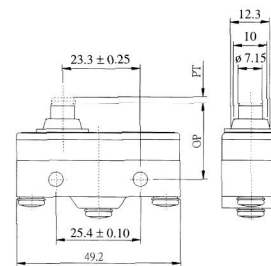
F MAX	250g-450g
RF MIN	114g
PT MAX	0.5mm
OT MIN	0.13mm
DT MAX	0.05mm
FP MAX	-
OP	15.9 ± 0.4



AM-1306



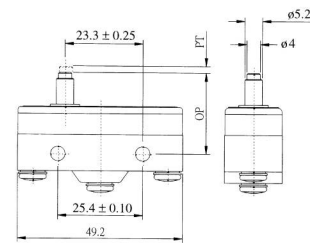
F MAX	250g-450g
RF MIN	114g
PT MAX	0.5mm
OT MIN	1.6mm
DT MAX	0.05mm
FP MAX	-
OP	21.5 ± 0.5



AM-1305



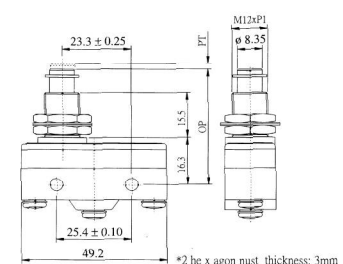
F MAX	250g-450g
RF MIN	114g
PT MAX	0.5mm
OT MIN	0.6mm
DT MAX	0.05mm
FP MAX	-
OP	28.2 ± 0.5




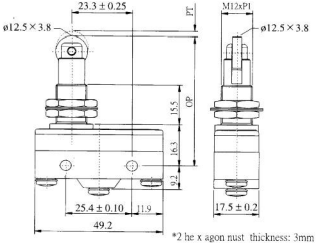

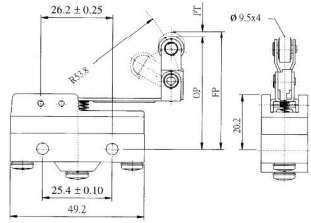

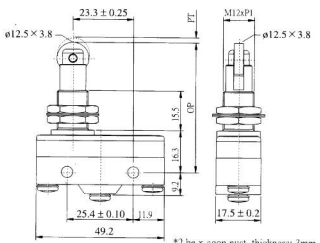

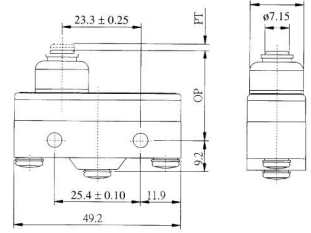

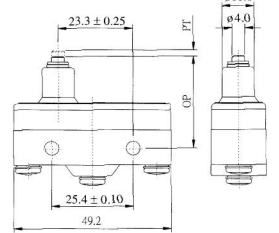

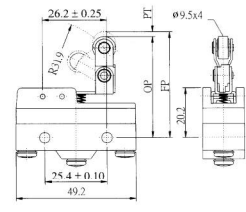

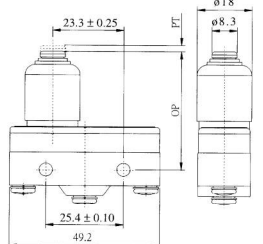

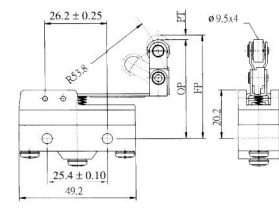

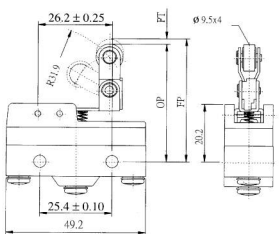

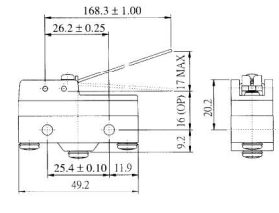
AM-1307



F MAX	250g-450g
RF MIN	114g
PT MAX	0.5mm
OT MIN	5.5mm
DT MAX	0.05mm
FP MAX	-
OP	38.1 ± 0.8

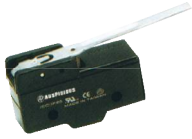


Micro Switches

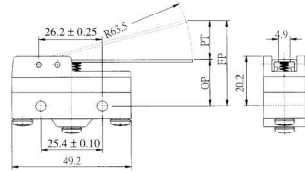
 <table border="1" data-bbox="227 420 406 556"> <tr><td>F MAX</td><td>250g-450g</td></tr> <tr><td>RF MIN</td><td>114g</td></tr> <tr><td>PT MAX</td><td>0.5mm</td></tr> <tr><td>OT MIN</td><td>3.58mm</td></tr> <tr><td>DT MAX</td><td>0.05mm</td></tr> <tr><td>FP MAX</td><td>-</td></tr> <tr><td>OP</td><td>49.7 ± 1.2</td></tr> </table>	F MAX	250g-450g	RF MIN	114g	PT MAX	0.5mm	OT MIN	3.58mm	DT MAX	0.05mm	FP MAX	-	OP	49.7 ± 1.2	<p style="text-align: center;">AM-1308</p>  <p style="text-align: center;">*2 he x agon rust thickness: 3mm</p>	 <table border="1" data-bbox="836 420 1023 556"> <tr><td>F MAX</td><td>150g</td></tr> <tr><td>RF MIN</td><td>25g</td></tr> <tr><td>PT MAX</td><td>6.4mm</td></tr> <tr><td>OT MIN</td><td>4.0mm</td></tr> <tr><td>DT MAX</td><td>1.6mm</td></tr> <tr><td>FP MAX</td><td>47.2mm</td></tr> <tr><td>OP</td><td>41.3 ± 0.8</td></tr> </table>	F MAX	150g	RF MIN	25g	PT MAX	6.4mm	OT MIN	4.0mm	DT MAX	1.6mm	FP MAX	47.2mm	OP	41.3 ± 0.8	<p style="text-align: center;">AM-1514</p> 
F MAX	250g-450g																														
RF MIN	114g																														
PT MAX	0.5mm																														
OT MIN	3.58mm																														
DT MAX	0.05mm																														
FP MAX	-																														
OP	49.7 ± 1.2																														
F MAX	150g																														
RF MIN	25g																														
PT MAX	6.4mm																														
OT MIN	4.0mm																														
DT MAX	1.6mm																														
FP MAX	47.2mm																														
OP	41.3 ± 0.8																														
 <table border="1" data-bbox="227 756 406 892"> <tr><td>F MAX</td><td>250g-450g</td></tr> <tr><td>RF MIN</td><td>114g</td></tr> <tr><td>PT MAX</td><td>0.5mm</td></tr> <tr><td>OT MIN</td><td>3.58mm</td></tr> <tr><td>DT MAX</td><td>0.05mm</td></tr> <tr><td>FP MAX</td><td>-</td></tr> <tr><td>OP</td><td>49.7 ± 1.2</td></tr> </table>	F MAX	250g-450g	RF MIN	114g	PT MAX	0.5mm	OT MIN	3.58mm	DT MAX	0.05mm	FP MAX	-	OP	49.7 ± 1.2	<p style="text-align: center;">AM-1309</p>  <p style="text-align: center;">*2 he x agon rust thickness: 3mm</p>	 <table border="1" data-bbox="836 756 1023 892"> <tr><td>F MAX</td><td>540g</td></tr> <tr><td>RF MIN</td><td>114g</td></tr> <tr><td>PT MAX</td><td>2.3mm</td></tr> <tr><td>OT MIN</td><td>1.6mm</td></tr> <tr><td>DT MAX</td><td>0.06mm</td></tr> <tr><td>FP MAX</td><td>-</td></tr> <tr><td>OP</td><td>28.2 ± 0.5</td></tr> </table>	F MAX	540g	RF MIN	114g	PT MAX	2.3mm	OT MIN	1.6mm	DT MAX	0.06mm	FP MAX	-	OP	28.2 ± 0.5	<p style="text-align: center;">AM-1515</p> 
F MAX	250g-450g																														
RF MIN	114g																														
PT MAX	0.5mm																														
OT MIN	3.58mm																														
DT MAX	0.05mm																														
FP MAX	-																														
OP	49.7 ± 1.2																														
F MAX	540g																														
RF MIN	114g																														
PT MAX	2.3mm																														
OT MIN	1.6mm																														
DT MAX	0.06mm																														
FP MAX	-																														
OP	28.2 ± 0.5																														
 <table border="1" data-bbox="227 1092 406 1228"> <tr><td>F MAX</td><td>540g</td></tr> <tr><td>RF MIN</td><td>114g</td></tr> <tr><td>PT MAX</td><td>1.9mm</td></tr> <tr><td>OT MIN</td><td>1.6mm</td></tr> <tr><td>DT MAX</td><td>0.06mm</td></tr> <tr><td>FP MAX</td><td>-</td></tr> <tr><td>OP</td><td>28.2 ± 0.5</td></tr> </table>	F MAX	540g	RF MIN	114g	PT MAX	1.9mm	OT MIN	1.6mm	DT MAX	0.06mm	FP MAX	-	OP	28.2 ± 0.5	<p style="text-align: center;">AM-1315</p> 	 <table border="1" data-bbox="836 1092 1023 1228"> <tr><td>F MAX</td><td>250g-450g</td></tr> <tr><td>RF MIN</td><td>114g</td></tr> <tr><td>PT MAX</td><td>0.5mm</td></tr> <tr><td>OT MIN</td><td>0.13mm</td></tr> <tr><td>DT MAX</td><td>0.05mm</td></tr> <tr><td>FP MAX</td><td>-</td></tr> <tr><td>OP</td><td>15.9 ± 0.4</td></tr> </table>	F MAX	250g-450g	RF MIN	114g	PT MAX	0.5mm	OT MIN	0.13mm	DT MAX	0.05mm	FP MAX	-	OP	15.9 ± 0.4	<p style="text-align: center;">AM-1543</p> 
F MAX	540g																														
RF MIN	114g																														
PT MAX	1.9mm																														
OT MIN	1.6mm																														
DT MAX	0.06mm																														
FP MAX	-																														
OP	28.2 ± 0.5																														
F MAX	250g-450g																														
RF MIN	114g																														
PT MAX	0.5mm																														
OT MIN	0.13mm																														
DT MAX	0.05mm																														
FP MAX	-																														
OP	15.9 ± 0.4																														
 <table border="1" data-bbox="227 1428 406 1564"> <tr><td>F MAX</td><td>540g</td></tr> <tr><td>RF MIN</td><td>114g</td></tr> <tr><td>PT MAX</td><td>2.4mm</td></tr> <tr><td>OT MIN</td><td>3.5mm</td></tr> <tr><td>DT MAX</td><td>0.06mm</td></tr> <tr><td>FP MAX</td><td>-</td></tr> <tr><td>OP</td><td>38.1 ± 1.2</td></tr> </table>	F MAX	540g	RF MIN	114g	PT MAX	2.4mm	OT MIN	3.5mm	DT MAX	0.06mm	FP MAX	-	OP	38.1 ± 1.2	<p style="text-align: center;">AM-1317</p> 	 <table border="1" data-bbox="836 1428 1023 1564"> <tr><td>F MAX</td><td>170g</td></tr> <tr><td>RF MIN</td><td>42g</td></tr> <tr><td>PT MAX</td><td>2.7mm</td></tr> <tr><td>OT MIN</td><td>2.4mm</td></tr> <tr><td>DT MAX</td><td>0.51mm</td></tr> <tr><td>FP MAX</td><td>43.6mm</td></tr> <tr><td>OP</td><td>41.3 ± 0.8</td></tr> </table>	F MAX	170g	RF MIN	42g	PT MAX	2.7mm	OT MIN	2.4mm	DT MAX	0.51mm	FP MAX	43.6mm	OP	41.3 ± 0.8	<p style="text-align: center;">AM-1544</p> 
F MAX	540g																														
RF MIN	114g																														
PT MAX	2.4mm																														
OT MIN	3.5mm																														
DT MAX	0.06mm																														
FP MAX	-																														
OP	38.1 ± 1.2																														
F MAX	170g																														
RF MIN	42g																														
PT MAX	2.7mm																														
OT MIN	2.4mm																														
DT MAX	0.51mm																														
FP MAX	43.6mm																														
OP	41.3 ± 0.8																														
 <table border="1" data-bbox="227 1764 406 1911"> <tr><td>F MAX</td><td>180g</td></tr> <tr><td>RF MIN</td><td>50g</td></tr> <tr><td>PT MAX</td><td>2.7mm</td></tr> <tr><td>OT MIN</td><td>2.4mm</td></tr> <tr><td>DT MAX</td><td>0.8mm</td></tr> <tr><td>FP MAX</td><td>43.6mm</td></tr> <tr><td>OP</td><td>41.3 ± 1.8</td></tr> </table>	F MAX	180g	RF MIN	50g	PT MAX	2.7mm	OT MIN	2.4mm	DT MAX	0.8mm	FP MAX	43.6mm	OP	41.3 ± 1.8	<p style="text-align: center;">AM-1513</p> 	 <table border="1" data-bbox="836 1764 1023 1911"> <tr><td>F MAX</td><td>110g</td></tr> <tr><td>RF MIN</td><td>25g</td></tr> <tr><td>PT MAX</td><td>6.4mm</td></tr> <tr><td>OT MIN</td><td>4.0mm</td></tr> <tr><td>DT MAX</td><td>1.6mm</td></tr> <tr><td>FP MAX</td><td>47.2mm</td></tr> <tr><td>OP</td><td>41.3 ± 0.8</td></tr> </table>	F MAX	110g	RF MIN	25g	PT MAX	6.4mm	OT MIN	4.0mm	DT MAX	1.6mm	FP MAX	47.2mm	OP	41.3 ± 0.8	<p style="text-align: center;">AM-1578</p> 
F MAX	180g																														
RF MIN	50g																														
PT MAX	2.7mm																														
OT MIN	2.4mm																														
DT MAX	0.8mm																														
FP MAX	43.6mm																														
OP	41.3 ± 1.8																														
F MAX	110g																														
RF MIN	25g																														
PT MAX	6.4mm																														
OT MIN	4.0mm																														
DT MAX	1.6mm																														
FP MAX	47.2mm																														
OP	41.3 ± 0.8																														

Micro Switches

AM-1701



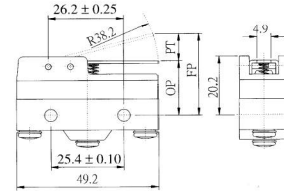
F MAX	70g
RF MIN	14g
PT MAX	10mm
OT MIN	5.5mm
DT MAX	1.27mm
FP MAX	28.2mm
OP	19 ± 0.8



AM-1712



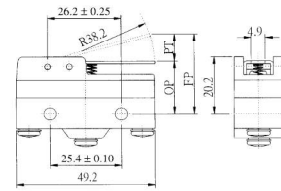
F MAX	150g
RF MIN	25g
PT MAX	6.4mm
OT MIN	4.0mm
DT MAX	1.6mm
FP MAX	47.2mm
OP	41.3 ± 0.8



AM-1702



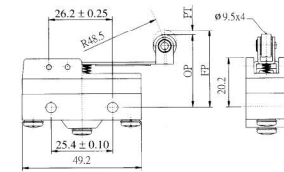
F MAX	120g
RF MIN	20g
PT MAX	7.9mm
OT MIN	3.0mm
DT MAX	1.0mm
FP MAX	26.2mm
OP	19 ± 0.8



AM-1713



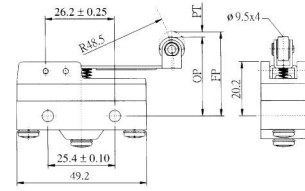
F MAX	540g
RF MIN	114g
PT MAX	2.3mm
OT MIN	1.6mm
DT MAX	0.06mm
FP MAX	-
OP	28.2 ± 0.5



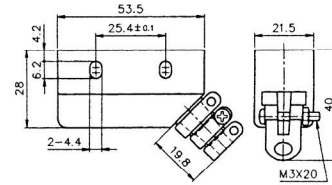
AM-1703



F MAX	100g
RF MIN	21g
PT MAX	7.1mm
OT MIN	4.0mm
DT MAX	1.6mm
FP MAX	36.5mm
OP	30.2 ± 0.8



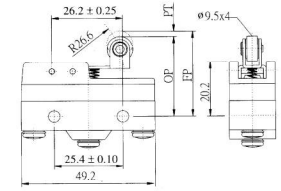
CB-Y



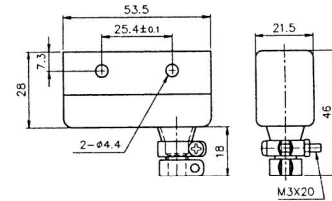
AM-1704



F MAX	160g
RF MIN	42g
PT MAX	3.5mm
OT MIN	2.4mm
DT MAX	0.5mm
FP MAX	34.5mm
OP	30.2 ± 0.8



CB-Z



AM-1711



F MAX	100g
RF MIN	14g
PT MAX	10mm
OT MIN	5.6mm
DT MAX	2.0mm
FP MAX	28.2mm
OP	19 ± 0.8

