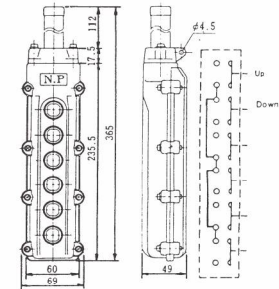
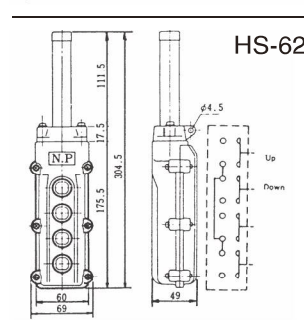
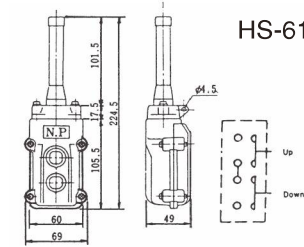


HOIST WATER PROOF PUSH BUTTON (INDIRECT OPERATION)

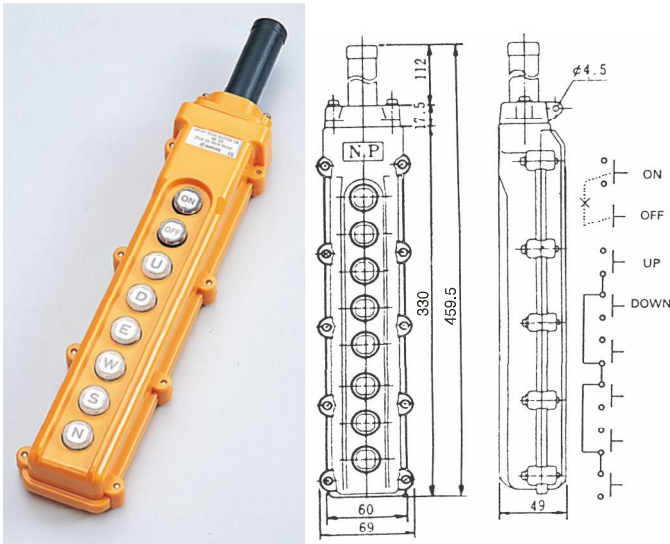


Number of buttons	Complete type	Rating	Cable bushing diameter (mm)
2 (1pair)	HS-61	24VAC 5A	8~16Dia
4 (2pair)	HS-62	120VAC 5A	
6 (3pair)	HS-63	250VAC 5A	
8 (4pair)	HS-64	500VAC 5A 24VDC 2A 120VDC 0.4A	



Compact high visibility orange enclosure NEMA 4x enclosure rating Ultra-long service life, -15°C~70°C operation 100g shock resistance Au switch pairs are mechanically interlocked ON-OFF can be substituted in first two buttons any switch shown

HS-64



HS603-ES



HS605-ES



Item No.	Specification	Rating
HS603-ES	1 E-stop switch	24 VAC 5A
	2 Button(1 pair)	120 VAC 5A
	1N/O+1N/O	250 VAC 5A 500 VAC 5A
HS605-ES	1 E-stop switch	24 VDC 2A
	4 Button(2 pair) each button 1N/O	120 VDC 2A
HS607-ES	1 E-stop switch 6 Button(3 pair) each button 1N/O	

LEGENDS

UP	DOWN	FAST	SLOW	HING	LOW	NORTH	SOUTH
ON	OFF	RIGHT	LEFT	RAISE	LOWER	EAST	WEST
IN	OUT	FWD	REV	START	STOP	OPEN	CLOSE

Cable bushing diameter:8-16mmø

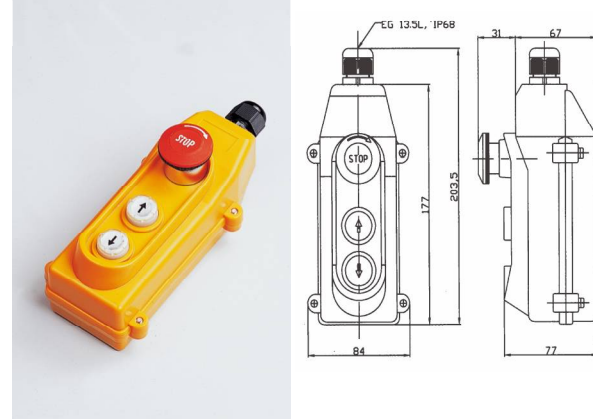
DIRECT OPERATION HOIST PUSH BUTTON PENDANT SWITCH



Dimensions and Connections of COB213



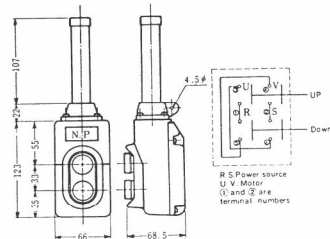
COB213ES



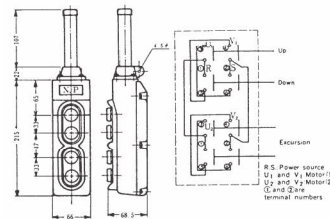
Designed for direct control of single phase electric motors. Since motor current is controlled directly by the pendant switch no extra reversing contactors or costly controls are required.

Features

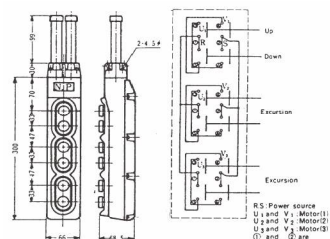
- Durable high quality A.B.S. Pendant switch housing
- Highly visible safety orange color
- NEMA 4 water-proof enclosure
- Split case design for easy installation and wiring
- Flexible cable boot selected to match size of cable prevents entry of foreign debris
- Slim compact size suited for one hand operation
- Control ratings for 1HP max. at 120 VAC
- Two button switch with a wide range of legend markings



COB21



COB22



COB23

Legends

UP, DOWN, RAISE, LOWER, EAST, NORTH, SOUTH, U, D, E, W, N, S, R, L, ↑↓

Rating : 220VAC, 22KW water proof operation

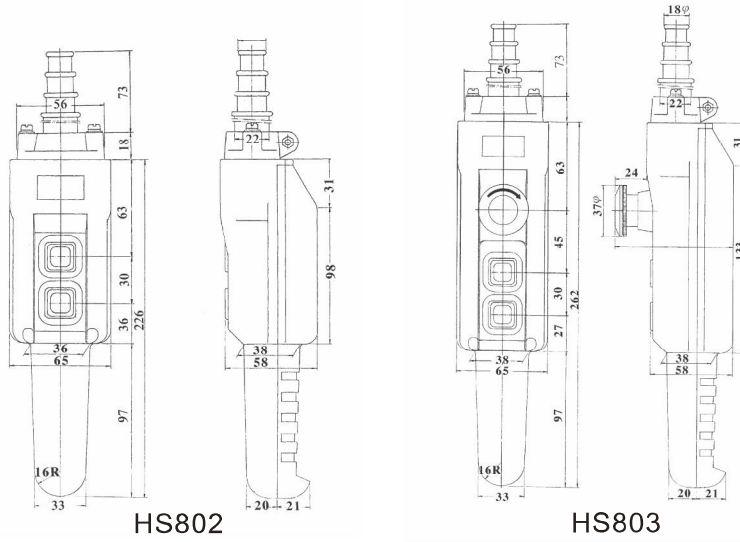
HOIST WATER PROOF PUSH BUTTON PENDANT SWITCH



HS802



HS803



The **HS80 Series** is a compact, pistol-grip design two-button, three-button with Emergency stop pendant station, and features:

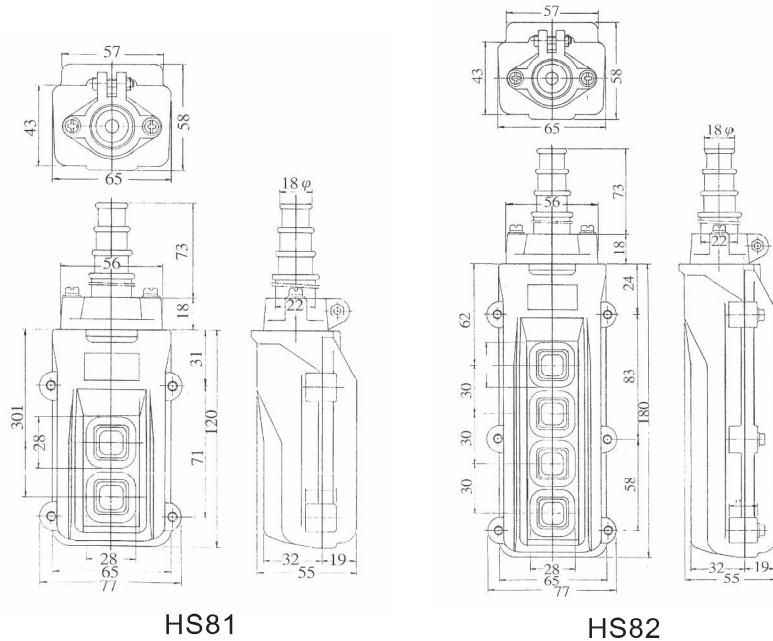
- An especially ergonomic design-less than three inches wide-weighing only 10 ounces
- Construction of high impact ABS, and high visibility safety yellow
- NEMA 4 waterproof rating
- Single-speed 5 amp, 250 volt contact block
- Multi-diameter cable bushing



HS81



HS82



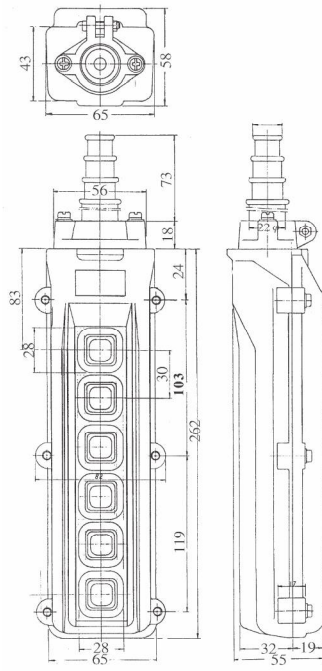
HOIST WATER PROOF PUSH BUTTON PENDANT SWITCH



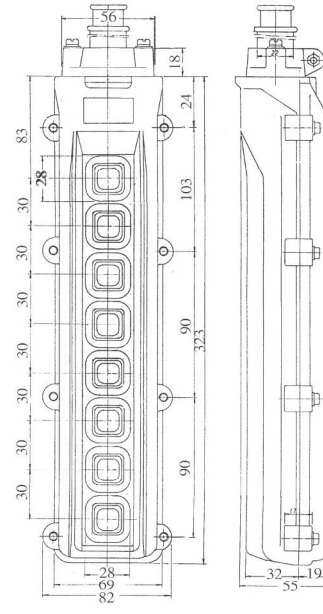
HS83



HS84



HS83



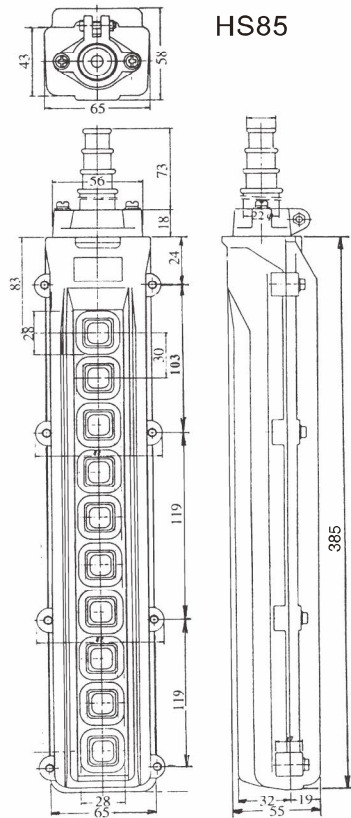
HS84



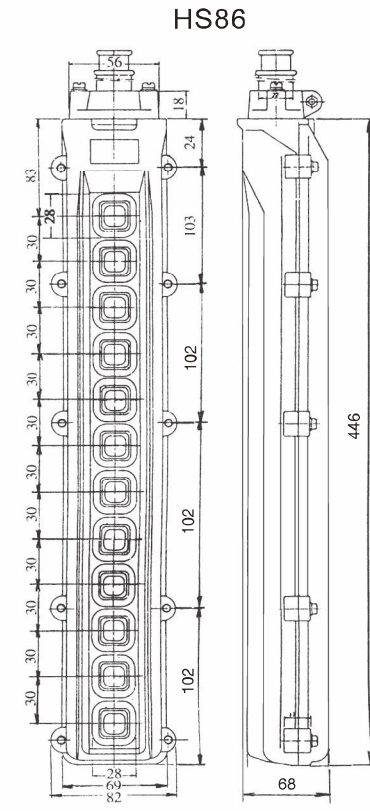
HS85



HS86







HS85



HS86

HOIST WATERPROOF PUSH BUTTON PENDANT SWITCH



<p>HS803-ES HS805-ES</p> 	<table border="1"> <thead> <tr> <th>Item No.</th> <th></th> </tr> </thead> <tbody> <tr> <td>HS803-ES</td> <td>Emergency stop switch, (Reset) 2 Single Speed UP, Down (↓ · ↑)</td> </tr> <tr> <td>HS803-2S</td> <td>Emergency stop switch, (Reset) 2 Double Speed (↓↓ · ↑↑)</td> </tr> <tr> <td>HS805-ES</td> <td>Emergency stop switch, (Reset) 4 Single Speed UP, Down (↓ · ↑ ← · →)</td> </tr> <tr> <td>HS805-2S</td> <td>Emergency stop switch, (Reset) 4 Double Speed (↓↓ · ↑↑ ⇄ · ⇄)</td> </tr> </tbody> </table>	Item No.		HS803-ES	Emergency stop switch, (Reset) 2 Single Speed UP, Down (↓ · ↑)	HS803-2S	Emergency stop switch, (Reset) 2 Double Speed (↓↓ · ↑↑)	HS805-ES	Emergency stop switch, (Reset) 4 Single Speed UP, Down (↓ · ↑ ← · →)	HS805-2S	Emergency stop switch, (Reset) 4 Double Speed (↓↓ · ↑↑ ⇄ · ⇄)
Item No.											
HS803-ES	Emergency stop switch, (Reset) 2 Single Speed UP, Down (↓ · ↑)										
HS803-2S	Emergency stop switch, (Reset) 2 Double Speed (↓↓ · ↑↑)										
HS805-ES	Emergency stop switch, (Reset) 4 Single Speed UP, Down (↓ · ↑ ← · →)										
HS805-2S	Emergency stop switch, (Reset) 4 Double Speed (↓↓ · ↑↑ ⇄ · ⇄)										
<p>HS821 HS822</p> 	<table border="1"> <tbody> <tr> <td>HS821</td> <td>Emergency stop switch, (Reset) Illuminated push off -push on switch 2 Single speed UP, Down (↓ · ↑) Deep back</td> </tr> <tr> <td>HS822</td> <td>Emergency stop switch, (Reset) Illuminated push off -push on switch 2 Double speed UP, Down (↓↓ · ↑↑) Deep back</td> </tr> </tbody> </table>	HS821	Emergency stop switch, (Reset) Illuminated push off -push on switch 2 Single speed UP, Down (↓ · ↑) Deep back	HS822	Emergency stop switch, (Reset) Illuminated push off -push on switch 2 Double speed UP, Down (↓↓ · ↑↑) Deep back						
HS821	Emergency stop switch, (Reset) Illuminated push off -push on switch 2 Single speed UP, Down (↓ · ↑) Deep back										
HS822	Emergency stop switch, (Reset) Illuminated push off -push on switch 2 Double speed UP, Down (↓↓ · ↑↑) Deep back										
<p>HS831 HS833 HS832 HS834</p> 	<table border="1"> <tbody> <tr> <td>HS831</td> <td>Emergency stop switch, (Reset) Selector switch 2 position, 1 - 2 4 Single speed</td> </tr> <tr> <td>HS832</td> <td>Emergency stop switch, (Reset) Selector switch 2 position, 1 - 2 4 Double speed</td> </tr> <tr> <td>HS833</td> <td>Emergency stop switch, (Reset) Illuminated push off -push on switch 4 Single speed Deep back</td> </tr> <tr> <td>HS834</td> <td>Emergency stop switch, (Reset) Illuminated push off -push on switch 4 Double speed Deep back</td> </tr> </tbody> </table>	HS831	Emergency stop switch, (Reset) Selector switch 2 position, 1 - 2 4 Single speed	HS832	Emergency stop switch, (Reset) Selector switch 2 position, 1 - 2 4 Double speed	HS833	Emergency stop switch, (Reset) Illuminated push off -push on switch 4 Single speed Deep back	HS834	Emergency stop switch, (Reset) Illuminated push off -push on switch 4 Double speed Deep back		
HS831	Emergency stop switch, (Reset) Selector switch 2 position, 1 - 2 4 Single speed										
HS832	Emergency stop switch, (Reset) Selector switch 2 position, 1 - 2 4 Double speed										
HS833	Emergency stop switch, (Reset) Illuminated push off -push on switch 4 Single speed Deep back										
HS834	Emergency stop switch, (Reset) Illuminated push off -push on switch 4 Double speed Deep back										
<p>HSD84 Dual cable bushing</p> 	<table border="1"> <tbody> <tr> <td>HSD-84S</td> <td>Single speed ON-OFF, UP DOWN, LEFT RIGHT EAST WEST, (Others Available)</td> </tr> <tr> <td>HSD-84D</td> <td>Two speed ON-OFF, UP DOWN, LEFT RIGHT EAST WEST, (Others Available)</td> </tr> </tbody> </table>	HSD-84S	Single speed ON-OFF, UP DOWN, LEFT RIGHT EAST WEST, (Others Available)	HSD-84D	Two speed ON-OFF, UP DOWN, LEFT RIGHT EAST WEST, (Others Available)						
HSD-84S	Single speed ON-OFF, UP DOWN, LEFT RIGHT EAST WEST, (Others Available)										
HSD-84D	Two speed ON-OFF, UP DOWN, LEFT RIGHT EAST WEST, (Others Available)										

HOIST WATER PROOF PUSH BUTTON PENDANT SWITCH



HS841 HS842	HS843 HS844	Item No.		
		HS841	Emergency stop switch, (Reset) Selector switch 2 position, 1 - 2 6 Single speed	
		HS842	Emergency stop switch, (Reset) Selector switch 2 position, 1 - 2 6 Double speed	
		HS843	Emergency stop switch, (Reset) Pilot lamp 6 Single speed	
		HS844	Emergency stop switch, (Reset) Pilot lamp 6 Double speed	
HS861 HS862	HS851 HS852	Item No.	Emergency stop switch, (Reset) Pilot lamp 6 Single speed 2 Double speed	
			HS852	Emergency stop switch, (Reset) Pilot lamp 4 Single speed 4 Double speed
			HS861	Emergency stop switch, (Reset) Selector switch 2 position, 1 - 2 6 Single speed 4 Double speed
			HS862	Emergency stop switch, (Reset) Selector switch 2 position, 1 - 2 4 Single speed 6 Double speed