



ANLY COUNTER

H7E TOTAL COUNTER / TIME COUNTER / TACHOMETER



CHARACTERISTICS :

H7E-C

- It is a 8-digit total counter
- It can switch between 30Hz and 1KHz signal via DIP switch

H7E-T

- It is a 7-digit time counter
- It can switch between 2 models via DIP switch
H7E-TA: 999999.9h/3999d23.9h
H7E-TB: 999h59m59s/9999h59.9m
- H7E-C, H7E-T with key-protect switch to prevent faulty reset key operation

H7E-R

- H7E-RA is a 4-digit tachometer, revolution up to 1000(rps/rpm)
- H7E-RB is a 5-digit tachometer, revolution up to 1000.0(rps/rpm) / 10000rpm(switch by DIP switch)
- Backlight option (requires AC/DC 24V power supply)
- 60 mm short body design

SPECIFICATION :

Operating voltage	DC(V): 3(Built-in Battery CR123A)
Backlight operating voltage	AC/DC(V): 24
Allowable operating voltage range	85~110% of rated operating voltage
Rated frequency	50 / 60 Hz
Power consumption	Approx. 0.8W/2.4VA
Battery type	CR123A
Battery life	H7E-C/-R: 7 years min (at 20°C) H7E-T: 10 years min (at 20°C)
Ambient temperature	-10 ~ +50°C (without condensation & freezing)
Ambient humidity	MAX 85% RH (without condensation)
Altitude	MAX 2000m
Weight	Approx. 62g

TYPE SELECTION :

H7E-C

Input Type	Max. Count Speed	No Backlight	Backlight
No-voltage input	30Hz / 1KHz (switchable)	H7E-C	H7E-C-B
AC/DC 24~240V	20Hz	H7E-CM	H7E-CM-B

H7E-T

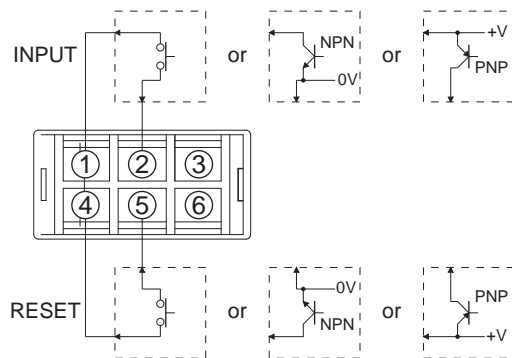
Input Type	Time Range	No Backlight	Backlight
No-voltage input	999999.9h / 3999d23.9h (switchable)	H7E-TA	H7E-TA-B
	999h59m59s / 9999h59.9m (switchable)	H7E-TB	H7E-TB-B
AC/DC 24~240V	999999.9h / 3999d23.9h (switchable)	H7E-TMA	H7E-TMA-B
	999h59m59s / 9999h59.9m (switchable)	H7E-TMB	H7E-TMB-B

H7E-R

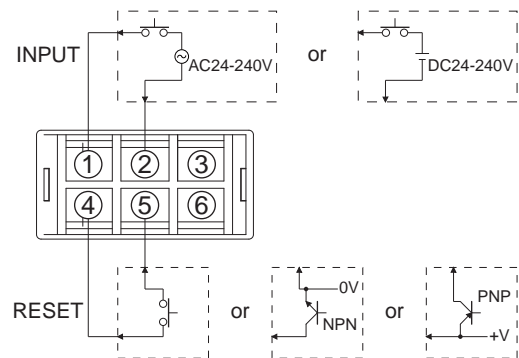
Input Type	Max. Revolution Display (encoder resolution used)	No Backlight	Backlight
No-voltage input	1000 rps (1 pulse/rev.), 1000 rpm (60 pulse/rev.)	H7E-RA	H7E-RA-B
	1000.0 rps (10 pulse/rev.), 1000.0 rpm (600 pulse/rev.) / 10000 rpm (60 pulse/rev.)(switchable)	H7E-RB	H7E-RB-B

CONNECTION :

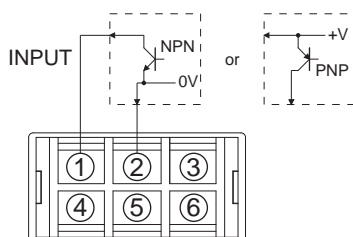
H7E-C/-T



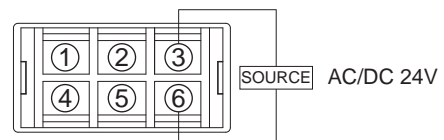
H7E-CM/-TM



H7E-R



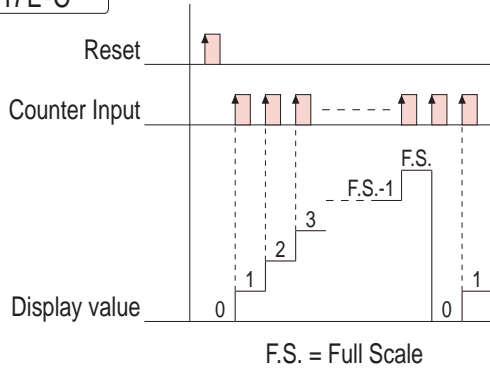
Backlight



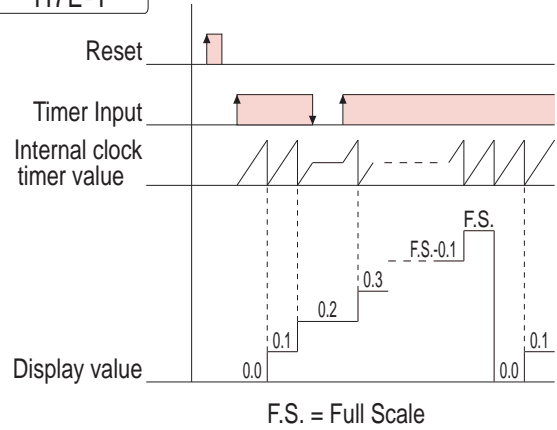
Note: Transistor Input(Open collector of an NPN / PNP Transistor)

TIMING CHART :

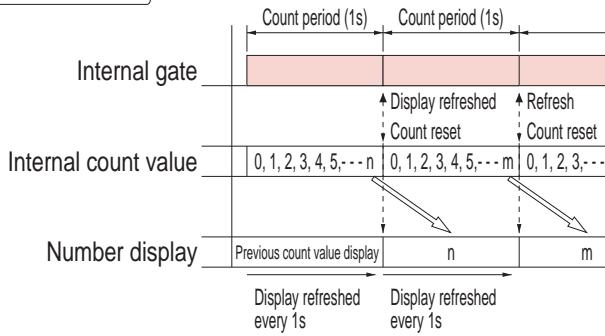
H7E-C



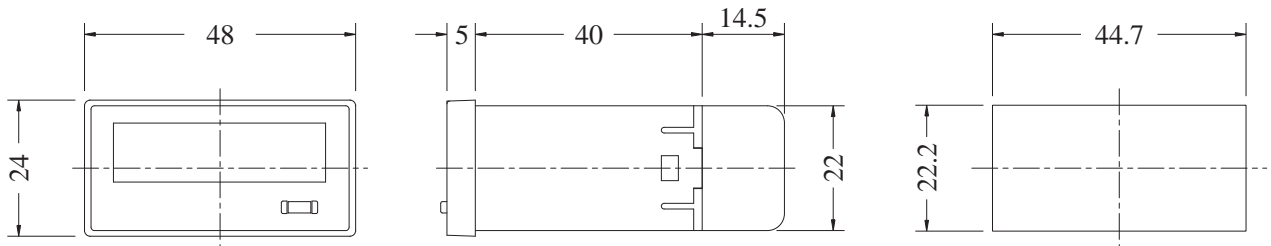
H7E-T



H7E-R



DIMENSIONS : (mm)



ANLY ELECTRONICS CO., LTD.

<http://www.anly.com.tw>

TAIWAN MAIN OFFICE : ANLY ELECTRONICS CO., LTD.

No.19, Lane 202, Fushou St., Xinzhuang Dist., New Taipei City 242, Taiwan
 TEL: +886-2-2996-3202 FAX: +886-2-2996-2017

MALAYSIA BRANCH : JUSTY ELECTRONICS (M) SDN, BHD.

No.1, Jalan 6/89B, Kawasan Perindustrian Trisegi, Batu 3 1/2 Off Jalan Sungei Besi, 57100 Kuala Lumpur, Malaysia
 TEL: +60-3-7983-5758 FAX: +60-3-7981-5052

HONG KONG BRANCH : ANLY ELECTRONICS (HK) LTD.

Flat K, 13/F, Edward Mansion, 141 Prince Edward Road W., Kowloon, Hong Kong
 TEL: +852-2397-2505 FAX: +852-2397-6080

SHANGHAI BRANCH : ANLY TECHNOLOGY (WUXI) CO., LTD.

Room 13G, No.831, Xinzha Rd., Jingan District, Shanghai, China 200041
 TEL: +86-21-6218-3300 FAX: +86-21-6217-5911