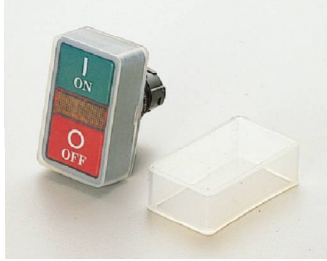
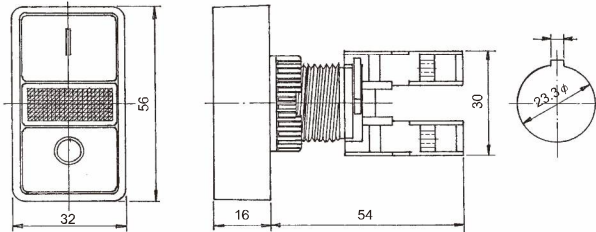
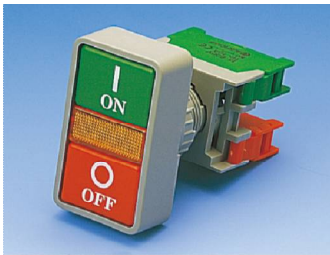


Double Push Button 22φ, 25φ, 30φ Illuminated Double Push Button

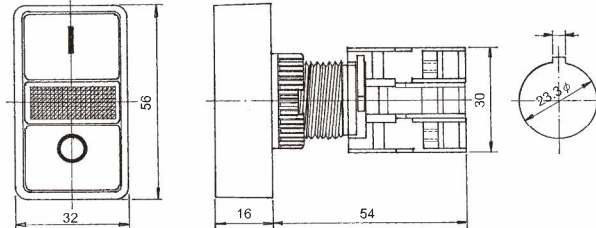


DPB-22N		22	1	10/C	WATER PROOF COVER 																														
<table border="1"> <thead> <tr> <th>Illuminated type</th> <th>Mounting hole</th> <th>Voltage</th> <th>Type of contact</th> </tr> </thead> <tbody> <tr> <td>DPB-22N</td> <td>22: 22φ</td> <td>1: 110V</td> <td>O: N/O (a)</td> </tr> <tr> <td>DPB-25N</td> <td>25: 25φ</td> <td>2: 220V</td> <td>C: N/C (b)</td> </tr> <tr> <td>DPB-30N</td> <td>30: 30φ</td> <td>3: 380V</td> <td>O/C: N/O+N/C</td> </tr> <tr> <td>Push button</td> <td></td> <td>4: 440V</td> <td>1a+1b</td> </tr> <tr> <td>DPB-22</td> <td></td> <td>5: 6V</td> <td></td> </tr> <tr> <td>DPB-25</td> <td></td> <td>6: 12V</td> <td></td> </tr> <tr> <td>DPB-30</td> <td></td> <td>7: 24V</td> <td></td> </tr> </tbody> </table>	Illuminated type	Mounting hole	Voltage	Type of contact		DPB-22N	22: 22φ	1: 110V	O: N/O (a)	DPB-25N	25: 25φ	2: 220V	C: N/C (b)	DPB-30N	30: 30φ	3: 380V	O/C: N/O+N/C	Push button		4: 440V	1a+1b	DPB-22		5: 6V		DPB-25		6: 12V		DPB-30		7: 24V			
Illuminated type	Mounting hole	Voltage	Type of contact																																
DPB-22N	22: 22φ	1: 110V	O: N/O (a)																																
DPB-25N	25: 25φ	2: 220V	C: N/C (b)																																
DPB-30N	30: 30φ	3: 380V	O/C: N/O+N/C																																
Push button		4: 440V	1a+1b																																
DPB-22		5: 6V																																	
DPB-25		6: 12V																																	
DPB-30		7: 24V																																	
DPB		22		10/C																															

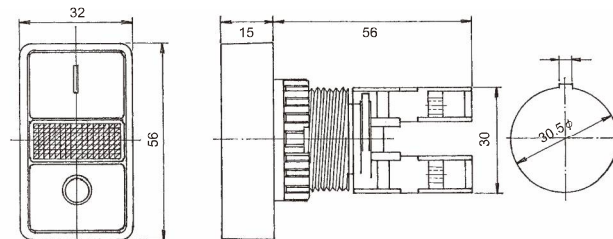
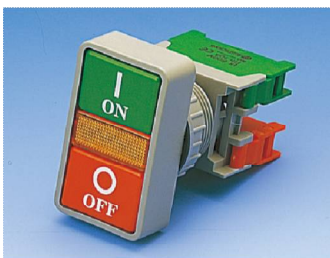
DPB-22
DPB-25



DPB-22N, Illuminated
DPB-25N



DPB-30N



DPB-30N, Illuminated

