

Limit Switches

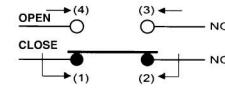
FEATURES

- Wide choice of heads and actuators
- Variety of operating characteristics.
- Captive cover screws.
- Dustproof, Oil-Tight, Water-Resistant.
- Stainless steel essentials.
- Standard size & dimensions, 1/2" conduit entry.
- Temperature range +15 F to +175 F (-10 C to +80 C).

RATING

10A	125 or 300 VAC (resistive)
0.8A	125 VDC (resistive)
0.4A	250 VDC
1/2HP	125 VAC
1HP	250 VAC

CIRCUITRY



All oil tight limit switches are 2 circuit limit switches. 1NO and 1NC circuits. The 1 NO and 1 NC contact arrangement is double break isolated.

CHARACTERISTICS

Operating speed	1mm to 2m/sec.
Operating frequency	Mechanically: 120 operations/min.
Contact resistance	Electrically :30 operations/min.
Insulation resistance	15m Ω max.(initial)
Dielectric strength	100M Ω min. (at 500 VDC) 1,000 VAC, 50/60 Hz for 1 minute between non-continuous terminals 2,200 VAC, 50/60 Hz for 1 minute between each terminal and non-current-carrying metal part and between each terminal and ground
Vibration	Malfunction durability : 10 to 55 Hz 1.5mm double amplitude
Shock	Mechanical durability : Approx. 1,000m/sec ² (approx. 100G's) Malfunction durability : Approx. 300m/sec ² (approx. 30G's)
Ambient operating temperature	Operating : -10 C to +80C
Humidity	95% RH max.
Service life	Mechanically : 15,000,000 operations min. Electrically : 500,000 operations min.
Degree of protection	IEC 529 class IP67

OVERTRAVEL TYPE

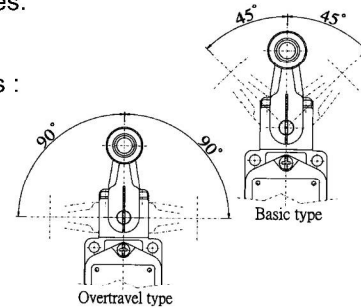
The Overtravel Type is a limit switch which is provided with a greater OT to facilitate dog setting. Since this type is identical to the Basic Type in dimension, both types are interchangeable. The Overtravel Type is classified into two versions-51 series and-52 series.

51 SERIES

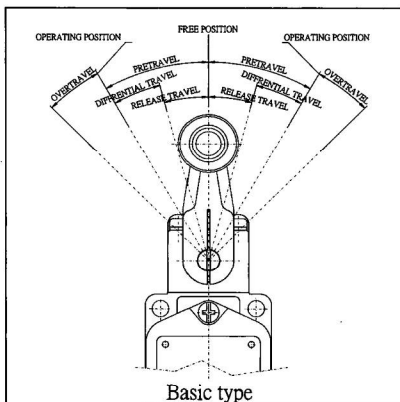
The head of-51 series switch can be installed in any of the four directions : 45o operation on either side-possible

52 SERIES

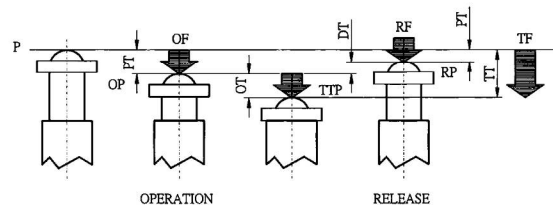
The head of-52 series switch can be installed only in two directions, forward and backward : 90o operation on either side-possible



ROTARY ACTUATION



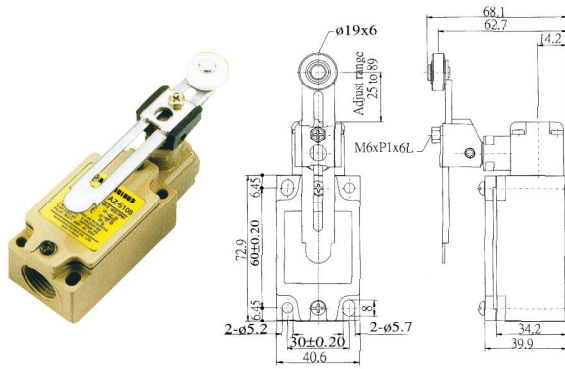
IN-LINE PLUNGER ACTUATION



Characteristics : OF-Operating Force; PT-Pretravel; OT-Over Travel;DT-Differential Travel; RF-Release Force; OP-Operation Position;TF-Travel Force; RP-Release Position; TT-Total Travel

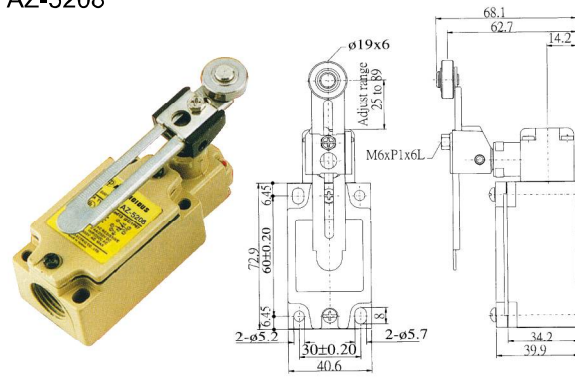
Limit switches

AZ-5108



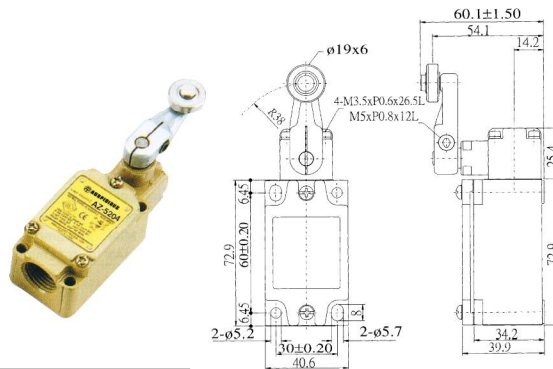
OF MAX	1400g-3 in. lbs.
RF MIN	227g-1/2 lb.
PT MAX	15 to 20
OT MIN	25
DT MAX	12
	TF: Max. 2720g-4 in. lbs.
	TT: Min. 43

AZ-5208



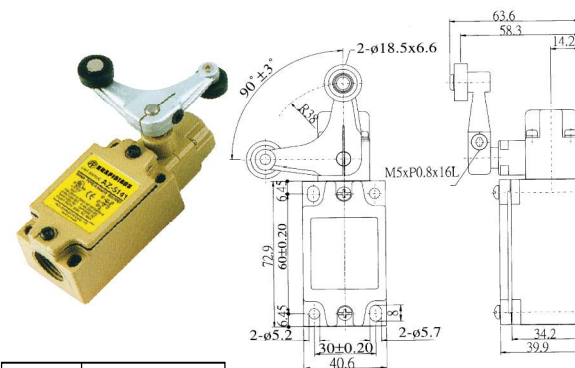
OF MAX	900g-.3 in. lbs.
RF MIN	50g-1/2 lb.
PT MAX	25 to 30
OT MIN	60
DT MAX	16
	TF: Max. 1820g-4 in. lbs.
	TT: 90 +10

AZ-5204



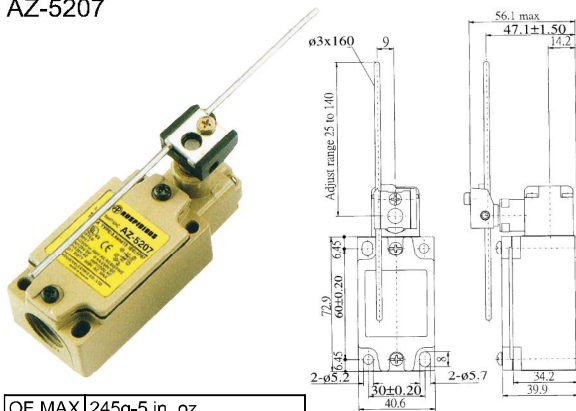
OF MAX	900g-2 in. lbs.
RF MIN	50g-2 in. oz.
PT MAX	25 to 30
OT MIN	60
DT MAX	16
	TT: 90 +10

AZ-5141



OF MAX	1200g-.2 in. Oz.
RF MIN	-
PT MAX	55
OT MIN	35
DT MAX	

AZ-5207



OF MAX	245g-5 in. oz.
RF MIN	25g-1 in. oz.
PT MAX	25 to 30
OT MIN	60
DT MAX	16
	TF: Max. 200g-1/2 in. lbs.
	TT: 90 +10

AZ-5142



AZ-5143



AZ-5144

